



US00D797705S

(12) **United States Design Patent** (10) **Patent No.:** **US D797,705 S**  
**Zheng et al.** (45) **Date of Patent:** **\*\* Sep. 19, 2017**

(54) **STAND**  
(71) Applicant: **SZ DJI Osmo Technology Co., Ltd.**,  
Shenzhen (CN)  
(72) Inventors: **Haibin Zheng**, Shenzhen (CN); **Min Kim**, Shenzhen (CN)  
(73) Assignee: **SZ DJI Osmo Technology Co., Ltd.**,  
Shenzhen (CN)  
(\*\*) Term: **15 Years**  
(21) Appl. No.: **29/553,227**  
(22) Filed: **Jan. 29, 2016**  
(51) **LOC (10) Cl.** ..... **14-03**  
(52) **U.S. Cl.**  
USPC ..... **D14/217**  
(58) **Field of Classification Search**  
USPC ..... D14/217, 432, 434, 439, 440, 447, 451,  
D14/452, 457  
CPC ..... H04M 1/7253; H04M 2250/74; H04M  
15/846; H04M 15/852; H04M 19/04;  
H04M 1/0266; H04M 1/6016; H04M  
1/725; H04M 1/72519; H04M 1/72563;  
H04M 1/72583; H04M 2201/39; H04M  
2201/40; H04M 2203/252; H04M  
2203/253; H04M 2203/355; H04M  
2250/12; H04M 3/2281; H04M 3/42153;  
H04M 3/42178; H04M 3/42204; H04M  
3/42391; H04M 3/4936  
See application file for complete search history.

(56) **References Cited**  
U.S. PATENT DOCUMENTS  
D553,106 S \* 10/2007 Griffin ..... D14/217  
D660,287 S \* 5/2012 McManigal ..... D14/217

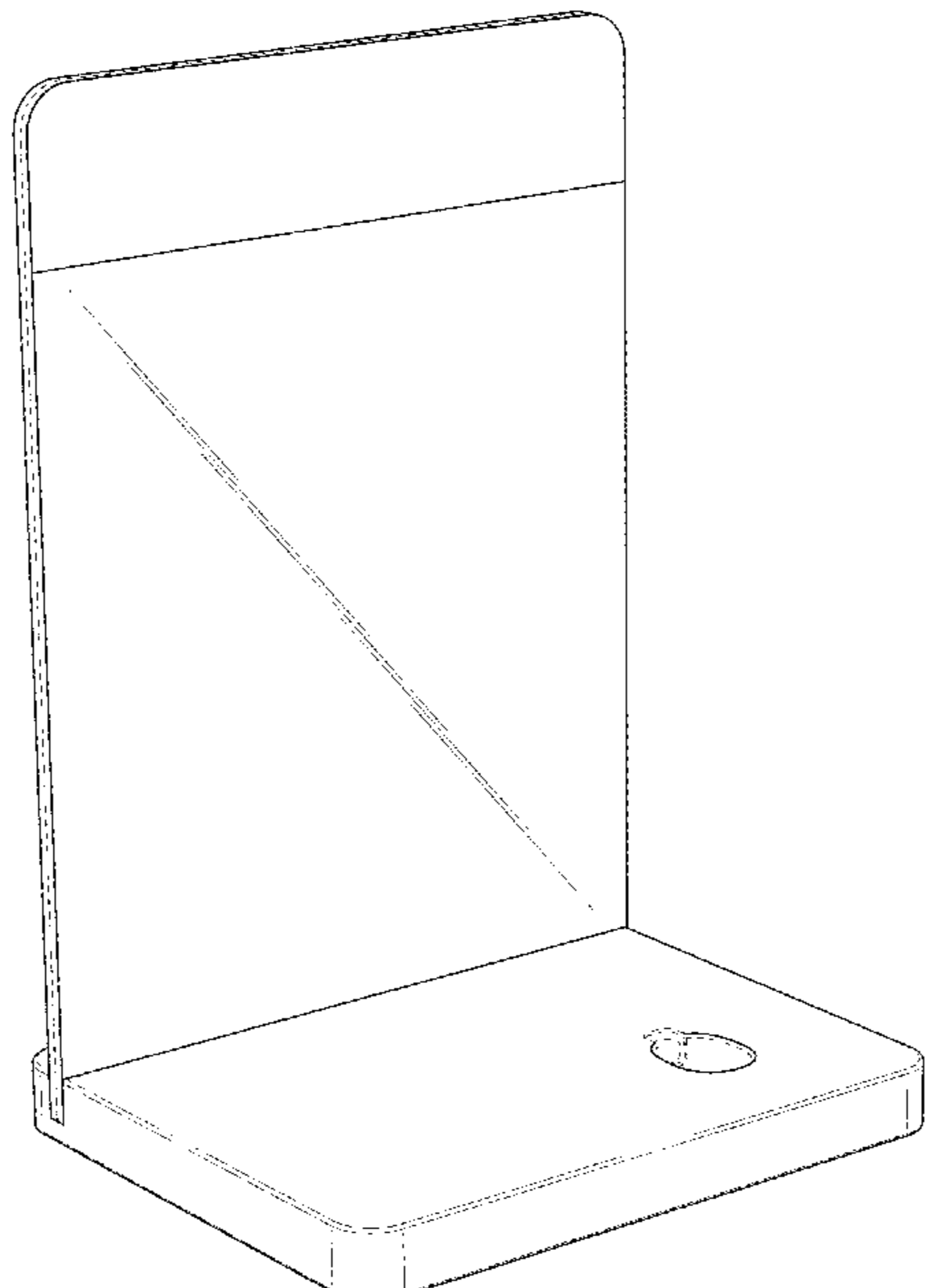
D672,783 S \* 12/2012 Robinson ..... D14/447  
D683,141 S \* 5/2013 Symons ..... D14/447  
D687,832 S \* 8/2013 Edwards ..... D14/447  
D709,075 S \* 7/2014 Miniard ..... D14/447  
D711,870 S \* 8/2014 Johnson ..... D14/307  
D755,796 S \* 5/2016 Gibson ..... D14/447  
D760,724 S \* 7/2016 Kang ..... D14/447  
D765,623 S \* 9/2016 Yang ..... D14/224  
D767,575 S \* 9/2016 Green ..... D14/447  
D771,635 S \* 11/2016 Kuo ..... D14/434  
D772,216 S \* 11/2016 Lau ..... D13/108  
D782,490 S \* 3/2017 Lee ..... D14/447  
2012/0074271 A1 \* 3/2012 Goetz ..... F16M 13/00  
248/121

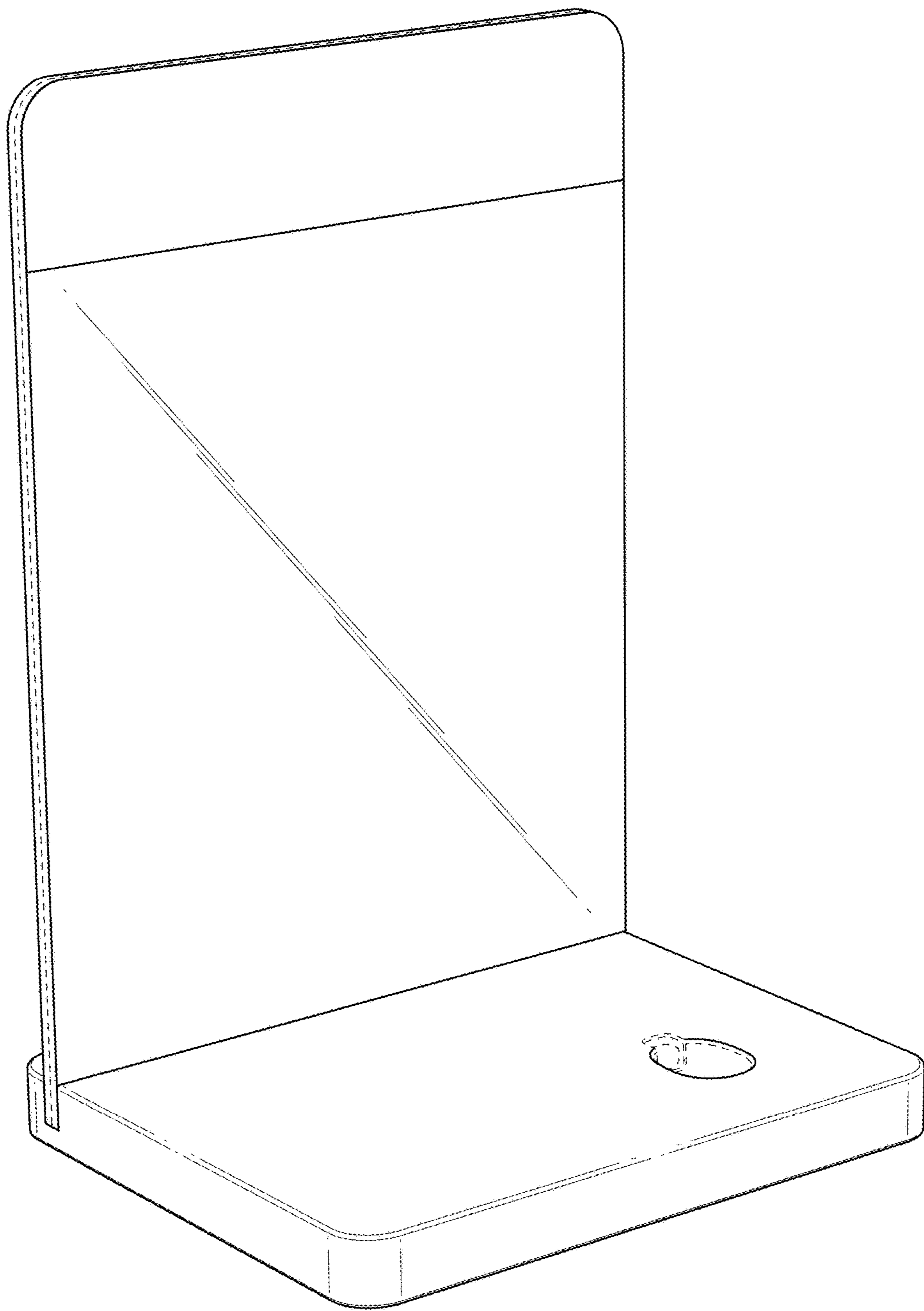
\* cited by examiner  
*Primary Examiner* — Ian Simmons  
*Assistant Examiner* — Khawaja Anwar  
(74) *Attorney, Agent, or Firm* — Sterne, Kessler,  
Goldstein & Fox P.L.L.C.

(57) **CLAIM**  
The ornamental design for a stand, as shown and described.

**DESCRIPTION**  
FIG. 1 is a top front perspective view of a stand showing the claimed design;  
FIG. 2 is a rear perspective view thereof;  
FIG. 3 is a front view thereof;  
FIG. 4 is a rear view thereof;  
FIG. 5 is a right side view thereof;  
FIG. 6 is a left side view thereof;  
FIG. 7 is a top view thereof; and,  
FIG. 8 is a bottom view thereof.  
The broken lines in the figures show portions of the stand that form no part of the claimed design.  
The shade lines in the figures show contour and not surface ornamentation.

**1 Claim, 8 Drawing Sheets**





**FIG. 1**

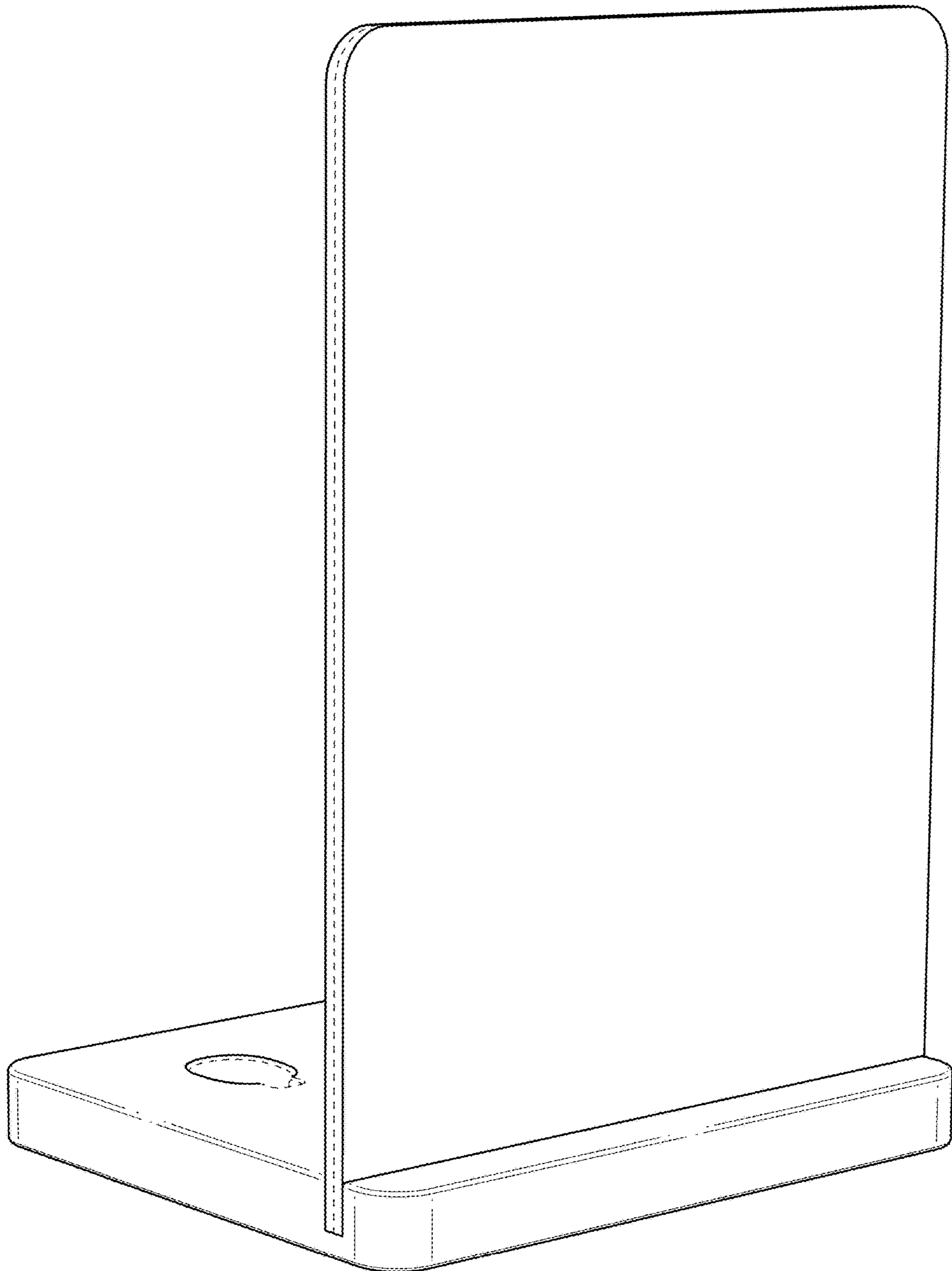


FIG. 2

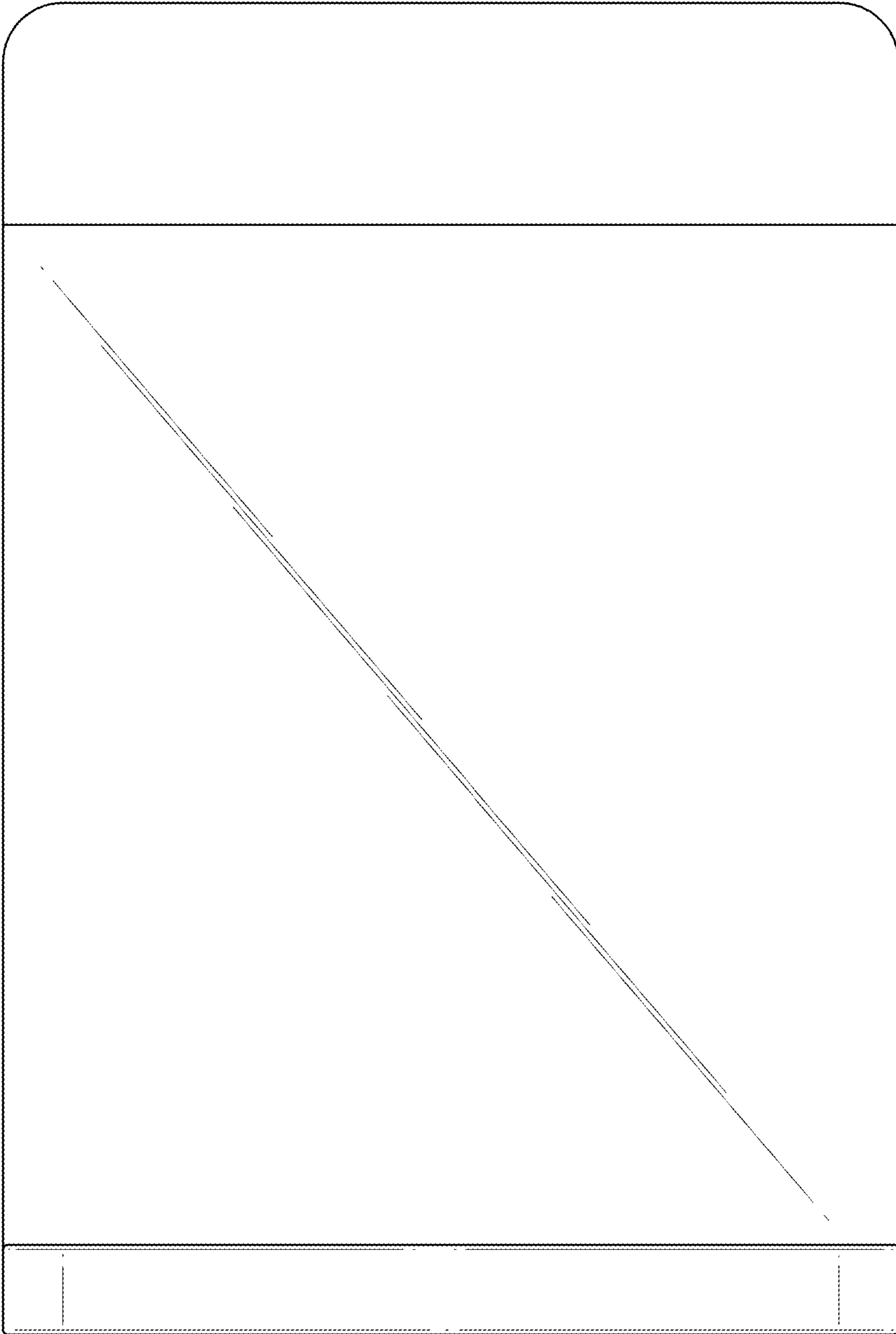
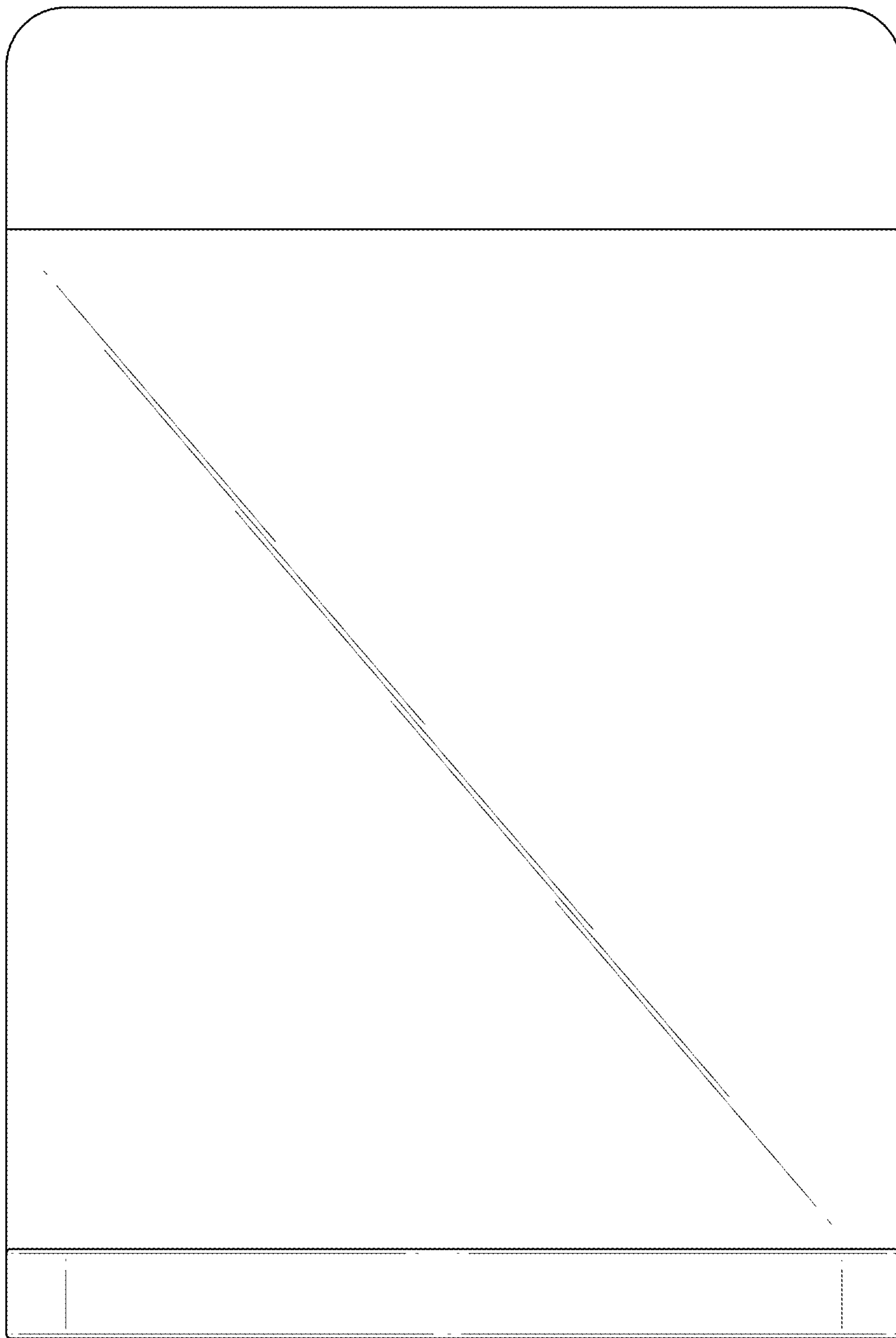
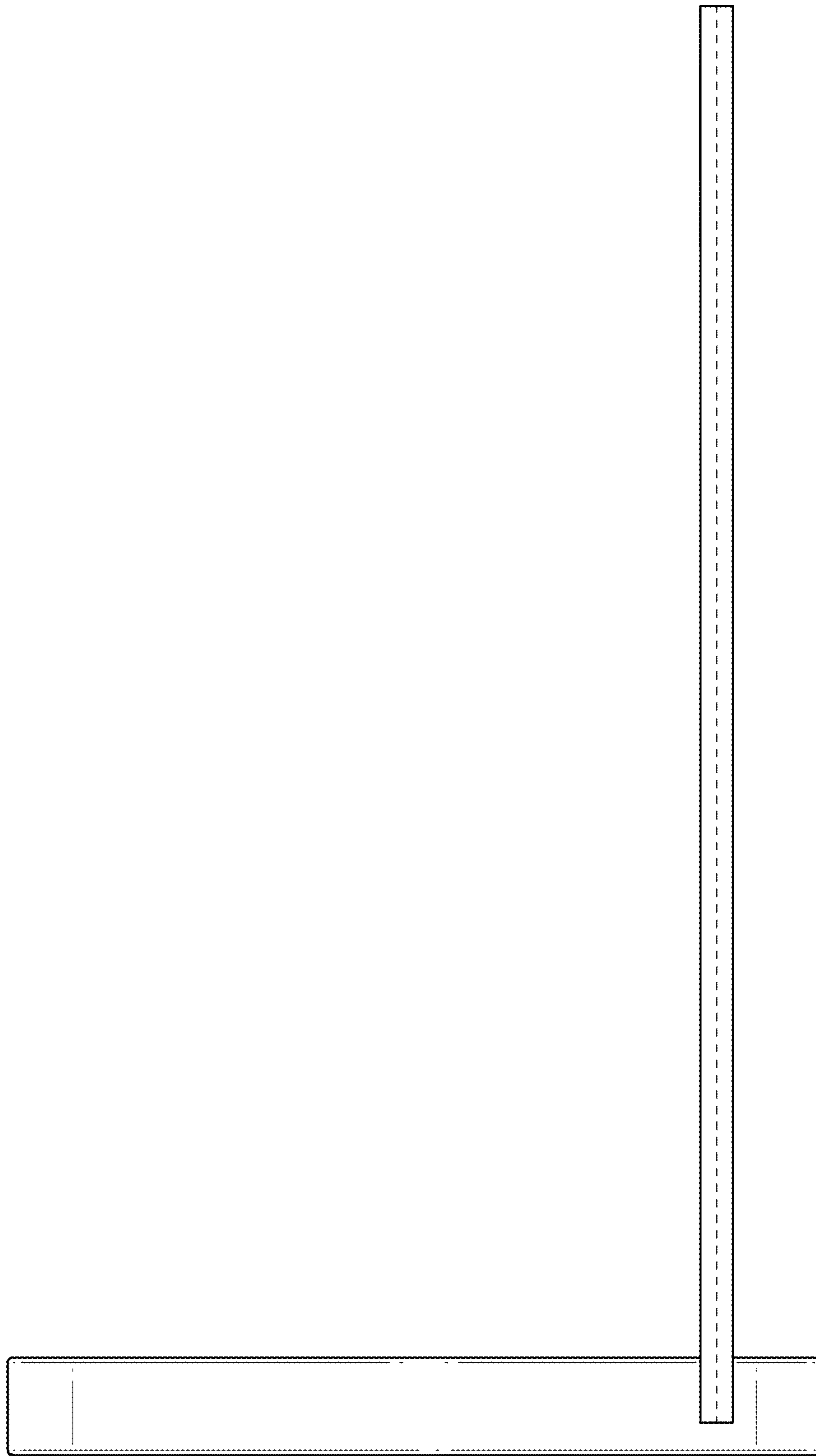


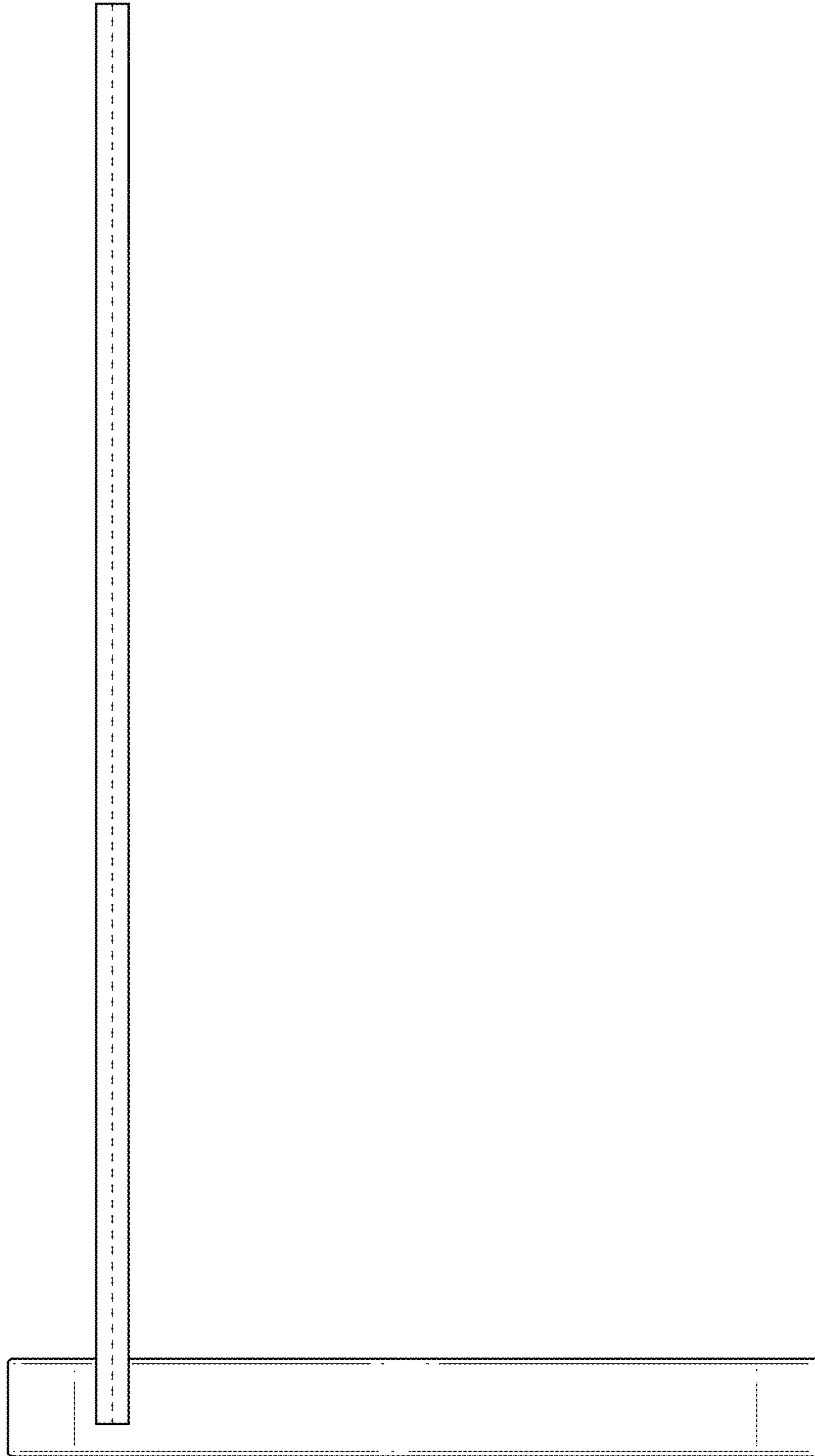
FIG. 3



**FIG. 4**



**FIG. 5**



**FIG. 6**

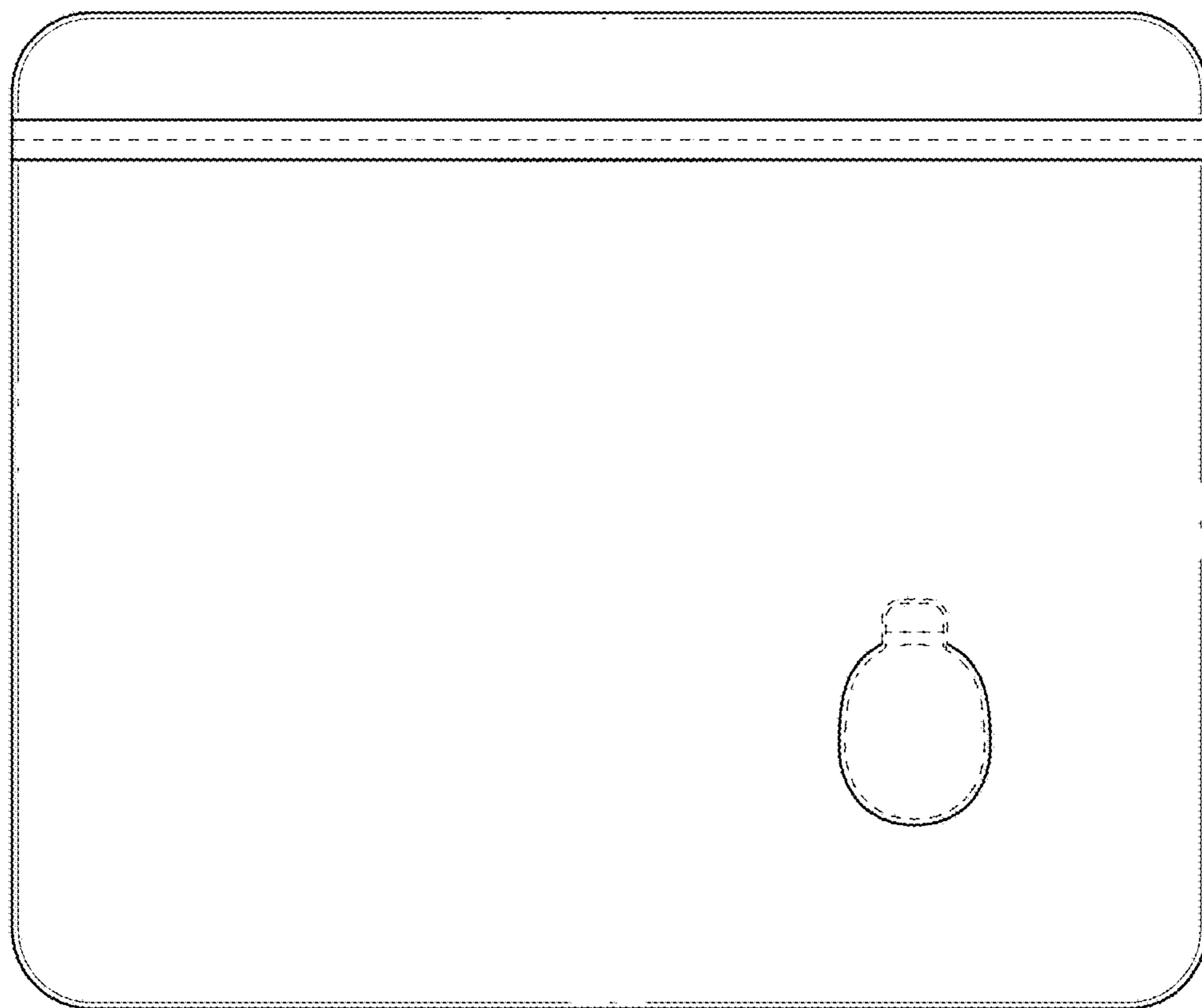
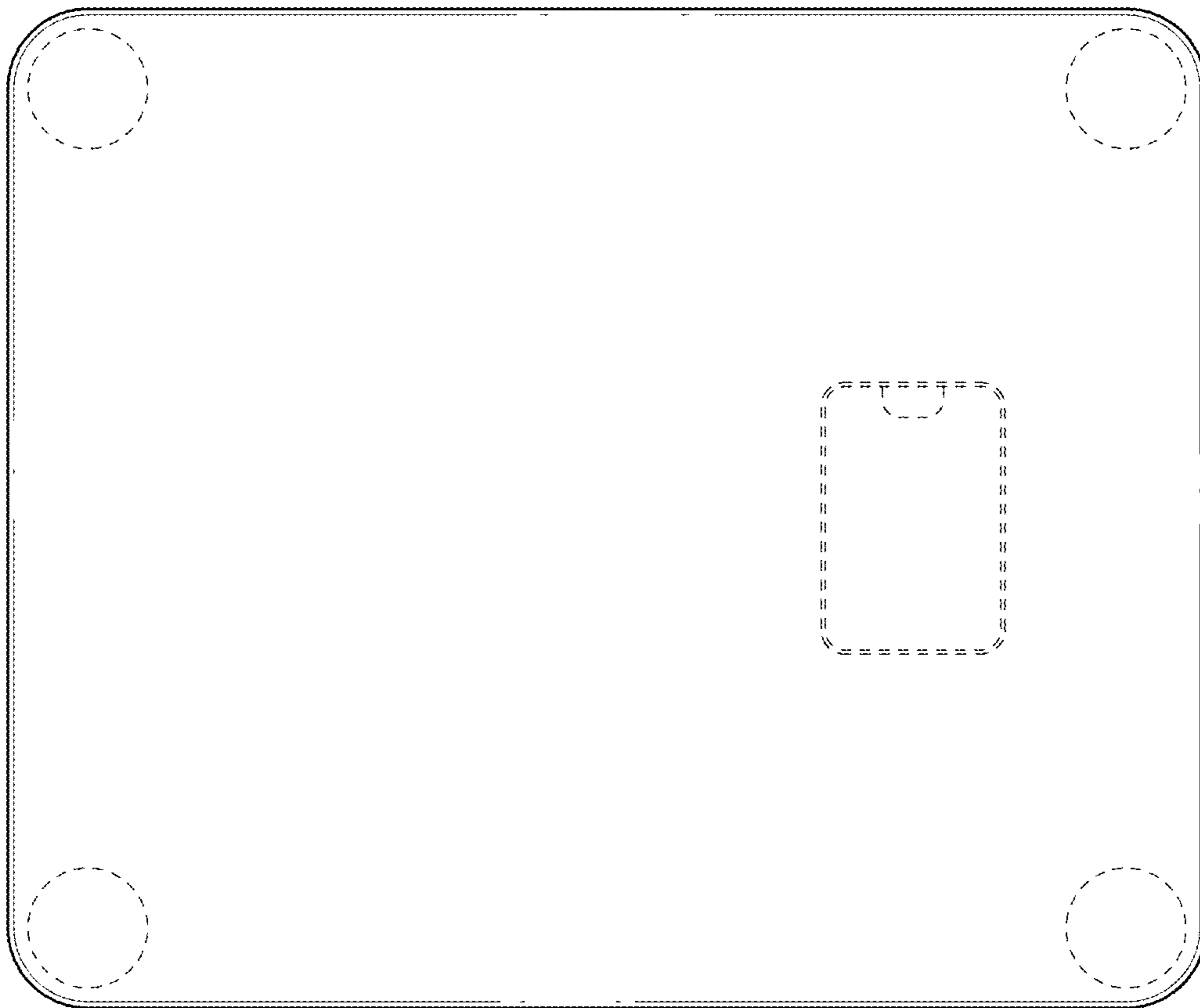


FIG. 7





**FIG. 8**