



US00D797704S

(12) **United States Design Patent**
Fischer et al.

(10) **Patent No.:** **US D797,704 S**
(45) **Date of Patent:** **** Sep. 19, 2017**

- (54) **PORTABLE AUDIO SPEAKER**
- (71) Applicant: **Harman International Industries, Incorporated**, Northridge, CA (US)
- (72) Inventors: **Joshua Fischer**, Shenzhen (CN); **Cyrille Rouffiat**, Shenzhen (CN)
- (73) Assignee: **Harman International Industries, Incorporated**, Northridge, CA (US)
- (**) Term: **15 Years**
- (21) Appl. No.: **29/563,540**
- (22) Filed: **May 5, 2016**

Related U.S. Application Data

- (63) Continuation of application No. 29/550,255, filed on Dec. 31, 2015.
- (51) **LOC (10) Cl.** **14-01**
- (52) **U.S. Cl.**
USPC **D14/216**
- (58) **Field of Classification Search**
USPC D14/216, 204, 192, 218, 230, 137, 138, D14/496, 156, 167, 211, 212-214, D14/170-172, 188, 194, 209.1; 379/430, 379/431; 381/150, 153, 154, 198, 199, 381/334; 455/90.3
CPC ... H04R 1/10; H04R 1/02; H04R 1/20; H04R 25/00; H05K 5/00
See application file for complete search history.

(56) **References Cited**

U.S. PATENT DOCUMENTS

- D215,675 S * 10/1969 Yian D13/114
- 3,965,544 A * 6/1976 Boden F16G 11/101
24/115 M
- D274,619 S * 7/1984 Glicher D14/189
- 4,620,317 A * 10/1986 Anderson H04R 1/345
181/155

- 4,691,383 A * 9/1987 DeMars H04B 1/086
379/430
- D295,173 S * 4/1988 Oren D14/168
- 4,804,972 A * 2/1989 Schudel H01Q 19/13
343/840
- D304,944 S * 12/1989 Behringer D14/188
- D314,574 S * 2/1991 Kato D14/163
- D317,768 S * 6/1991 Davidson D14/216
- D325,207 S * 4/1992 Dix D14/188
- D327,690 S * 7/1992 Ogawa D14/230
- D346,598 S * 5/1994 McCay D14/137
- D358,149 S * 5/1995 Fellingner D14/138 AB
- D383,983 S * 9/1997 Steinhagen D10/22
- D391,572 S * 3/1998 Lee D14/192
- D417,452 S * 12/1999 Wu D14/192
- D434,403 S * 11/2000 Jaynes D14/138 R

(Continued)

Primary Examiner — Paula Greene

(74) *Attorney, Agent, or Firm* — Plumsea Law Group, LLC

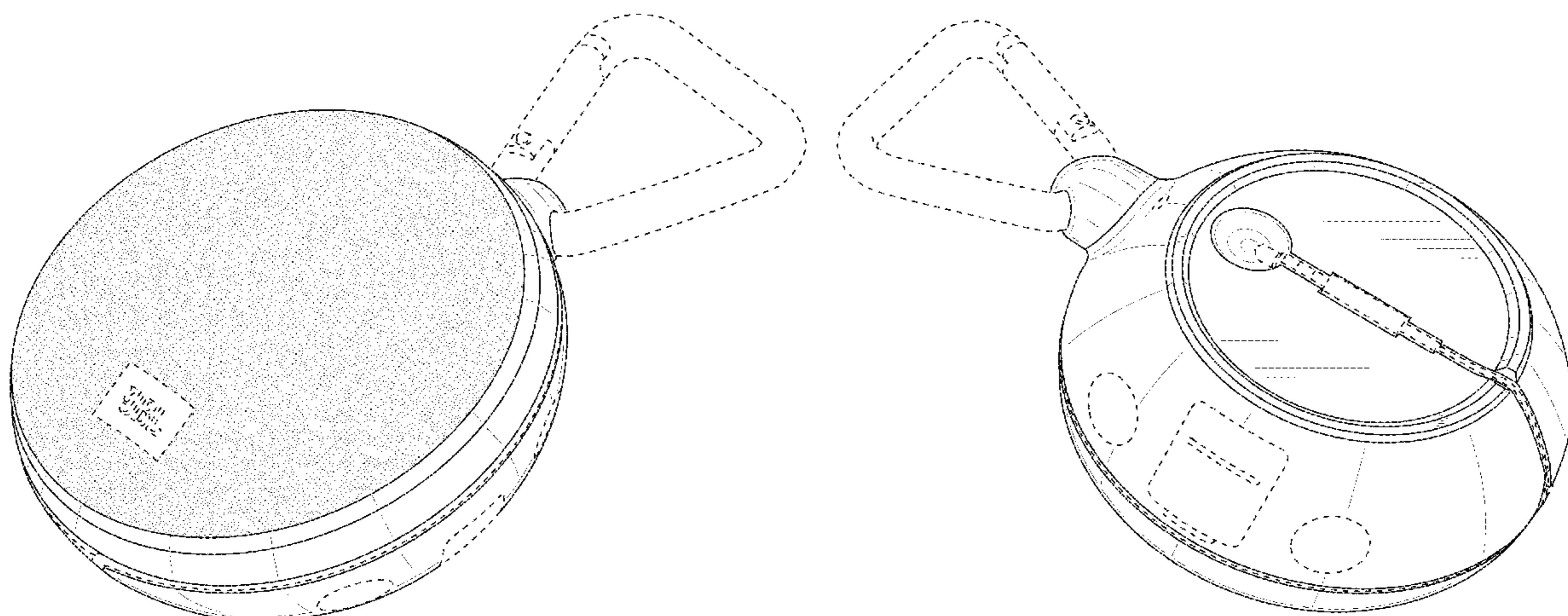
(57) **CLAIM**

The ornamental design for portable audio speaker, as shown and described.

DESCRIPTION

FIG. 1 is a perspective view of a portable audio speaker system showing our new design;
 FIG. 2 is a rear perspective view thereof;
 FIG. 3 is a bottom plan view thereof;
 FIG. 4 is a top plan view thereof;
 FIG. 5 is a side elevational view of one side thereof;
 FIG. 6 is a side elevational view of the opposite side thereof;
 FIG. 7 is a front elevational view thereof; and,
 FIG. 8 is a rear elevational view thereof.
 The broken lines immediately adjacent the shaded areas represent the bounds of the claimed design while all other broken lines are directed to environment that form no part of the claimed design.

1 Claim, 8 Drawing Sheets



(56)

References Cited

U.S. PATENT DOCUMENTS

D465,469 S * 11/2002 Heath D10/104.1
6,728,518 B1 * 4/2004 Scrivens H04B 1/086
455/347
D494,633 S * 8/2004 Nussberger D21/324
D502,694 S * 3/2005 Chang D14/188
D511,157 S * 11/2005 Johnson D14/223
D512,406 S * 12/2005 Shimizu D14/167
D512,417 S * 12/2005 Hirakawa D14/223
D516,541 S * 3/2006 Bhavnani D14/192
D518,030 S * 3/2006 Lin D14/218
D526,642 S * 8/2006 Choe D14/205
D534,889 S * 1/2007 Cheng D14/138 R
D542,280 S * 5/2007 Taylor D14/218
D554,614 S * 11/2007 Lin D14/509
D557,682 S * 12/2007 Oas D14/192
D567,694 S * 4/2008 Myers D10/121
D577,356 S * 9/2008 Moon D14/168
D596,159 S * 7/2009 Yamaji D14/209.1
D596,622 S * 7/2009 Lee D14/218
D597,514 S * 8/2009 Gencarella D14/138 AC
D598,003 S * 8/2009 Park D14/149

D601,564 S * 10/2009 Maeno D14/400
D602,911 S * 10/2009 Wang D14/216
D608,541 S * 1/2010 Myers D3/215
D609,213 S * 2/2010 Yeo D14/203.1
D625,295 S * 10/2010 Nogueira D14/218
D632,262 S * 2/2011 Feldstein D13/164
D633,085 S * 2/2011 Chiu D11/5
D643,412 S * 8/2011 Brady D14/218
D643,414 S * 8/2011 Lee D14/205
D645,818 S * 9/2011 Guccione D13/108
D647,810 S * 11/2011 Bohrer D10/106.9
D671,528 S * 11/2012 Fathollahi D14/211
D683,350 S * 5/2013 Jarosinski D11/3
D726,687 S * 4/2015 Minarik D14/192
D727,297 S * 4/2015 Valeur D14/216
D733,889 S * 7/2015 Brandis D24/174
D749,666 S * 2/2016 Ahdoot D14/218
D752,024 S * 3/2016 Kachwalla D14/216
D756,957 S * 5/2016 Nylen D14/204
D768,114 S * 10/2016 Hou D13/168
D768,597 S * 10/2016 Andre D14/204
2013/0028457 A1 * 1/2013 Yeh H04R 1/10
381/334

* cited by examiner

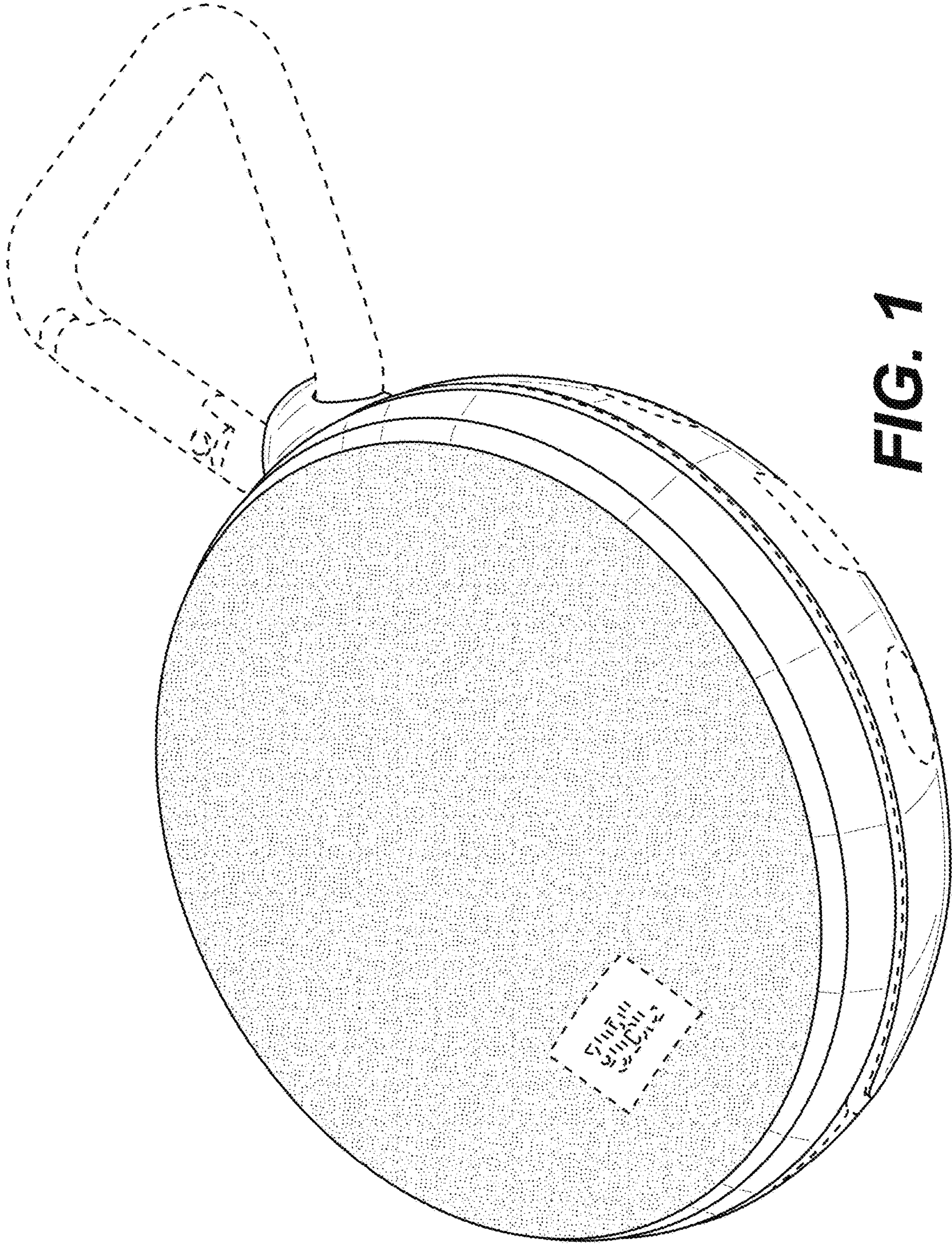


FIG. 1

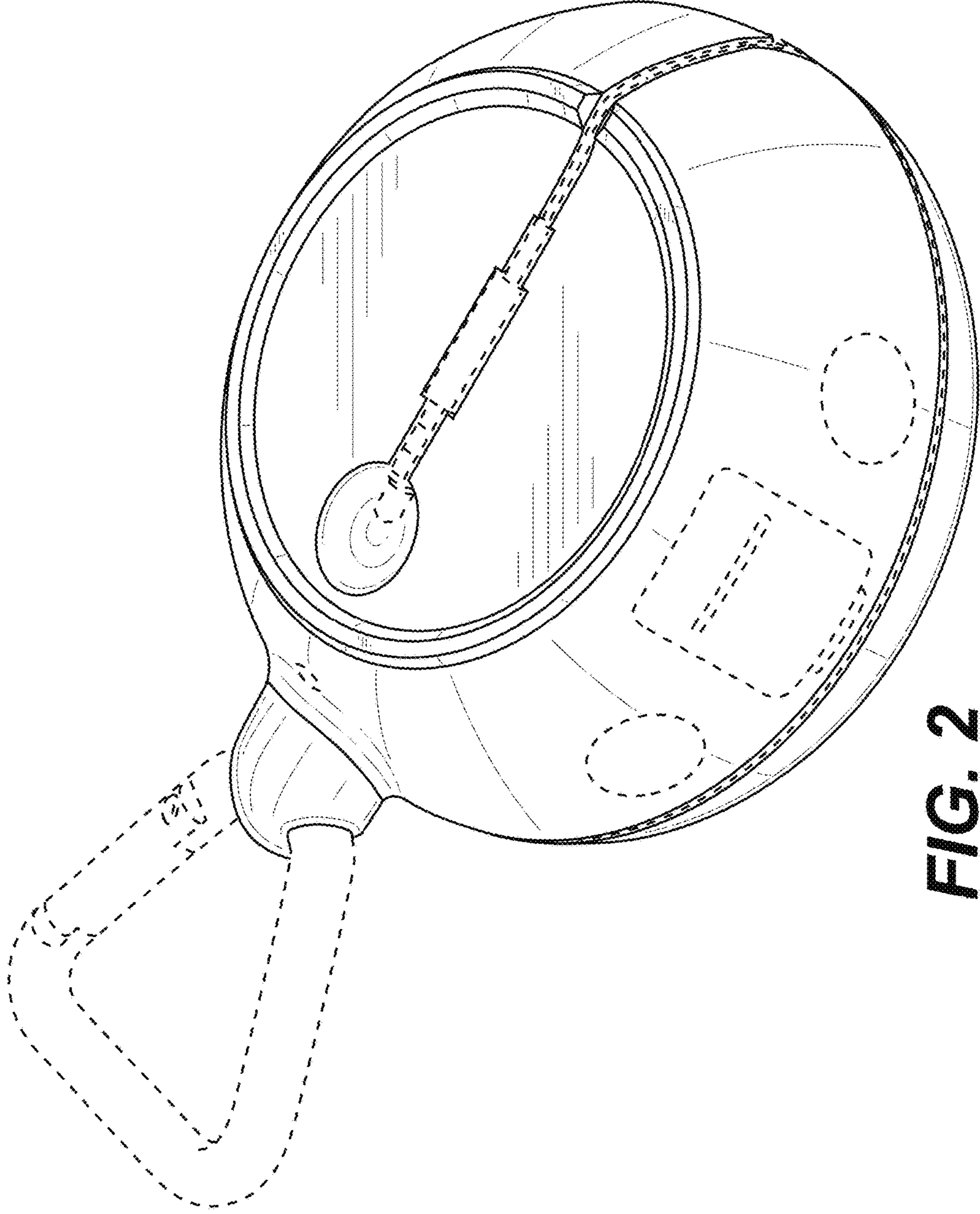


FIG. 2

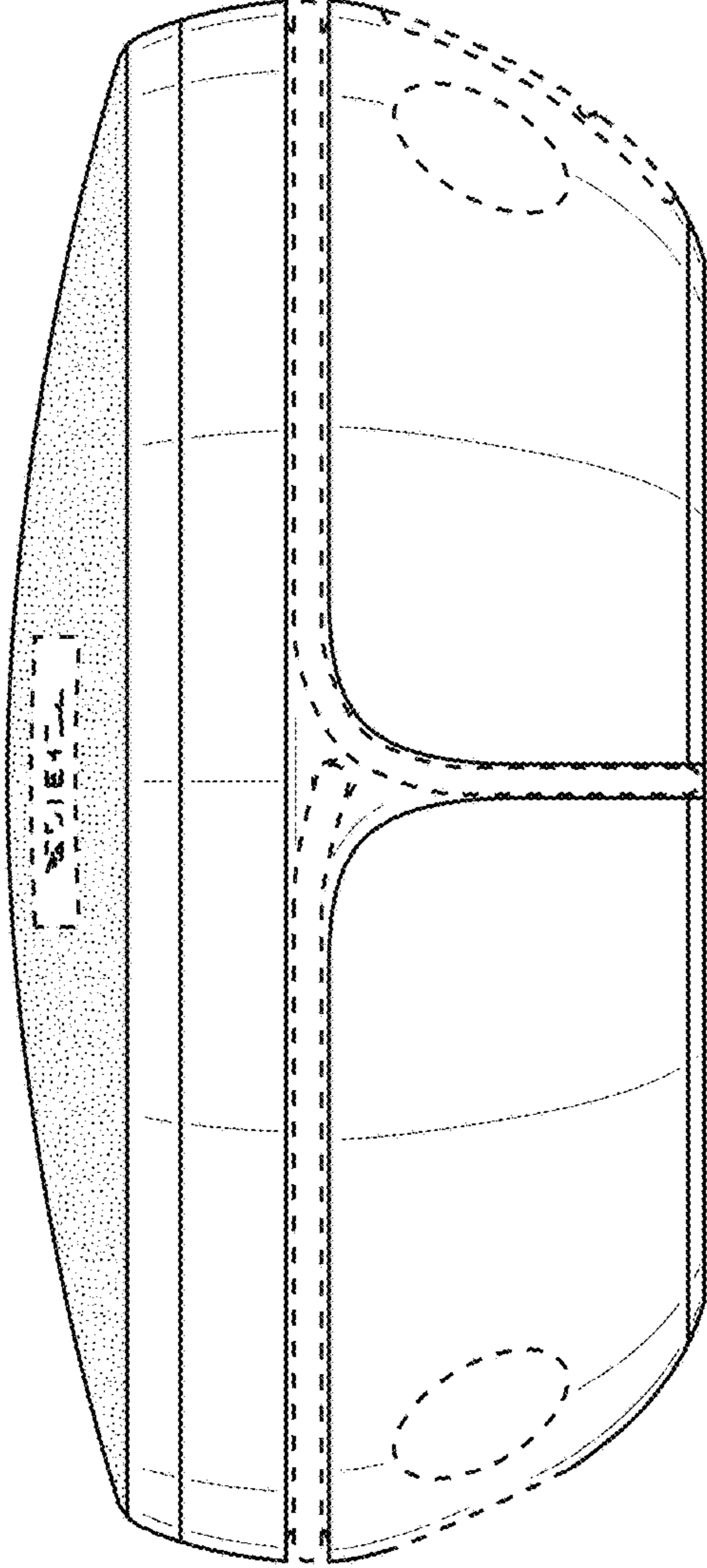


FIG. 3

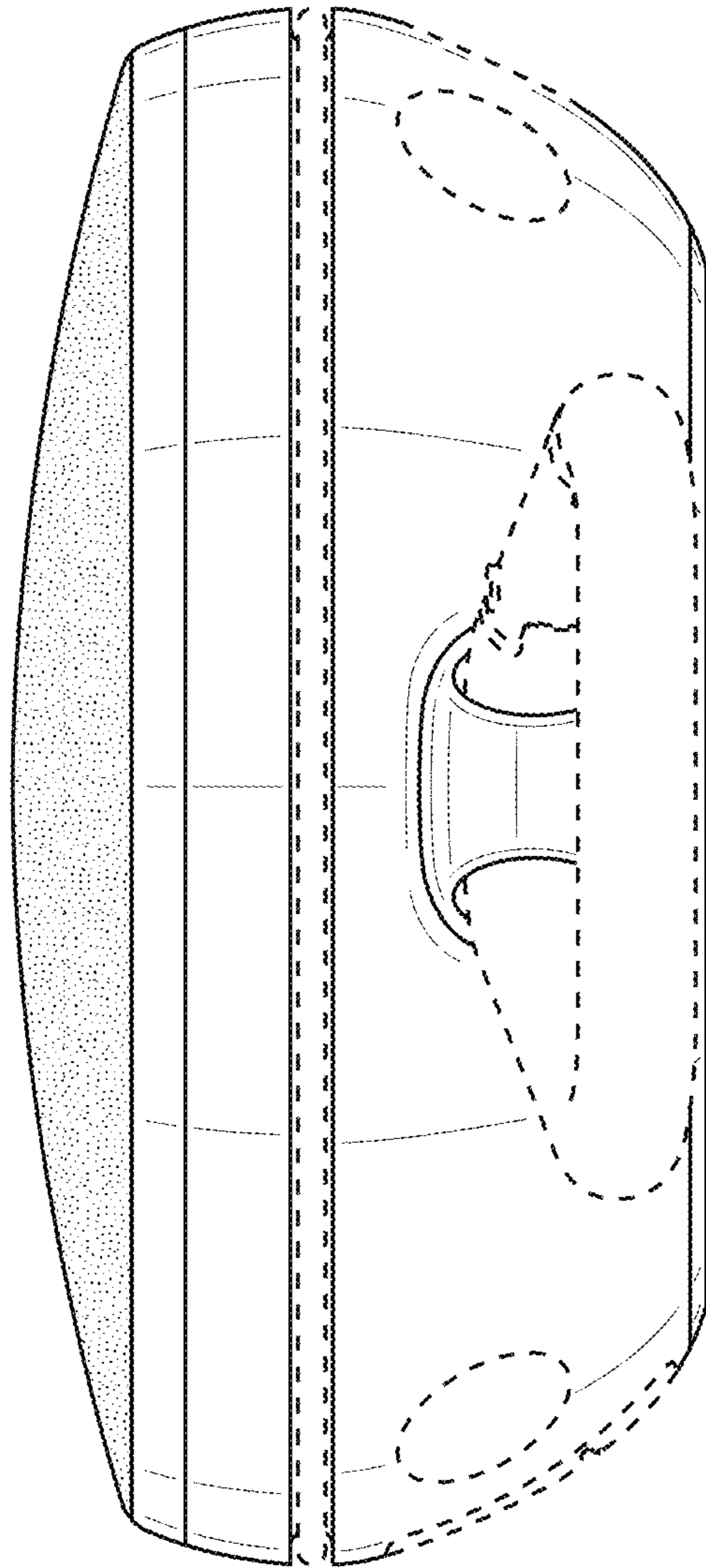


FIG. 4

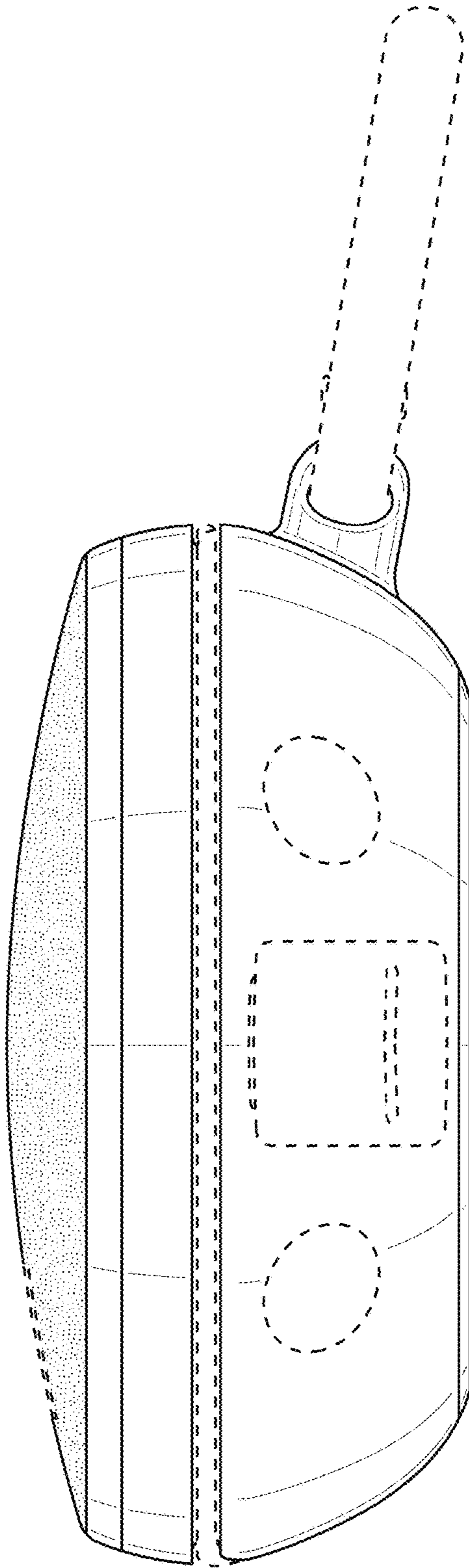


FIG. 5

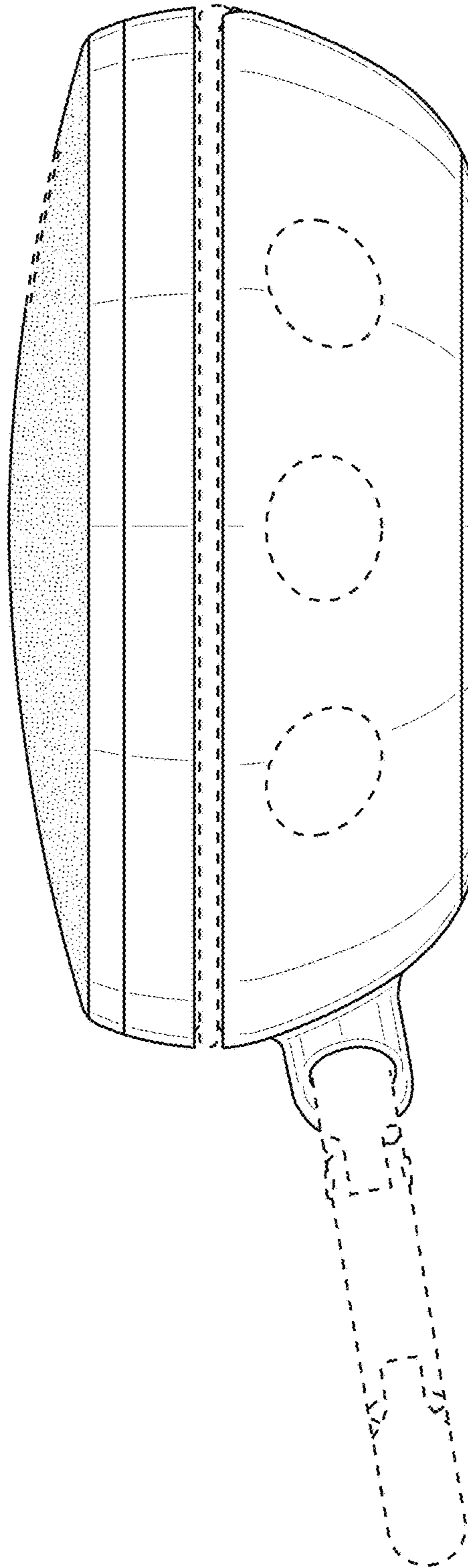


FIG. 6

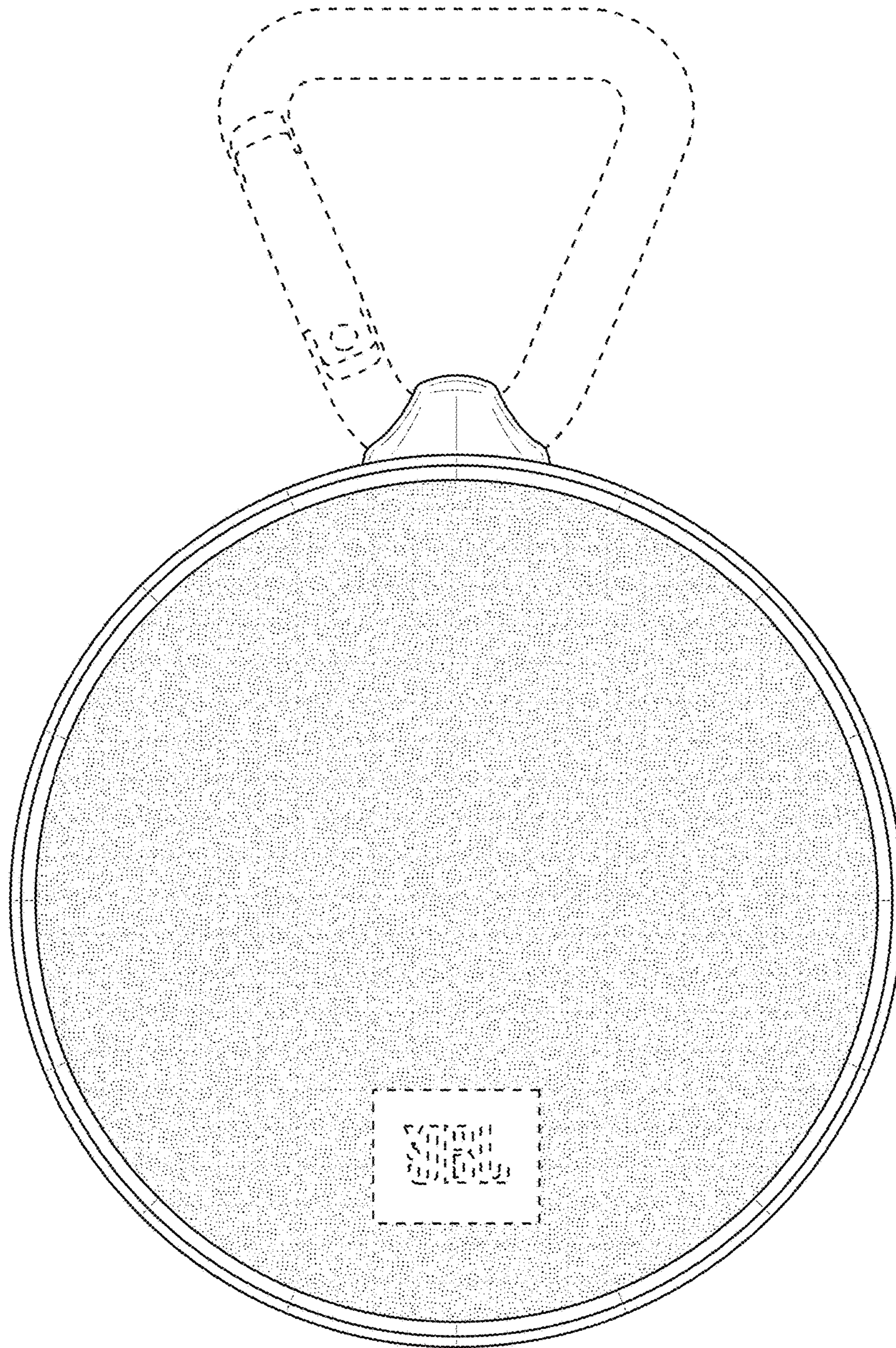


FIG. 7

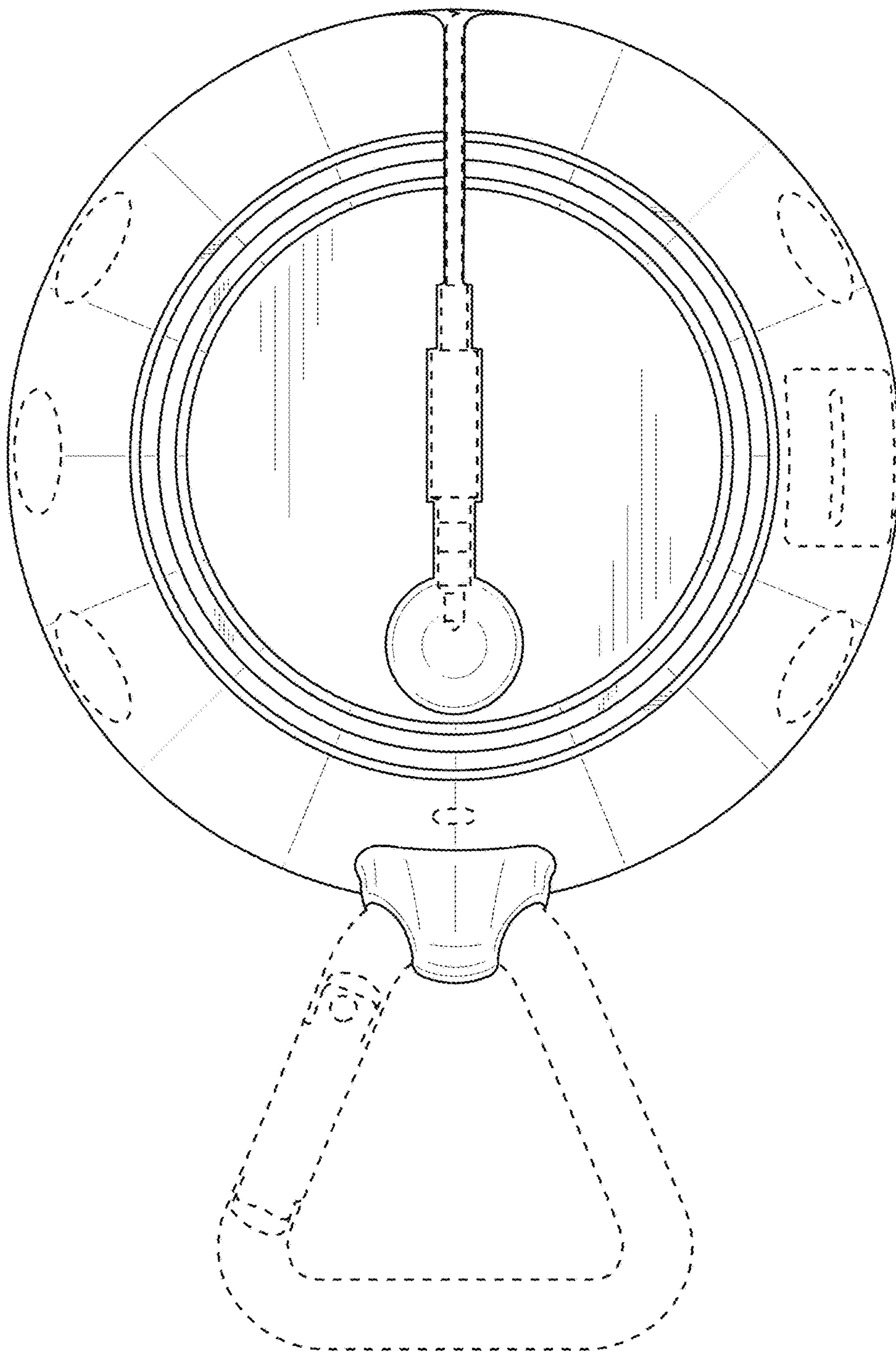


FIG. 8