

US00D797702S

(12) **United States Design Patent** (10) **Patent No.:** **US D797,702 S**
Valeur (45) **Date of Patent:** **** Sep. 19, 2017**

(54) **LOUDSPEAKER**
(71) Applicant: **Bang & Olufsen A/S**, Struer (DK)
(72) Inventor: **Torsten Valeur**, Copenhagen N (DK)
(73) Assignee: **Bang & Olufsen A/S**, Struer (DK)
(**) Term: **15 Years**
(21) Appl. No.: **29/559,876**
(22) Filed: **Mar. 31, 2016**

D276,519 S * 11/1984 Hobrough D14/214
D347,225 S * 5/1994 Lowy D14/204
D620,475 S * 7/2010 Graber D14/212
D638,400 S * 5/2011 Hawkins D14/214
D641,340 S * 7/2011 Huh D14/214
8,311,261 B2 * 11/2012 Graber H04R 1/403
381/182
D680,517 S * 4/2013 Khoo D14/213
D692,860 S * 11/2013 Paterson D14/214
9,242,764 B2 * 1/2016 Zetterlund H04R 1/026
2015/0131835 A1 * 5/2015 Huang H04R 1/028
381/338

(30) **Foreign Application Priority Data**

Dec. 23, 2015 (EM) 002921437-0001
Dec. 23, 2015 (EM) 002921437-0002

(51) **LOC (10) Cl.** **14-01**

(52) **U.S. Cl.**
USPC **D14/212**; D14/214

(58) **Field of Classification Search**
USPC D14/168, 188, 194, 195, 196, 204, 210,
D14/211, 212, 213, 214, 215, 216;
D26/26, 51, 52
CPC B60R 11/0217; G06F 1/1688; G10K 9/22;
G10K 11/004; H03F 1/327; H04M 1/03;
H04M 1/035; H04N 5/642; H04N
21/4852; H04S 3/00; H04S 7/30; H04R
1/02; H04R 1/06; H04R 1/021; H04R
1/025; H04R 1/026; H04R 1/028; H04R
1/105; H04R 1/323; H04R 1/403; H04R
1/2803; H04R 1/2834; H04R 5/02; H04R
7/20; H04R 9/06; H04R 9/025; H04R
2201/021; H04R 2400/00; H04R 2400/07;
H04R 2499/11; H04R 2499/13; H04R
2499/15

See application file for complete search history.

(56) **References Cited**

U.S. PATENT DOCUMENTS

D236,010 S * 7/1975 Carroll D14/214
D264,075 S * 4/1982 Levy D14/210

OTHER PUBLICATIONS

Bang and Olufsen's BeoSound 35, announced Jan. 6, 2016 [online], [site visited Mar. 1, 2017]. Available from internet, URL: <https://www.engadget.com/2016/01/06/bang-and-olufsen-beosound-35-hands-on/>.*

* cited by examiner

Primary Examiner — Keli L Hill
Assistant Examiner — Karra S Johnson
(74) *Attorney, Agent, or Firm* — Dykema Gossett PLLC

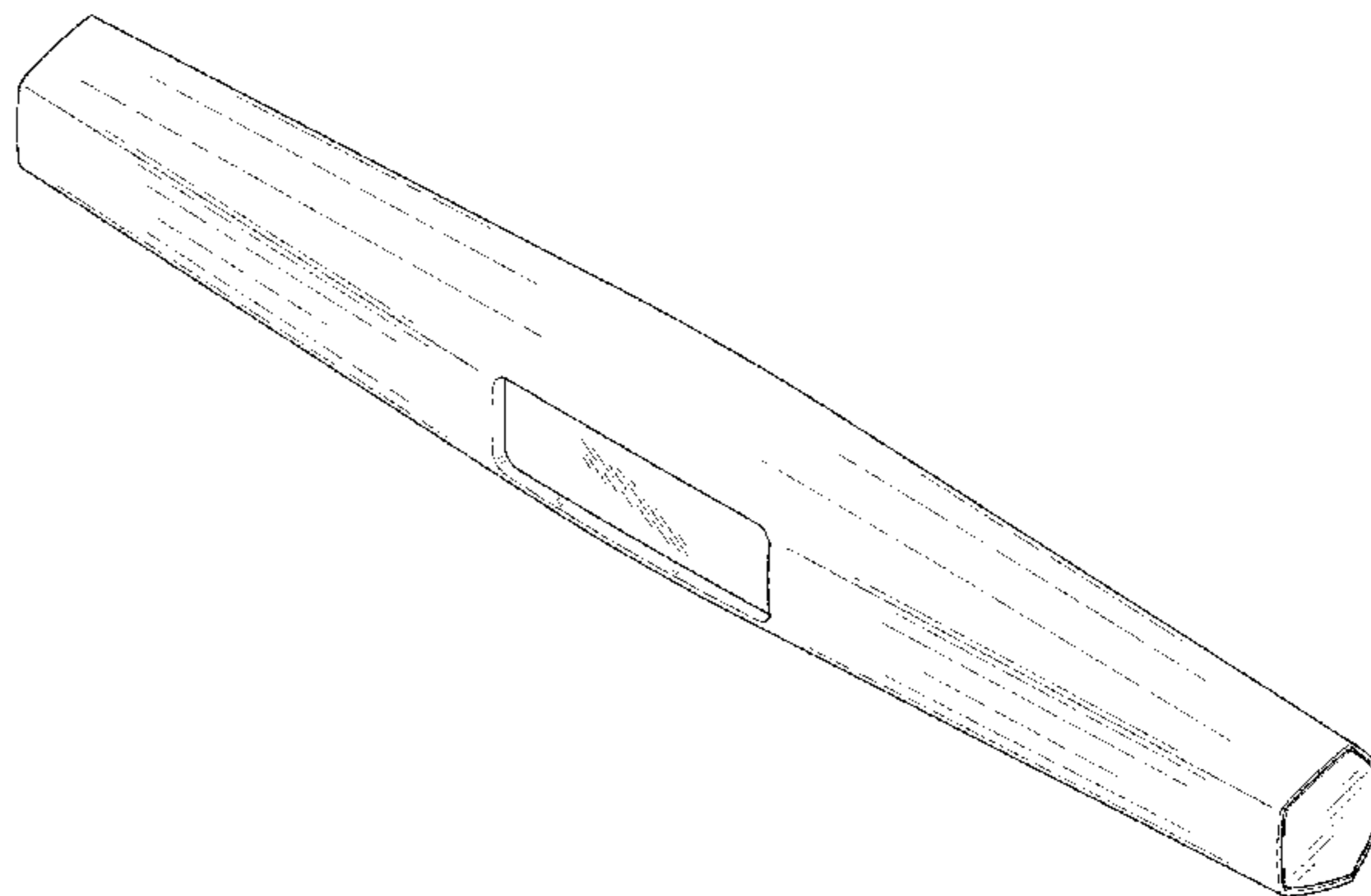
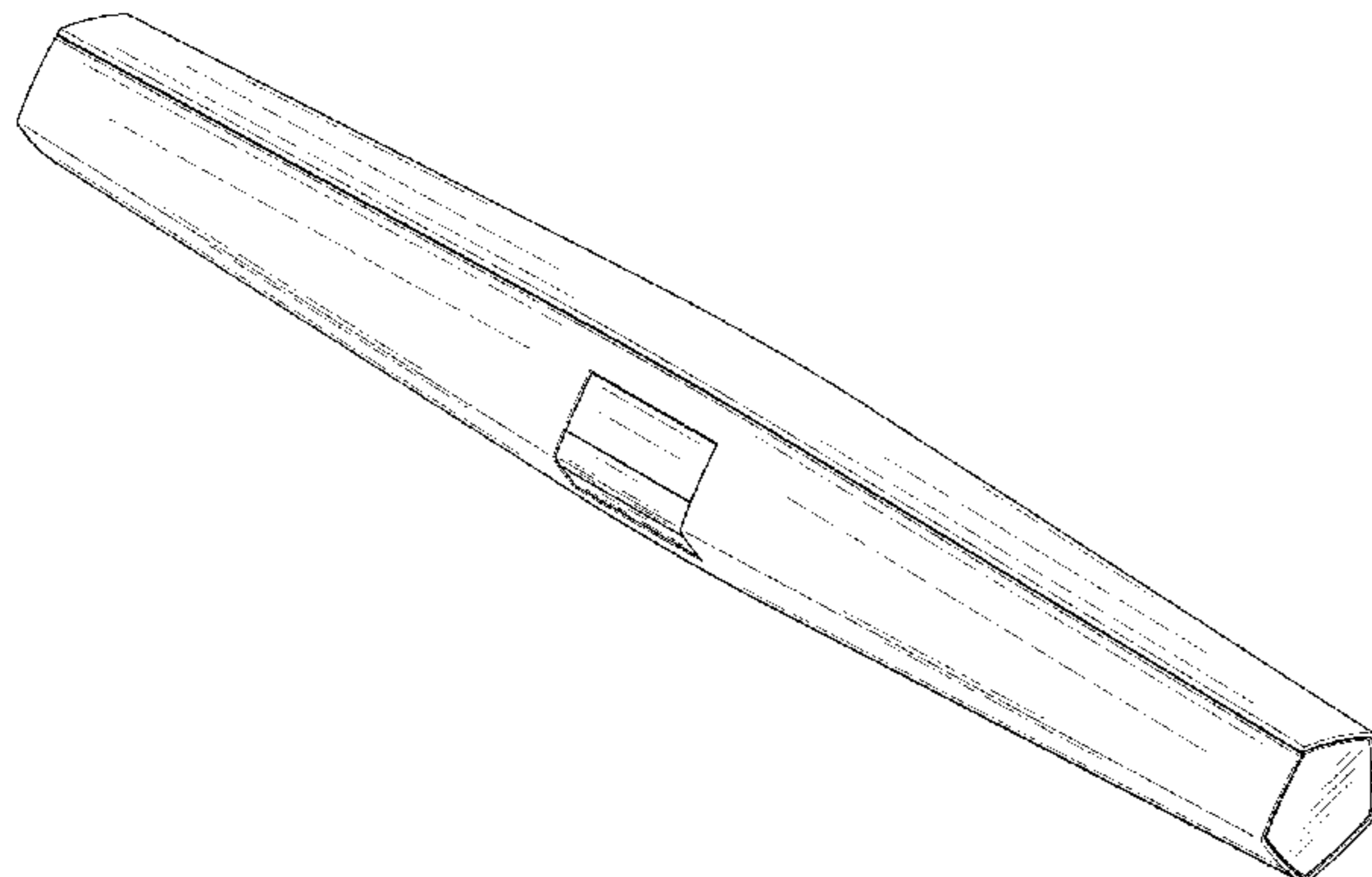
(57) **CLAIM**

The ornamental design for a loudspeaker, as shown and described.

DESCRIPTION

FIG. 1 is a front-top-left perspective view of a first embodiment of a loudspeaker showing my design;
FIG. 2 is a rear-top-right perspective view of FIG. 1;
FIG. 3 is a front elevation view of FIG. 1;
FIG. 4 is a rear elevation view of FIG. 1;
FIG. 5 is a left side elevation view of FIG. 1;
FIG. 6 is a right side elevation view of FIG. 1;
FIG. 7 is a top view of FIG. 1; and,
FIG. 8 is a bottom view of FIG. 1.

1 Claim, 5 Drawing Sheets



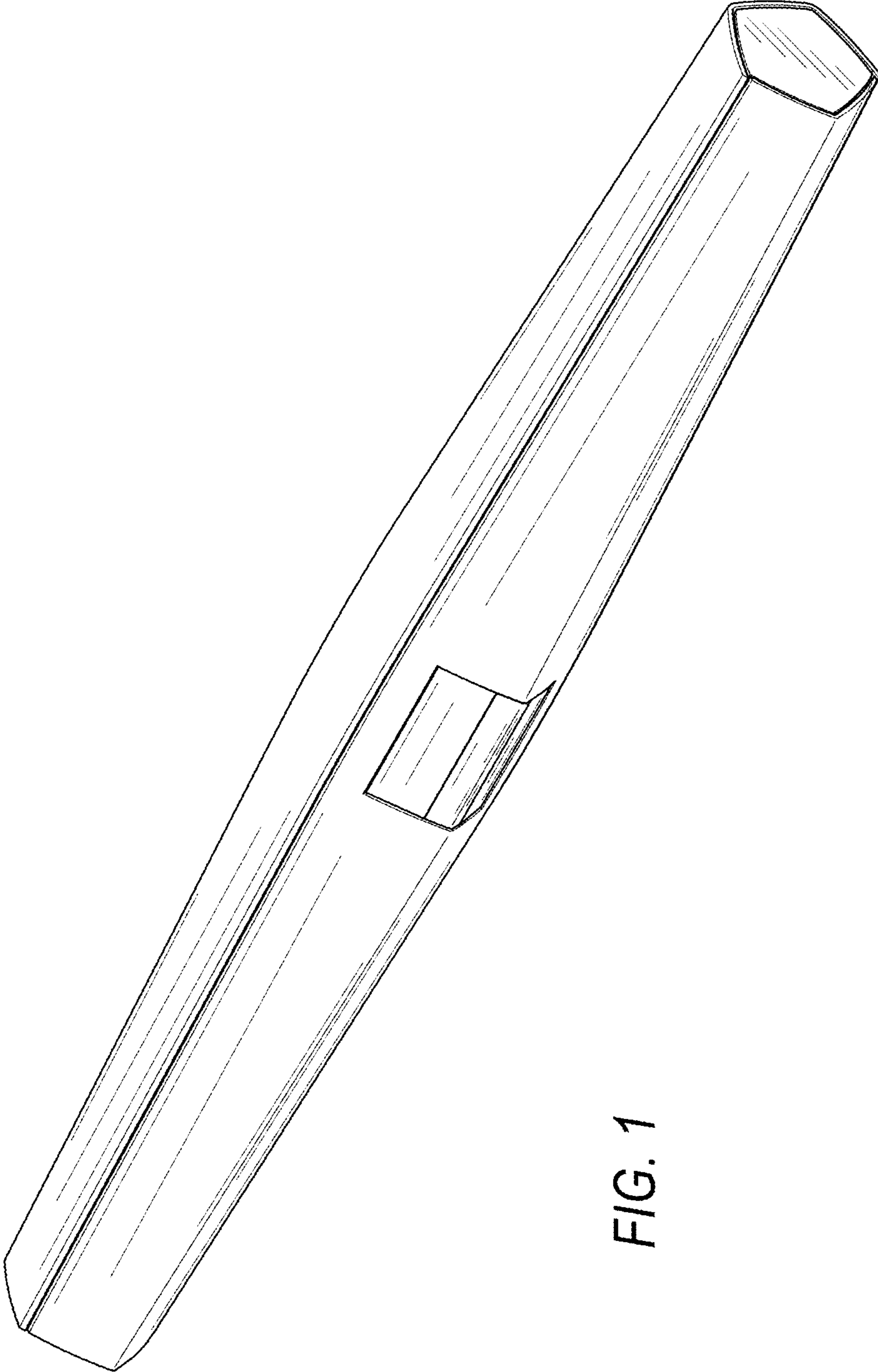


FIG. 1

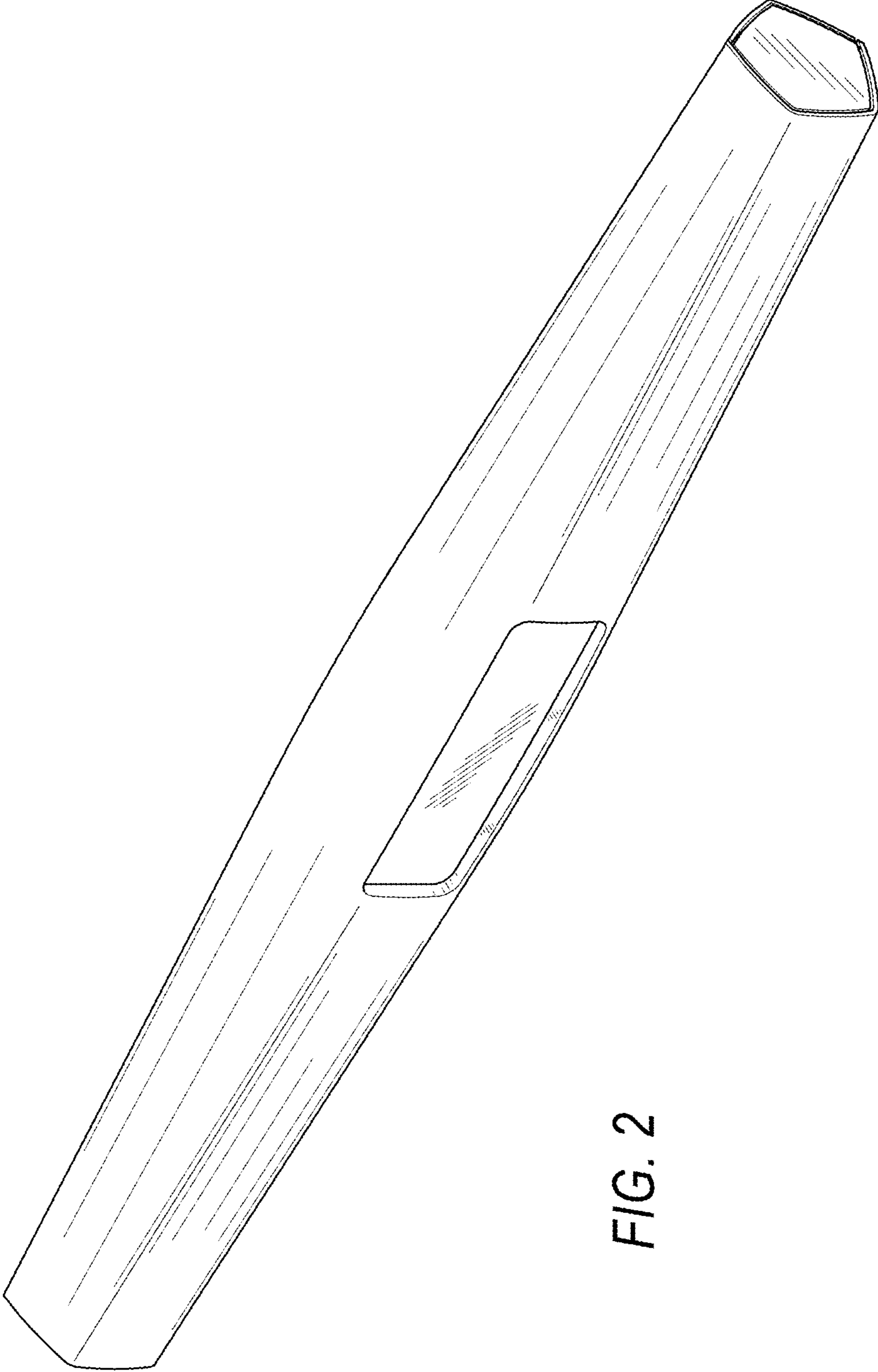


FIG. 2

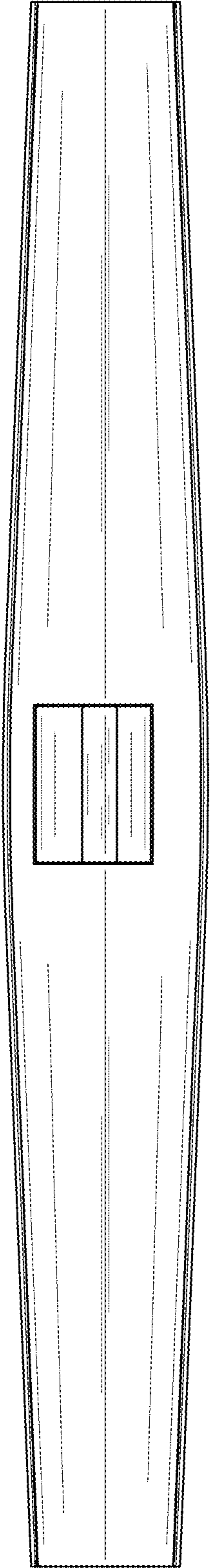


FIG. 3

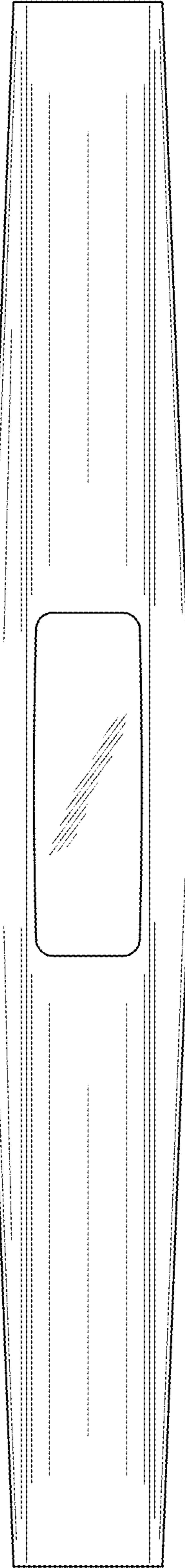


FIG. 4

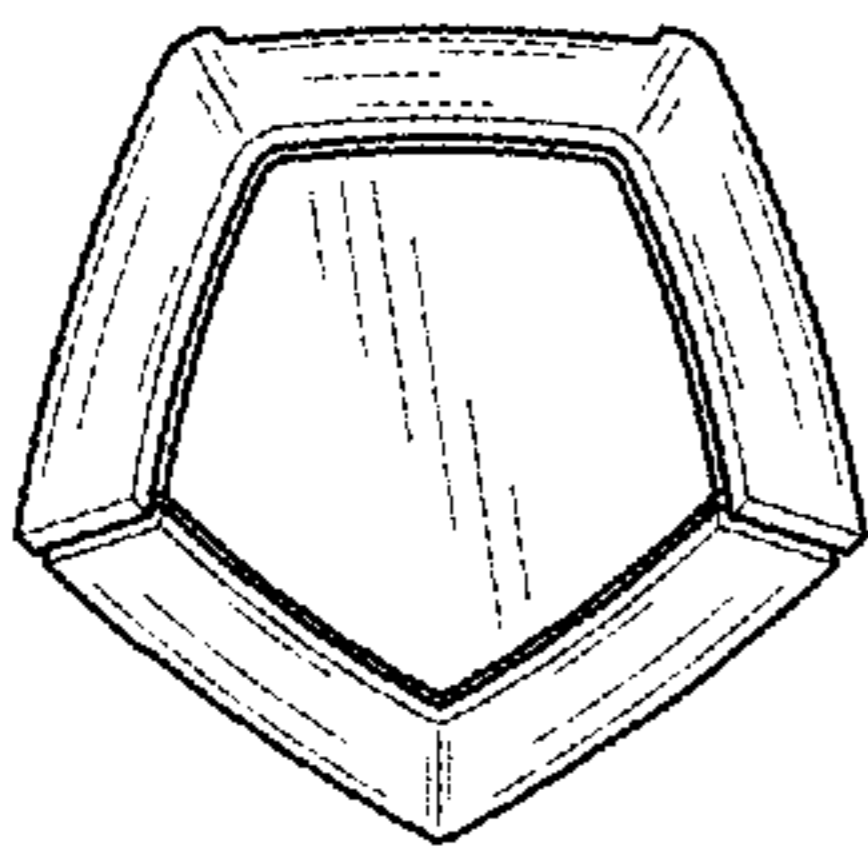


FIG. 5

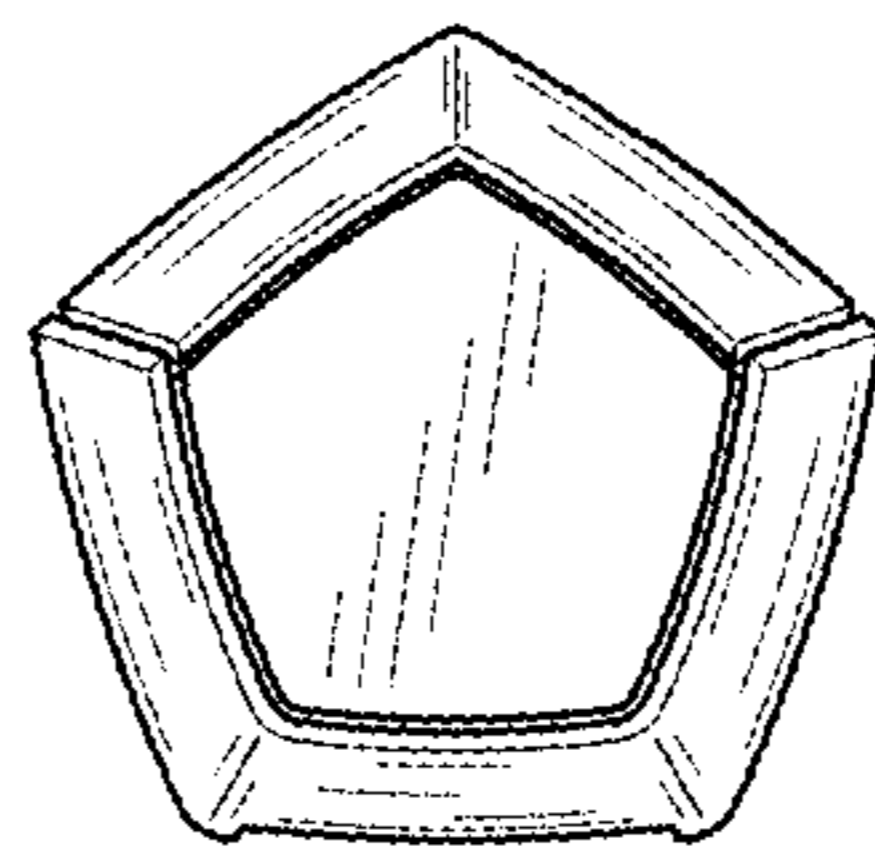


FIG. 6

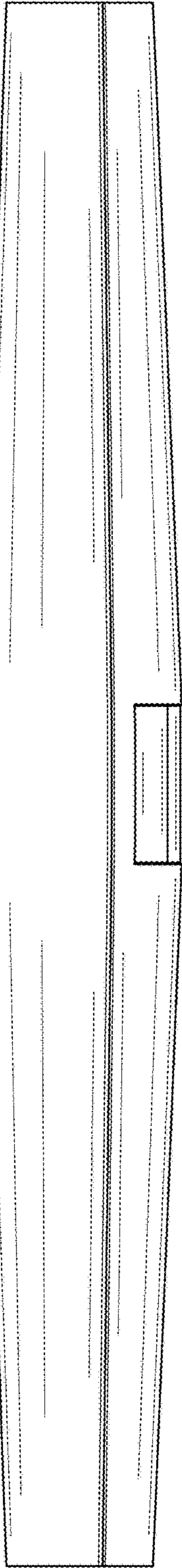


FIG. 7

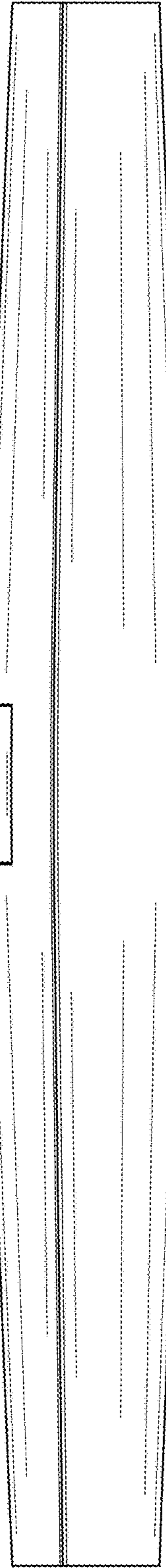


FIG. 8