

US00D797700S

(12) **United States Design Patent** (10) **Patent No.:** **US D797,700 S**  
**Kuramoto** (45) **Date of Patent:** **\*\* Sep. 19, 2017**

(54) **DIGITAL AUDIO PLAYER**

- (71) Applicant: **Pioneer DJ CORPORATION**,  
Yokohama-shi, Kanagawa (JP)
- (72) Inventor: **Takahiro Kuramoto**, Yokohama (JP)
- (73) Assignee: **Pioneer DJ CORPORATION**,  
Yokohama-shi, Kanagawa (JP)
- (\*\*) Term: **15 Years**

- (21) Appl. No.: **29/574,769**
- (22) Filed: **Aug. 18, 2016**
- (51) **LOC (10) Cl.** ..... **14-03**
- (52) **U.S. Cl.**  
USPC ..... **D14/203.4; D21/330**
- (58) **Field of Classification Search**  
USPC ..... D14/496, 497, 401, 435, 474, 483, 217,  
D14/137, 138, 160, 168, 356,  
D14/203.1–203.8, 507; D21/324–333,  
D21/369, 385; 273/148 B; 710/1, 5, 8;  
713/1, 600; 455/1.1, 1.7, 73, 344–347,  
455/93, 95, 3.01–3.06, 550.1, 573.1;  
370/342–344; 369/1, 2, 6–12;  
463/29–35, 46, 47  
CPC ..... G06F 1/00; G06F 1/1633; G06F 1/1613;  
G06F 1/16; H05K 5/00; A63F 9/00  
See application file for complete search history.

(56) **References Cited**

**U.S. PATENT DOCUMENTS**

- 4,521,021 A \* 6/1985 Dixon ..... A63F 11/00  
108/28
- D333,493 S \* 2/1993 Sato ..... D21/330
- 5,396,340 A \* 3/1995 Ishii ..... G09B 5/065  
348/838
- 5,988,902 A \* 11/1999 Holehan ..... G06F 3/016  
341/22
- 6,307,535 B1 \* 10/2001 Kim ..... G06F 1/1616  
345/156
- 6,400,351 B1 \* 6/2002 Ishizawa ..... G06F 1/1616  
345/156

(Continued)

**OTHER PUBLICATIONS**

- U.S. Appl. No. 29/574,767, filed Aug. 18, 2016, Takahiro Kuramoto.
- Primary Examiner* — Prabhakar Deshmukh
- (74) *Attorney, Agent, or Firm* — Drinker Biddle & Reath LLP

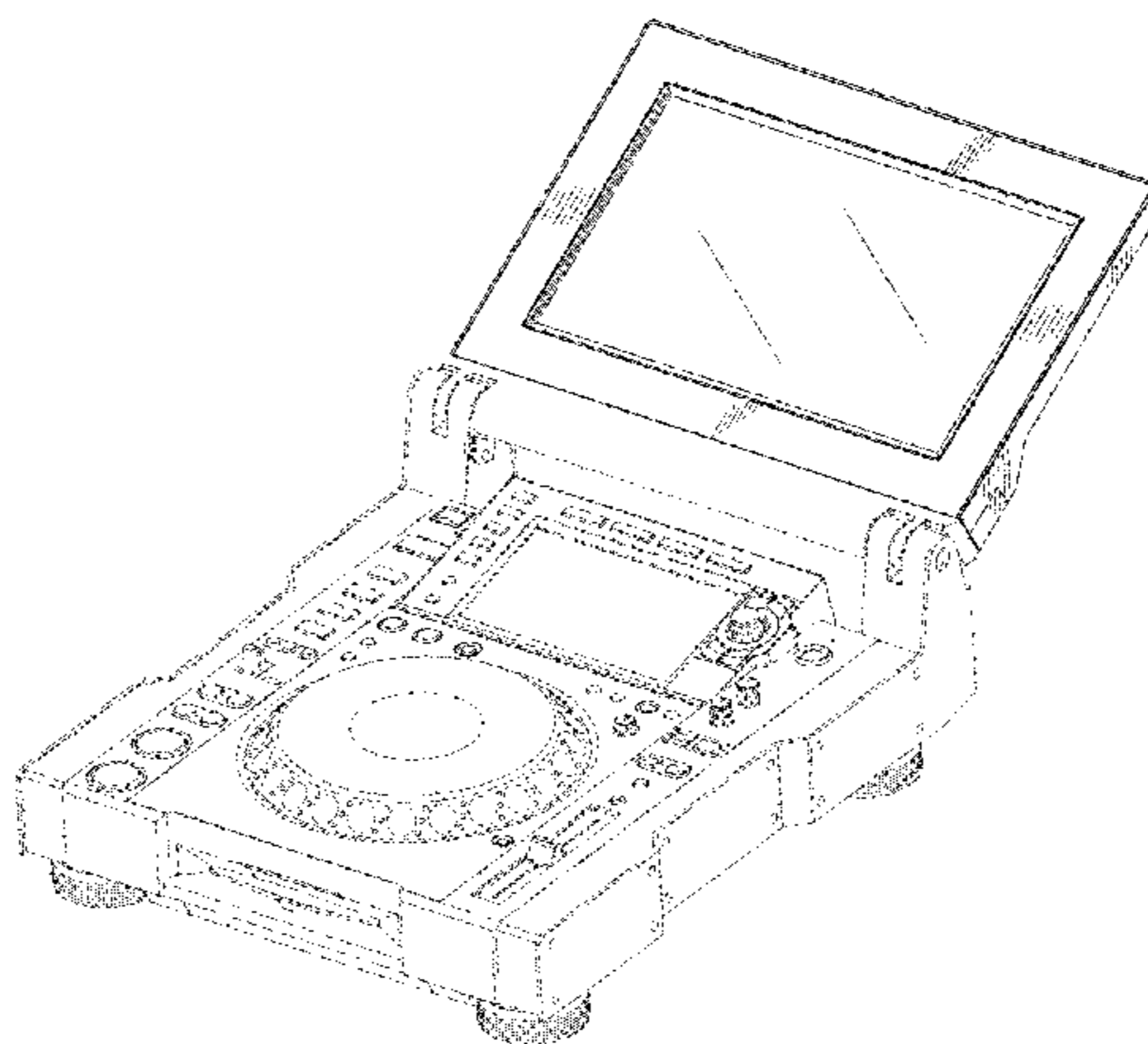
(57) **CLAIM**

I claim the ornamental design for a digital audio player, as shown and described.

**DESCRIPTION**

FIG. 1 is a top, front and right perspective view of a digital audio player showing my new design, shown in an open position;  
 FIG. 2 is a bottom, rear and left perspective view thereof;  
 FIG. 3 is a front view thereof;  
 FIG. 4 is a rear view thereof;  
 FIG. 5 is a left-side view thereof;  
 FIG. 6 is a right-side view thereof;  
 FIG. 7 is a top view thereof;  
 FIG. 8 is a bottom view thereof;  
 FIG. 9 is a top, front and right perspective view of a digital audio player, shown in a closed position;  
 FIG. 10 is a bottom, rear and left perspective view thereof;  
 FIG. 11 is a front view thereof;  
 FIG. 12 is a rear view thereof;  
 FIG. 13 is a left-side view thereof;  
 FIG. 14 is a right-side view thereof;  
 FIG. 15 is a top view thereof; and,  
 FIG. 16 is a bottom view thereof.  
 The broken lines illustrate unclaimed portions and form no part of the claimed design.

**1 Claim, 16 Drawing Sheets**



(56)

**References Cited**

U.S. PATENT DOCUMENTS

6,507,338 B1 *	1/2003	Liao	.....	G06F 3/03547
				345/156
D484,190 S *	12/2003	Cooper	.....	D19/195
D484,918 S *	1/2004	Okada	.....	D21/330
D485,280 S *	1/2004	Hussaini	.....	D14/203.4
D512,073 S *	11/2005	Rodarte	.....	D14/203.4
D555,667 S *	11/2007	Hussaini	.....	D14/129
D774,553 S *	12/2016	Chan	.....	D14/497

\* cited by examiner

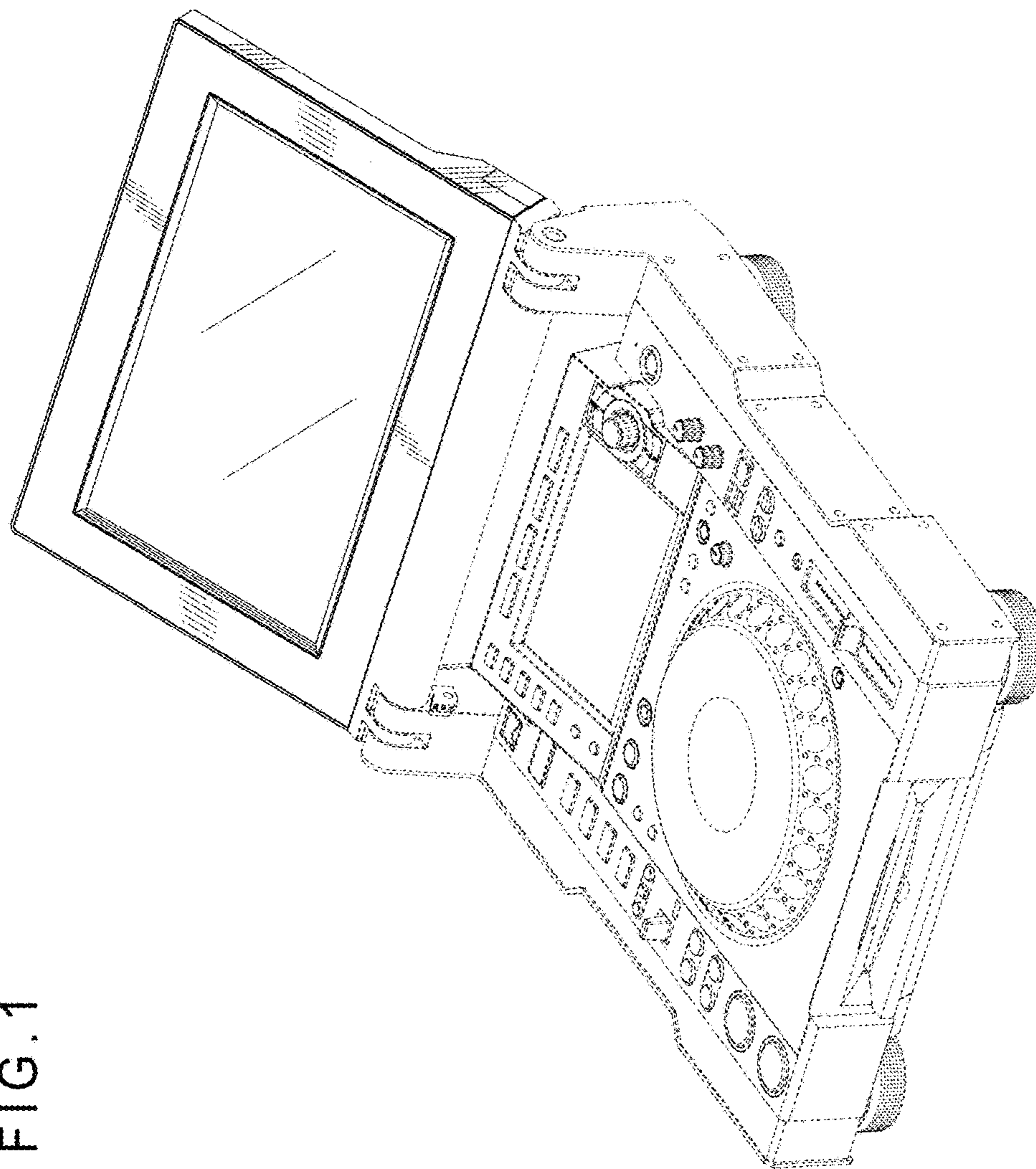


FIG. 1

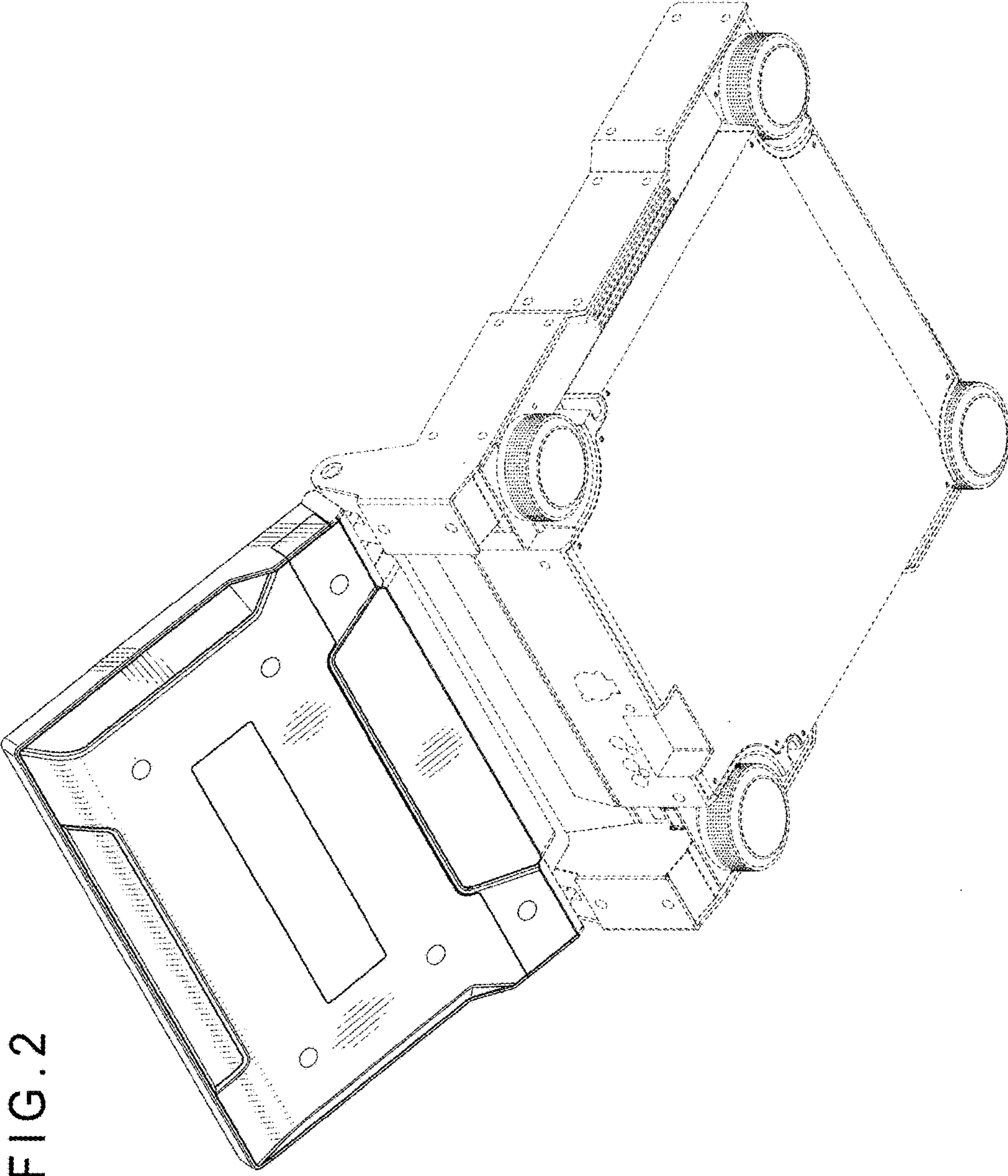


FIG. 2

FIG. 3

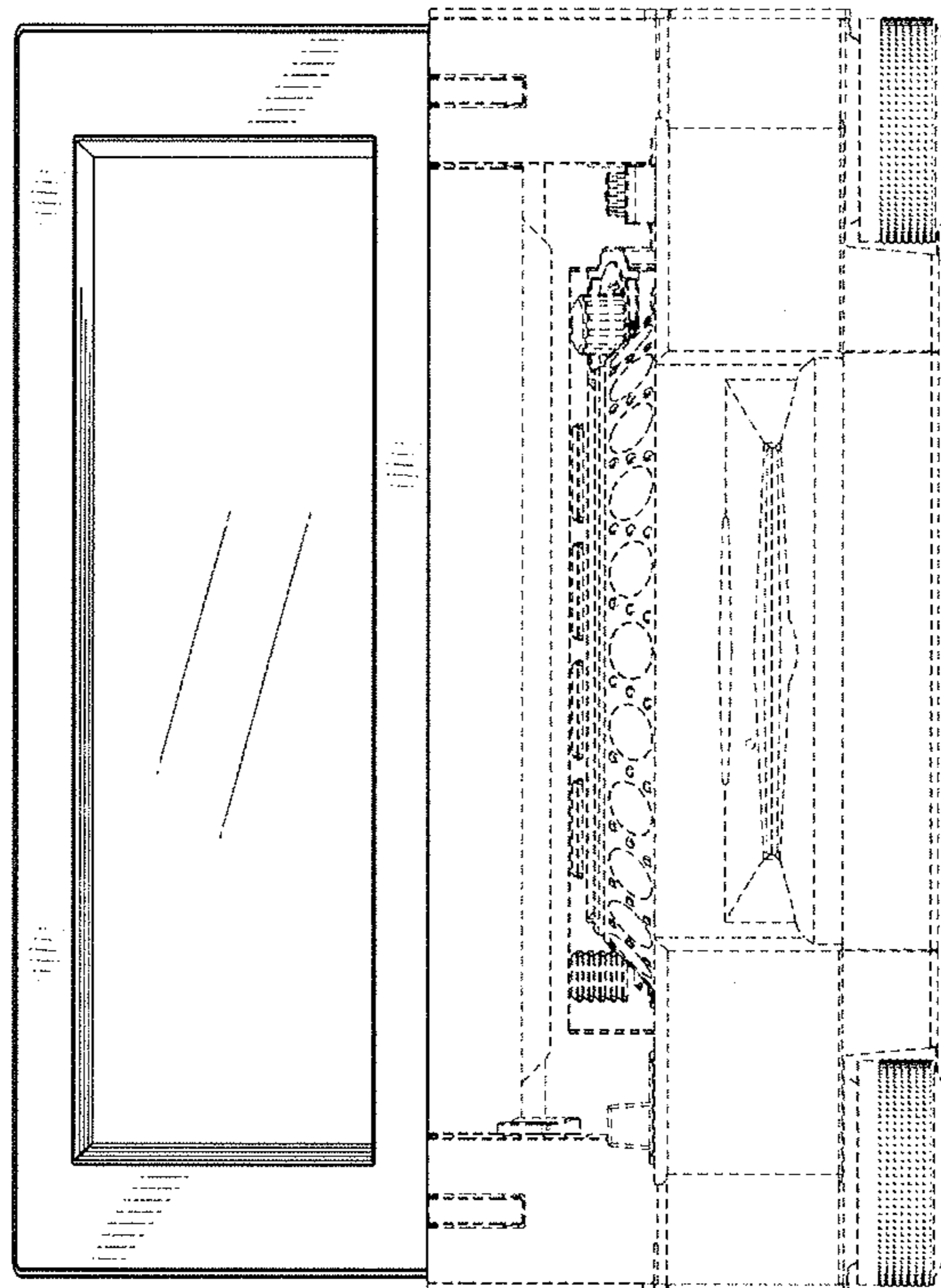


FIG. 4

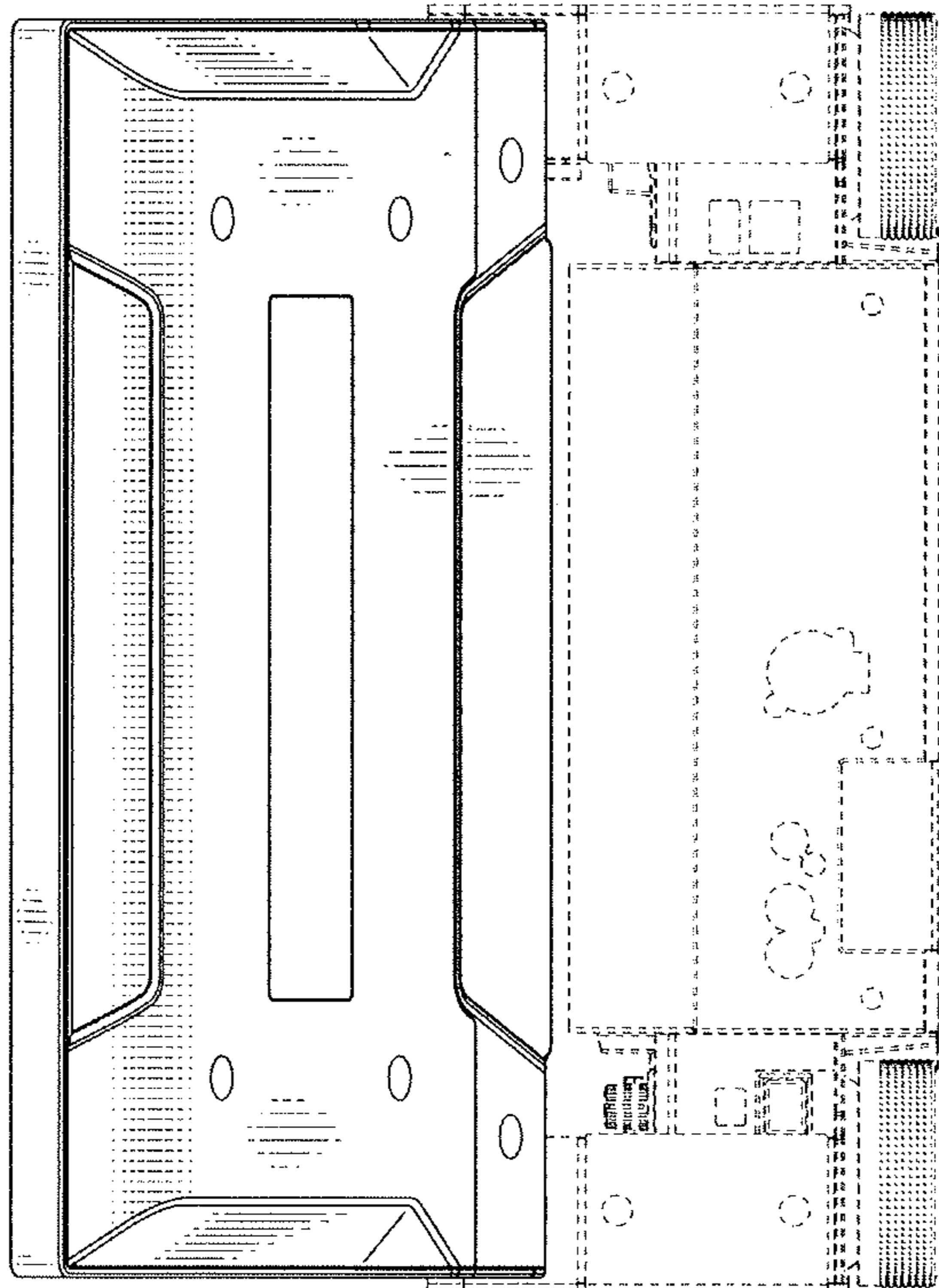


FIG. 5

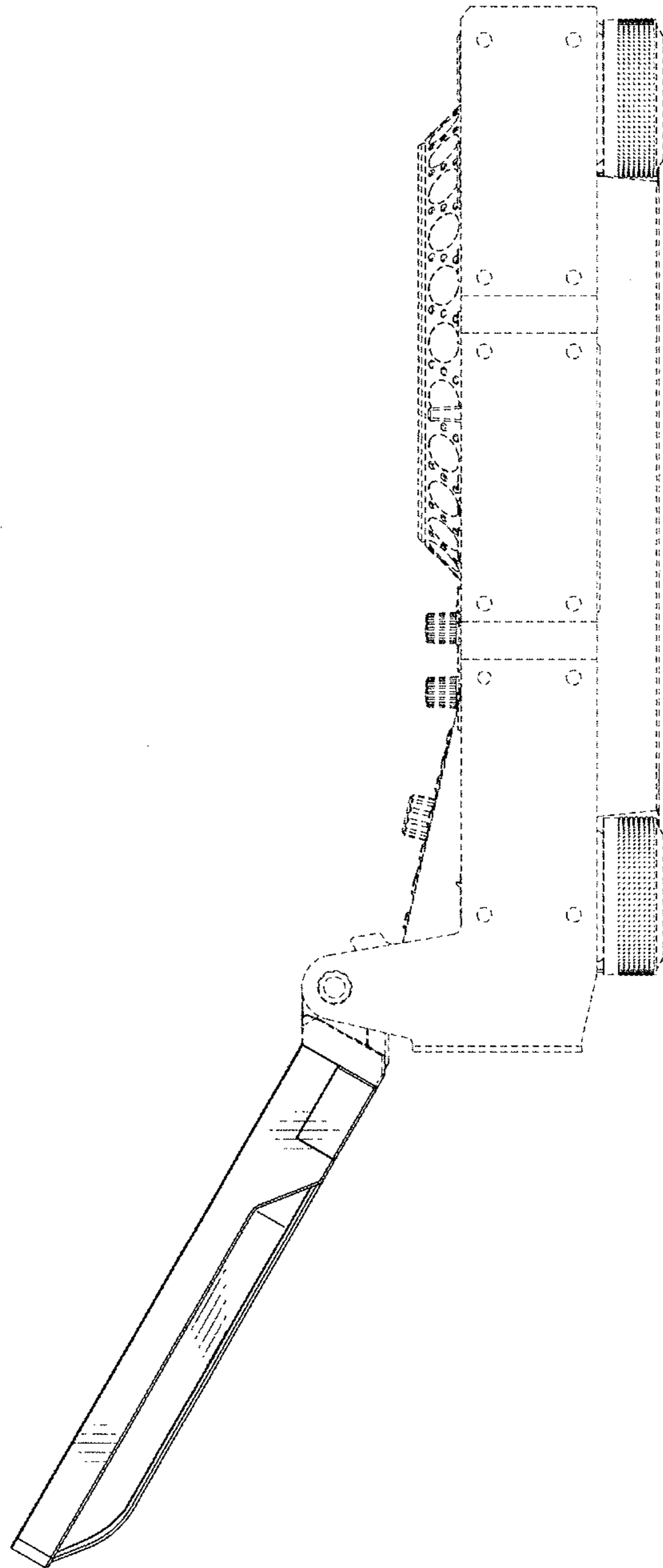
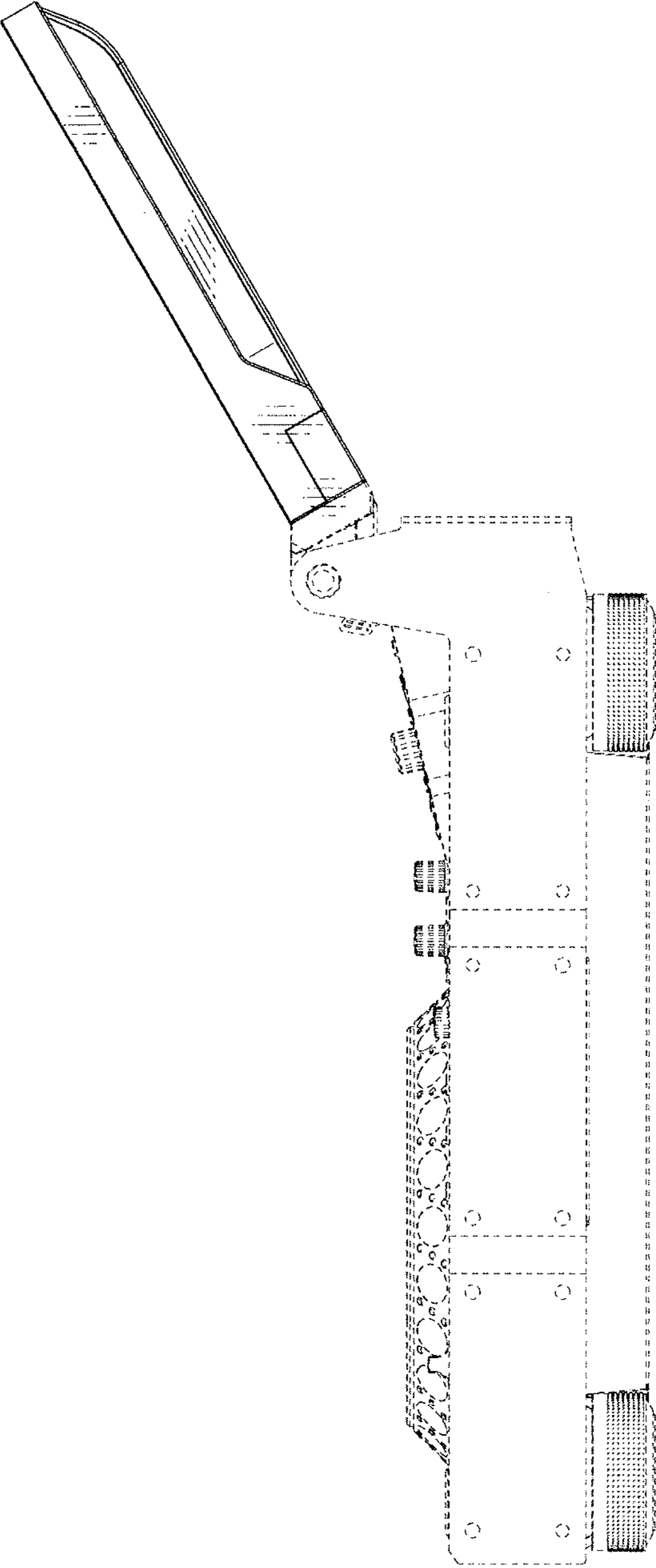


FIG. 6





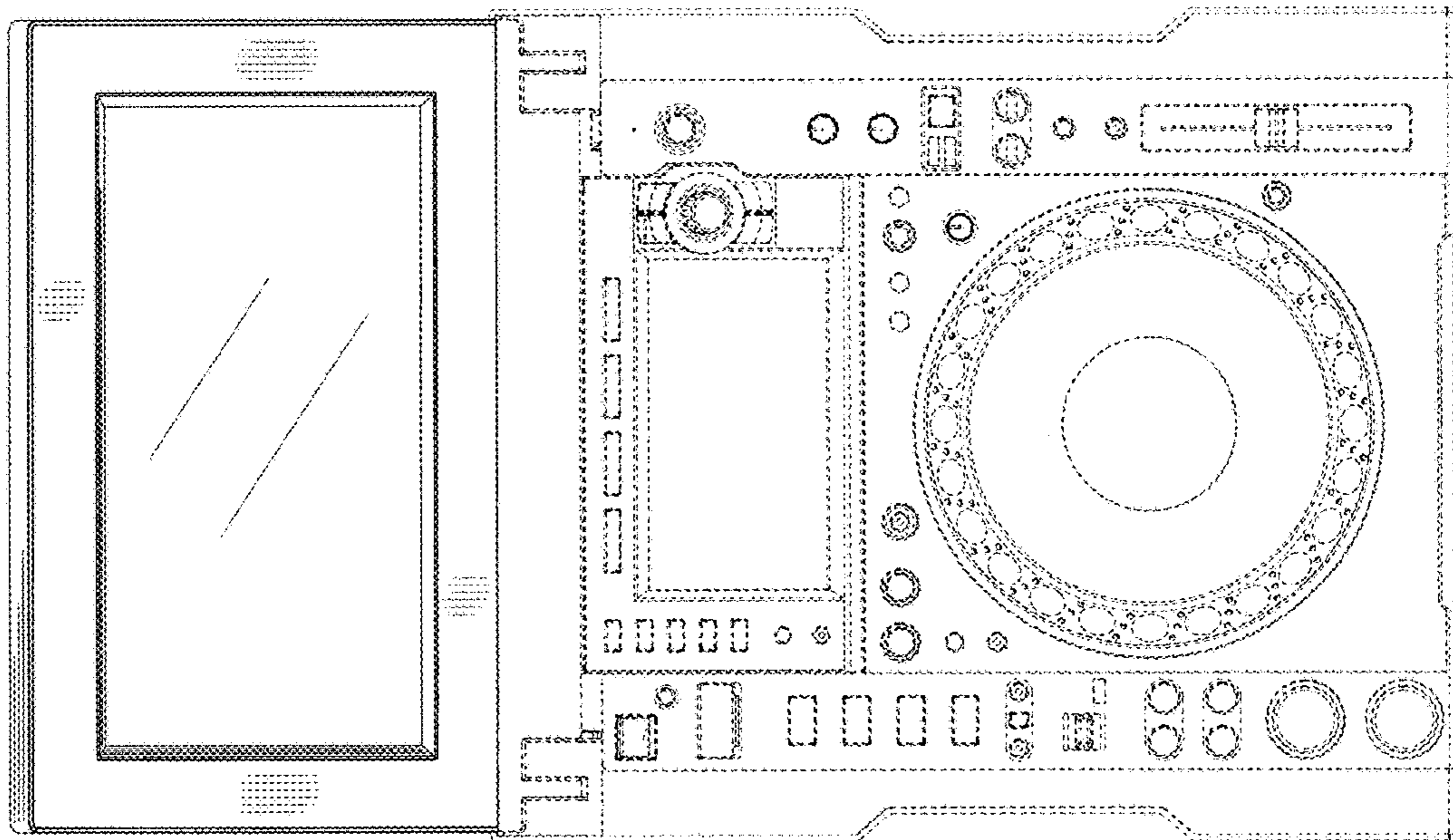


FIG. 7

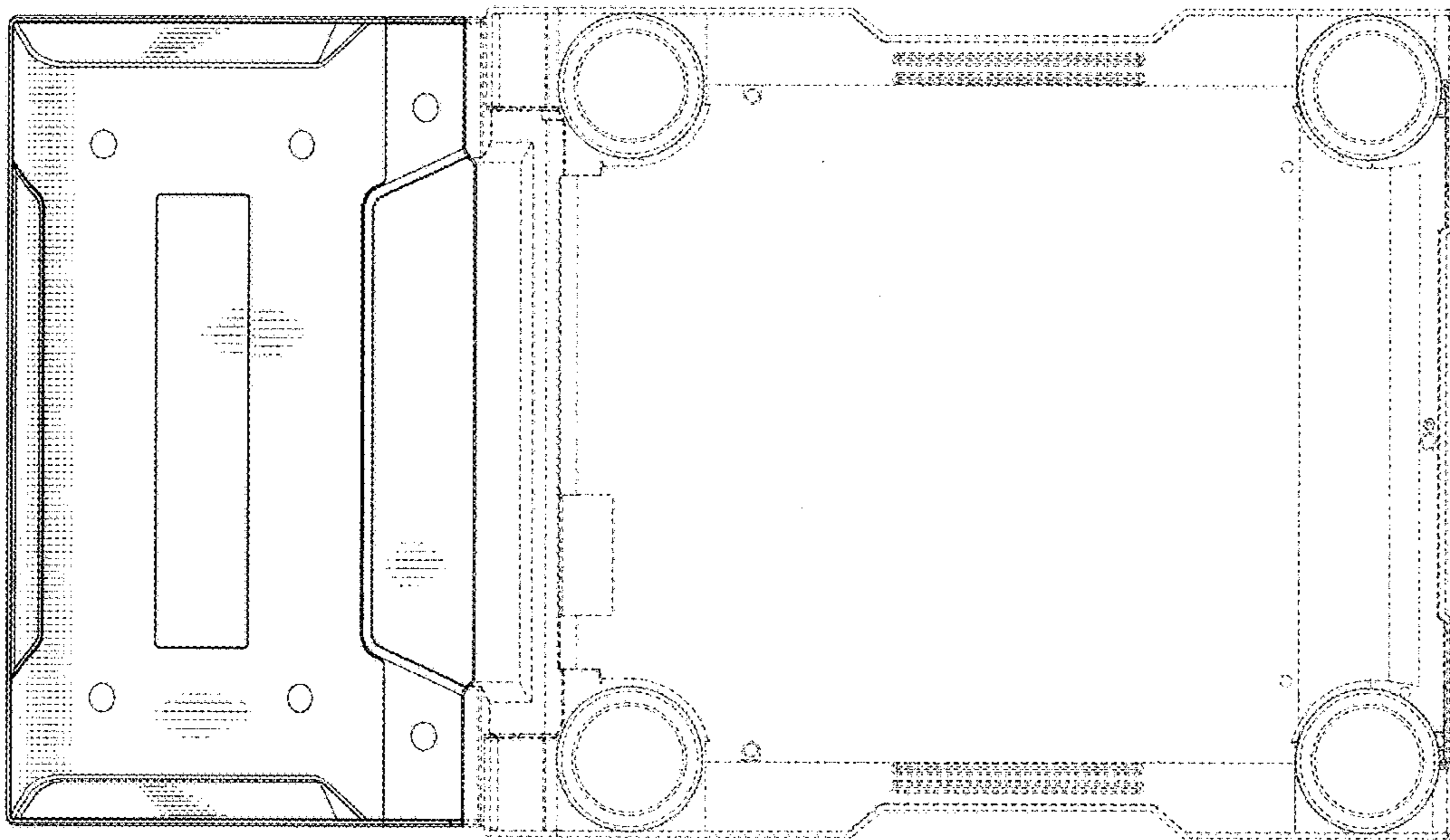


FIG. 8

FIG. 9

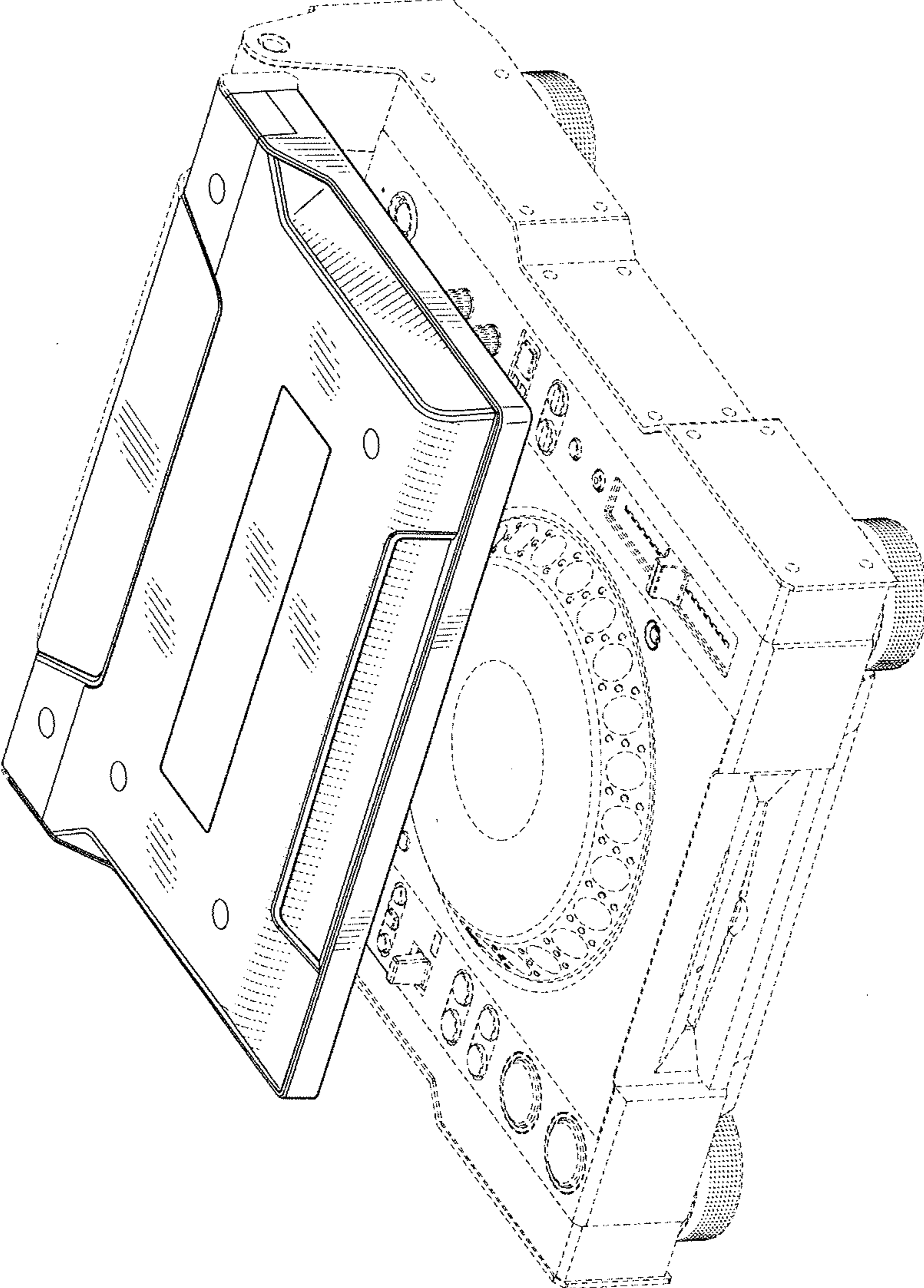


FIG. 10

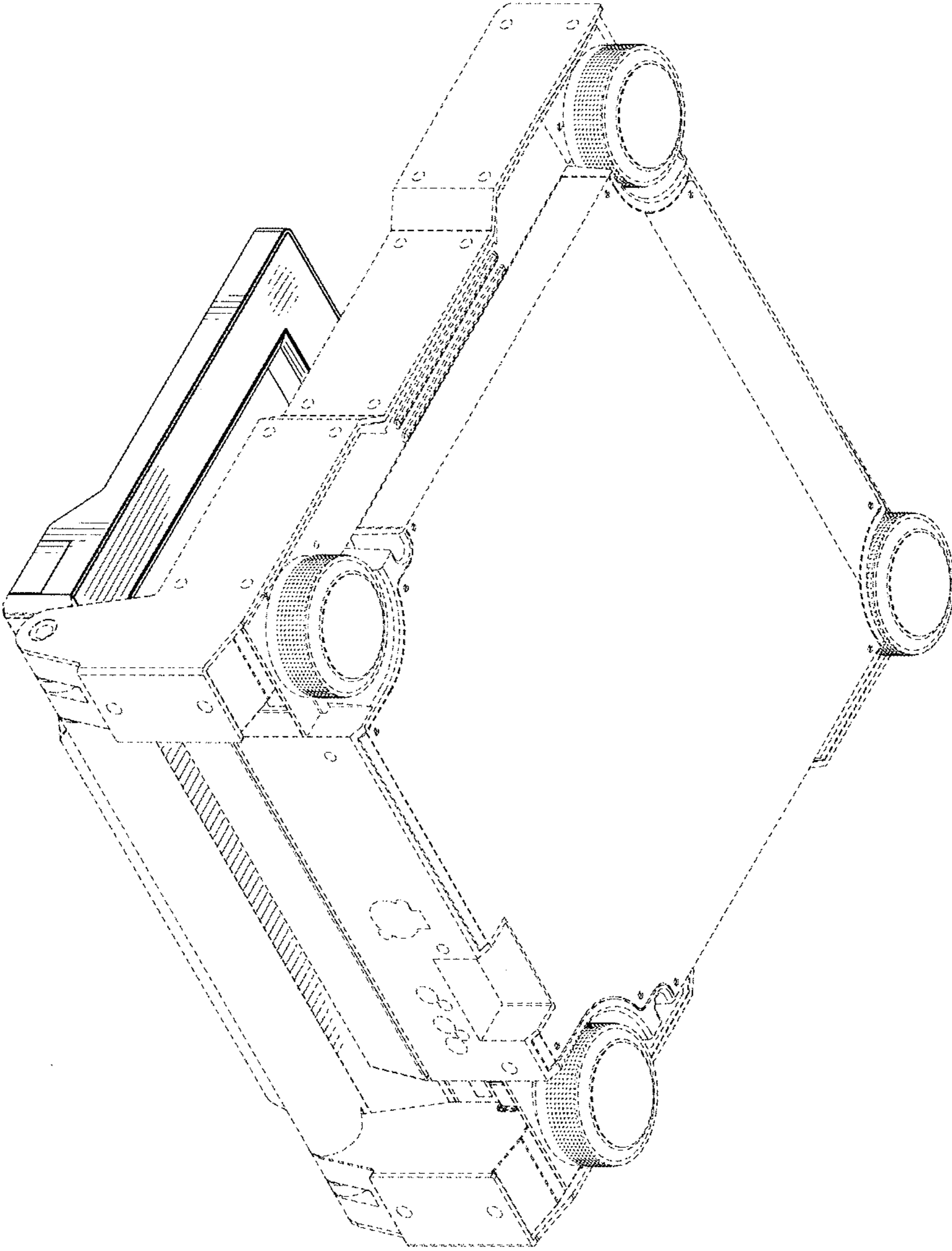


FIG. 11

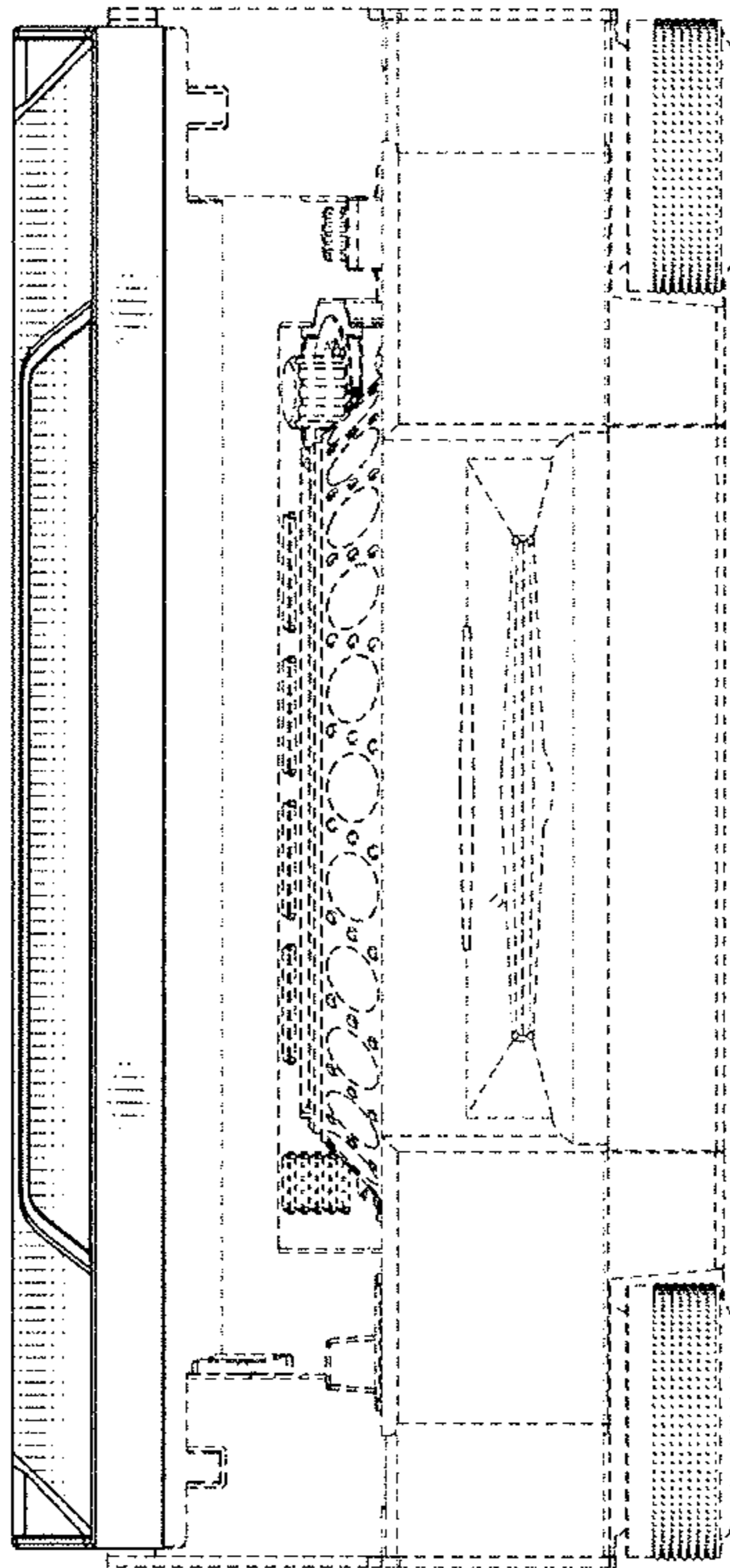


FIG. 12

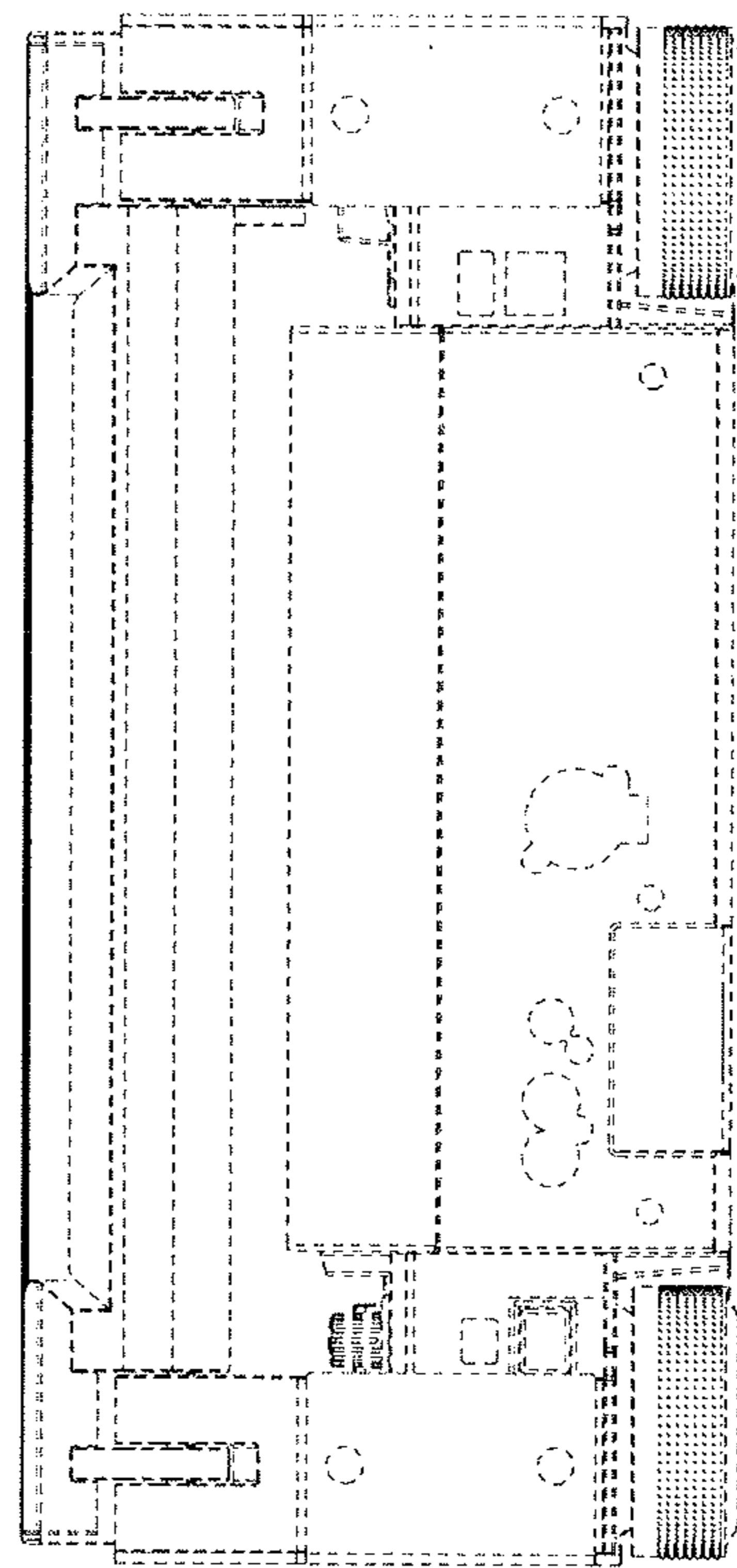


FIG. 13

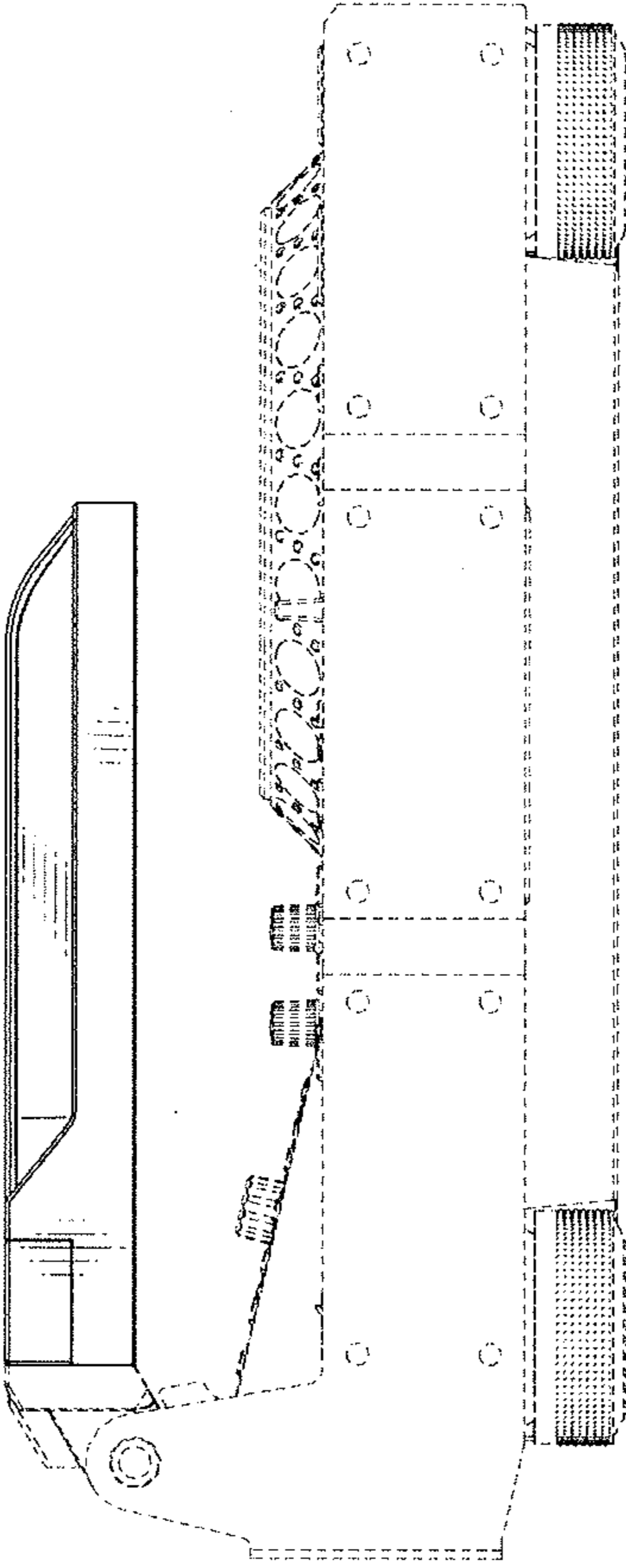


FIG. 14

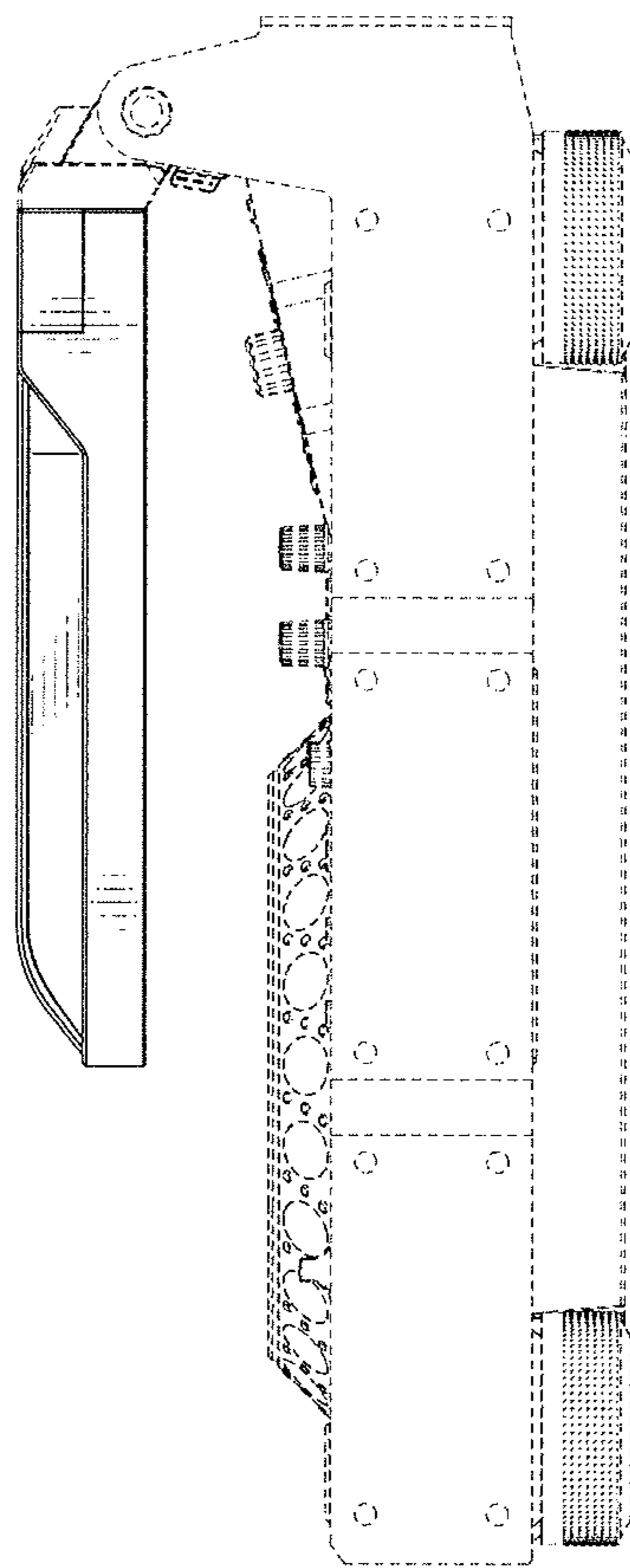




FIG. 15

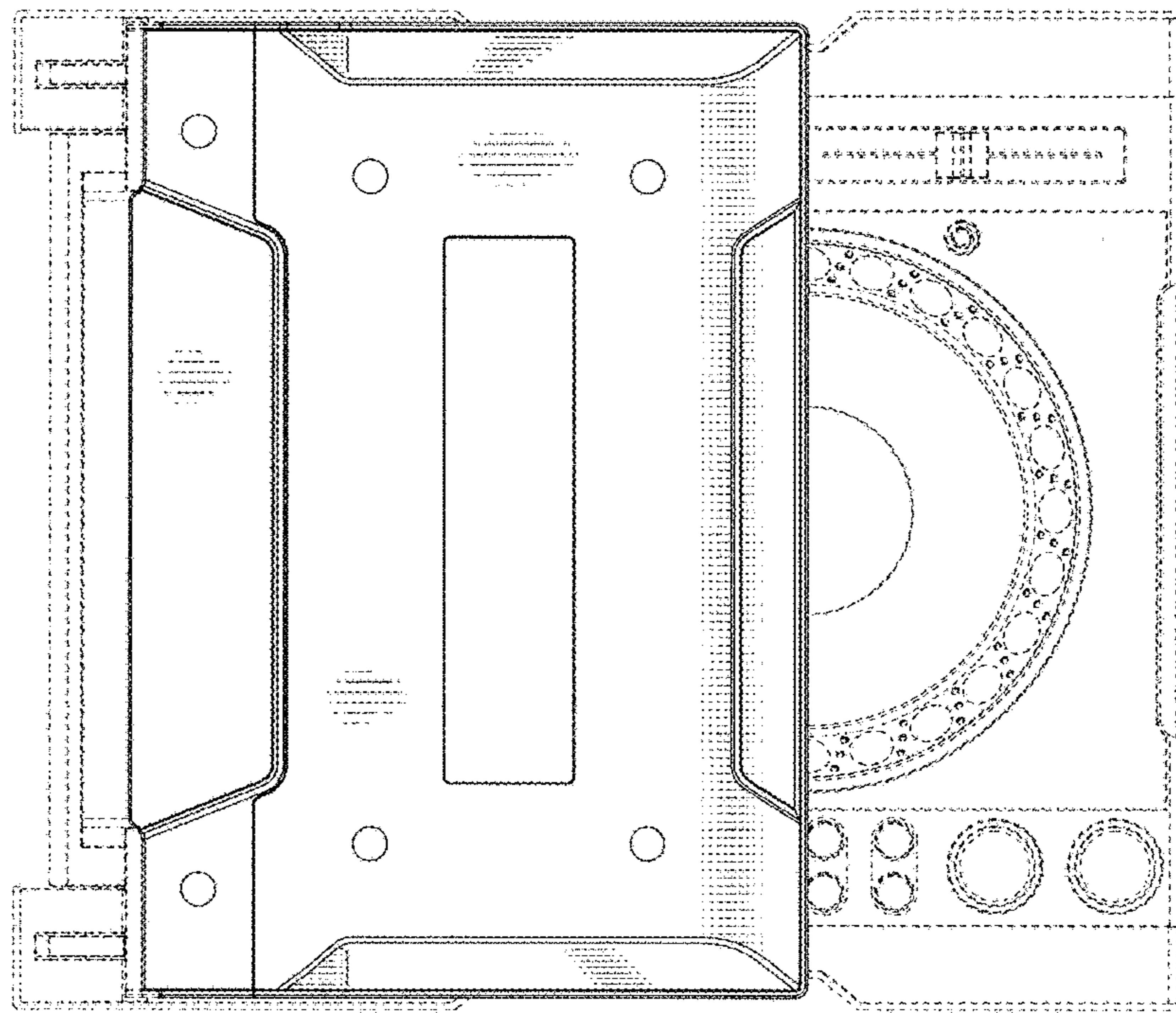


FIG. 16

