



US00D797698S

(12) **United States Design Patent** (10) **Patent No.:** **US D797,698 S**
Kwak et al. (45) **Date of Patent:** **** Sep. 19, 2017**

(54) **TELEPHONE**
(71) Applicant: **SAMSUNG ELECTRONICS CO., LTD.**, Suwon-si (KR)
(72) Inventors: **Jihee Kwak**, Seoul (KR); **Moonjung Jang**, Gunpo-si (KR); **Soyoon Jeon**, Guri-si (KR)
(73) Assignee: **Samsung Electronics Co., Ltd.**, Suwon-si (KR)
(**) Term: **15 Years**
(21) Appl. No.: **29/562,255**
(22) Filed: **Apr. 25, 2016**

D529,894 S * 10/2006 Yanagisawa D14/151
D530,303 S * 10/2006 Tang D14/151
D535,277 S * 1/2007 Mamizuka D14/151
D588,573 S * 3/2009 West D14/151
D613,724 S * 4/2010 Kao D14/151
D624,522 S * 9/2010 Takahata D14/159
D657,772 S * 4/2012 Shadovitz D14/150
D664,520 S * 7/2012 Shadovitz D14/150
D671,518 S * 11/2012 Ookawa D14/149
D676,411 S * 2/2013 Taniguchi D14/151
8,908,858 B2 * 12/2014 Chiu G06F 1/1681
379/428.02
D738,845 S * 9/2015 Kwak D14/151
D753,624 S * 4/2016 Ji D14/151
D767,527 S * 9/2016 Hillenmayer D14/140.8
D771,005 S * 11/2016 Tani D14/142
2011/0216898 A1 * 9/2011 Huang H04M 1/00
379/428.02

(Continued)

(30) **Foreign Application Priority Data**
Nov. 27, 2015 (KR) 30-2015-0059956
(51) **LOC (10) Cl.** **14-03**
(52) **U.S. Cl.**
USPC **D14/151**
(58) **Field of Classification Search**
USPC ... D14/140, 140.1, 140.7, 140.8, 141.2, 142,
D14/147, 148, 149, 151, 150, 158, 159,
D14/188, 217, 240, 243, 247, 248, 251,
D14/299, 329; D21/517; D18/1, 7;
D10/104.1; 379/88.17, 90.01, 93.17,
379/387.01, 388.02, 419-420.04, 420.02,
379/428.01-428.04, 434-436, 440,
379/446-447, 454-455, 93.23
CPC H04M 1/00; H04M 1/003; H04M 1/02;
H04M 1/03; H04M 1/04
See application file for complete search history.

Primary Examiner — Susan Bennett Hattan
Assistant Examiner — Marie Fast Horse
(74) *Attorney, Agent, or Firm* — NSIP Law

(57) **CLAIM**

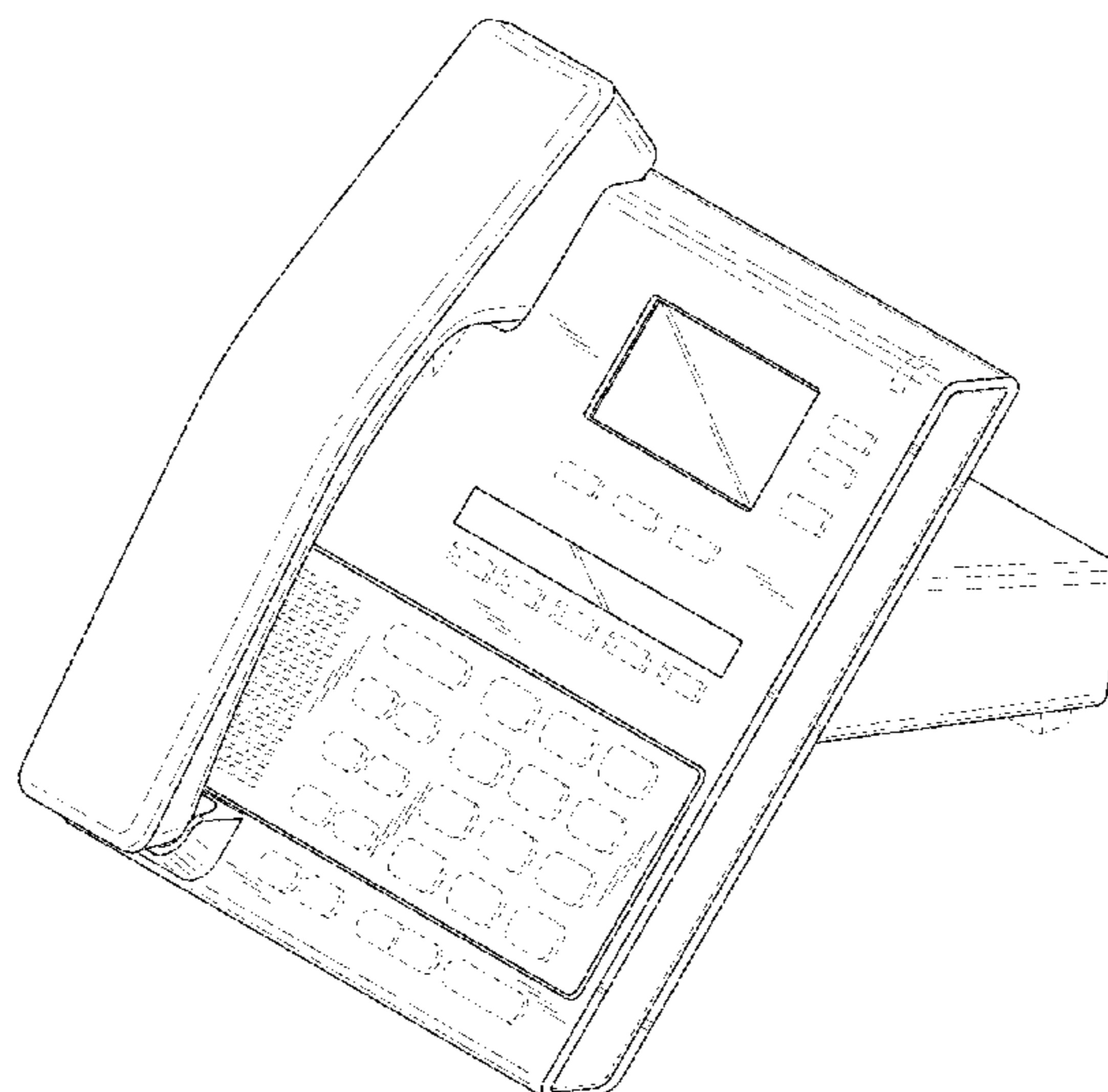
We claim the ornamental design for a telephone, as shown and described.

DESCRIPTION

FIG. 1 is a front perspective view of a telephone showing our new design;
FIG. 2 is a front view thereof;
FIG. 3 is a rear view thereof;
FIG. 4 is a left-side view thereof;
FIG. 5 is a right-side view thereof;
FIG. 6 is a top view thereof;
FIG. 7 is a bottom view thereof; and,
FIG. 8 is another right-side view of the telephone shown in an alternate position.
The broken lines in the figures depict portions of the telephone that and form no part of the claimed design.

(56) **References Cited**
U.S. PATENT DOCUMENTS
D284,662 S * 7/1986 McKenzie D13/164
D529,477 S * 10/2006 Hsu D14/151

1 Claim, 8 Drawing Sheets



(56)

References Cited

U.S. PATENT DOCUMENTS

2013/0108037 A1* 5/2013 Chen H04M 1/02
379/446

* cited by examiner

FIG.1

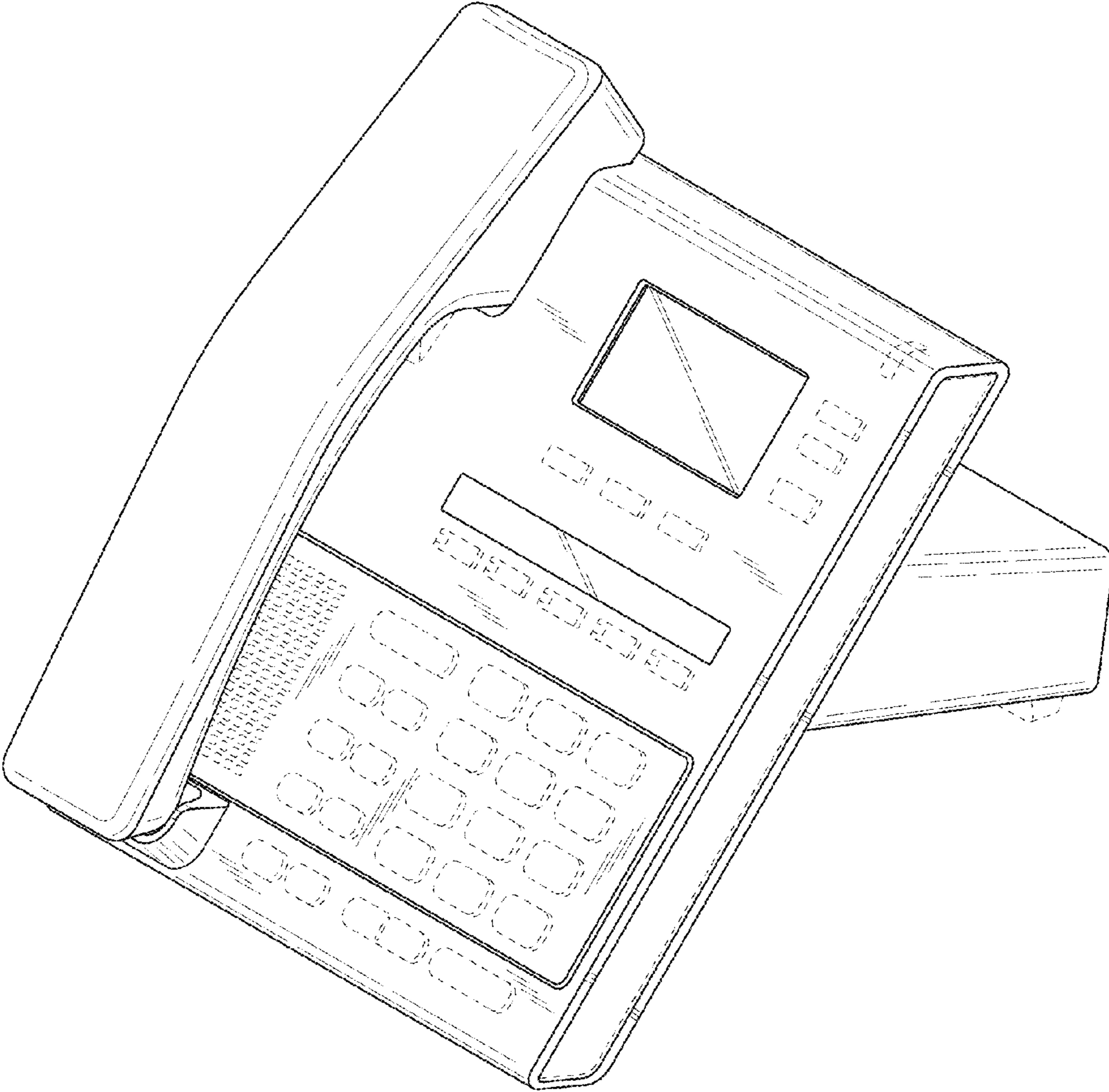


FIG.2

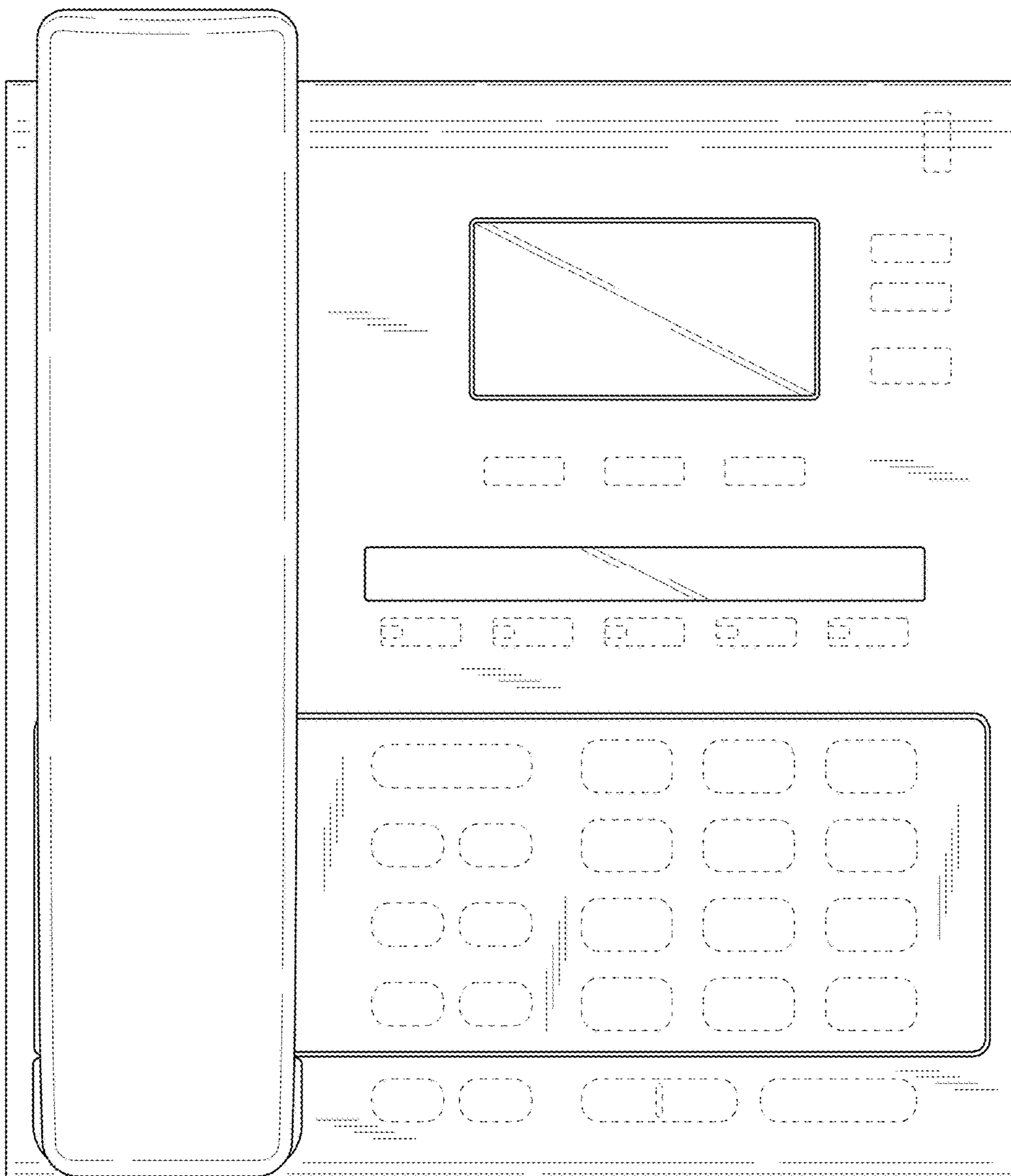


FIG.3

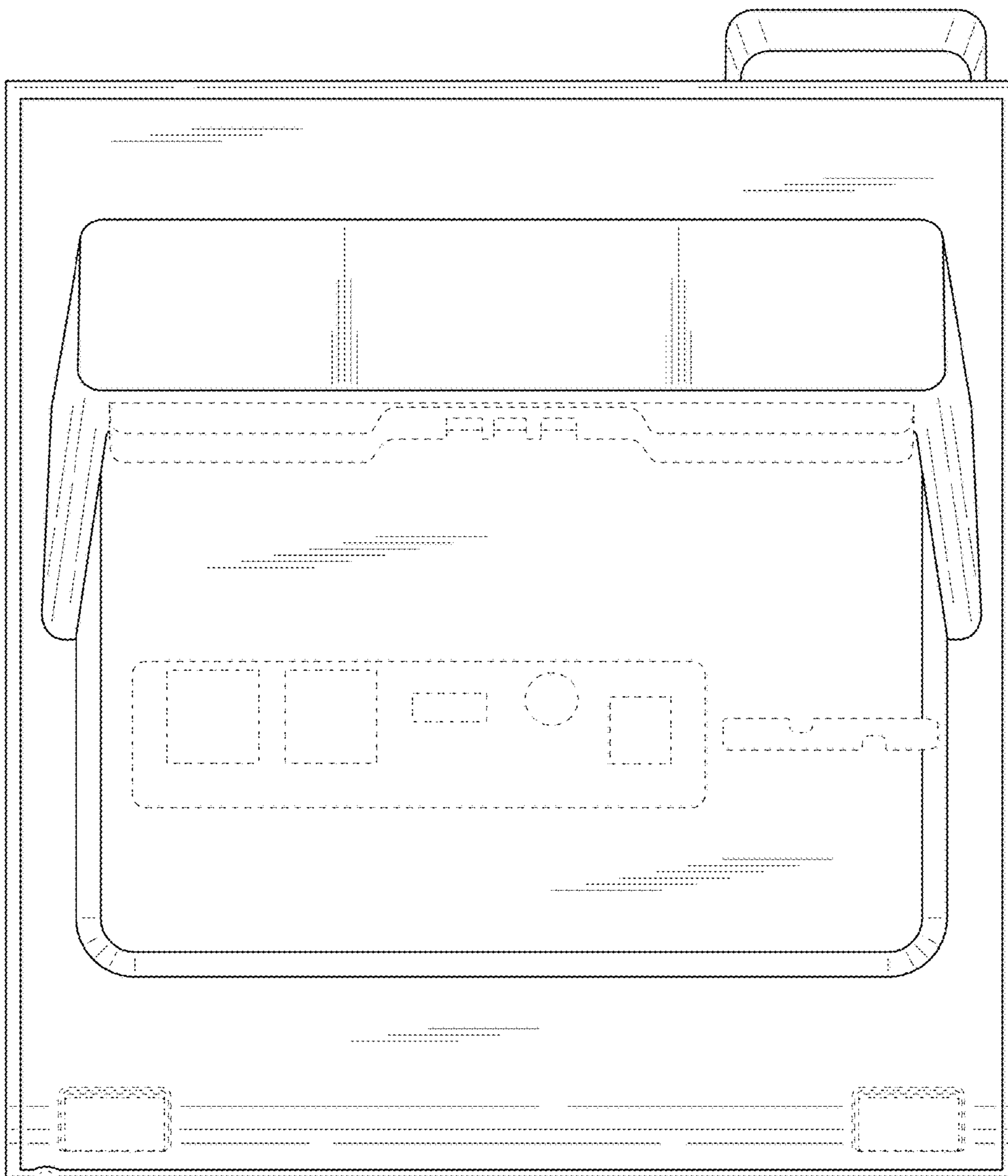


FIG.4

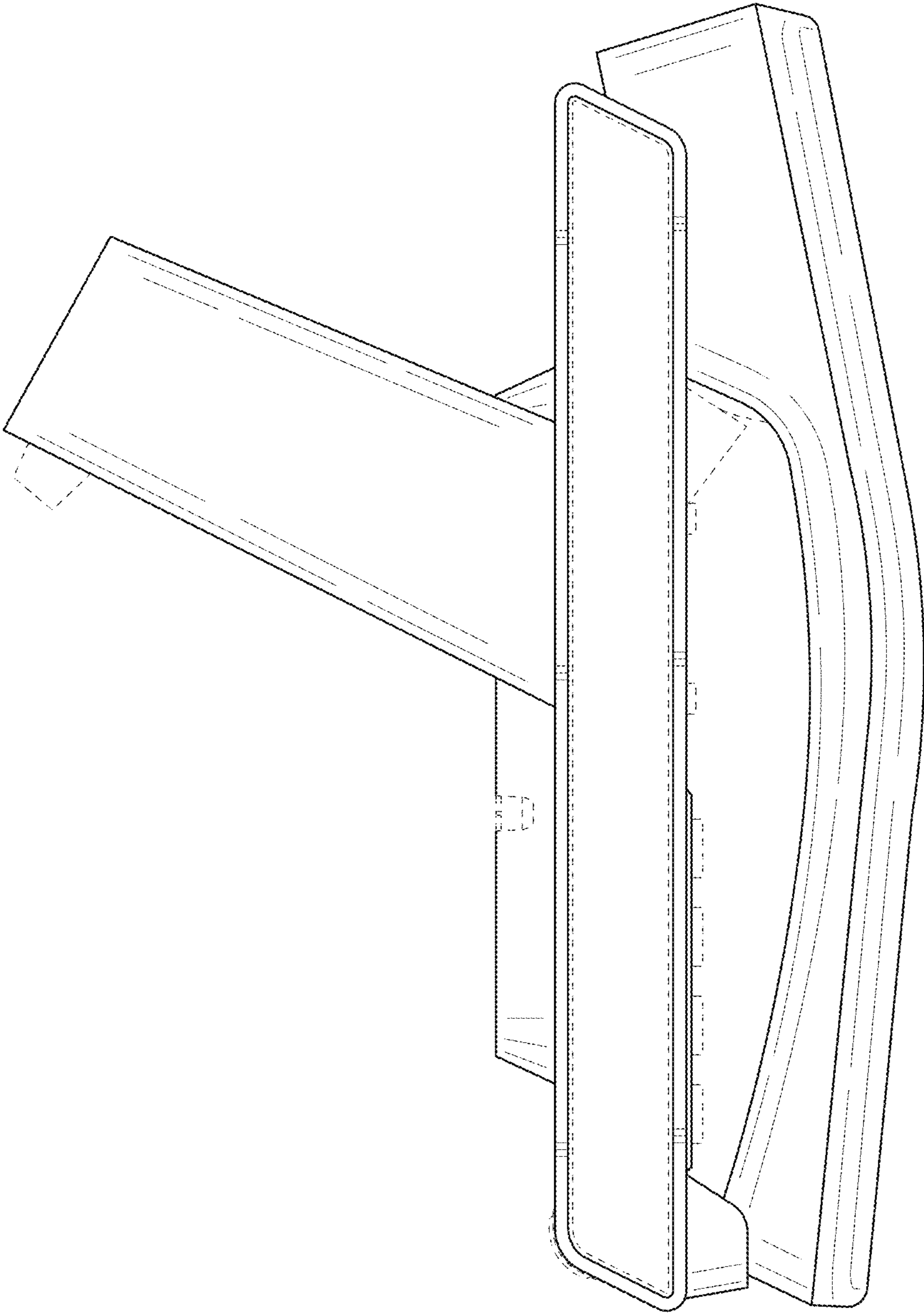


FIG.5

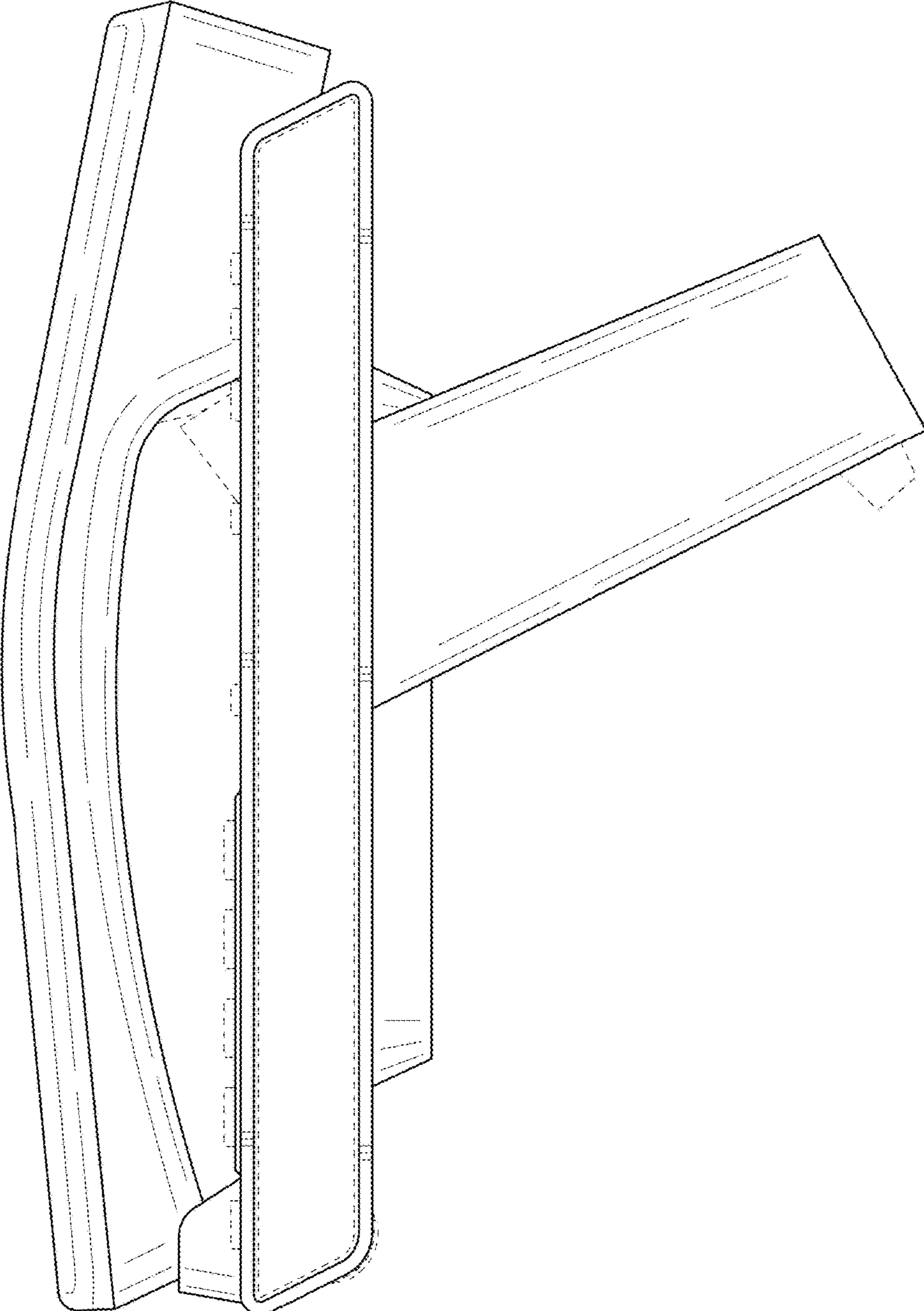


FIG.6

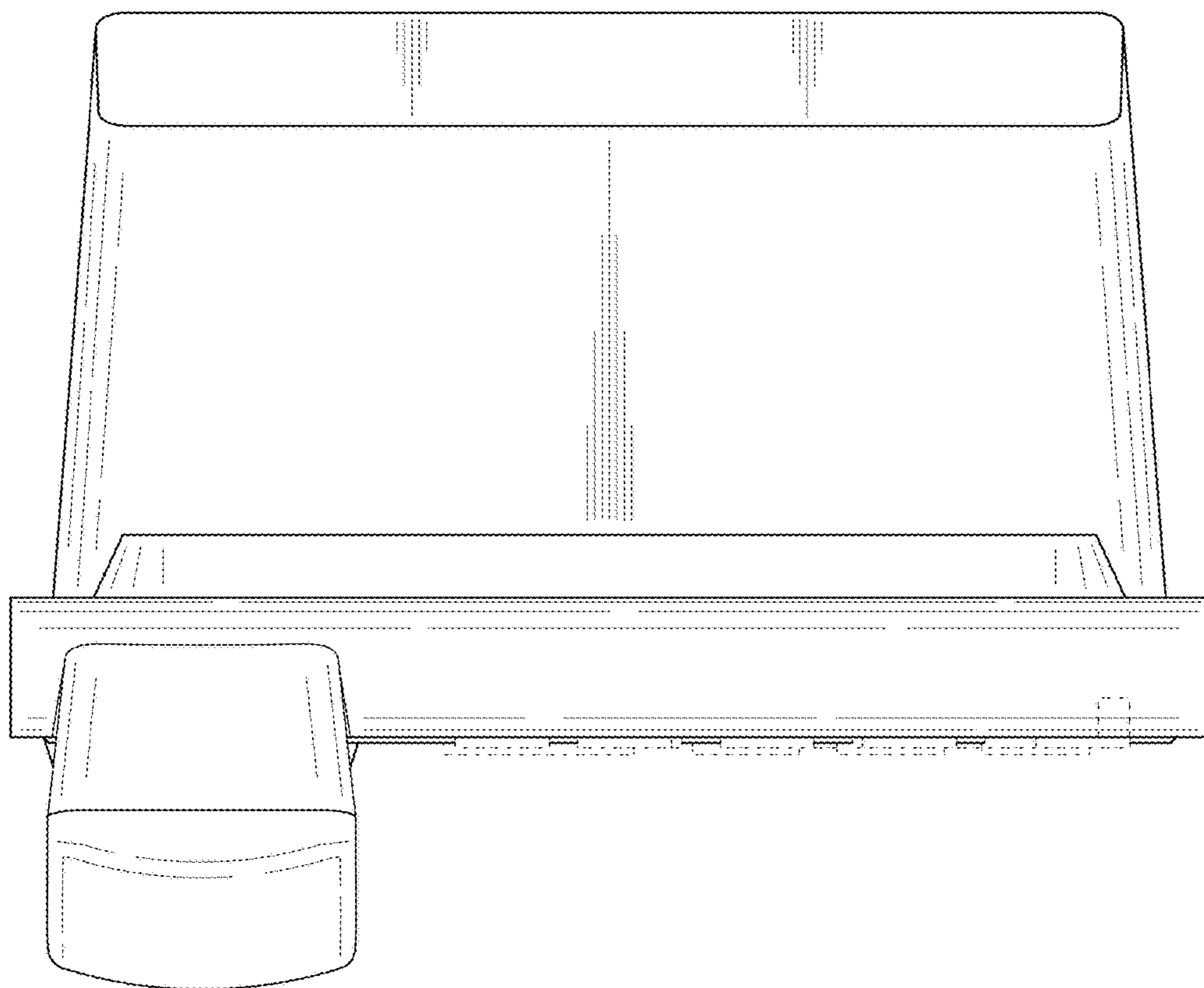


FIG.7

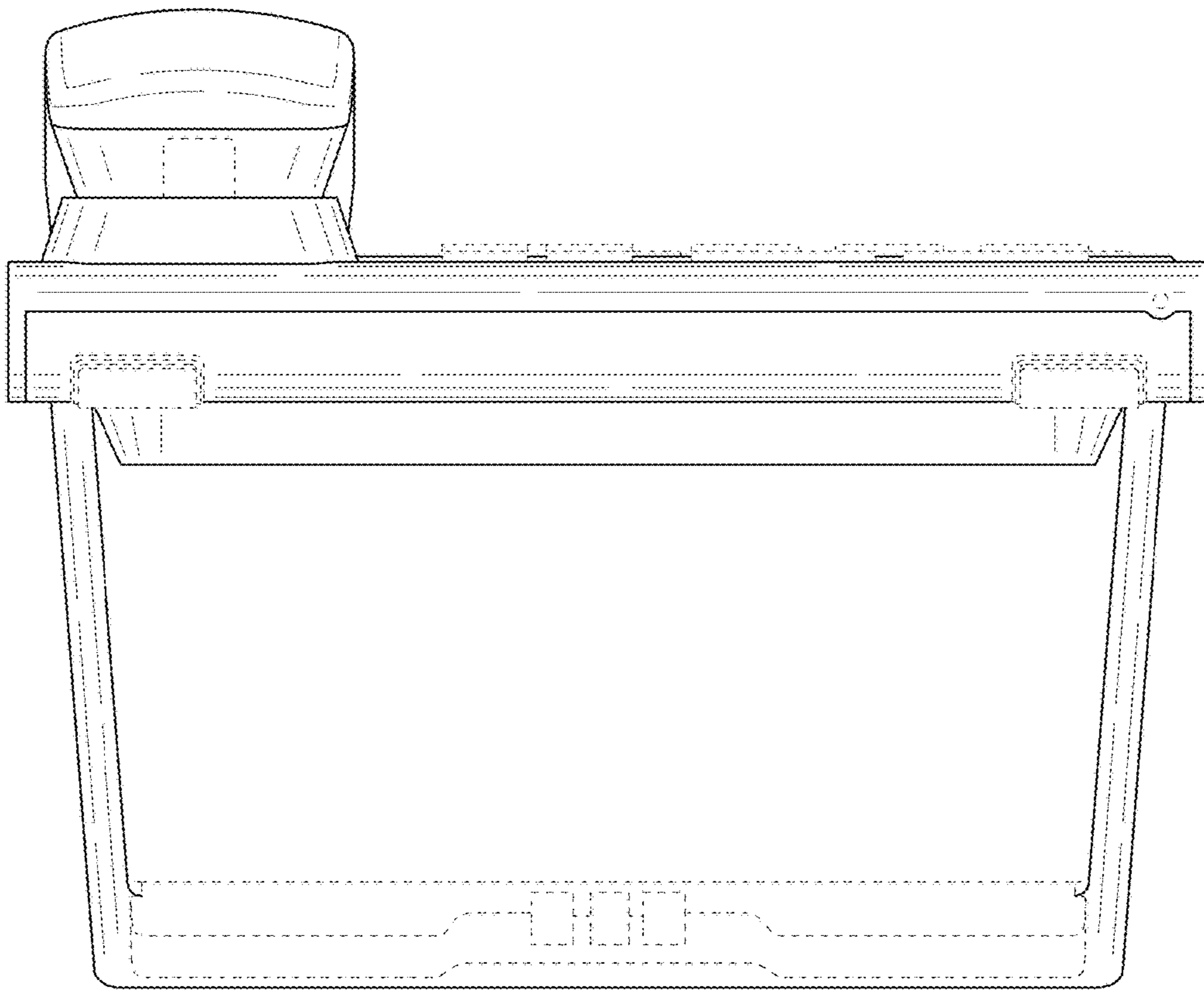


FIG.8

