

US00D797695S

(12) **United States Design Patent** (10) **Patent No.:** **US D797,695 S**  
**Yoshihara** (45) **Date of Patent:** **\*\* Sep. 19, 2017**

(54) **ELECTRONIC DEVICE**  
(71) Applicant: **KYOCERA Corporation**, Kyoto-shi,  
Kyoto (JP)  
(72) Inventor: **Kayoko Yoshihara**, Neyagawa (JP)  
(73) Assignee: **KYOCERA CORPORATION**,  
Kyoto-shi, Kyoto (JP)

D711,864 S \* 8/2014 Poon ..... D14/250  
D712,864 S \* 9/2014 Hirota ..... D14/138 G  
D723,499 S \* 3/2015 Nishikawa ..... D14/138 G  
D729,190 S \* 5/2015 Kwak ..... D14/138 G  
D729,255 S \* 5/2015 Kilkenny ..... D14/440  
D733,154 S \* 6/2015 Armstrong ..... D14/440  
D733,699 S \* 7/2015 Suzuki ..... D14/315  
D752,006 S \* 3/2016 Plaschke ..... D14/138 G  
D766,885 S \* 9/2016 Armstrong ..... D14/250

(Continued)

(\*\*) Term: **15 Years**

**OTHER PUBLICATIONS**

(21) Appl. No.: **29/546,762**

<http://www.samsung.com/us/mobile/cell-phones/SM-G890AZWAATT>.

(22) Filed: **Nov. 25, 2015**

<http://www.samsung.com/us/mobile/cell-phones/SGH-I847ZKAATT>.

(30) **Foreign Application Priority Data**

Oct. 26, 2015 (JP) ..... 2015-023716

(51) **LOC (10) Cl.** ..... **14-03**

(52) **U.S. Cl.**  
USPC ..... **D14/138 G**

(58) **Field of Classification Search**  
USPC ..... D14/138 AA, 138 AB, 138 AD, 138 AC,  
D14/138 C, 138 G, 138 R, 248, 250, 253,  
D14/341, 440; D3/215, 218, 269;  
D21/517

CPC ..... H04M 1/03; H04B 1/3888; H04N 5/2252  
See application file for complete search history.

(56) **References Cited**

**U.S. PATENT DOCUMENTS**

D624,069 S \* 9/2010 Peng ..... D14/324  
D627,756 S \* 11/2010 Nuovo ..... D14/138 AA  
D639,260 S \* 6/2011 Carroll ..... D14/138 G  
D649,149 S \* 11/2011 Peng ..... D14/315  
D671,933 S \* 12/2012 Rodgers ..... D14/250  
D685,754 S \* 7/2013 Palmer ..... D14/138 G  
D687,004 S \* 7/2013 Behling ..... D14/138 G  
D687,005 S \* 7/2013 Nuovo ..... D14/138 G  
D687,806 S \* 8/2013 Hachiya ..... D14/138 G  
D688,219 S \* 8/2013 Ikezu ..... D14/138 G  
D688,233 S \* 8/2013 Dong ..... D14/250

*Primary Examiner* — Sheryl Lane

*Assistant Examiner* — Calvin E Vansant

(74) *Attorney, Agent, or Firm* — Kenja IP Law PC

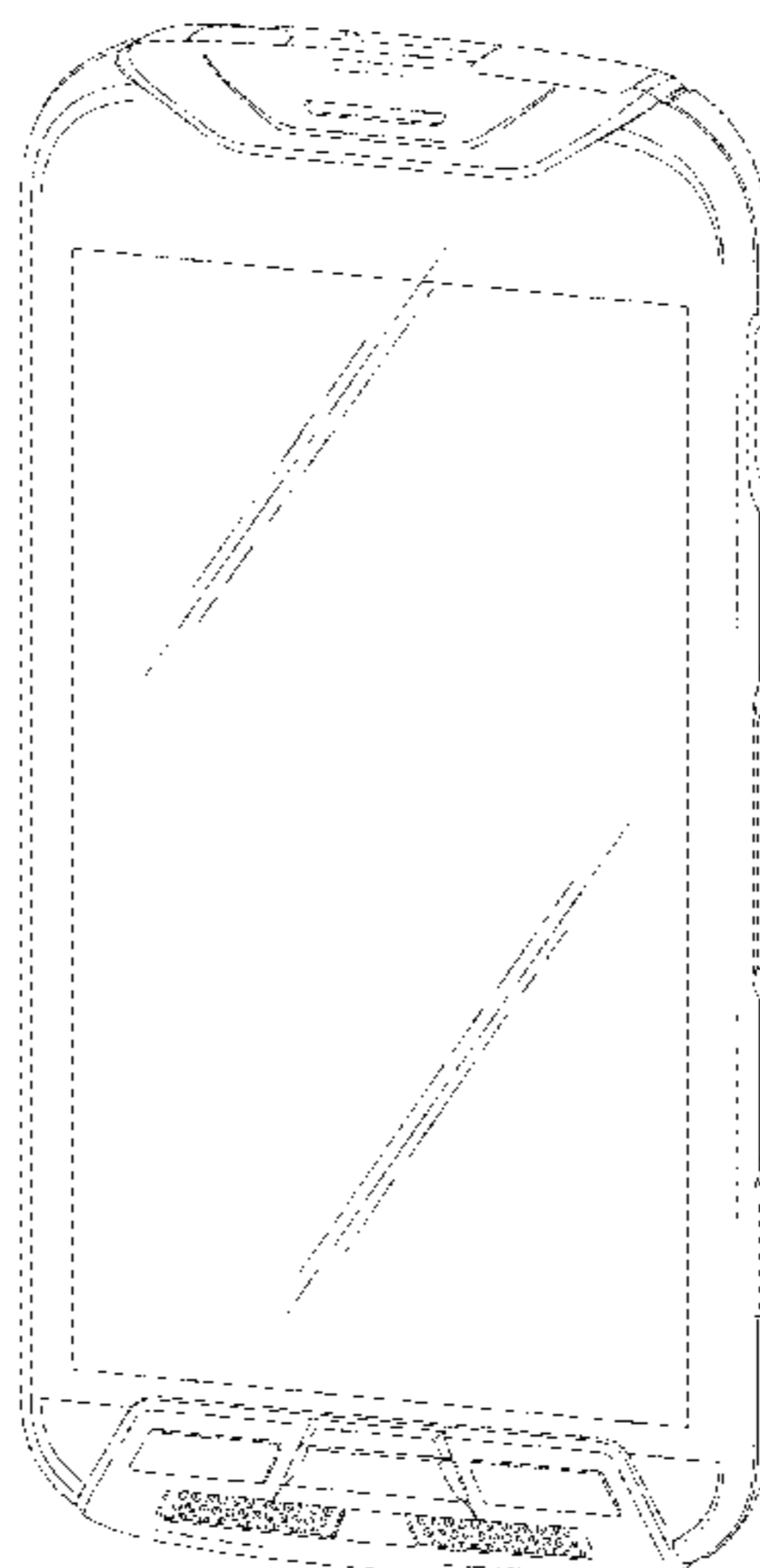
(57) **CLAIM**

The ornamental design for an electronic device, as shown and described.

**DESCRIPTION**

FIG. 1 is a front perspective view of an electronic device showing my new design;  
FIG. 2 is a rear perspective view thereof;  
FIG. 3 is a front view thereof;  
FIG. 4 is a rear view thereof;  
FIG. 5 is a top plan view thereof;  
FIG. 6 is a bottom view thereof;  
FIG. 7 is a right side view thereof;  
FIG. 8 is a left side view thereof; and,  
FIG. 9 is a cross-sectional view taken along line 9-9 in FIG. 4 of the portion defined by line 9-9 in FIG. 4 and 9-9 in FIG. 7, in which internal structure thereof is omitted.  
The broken lines in the drawings illustrate portions of the electronic device that form no part of the claimed design.

**1 Claim, 9 Drawing Sheets**



(56)

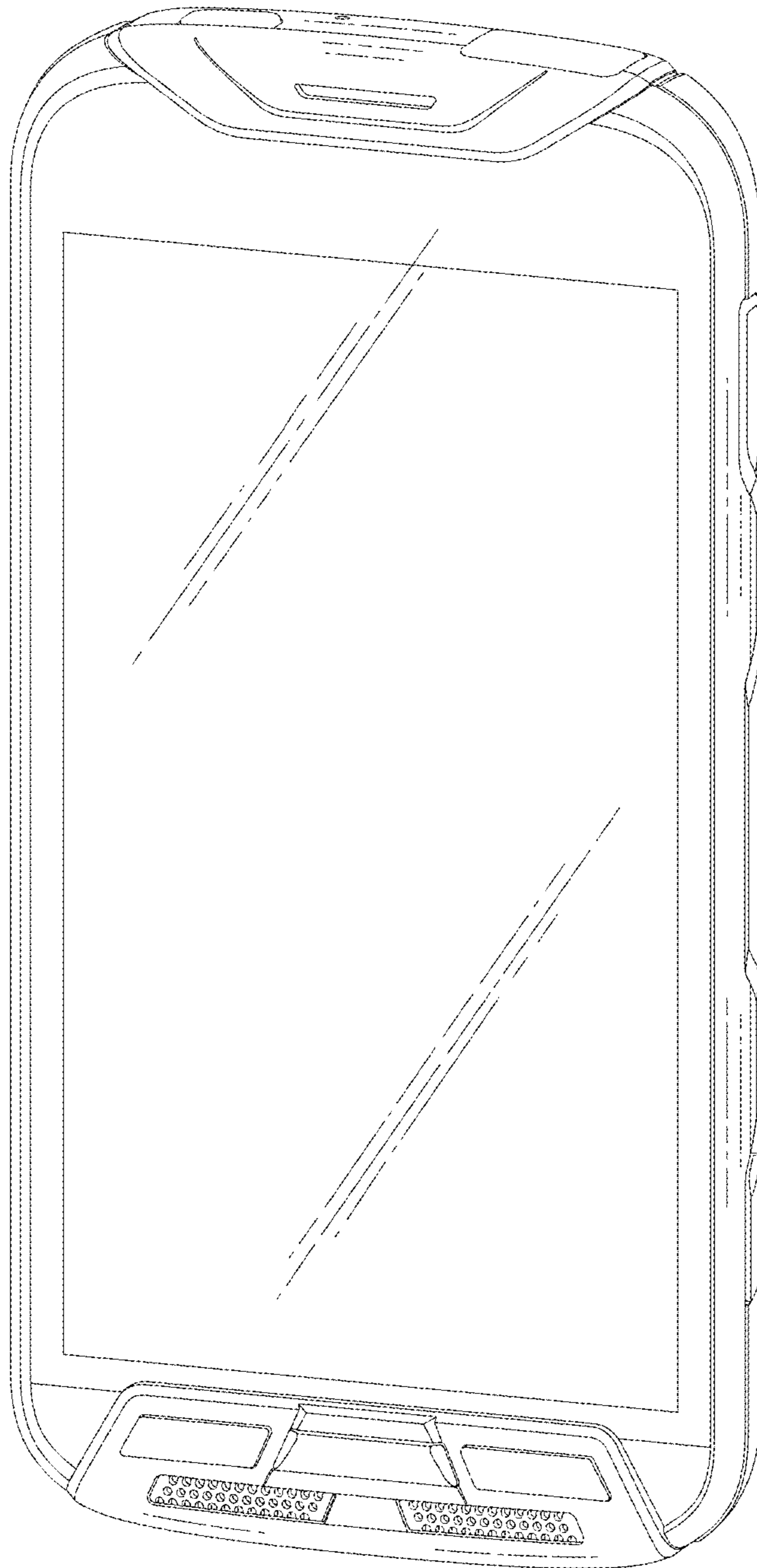
**References Cited**

U.S. PATENT DOCUMENTS

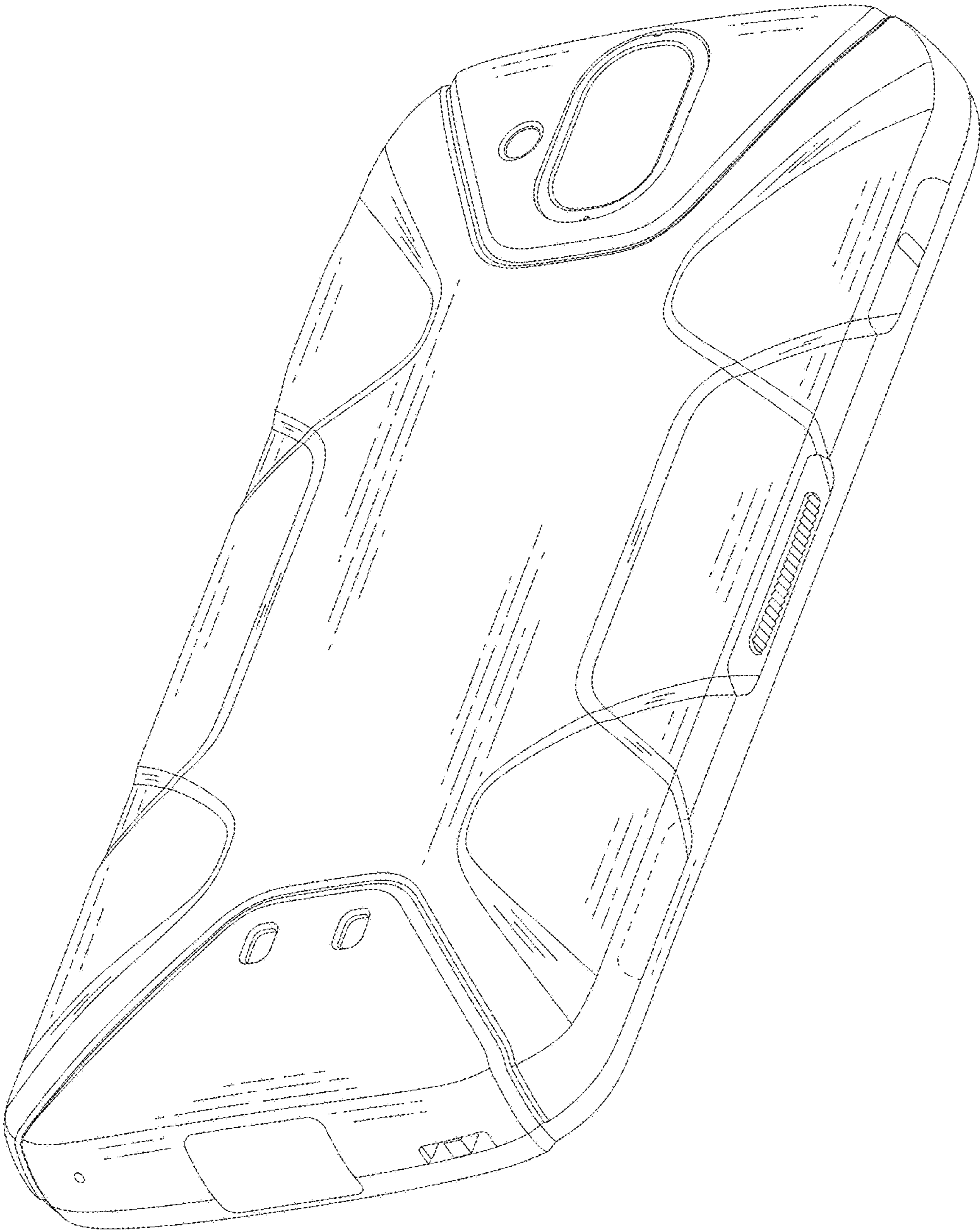
2014/0069825 A1\* 3/2014 Macrina ..... B65D 81/022  
206/37  
2014/0268518 A1\* 9/2014 Huang ..... H04B 1/3883  
361/679.01

\* cited by examiner

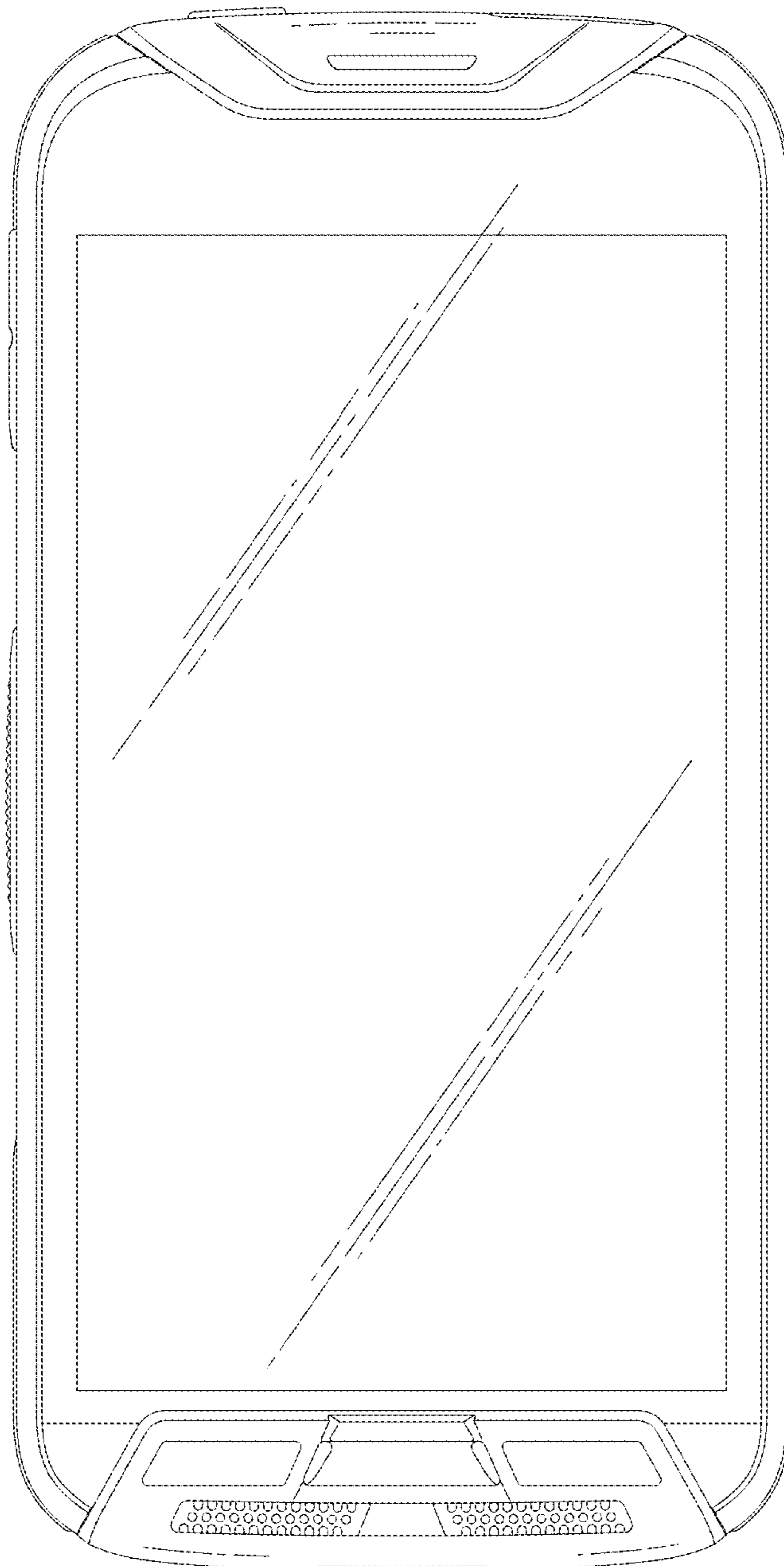
*FIG. 1*



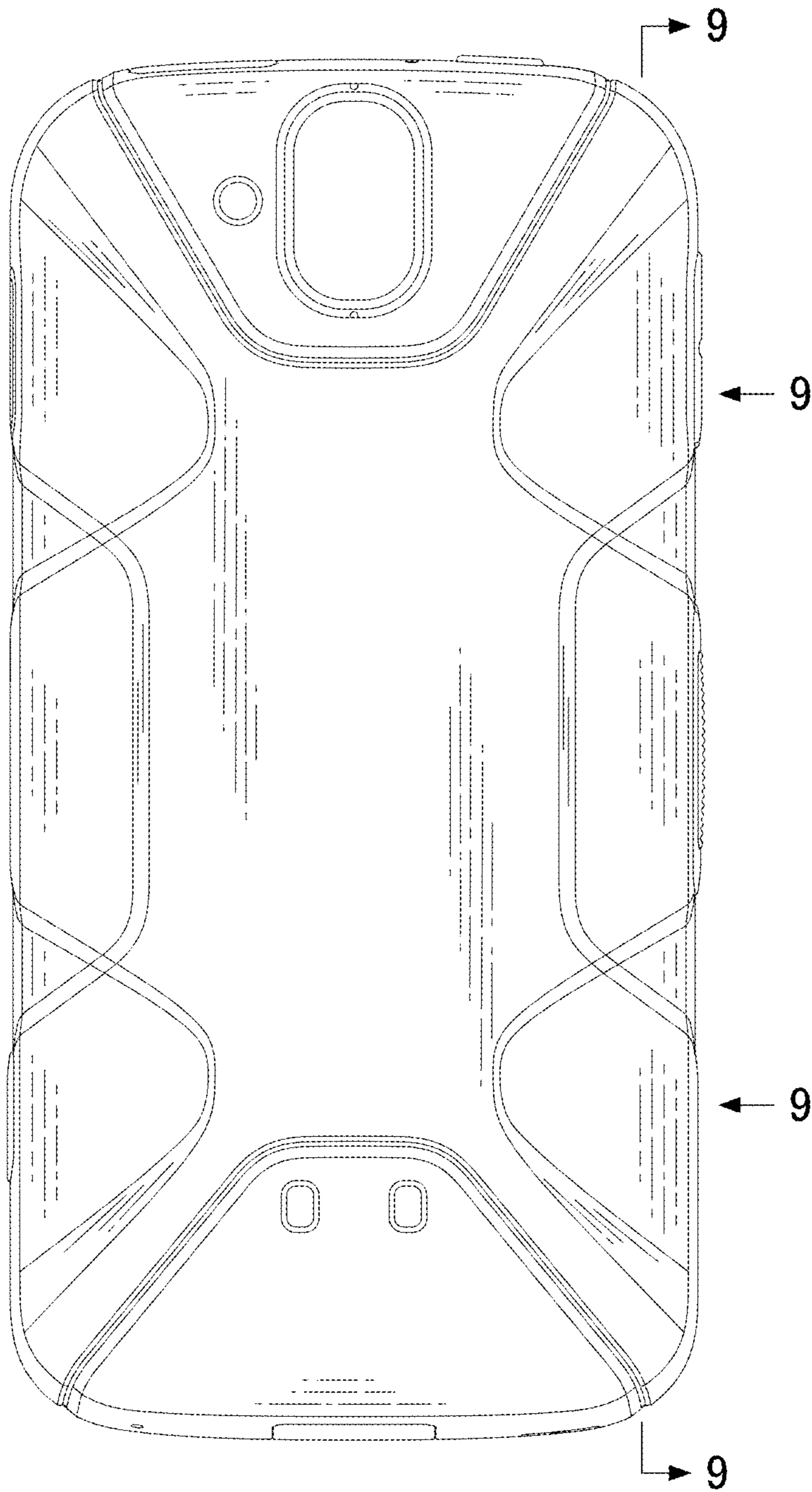
*FIG. 2*



*FIG. 3*



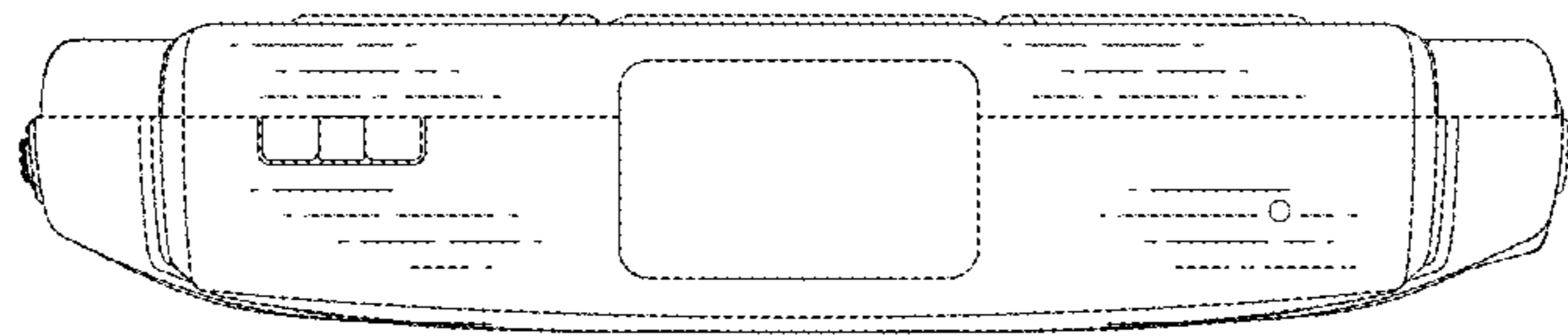
*FIG. 4*



*FIG. 5*

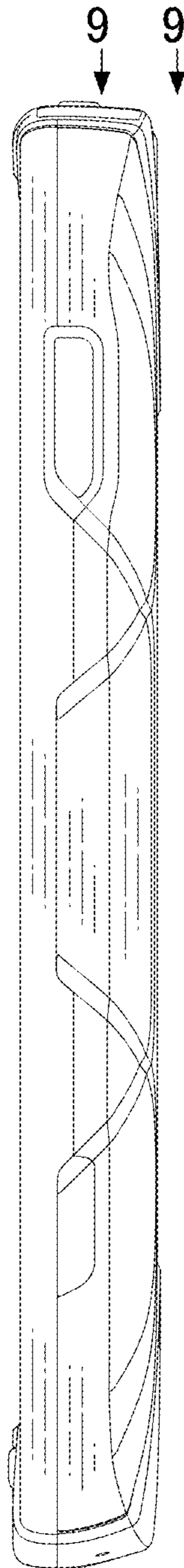


*FIG. 6*

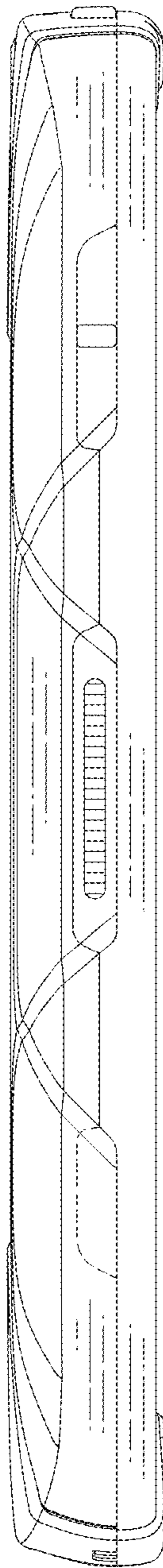




*FIG. 7*



*FIG. 8*



*FIG. 9*

