



US00D797693S

(12) **United States Design Patent** (10) **Patent No.:** **US D797,693 S**  
**Park et al.** (45) **Date of Patent:** **\*\* \*Sep. 19, 2017**

(54) **MOBILE PHONE**

(71) Applicant: **LG ELECTRONICS INC.**, Seoul (KR)

(72) Inventors: **Soonhyun Park**, Seoul (KR); **Cheolwoong Shin**, Seoul (KR); **Hongsik Kim**, Seoul (KR); **Jinki Min**, Seoul (KR); **Seunghwan Song**, Seoul (KR); **Byunghyun Yi**, Seoul (KR); **Jiyoun Cha**, Seoul (KR)

(73) Assignee: **LG ELECTRONICS INC.**, Seoul (KR)

(\*) Notice: This patent is subject to a terminal disclaimer.

(\*\*) Term: **15 Years**

(21) Appl. No.: **29/534,372**

(22) Filed: **Jul. 28, 2015**

(30) **Foreign Application Priority Data**

Jan. 29, 2015 (KR) ..... 30-2015-0004879

(51) **LOC (10) Cl.** ..... **14-03**

(52) **U.S. Cl.**  
USPC ..... **D14/138 AB; D14/345**

(58) **Field of Classification Search**  
USPC ..... D14/138 AA, 138 AB, 138 AD, 138 G, D14/138 R, 341, 345, 203.7, 248, 344,  
(Continued)

(56) **References Cited**

**U.S. PATENT DOCUMENTS**

D554,149 S \* 10/2007 Kim ..... D14/496  
D654,050 S \* 2/2012 Duan ..... D14/138 AB  
(Continued)

*Primary Examiner* — Cathron Brooks

*Assistant Examiner* — Aula Soroush

(74) *Attorney, Agent, or Firm* — Birch, Stewart, Kolasch & Birch, LLP

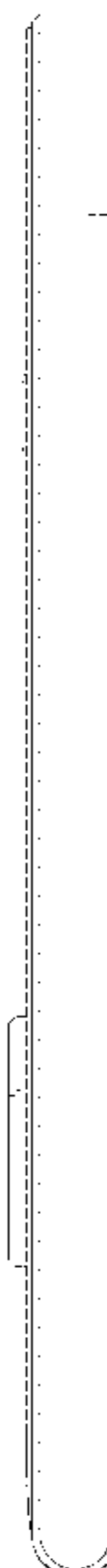
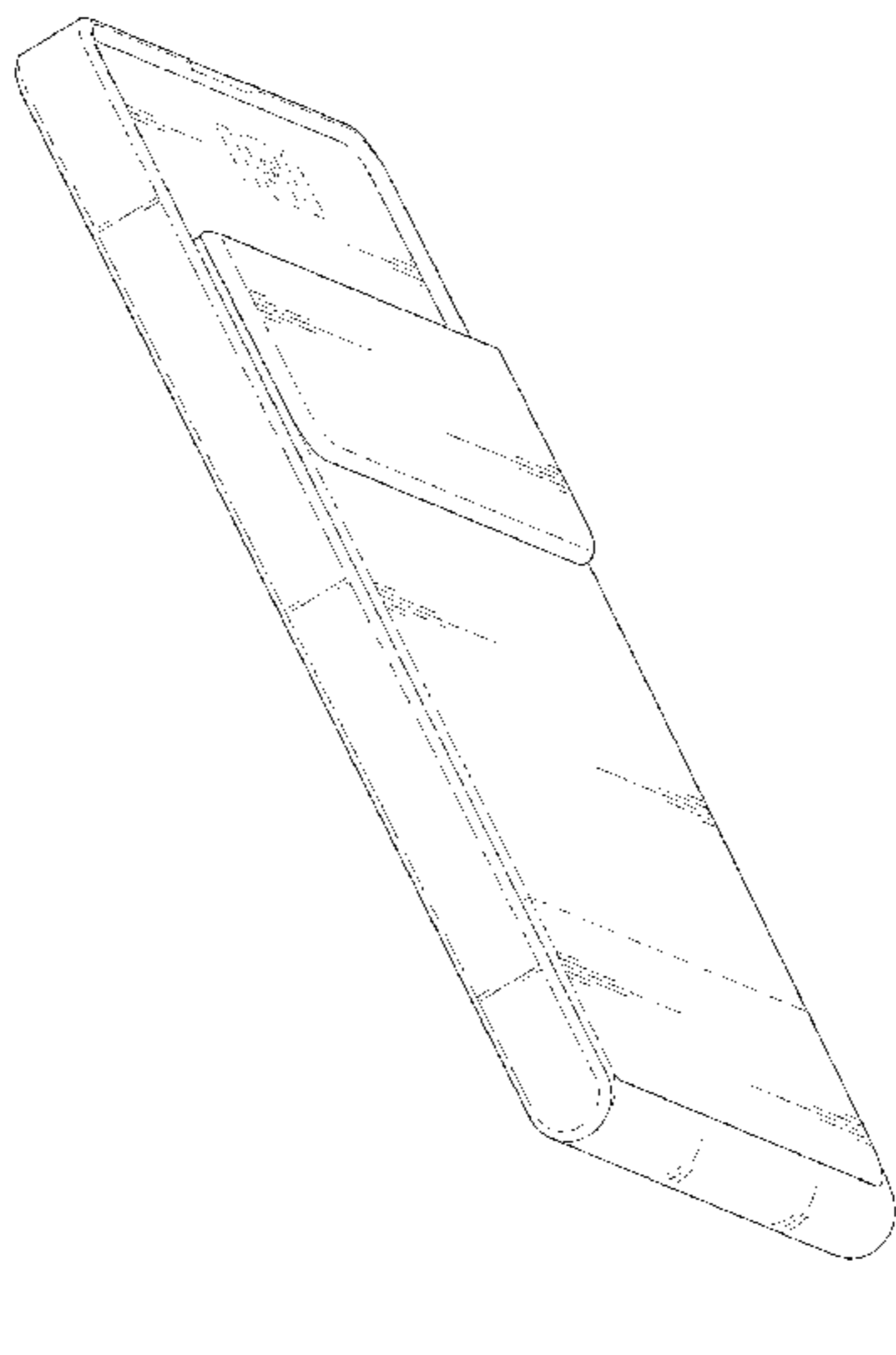
(57) **CLAIM**

The ornamental design for a mobile phone, as shown and described.

**DESCRIPTION**

FIG. 1 is a perspective view of the mobile phone showing our new design;  
FIG. 2 is a front view thereof;  
FIG. 3 is a rear view thereof;  
FIG. 4 is a left side view thereof where the right side view is a mirror image;  
FIG. 5 is a top plan view thereof;  
FIG. 6 is a bottom plan view thereof;  
FIG. 7 is a rear perspective view thereof;  
FIG. 8 is a rear perspective view thereof in a condition that the rear-upper cover is open;  
FIG. 9 is a rear view of FIG. 8;  
FIG. 10 is left side view of FIG. 8;  
FIG. 11 is a top plan view of FIG. 8;  
FIG. 12 is a bottom plan view of FIG. 8;  
FIG. 13 is a rear perspective view thereof in a condition that the rear-lower cover is open;  
FIG. 14 is a rear view of FIG. 13;  
FIG. 15 is left side view of FIG. 13; and,  
FIG. 16 is a top plan view of FIG. 13.  
The broken lines shown in the figures that are immediately adjacent to the shaded areas and define unshaded regions represent the bounds of the claim. All other broken lines, including the features within broken line boundaries and the broken lines of the display rectangle, and the circular and square camera features, are directed to environment. The broken lines form no part of the claimed design.

**1 Claim, 14 Drawing Sheets**



(58) **Field of Classification Search**

USPC ..... D14/496; D10/65; D27/186; D3/218,  
D3/247; D28/64.1; D6/300-302, 312;  
D19/26

CPC .... G06F 1/1652; G06F 1/1616; G06F 1/1618;  
G06F 1/1624; H04M 1/0222; H04M  
1/0254; H04M 1/0256

See application file for complete search history.

(56) **References Cited**

U.S. PATENT DOCUMENTS

D681,054 S \* 4/2013 Koh ..... D14/496  
D685,342 S \* 7/2013 Cetera ..... D14/203.4  
D696,693 S \* 12/2013 Kim ..... D14/341  
8,616,327 B1 \* 12/2013 Palacios ..... H04M 1/035  
181/175  
D753,088 S \* 4/2016 Wu ..... D14/138 G  
D768,105 S \* 10/2016 Kim ..... D14/138 G  
D770,999 S \* 11/2016 Park ..... D14/138 G  
2016/0291642 A1 \* 10/2016 Kwak ..... G06F 1/1652  
2016/0323430 A1 \* 11/2016 Fiori ..... H04B 1/3877  
2017/0023986 A1 \* 1/2017 Xin ..... G06F 1/1681  
2017/0026069 A1 \* 1/2017 Kim ..... H04B 1/3888

\* cited by examiner

FIG. 1

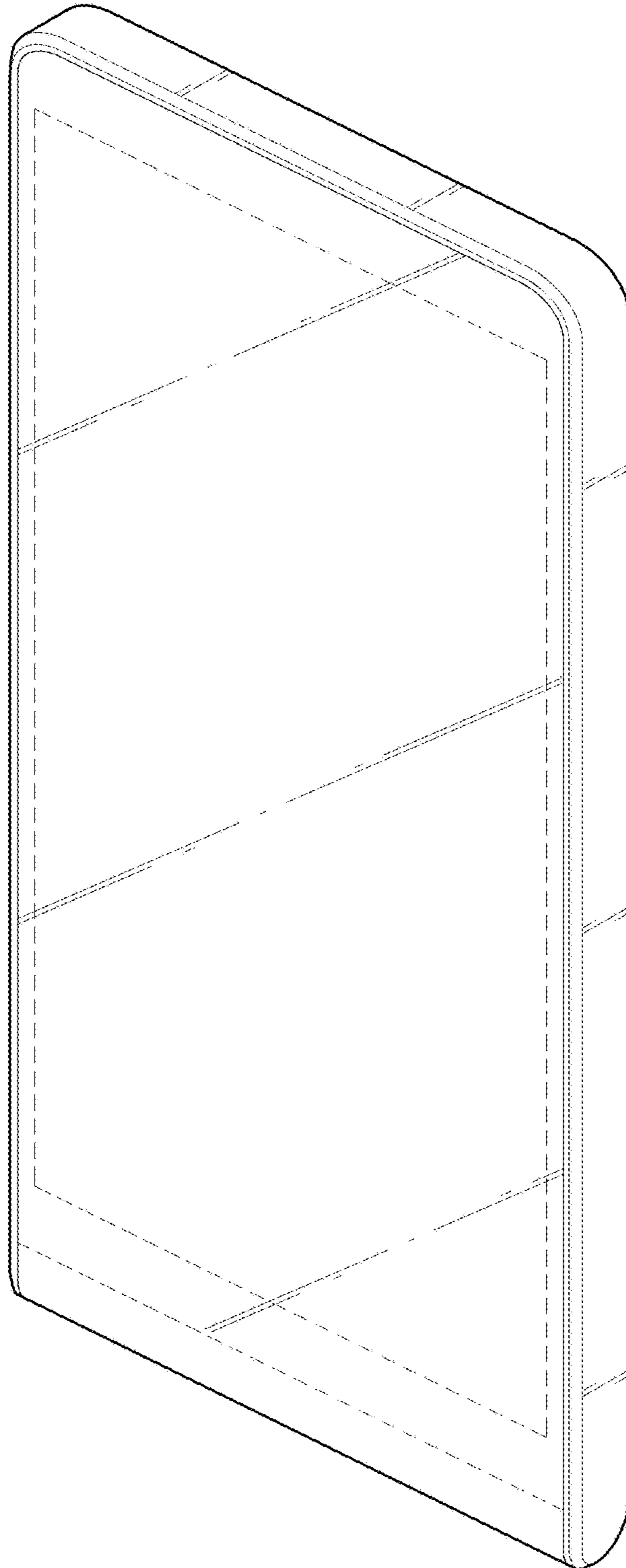


FIG. 2

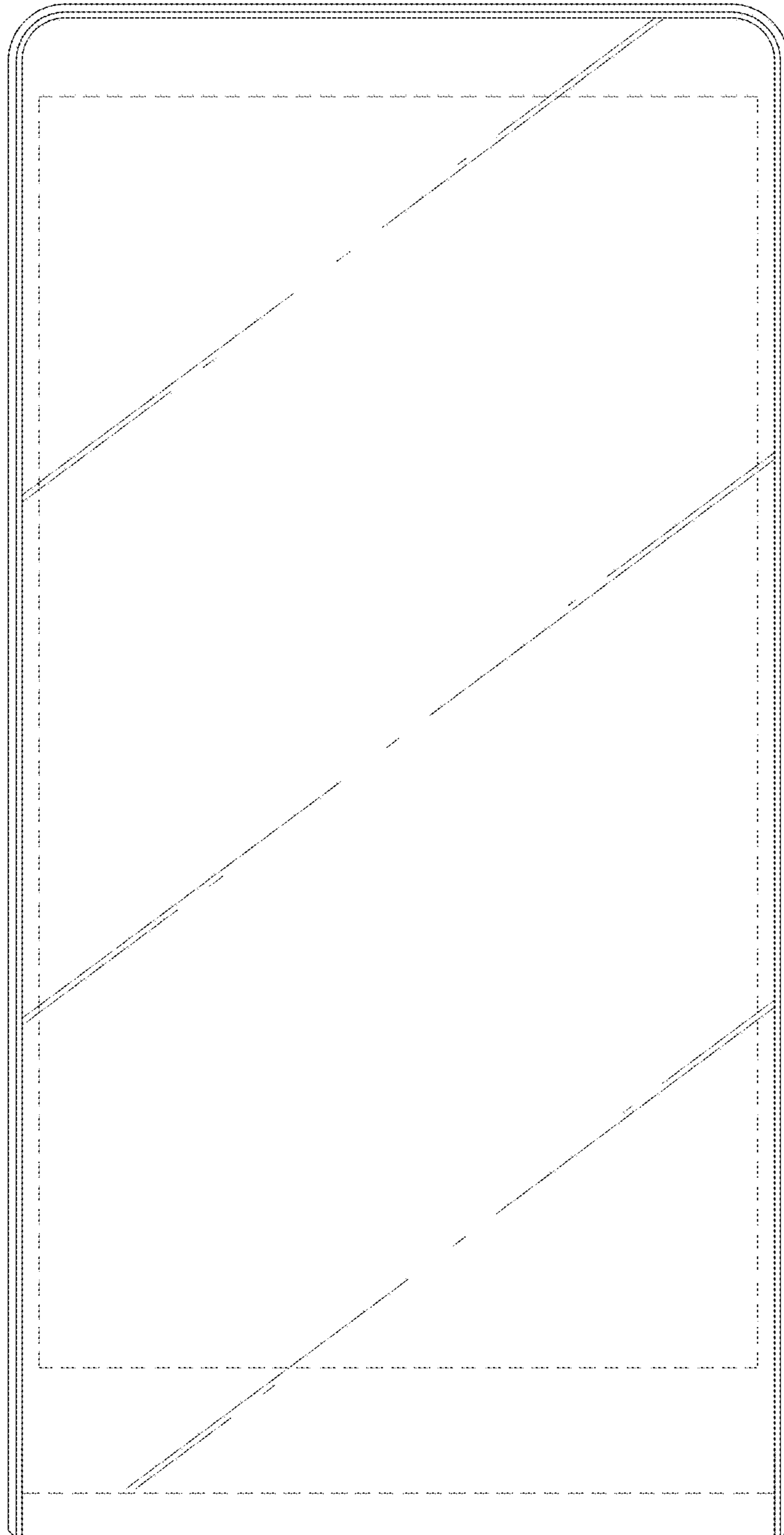


FIG. 3

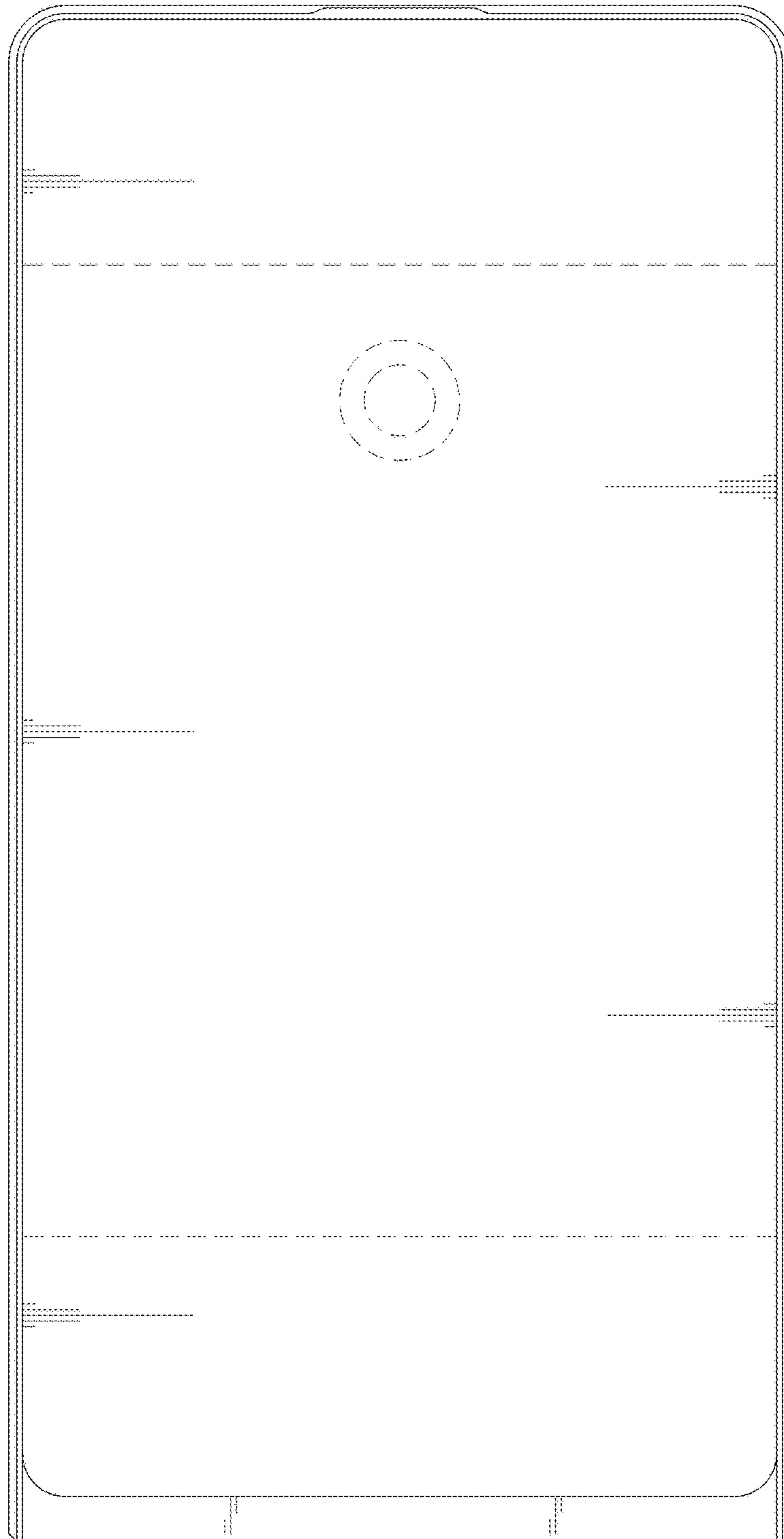


FIG. 4

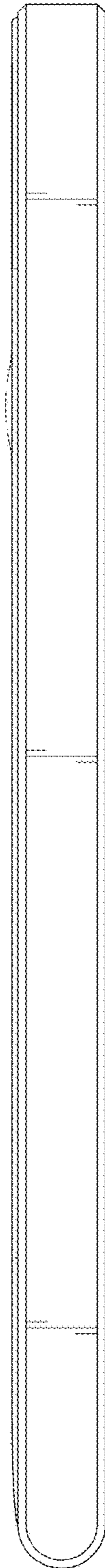


FIG. 5

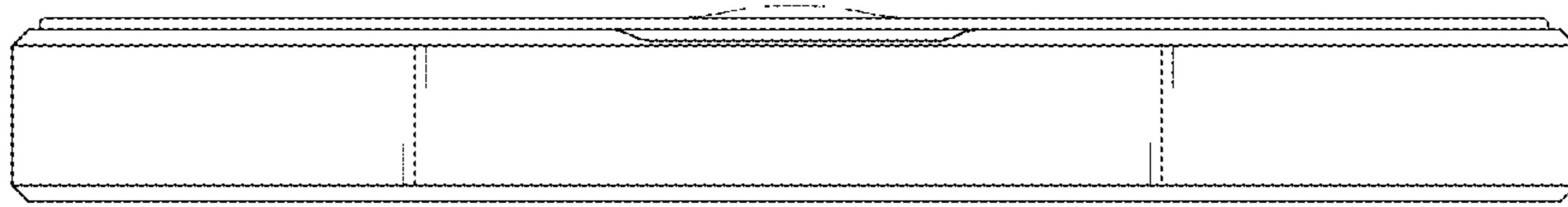


FIG. 6



FIG. 7

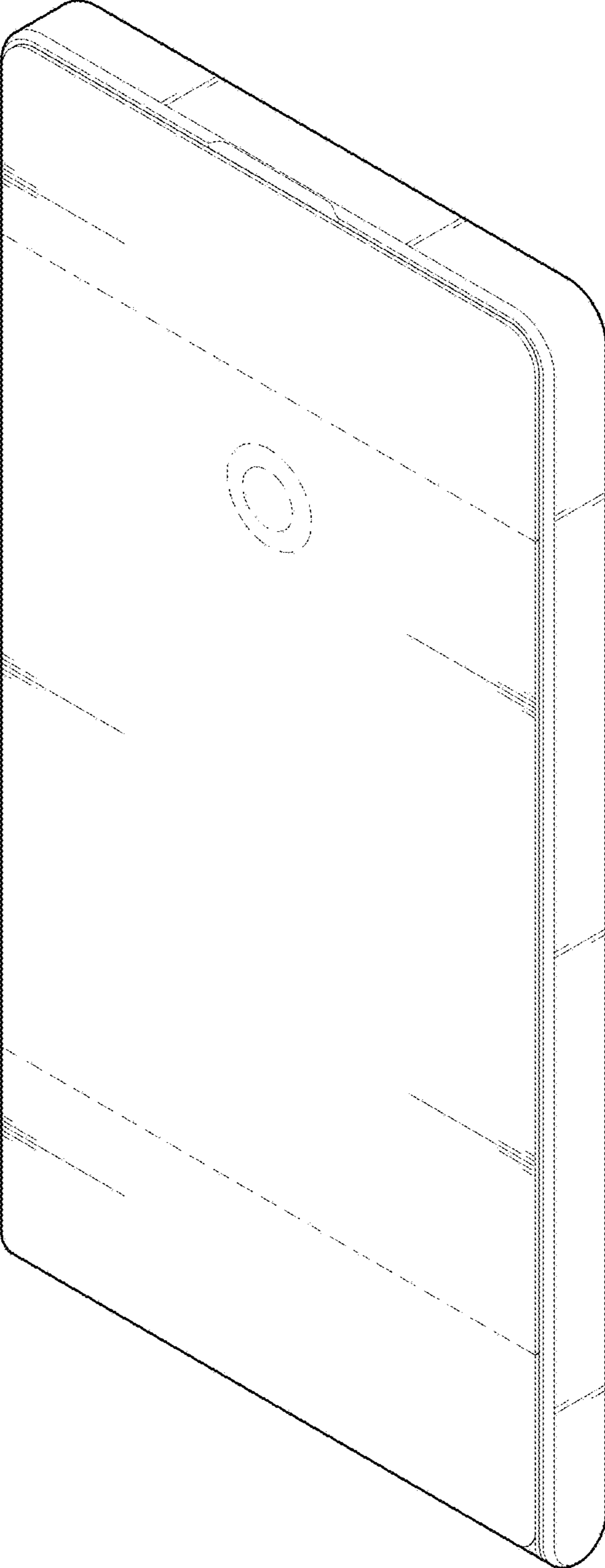




FIG. 8

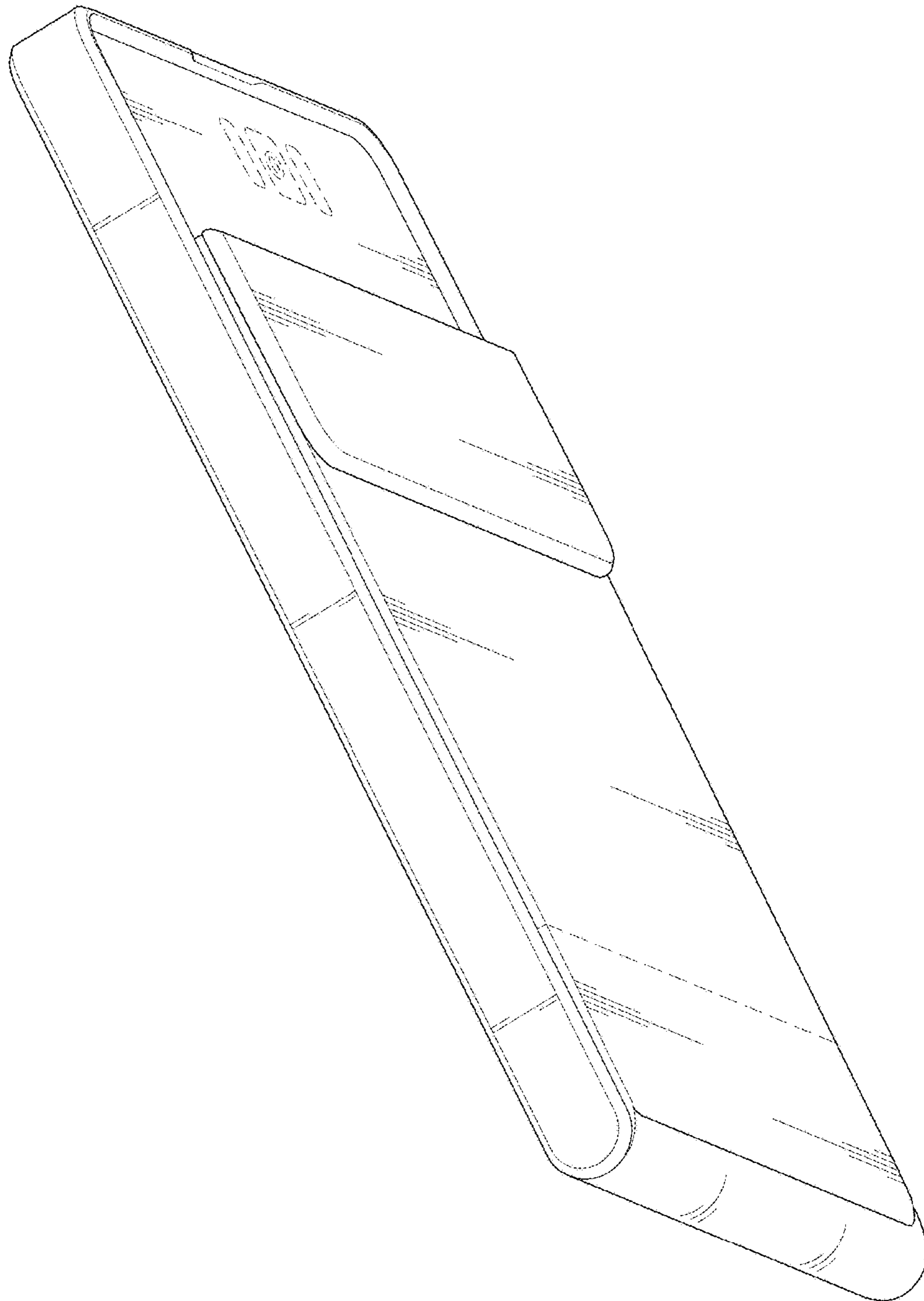


FIG. 9

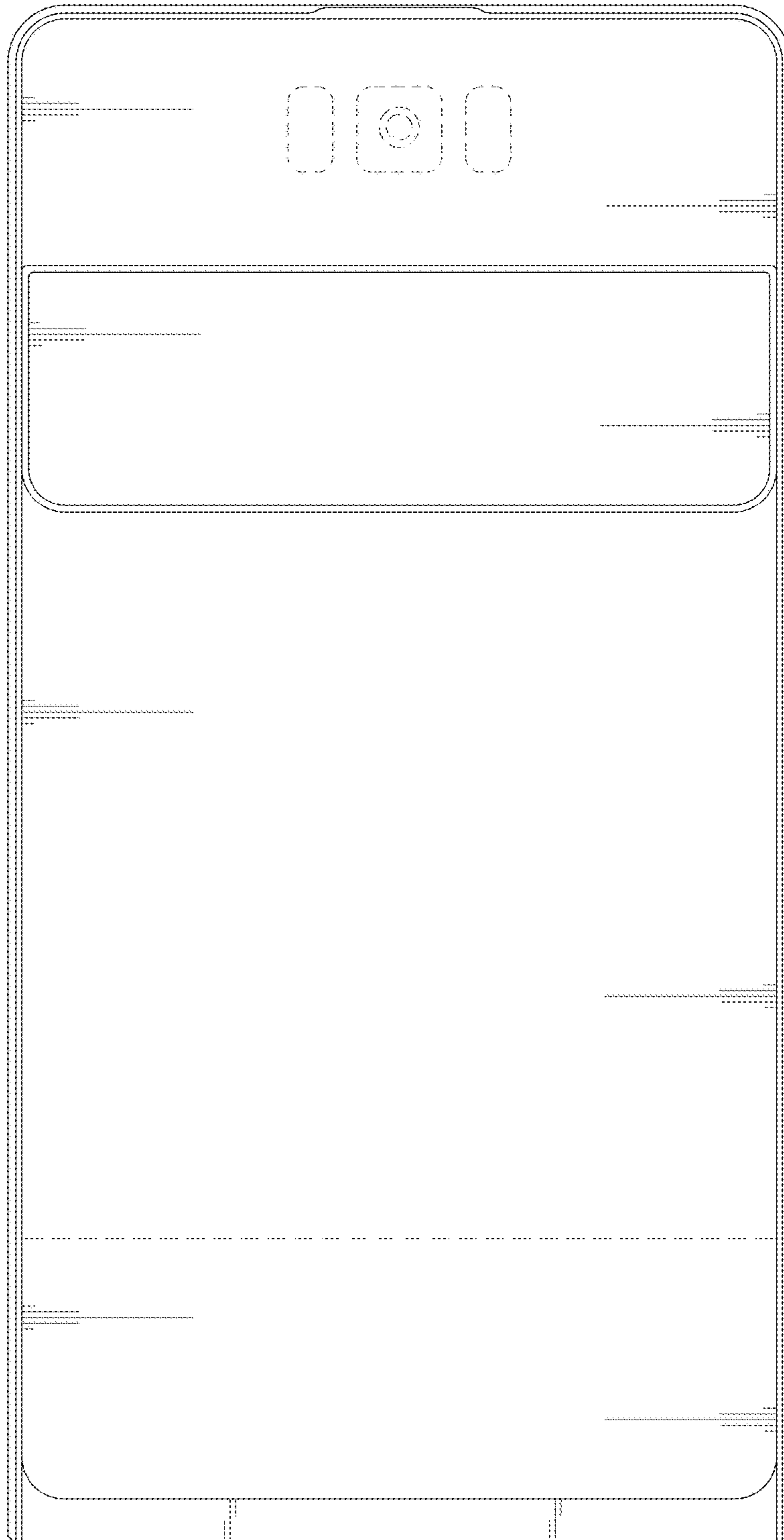


FIG. 10

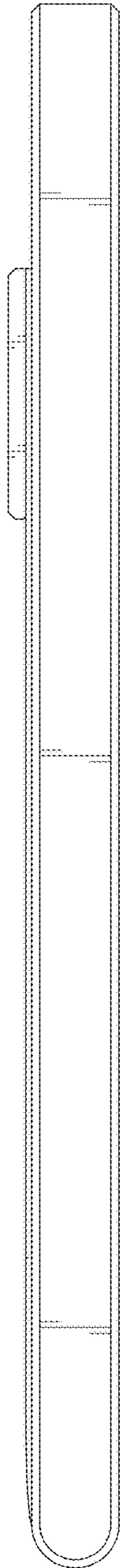


FIG. 11

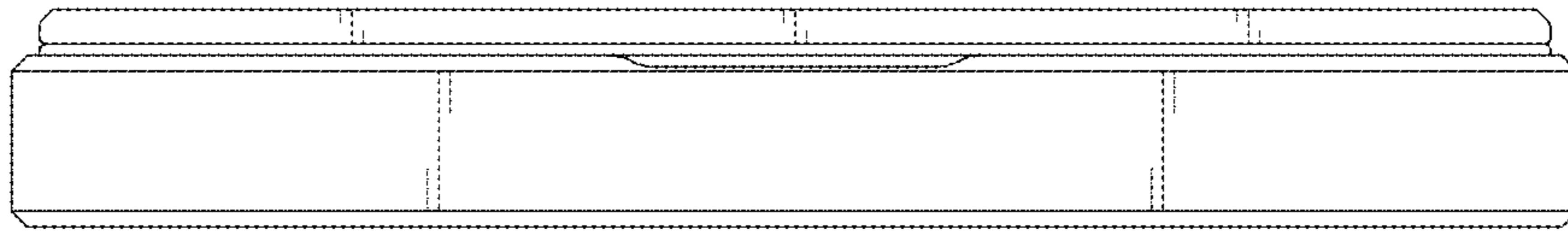


FIG. 12

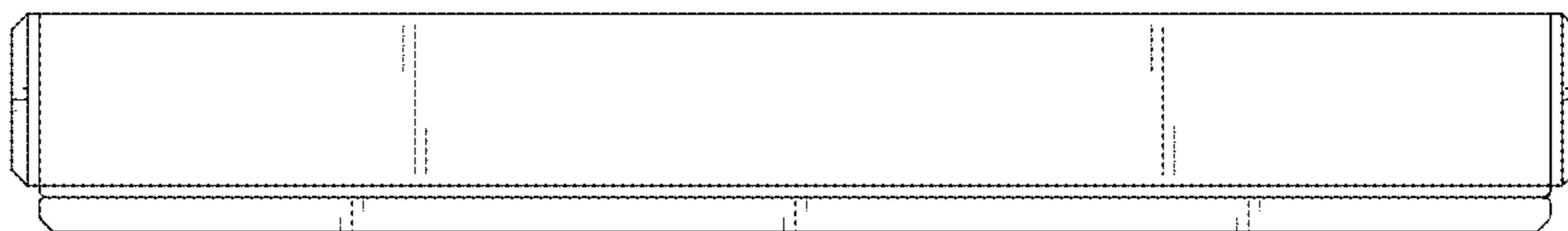


FIG. 13

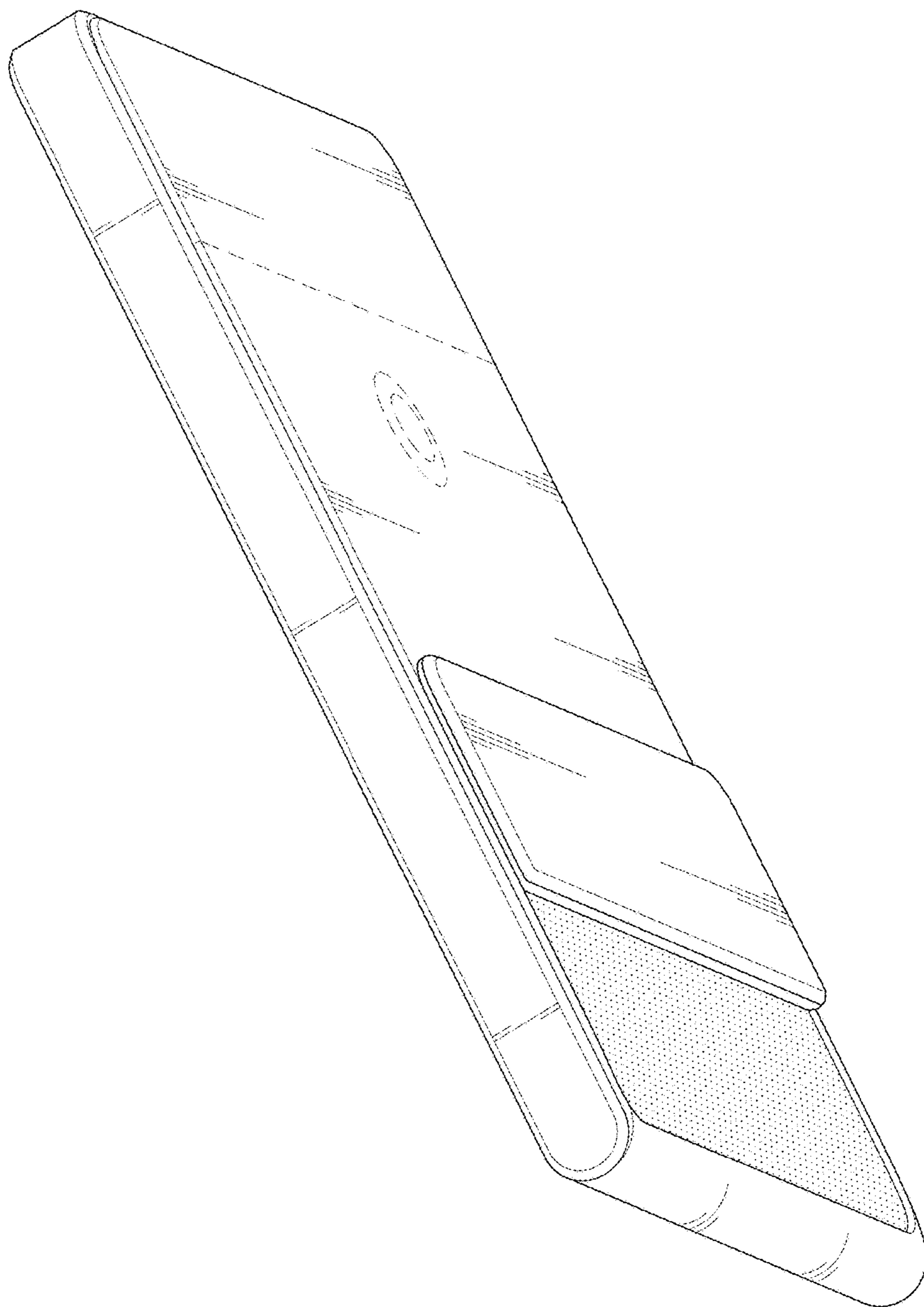


FIG. 14

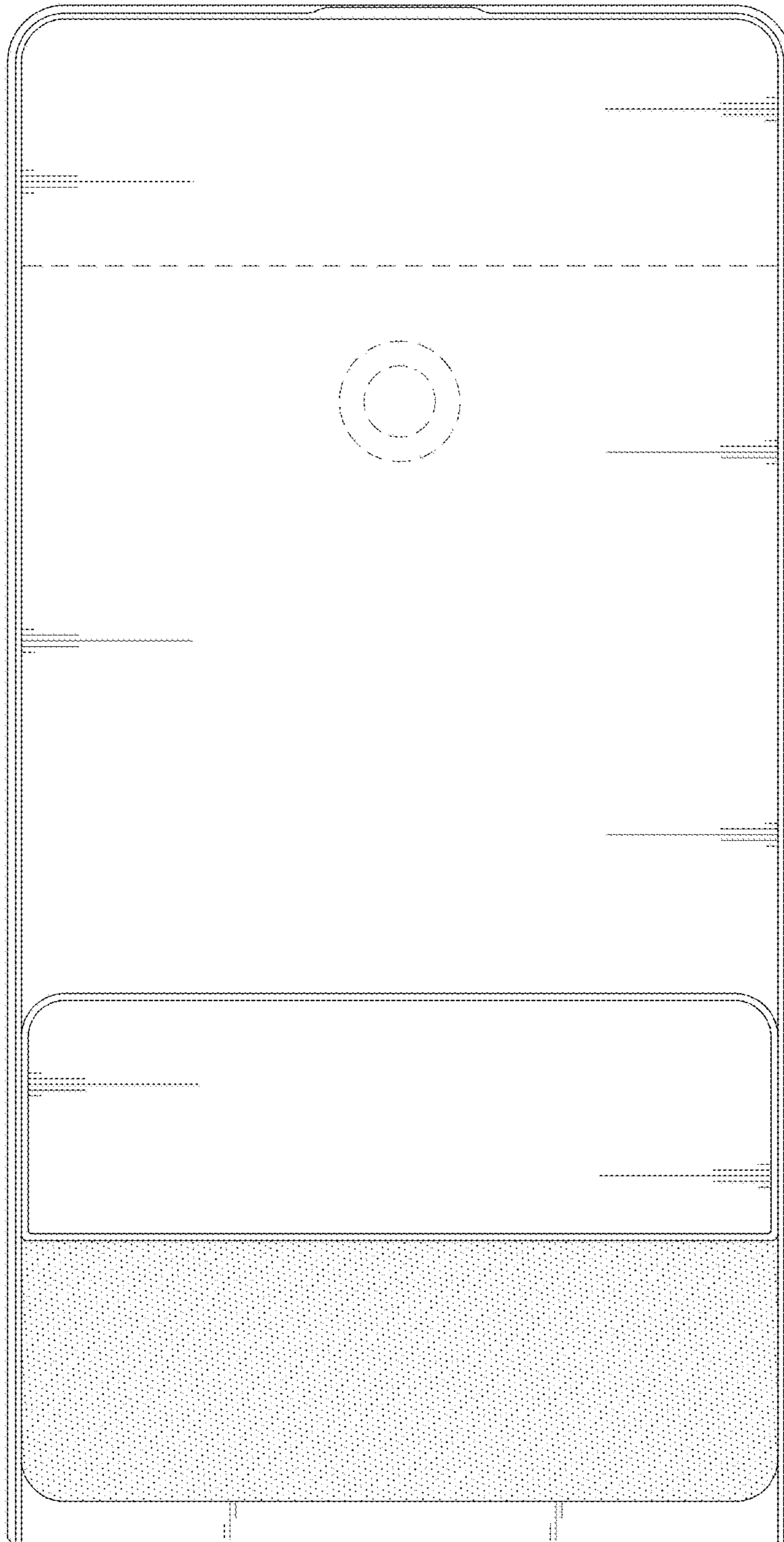


FIG. 15

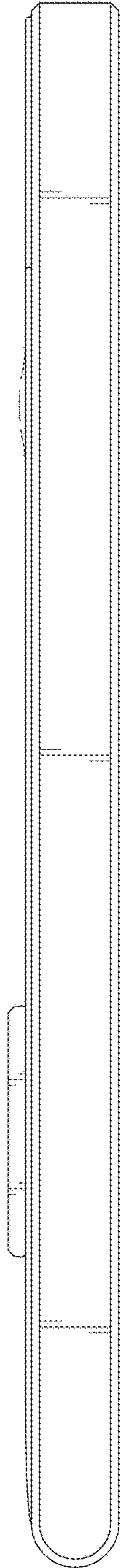


FIG. 16

