



US00D797689S

(12) **United States Design Patent**
Yeh et al.

(10) **Patent No.:** **US D797,689 S**
(45) **Date of Patent:** **** Sep. 19, 2017**

(54) **LIGHT-EMITTING DIODE ARRAY**

(71) Applicant: **EPISTAR CORPORATION**, Hsinchu (TW)

(72) Inventors: **Hui-Chun Yeh**, Hsinchu (TW);
Jhieh-Yong Yang, Hsinchu (TW);
Chien-Fu Shen, Hsinchu (TW);
Tsun-Kai Ko, Hsinchu (TW)

(73) Assignee: **EPISTAR CORPORATION**, Hsinchu (TW)

(**) Term: **15 Years**

(21) Appl. No.: **29/575,335**

(22) Filed: **Aug. 24, 2016**

(30) **Foreign Application Priority Data**

Feb. 24, 2016 (TW) 105300845

(51) **LOC (10) Cl.** **13-03**

(52) **U.S. Cl.**
USPC **D13/180**

(58) **Field of Classification Search**

USPC D13/180; D26/1
CPC ... H01L 25/167; H01L 25/0753; H01L 27/15;
H01L 27/156; H01L 33/00; H01L 33/04;
H01L 33/08; H01L 33/10; H01L 33/20;
H01L 33/38; H01L 33/42; H01L 33/48;
H01L 33/483; H01L 33/486; F21K 9/135;
F21K 9/30; F21K 9/50; Y10S 362/80

See application file for complete search history.

(56) **References Cited**

U.S. PATENT DOCUMENTS

D644,188 S * 8/2011 Shen D13/180
8,188,493 B2 * 5/2012 Li H01L 33/38
257/91
D681,566 S * 5/2013 Chen D13/180

(Continued)

Primary Examiner — Selina Sikder

(74) *Attorney, Agent, or Firm* — Muncy, Geissler, Olds & Lowe, P.C.

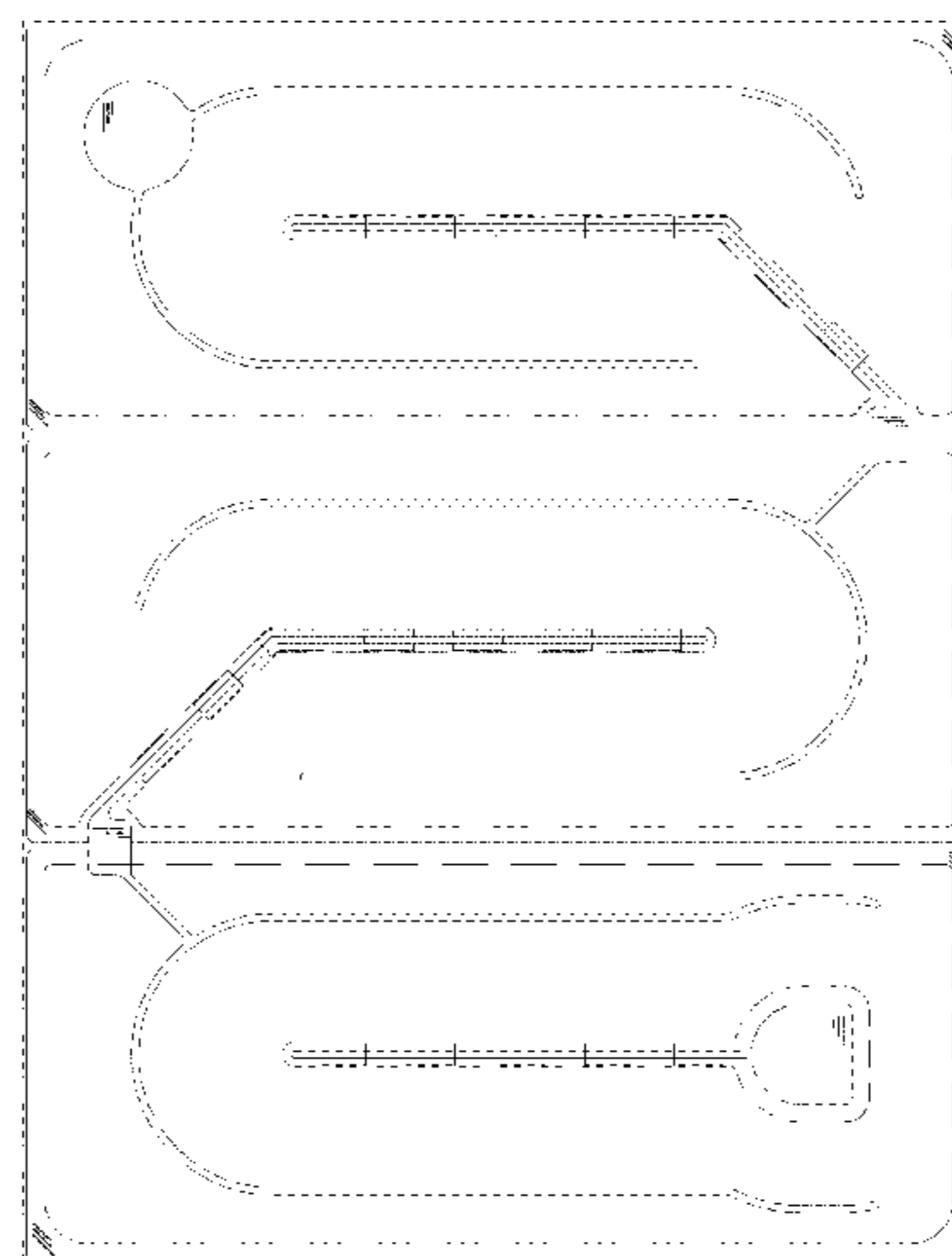
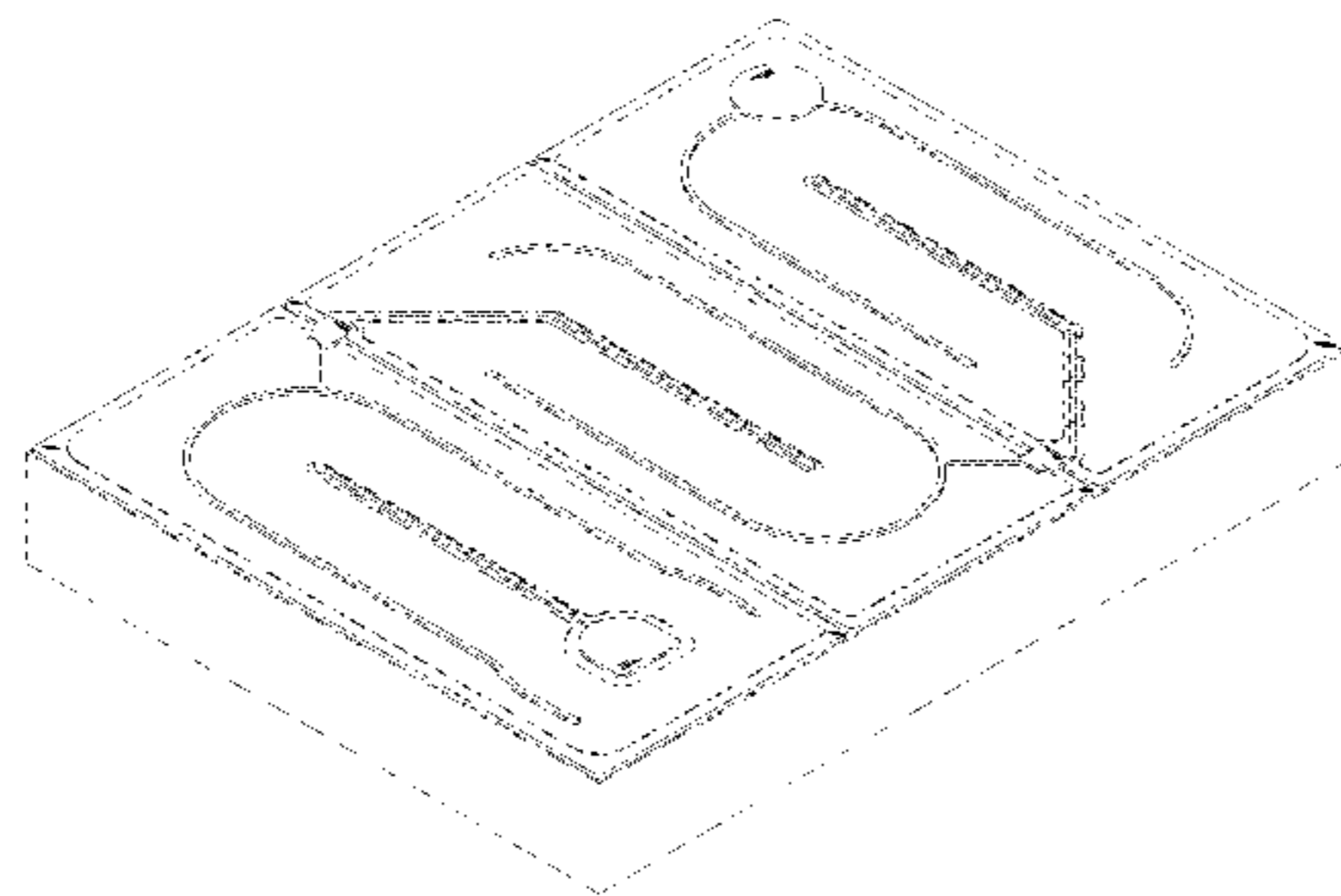
(57) **CLAIM**

The ornamental design for a light-emitting diode array, as shown and described.

DESCRIPTION

FIG. 1 is a perspective view of a light-emitting diode array showing our first example of the new design; FIG. 2 is another perspective view thereof; FIG. 3 is a front elevational view thereof; FIG. 4 is a rear elevational view thereof; FIG. 5 is a left side view thereof; FIG. 6 is a right side view thereof; FIG. 7 is a top plan view thereof; FIG. 8 is a bottom plan view thereof; FIG. 9 is a perspective view of a light-emitting diode array showing our second example of the new design; FIG. 10 is another perspective view thereof; FIG. 11 is a front elevational view thereof; FIG. 12 is a rear elevational view thereof; FIG. 13 is a left side view thereof; FIG. 14 is a right side view thereof; FIG. 15 is a top plan view thereof; FIG. 16 is a bottom plan view thereof; FIG. 17 is a perspective view of a light-emitting diode array showing our third example of the new design; FIG. 18 is another perspective view thereof; FIG. 19 is a front elevational view thereof; FIG. 20 is a rear elevational view thereof; FIG. 21 is a left side view thereof; FIG. 22 is a right side view thereof; FIG. 23 is a top plan view thereof; and, FIG. 24 is a bottom plan view thereof. The broken line showing is for the purpose of illustrating environmental structure only and forms no part of the claimed design.

1 Claim, 18 Drawing Sheets



(56)

References Cited

U.S. PATENT DOCUMENTS

D681,570 S * 5/2013 Wang D13/180
8,466,487 B2 * 6/2013 Emura H01L 33/38
257/99
D687,396 S * 8/2013 Chen D13/180
8,546,840 B2 * 10/2013 Inoue H01L 33/38
257/99
D744,966 S * 12/2015 Yeh D13/180
9,373,751 B2 * 6/2016 Sato H01L 33/36
9,472,724 B2 * 10/2016 Emura H01L 33/38
D770,399 S * 11/2016 Yeh D13/180
D770,401 S * 11/2016 Kim D13/180
9,577,152 B2 * 2/2017 Sato H01L 33/387
D782,426 S * 3/2017 Yeh D13/180
D782,427 S * 3/2017 Yeh D13/180
9,601,674 B2 * 3/2017 Yeh H01L 27/156
2003/0107053 A1 * 6/2003 Uemura H01L 33/32
257/200
2011/0089442 A1 * 4/2011 Jing H01L 25/0753
257/91
2011/0215363 A1 * 9/2011 Kimura H01L 33/36
257/99
2011/0316126 A1 * 12/2011 Emura H01L 33/44
257/632
2013/0214320 A1 * 8/2013 Onishi H01L 33/44
257/99
2015/0146426 A1 * 5/2015 Yeh H01L 27/156
362/249.06

* cited by examiner

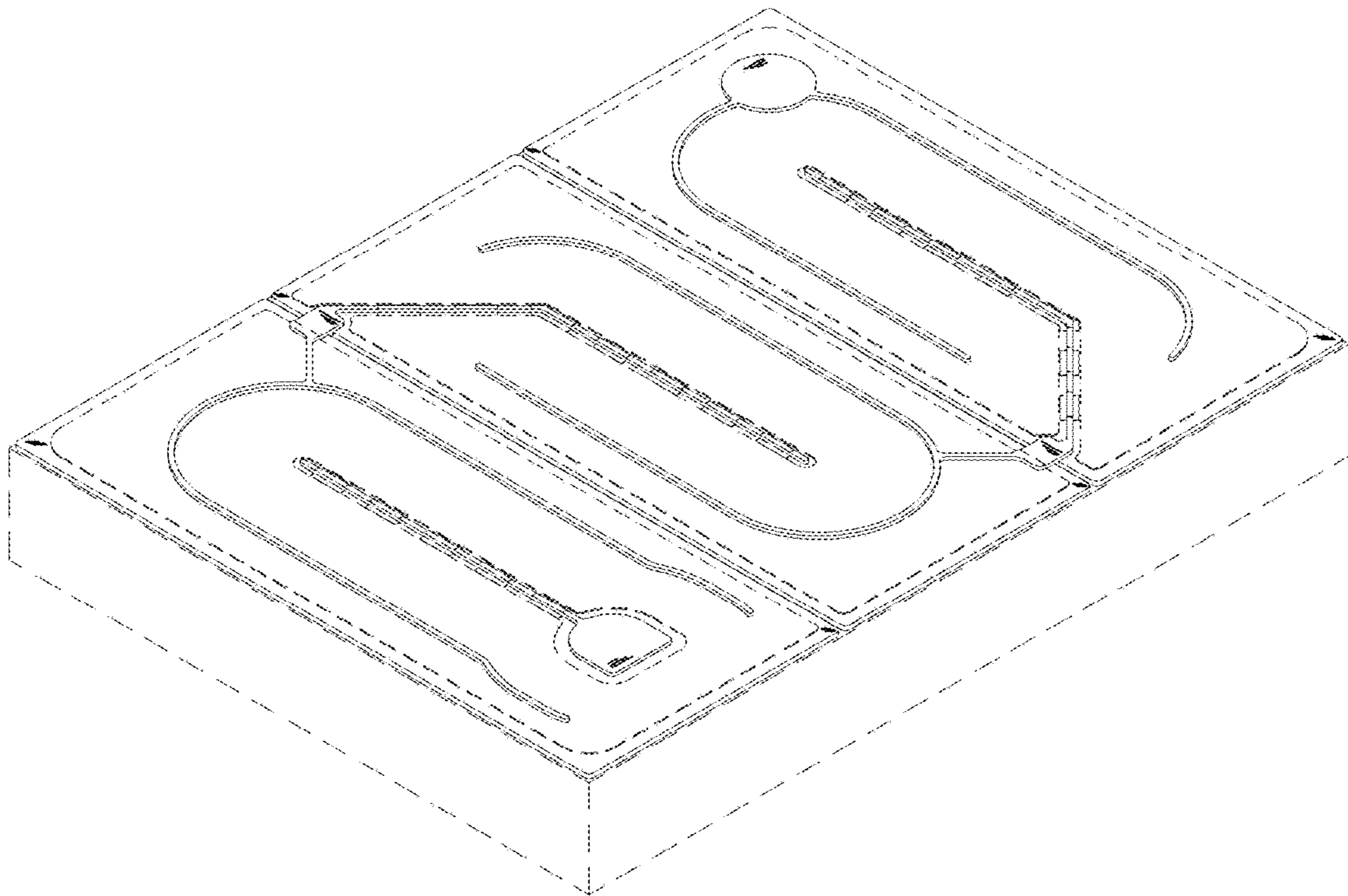


Fig. 1

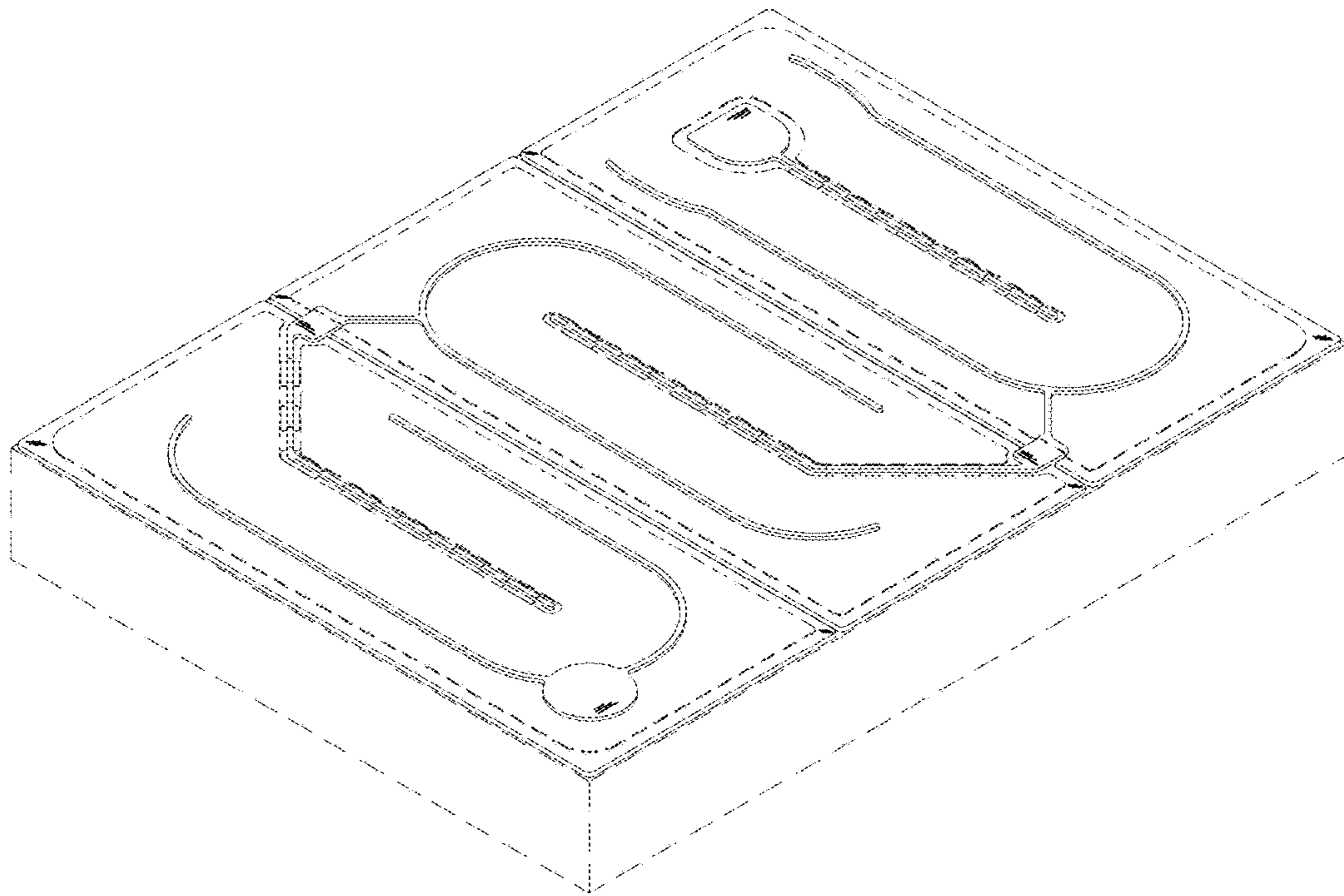


Fig. 2

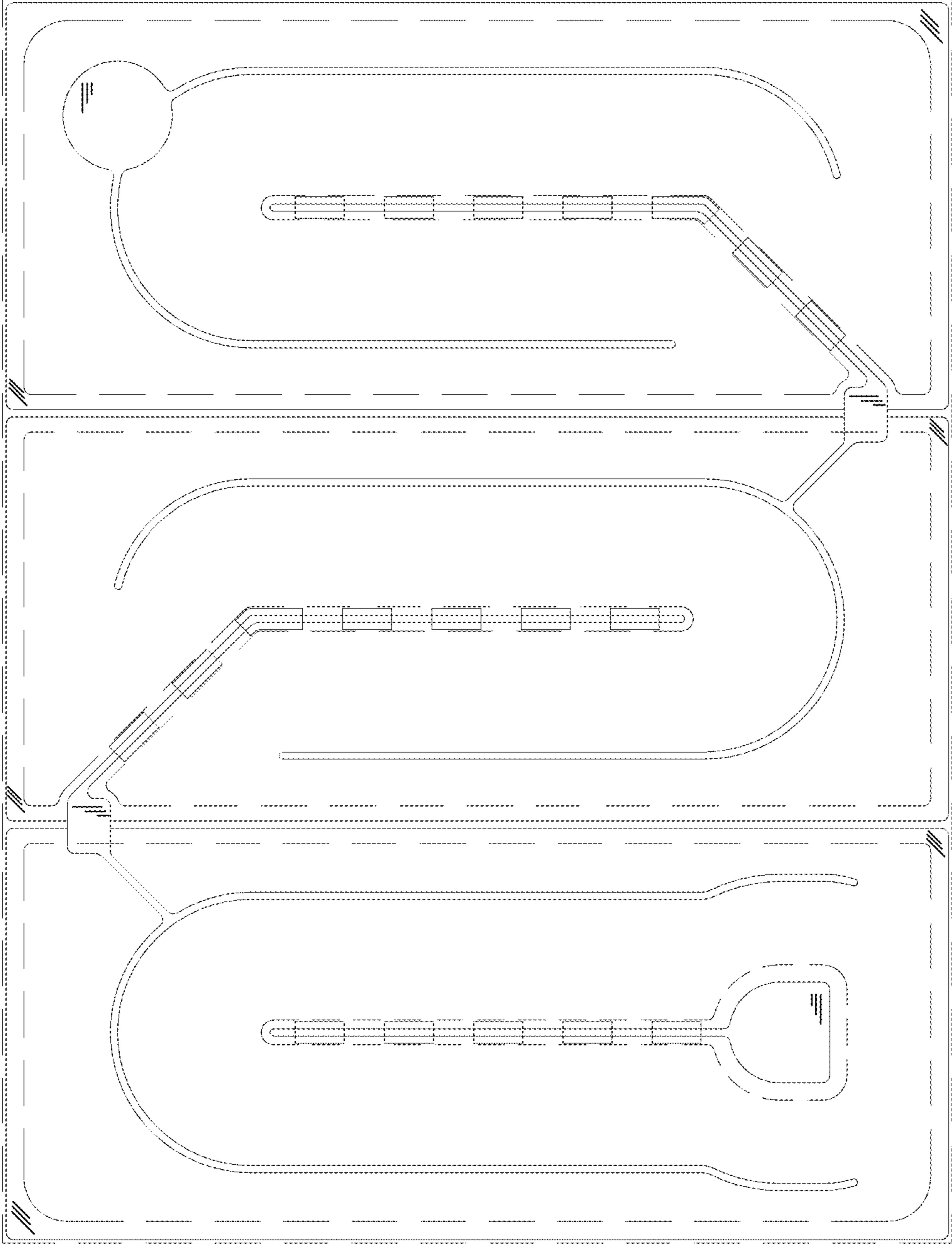


Fig. 3

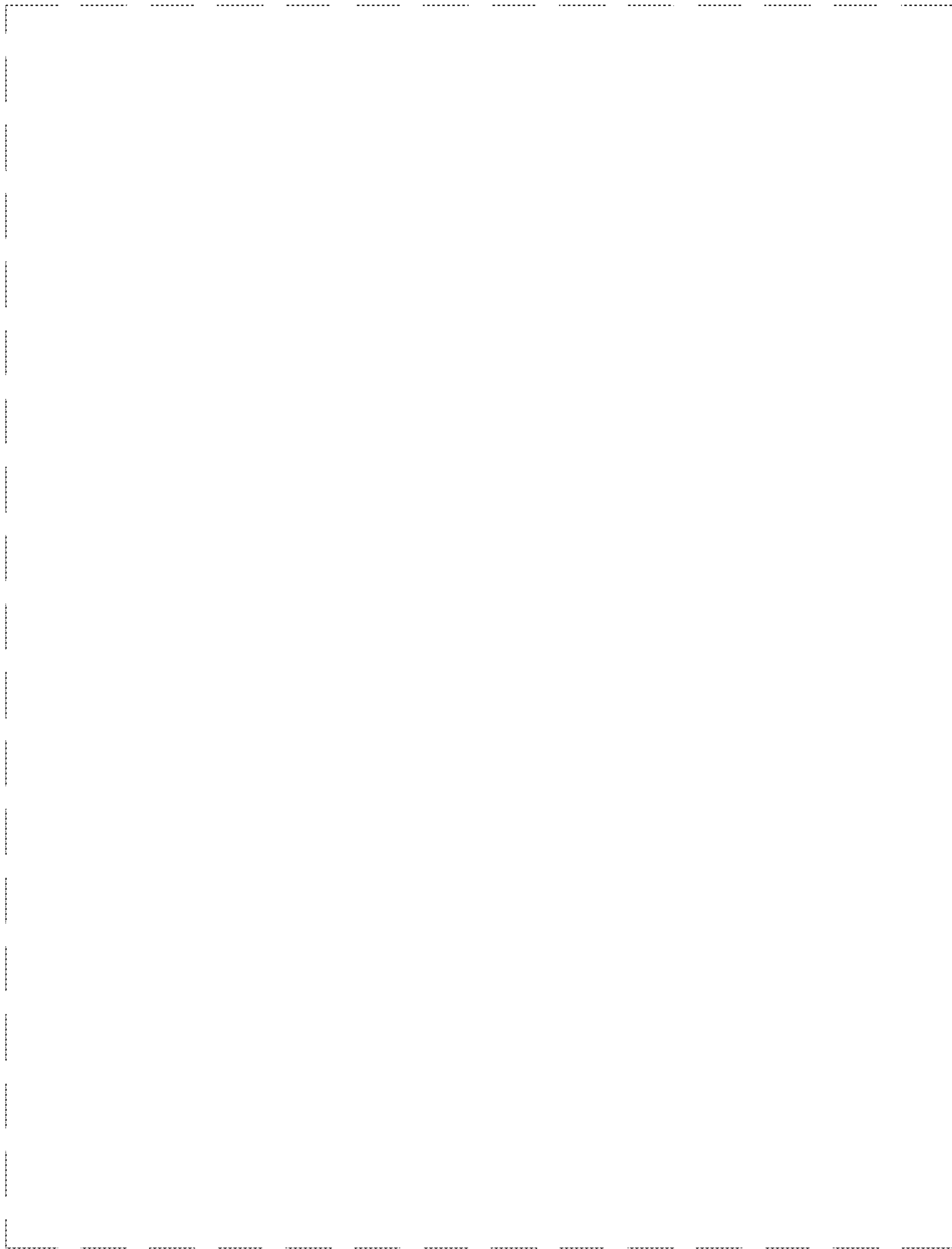


Fig. 4

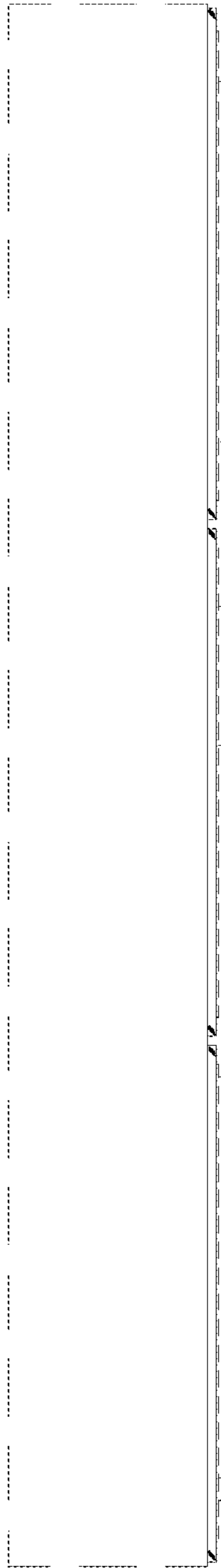


Fig. 5



Fig. 6



Fig. 7

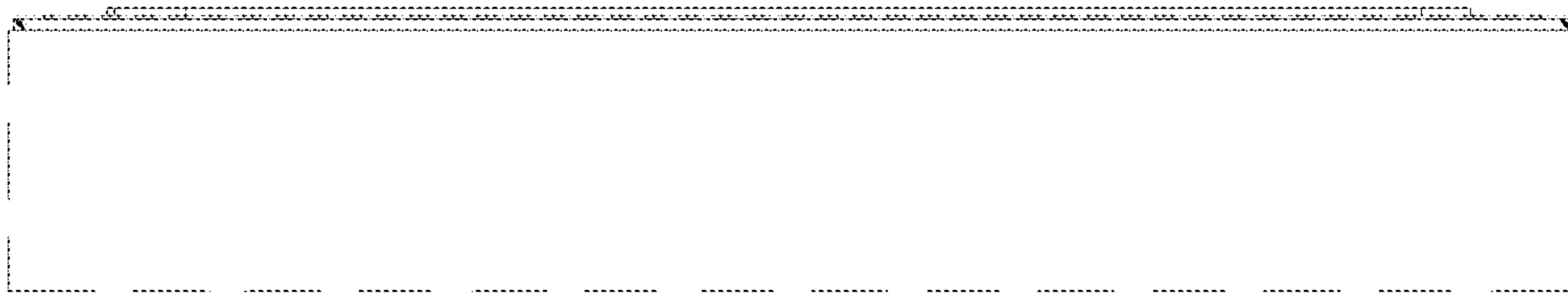


Fig. 8

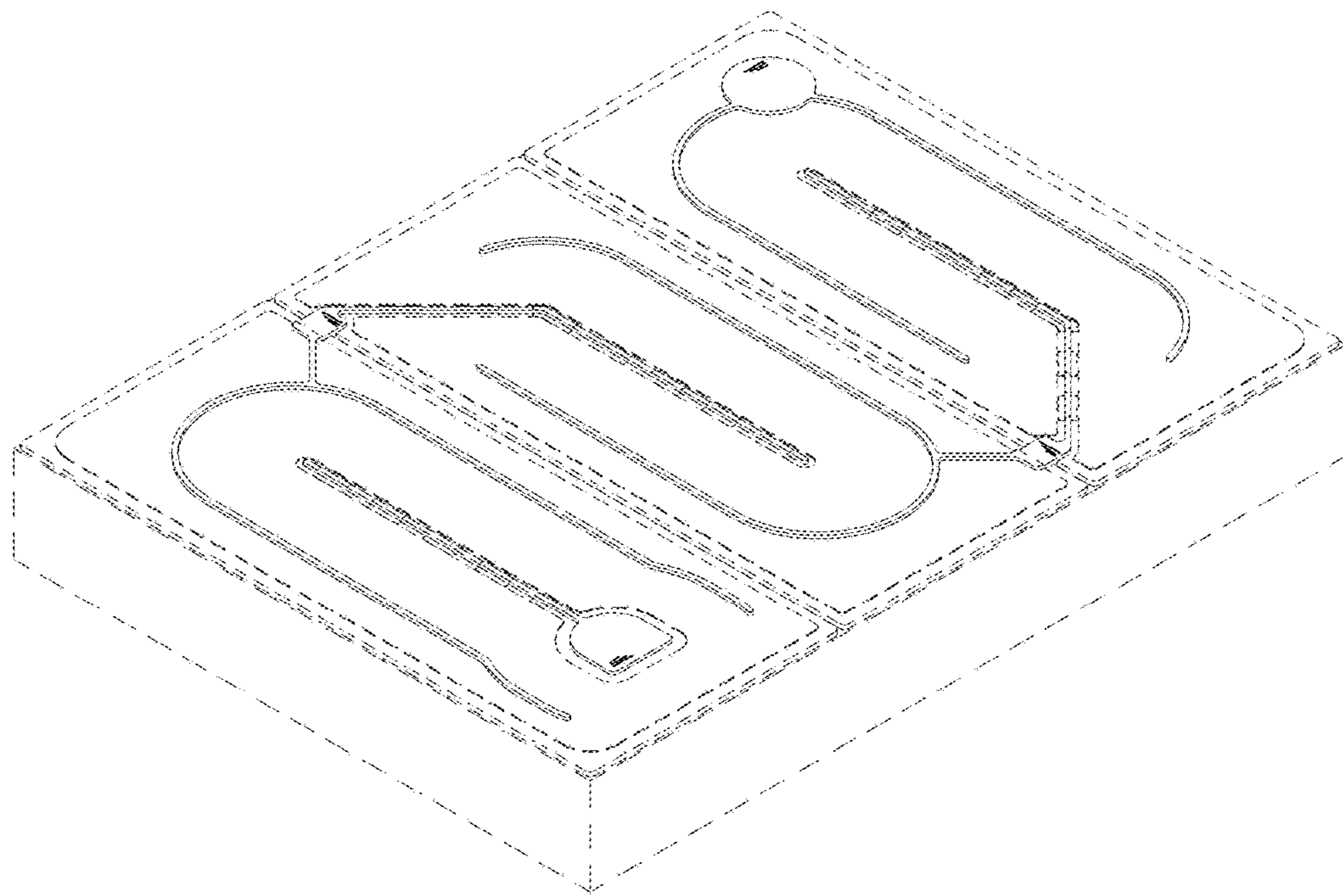


Fig. 9

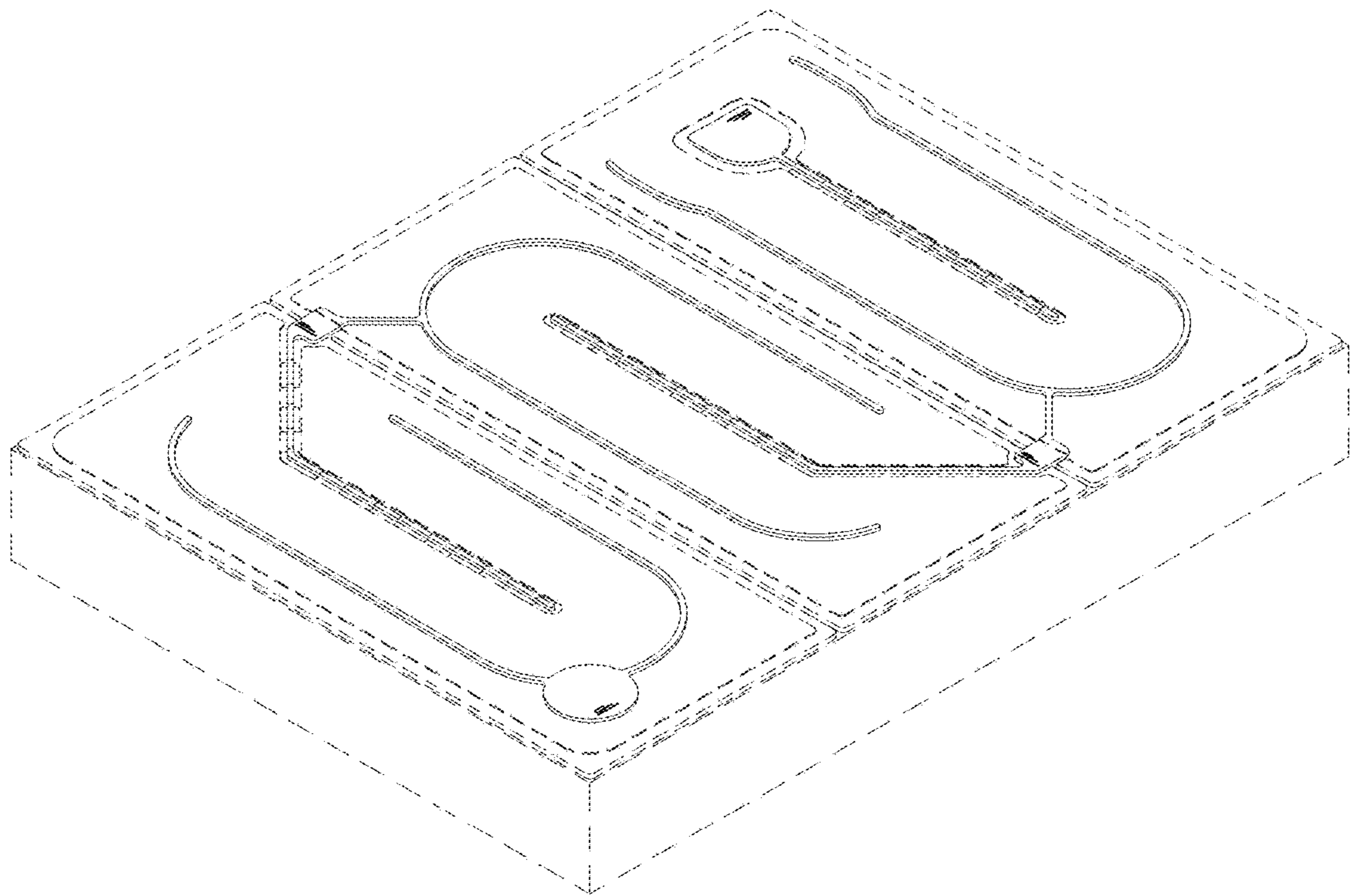


Fig. 10

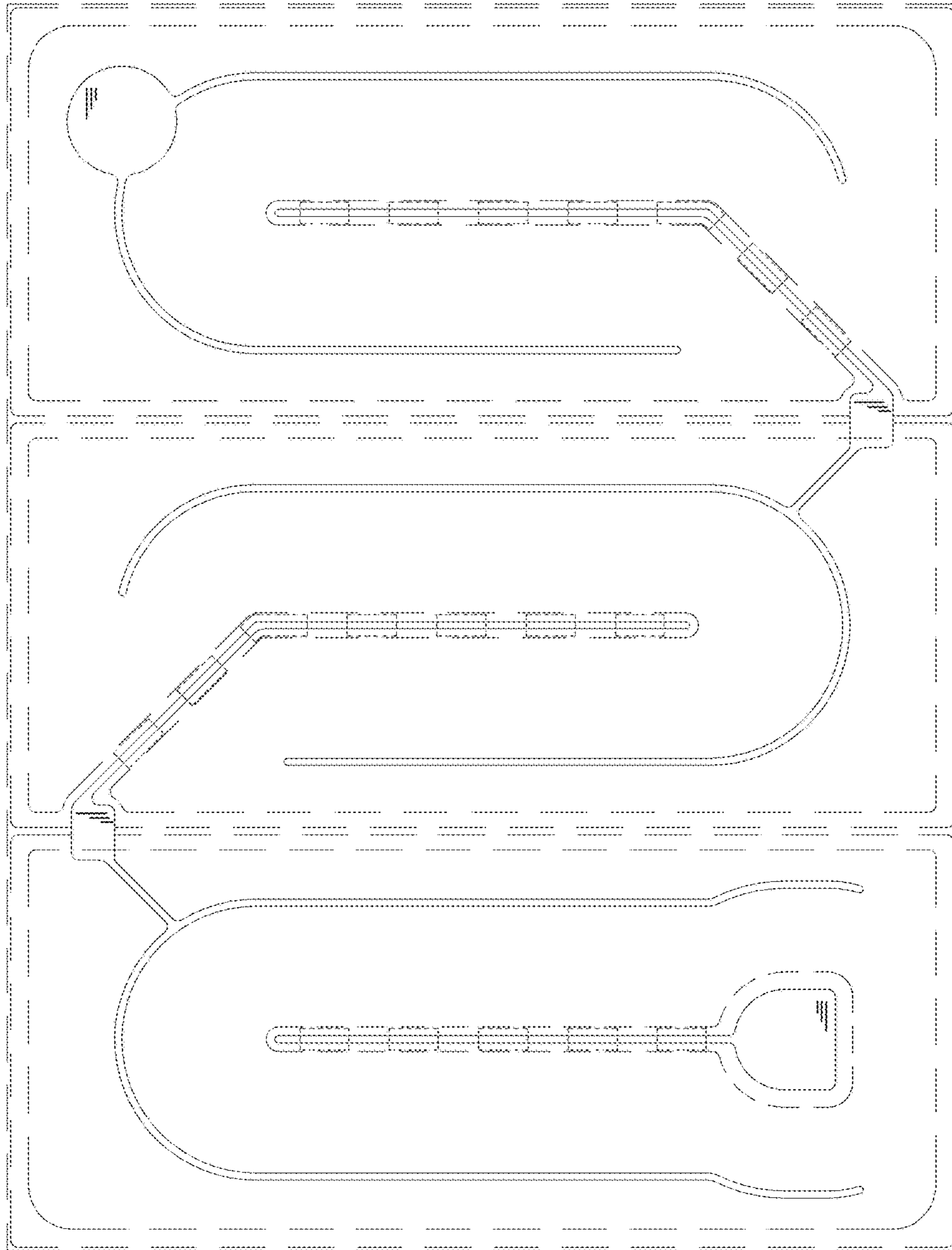


Fig. 11



Fig. 12

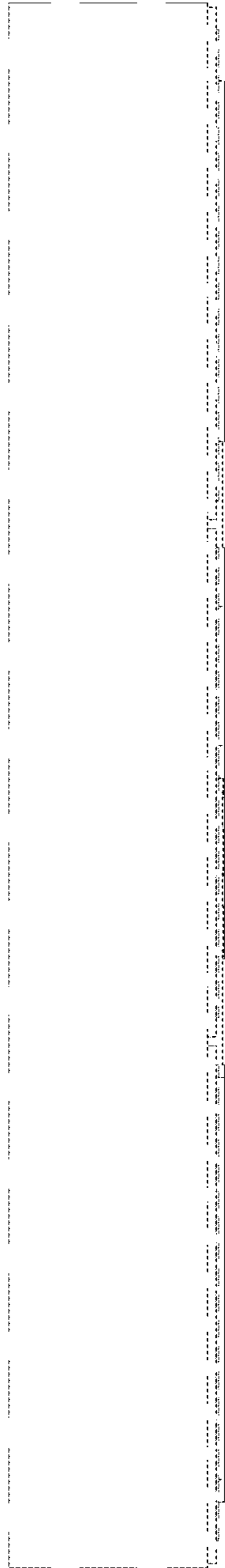


Fig. 13

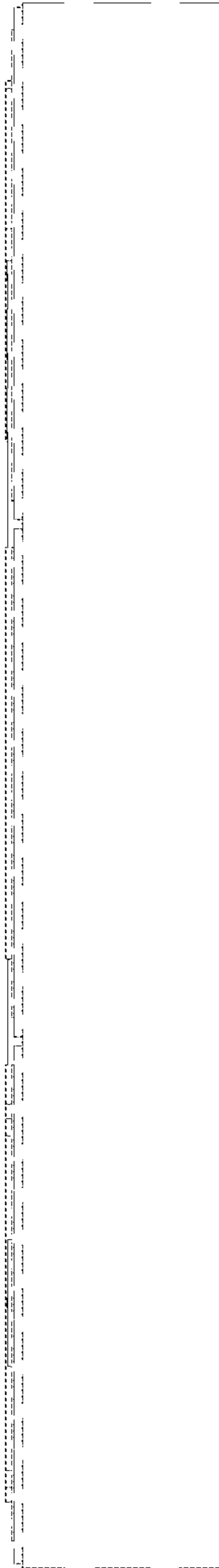


Fig. 14

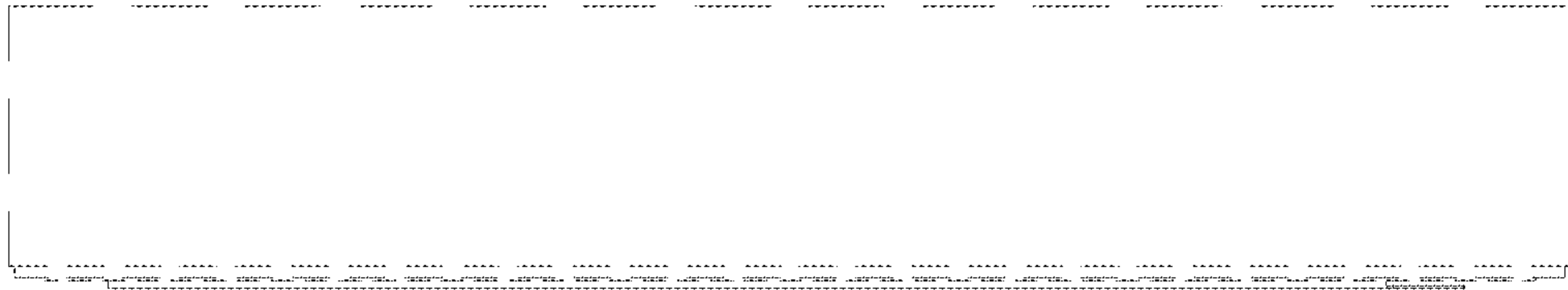


Fig. 15



Fig. 16

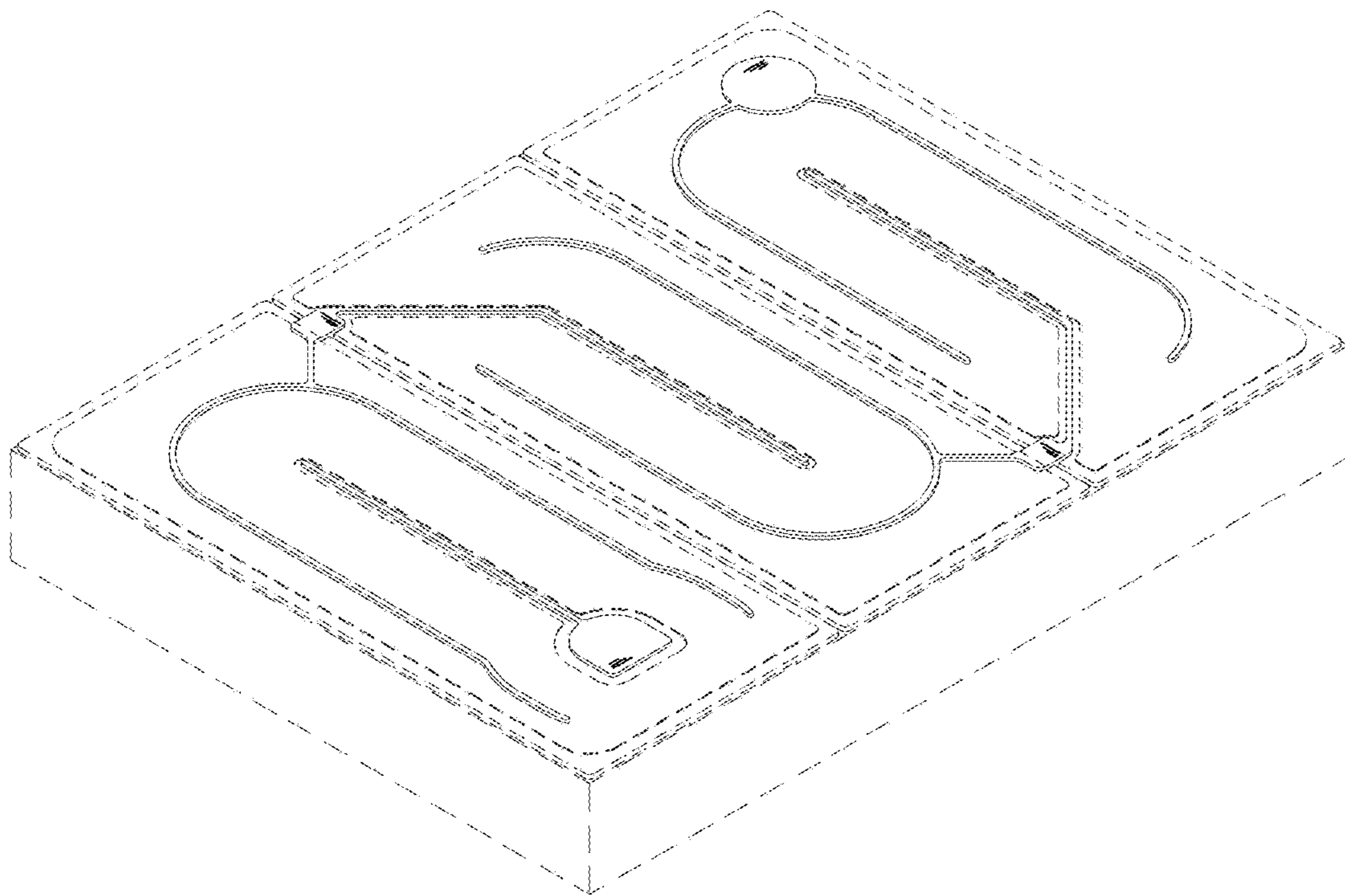


Fig. 17

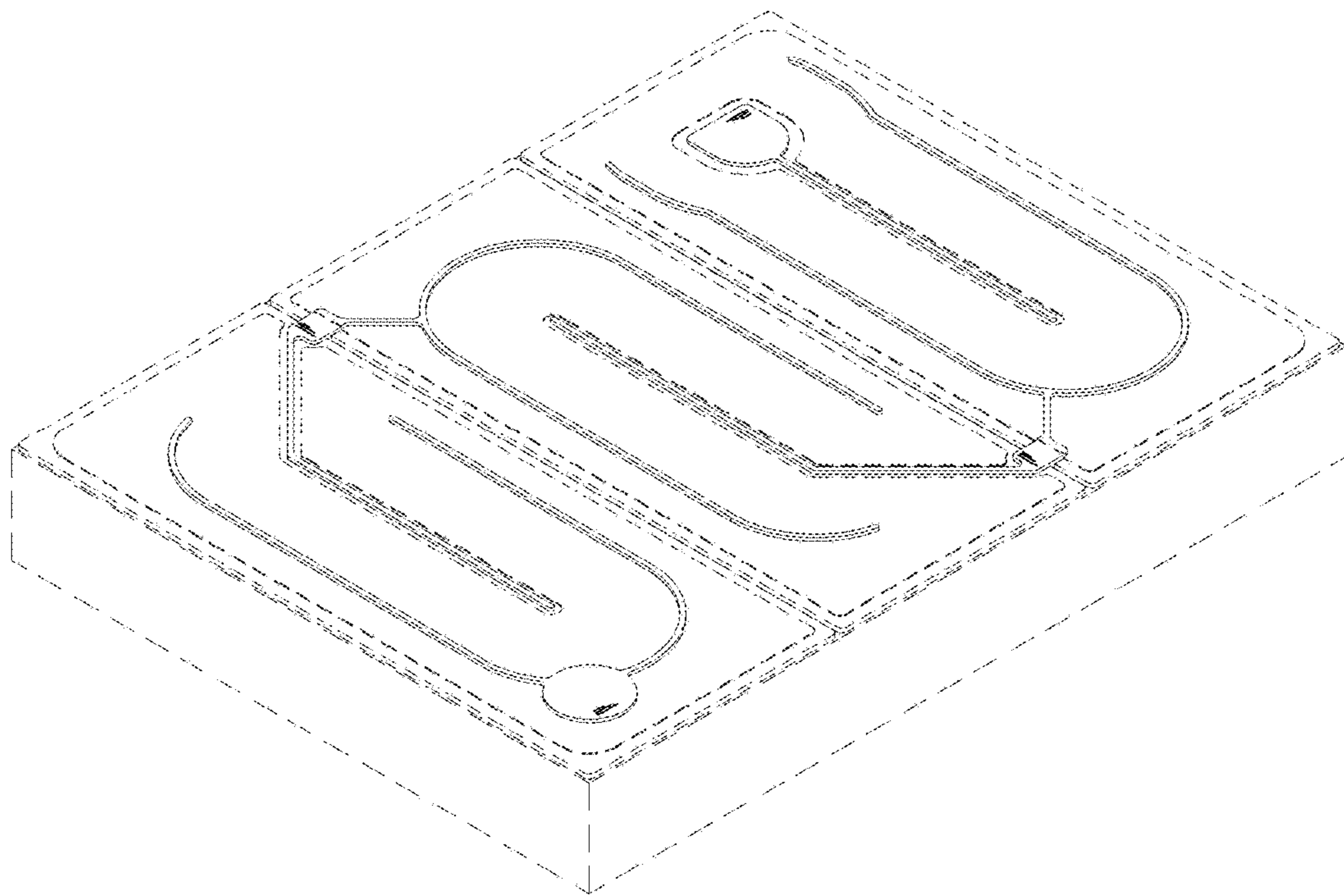


Fig. 18

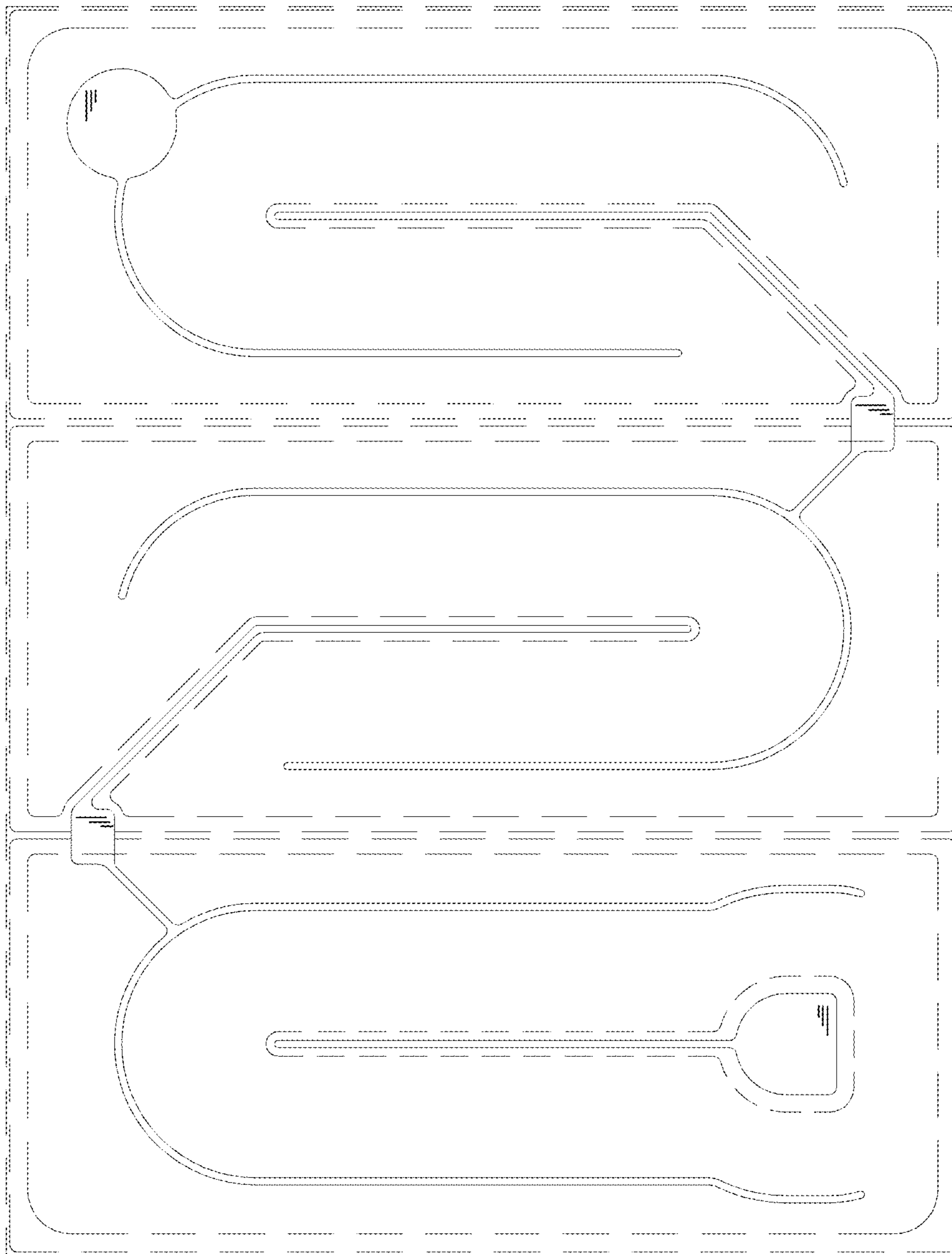


Fig. 19

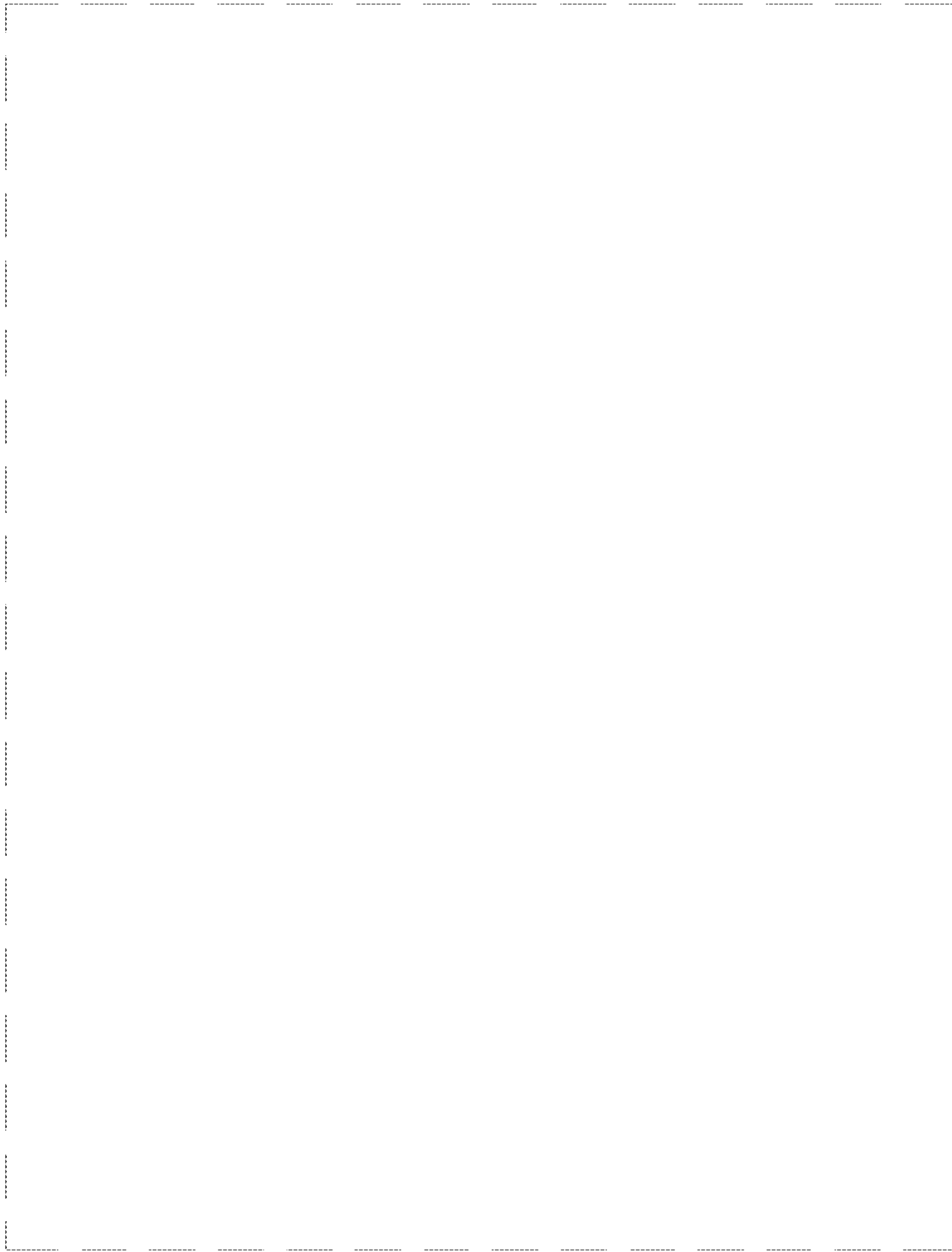


Fig. 20

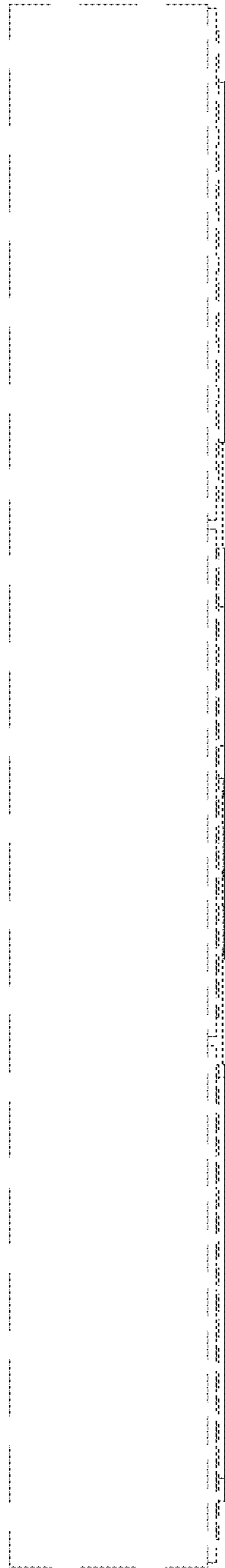


Fig. 21

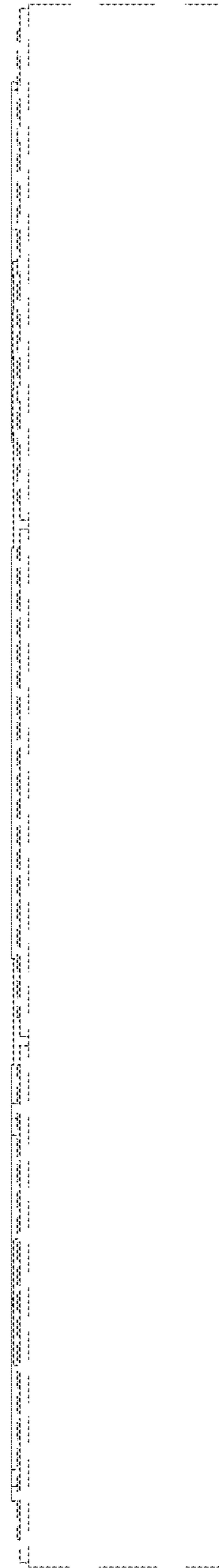


Fig. 22

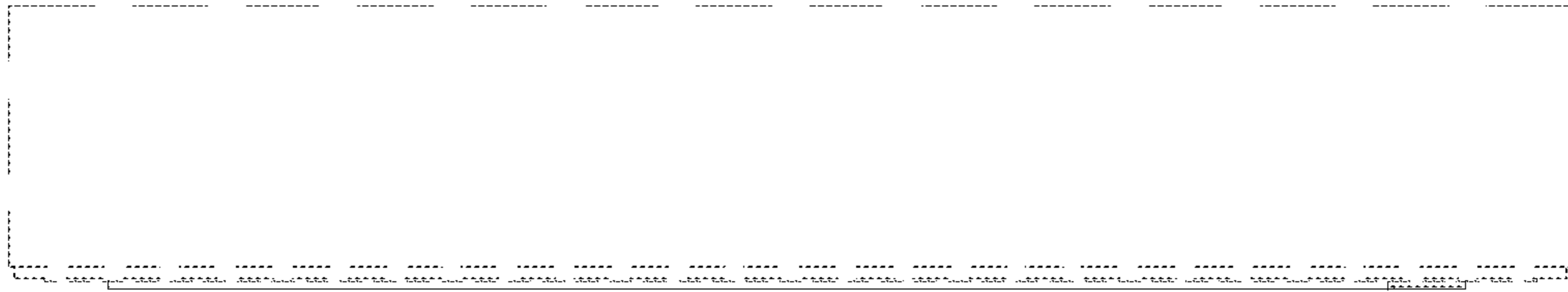


Fig. 23



Fig. 24