



US00D797682S

(12) **United States Design Patent**  
**Sharp et al.**

(10) **Patent No.:** **US D797,682 S**  
(45) **Date of Patent:** **\*\* Sep. 19, 2017**

(54) **REMOVABLE FACE PACK FOR AN ELECTRONIC IRRIGATION CONTROLLER**

(71) Applicant: **Hunter Industries, Inc.**, San Marcos, CA (US)

(72) Inventors: **Stephen A. Sharp**, San Diego, CA (US); **Thomas E. Veloskey**, San Marcos, CA (US)

(73) Assignee: **Hunter Industries, Inc.**, San Marcos, CA (US)

(\*\*) Term: **15 Years**

(21) Appl. No.: **29/575,081**

(22) Filed: **Aug. 22, 2016**

(51) **LOC (10) Cl.** ..... **13-03**

(52) **U.S. Cl.**  
USPC ..... **D13/162**

(58) **Field of Classification Search**  
USPC ..... D13/162, 164, 168; D10/50  
CPC .... A01G 25/16; A01G 25/165; A01G 25/167;  
H05K 5/0017; G05B 19/02; G05B 19/04;  
G05B 19/042; G05B 19/0423; G05B  
19/0426; Y10T 137/86389  
See application file for complete search history.

(56) **References Cited**

**U.S. PATENT DOCUMENTS**

D492,264 S *	6/2004	Perez	.....	D13/162
D564,456 S *	3/2008	Weiler	.....	D13/162
D580,373 S *	11/2008	Stange	.....	D13/162
7,613,546 B2 *	11/2009	Nelson	.....	A01G 25/165 239/63
D608,301 S *	1/2010	Clark	.....	D13/162
D613,255 S *	4/2010	Paul	.....	D13/162

7,772,726 B1 *	8/2010	Porter	.....	A01G 25/165 307/326
7,953,517 B1 *	5/2011	Porter	.....	A01G 25/165 700/284
D669,036 S *	10/2012	Apruzzese	.....	D13/164
D691,966 S *	10/2013	Stossell	.....	D13/162
8,867,194 B2 *	10/2014	Woytowitz	.....	H05K 5/0017 361/600
9,244,449 B2 *	1/2016	Tennyson	.....	G05B 19/02
D777,682 S *	1/2017	Miller	.....	D13/164
9,538,713 B2 *	1/2017	Pearson	.....	A01G 25/16
9,577,415 B1 *	2/2017	Veloskey	.....	H02G 3/14

\* cited by examiner

*Primary Examiner* — Selina Sikder

(74) *Attorney, Agent, or Firm* — Knobbe, Martens, Olson & Bear, LLP

(57) **CLAIM**

The ornamental design for a removable face pack for an electronic irrigation controller, as shown and described.

**DESCRIPTION**

FIG. 1 is a front perspective view of a removable face pack for an electronic irrigation controller showing my new design.

FIG. 2 is a rear perspective view thereof.

FIG. 3 is a front elevational view thereof.

FIG. 4 is a rear elevational view thereof.

FIG. 5 is a left-side elevational view thereof.

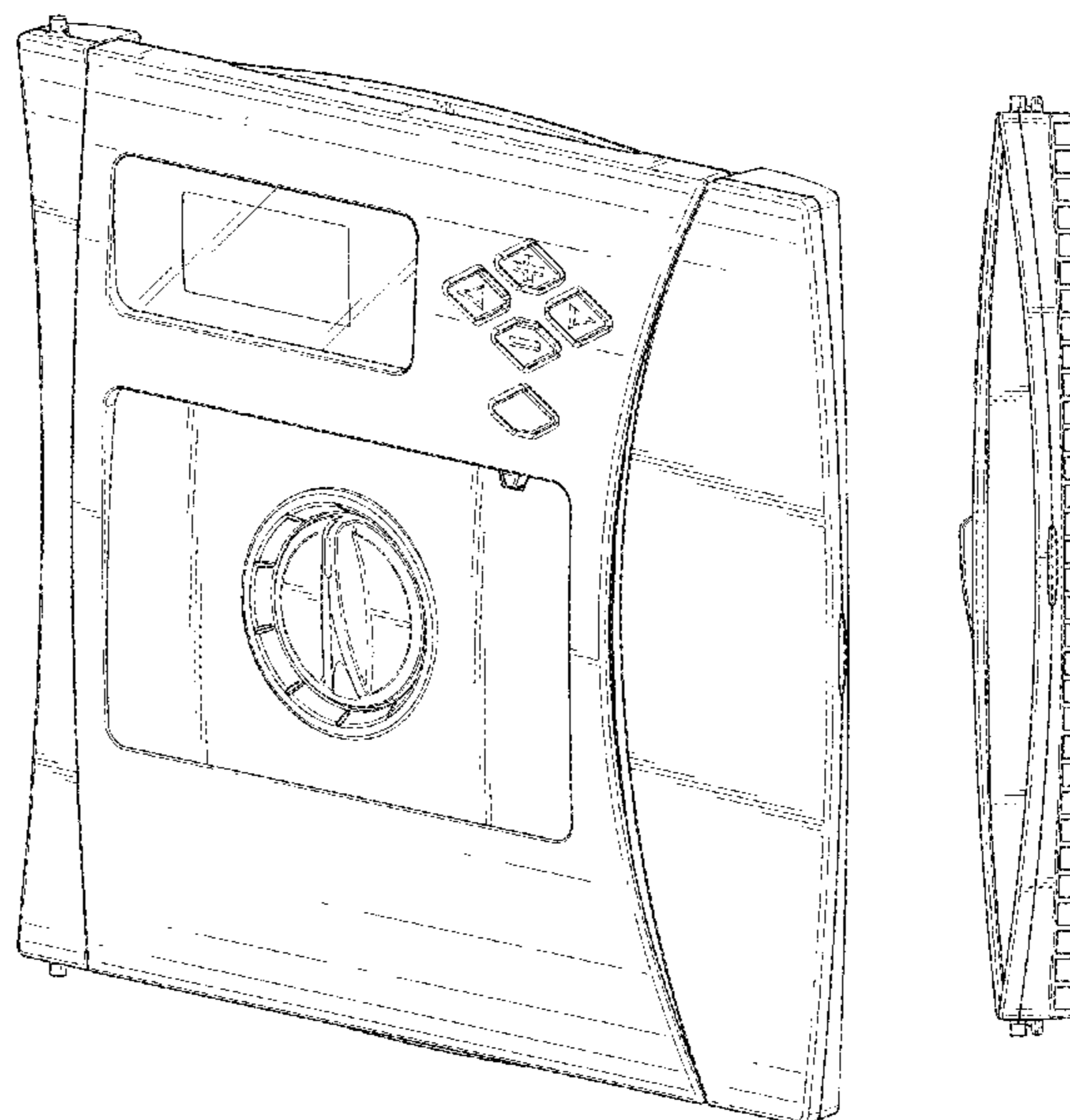
FIG. 6 is a right-side elevational view thereof.

FIG. 7 is a top plan view thereof; and,

FIG. 8 is a bottom plan view thereof.

Broken lines throughout the drawings indicate environmental elements, such as labels, a reset button, a cable receptacle, a battery access door, a battery, clearance slot, and screw holes, that form no part of the claimed design.

**1 Claim, 6 Drawing Sheets**



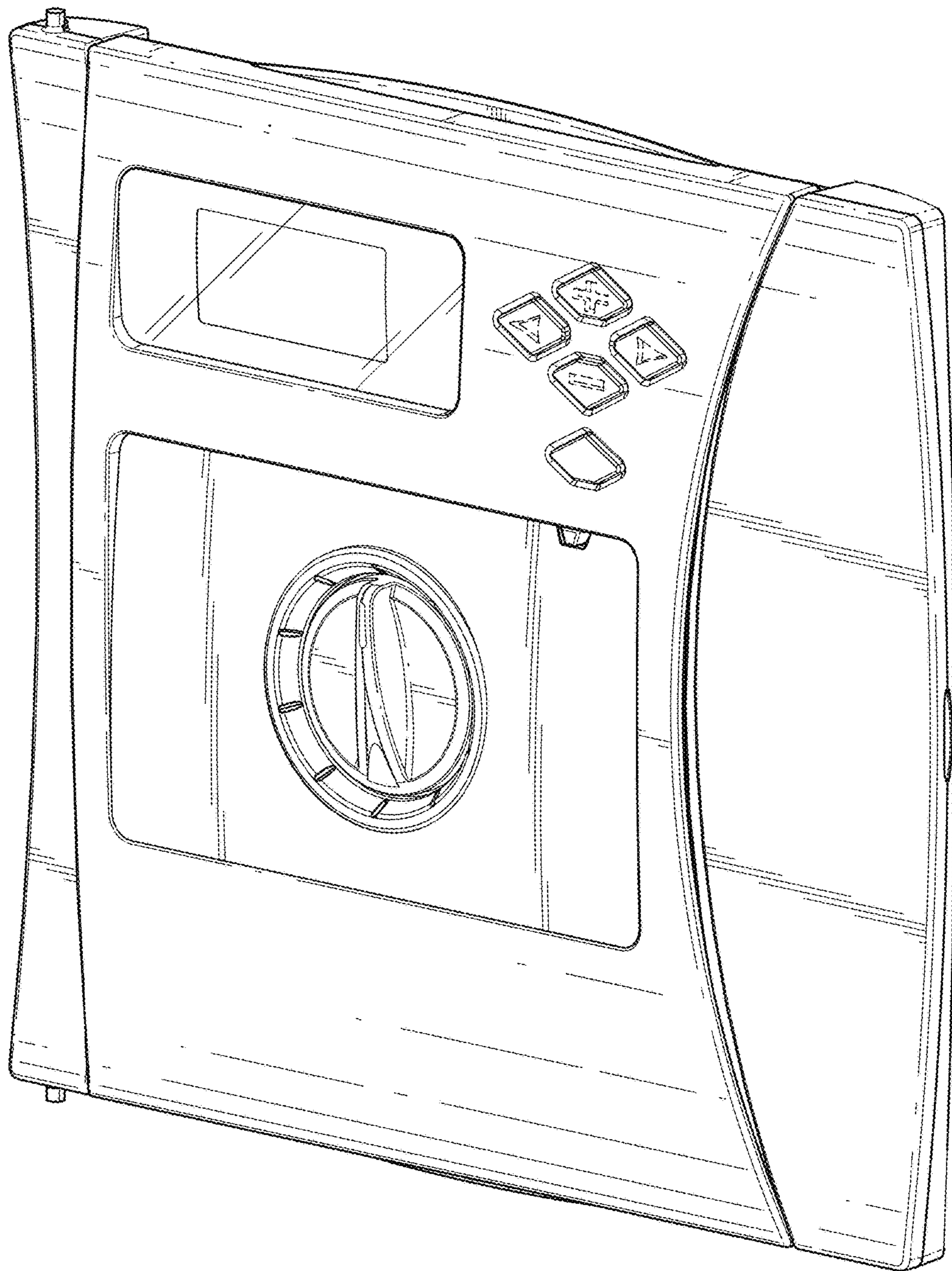


FIG. 1

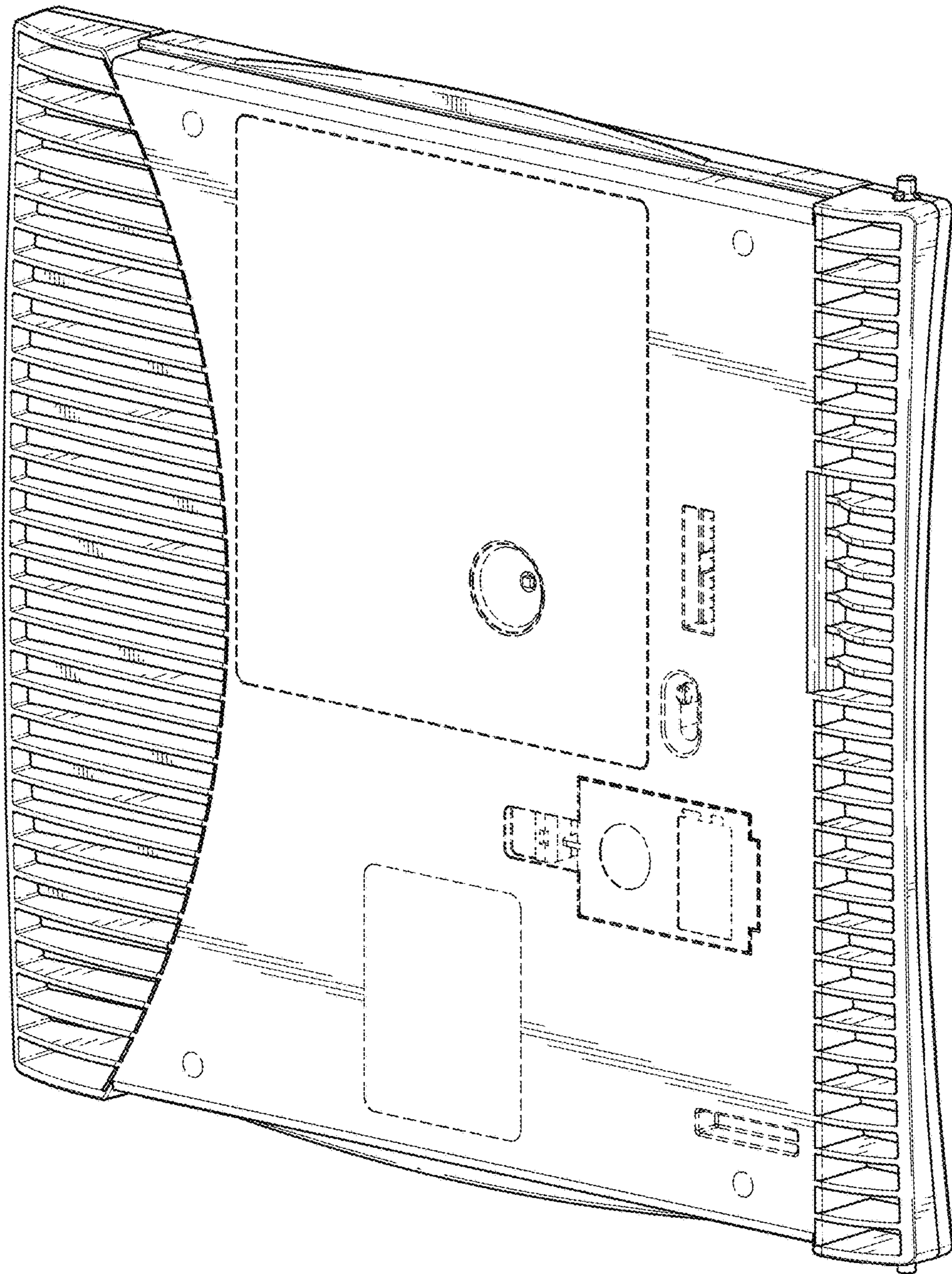


FIG. 2

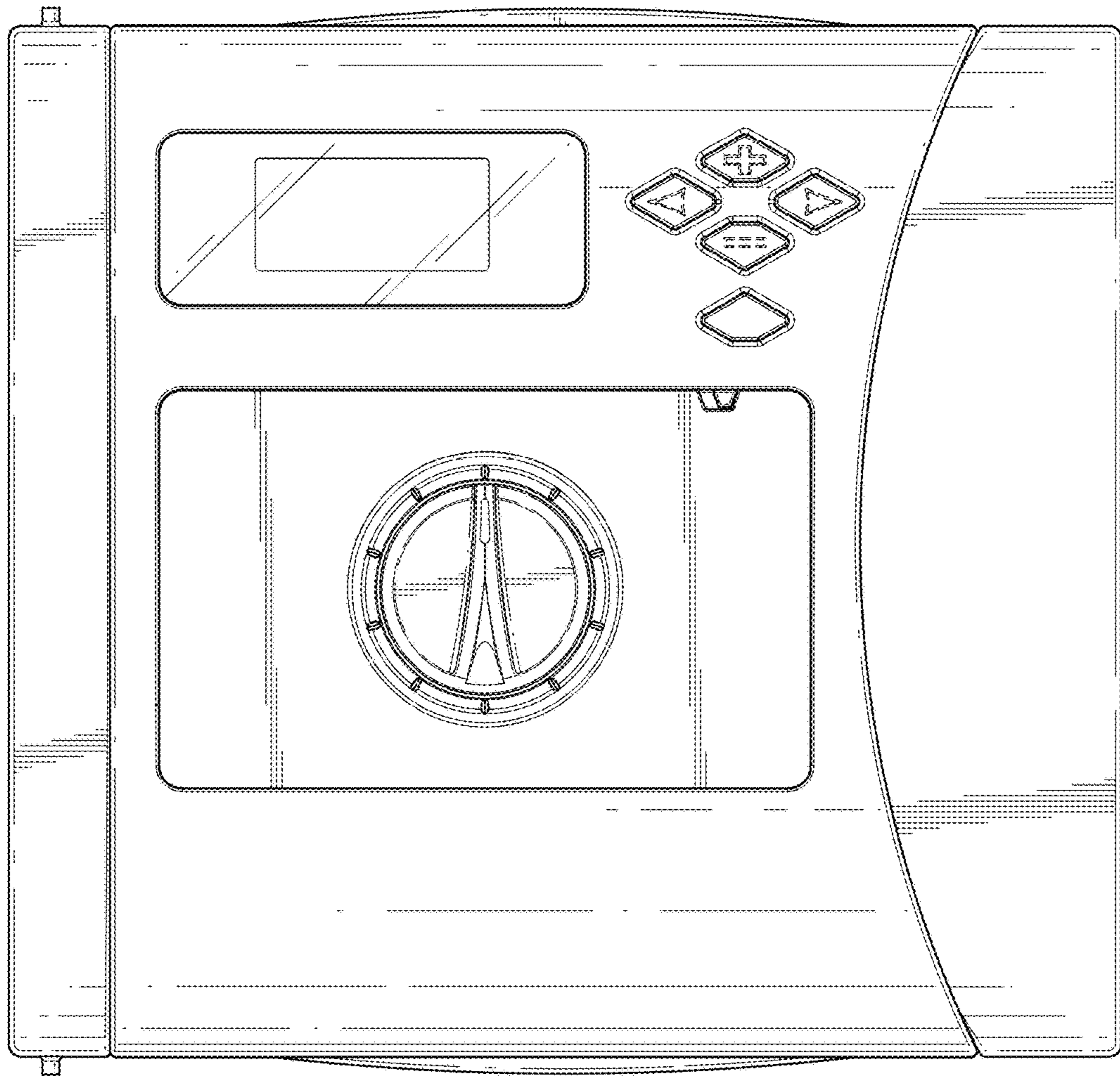


FIG. 3

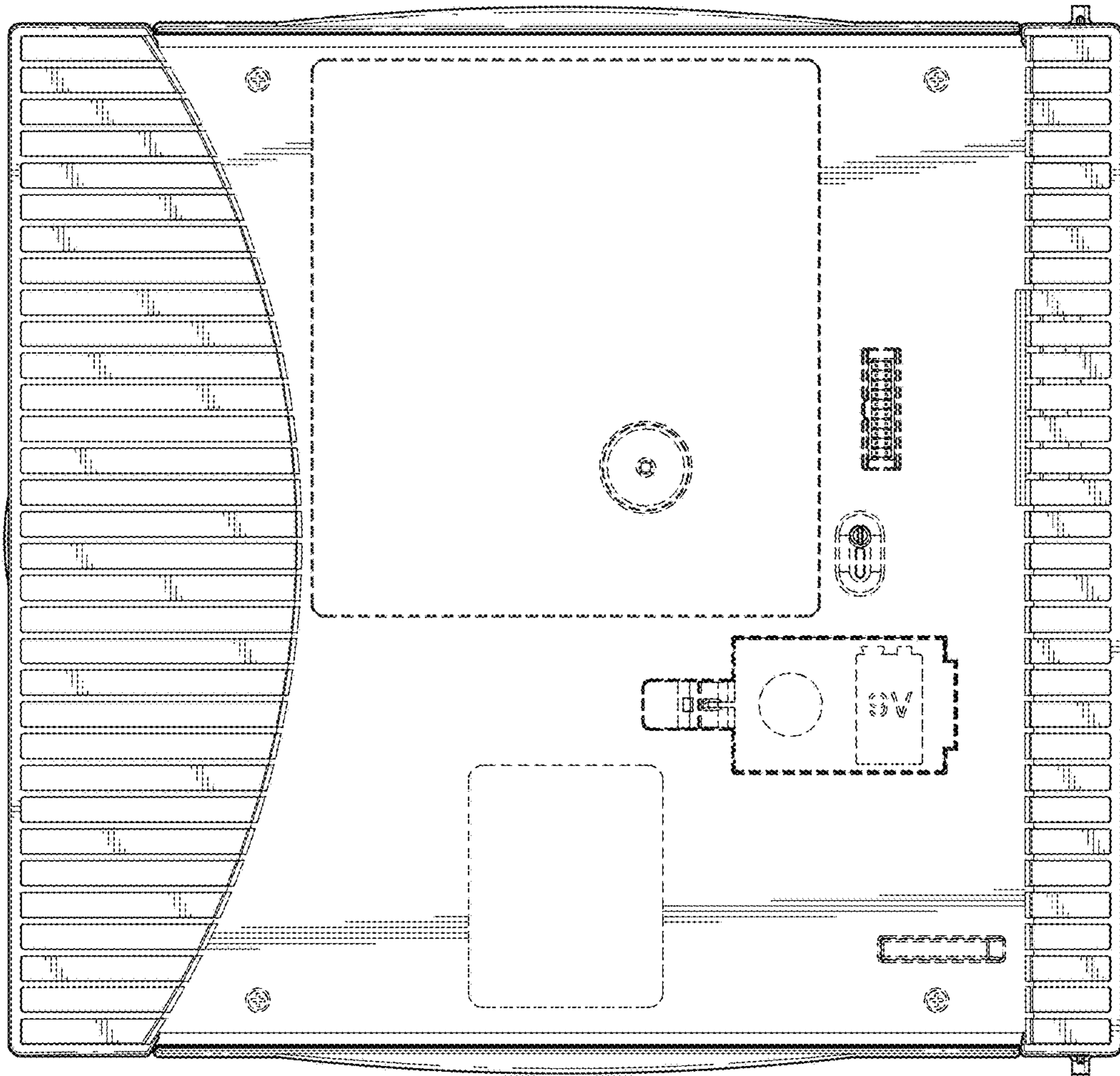


FIG. 4

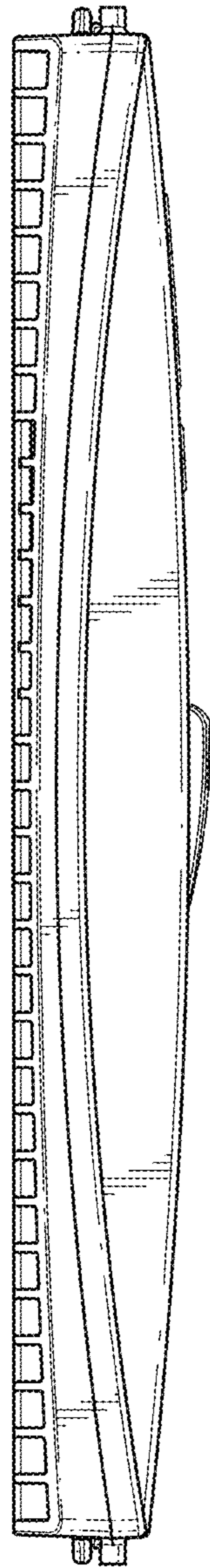


FIG. 5

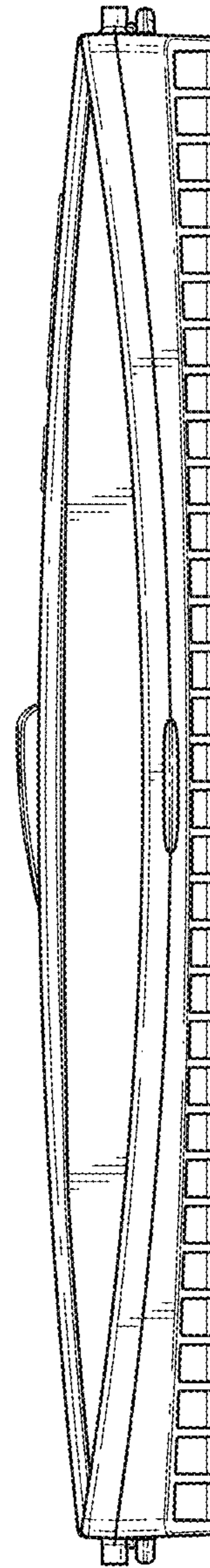


FIG. 6

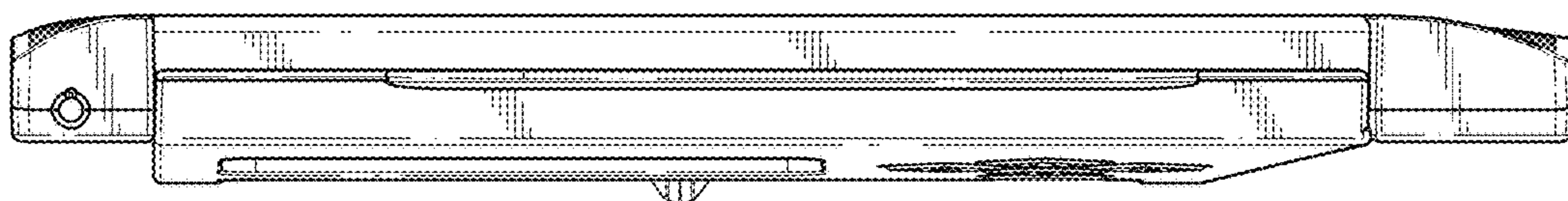


FIG. 7

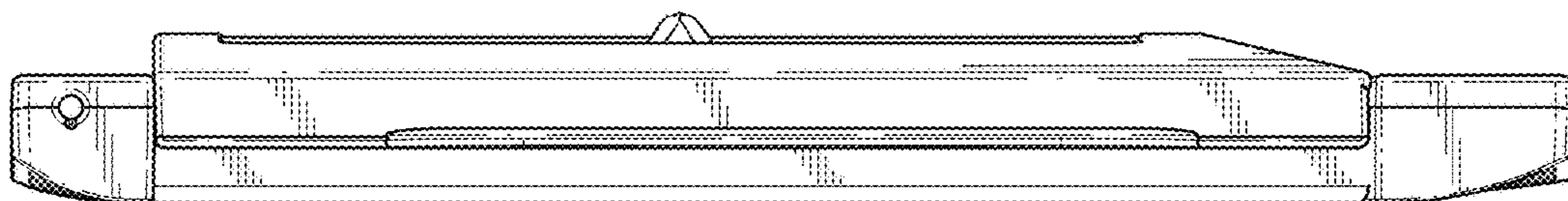


FIG. 8