



US00D797681S

(12) **United States Design Patent**
Dammkoehler et al.

(10) **Patent No.:** **US D797,681 S**

(45) **Date of Patent:** **** Sep. 19, 2017**

(54) **CONTROLLER OF A VACUUM CLEANER**

(71) Applicant: **Alfred Kaercher GmbH & Co. KG**,
Winnenden (DE)

(72) Inventors: **Denis Dammkoehler**, Backnang (DE);
Zheyi Jin, Schwaikheim (DE)

(73) Assignee: **Alfred Kaercher GmbH & Co. KG**,
Winnenden (DE)

(**) Term: **15 Years**

(21) Appl. No.: **29/560,141**

(22) Filed: **Apr. 4, 2016**

(30) **Foreign Application Priority Data**

Oct. 29, 2015 (WO) 931413501

(51) **LOC (10) Cl.** **13-03**

(52) **U.S. Cl.**

USPC **D13/162**

(58) **Field of Classification Search**

USPC D13/103, 108, 110, 158, 162, 184;
D32/28

CPC H05K 5/00; H05K 5/0004; H05K 5/0021;
H05K 5/0026; H05K 5/0047; H05K
5/0073; H05K 5/03; H05K 5/04; H05K
5/06; H05K 7/1462; H05K 7/1472; H01H
9/02

See application file for complete search history.

(56) **References Cited**

U.S. PATENT DOCUMENTS

D365,085 S * 12/1995 Aoyama D13/162
5,901,056 A * 5/1999 Hung H02J 7/0065
307/64
6,585,530 B2 * 7/2003 Steiert H01R 33/96
439/131

D543,957 S * 6/2007 Landerholm D13/184
D571,736 S * 6/2008 Copeland A61M 37/0076
D13/110
7,619,898 B2 * 11/2009 Jensen H05K 5/0021
361/715
D657,923 S * 4/2012 Dammkoehler D32/28
D785,574 S * 5/2017 Wu D13/162
2014/0144666 A1 * 5/2014 Lisitschew H05K 5/0004
174/50

OTHER PUBLICATIONS

Extract from catalog of Alfred Kaercher GmbH & Co. KG, "Pro-
gramme 2011 Kaercher Professional (Commercial)", cover, p. 148
and last page (Feb. 2011).

Extract from catalog of Alfred Kaercher GmbH & Co. KG, "Pro-
gramme 2011/2012 Kaercher Professional (60 Hz)", cover, p. 130
and last page (Aug. 2011).

Extract from catalog of Alfred Kaercher GmbH & Co. KG, "Pro-
gramme 2012 Kaercher Professional", cover, p. 162 and last page
(Nov. 2011).

(Continued)

Primary Examiner — Selina Sikder

(74) *Attorney, Agent, or Firm* — Lipsitz & McAllister,
LLC

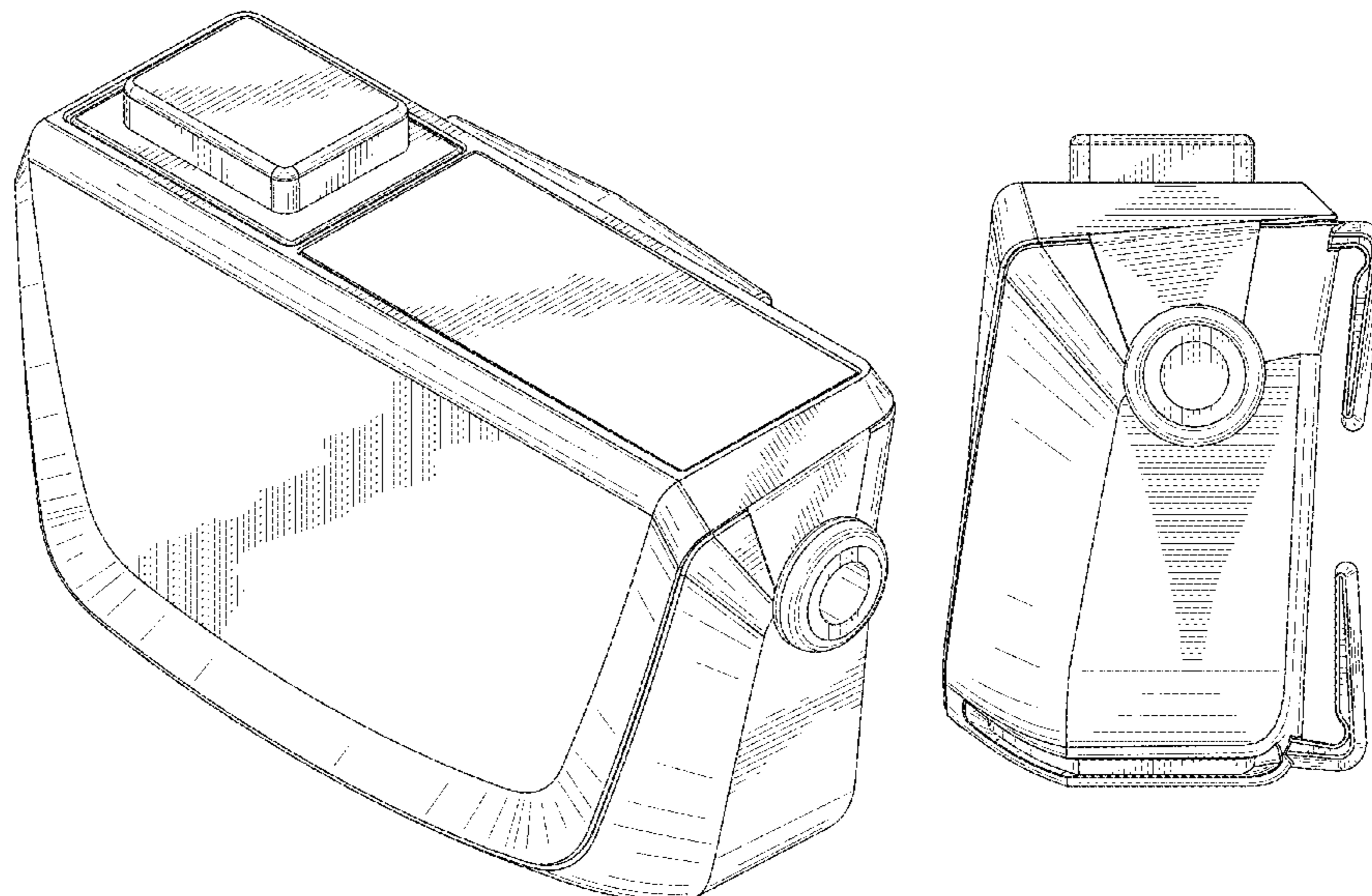
(57) **CLAIM**

The ornamental design for a controller of a vacuum cleaner,
as shown and described.

DESCRIPTION

FIG. 1 is a front, top and left side perspective view of a
controller of a vacuum cleaner showing the new design;
FIG. 2 is a front, top and right side perspective view thereof;
FIG. 3 is a front elevational view thereof;
FIG. 4 is a rear elevational view thereof;
FIG. 5 is a left side elevational view thereof;
FIG. 6 is a right side elevational view thereof; and,
FIG. 7 is a top plan view thereof.

1 Claim, 6 Drawing Sheets



(56)

References Cited

OTHER PUBLICATIONS

Extract from catalog of Alfred Kaercher GmbH & Co. KG, "Programme 2013/2014 Kaercher Professional (60 Hz)", cover, p. 135 and last page (Aug. 2013).

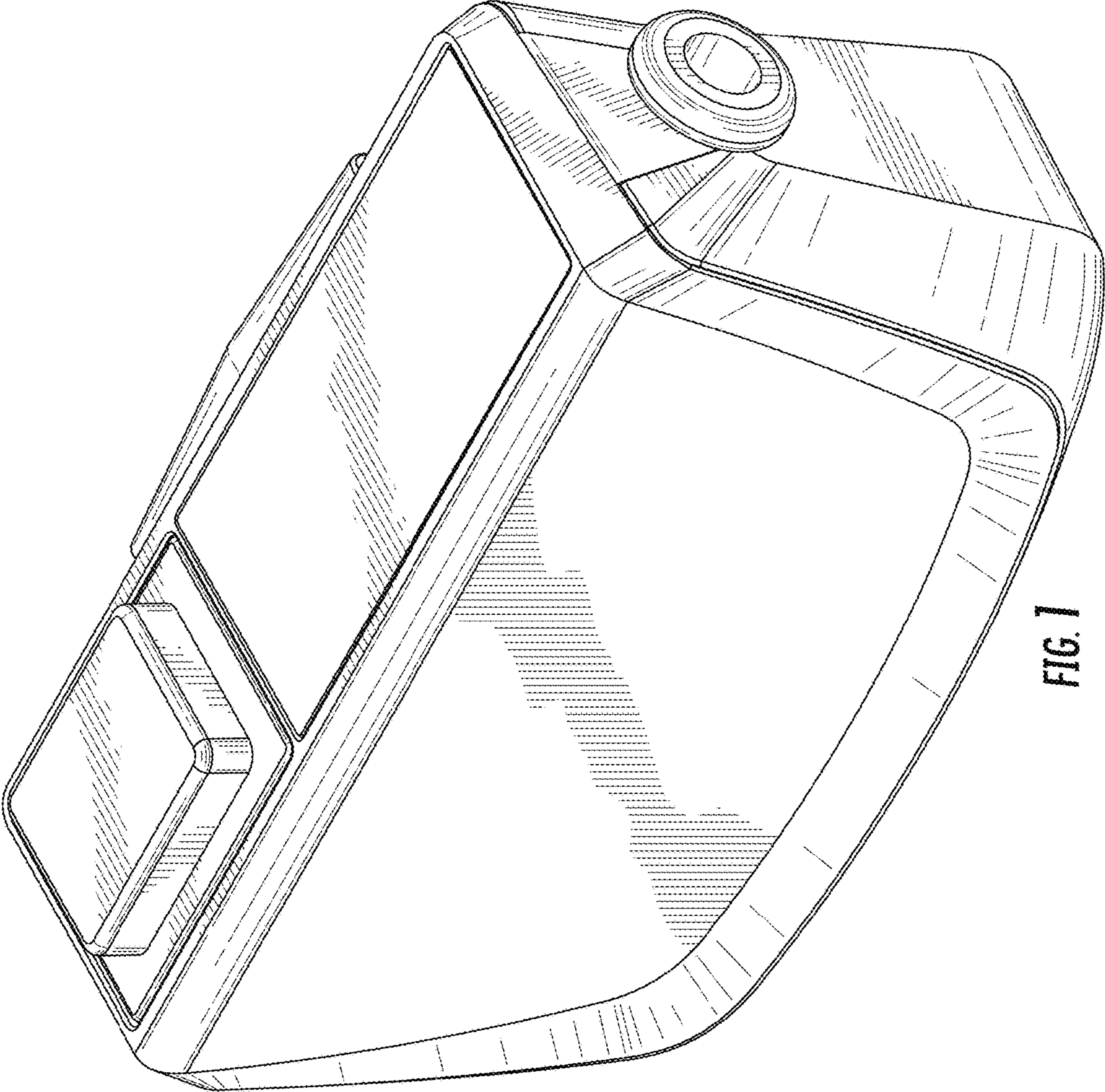
Extract from catalog of Alfred Kaercher GmbH & Co. KG, "Programme 2013 Kaercher Professional", cover, p. 279 and last page (Nov. 2012).

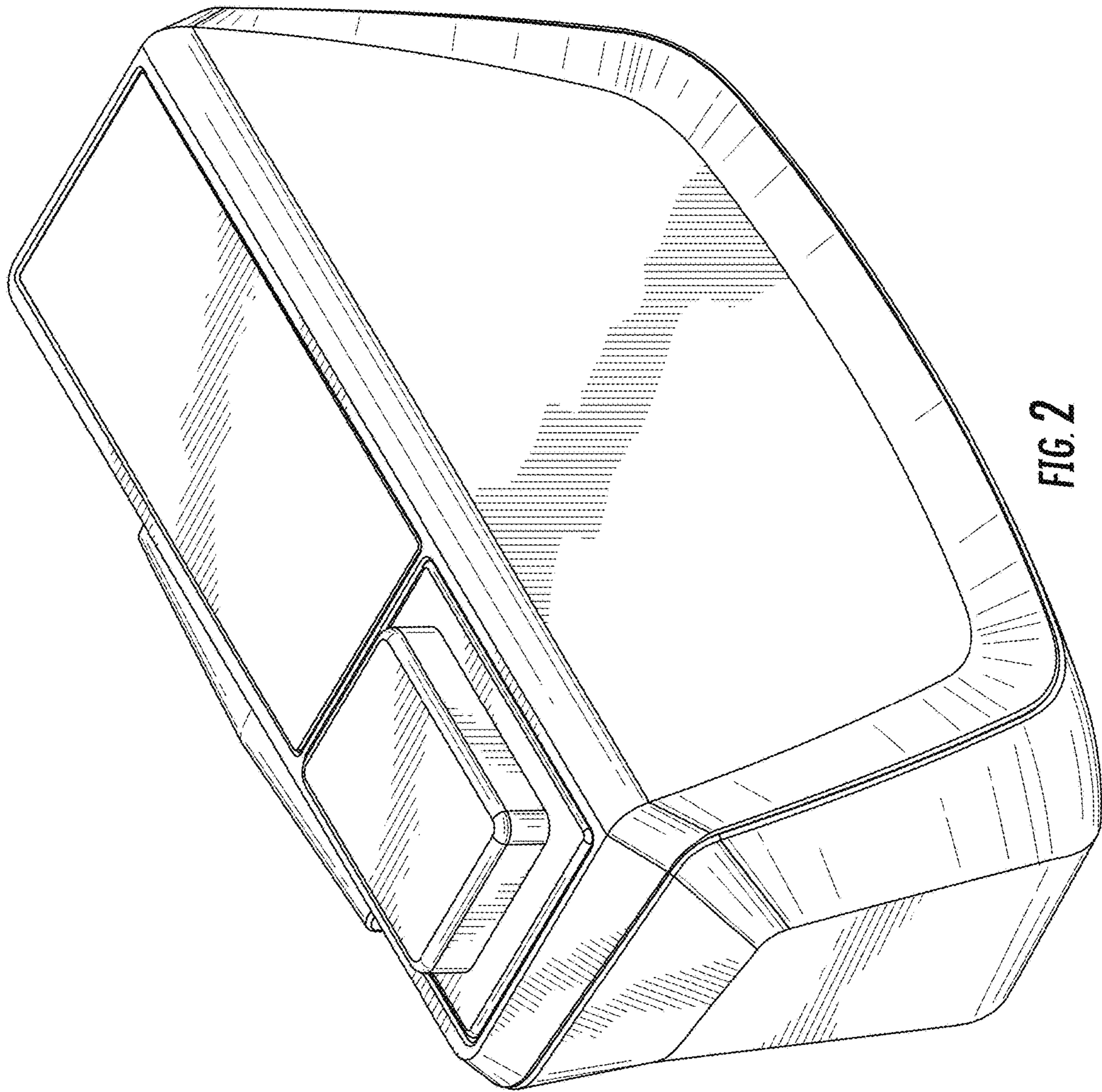
Extract from catalog of Alfred Kaercher GmbH & Co. KG, "Programme 2014/2015 Kaercher Professional (60 Hz)", cover, p. 189 and last page (May 2014).

Extract from catalog of Alfred Kaercher GmbH & Co. KG, "Programme 2014 Kaercher Professional", cover, p. 207 and last page (Oct. 2013).

Extract from catalog of Alfred Kaercher GmbH & Co. KG, "Programme 2015 Professional", cover, p. 309 and last page (Nov. 2014).

* cited by examiner





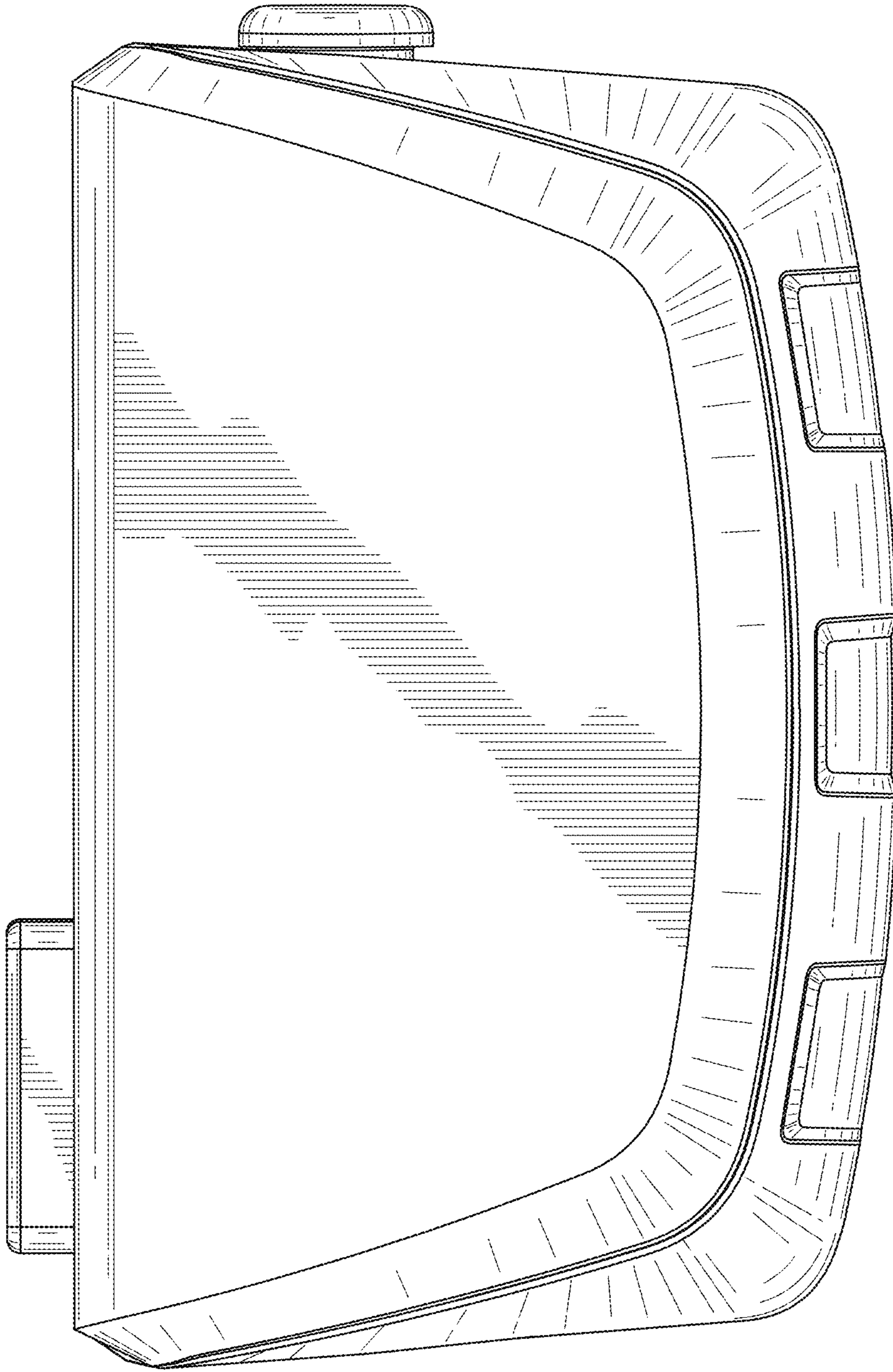


FIG. 3

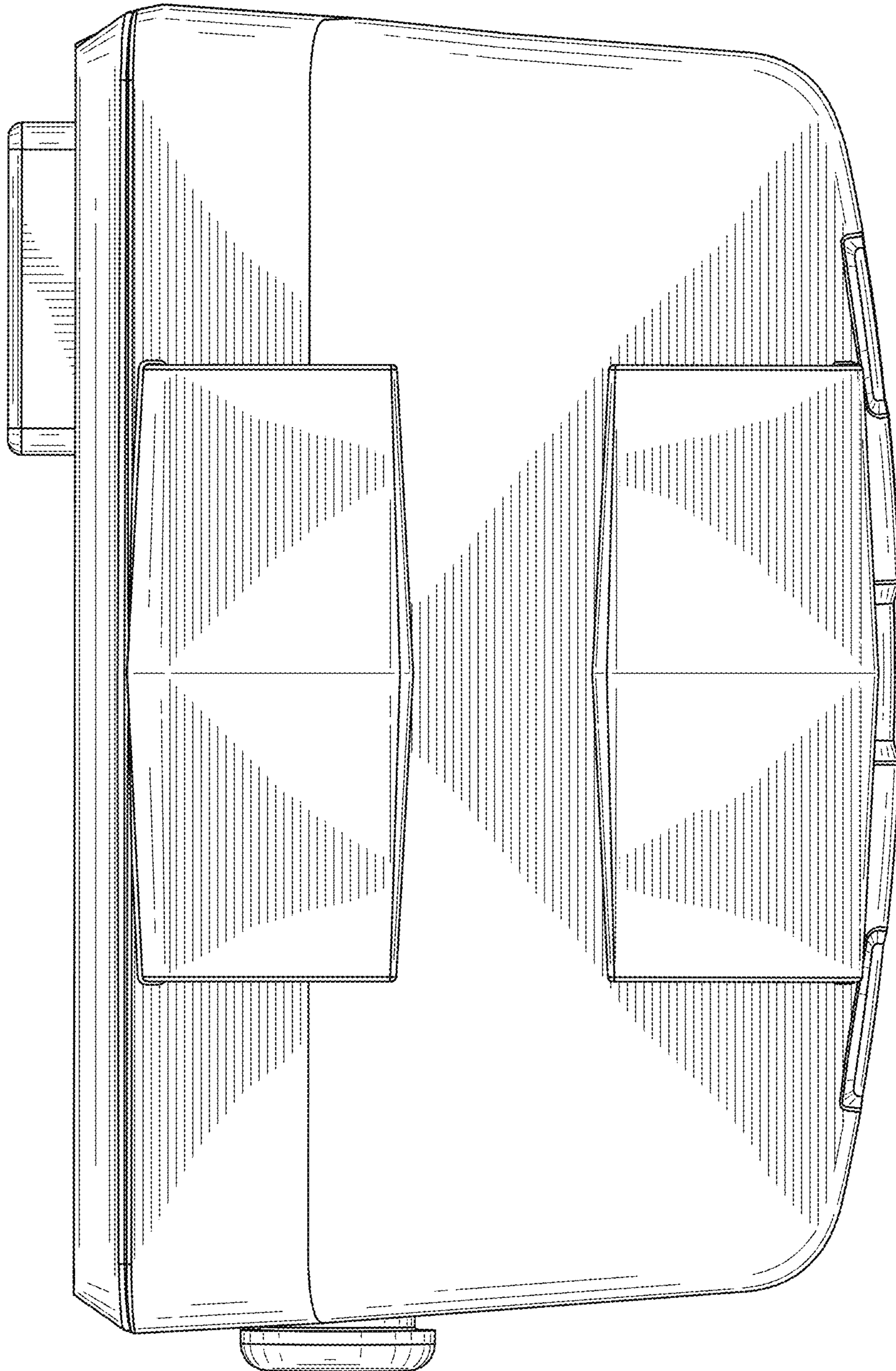


FIG. 4

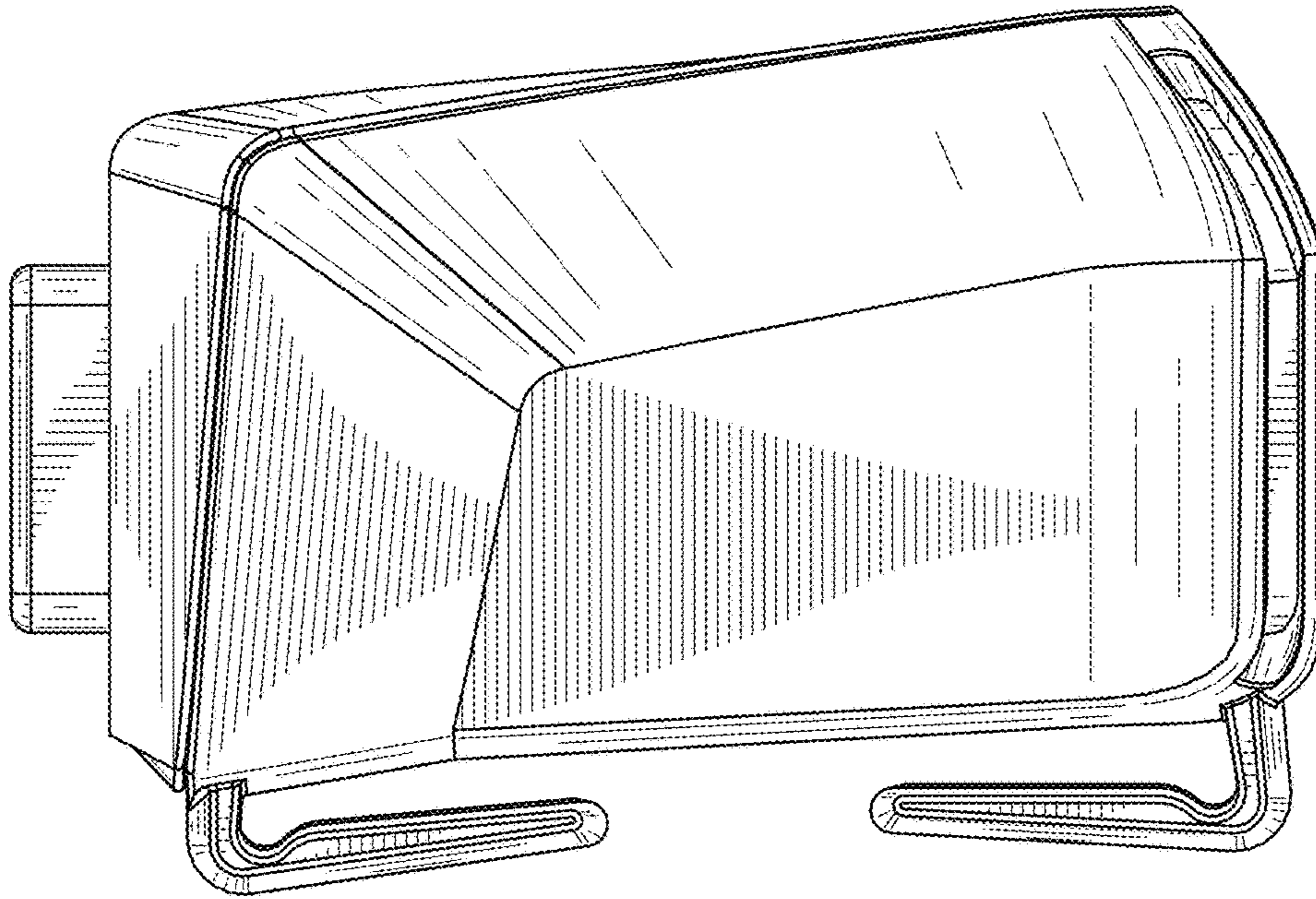


FIG. 6

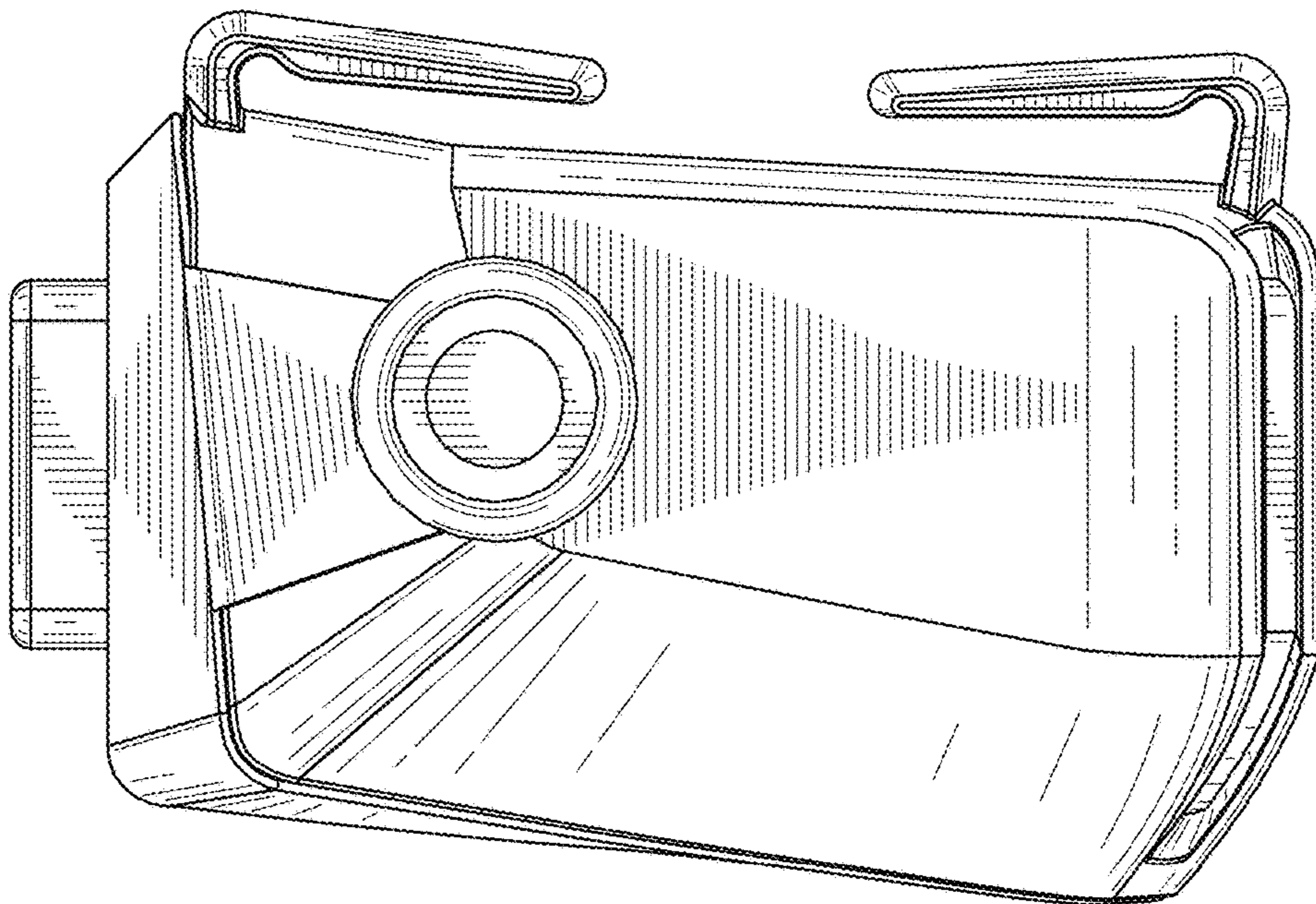


FIG. 5

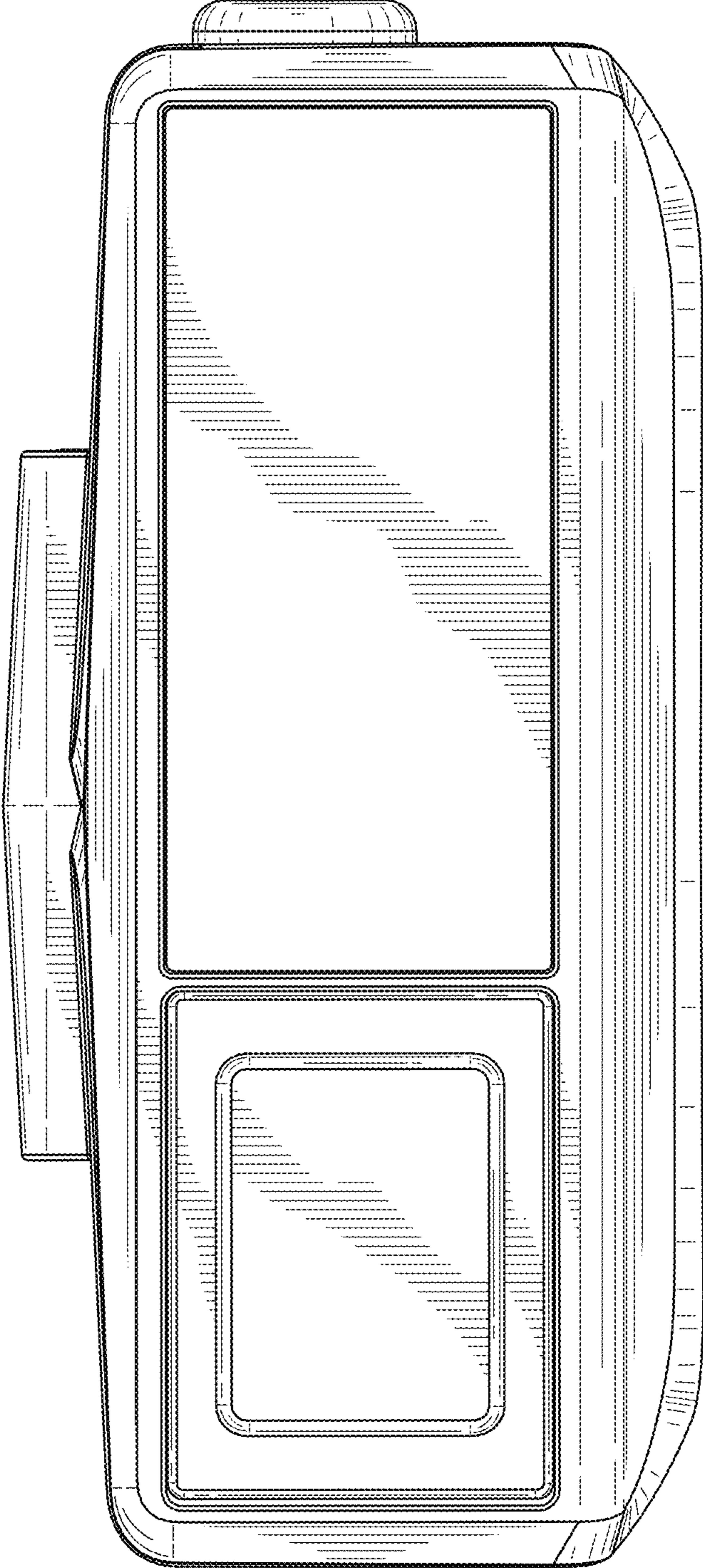


FIG. 7