



US00D797680S

(12) **United States Design Patent** (10) **Patent No.:** **US D797,680 S**  
**Kalis et al.** (45) **Date of Patent:** **\*\* Sep. 19, 2017**

- (54) **CABLE CONNECTOR**
- (71) Applicant: **Garmin Switzerland GmbH**,  
Schaffhausen (CH)
- (72) Inventors: **Robert M. Kalis**, Overland Park, KS  
(US); **Jesse R. Simpson**, Overland  
Park, KS (US); **Joe Ryan Dejmal**,  
Shawnee, KS (US); **Russell F.**  
**Mansfield, III**, Shawnee, KS (US)
- (73) Assignee: **Garmin Switzerland GmbH** (CH)
- (\*\*) Term: **15 Years**
- (21) Appl. No.: **29/575,862**
- (22) Filed: **Aug. 30, 2016**
- (51) **LOC (10) Cl.** ..... **13-03**
- (52) **U.S. Cl.**  
USPC ..... **D13/153**
- (58) **Field of Classification Search**  
USPC ..... D13/103, 107, 110, 133, 146, 147, 151,  
D13/153, 154, 155, 144; D14/433, 435.1;  
D8/356; D23/262  
CPC .... H01R 13/5845; H01R 13/72; H01R 31/06;  
H01R 24/00; H01R 24/28; H01R 12/00;  
H01B 11/1808; H01B 11/1839; H01B  
11/1008; H01B 7/04; H01B 7/0266;  
H01B 7/08; H01B 7/065; H01B 12/08  
See application file for complete search history.

(56) **References Cited**

**U.S. PATENT DOCUMENTS**

- D378,209 S \* 2/1997 Morikawa ..... D13/133
- D381,629 S \* 7/1997 Goto ..... D13/147
- D516,032 S \* 2/2006 Suckle ..... D13/147
- D555,105 S \* 11/2007 Victor ..... D13/133

- D588,995 S \* 3/2009 Wu ..... D13/147
- D675,572 S \* 2/2013 Arai ..... D13/147
- D729,169 S \* 5/2015 Corona ..... D13/146
- D784,931 S \* 4/2017 Fries ..... D13/153
- 2012/0322312 A1\* 12/2012 Tsai ..... H01R 31/06  
439/628
- 2016/0149338 A1\* 5/2016 Xing ..... H01R 13/5845  
439/449

**OTHER PUBLICATIONS**

Printout from [https://store.google.com/product/usb\\_c\\_charger](https://store.google.com/product/usb_c_charger)  
published prior to Aug. 25, 2016.  
Printout from [https://www.fitbit.com/shop/accessories/surge-cahrg-  
ing-cable](https://www.fitbit.com/shop/accessories/surge-cahrg-<br/>ing-cable) published prior to Aug. 25, 2016.

\* cited by examiner

*Primary Examiner* — Rosemary K Tarcza  
*Assistant Examiner* — Christy Nemeth

(74) *Attorney, Agent, or Firm* — Samuel M. Korte; Max  
M. Ali

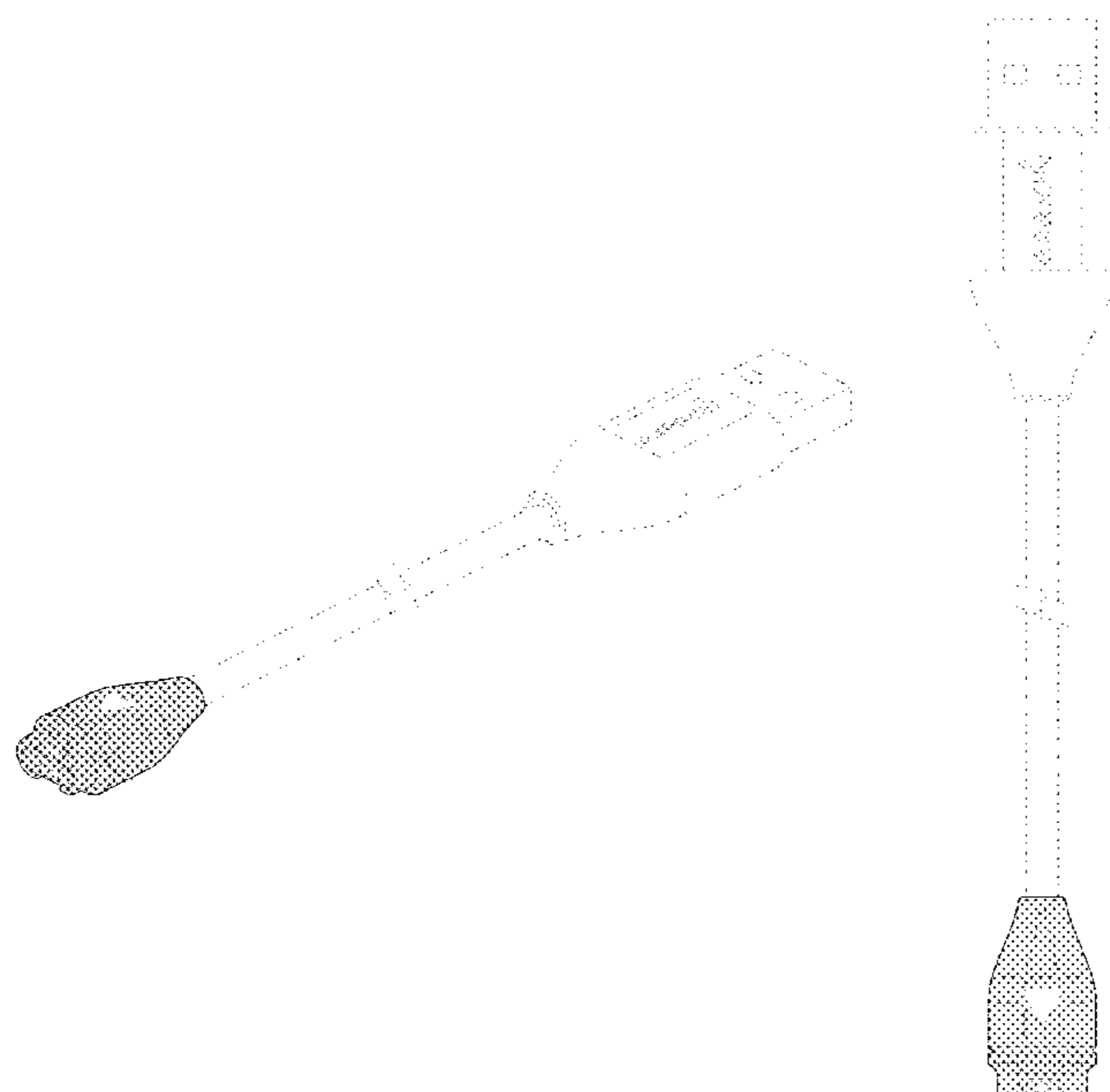
(57) **CLAIM**

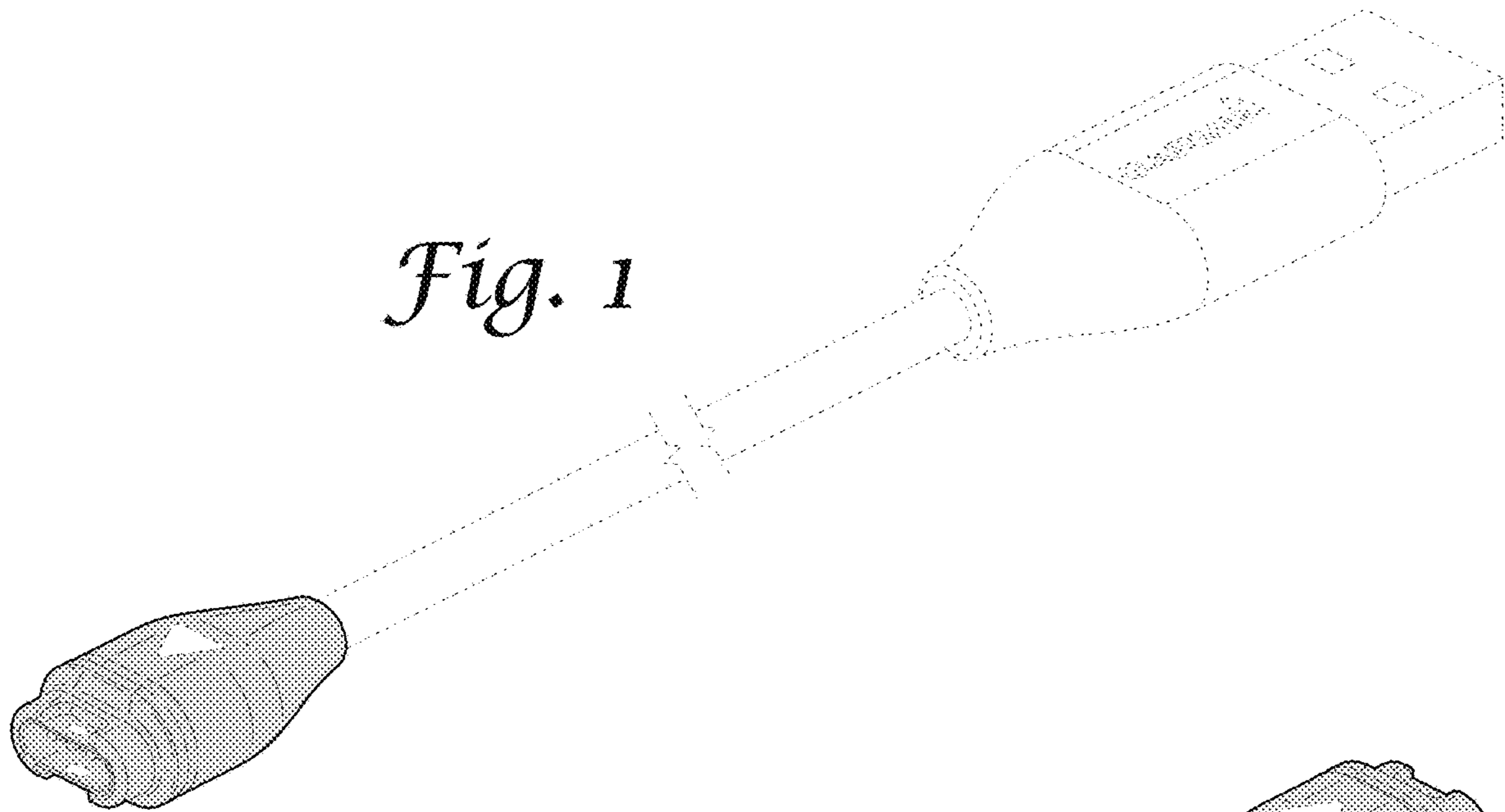
The ornamental design for a cable connector, as shown and  
described.

**DESCRIPTION**

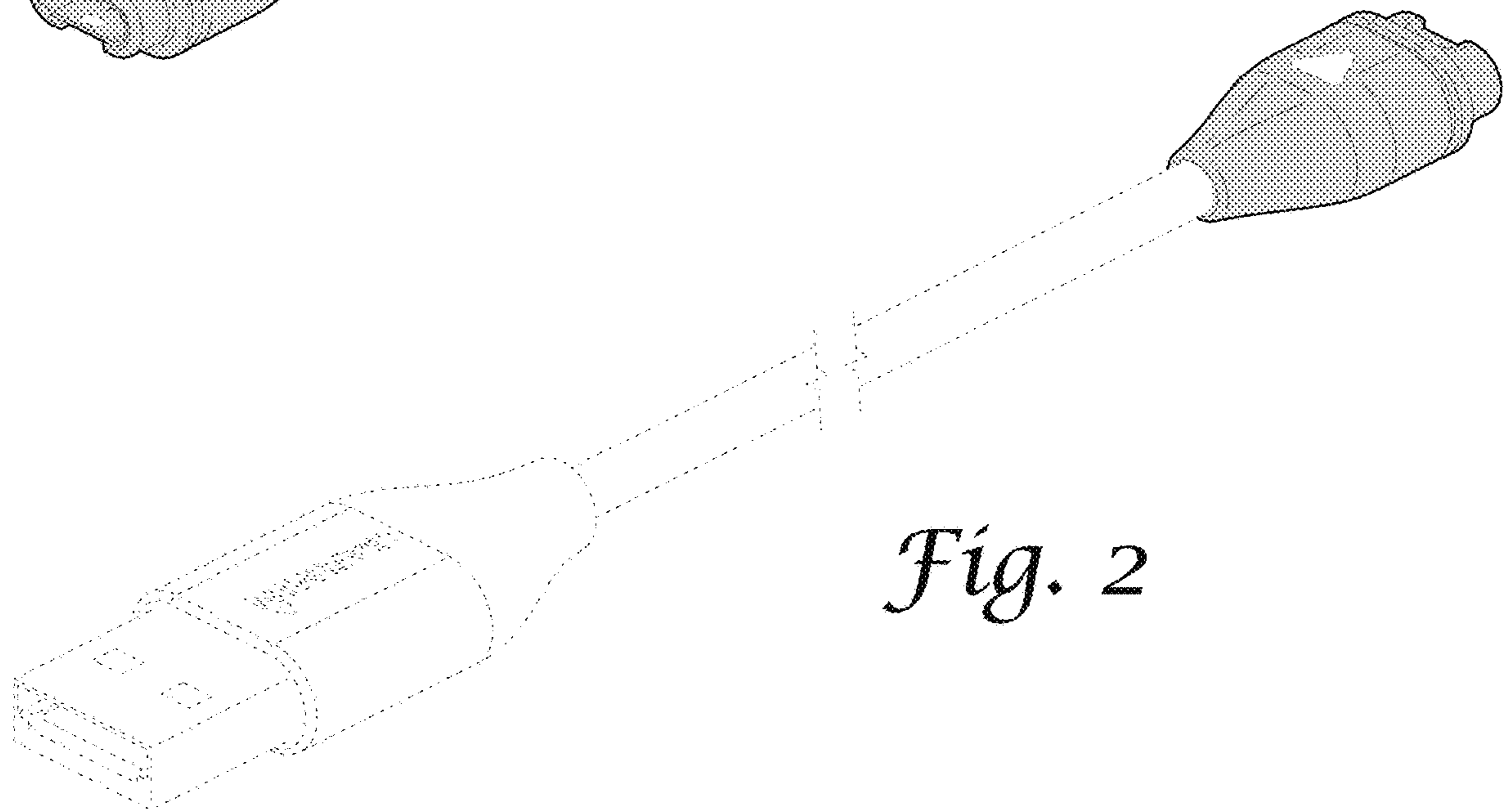
FIG. 1 is a front perspective view of a cable connector  
according to the present invention;  
FIG. 2 is a rear perspective view of the cable connector;  
FIG. 3 is a top view of the cable connector;  
FIG. 4 is a front view of the cable connector;  
FIG. 5 is a bottom view of the cable connector;  
FIG. 6 is a rear view of the cable connector;  
FIG. 7 is a left side view of the cable connector; and,  
FIG. 8 is a right side view of the cable connector.  
The broken lines shown in FIGS. 1 through 8 represent  
portions of the cable connector that form no part of the  
claimed design.

**1 Claim, 3 Drawing Sheets**

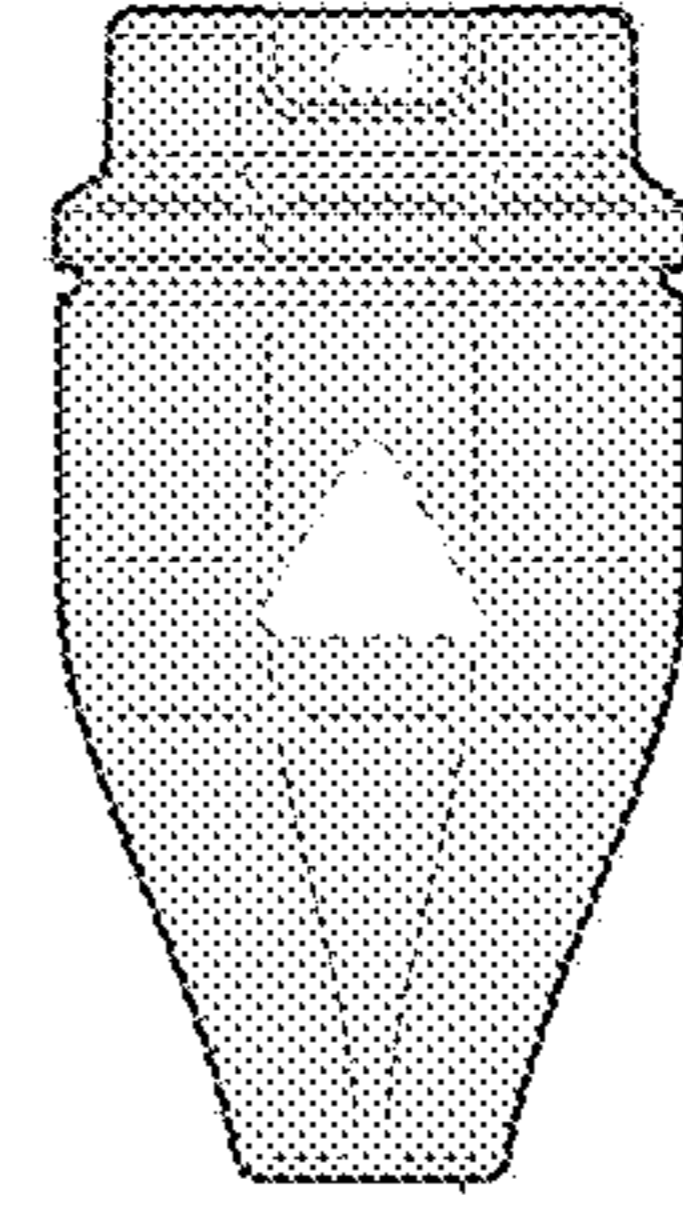
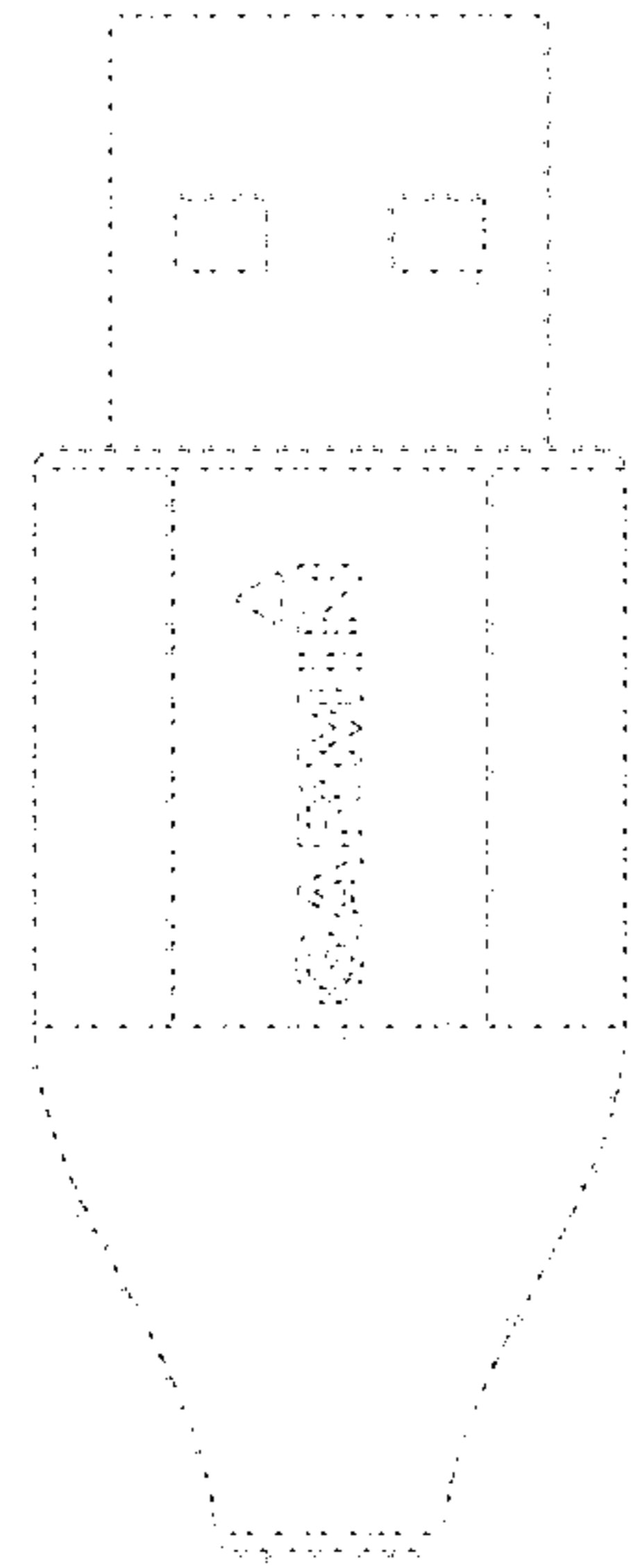




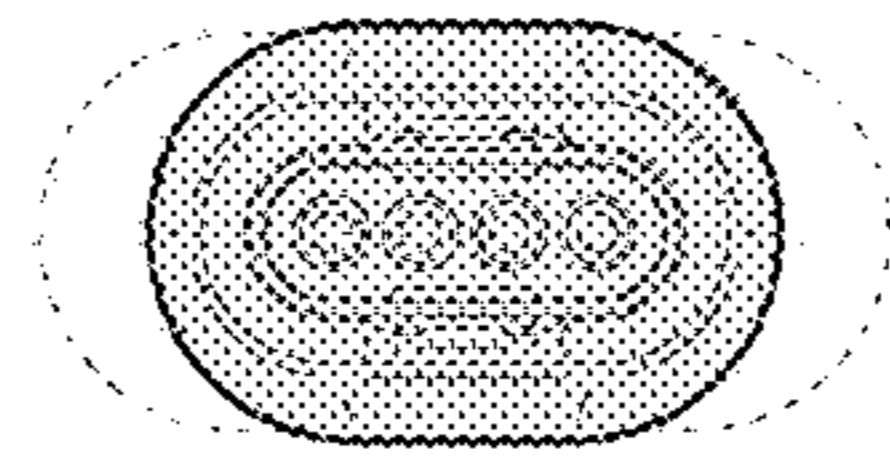
*Fig. 1*



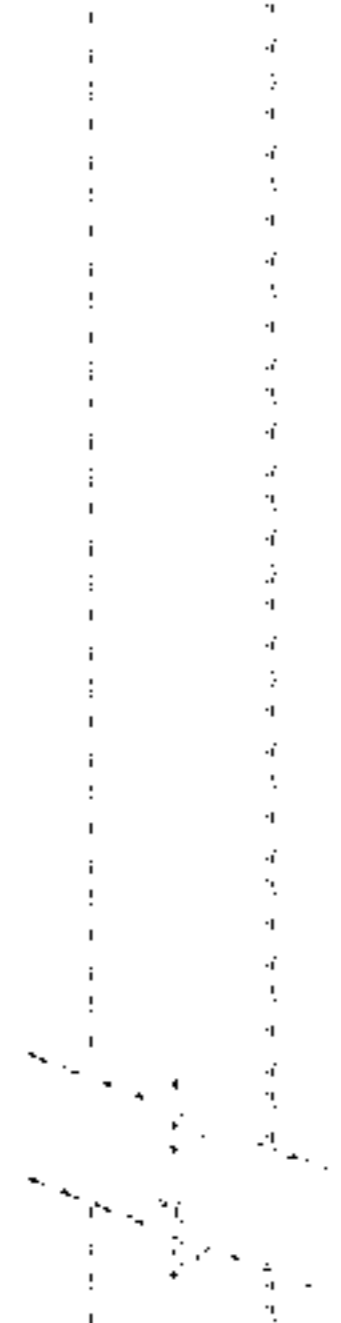
*Fig. 2*



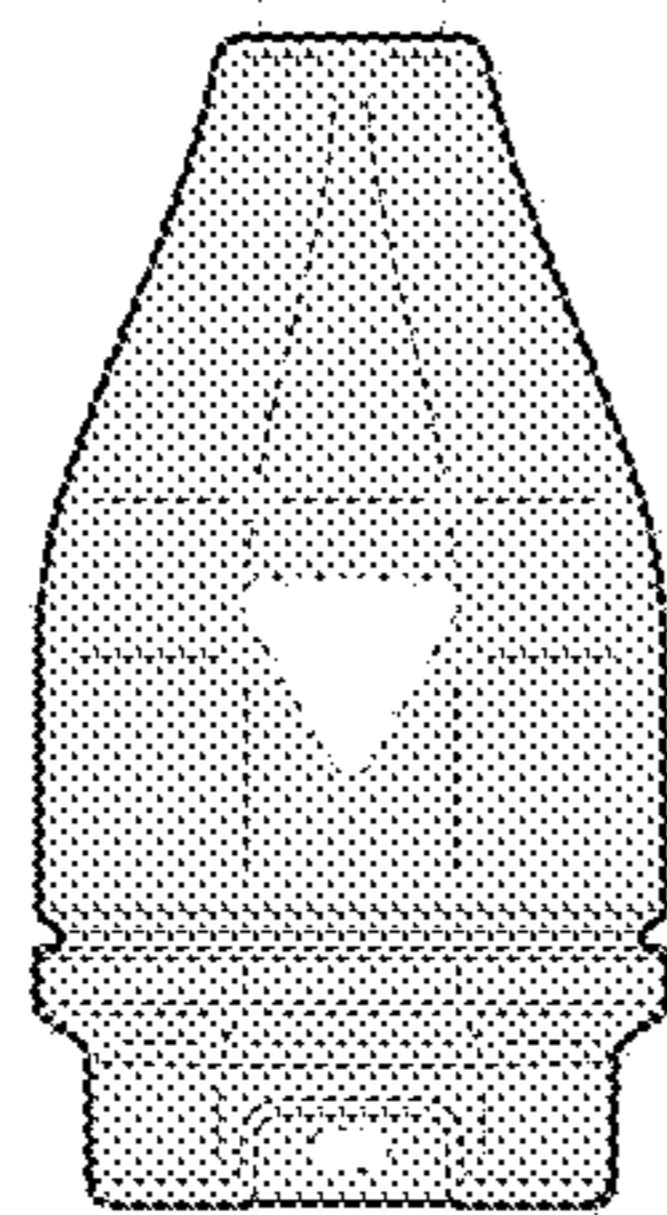
*Fig. 5*

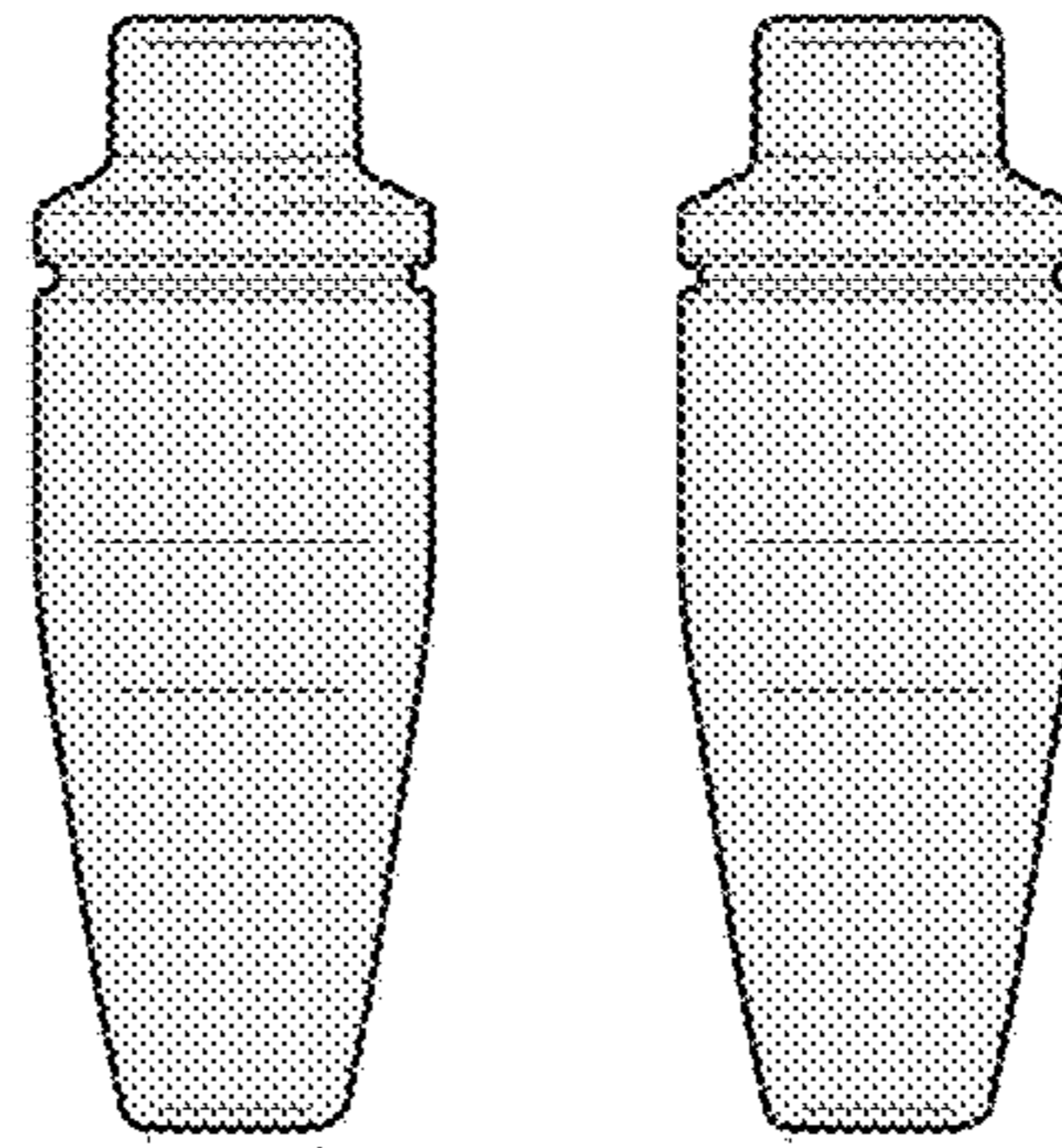


*Fig. 4*



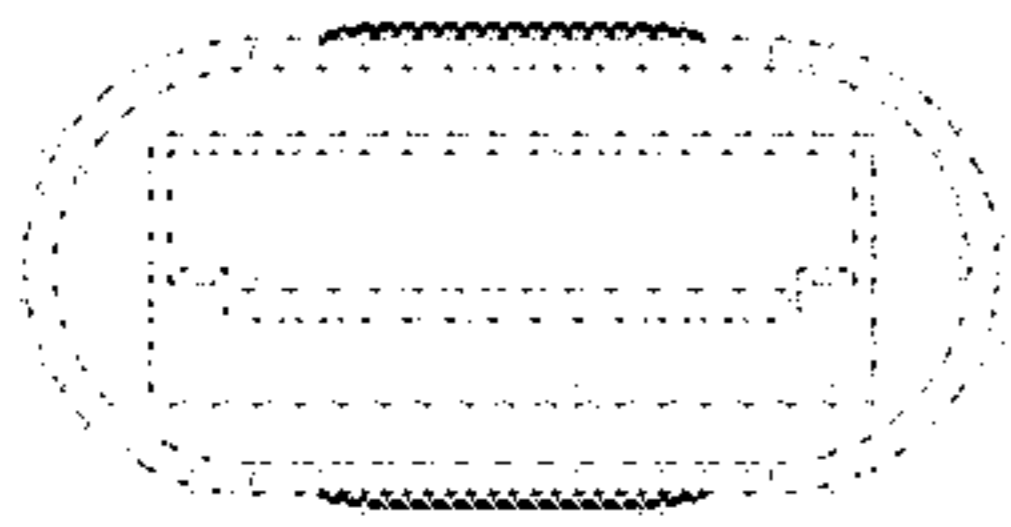
*Fig. 3*





*Fig. 7*

*Fig. 8*



*Fig. 6*

