



US00D797677S

(12) **United States Design Patent**
Ozeki

(10) **Patent No.:** **US D797,677 S**

(45) **Date of Patent:** **** Sep. 19, 2017**

(54) **ELECTRICAL CONNECTOR**

(71) Applicant: **DAI-ICHI SEIKO CO., LTD.**,
Kyoto-shi (JP)

(72) Inventor: **Kosuke Ozeki**, Fukuoka (JP)

(73) Assignee: **DAI-ICHI SEIKO CO., LTD.**,
Kyoto-shi (JP)

(**) Term: **15 Years**

(21) Appl. No.: **29/556,683**

(22) Filed: **Mar. 2, 2016**

(30) **Foreign Application Priority Data**

Sep. 9, 2015 (JP) 2015-019993

(51) **LOC (10) Cl.** **13-03**

(52) **U.S. Cl.**
USPC **D13/147**

(58) **Field of Classification Search**
USPC D13/120, 133, 146, 147, 154, 184, 199;
D14/432, 433, 435, 435.1, 436, 437, 438
CPC H01R 12/51; H01R 12/52; H01R 12/592;
H01R 12/61; H01R 12/70; H01R
12/7005; H01R 12/71; H01R 12/72;
H01R 12/73; H01R 12/732; H01R
12/737; H01R 12/77; H01R 12/774;
H01R 12/777; H01R 12/778; H01R
12/79; H01R 13/516

See application file for complete search history.

(56) **References Cited**

U.S. PATENT DOCUMENTS

D721,040 S * 1/2015 Watanabe D13/147
D722,969 S * 2/2015 Takemoto D13/147
D774,463 S * 12/2016 Omodachi D13/147
D774,464 S * 12/2016 Takenaga D13/147

FOREIGN PATENT DOCUMENTS

JP 1121642 9/2001

* cited by examiner

Primary Examiner — Daniel Bui

(74) *Attorney, Agent, or Firm* — Oblon, McClelland,
Maier & Neustadt, L.L.P.

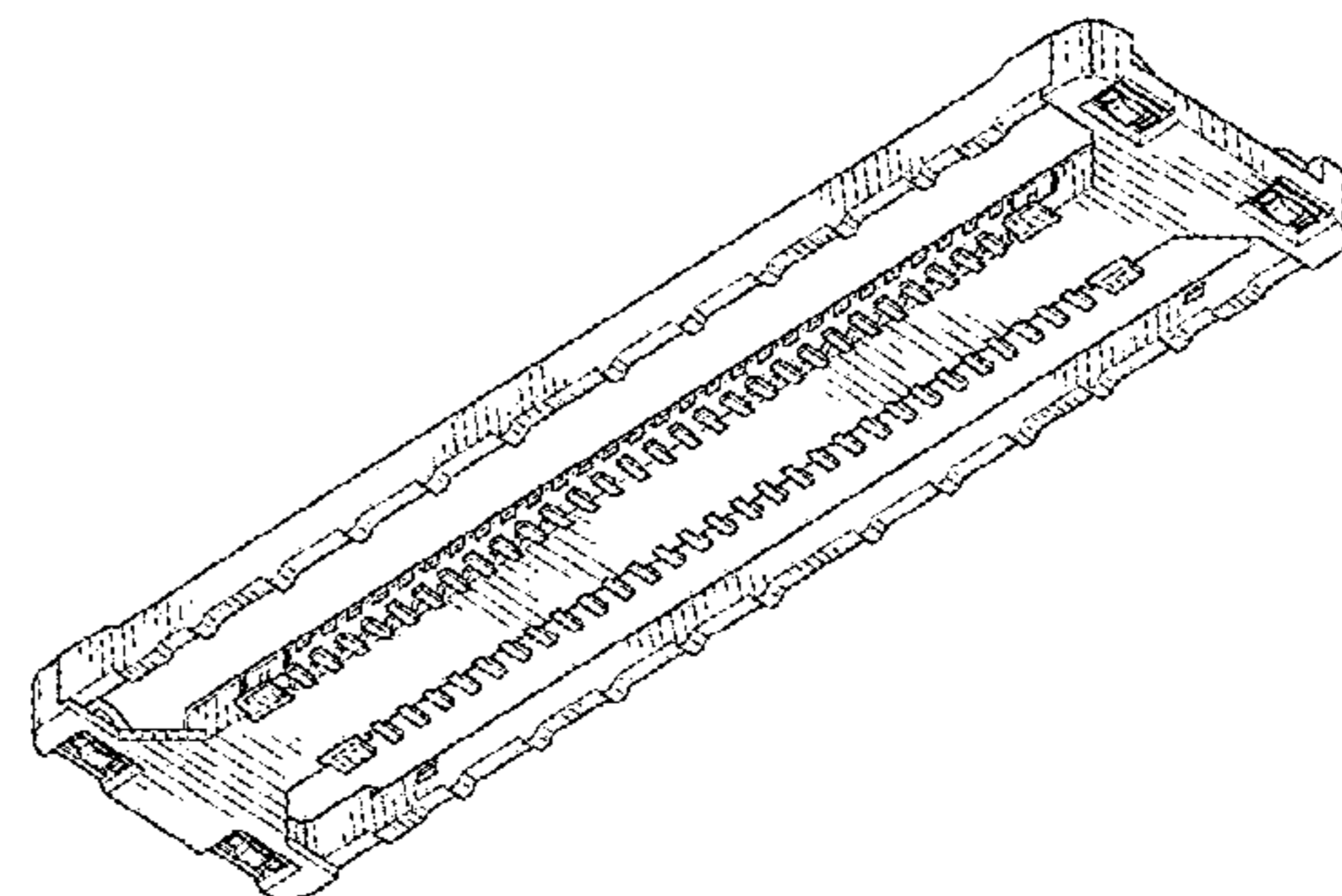
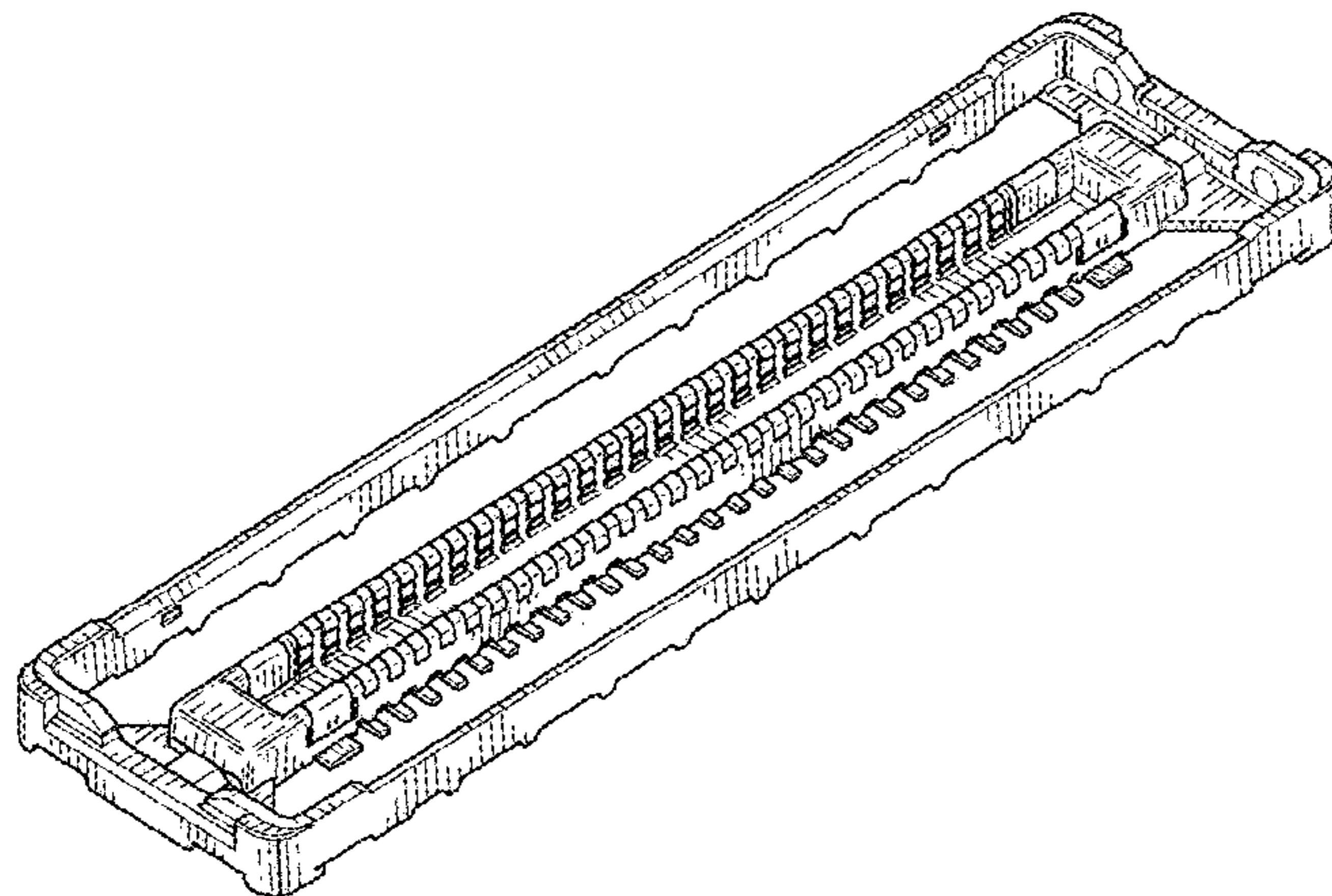
(57) **CLAIM**

I claim the ornamental design for an electrical connector, as shown and described.

DESCRIPTION

FIG. 1 is a top plan view of an electrical connector according to my new design;
FIG. 2 is a front elevational view thereof;
FIG. 3 is a bottom plan view thereof;
FIG. 4 is a rear elevational view thereof;
FIG. 5 is a right side elevational view thereof, the left side elevational view being a mirror image of the right side elevational view;
FIG. 6 is a front, top, and left side perspective view thereof; and,
FIG. 7 is a front, bottom, and right side perspective view thereof.

1 Claim, 7 Drawing Sheets



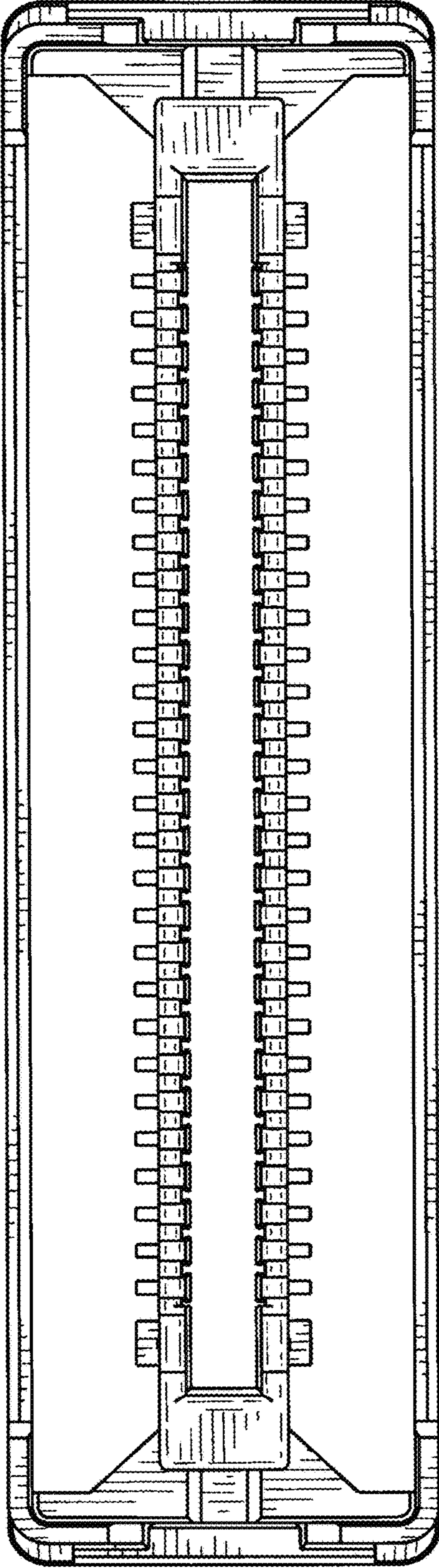


FIG. 1



FIG. 2

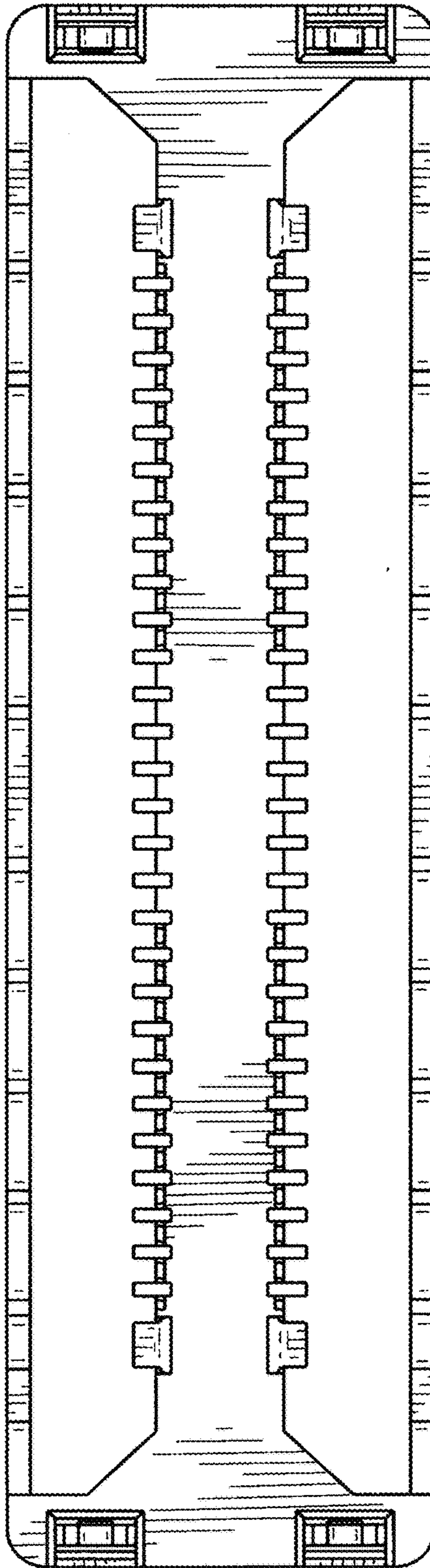


FIG. 3

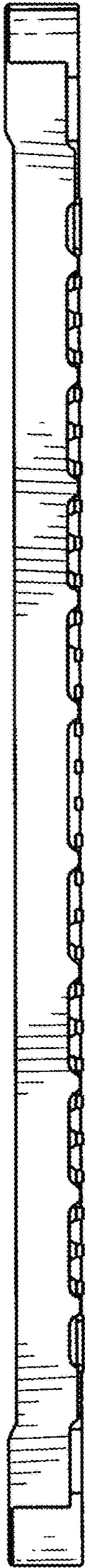


FIG. 4



FIG. 5

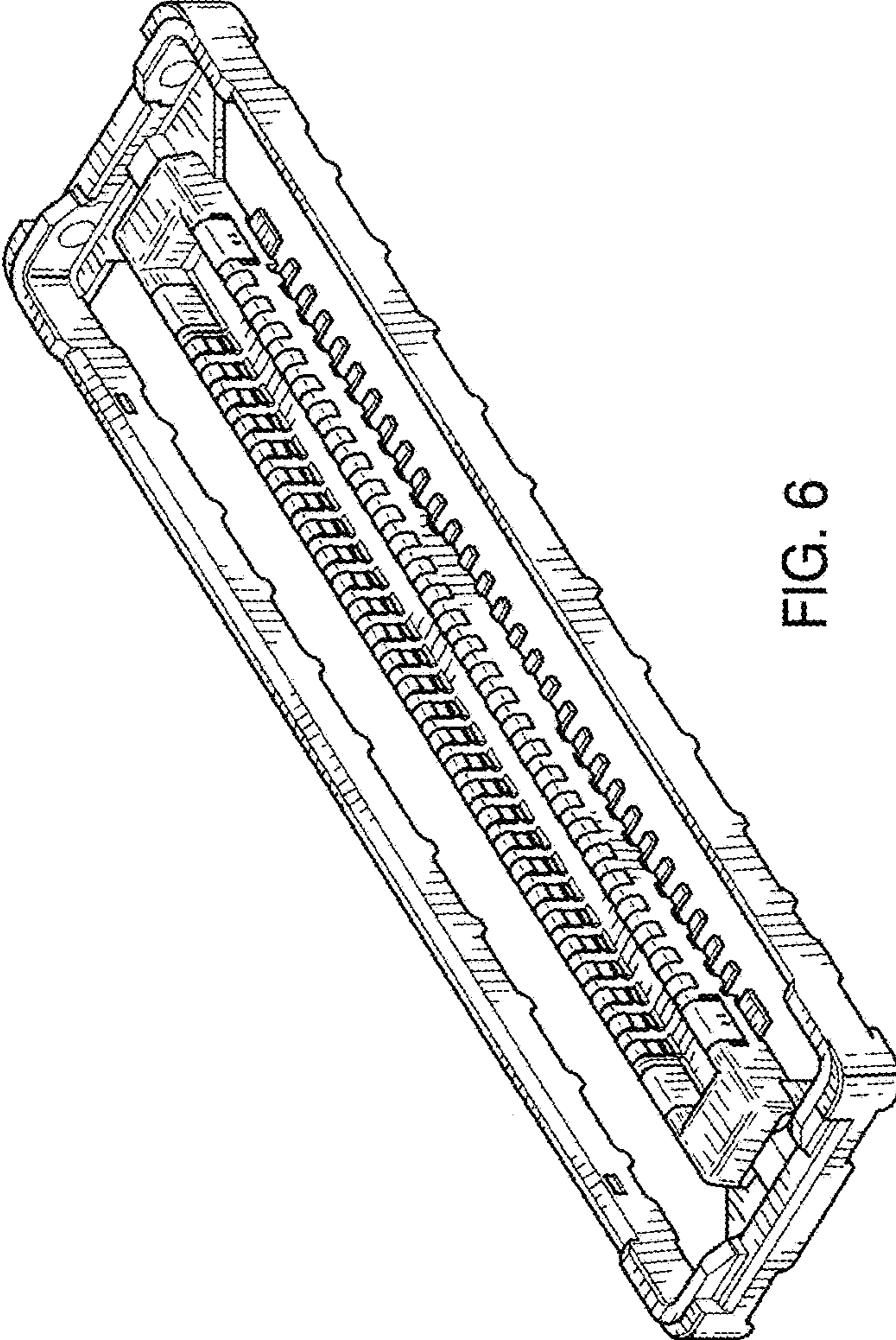


FIG. 6

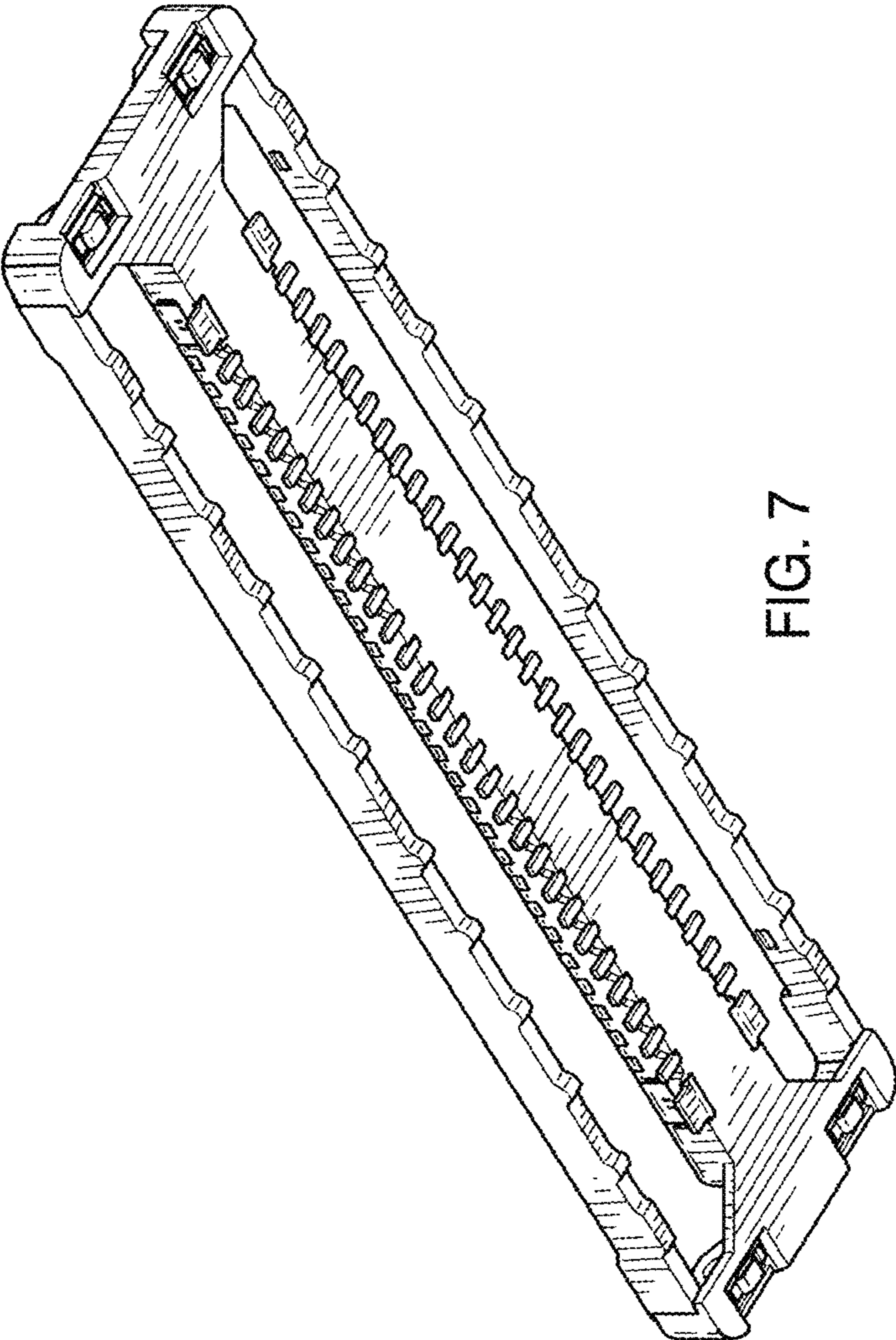


FIG. 7