



US00D797675S

(12) **United States Design Patent**
Xu

(10) **Patent No.:** **US D797,675 S**

(45) **Date of Patent:** **** Sep. 19, 2017**

(54) **POWER STRIP**

(71) Applicant: **Guangdong BESTEK E-commerce Co., Ltd.**, Shenzhen (CN)

(72) Inventor: **Xinhua Xu**, Shenzhen (CN)

(73) Assignee: **Guangdong BESTEK E-commerce Co., Ltd.**, Shenzhen (CN)

(**) Term: **15 Years**

(21) Appl. No.: **29/579,118**

(22) Filed: **Sep. 28, 2016**

(30) **Foreign Application Priority Data**

May 13, 2016 (CN) 2016 3 0178184

(51) **LOC (10) Cl.** **13-03**

(52) **U.S. Cl.**
USPC **D13/139.6**

(58) **Field of Classification Search**
USPC D13/108, 110, 123, 133, 137.1–137.4,
D13/138.1–138.2, 139.1–139.8, 152–154,
D13/156, 158, 177; D8/350–353
CPC H01R 25/00; H01R 25/006
See application file for complete search history.

(56) **References Cited**

U.S. PATENT DOCUMENTS

D446,189 S * 8/2001 Lee D13/139.8
D554,064 S * 10/2007 Ng D13/139.8

D576,553 S * 9/2008 Lee D13/139.6
D581,873 S * 12/2008 Zhou D13/139.6
D626,070 S * 10/2010 Byrne D13/139.4
D626,071 S * 10/2010 Su D13/139.8
D775,081 S * 12/2016 Xu D13/139.6

* cited by examiner

Primary Examiner — Rosemary K Tarcza

Assistant Examiner — Christy Nemeth

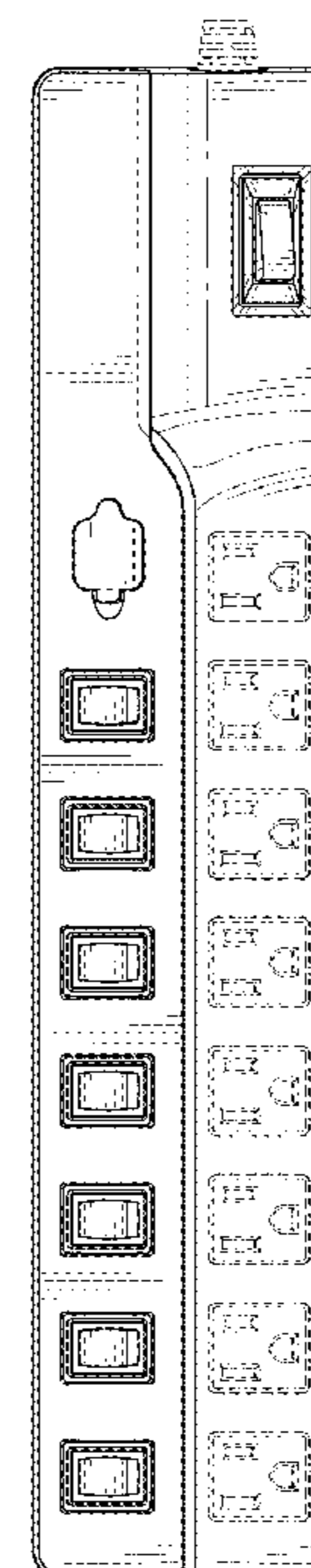
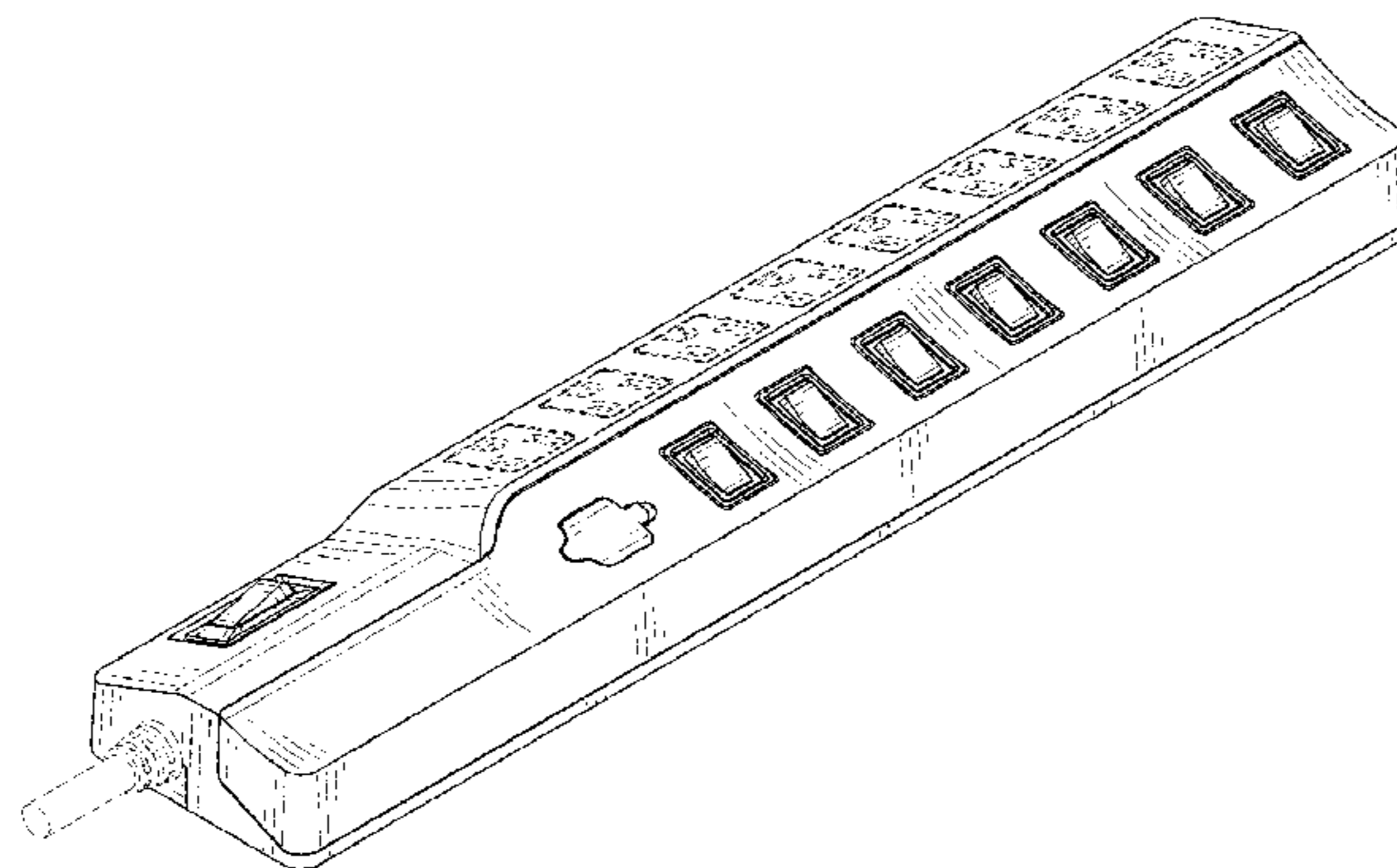
(57) **CLAIM**

The ornamental design for a power strip, as shown and described.

DESCRIPTION

FIG. 1 is a perspective view of a power strip showing my new design;
FIG. 2 is a front elevational view thereof;
FIG. 3 is a rear elevational view thereof;
FIG. 4 is a left side elevational view thereof;
FIG. 5 is a right side elevational view thereof;
FIG. 6 is a top plan view thereof; and,
FIG. 7 is a bottom plan view thereof.
The broken lines in the drawings are for the purpose of illustrating portions of the power strip that form no part of the claimed design.

1 Claim, 7 Drawing Sheets



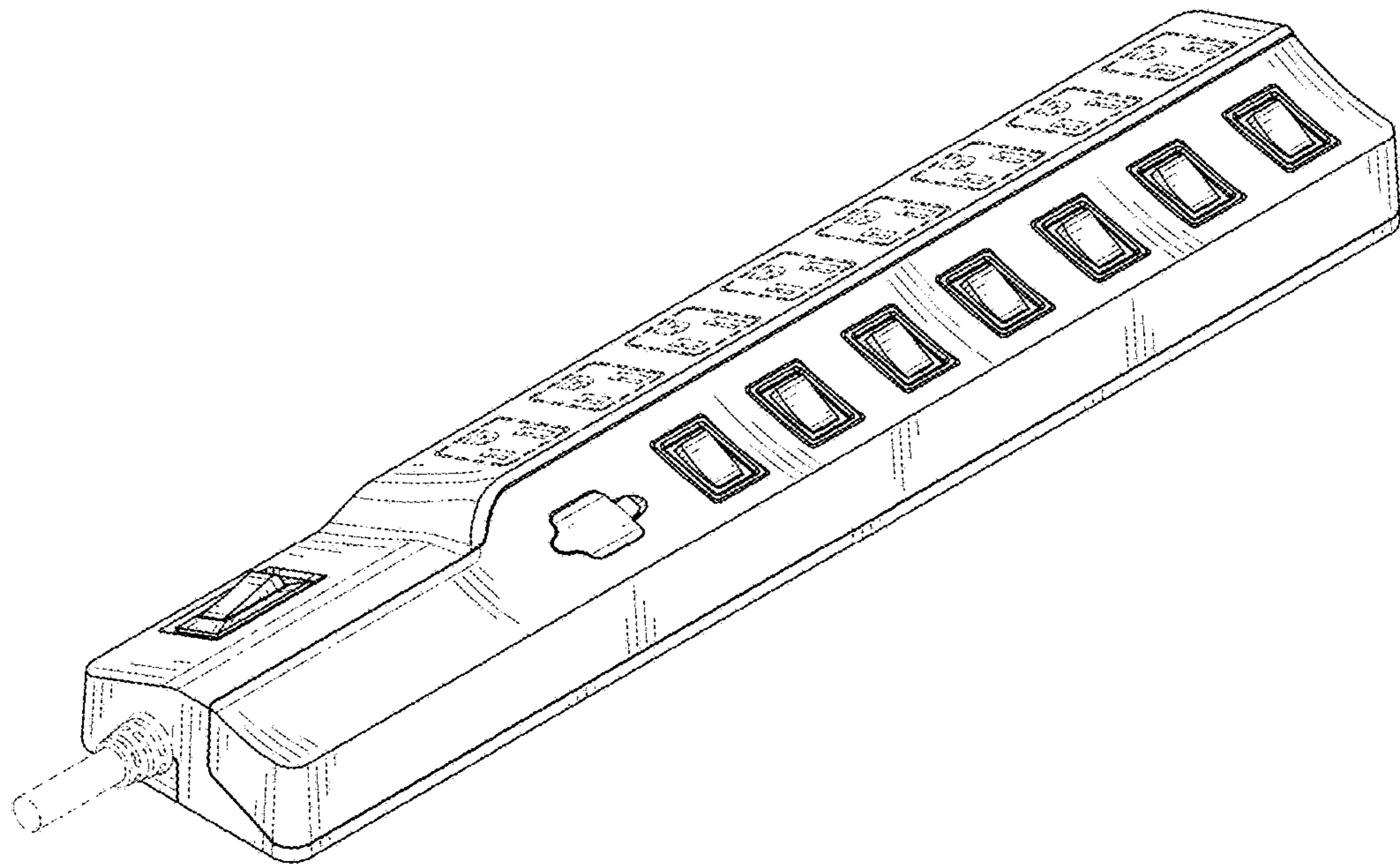


FIG. 1

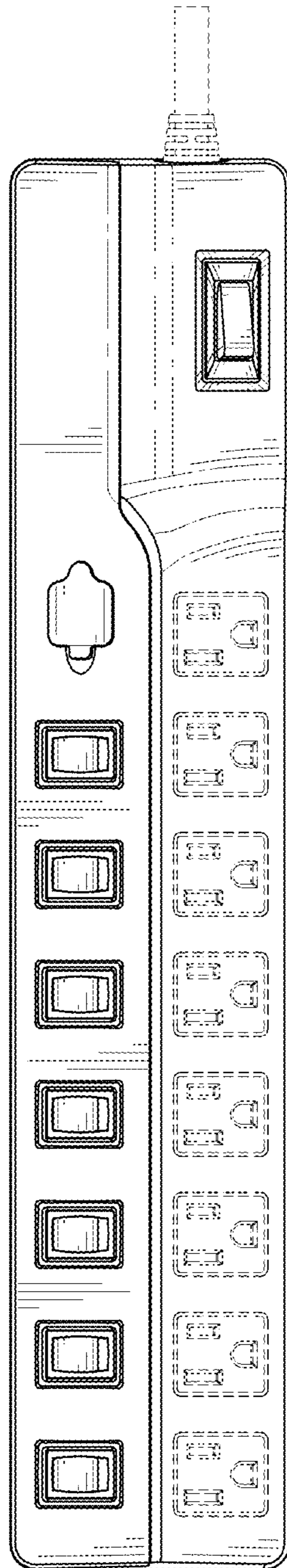


FIG. 2

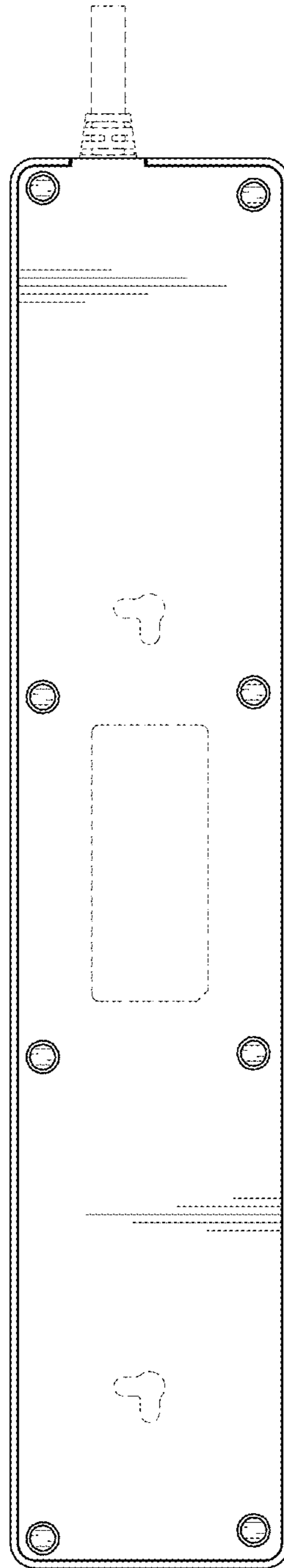


FIG. 3

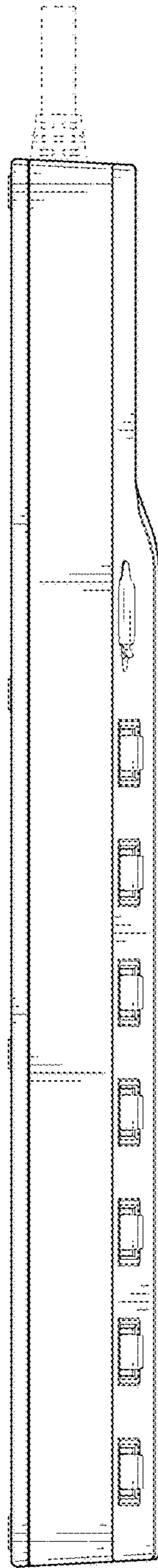


FIG. 4

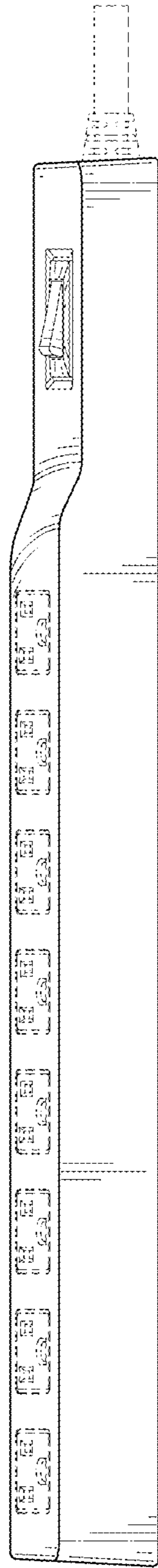


FIG. 5

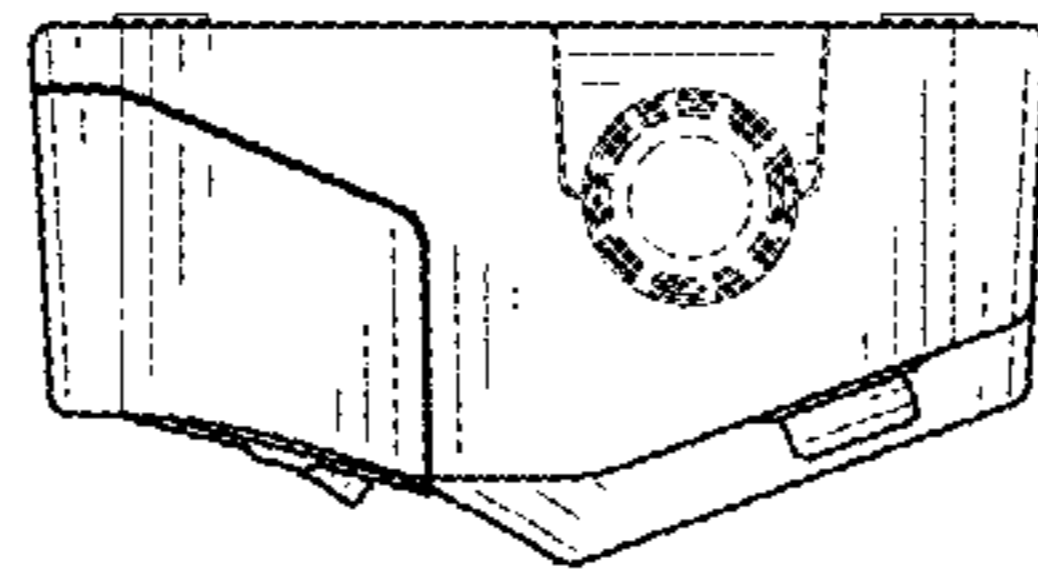


FIG. 6

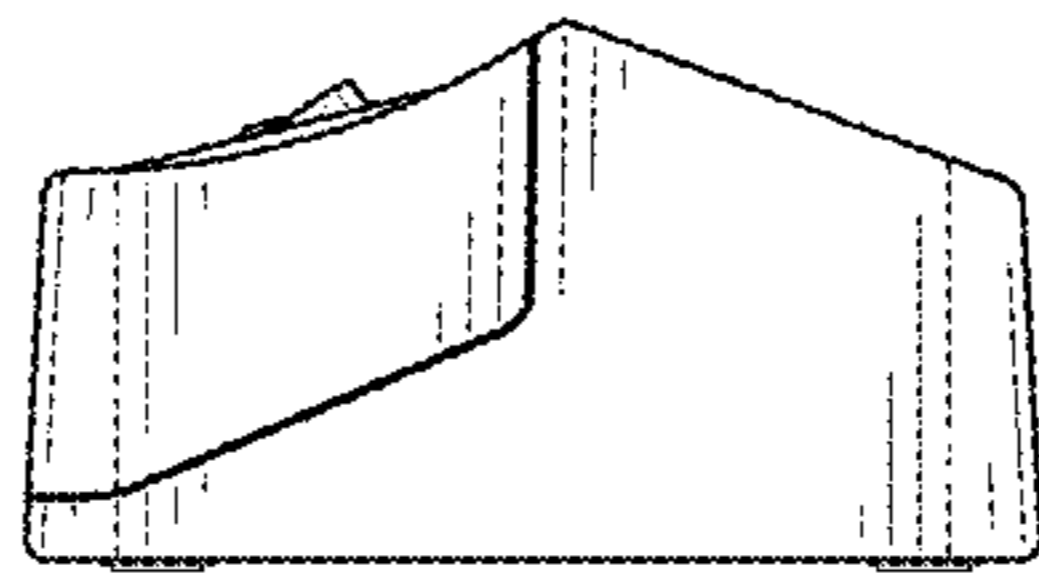


FIG. 7