

US00D797673S

(12) **United States Design Patent** (10) **Patent No.:** **US D797,673 S**
Liao (45) **Date of Patent:** **** Sep. 19, 2017**

(54) **ELECTRICAL CONNECTOR**
(71) Applicant: **FOXCONN INTERCONNECT TECHNOLOGY LIMITED**, Grand Cayman (KY)
(72) Inventor: **Fang-Jwu Liao**, New Taipei (TW)
(73) Assignee: **FOXCONN INTERCONNECT TECHNOLOGY LIMITED**, Grand Cayman (KY)
(**) Term: **14 Years**
(21) Appl. No.: **29/502,917**
(22) Filed: **Sep. 22, 2014**

(30) **Foreign Application Priority Data**
Mar. 25, 2014 (TW) 103301677
(51) **LOC (10) Cl.** **13-03**
(52) **U.S. Cl.**
USPC **D13/133**
(58) **Field of Classification Search**
USPC D13/118, 123, 133-135, 146-151, D13/153-156, 173, 184, 199; D6/518; D9/434, 439, 730, 734
CPC F16L 3/22; H02G 3/32; H01R 4/00; H01R 4/60; H01R 4/66; H01R 13/00; H01R 13/44; H01R 13/40; H01R 13/64; H01R 13/06; H01R 13/52; H01R 13/58; H01R 13/62; H01R 24/38; H01R 43/00; H01R 43/18; H01R 43/22; H01R 43/06
See application file for complete search history.

(56) **References Cited**
U.S. PATENT DOCUMENTS
D248,097 S * 6/1978 Feinbloom D13/149
4,232,934 A * 11/1980 Feinbloom G02B 6/4292
279/102

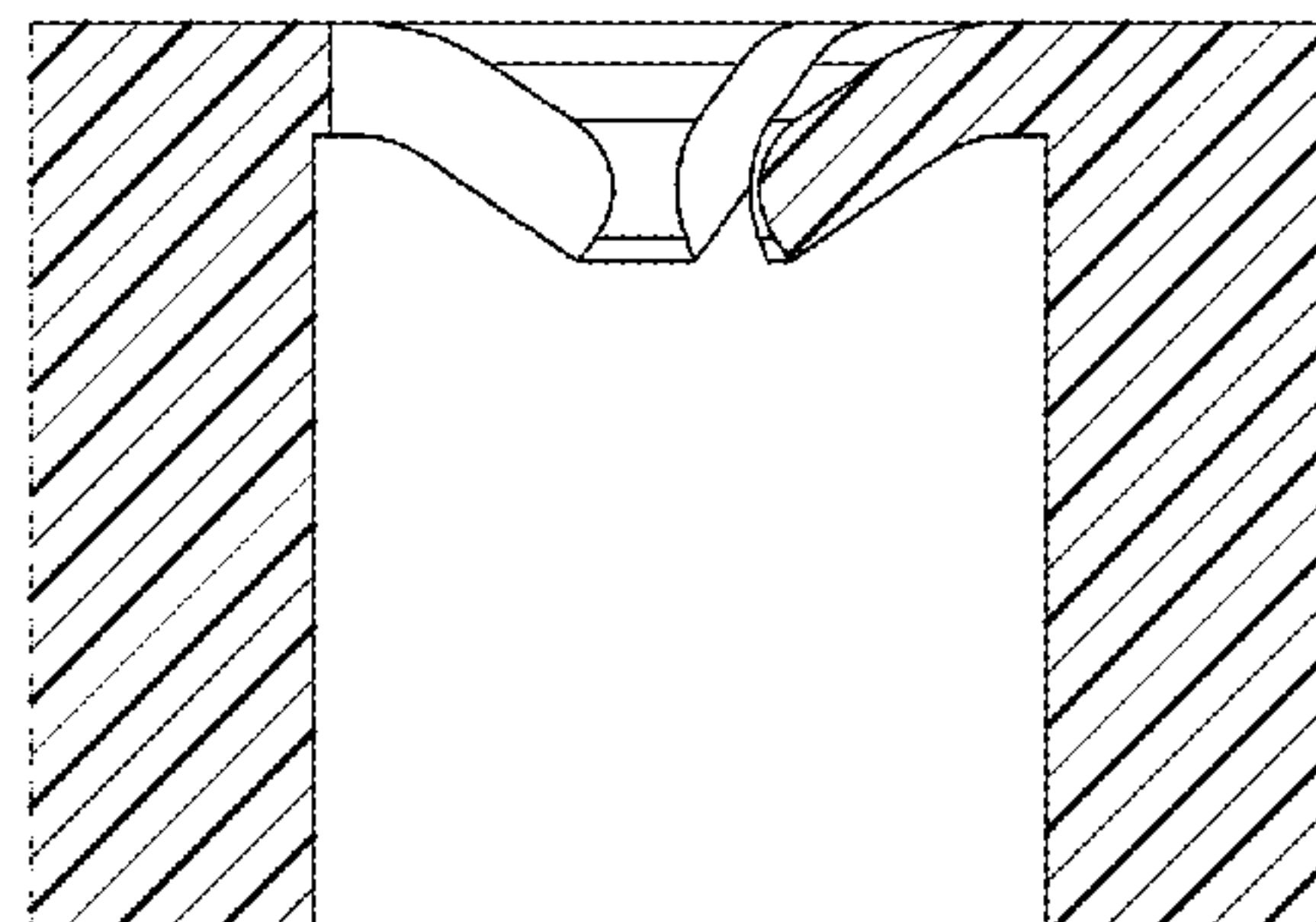
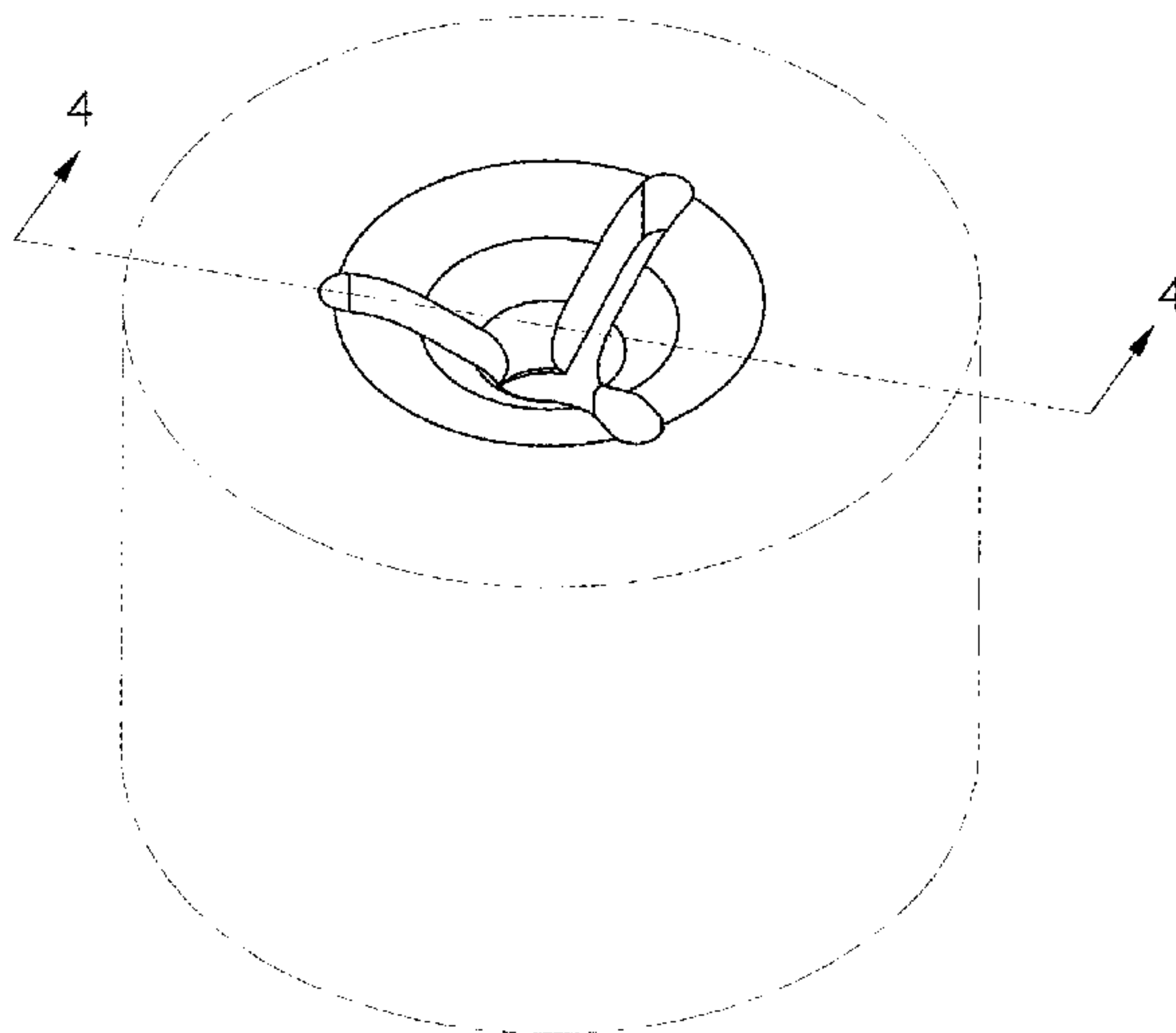
4,267,995 A * 5/1981 McMillan H02G 3/32
174/153 G
D296,765 S * 7/1988 Urion D9/434
D341,779 S * 11/1993 Lewis D9/435
D392,547 S * 3/1998 Nakamura D8/356
D443,811 S * 6/2001 Tisbo D8/356
D479,978 S * 9/2003 Watabe D8/356
D521,455 S * 5/2006 Radza D13/154
D524,756 S * 7/2006 Radza D13/154
D559,660 S * 1/2008 DeCosta D8/356
D563,328 S * 3/2008 Sano D13/173
D664,832 S * 8/2012 van der Vorst D8/356
D690,650 S * 10/2013 Lin D13/122
D691,951 S * 10/2013 Evers D13/133
D699,193 S * 2/2014 Zeller D13/155
D719,521 S * 12/2014 DeCosta D13/155
D719,525 S * 12/2014 DeCosta D13/155
D730,185 S * 5/2015 Blanco D9/439
(Continued)

Primary Examiner — Thomas Johannes
Assistant Examiner — Shawn T Gingrich
(74) *Attorney, Agent, or Firm* — Wei Te Chung; Ming Chieh Chang

(57) **CLAIM**
The ornamental design for an electrical connector, as shown and described.

DESCRIPTION
FIG. 1 is a perspective view of an electrical connector showing our new design;
FIG. 2 is a top plan view thereof;
FIG. 3 is a bottom plan view thereof; and,
FIG. 4 is a cross-sectional view of the electrical connector taken along line 4-4 of FIG. 1.
The broken line portion of the figure drawing is included to show portions of the article that forms no part of the claimed design, and the dash-dot line portion of the figure drawing represents the boundary that forms no part of the claims design.

1 Claim, 4 Drawing Sheets



(56)

References Cited

U.S. PATENT DOCUMENTS

9,604,068 B2 * 3/2017 Malinowski A61N 1/056
2002/0029902 A1 * 3/2002 DiStefano H01L 23/49838
174/260
2016/0301156 A1 * 10/2016 Aldrich H01R 13/59

* cited by examiner

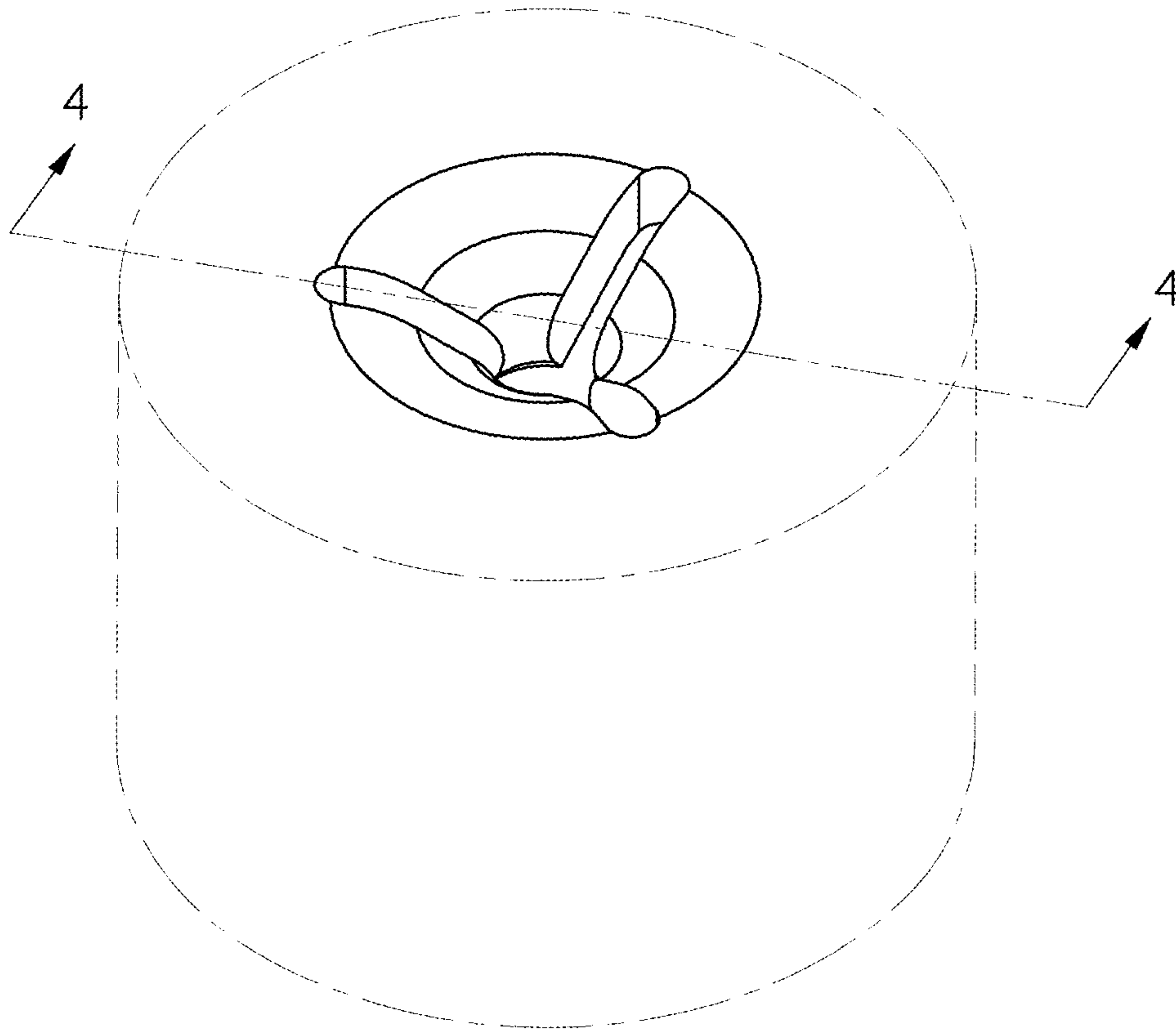


FIG. 1

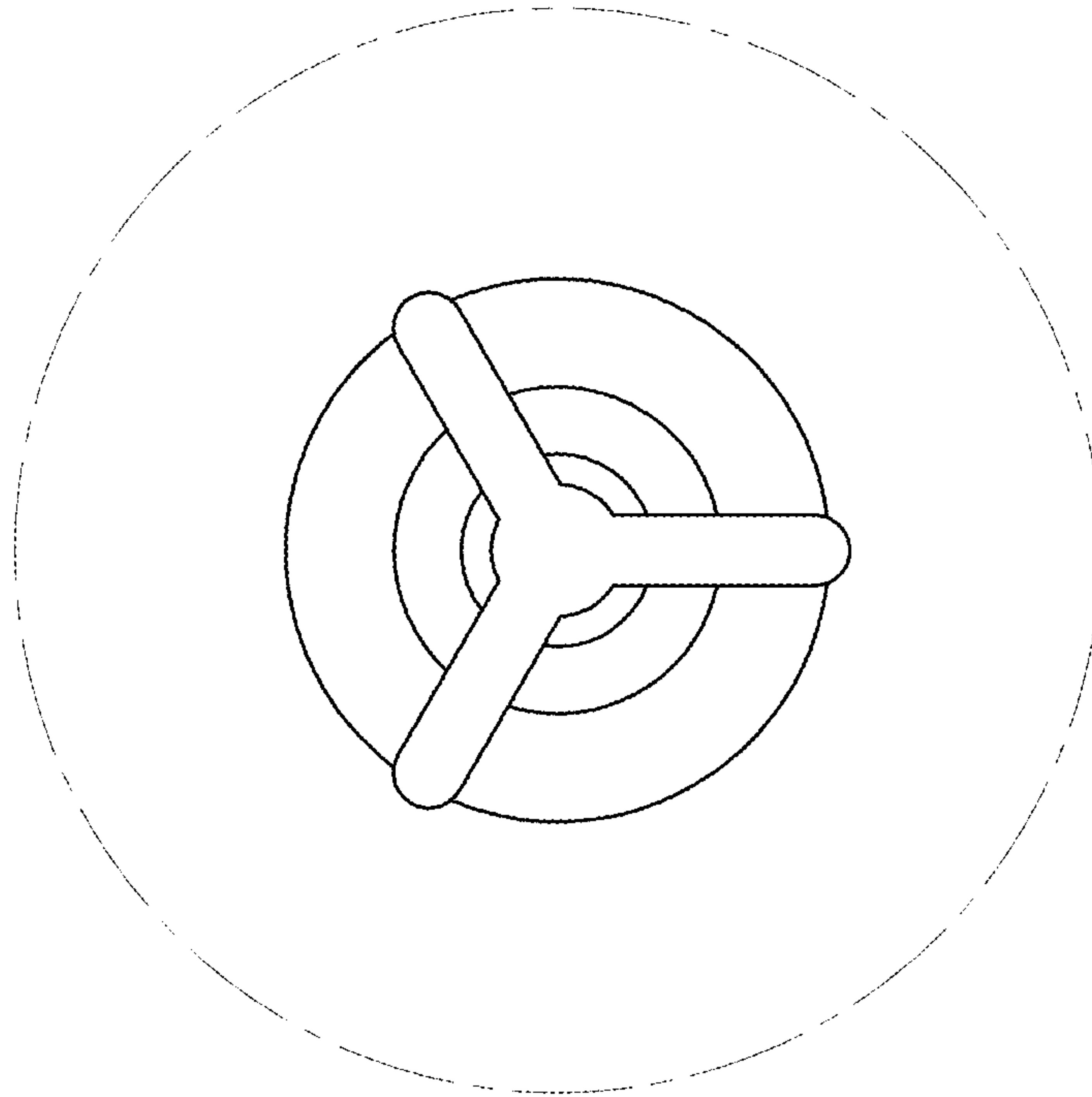


FIG. 2

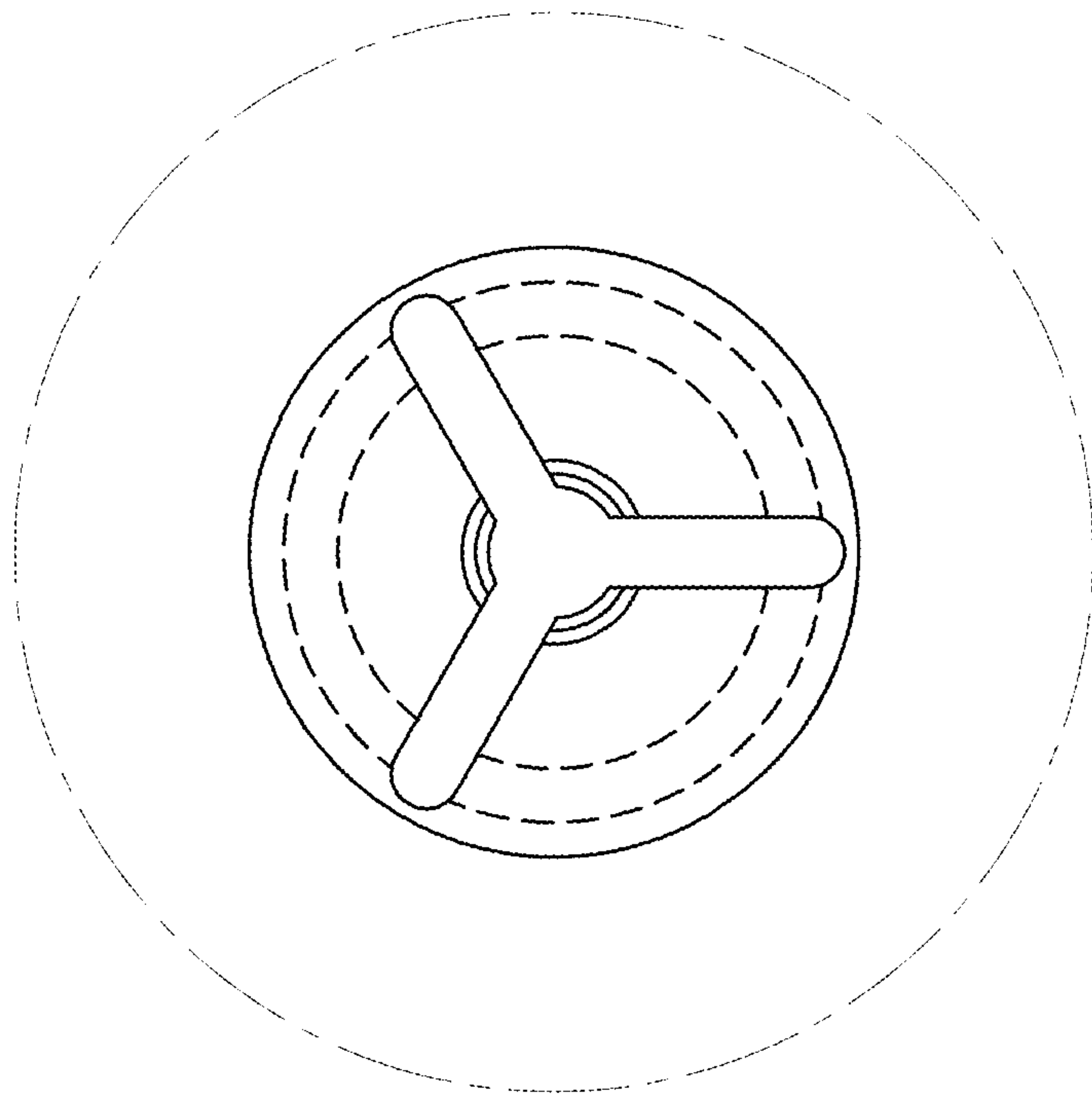


FIG. 3

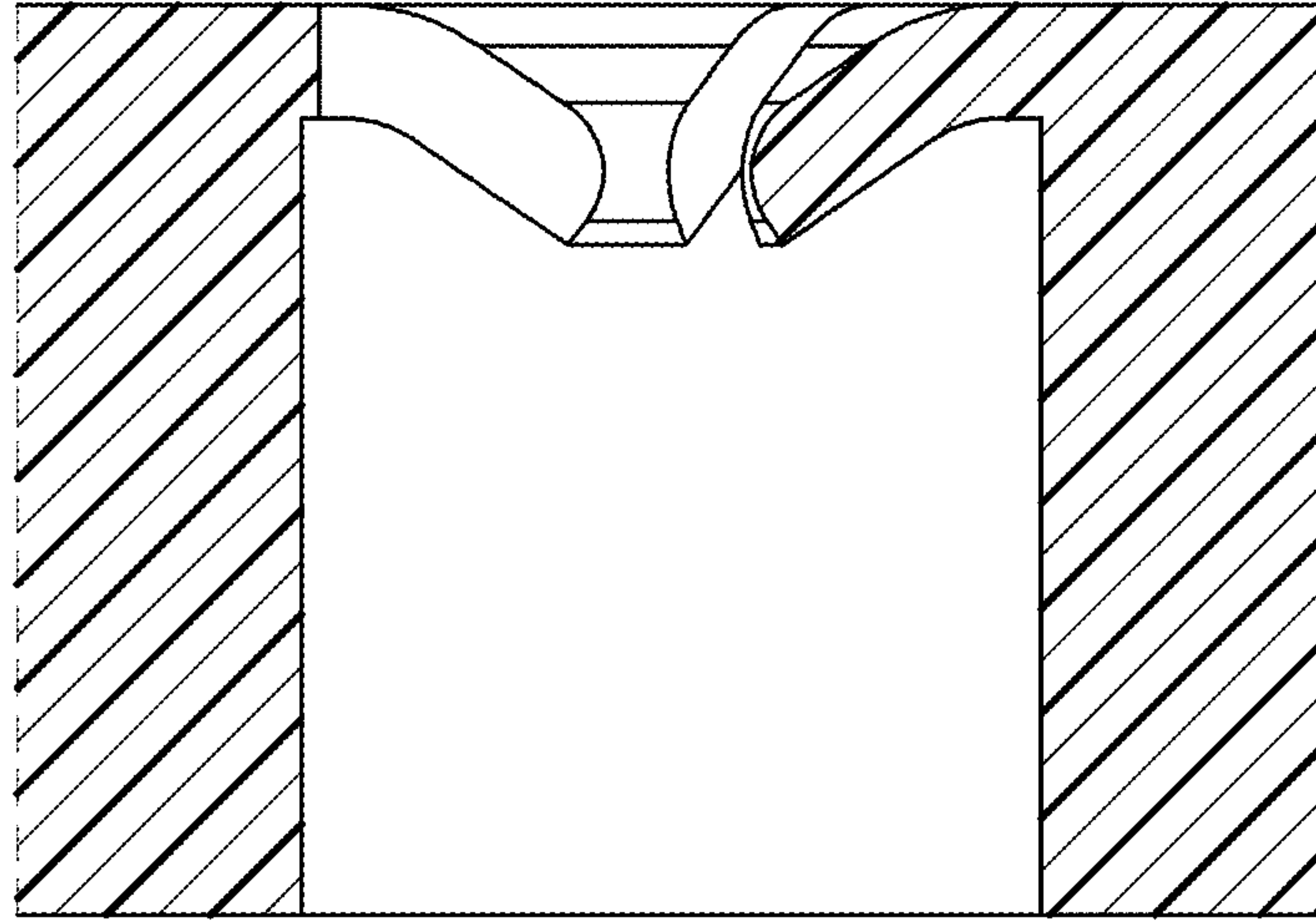


FIG. 4