

US00D797671S

(12) **United States Design Patent** (10) **Patent No.:** **US D797,671 S**
Andersson et al. (45) **Date of Patent:** **** Sep. 19, 2017**

(54) **ELECTRICAL CONNECTION BOX FOR ELECTRIC MOTORS**

(71) Applicant: **Siemens Aktiengesellschaft**, Munich (DE)

(72) Inventors: **Jan Andersson**, Erlangen (DE); **Michael Handwerker**, Bischofsheim (DE); **Stephan Huehne**, Wilhermsdorf (DE); **Martin Koenig**, Fladungen (DE); **Marco Steinmueller**, Mellrichstadt (DE)

(73) Assignee: **Siemens Aktiengesellschaft**, Munich (DE)

(**) Term: **15 Years**

(21) Appl. No.: **29/559,209**

(22) Filed: **Mar. 25, 2016**

(30) **Foreign Application Priority Data**

Sep. 25, 2015 (EM) 001440408

(51) **LOC (10) Cl.** **13-02**

(52) **U.S. Cl.**
USPC **D13/122**

(58) **Field of Classification Search**
USPC D13/112, 113, 118, 120; 337/186; 310/68 R, 71, 89; 174/17 R, 50
CPC H01F 27/30; H01F 27/28; H01F 27/24; H01M 2200/00; H01M 2/30
See application file for complete search history.

(56) **References Cited**

U.S. PATENT DOCUMENTS

D264,460 S *	5/1982	Moller	D13/184
D568,811 S *	5/2008	Andersson	D13/112
D573,534 S *	7/2008	Andersson	D13/113
D588,063 S *	3/2009	Lannoch	D13/112
2012/0126647 A1 *	5/2012	Quero	H02K 5/225 310/71

* cited by examiner

Primary Examiner — Daniel Bui

Assistant Examiner — Andrew Kerr

(74) *Attorney, Agent, or Firm* — Schiff Hardin LLP

(57) **CLAIM**

The ornamental design for an electrical connection box for electric motors, as shown and described.

DESCRIPTION

FIG. 1 is a front elevational view of an electrical connection box for electric motors showing our new design; FIG. 2 is a back elevational view thereof; FIG. 3 is a top plan view thereof; FIG. 4 is a bottom plan view thereof; FIG. 5 is a right side elevational view thereof; FIG. 6 is a left side elevational view thereof; and, FIG. 7 is a perspective view taken generally from the upper, front, left-hand side thereof.

1 Claim, 7 Drawing Sheets

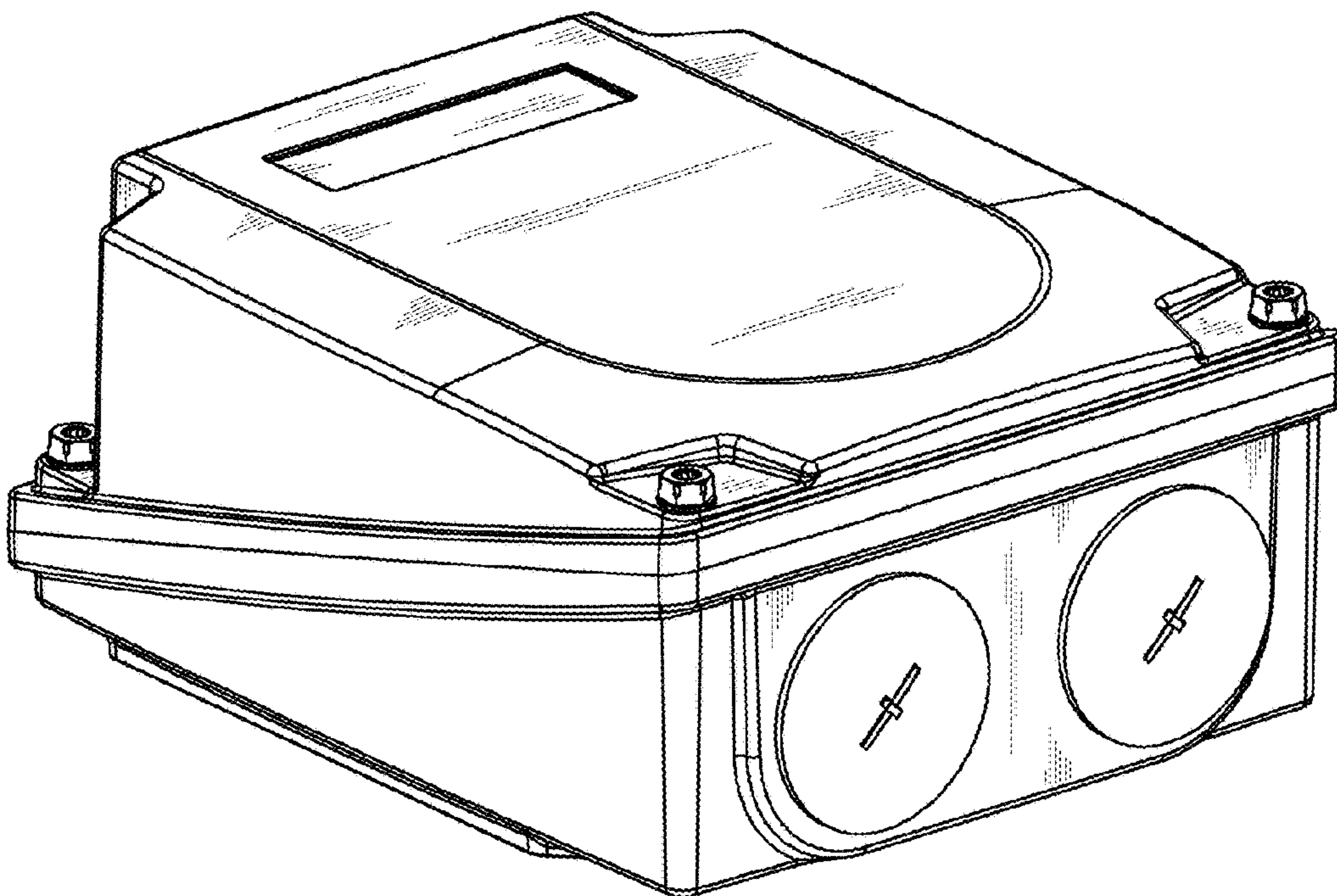


FIG. 1

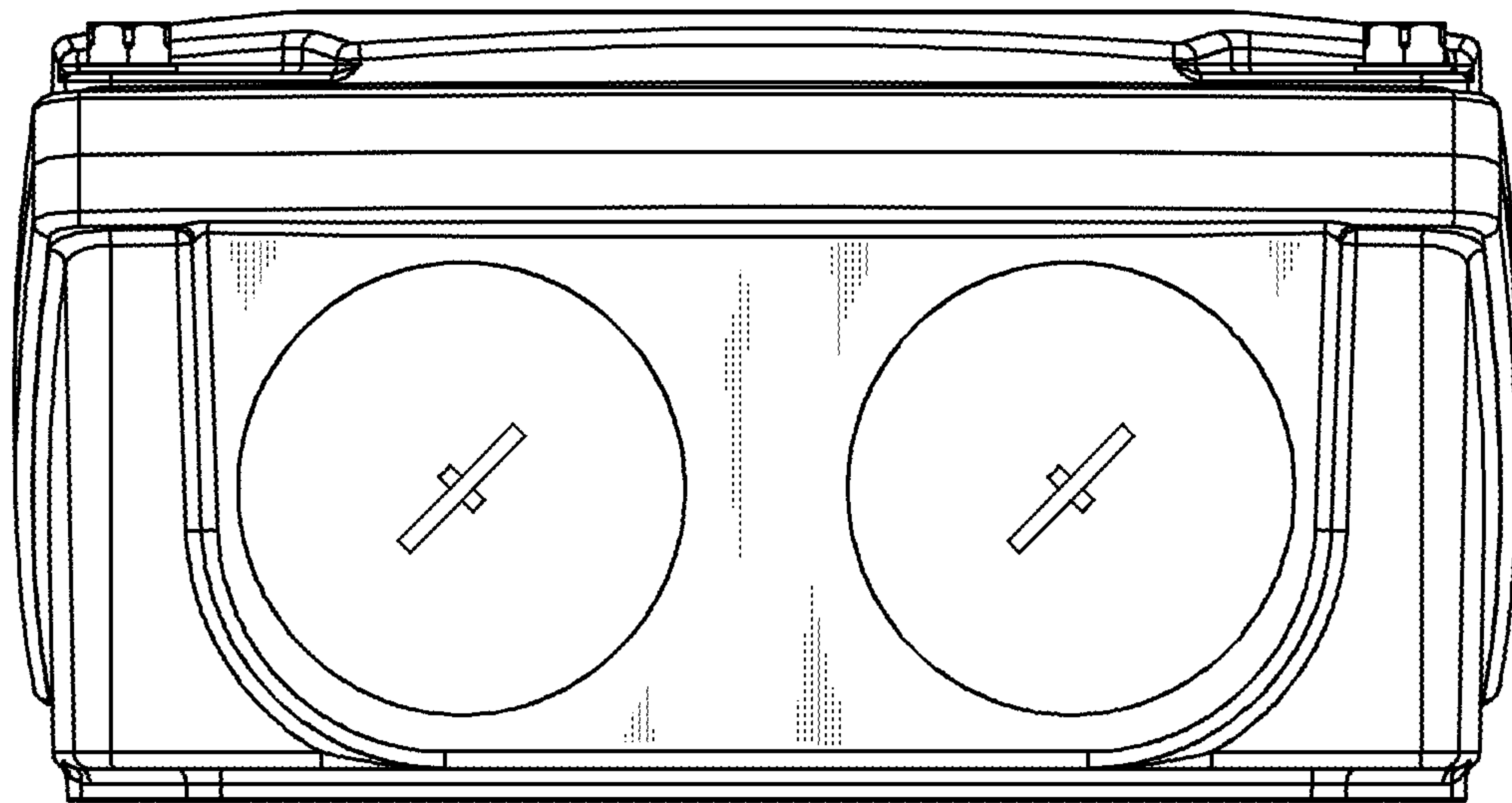


FIG. 2

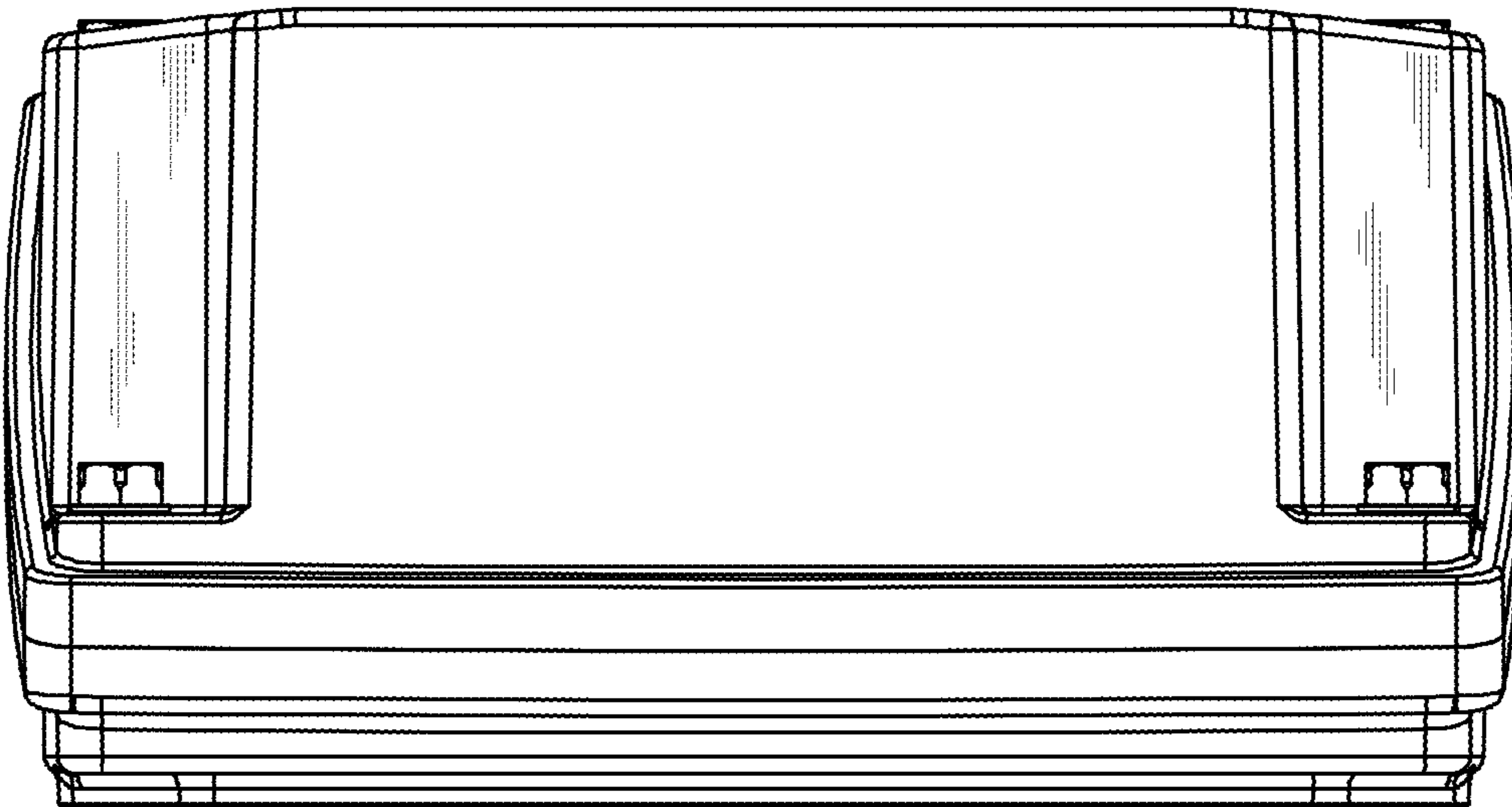


FIG. 3

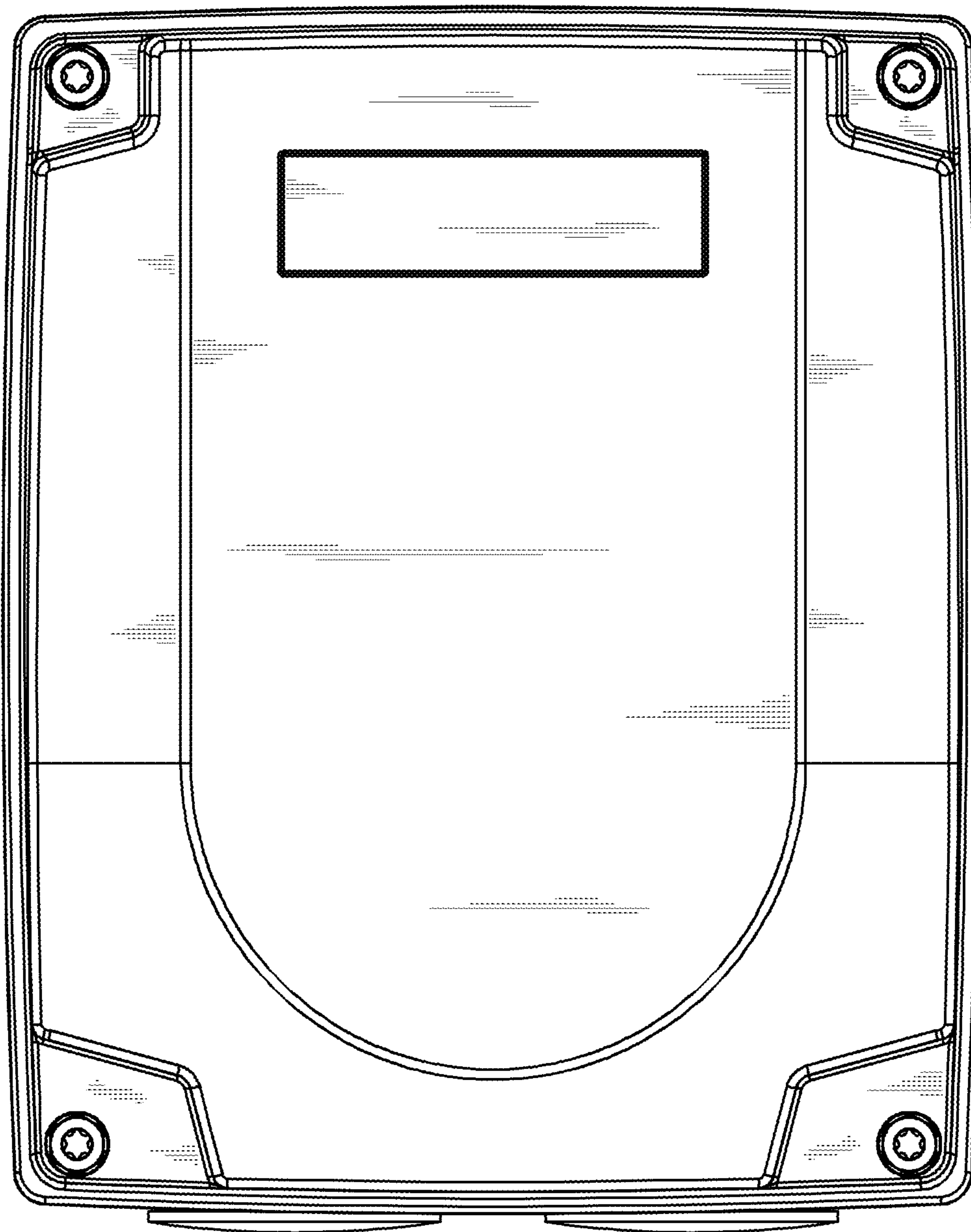


FIG. 4

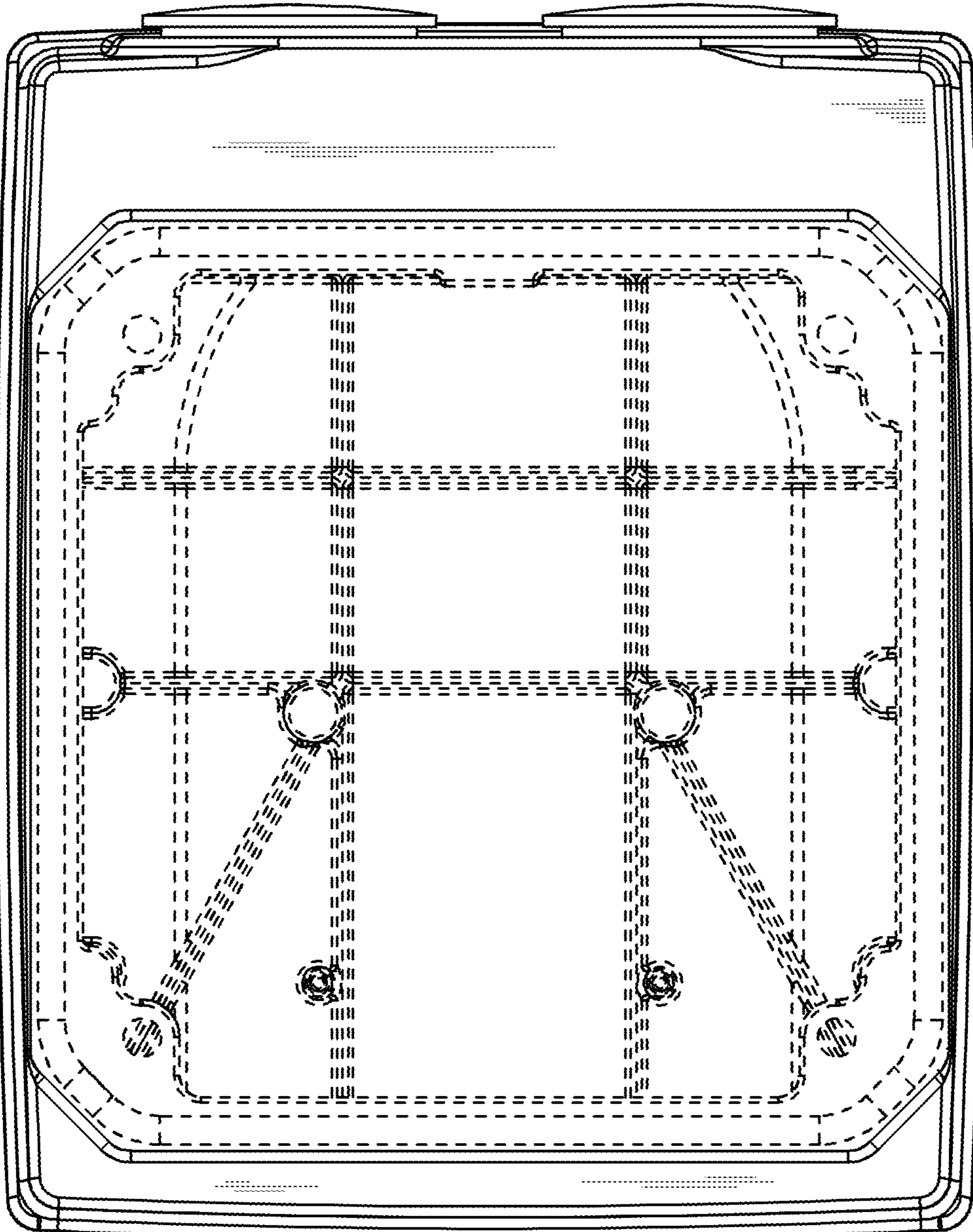


FIG. 5

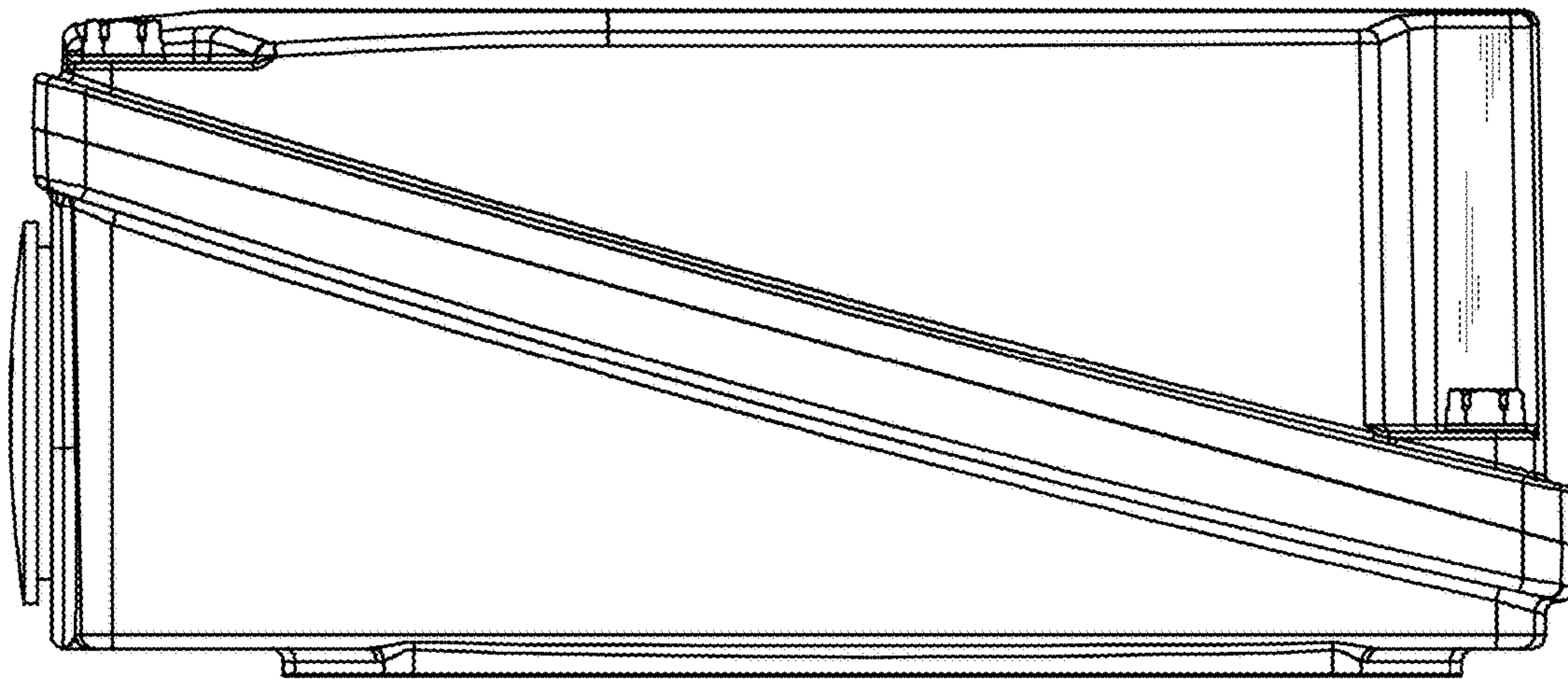


FIG. 6

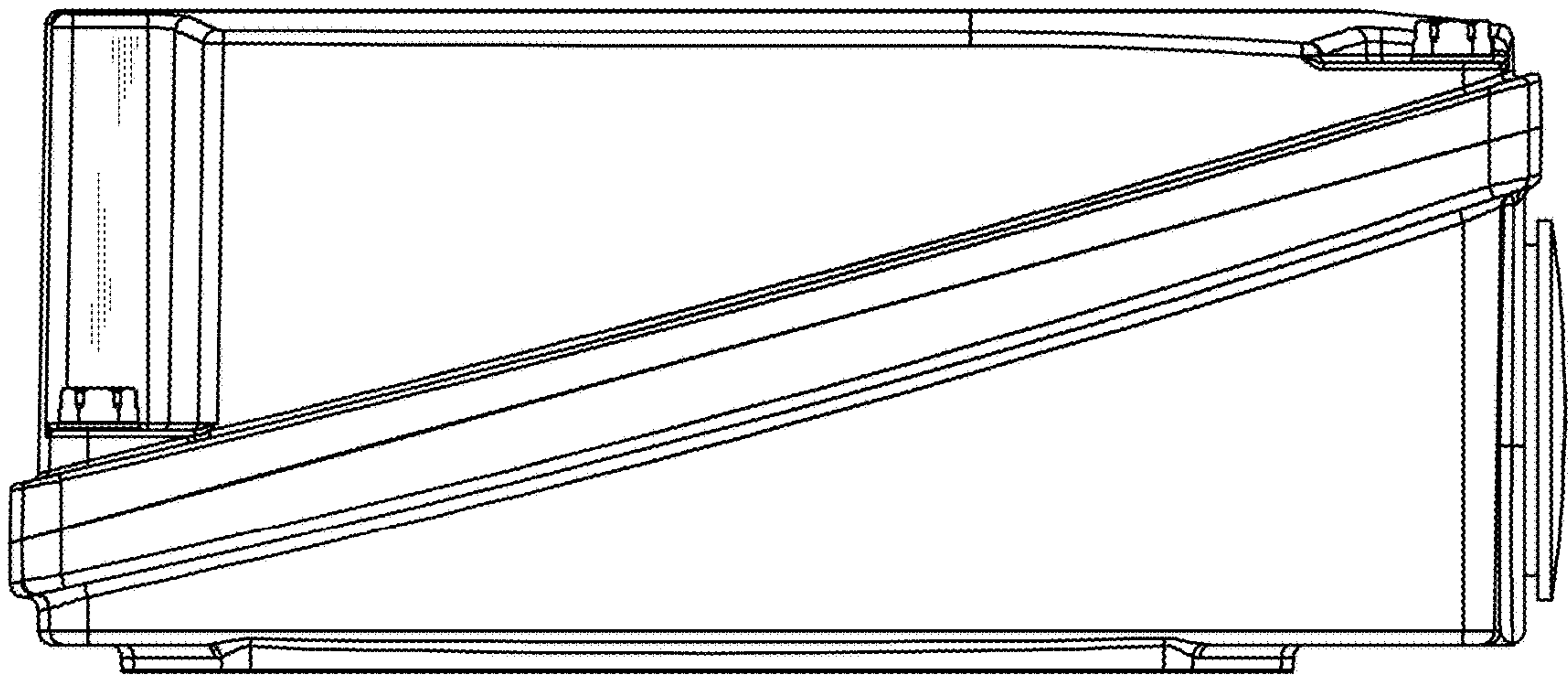


FIG. 7

