



US00D797670S

(12) **United States Design Patent** (10) **Patent No.:** **US D797,670 S**
Kuo (45) **Date of Patent:** **** Sep. 19, 2017**

(54) **BATTERY COVER FOR MOBILE COMPUTER**

D760,164 S * 6/2016 Aida D13/110
D783,527 S * 4/2017 Hao D13/110
2014/0199575 A1* 7/2014 Ryu H01M 2/1061
429/99

(71) Applicant: **Getac Technology Corporation,**
Hsinchu County (TW)

* cited by examiner

(72) Inventor: **Hsiu-Yu Kuo,** Taipei (TW)

Primary Examiner — Derrick Holland
Assistant Examiner — Jennifer O King

(73) Assignee: **GETAC TECHNOLOGY CORPORATION,** Hsinchu County (TW)

(74) *Attorney, Agent, or Firm* — Locke Lord LLP; Tim Tingkang Xia, Esq.

(**) Term: **15 Years**

(57) **CLAIM**

The ornamental design for a battery cover for mobile computer, as shown and described.

(21) Appl. No.: **29/537,266**

DESCRIPTION

(22) Filed: **Aug. 24, 2015**

(51) **LOC (10) Cl.** **13-02**

(52) **U.S. Cl.**
USPC **D13/119**

(58) **Field of Classification Search**
USPC D13/103–106, 110, 119–121, 184;
429/96–100, 163, 176

CPC Y02E 10/563; Y02E 10/56; Y02E 10/566;
Y02E 10/58; Y02E 10/541; Y02E 70/30;
Y02E 60/76; Y02E 60/126; Y02E 60/124;
Y02E 60/122; Y02E 40/72; H01M
2/0222; H01M 2/1044; H01M 2/30;
H01M 2/34; H01M 10/00; H01M
10/0525; H01M 10/06; H01M 10/345;
H01M 10/46; H01M 10/465; H01M 8/00
See application file for complete search history.

FIG. 1 is a top front right perspective view showing a first embodiment of a battery cover for mobile computer showing my new design;

FIG. 2 is a bottom front left perspective view thereof;

FIG. 3 is a front view thereof;

FIG. 4 is a left side view thereof;

FIG. 5 is a right side view thereof;

FIG. 6 is a top view thereof;

FIG. 7 is a bottom view thereof; and,

FIG. 8 is a top front right perspective view thereof, shown in use.

FIG. 9 is a top front right rear perspective view showing a second embodiment of a battery cover for mobile computer showing my new design;

FIG. 10 is a bottom front left perspective view thereof;

FIG. 11 is a front view thereof;

FIG. 12 is a left side view thereof;

FIG. 13 is a right side view thereof;

FIG. 14 is a top view thereof;

FIG. 15 is a bottom view thereof; and,

FIG. 16 is a top front right perspective view thereof, shown in use.

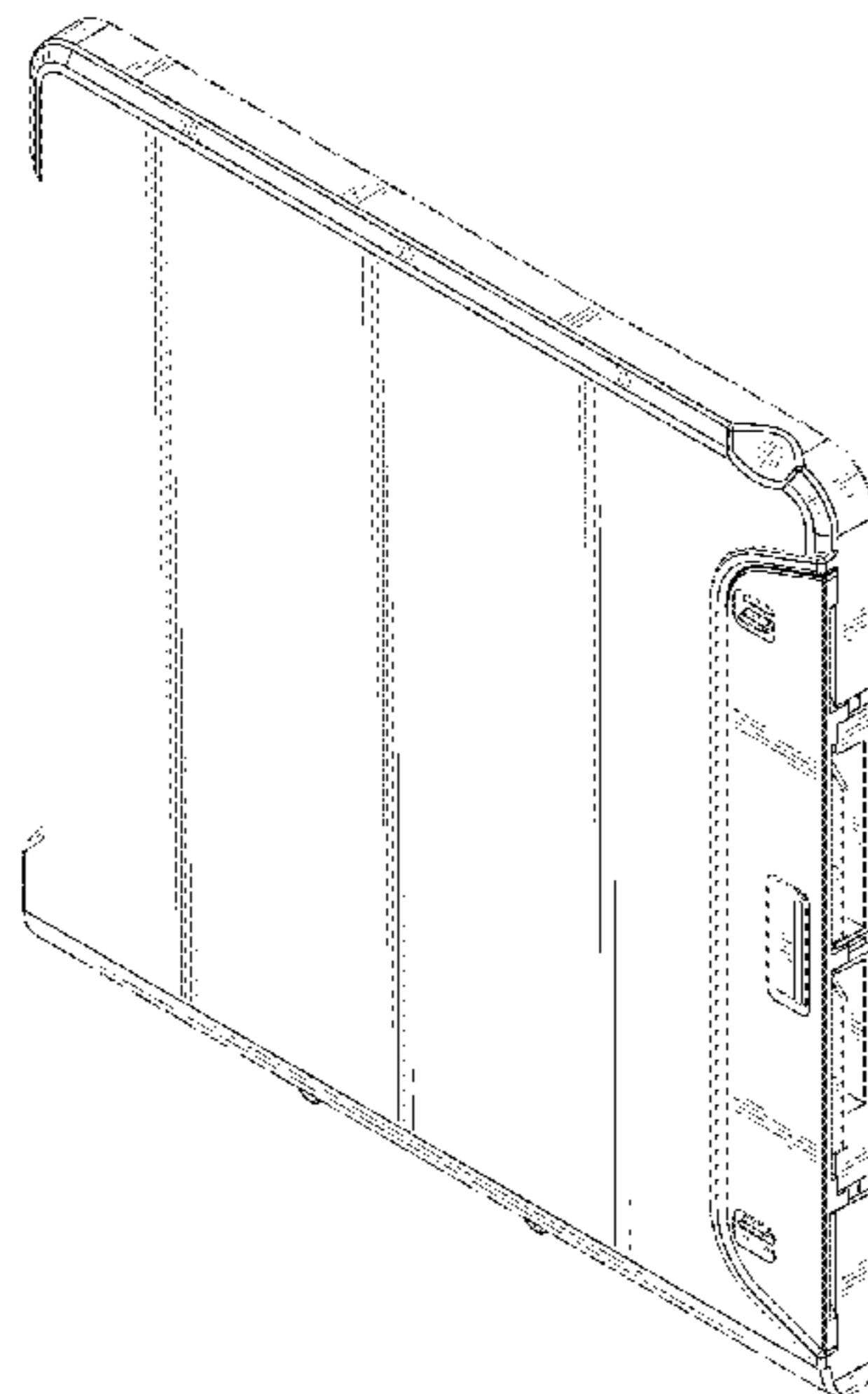
The broken lines shown represent unclaimed subject matter and form no part of the claimed design.

(56) **References Cited**

U.S. PATENT DOCUMENTS

D454,544 S * 3/2002 Takach, Jr. D13/152
D684,529 S * 6/2013 Moon D13/103
D689,018 S * 9/2013 Honda D13/103
D689,019 S * 9/2013 Sato D13/103
D700,135 S * 2/2014 Sato D13/103
D724,537 S * 3/2015 Moore D13/119
D758,961 S * 6/2016 Aoyagi D13/103

1 Claim, 12 Drawing Sheets



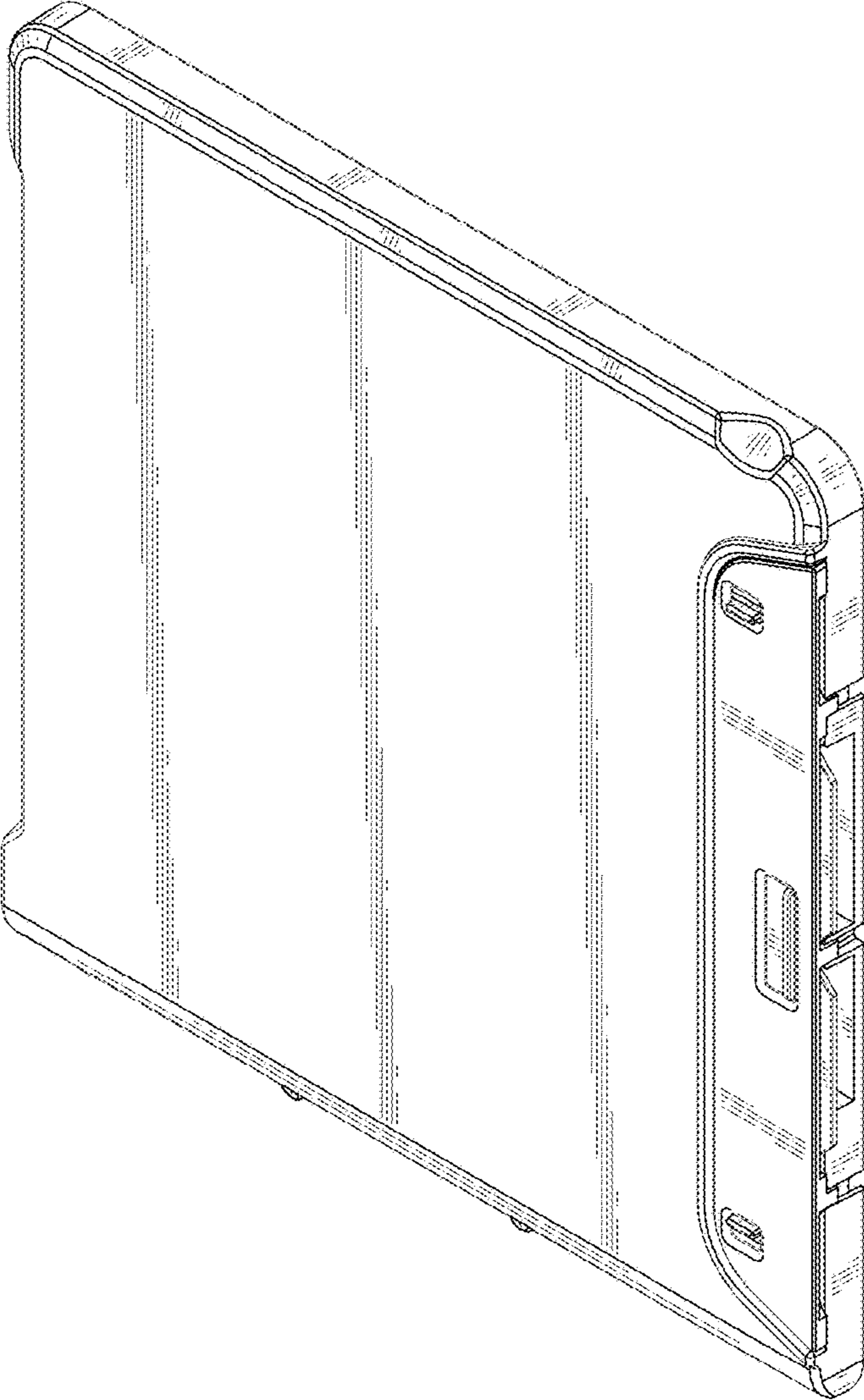


FIG. 1

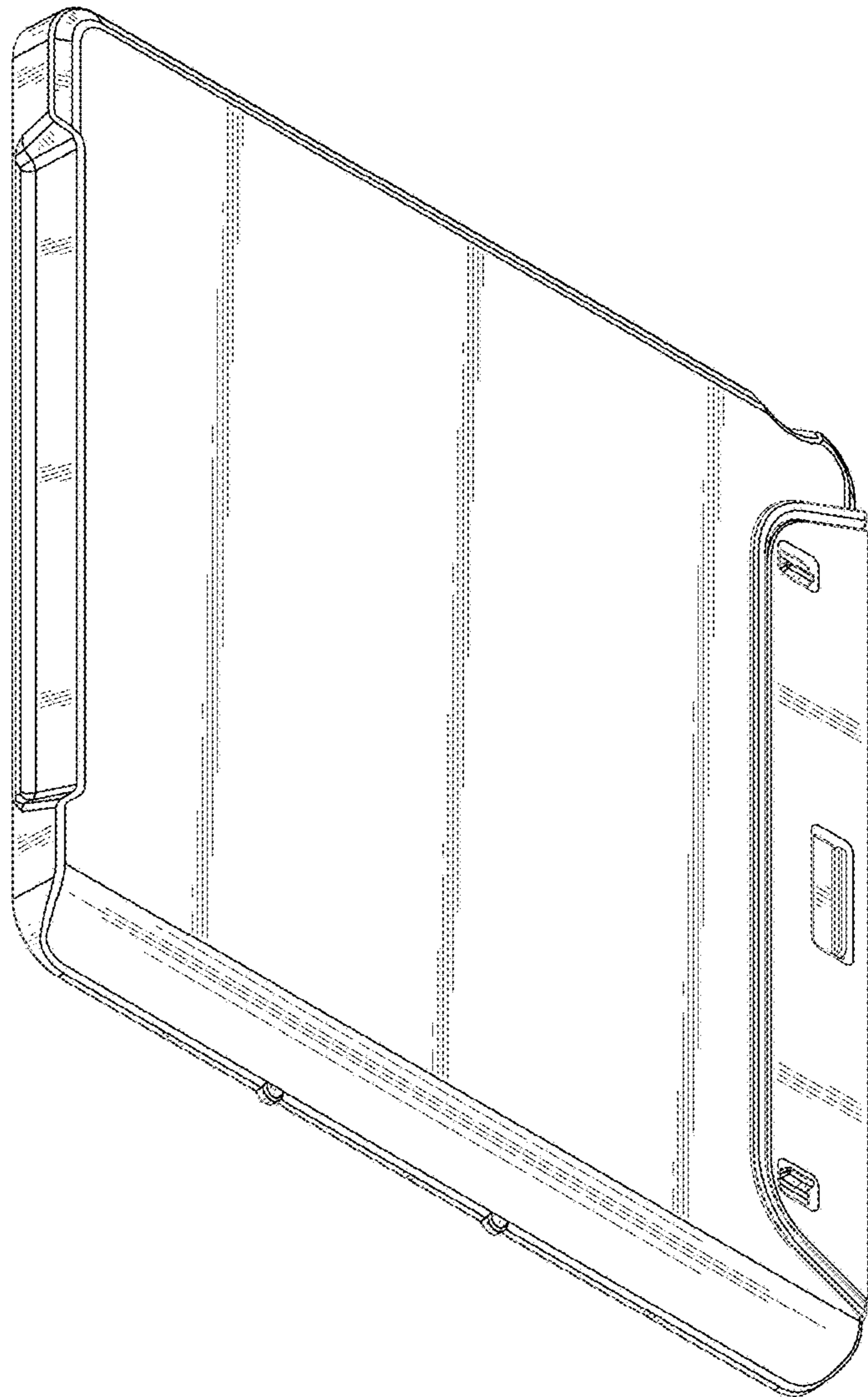


FIG. 2

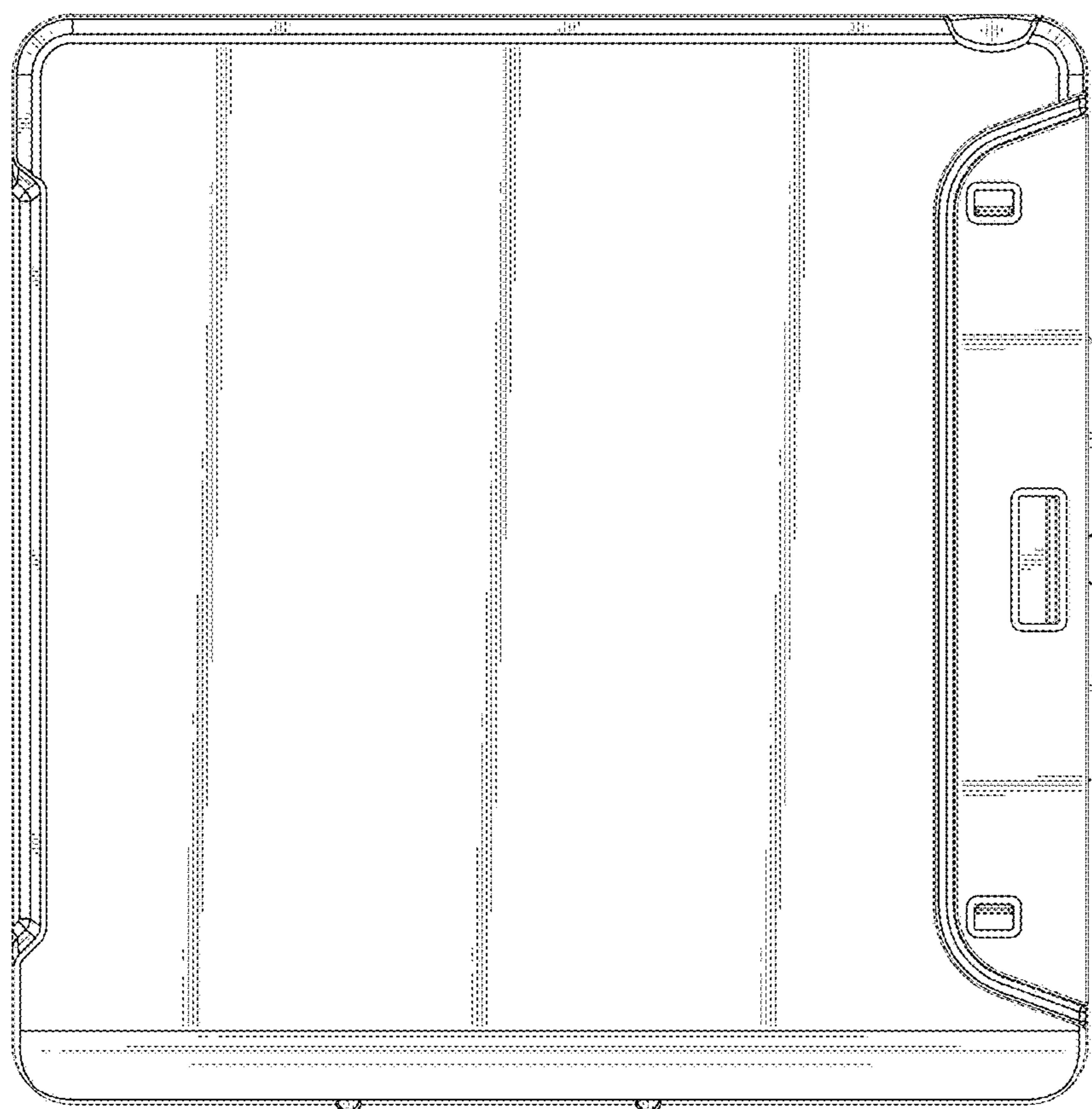


FIG. 3

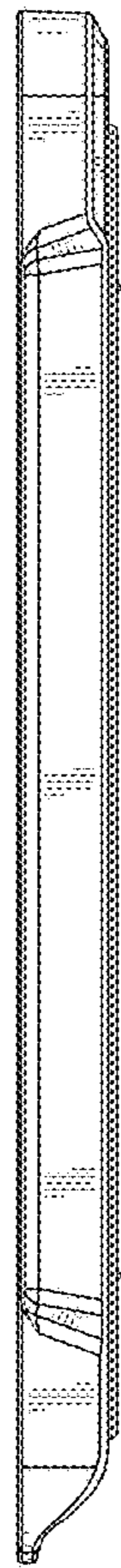


FIG. 4

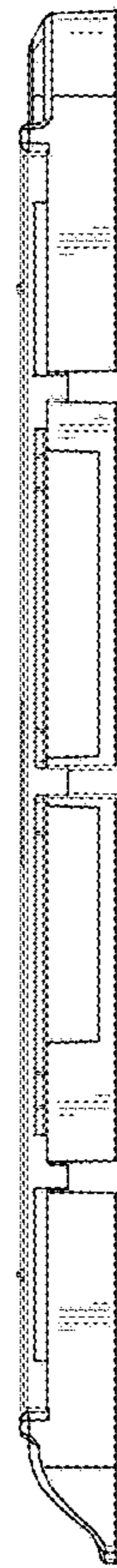


FIG. 5

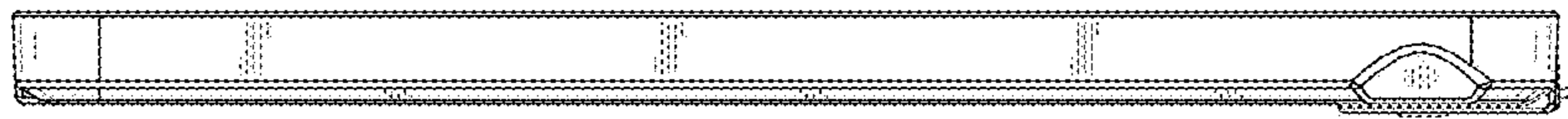


FIG. 6

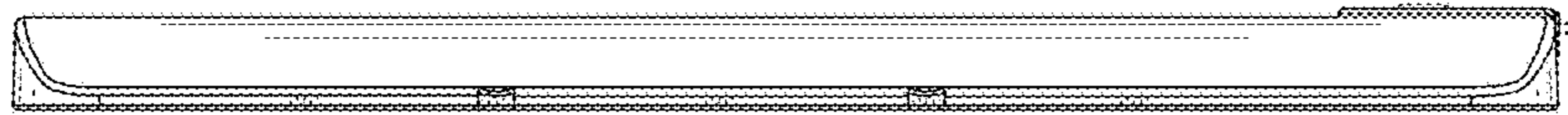


FIG. 7

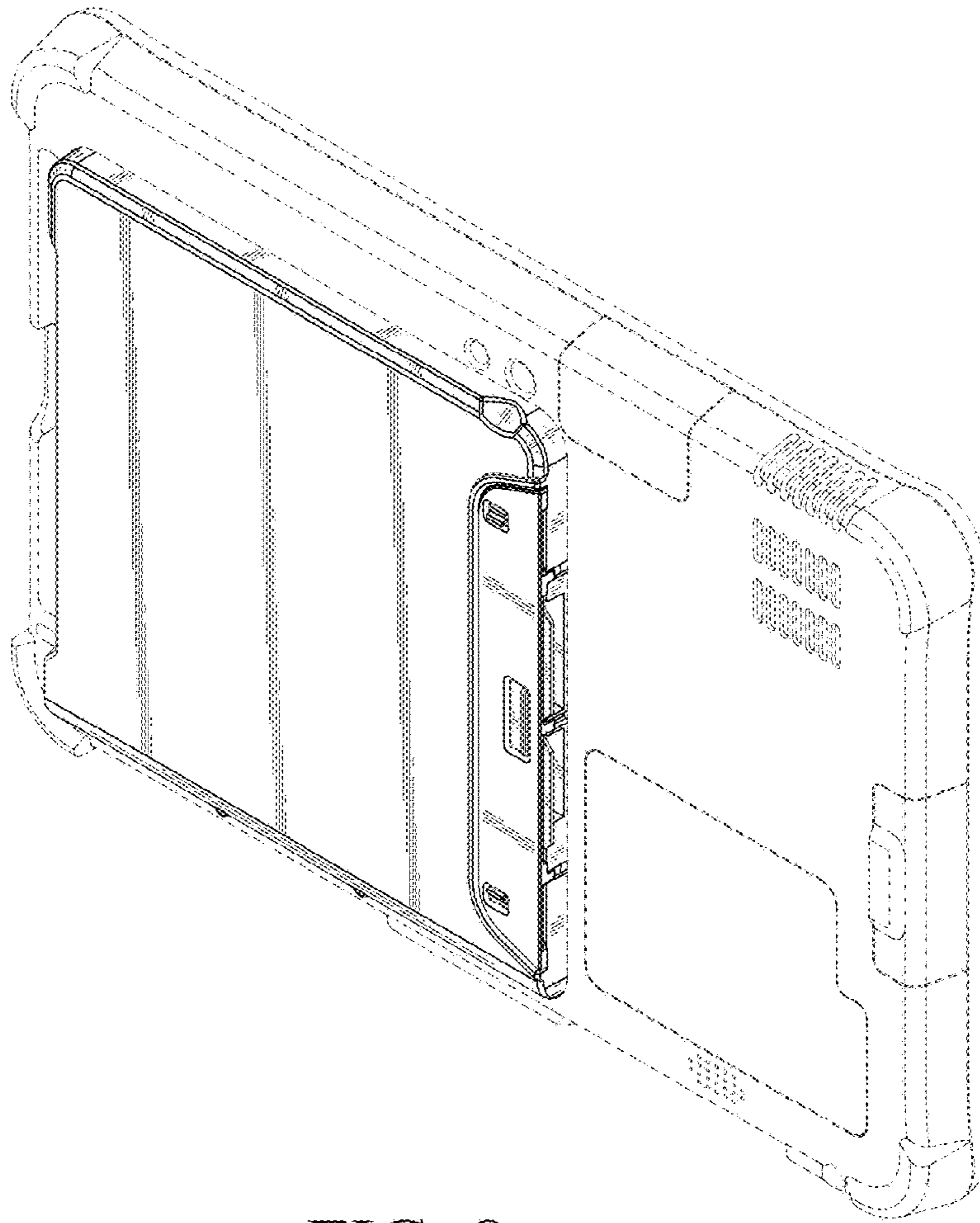


FIG. 8

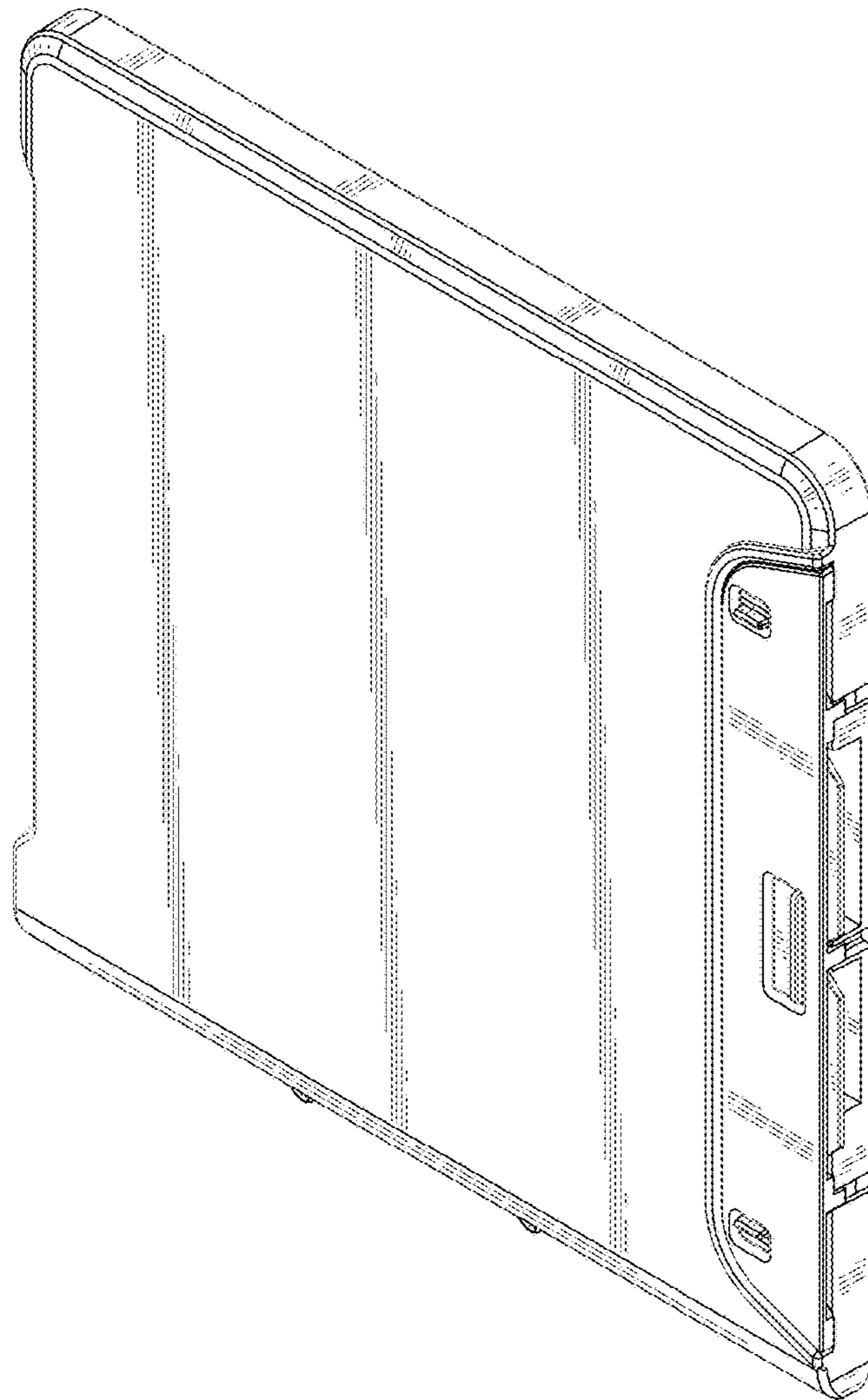


FIG. 9

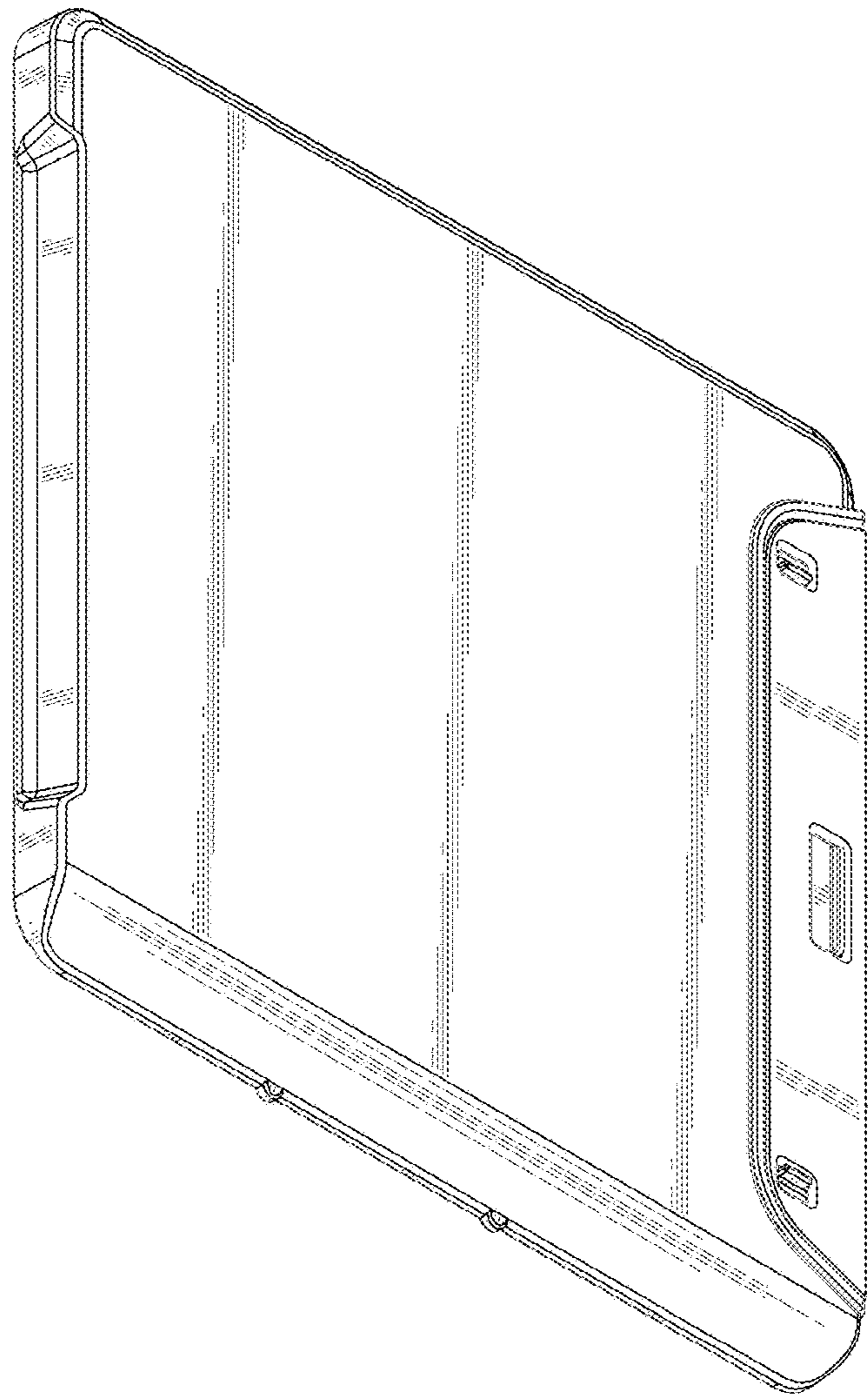


FIG. 10

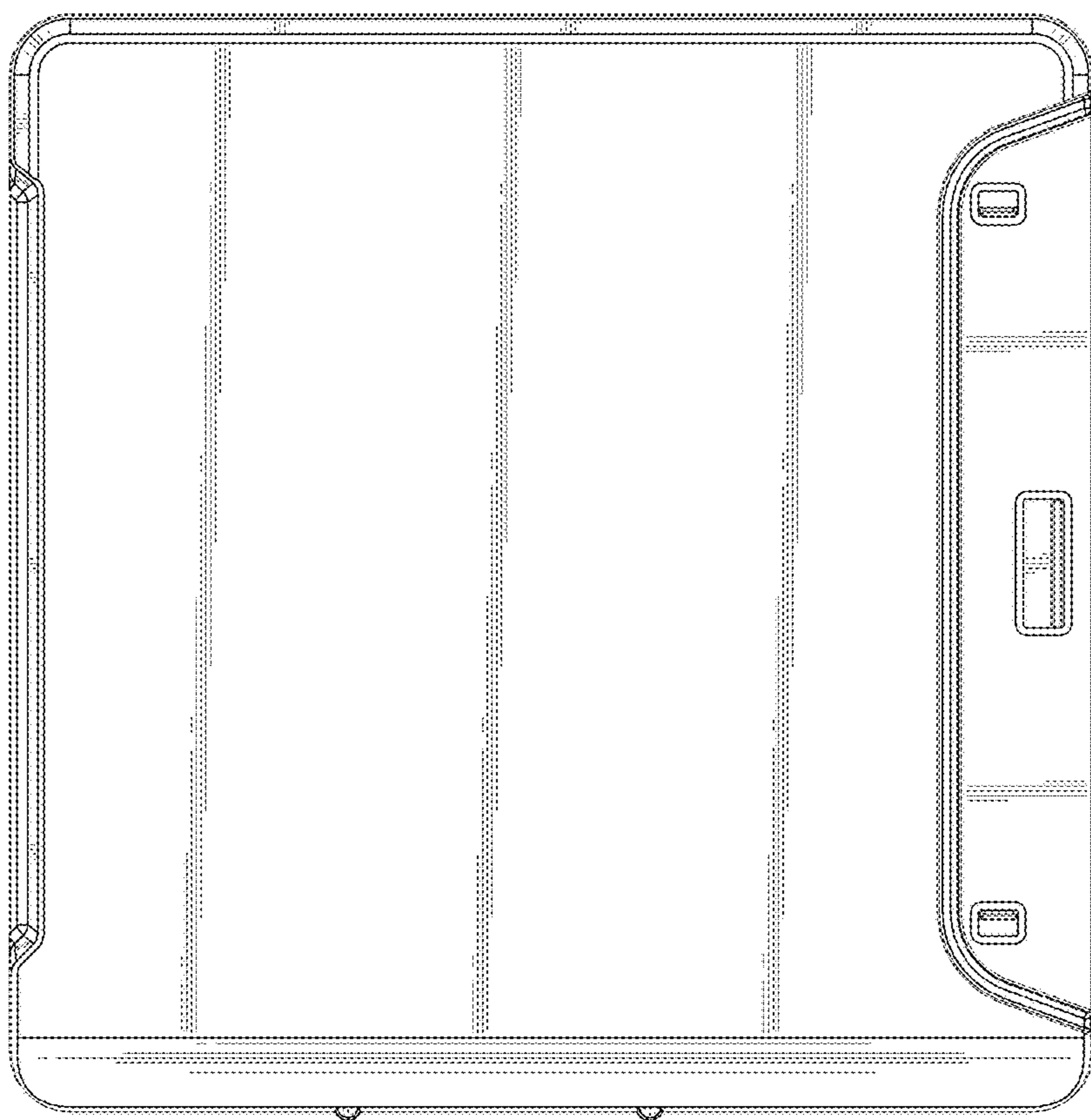


FIG. 11

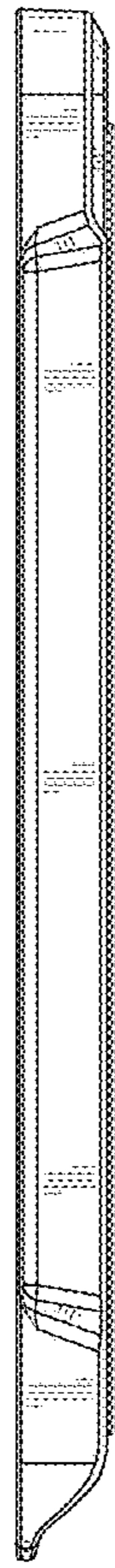


FIG. 12



FIG. 13

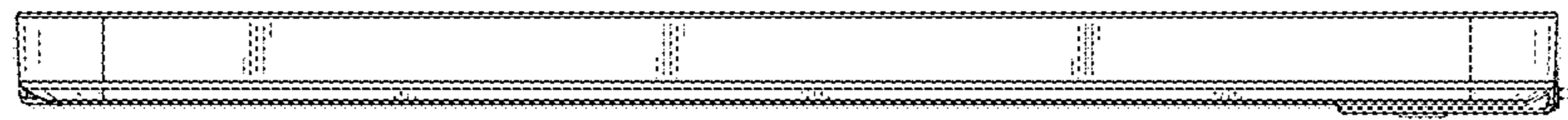


FIG. 14

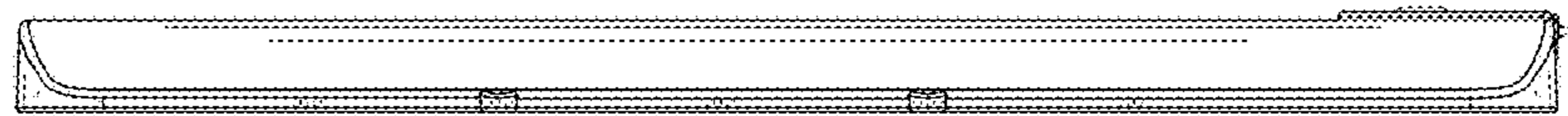


FIG. 15

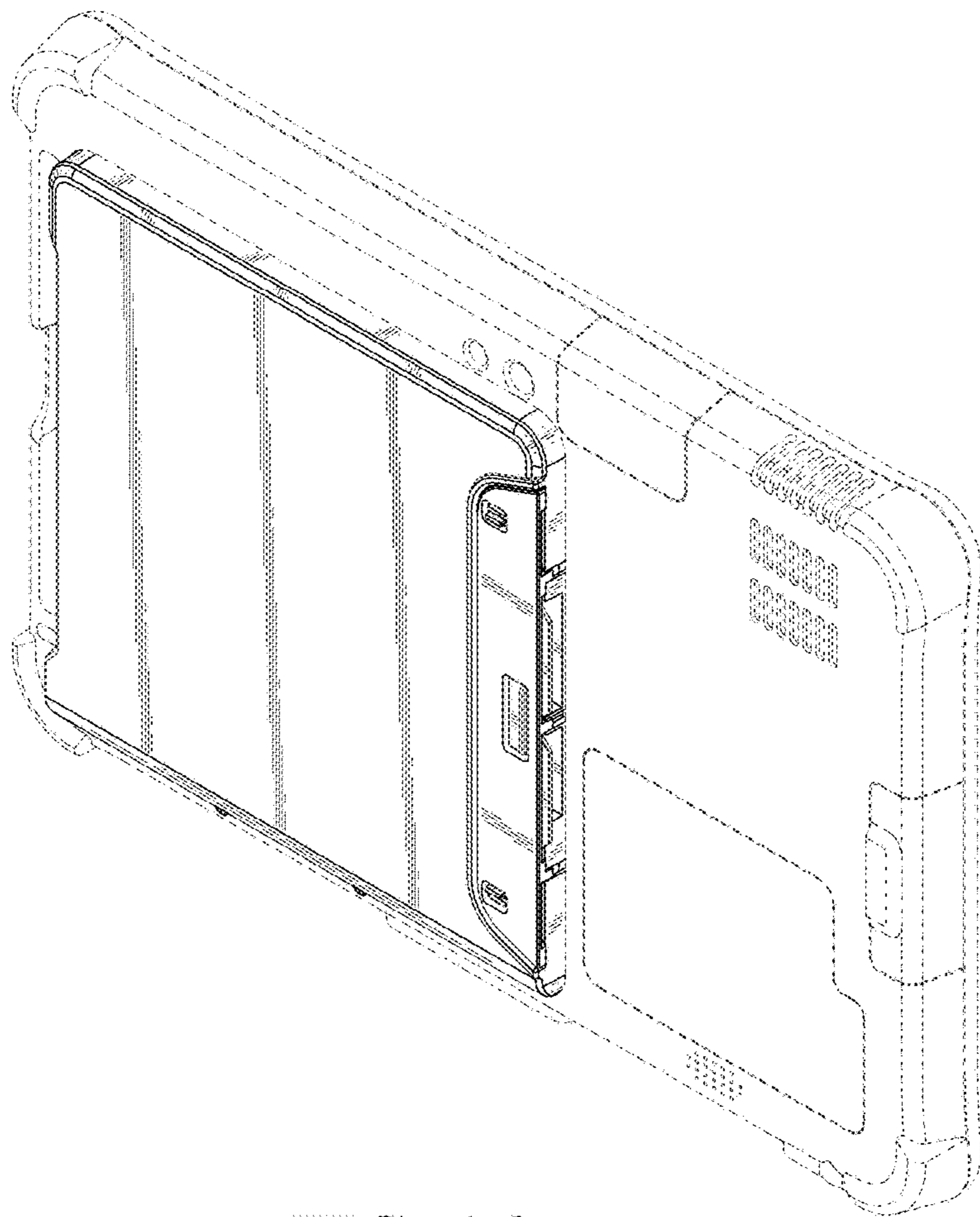


FIG. 16