



US00D797664S

(12) **United States Design Patent** (10) **Patent No.:** **US D797,664 S**  
**Waring** (45) **Date of Patent:** **\*\* Sep. 19, 2017**

(54) **MOUNTED CHARGING STATION**  
 (71) Applicant: **John P. Waring**, El Paso, TX (US)  
 (72) Inventor: **John P. Waring**, El Paso, TX (US)  
 (\*\*) Term: **15 Years**  
 (21) Appl. No.: **29/552,960**  
 (22) Filed: **Jan. 27, 2016**  
 (51) **LOC (10) Cl.** ..... **13-02**  
 (52) **U.S. Cl.**  
 USPC ..... **D13/107**  
 (58) **Field of Classification Search**  
 USPC ..... D13/107–110, 118–119, 184; D14/251,  
 D14/253, 432, 434, 447  
 CPC ..... Y02E 60/12; Y02T 90/14; Y02T 90/122;  
 Y02T 90/128; Y02T 90/163; H02J 7/025;  
 H02J 7/0042; H02J 7/0044; H02J 7/0045;  
 H02J 7/0003; H01F 38/14; H01R  
 13/6675; H01M 2/1022; H01M 2/1055;  
 H01M 10/44; H01M 10/46; H01M  
 10/425; B60L 11/182  
 See application file for complete search history.

(56) **References Cited**  
 U.S. PATENT DOCUMENTS  
 D631,008 S \* 1/2011 Kuroda ..... D13/108  
 D637,194 S \* 5/2011 Kuroda ..... D14/447  
 D685,797 S \* 7/2013 Fahrendorff ..... D14/434

D722,963 S \* 2/2015 Au-Yeung ..... D13/108  
 D723,460 S \* 3/2015 Gengler ..... D13/108  
 D739,833 S \* 9/2015 Hanazeder ..... D13/184  
 D761,799 S \* 7/2016 Miniard ..... D14/447  
 D772,185 S \* 11/2016 Moninski ..... D13/184  
 2007/0152633 A1\* 7/2007 Lee ..... G06F 1/1632  
 320/114

\* cited by examiner

*Primary Examiner* — Rosemary K Tarcza  
*Assistant Examiner* — Christy Nemeth  
 (74) *Attorney, Agent, or Firm* — Dunlap Bennett &  
 Ludwig PLLC

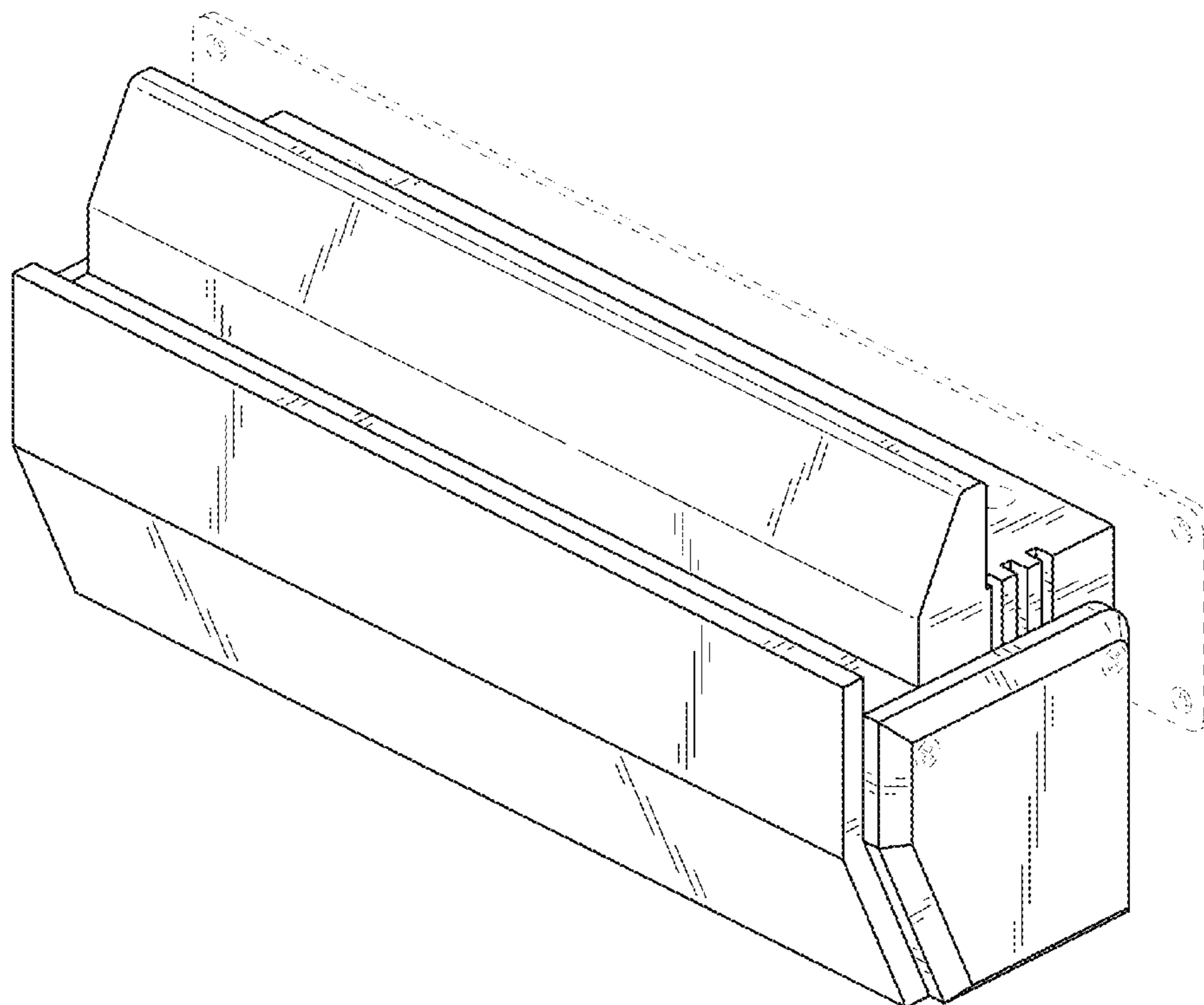
(57) **CLAIM**

The ornamental design for a mounted charging station, as shown and described.

**DESCRIPTION**

FIG. 1 is a front perspective view of a mounted charging station;  
 FIG. 2 is a front elevation view thereof;  
 FIG. 3 is a rear elevation view thereof;  
 FIG. 4 is a left side elevation view thereof, the right side elevation view being a mirror image thereof;  
 FIG. 5 is a top plan view thereof; and,  
 FIG. 6 is a bottom plan view thereof.  
 The broken lines shown in the drawings depict portions of the mounted charging station that form no part of the claimed design.

**1 Claim, 4 Drawing Sheets**



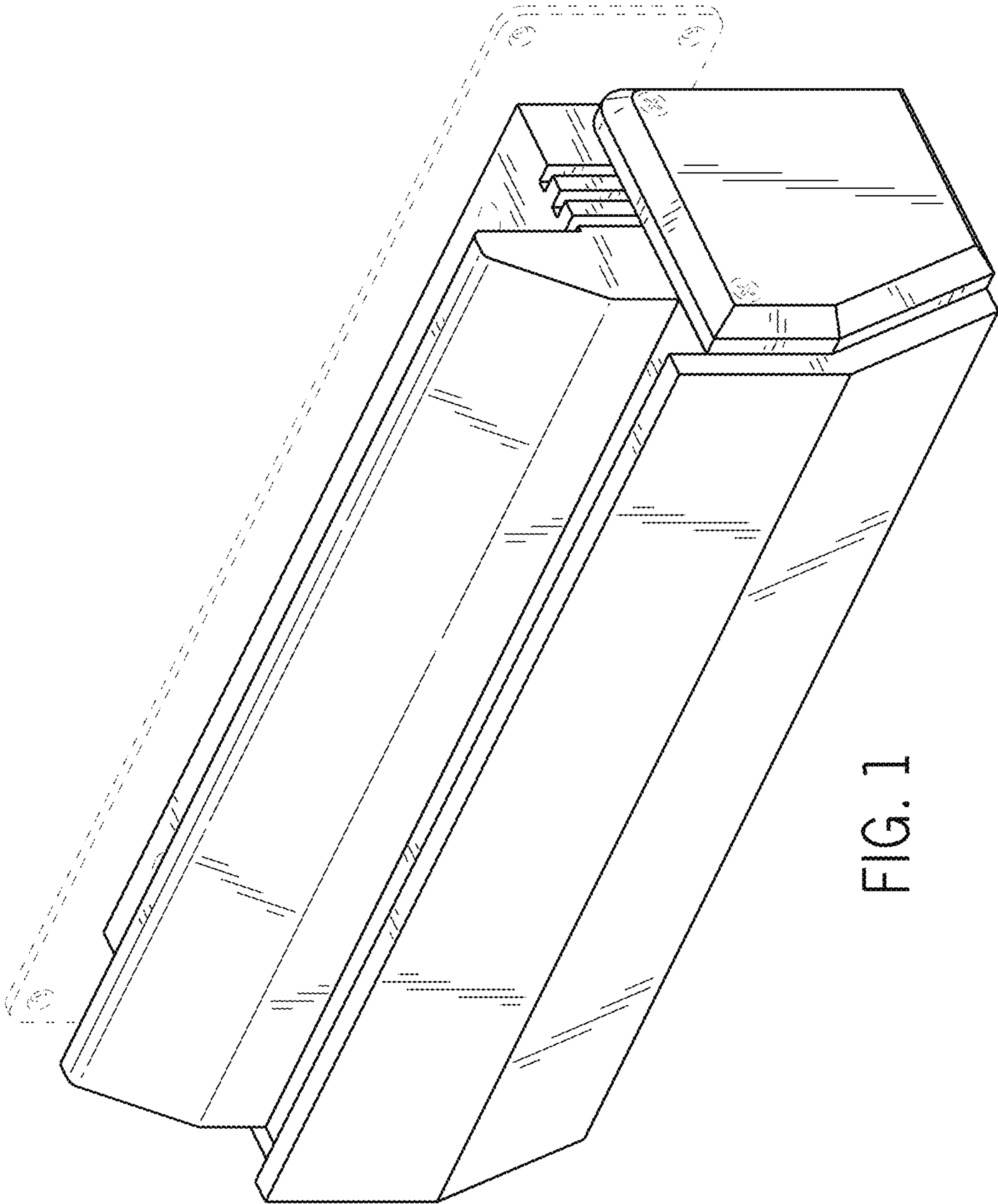


FIG. 1

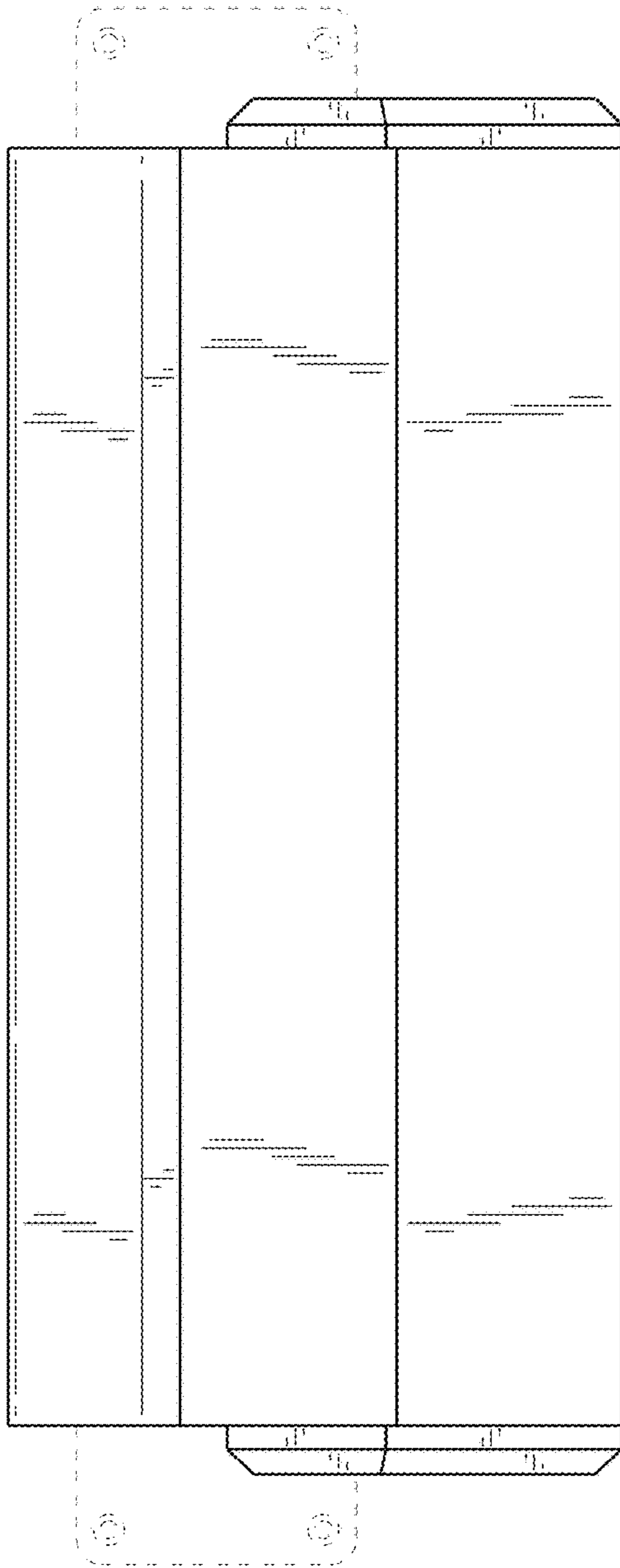


FIG. 2

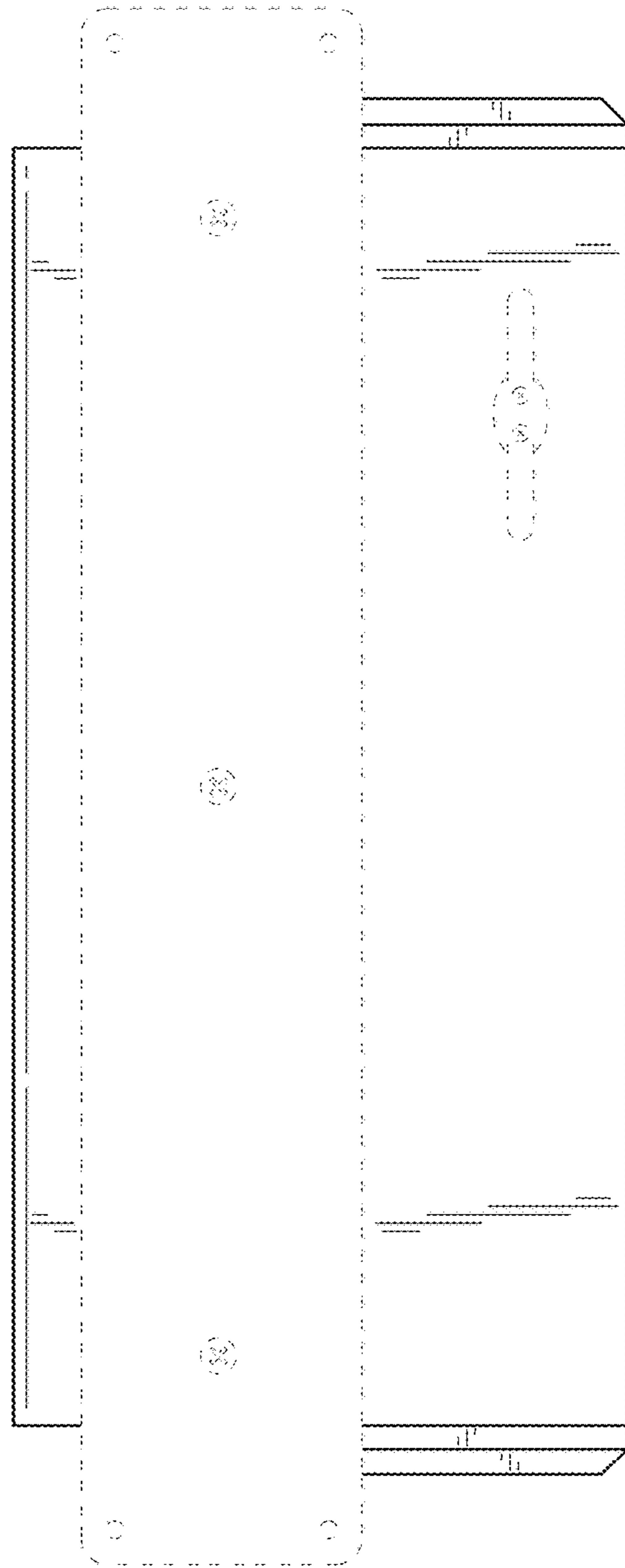


FIG. 3

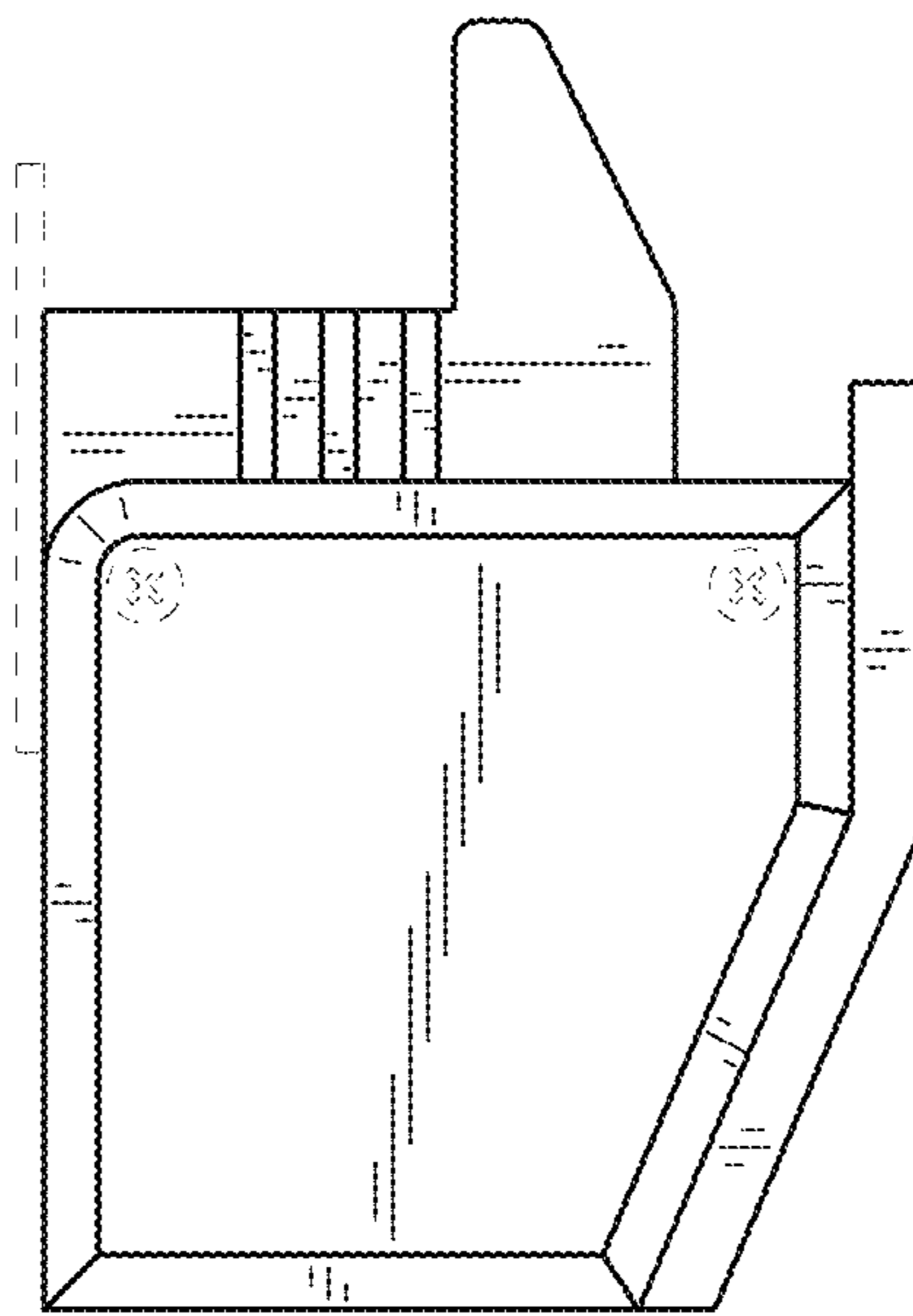


FIG. 4

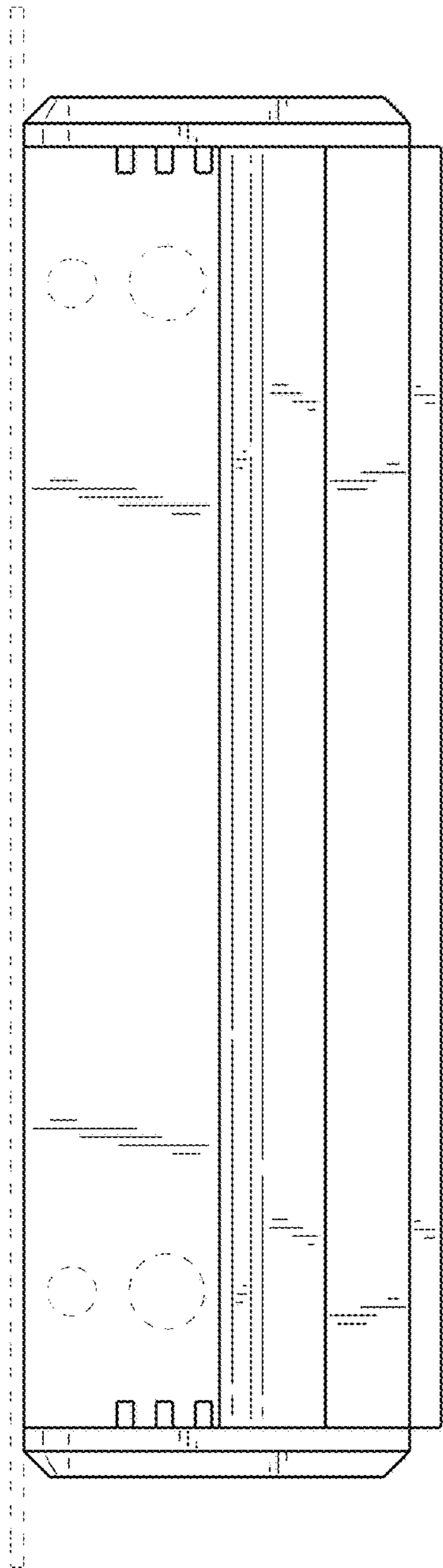


FIG. 5

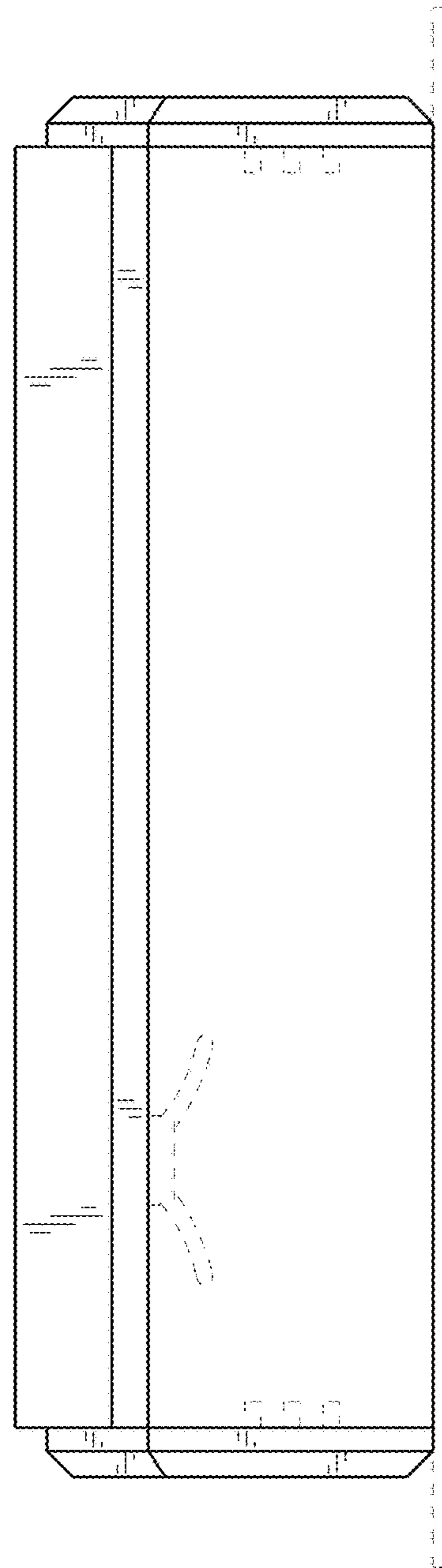


FIG. 6