

US00D797662S

(12) **United States Design Patent**
Constin

(10) **Patent No.:** **US D797,662 S**

(45) **Date of Patent:** **** Sep. 19, 2017**

(54) **RECHARGEABLE BATTERY**

(71) Applicant: **GREENPACK GMBH**, Berlin (DE)

(72) Inventor: **Hans-Peter Constin**, Berlin (DE)

(**) Term: **15 Years**

(21) Appl. No.: **35/500,626**

(22) Filed: **Nov. 25, 2015**

(80) **Hague Agreement Data**

Int. Filing Date: **Nov. 25, 2015**

Int. Reg. No.: **DM/089320**

Int. Reg. Date: **Nov. 25, 2015**

Int. Reg. Pub. Date: **Feb. 19, 2016**

(51) **LOC (10) Cl.** **13-02**

(52) **U.S. Cl.**

USPC **D13/103**

(58) **Field of Classification Search**

USPC D14/356, 432, 251, 253, 434; D9/414,
D9/424, 425; D13/103-106;
320/107-115, 135, 138, 140, 103-105

CPC H02J 7/00; H01M 10/42; H01M 2/06

See application file for complete search history.

(56) **References Cited**

U.S. PATENT DOCUMENTS

D403,661 S *	1/1999	Mariani	D13/106
D663,720 S *	7/2012	Constin	D14/217
D695,680 S *	12/2013	Workman	D13/103
D758,960 S *	6/2016	Johansson	D13/103
D762,165 S *	7/2016	Rowe	D13/103
D772,806 S *	11/2016	Ritterling	B25F 5/02
				D13/103

D776,523 S * 1/2017 Sabbag D3/276

* cited by examiner

Primary Examiner — Michael A Pratt

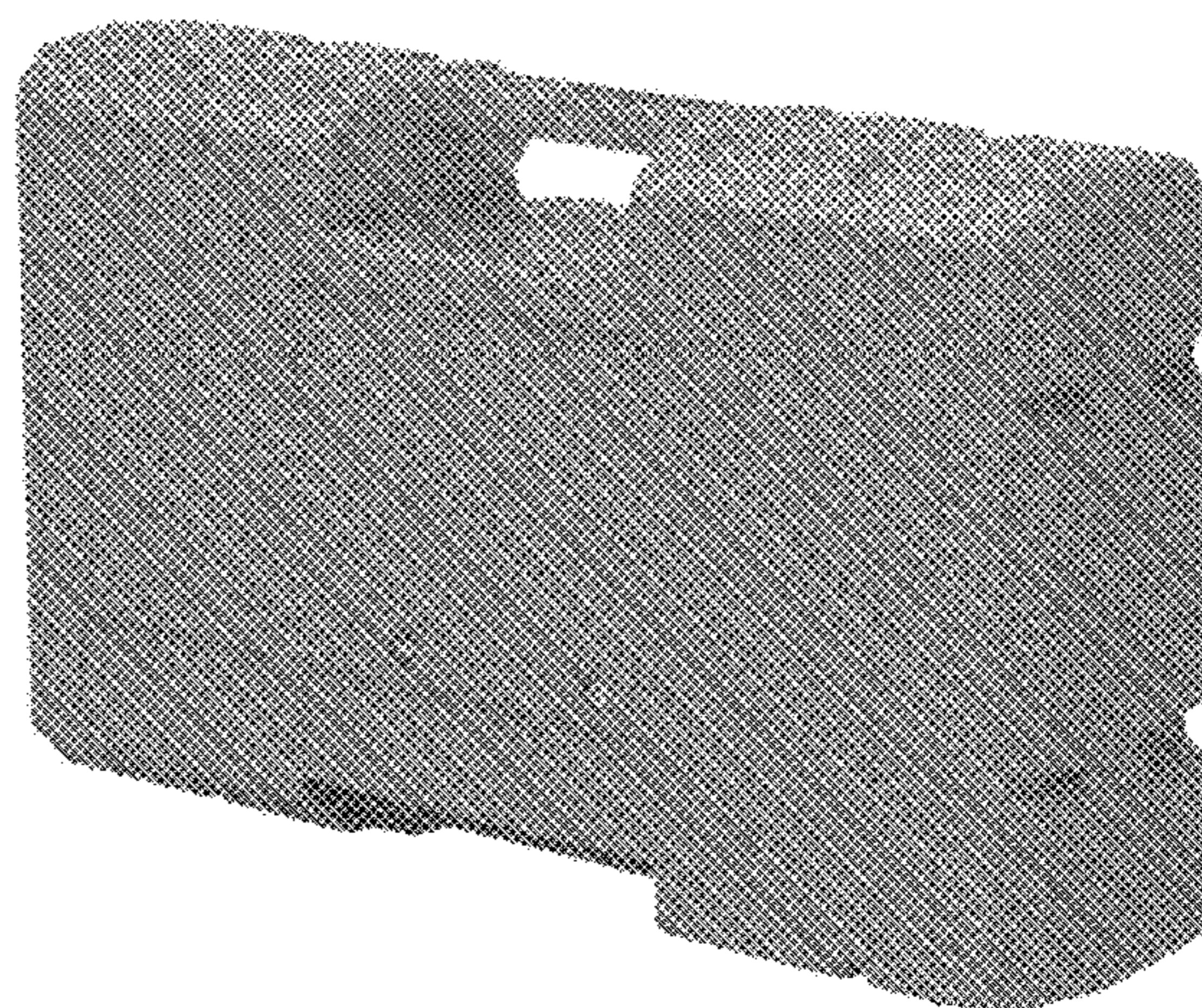
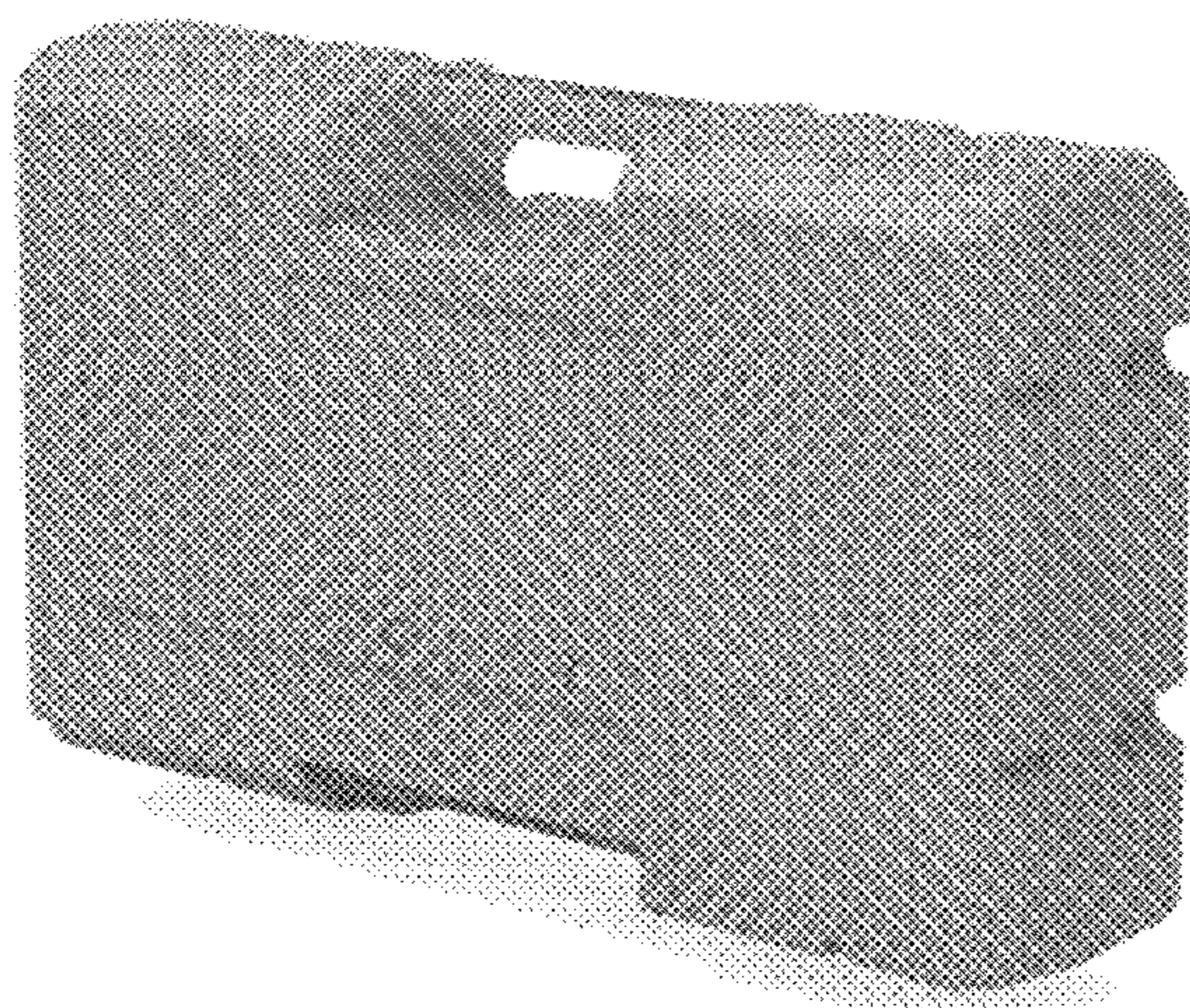
(57) **CLAIM**

The ornamental design for rechargeable battery, as shown and described.

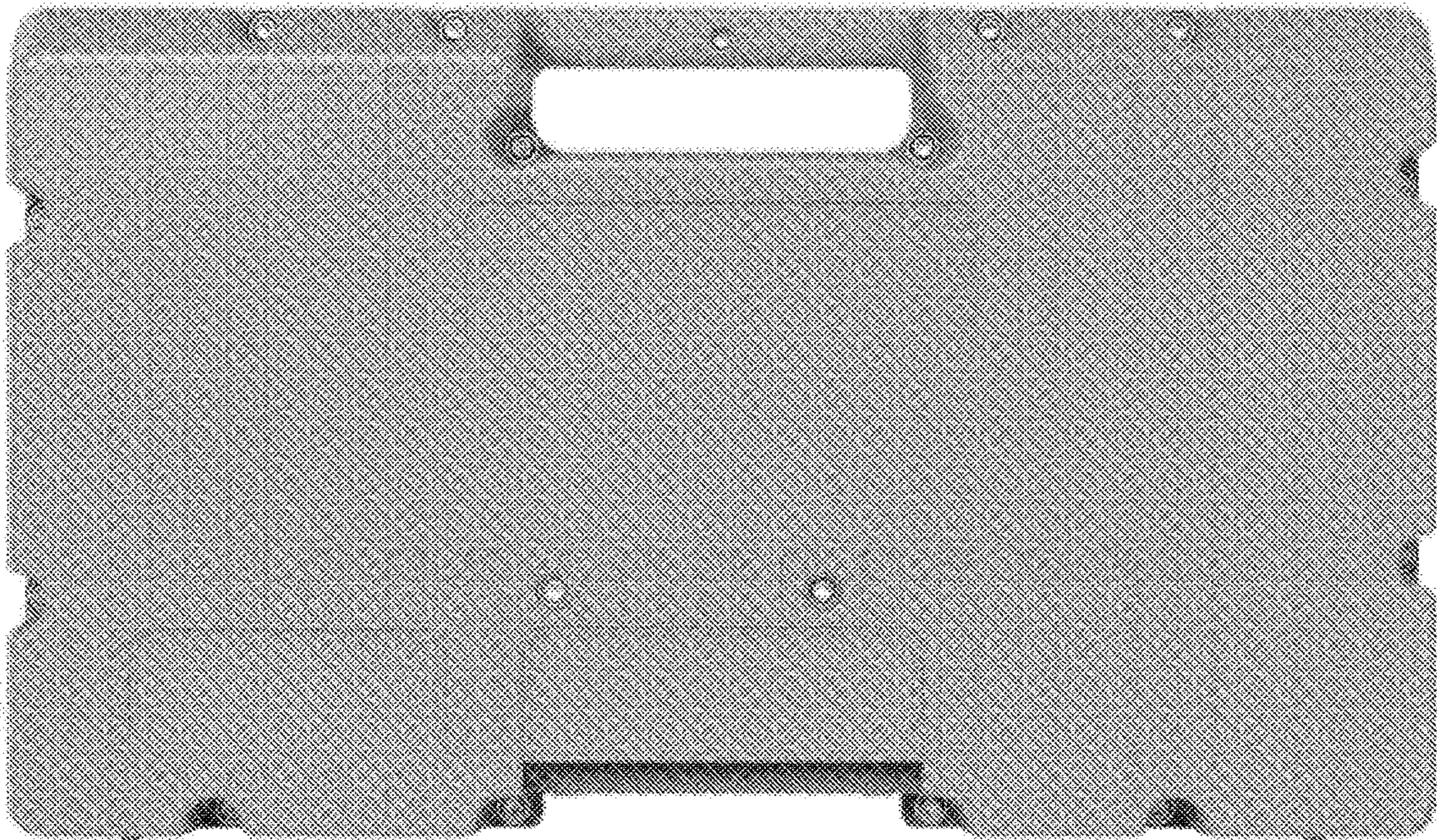
DESCRIPTION

- 1. Rechargeable battery
- 2.-3. Rechargeable battery
- 1.1: Back
- 1.2: Left
- 1.3: Top
- 1.4: Perspective
- 1.5: Right
- 1.6: Bottom
- 1.7: Front
- 2.1: Back
- 2.2: Left
- 2.3: Top
- 2.4: Perspective
- 2.5: Right
- 2.6: Bottom
- 2.7 Front
- 3.1: Back
- 3.2: Left
- 3.3: Top
- 3.4: Perspective
- 3.5: Right
- 3.6: Bottom
- 3.7: Front

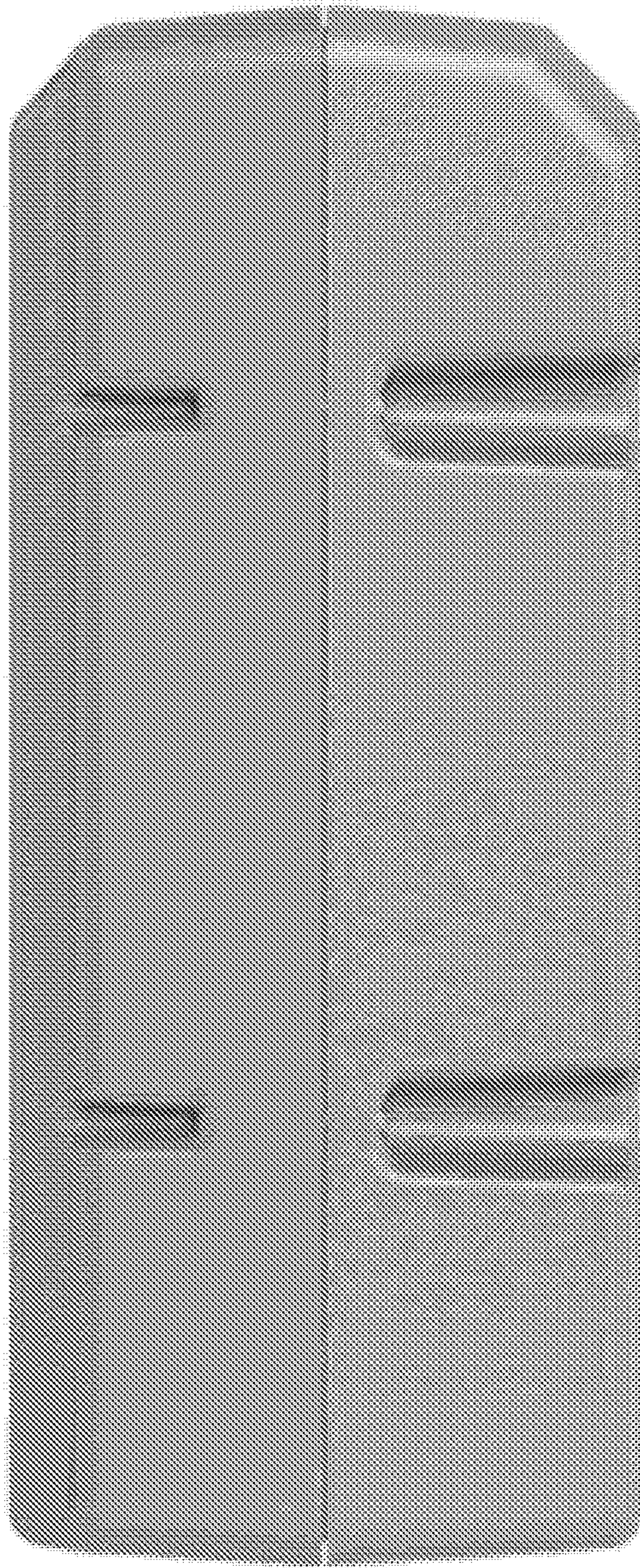
1 Claim, 21 Drawing Sheets



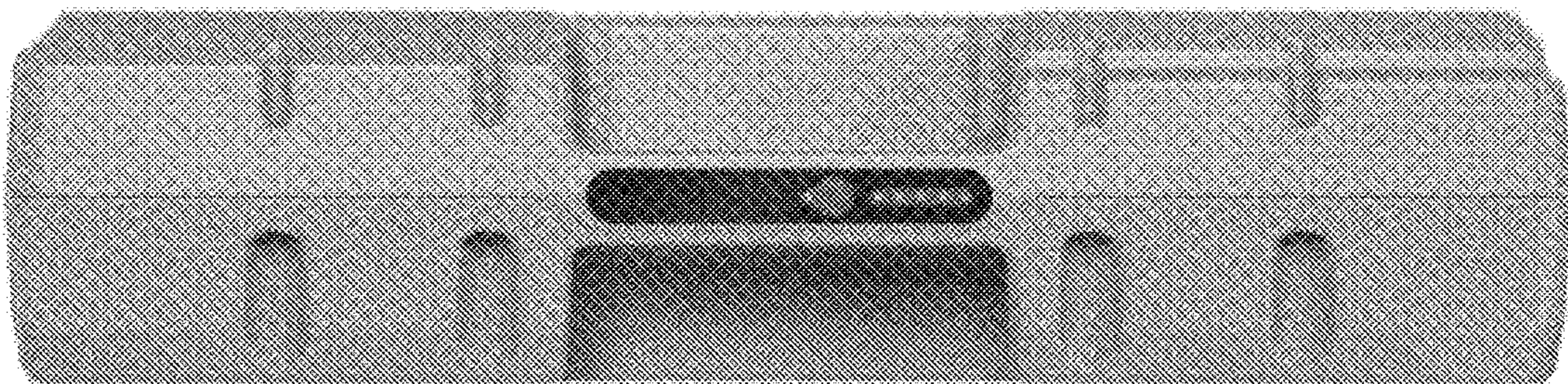
1.1



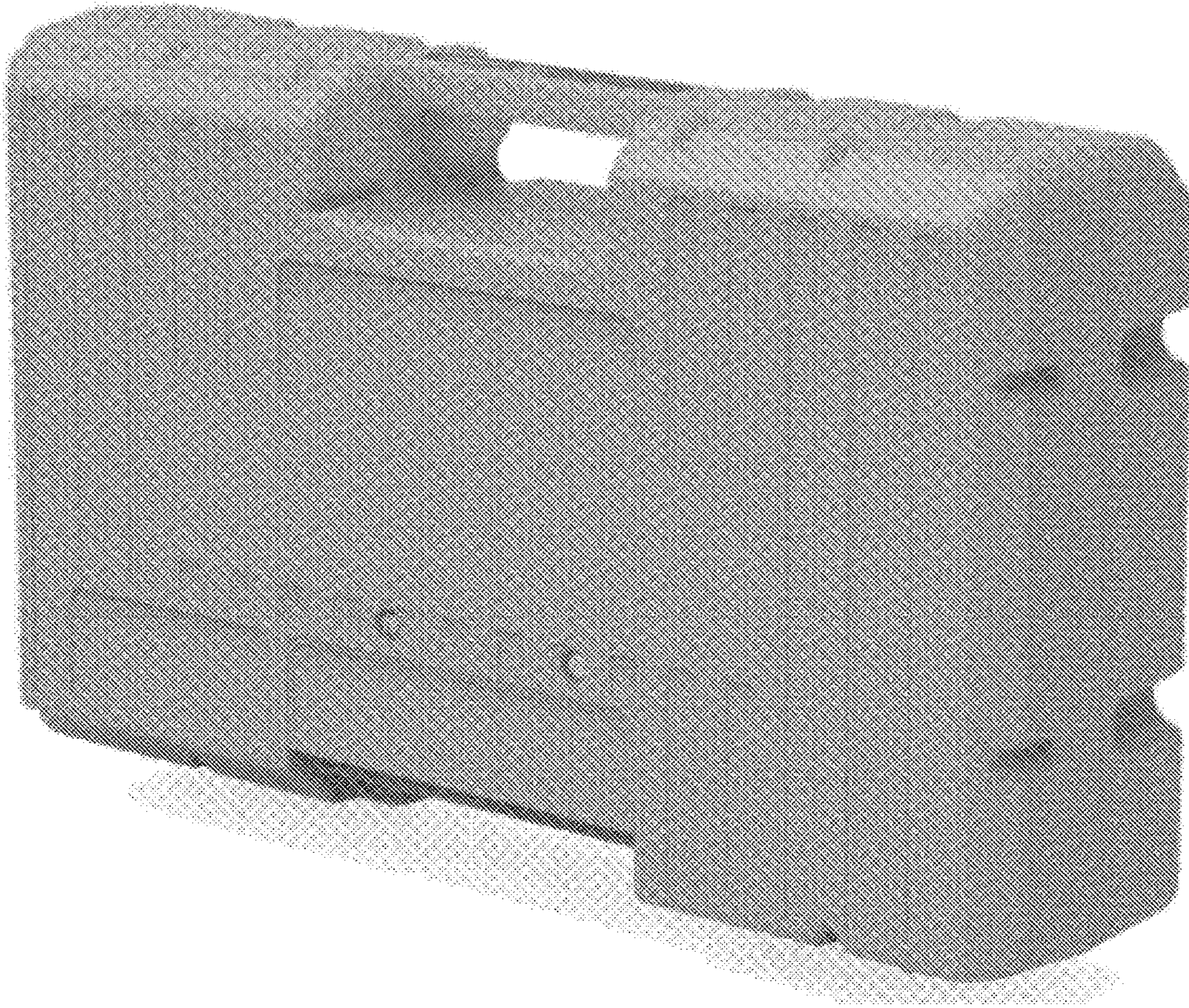
1.2



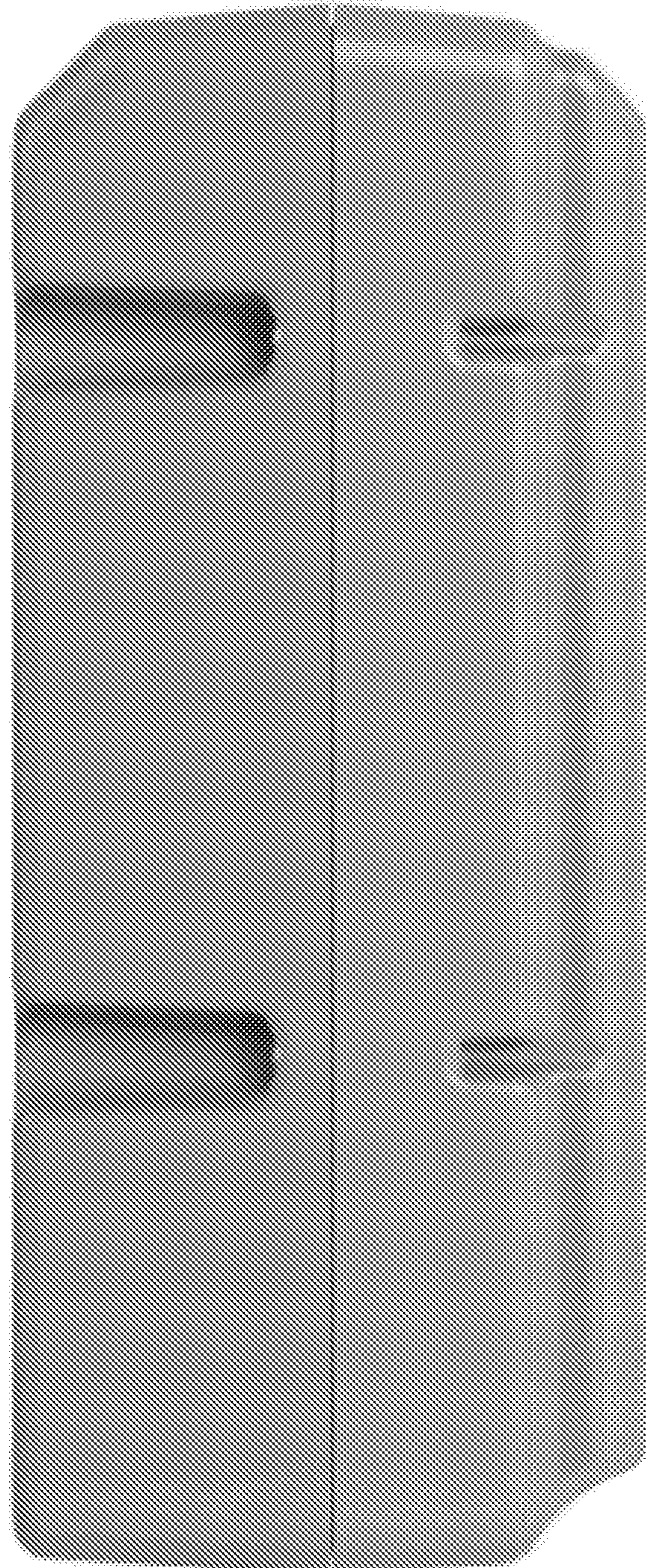
1.3



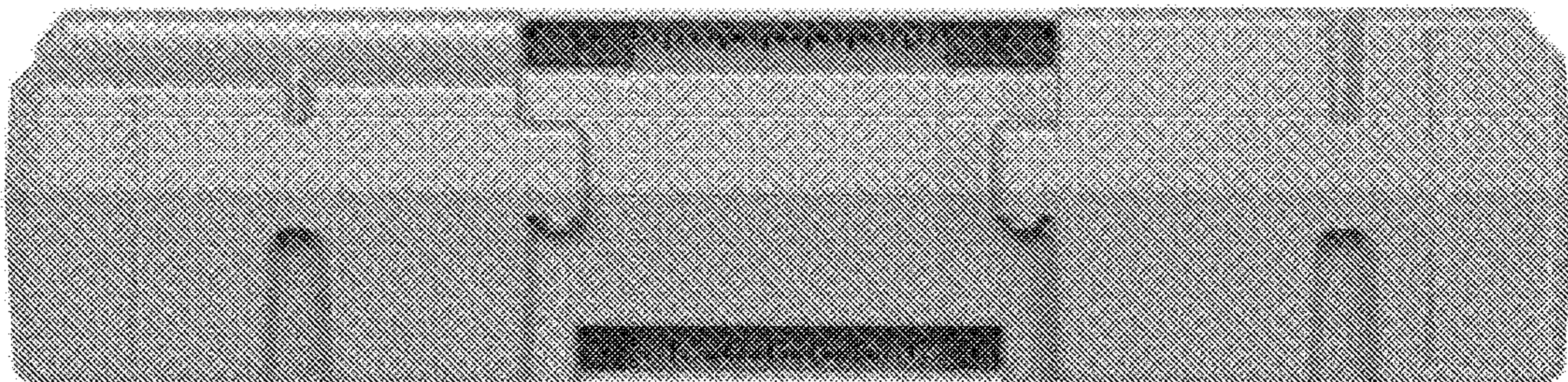
1.4



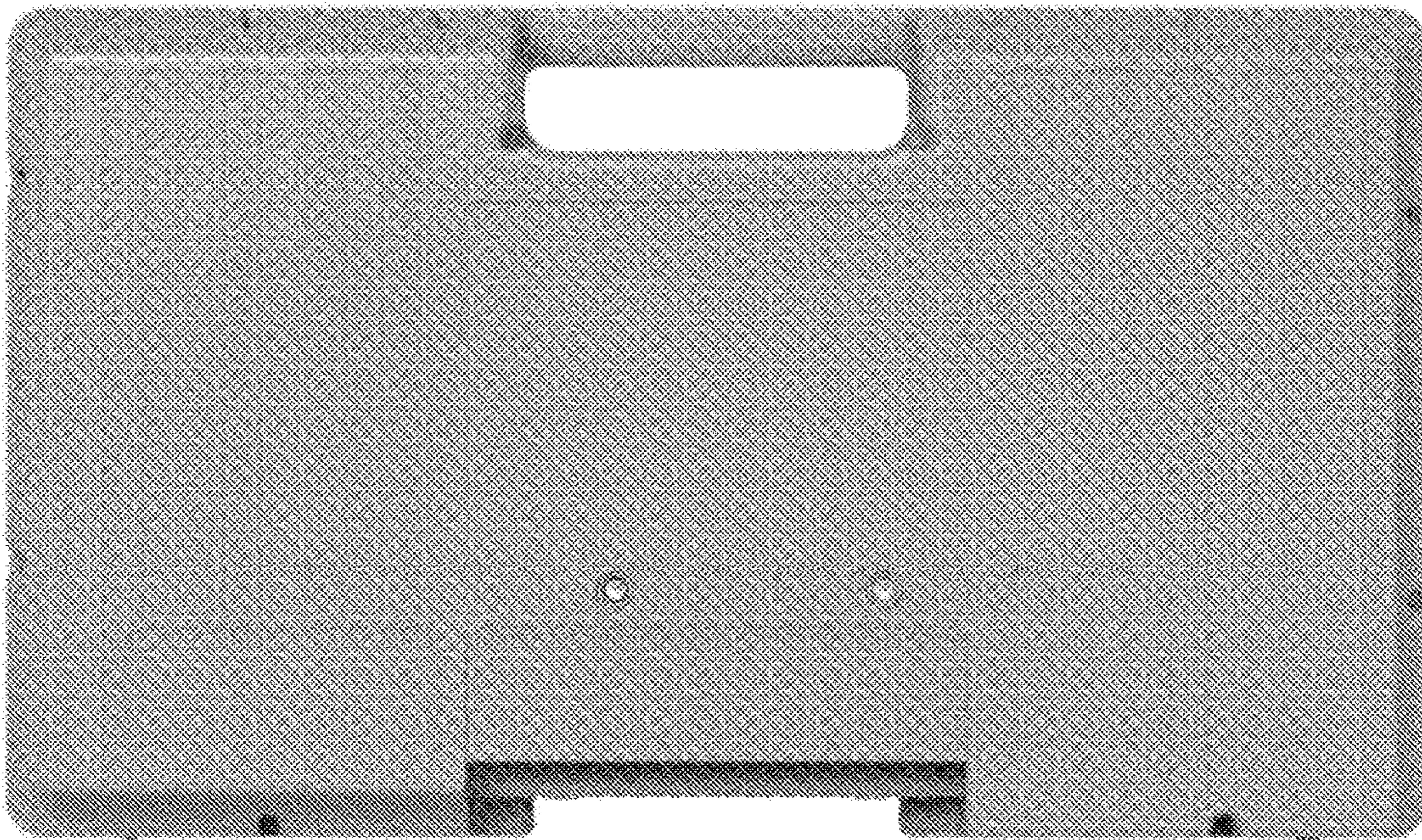
1.5



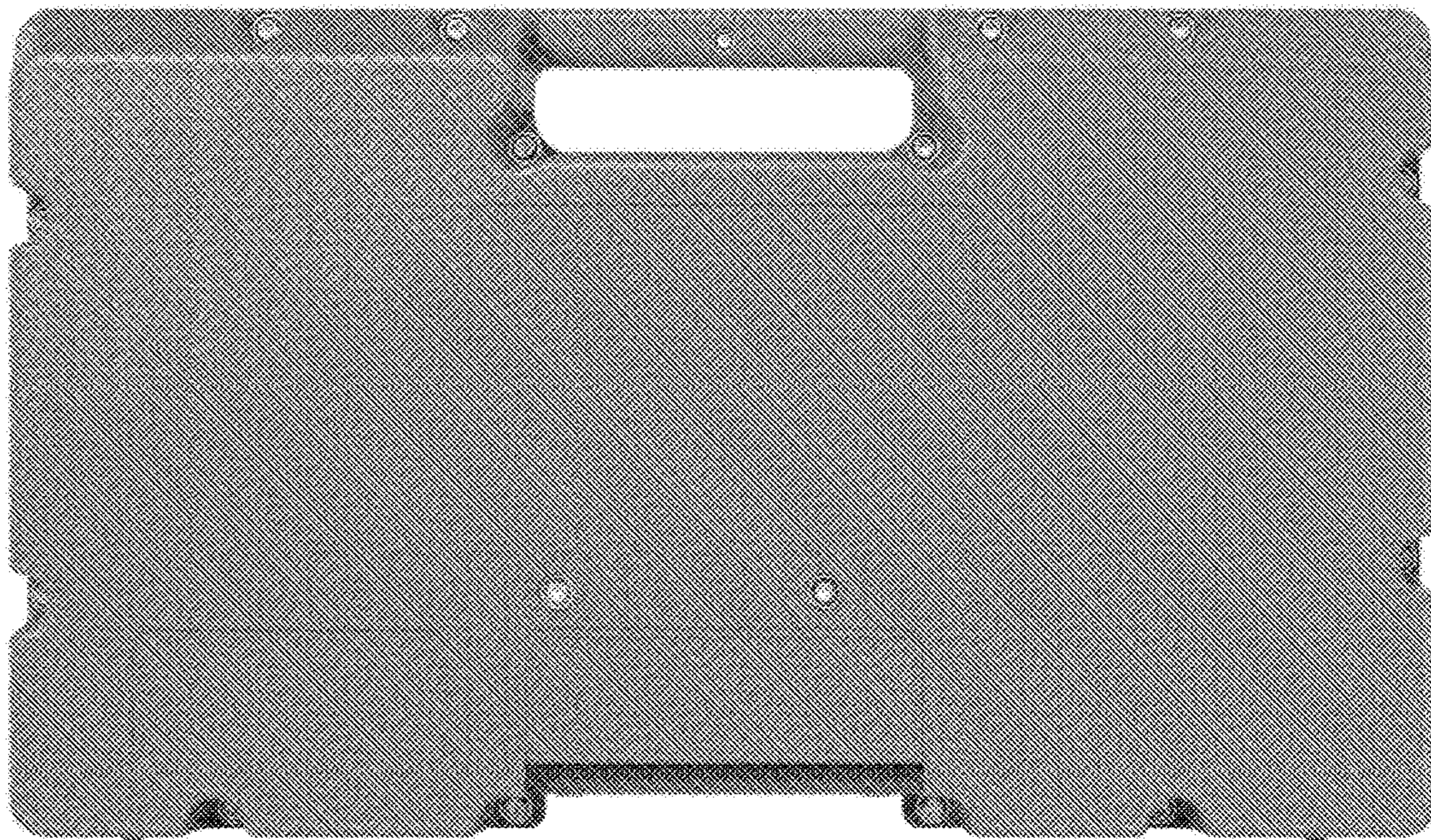
1.6



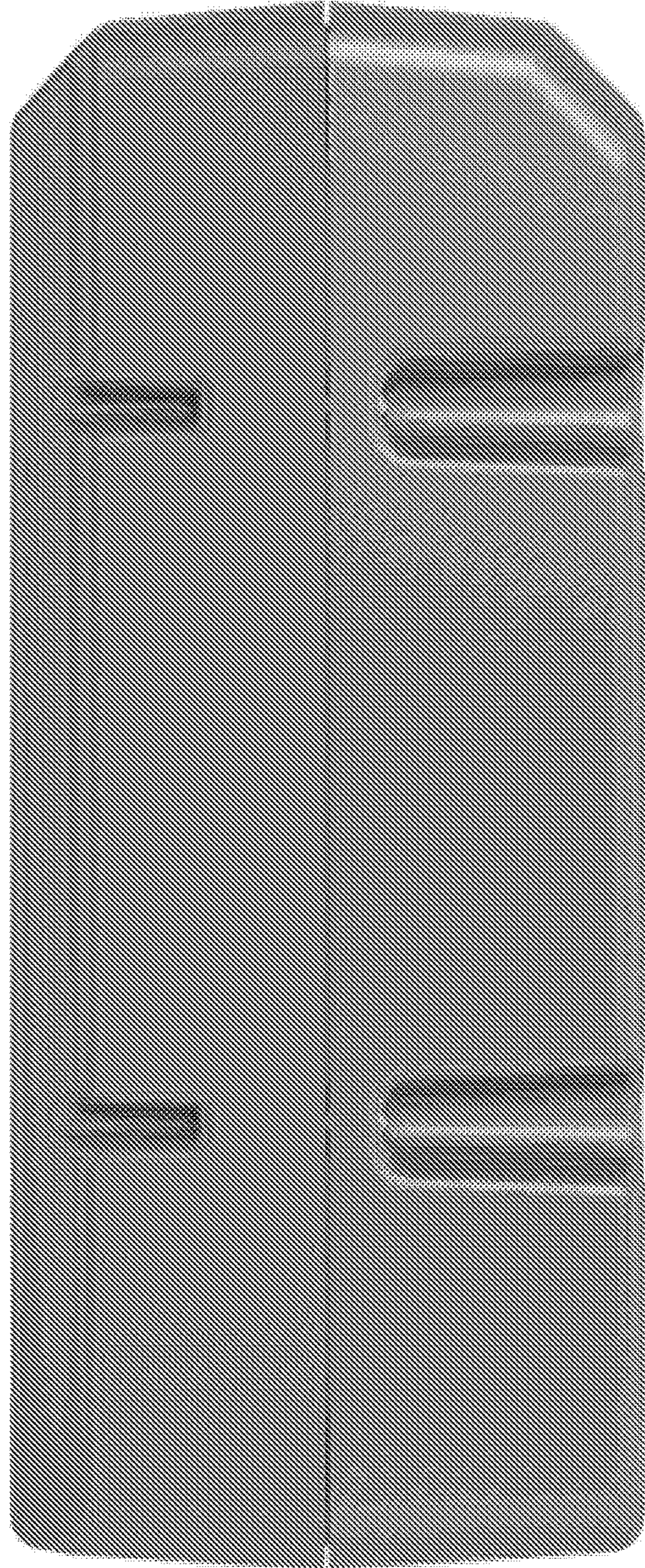
1.7



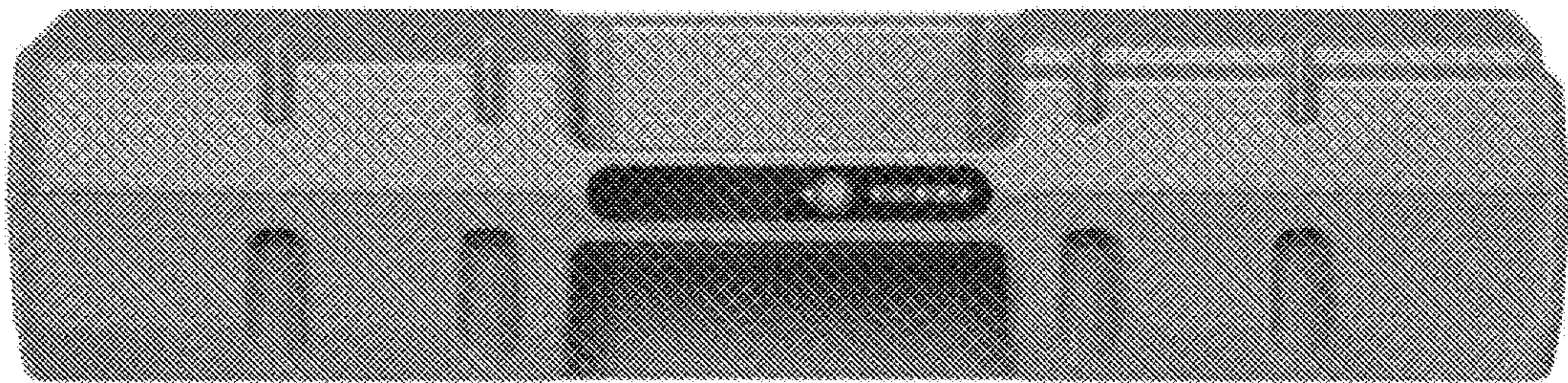
2.1



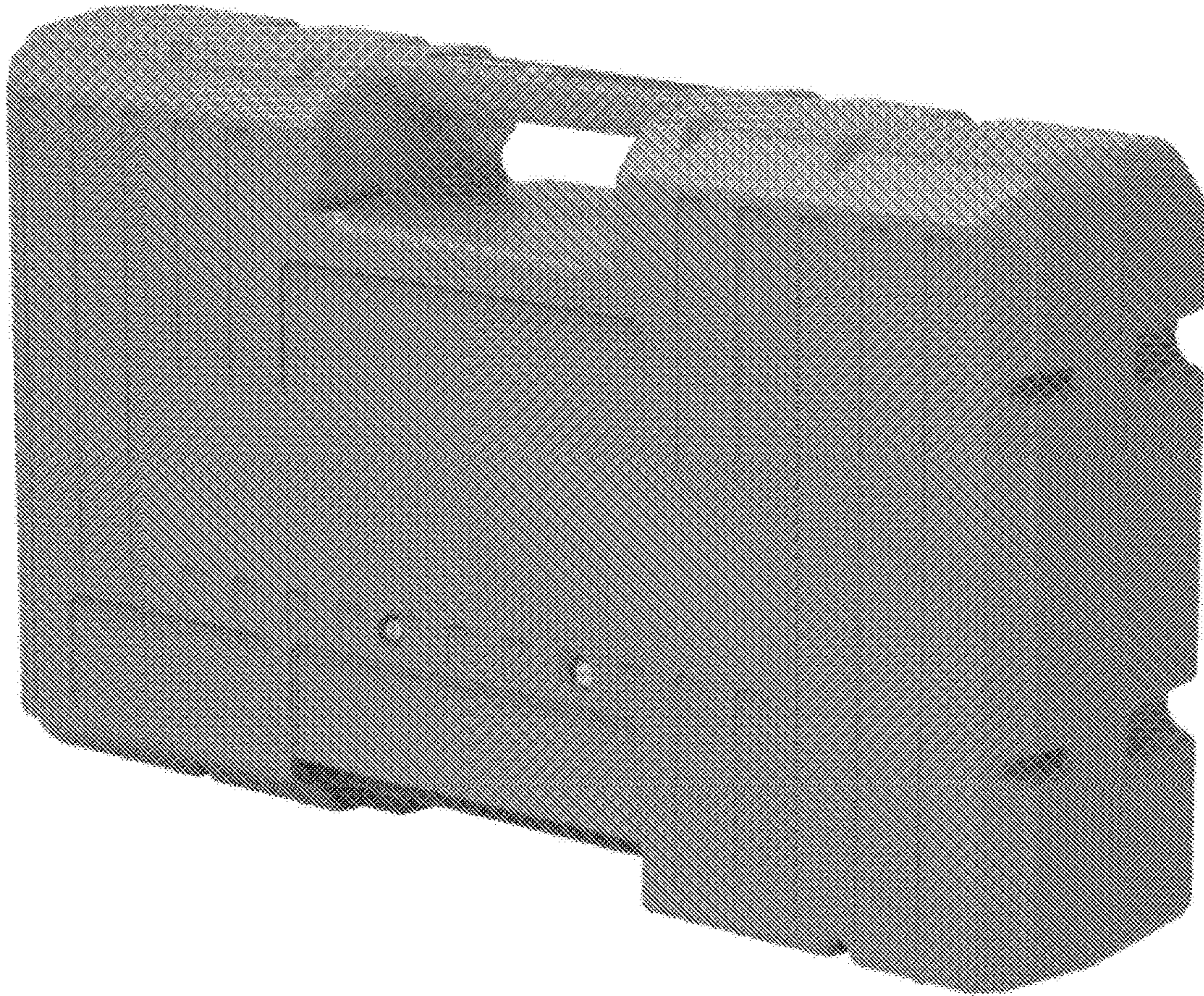
2.2



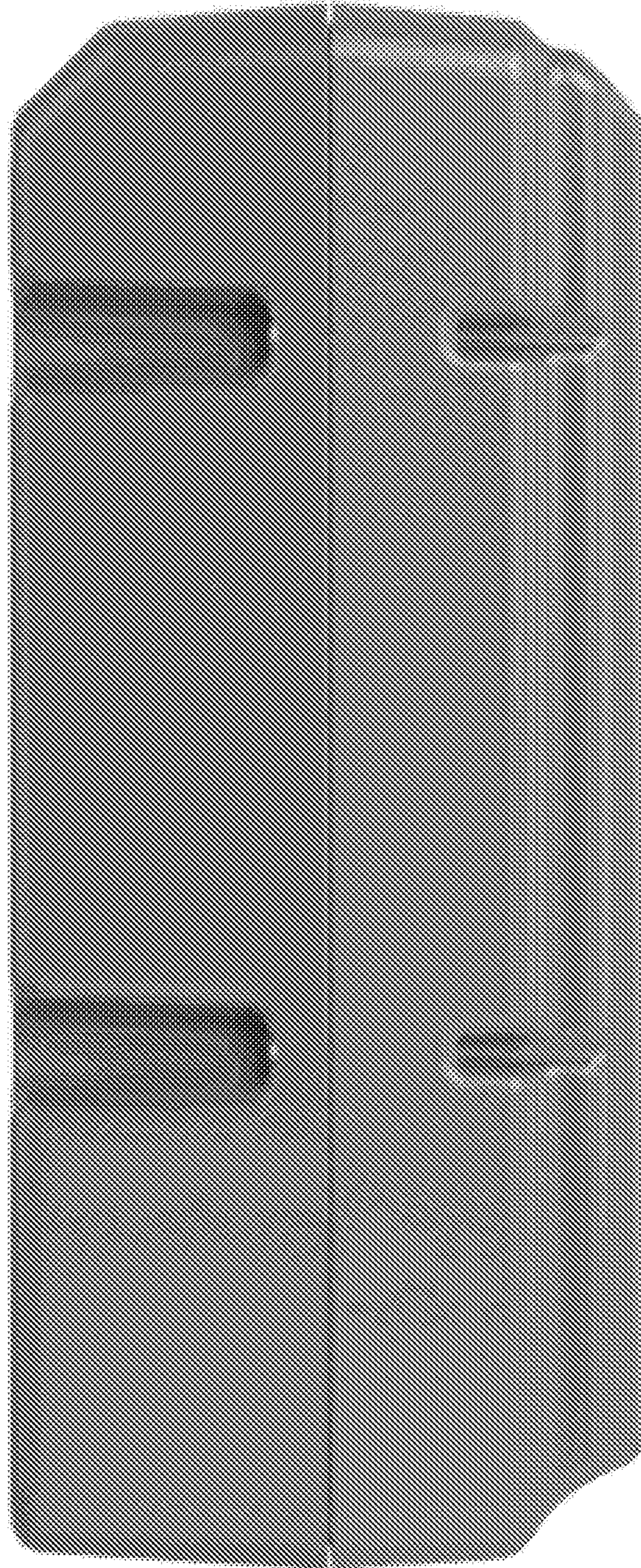
2.3



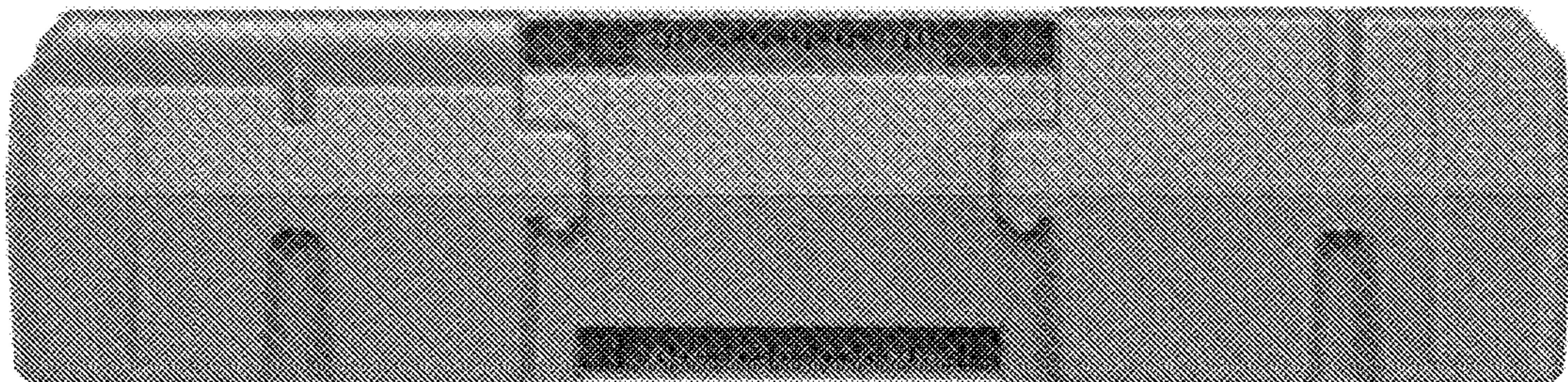
2.4



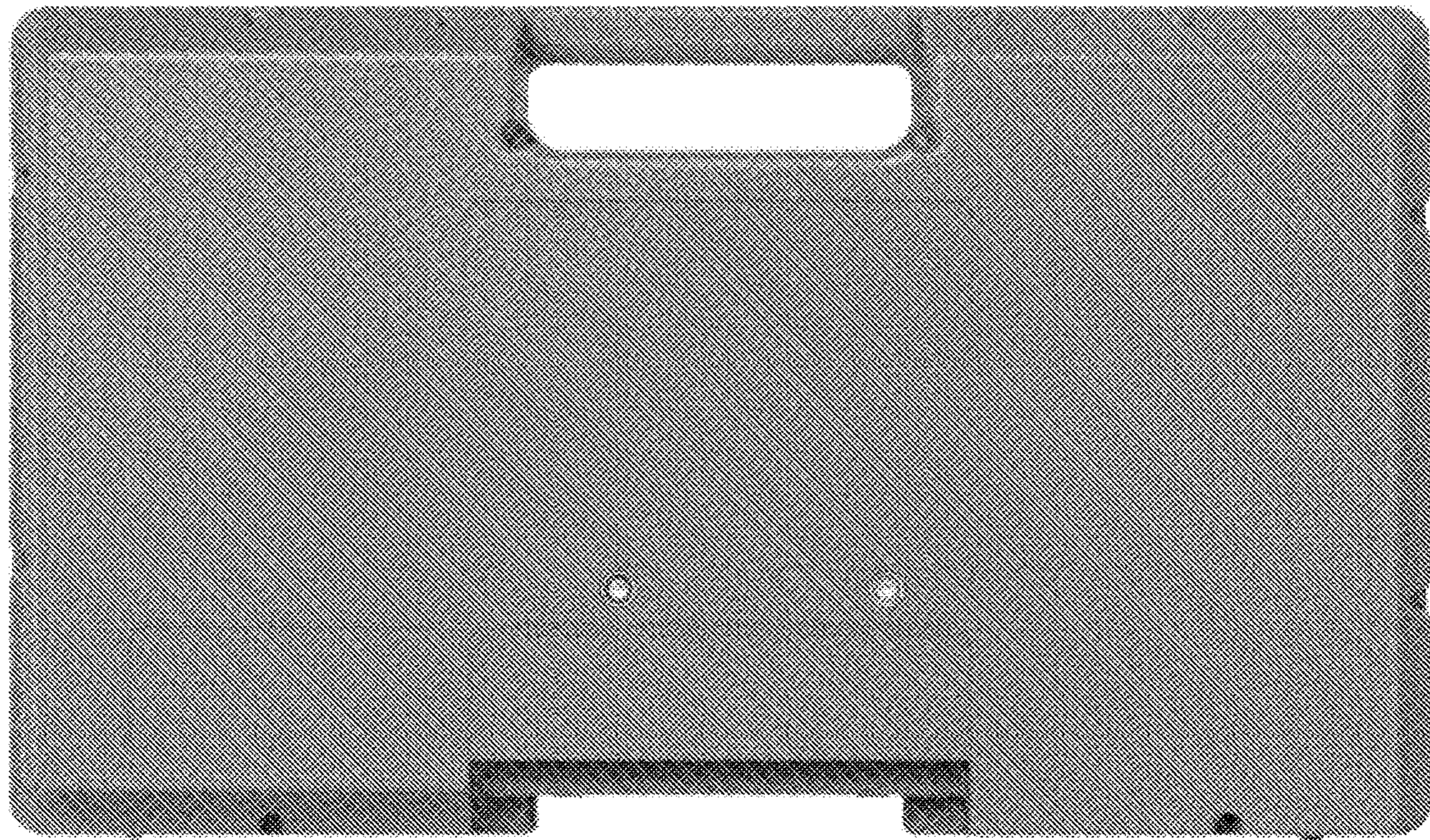
2.5



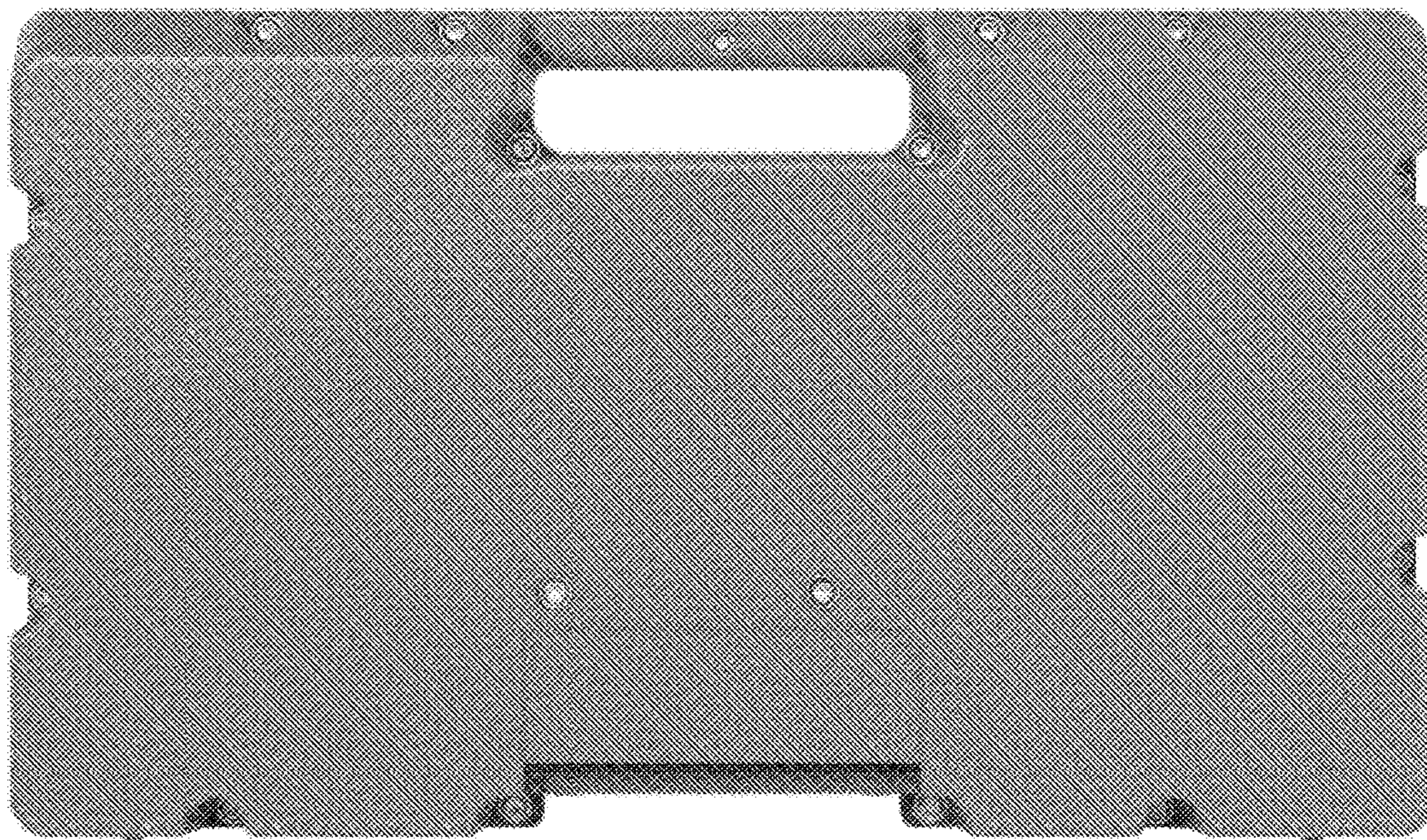
2.6



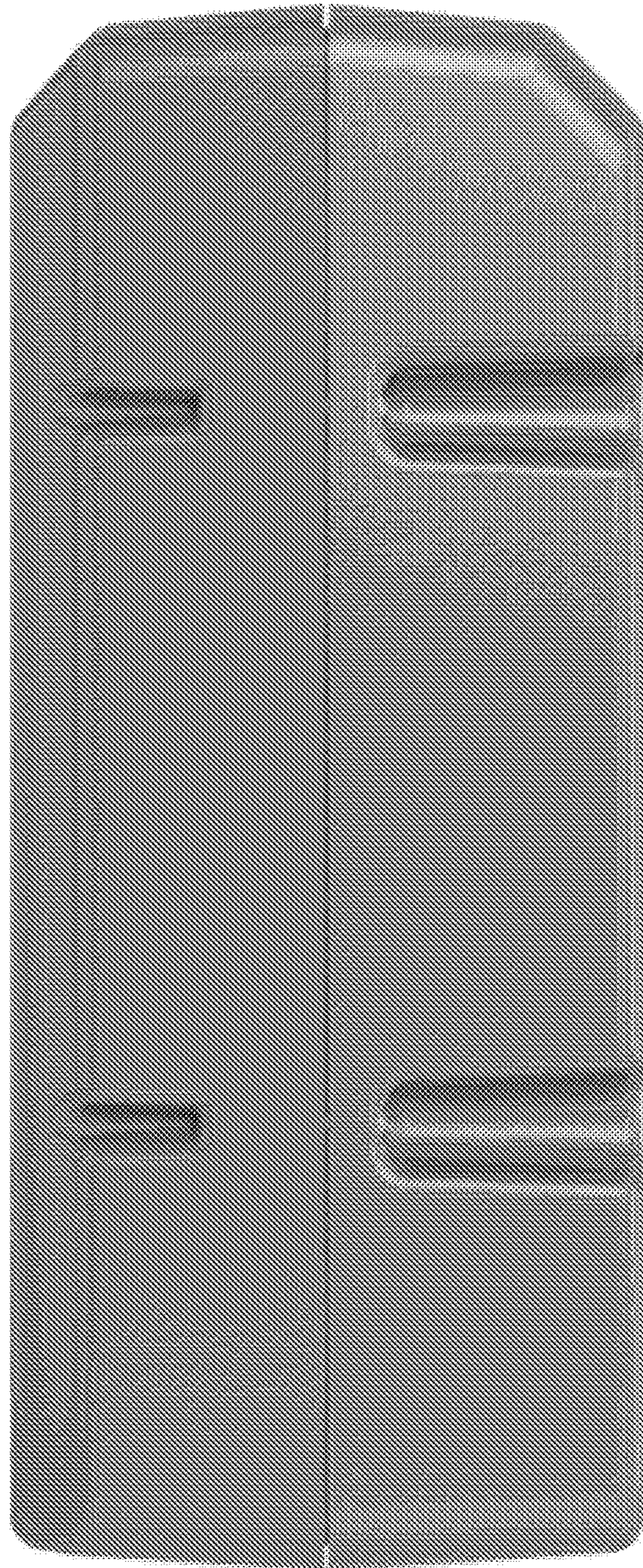
2.7



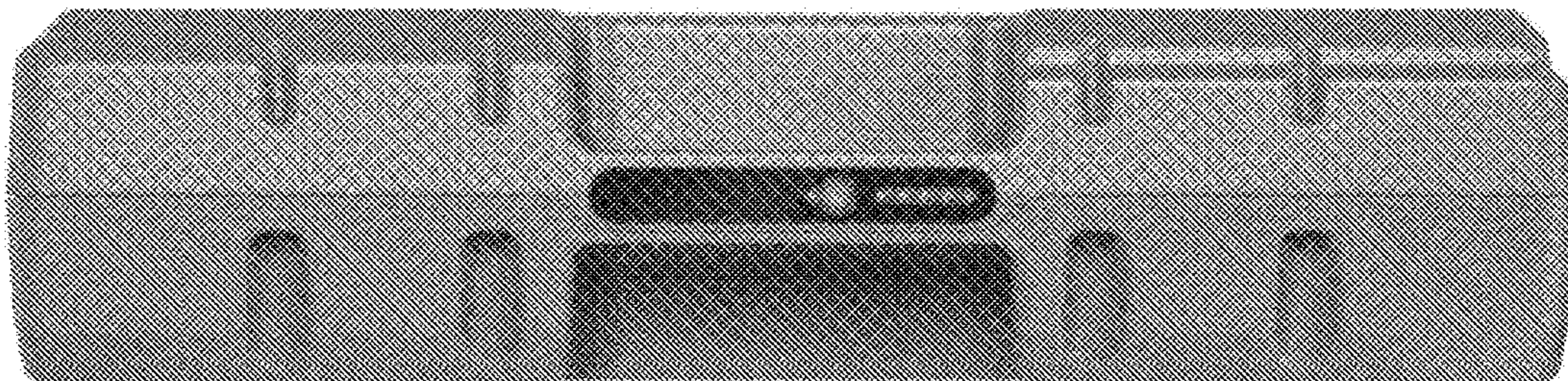
3.1



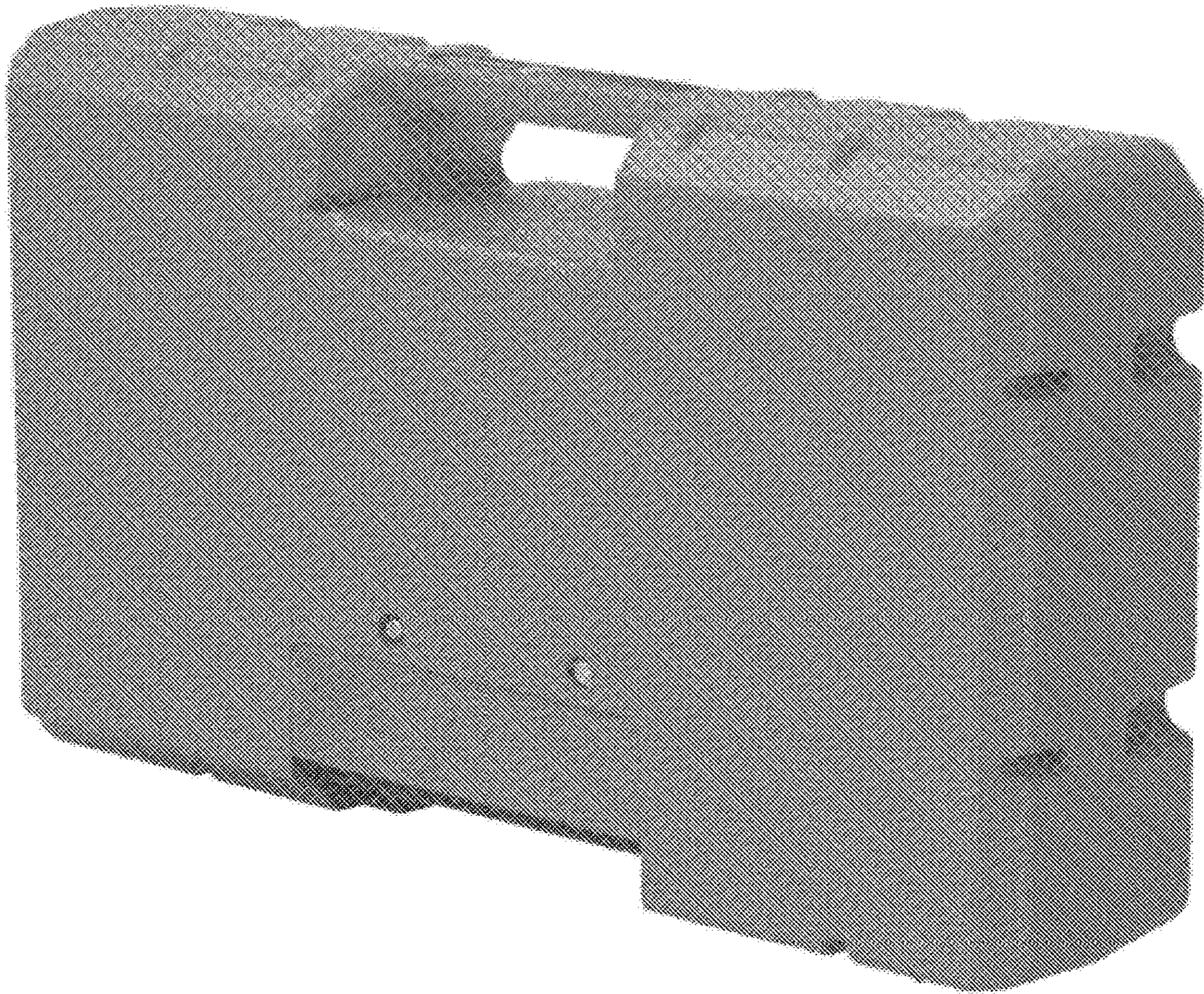
3.2



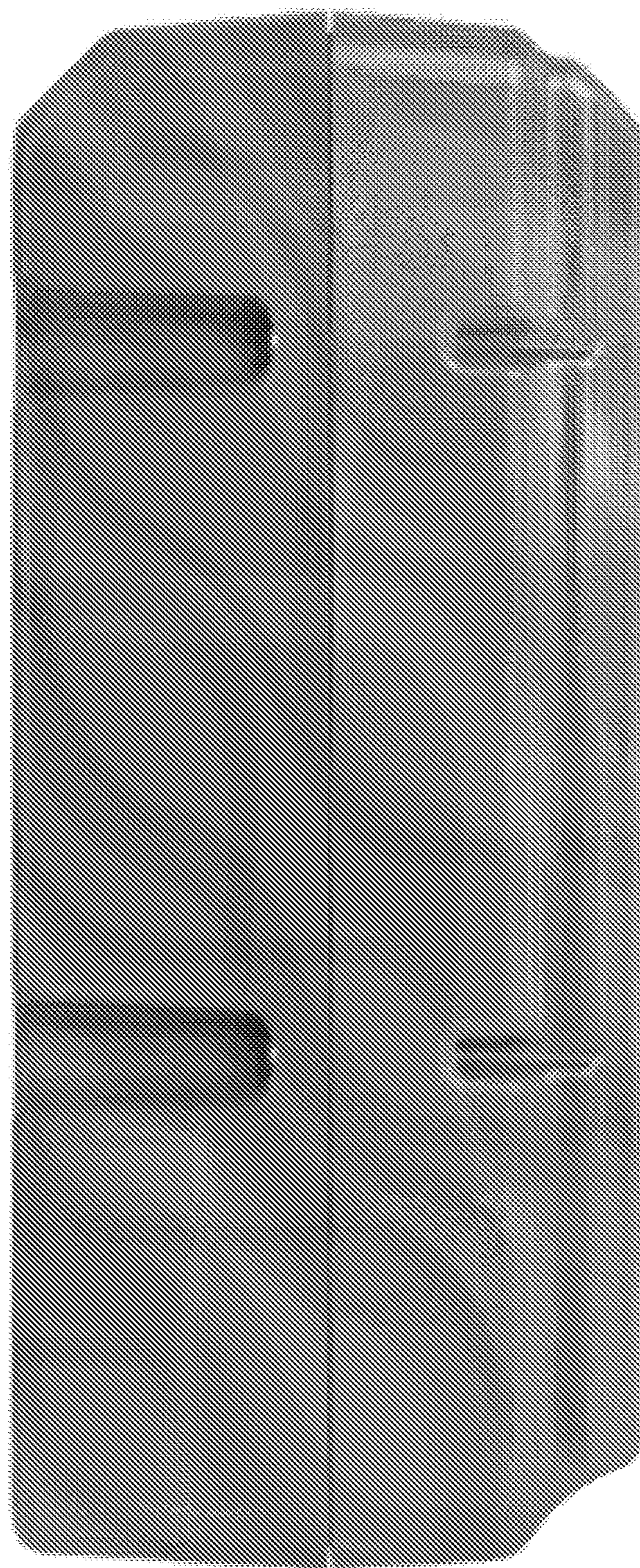
3.3



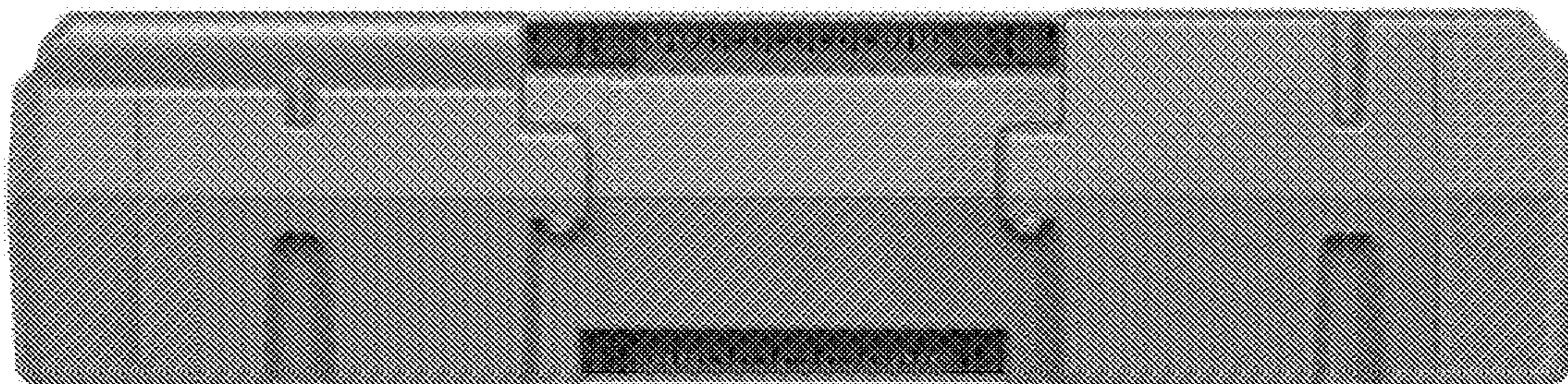
3.4



3.5



3.6



3.7

