



US00D797661S

(12) **United States Design Patent** (10) **Patent No.:** **US D797,661 S**
Elder (45) **Date of Patent:** **** Sep. 19, 2017**

(54) **BATTERY PACK**

(71) Applicant: **Black & Decker Inc.**, Newark, DE (US)

(72) Inventor: **Christian V. Elder**, Baltimore, MD (US)

(73) Assignee: **Black & Decker Inc.**, New Britain, CT (US)

(**) Term: **15 Years**

(21) Appl. No.: **29/596,232**

(22) Filed: **Mar. 7, 2017**

Related U.S. Application Data

(63) Continuation of application No. 29/542,866, filed on Oct. 19, 2015, now Pat. No. Des. 780,688.

(51) **LOC (10) Cl.** **13-02**

(52) **U.S. Cl.**
USPC **D13/103**

(58) **Field of Classification Search**

USPC D13/102-104, 110, 118-121, 184, 199;
429/96-100, 163, 176
CPC Y02E 60/12; Y02E 60/122; Y02E 60/124;
Y02E 60/50; H01M 2/02; H01M 2/022;
H01M 2/0202; H01M 2/0207; H01M
2/0212; H01M 2/1061; H01M 2/1022;
H01M 2/1055; H01M 2/1066; H01M
2/105; H01M 2/204; H01M 10/4257;
H01M 10/0436; H01M 10/48

See application file for complete search history.

(56) **References Cited**

U.S. PATENT DOCUMENTS

D477,811 S * 7/2003 Niwa D13/103
D481,672 S * 11/2003 Niwa D13/103
D516,504 S * 3/2006 Okuda D13/103
D523,807 S * 6/2006 Murayama D13/103

(Continued)

Primary Examiner — Rosemary K Tarcza

(74) *Attorney, Agent, or Firm* — Michael Aronoff

(57) **CLAIM**

The ornamental design for a battery pack, as shown and described.

DESCRIPTION

FIG. 1 is a front perspective view, from above, of a battery pack of the present invention.

FIG. 2 is another front perspective view, from above, of the battery pack of FIG. 1.

FIG. 3 is a rear perspective view, from above, of the battery pack of FIG. 1.

FIG. 4 is another rear perspective view, from above, of the battery pack of FIG. 1.

FIG. 5 is a rear perspective view, from below, of the battery pack of FIG. 1.

FIG. 6 is a front perspective view, from below, of the battery pack of FIG. 1.

FIG. 7 is another front perspective view, from below, of the battery pack of FIG. 1.

FIG. 8 is another rear perspective view, from below, of the battery pack of FIG. 1.

FIG. 9 is a front elevation view of the battery pack of FIG. 1.

FIG. 10 is a side elevation view of the battery pack of FIG. 1.

FIG. 11 is a rear elevation view of the battery pack of FIG. 1.

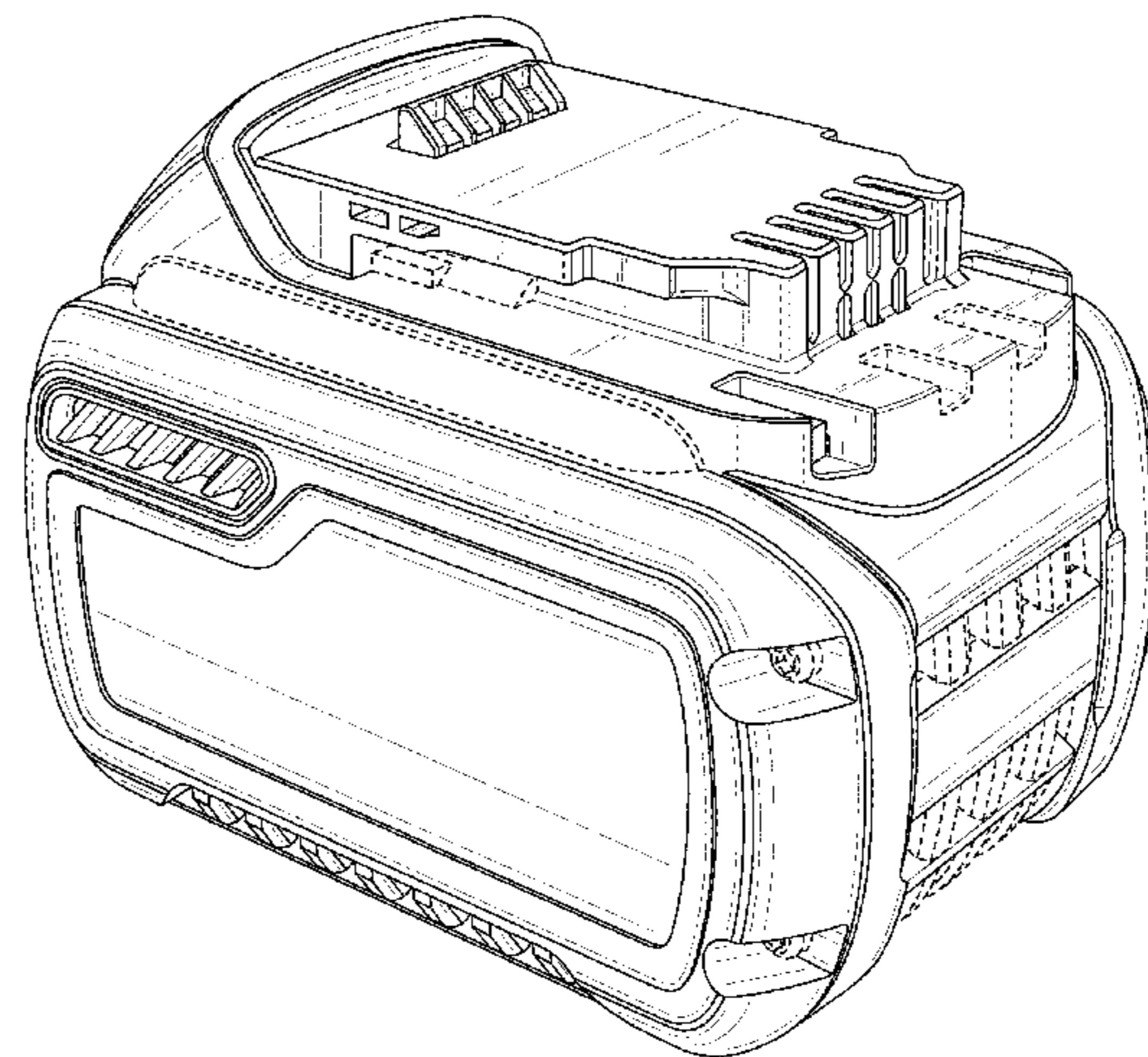
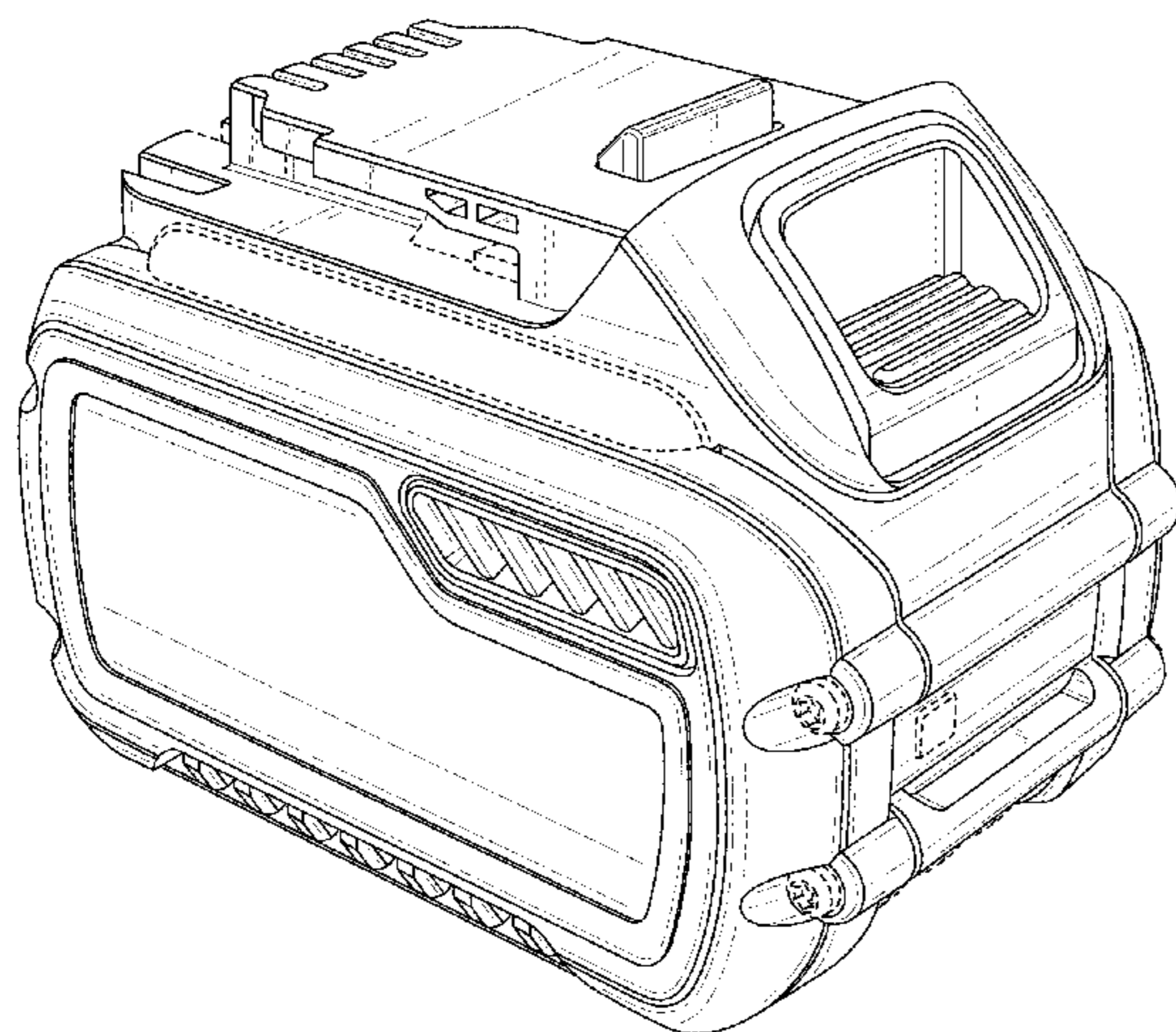
FIG. 12 is another side elevation view of the battery pack of FIG. 1.

FIG. 13 is a bottom plan view of the battery pack of FIG. 1; and,

FIG. 14 is a top plan view of the battery pack of FIG. 1.

The broken lines shown in the drawings are included for the purpose of illustrating unclaimed portions of the battery pack, and form no part of the claimed design.

1 Claim, 14 Drawing Sheets



(56)

References Cited

U.S. PATENT DOCUMENTS

D545,759	S *	7/2007	Ino	D13/103
D550,152	S *	9/2007	Okuda	D13/103
D555,086	S *	11/2007	Zhang	D13/103
D562,227	S *	2/2008	Yamada	D13/103
D562,228	S *	2/2008	Okada	D13/103
D568,239	S *	5/2008	Okada	D13/103
D589,439	S *	3/2009	Van Wambeke	D13/103
D589,440	S *	3/2009	Van Wambeke	D13/103
D589,441	S *	3/2009	Van Wambeke	D13/103
D604,695	S *	11/2009	Aglassinger	D13/103
D606,935	S *	12/2009	Murayama	D13/103
D610,082	S *	2/2010	Sweeney	D13/103
D622,661	S *	8/2010	Yamada	D13/103
D639,730	S *	6/2011	Kawase	D13/103
D640,628	S *	6/2011	Lopano	D13/103
D640,975	S *	7/2011	Okuda	D13/103
D643,809	S *	8/2011	Okuda	D13/103
8,092,932	B2 *	1/2012	Phillips	B25F 5/02 429/100
D657,307	S *	4/2012	Zhao	D13/103
D682,194	S *	5/2013	Jiang	D13/103
D684,528	S *	6/2013	Murray	D13/103
D699,670	S *	2/2014	Cooper	D13/103

* cited by examiner

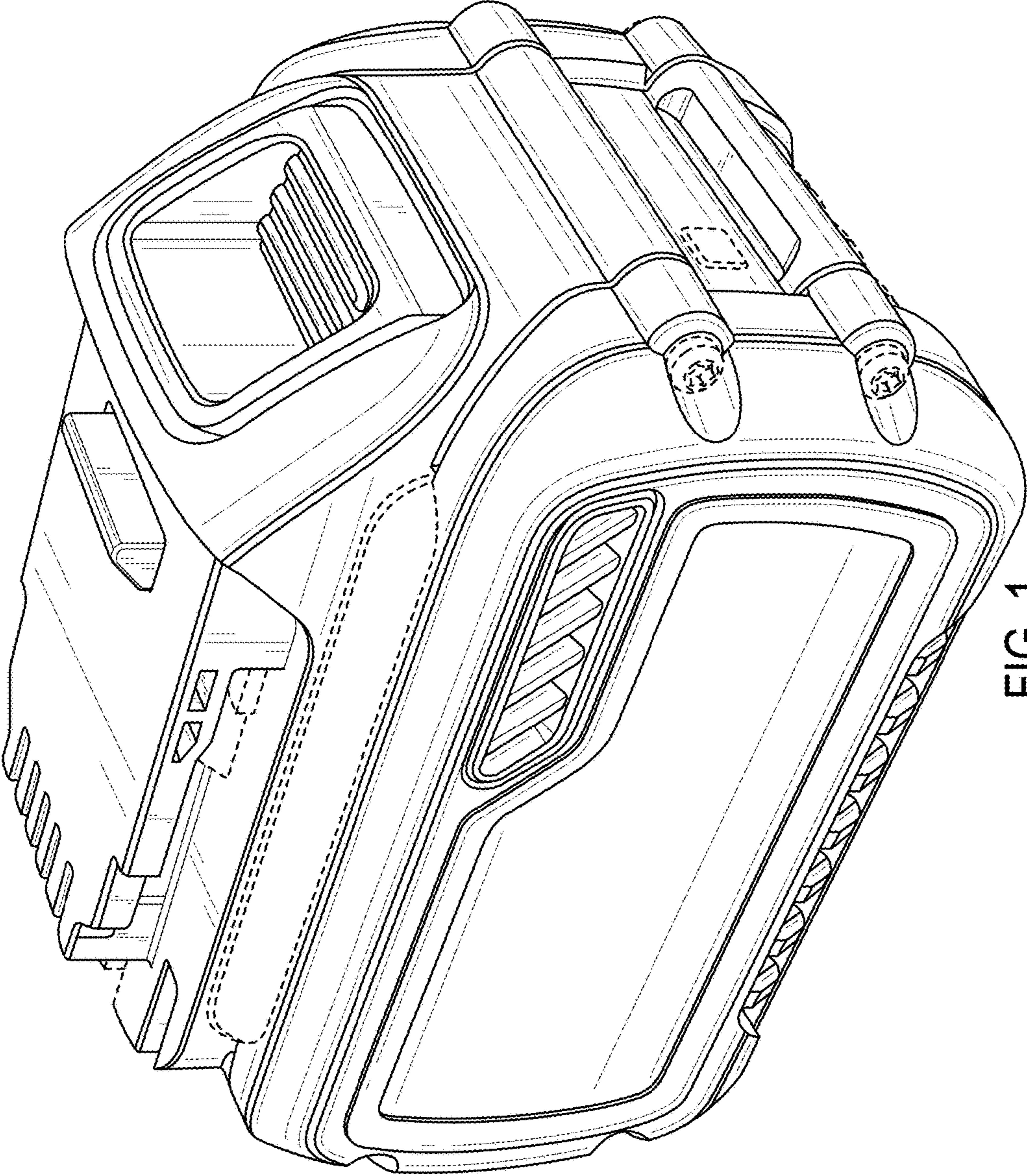


FIG. 1

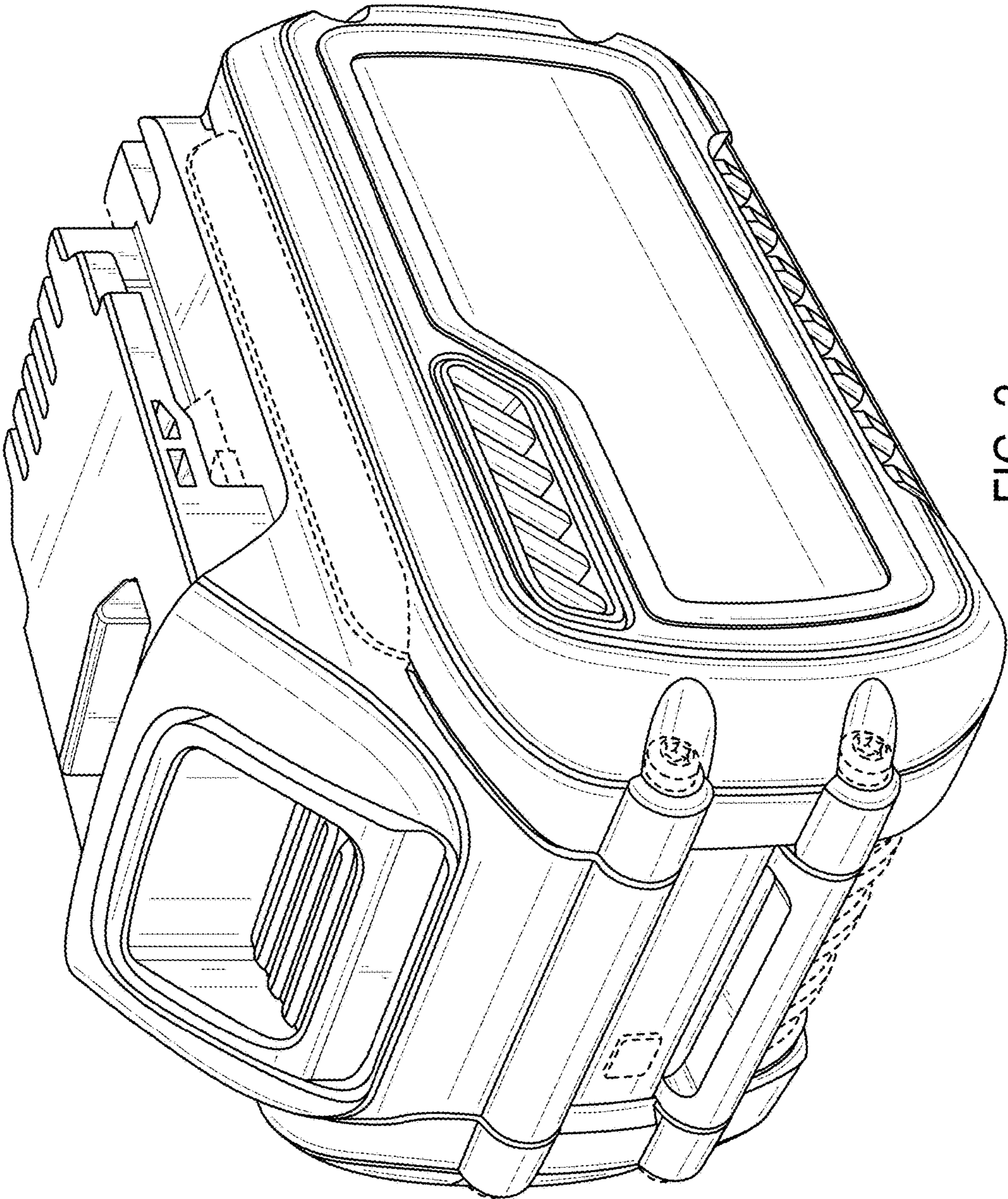


FIG. 2

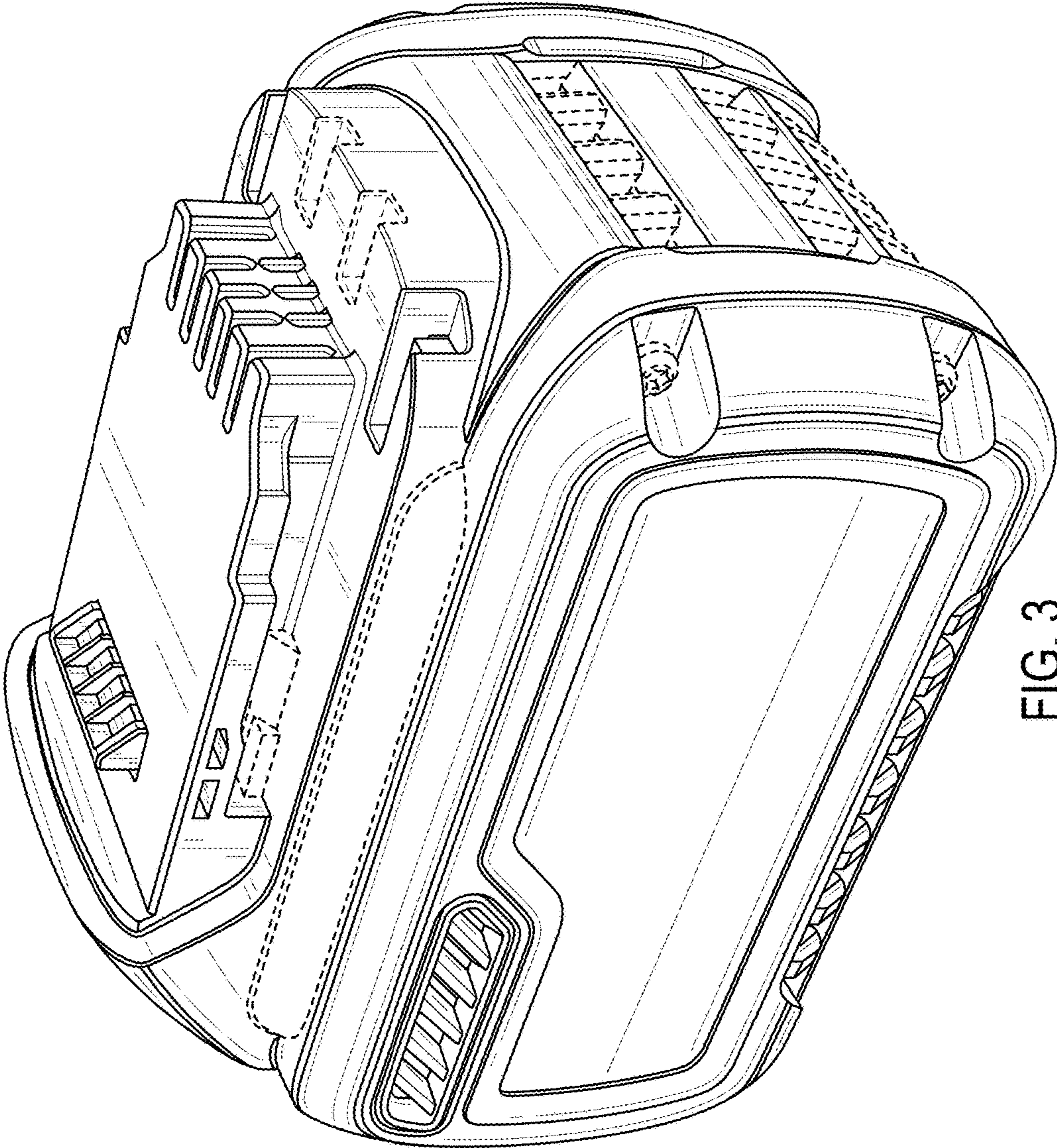


FIG. 3

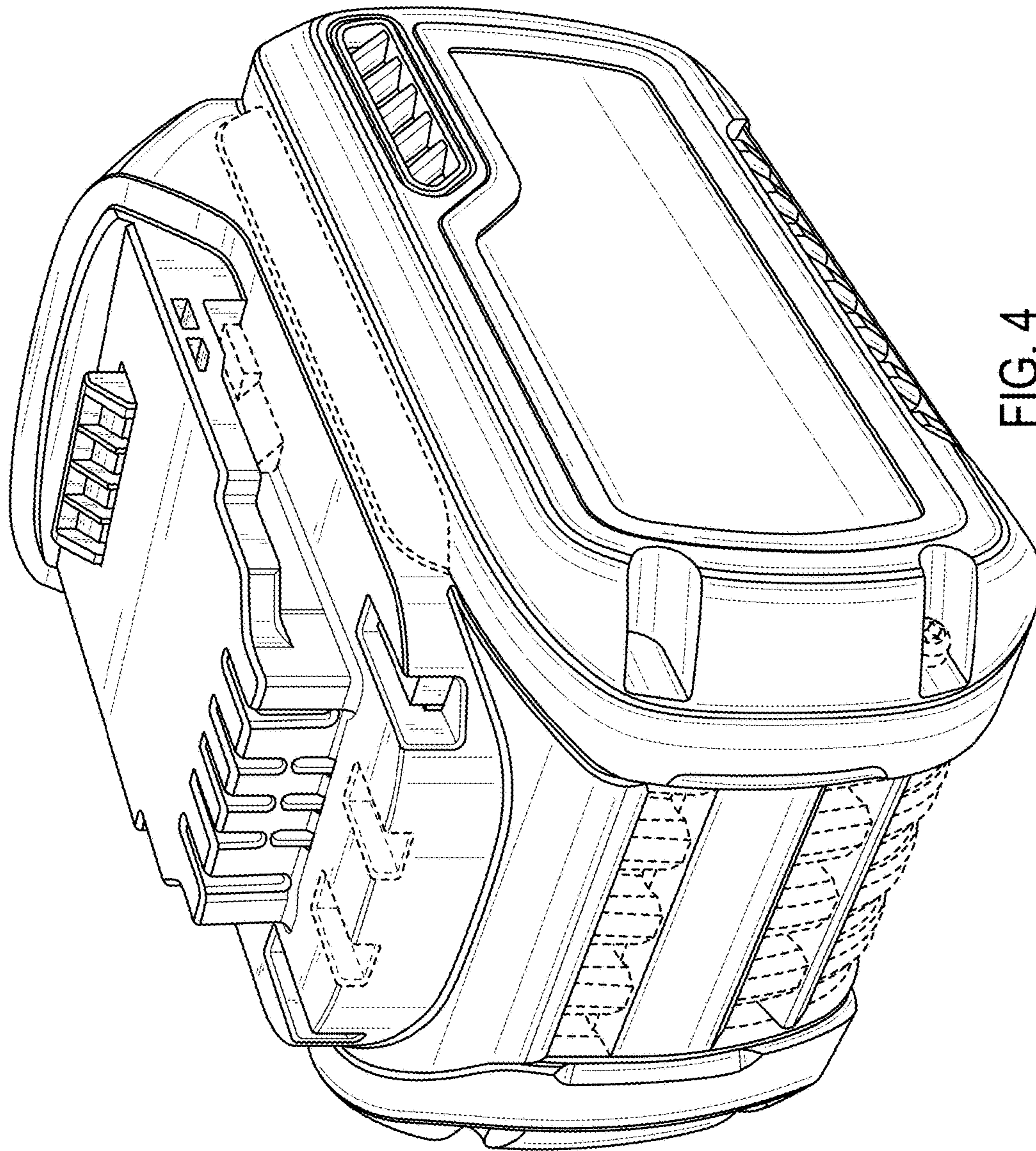


FIG. 4

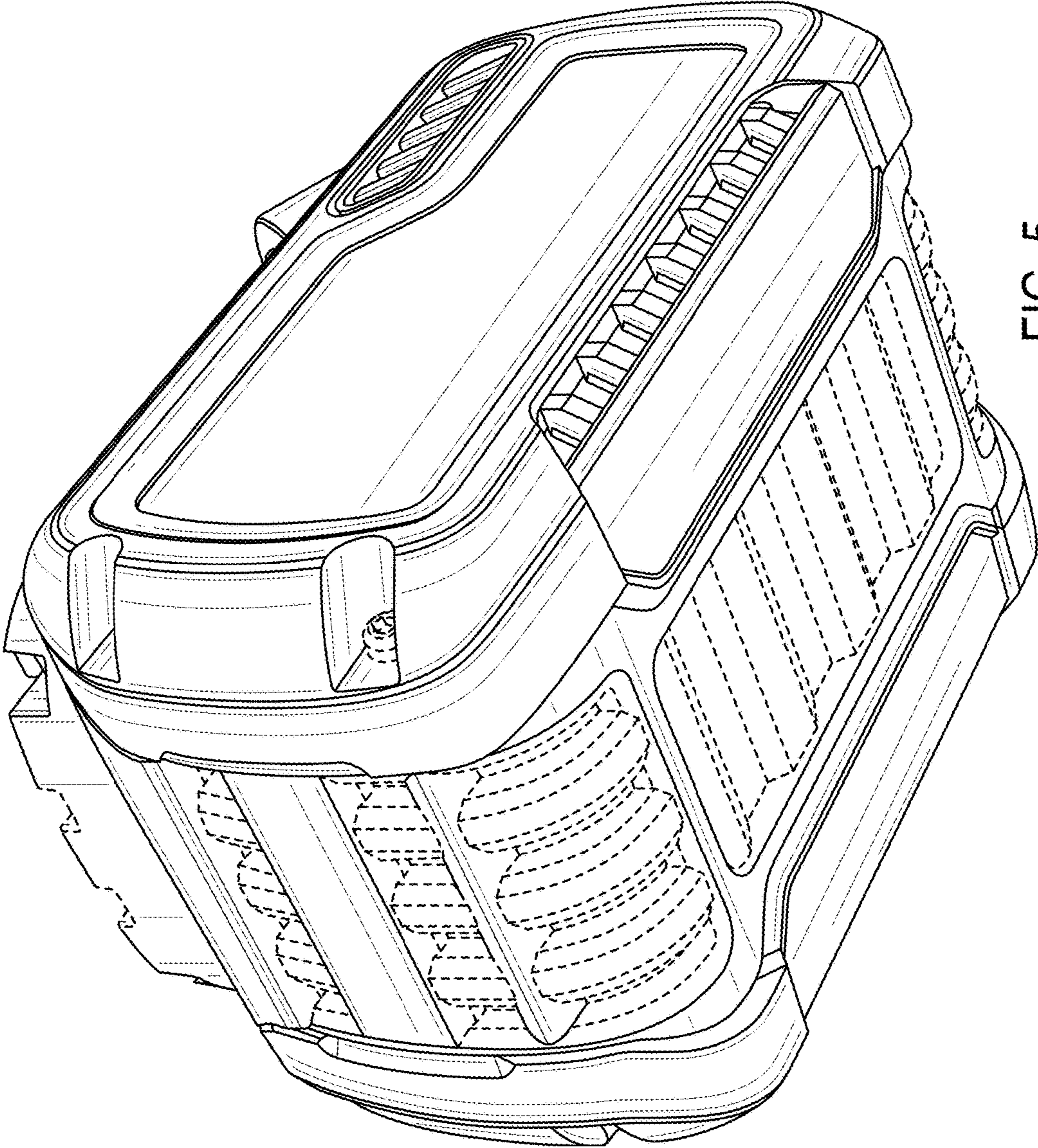


FIG. 5

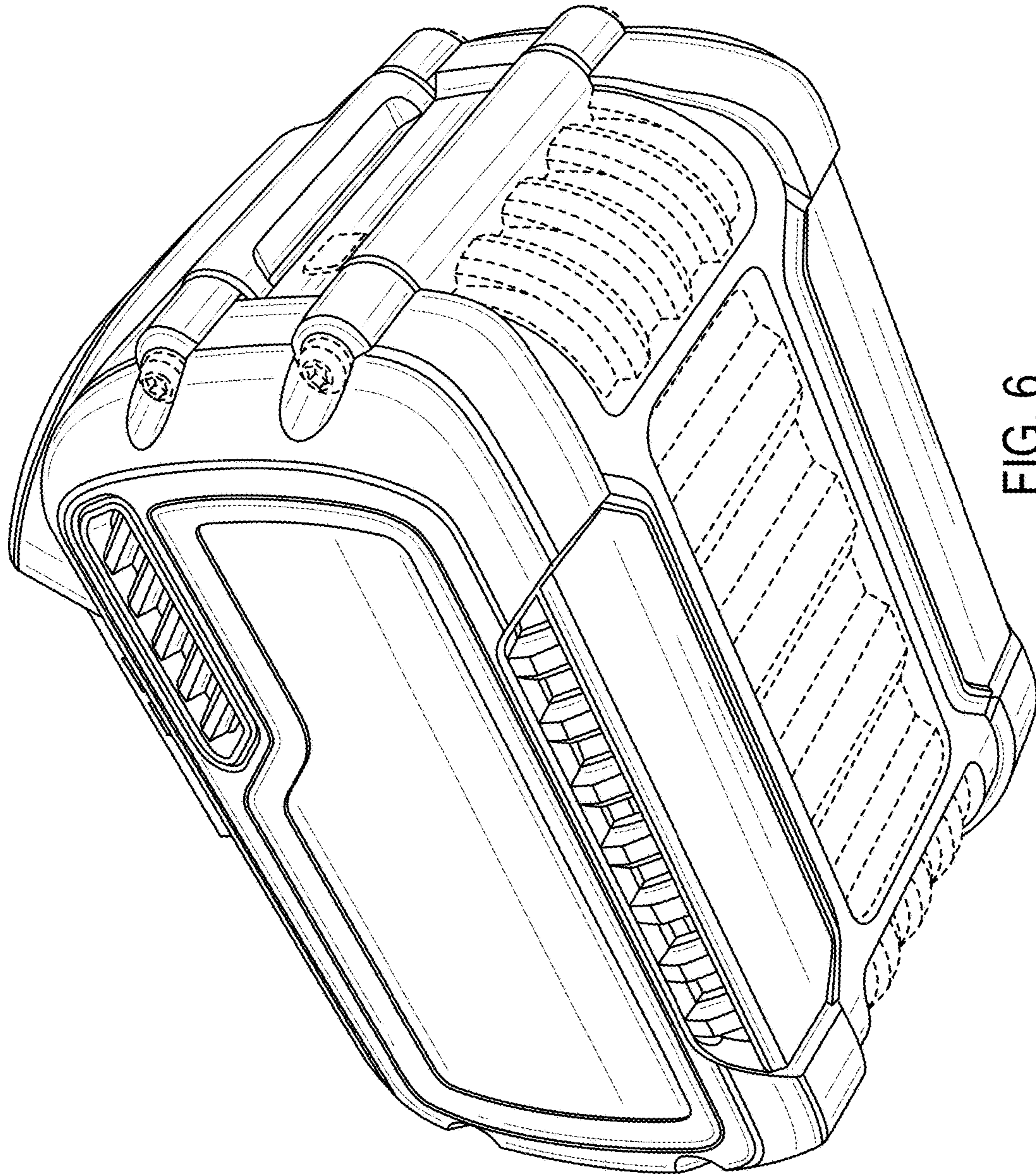


FIG. 6

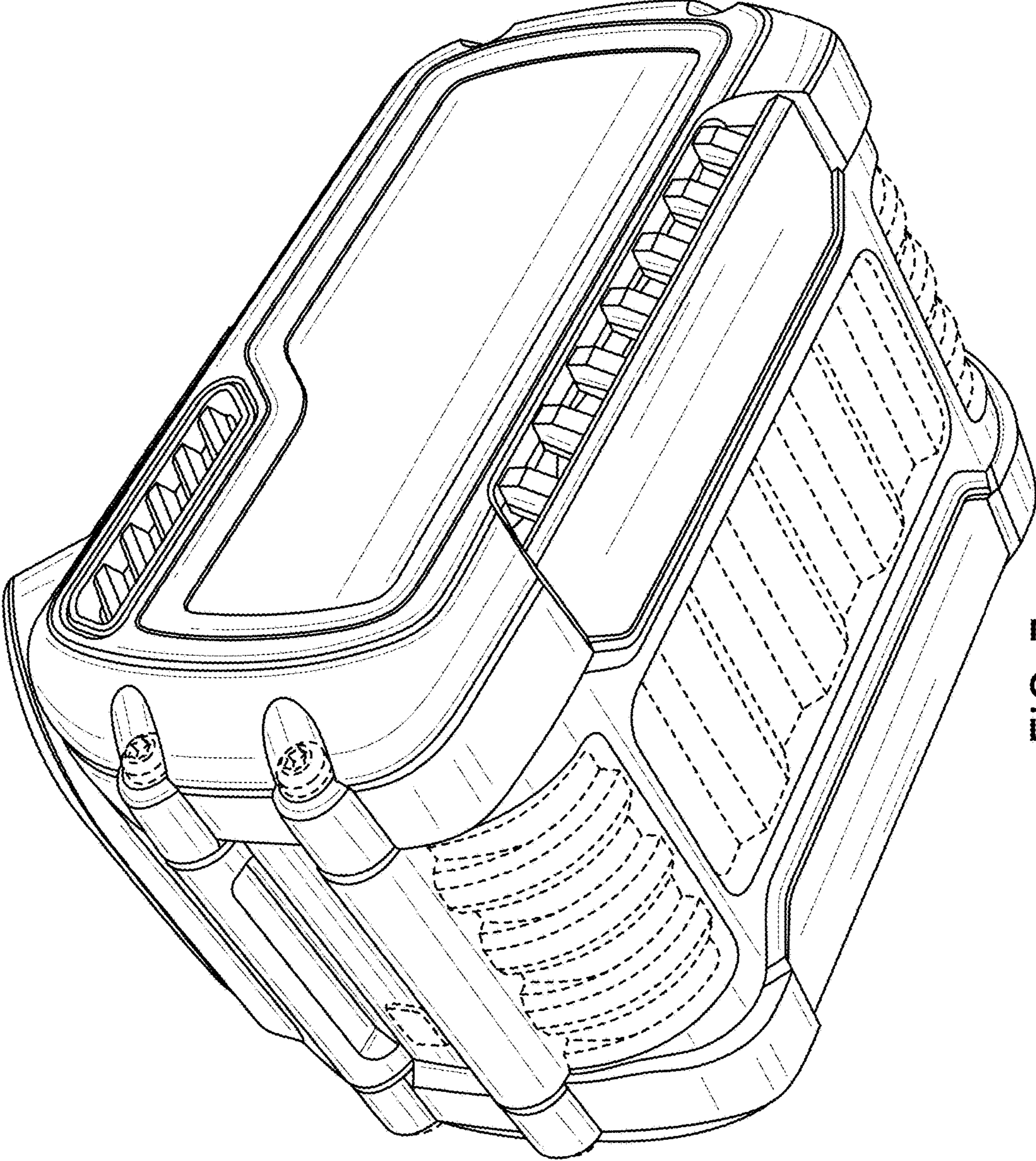


FIG. 7

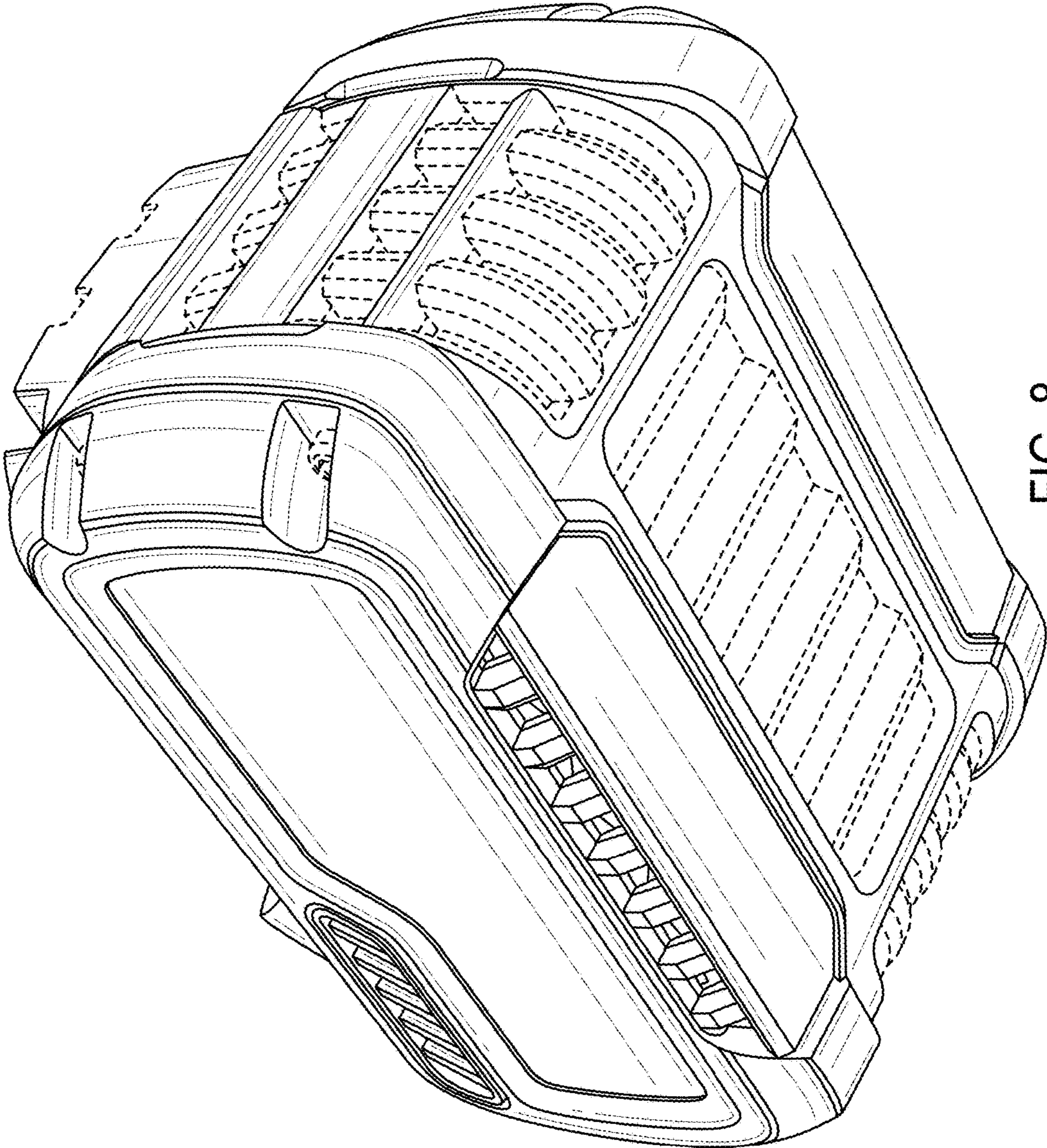


FIG. 8

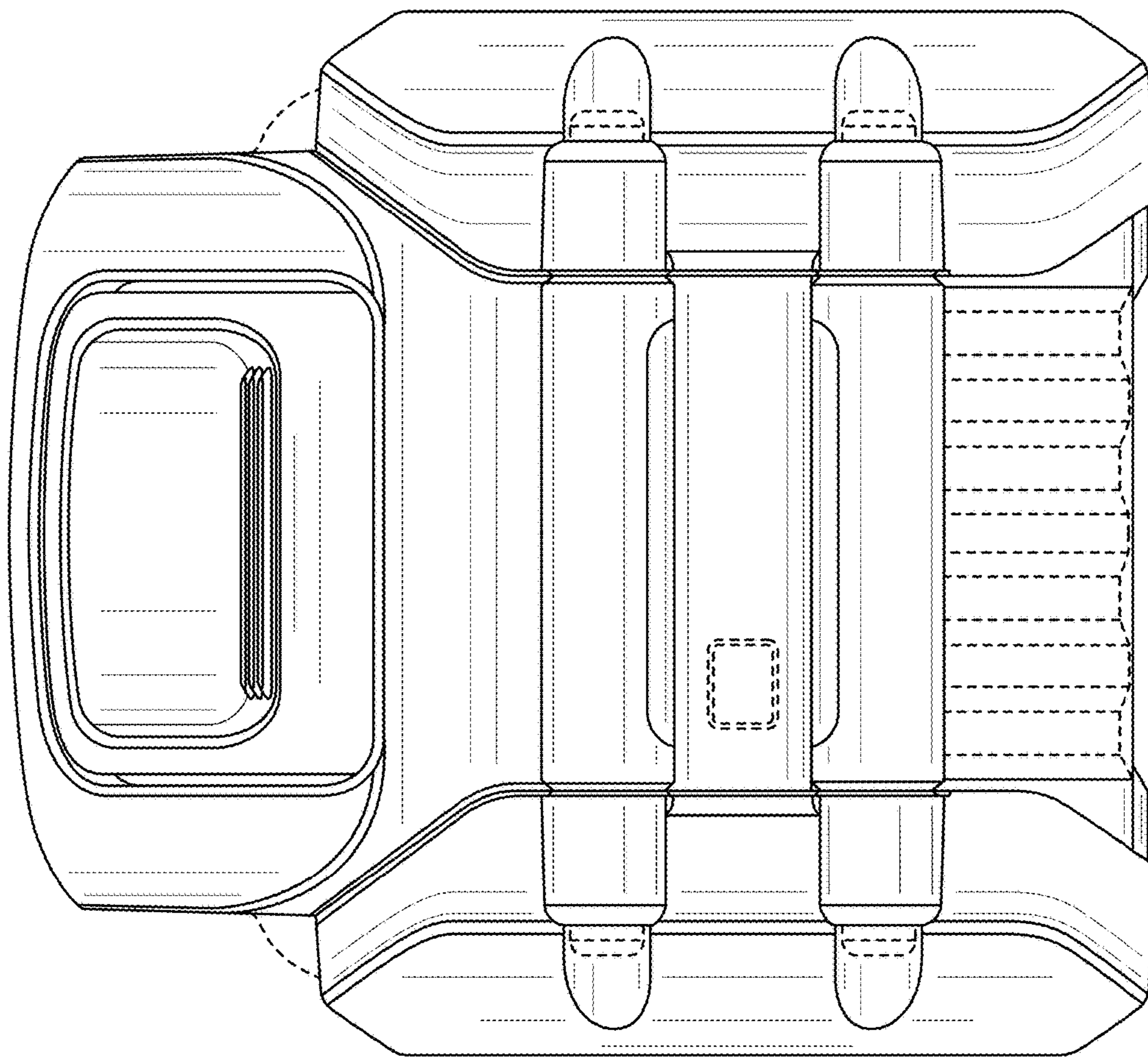


FIG. 9

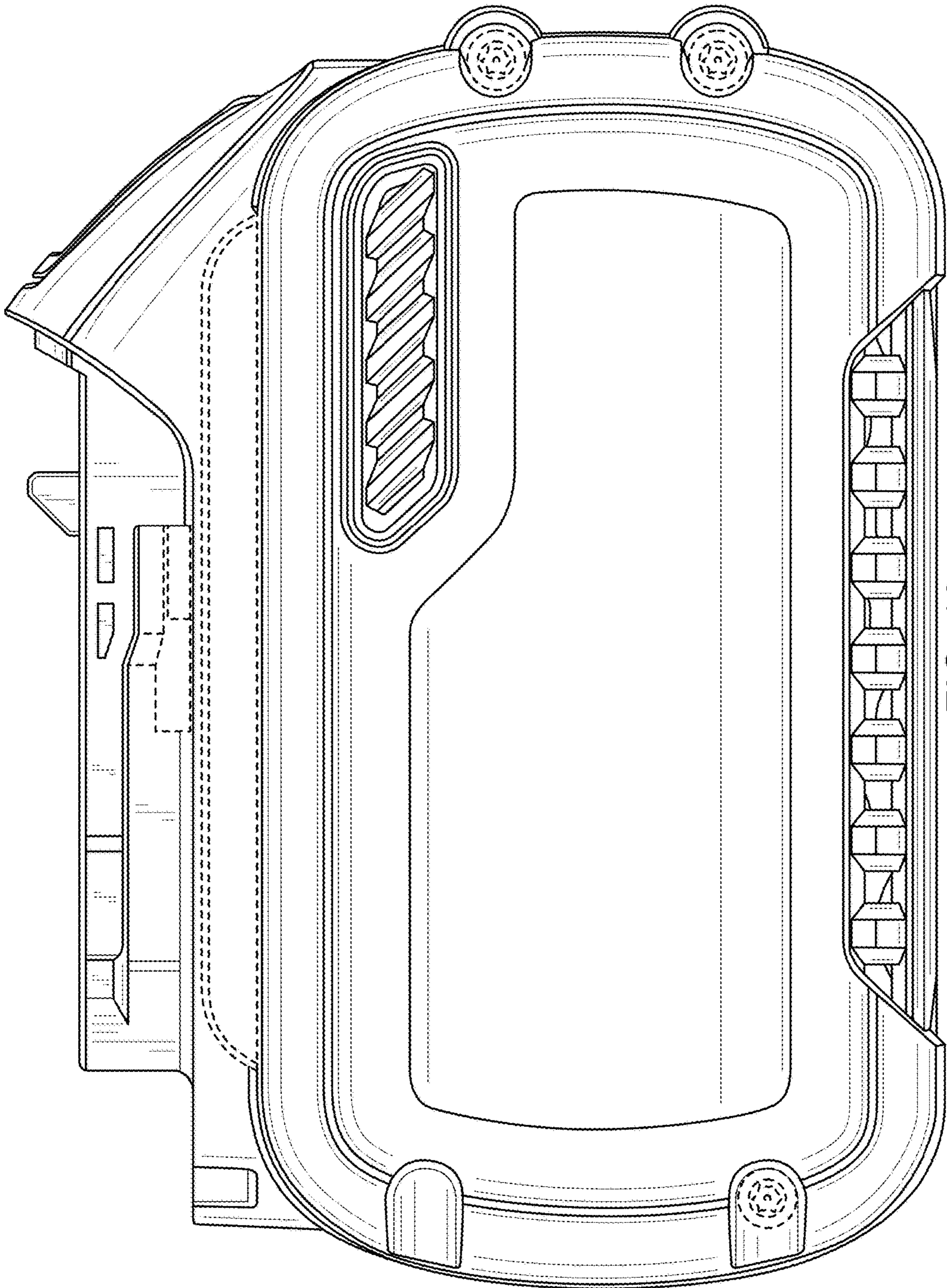


FIG. 10

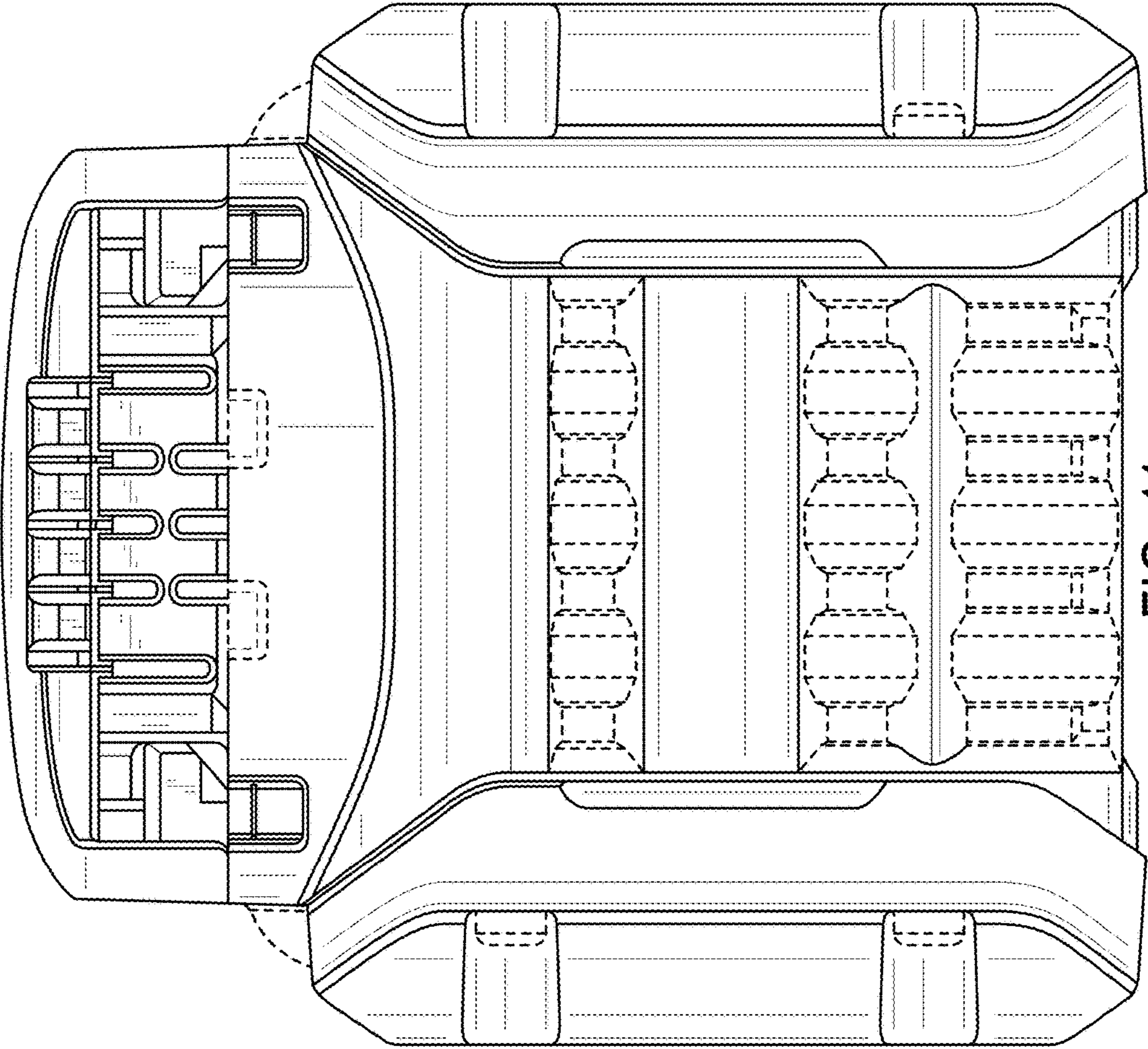


FIG. 11

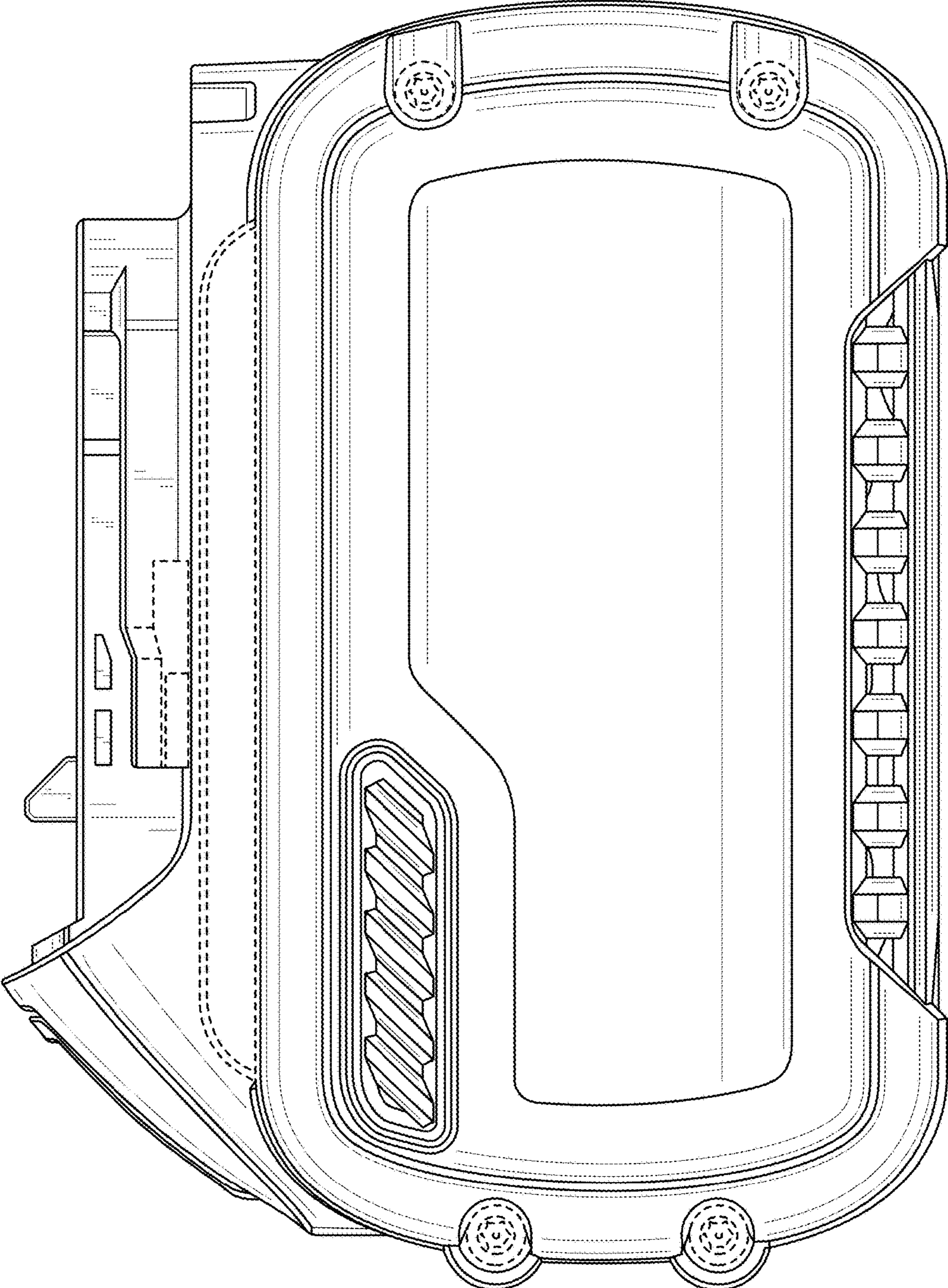


FIG. 12

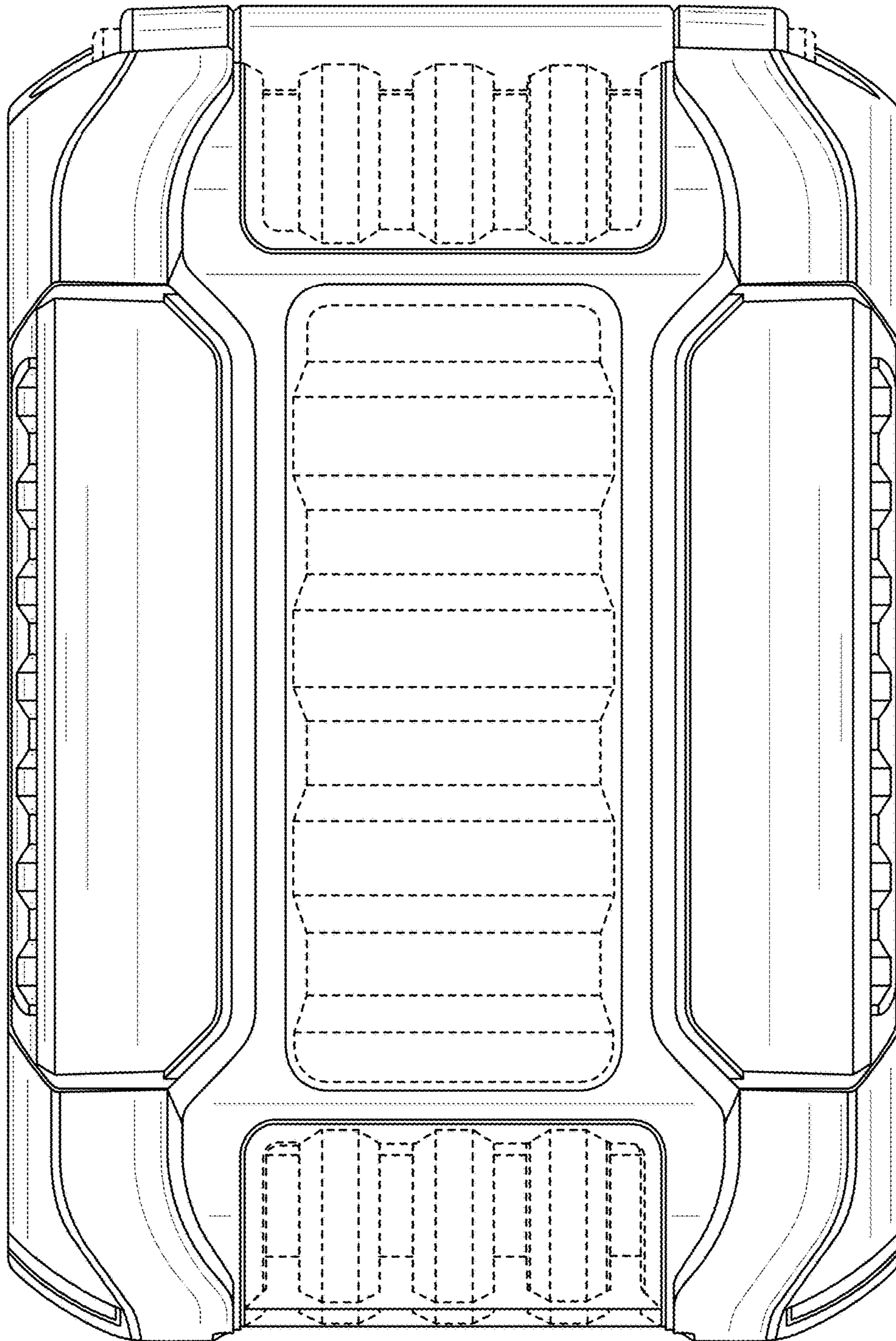


FIG. 13

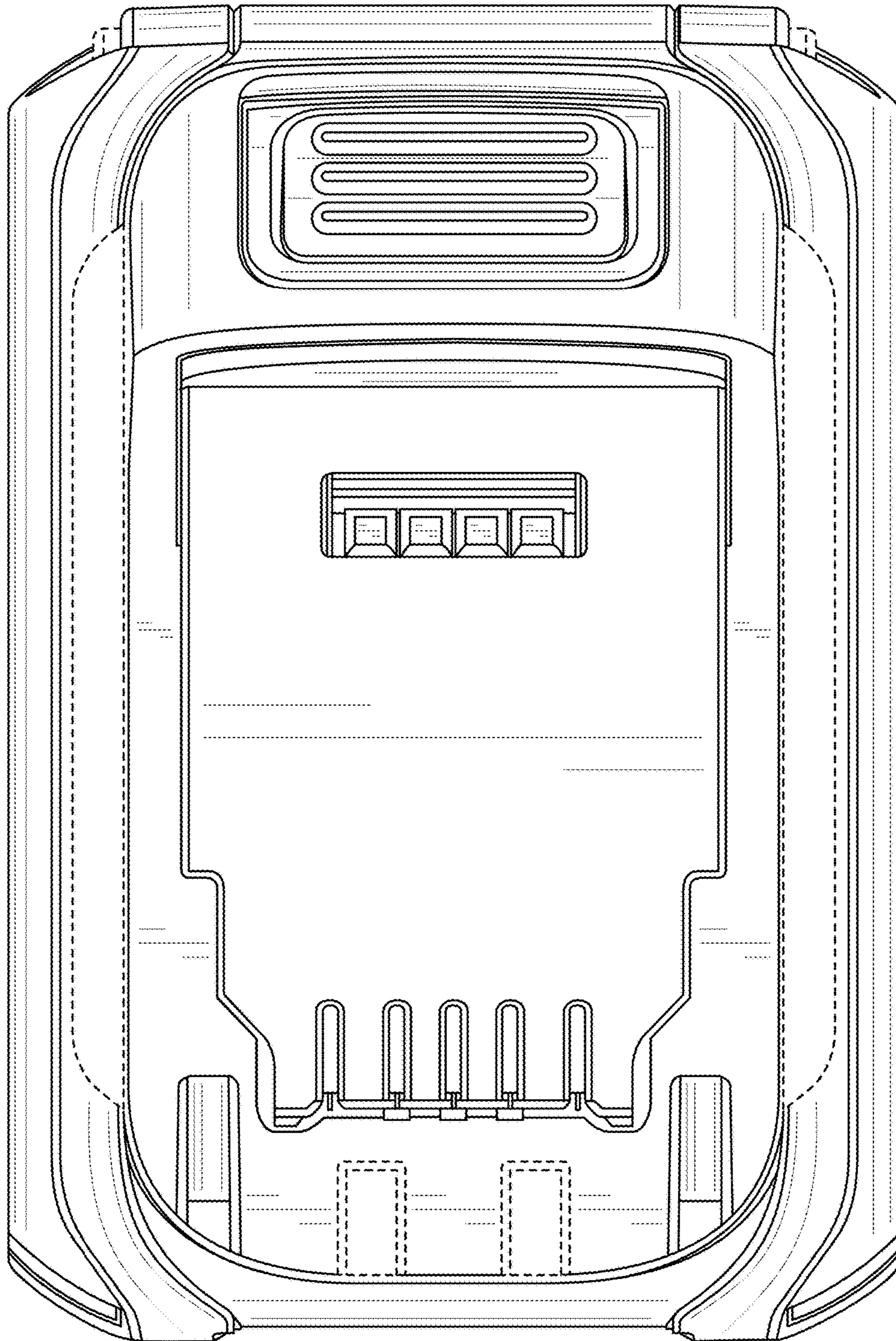


FIG. 14