



US00D797659S

(12) **United States Design Patent** (10) **Patent No.:** **US D797,659 S**
Ugglä et al. (45) **Date of Patent:** **** Sep. 19, 2017**

(54) **POWER BANK WITH DATA STORAGE DEVICE**

(71) Applicant: **Zound Industries International AB**, Stockholm (SE)

(72) Inventors: **Carl Ugglä**, Stockholm (SE); **Susanne Bryngelsson**, Stockholm (SE)

(73) Assignee: **Zound Industries International AB**, Stockholm (SE)

(**) Term: **15 Years**

(21) Appl. No.: **29/532,284**

(22) Filed: **Jul. 3, 2015**

(30) **Foreign Application Priority Data**

Jan. 5, 2015 (EM) 002608323-0002

(51) **LOC (10) Cl.** **13-02**

(52) **U.S. Cl.**
USPC **D13/103; D14/433; D14/365**

(58) **Field of Classification Search**
USPC D14/300, 348, 356, 357, 358, 363, 365, D14/367, 370, 474, 480.1, 480.2, 480.3, D14/483, 496, 162, 168, 203.1, 203.8, D14/299, 240, 433, 435, 435.1, 438, 256; D13/103, 105-108, 123, 133, 135, 137.1, D13/137.4, 147, 154, 183, 184, 199; D8/330, 331, 333, 334, 335, 343, 344; D21/500

CPC G06F 1/266; H02J 7/0042; H02J 7/0052; H02M 7/003; H01R 13/00; H01R 13/46; H01R 13/72; H01R 31/00; H01R 31/06; H01R 31/065

See application file for complete search history.

(56) **References Cited**

U.S. PATENT DOCUMENTS

D301,682 S * 6/1989 Gardenswartz D8/333
D323,102 S * 1/1992 Kipling D8/331

D414,530 S * 9/1999 Rudy D21/500
D423,607 S * 4/2000 Rudy D21/500
D486,154 S * 2/2004 Nishio D14/474
D493,170 S * 7/2004 Ryu D14/365
D532,786 S * 11/2006 Iseki D14/365
D537,818 S * 3/2007 Burton D14/480.1
D570,597 S * 6/2008 Klein D14/484.1
D573,987 S * 7/2008 Dearborn D14/363
D585,060 S * 1/2009 Han D14/358
D588,146 S * 3/2009 Tsuboi D14/356

(Continued)

OTHER PUBLICATIONS

MoJuice Portable Battery Charger. mojuicepowerbank.com (online) 2 pgs. Posted Sep. 20, 2014 [retrieved on Nov. 1, 2016] <http://mojuicepowerbank.com/mojuice-power-bank-portable-battery-charger/>.*

(Continued)

Primary Examiner — Susan Bennett Hattan

Assistant Examiner — Marie Fast Horse

(74) *Attorney, Agent, or Firm* — Alonzo & Associates; Arlyn Alonzo

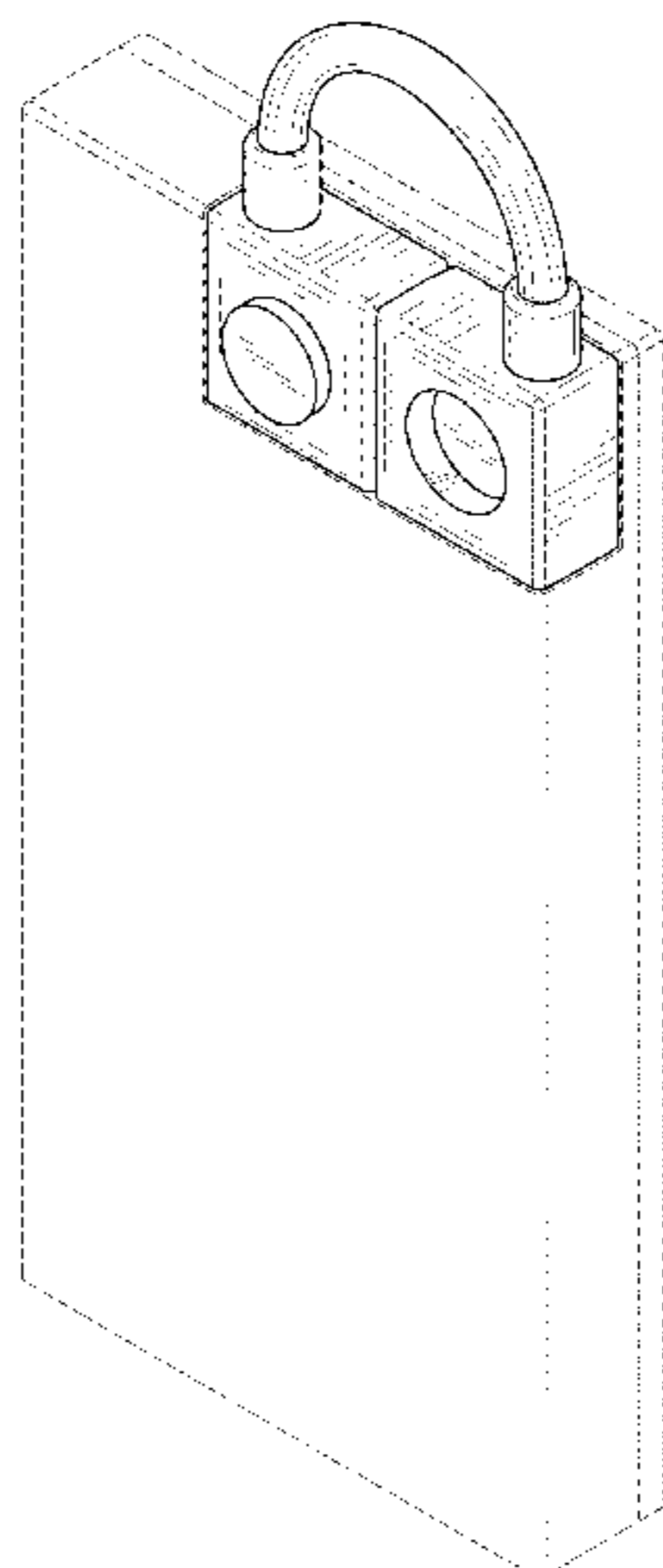
(57) **CLAIM**

The ornamental design for a power bank with data storage device, as shown and described.

DESCRIPTION

FIG. 1 is a front view of a power bank with data storage device attached to a rectangular shaped device;
FIG. 2 is a back view thereof;
FIG. 3 is a top view thereof;
FIG. 4 is a bottom view thereof;
FIG. 5 is a left side view thereof;
FIG. 6 is a right side view thereof; and,
FIG. 7 is a perspective view thereof.
The broken lines in the drawings depict environmental subject matter only and form no part of the claim.

1 Claim, 5 Drawing Sheets



(56)

References Cited

U.S. PATENT DOCUMENTS

7,578,698 B1 * 8/2009 Thia H01R 13/60
439/456
7,746,029 B2 * 6/2010 Toya H02J 7/0042
320/107
D624,747 S * 10/2010 McSweyn D14/480.5
D628,572 S * 12/2010 Wang D14/356
D636,337 S * 4/2011 Smith D13/147
D645,049 S * 9/2011 Faranda D13/108
8,043,122 B1 * 10/2011 Cho H01R 31/005
439/501
D656,096 S * 3/2012 Sasada D13/108
D659,094 S * 5/2012 Brand D13/108
D659,642 S * 5/2012 Chen D13/133
D663,684 S * 7/2012 Yang D13/108
D663,685 S * 7/2012 Yang D13/108
D673,908 S * 1/2013 Koch D13/108
D680,063 S * 4/2013 Sasada D13/103
D683,350 S * 5/2013 Jarosinski D11/3
8,491,330 B2 * 7/2013 McSweyn H01R 13/72
439/501
D694,234 S * 11/2013 McParland D14/365
D694,703 S * 12/2013 Faro D13/103
D697,867 S * 1/2014 Weinstein D13/108
D702,632 S * 4/2014 Salmon D13/108
D702,691 S * 4/2014 Lee D14/435.1
D706,248 S * 6/2014 Myung D14/240
D706,277 S * 6/2014 Fukuoka D14/480.1
8,758,045 B2 * 6/2014 McSweyn H01R 13/60
439/501
D716,224 S * 10/2014 Blumin D13/108
D716,309 S * 10/2014 Krenkler D14/433
8,870,601 B2 * 10/2014 Lee H01R 31/06
439/131
D721,083 S * 1/2015 Kostrzewski D14/474
D721,646 S * 1/2015 Kim D13/103
8,936,489 B2 * 1/2015 Liao H01R 27/02
439/638
D722,961 S * 2/2015 Lin D13/103
D727,257 S * 4/2015 Miller D13/103
D727,907 S * 4/2015 Higashi D14/433
D730,903 S * 6/2015 Langhammer D14/433
D733,043 S * 6/2015 Hasbrook D13/103
D740,808 S * 10/2015 Kono D14/365
9,153,985 B1 * 10/2015 Gjovik H02J 7/0042
D742,311 S * 11/2015 Miller D13/103
D742,312 S * 11/2015 Gupta D13/103
D742,823 S * 11/2015 Nitz D13/103

D743,333 S * 11/2015 Nomi D13/108
D743,398 S * 11/2015 Smith D14/433
9,318,915 B2 * 4/2016 Miller H02J 7/025
D755,185 S * 5/2016 Khanampornpan D14/433
D758,307 S * 6/2016 Stump D13/108
D758,366 S * 6/2016 Peng D14/363
D758,371 S * 6/2016 Daniel D14/435.1
D760,720 S * 7/2016 Laffon de Mazieres D14/433
9,385,549 B2 * 7/2016 Miller H02J 7/0042
D762,566 S * 8/2016 Tea D13/103
D764,404 S * 8/2016 Lau D13/103
D765,593 S * 9/2016 Hoshikawa D13/103
9,438,298 B2 * 9/2016 Abramovich H04B 1/3888
D769,188 S * 10/2016 Miller D13/107
2003/0228792 A1 * 12/2003 Lanni H01R 31/065
439/528
2006/0252305 A1 * 11/2006 Le H01R 13/60
439/528
2010/0279518 A1 * 11/2010 Watanabe H01R 13/44
439/40
2012/0238132 A1 * 9/2012 McSweyn H01R 13/72
439/501
2014/0295698 A1 * 10/2014 McSweyn H01R 13/60
439/501
2016/0049816 A1 * 2/2016 Yang G06F 1/266
320/107
2016/0197445 A1 * 7/2016 Bryngelsson H01R 13/72
439/501

OTHER PUBLICATIONS

Zound Power Supply Unit and USB Adapter. (Design—© Questel). orbit.com [online PDF] 9 pages. Print Dates range from Apr. 27, 2016 to Aug. 3, 2016 <https://sobjprd.questel.fr/export/QPTUJ214/pdf2/ae95caf3-5e0f-49e1-812d-f35294637d25-231703.pdf>.*
PhotoFast MemoriesCable. coolthings.com. (online) 8 pgs. Posted July 23, 2015 [retrieved on Nov. 2, 2016] <http://www.coolthings.com/memoriescable-iphone-charging-cable-storage/>.*
Skiva Cord2Go Lightning KeyChain. amazon.com (online) 2 pgs. Available as early as Jun. 10, 2015—See review by Michelle H with pictures [retrieved on Nov. 2, 2016] https://www.amazon.com/Certified-Cord2Go-Lightning-KeyChain-Carabiner/dp/B00WQRK0ZK/ref=cm_cr_arp_d_product_top?ie=UTF8.*
Sonys DSD—capable PHA-2 portable headphone amp_DAC—p. 27. head-fi.org. (online) 10 pgs. Thread Posted Jan. 21, 2014 [retrieved on Nov. 2, 2016] <http://www.head-fi.org/t/680208/sonys-dsd-capable-pha-2-portable-headphone-amp-dac/390>.*

* cited by examiner

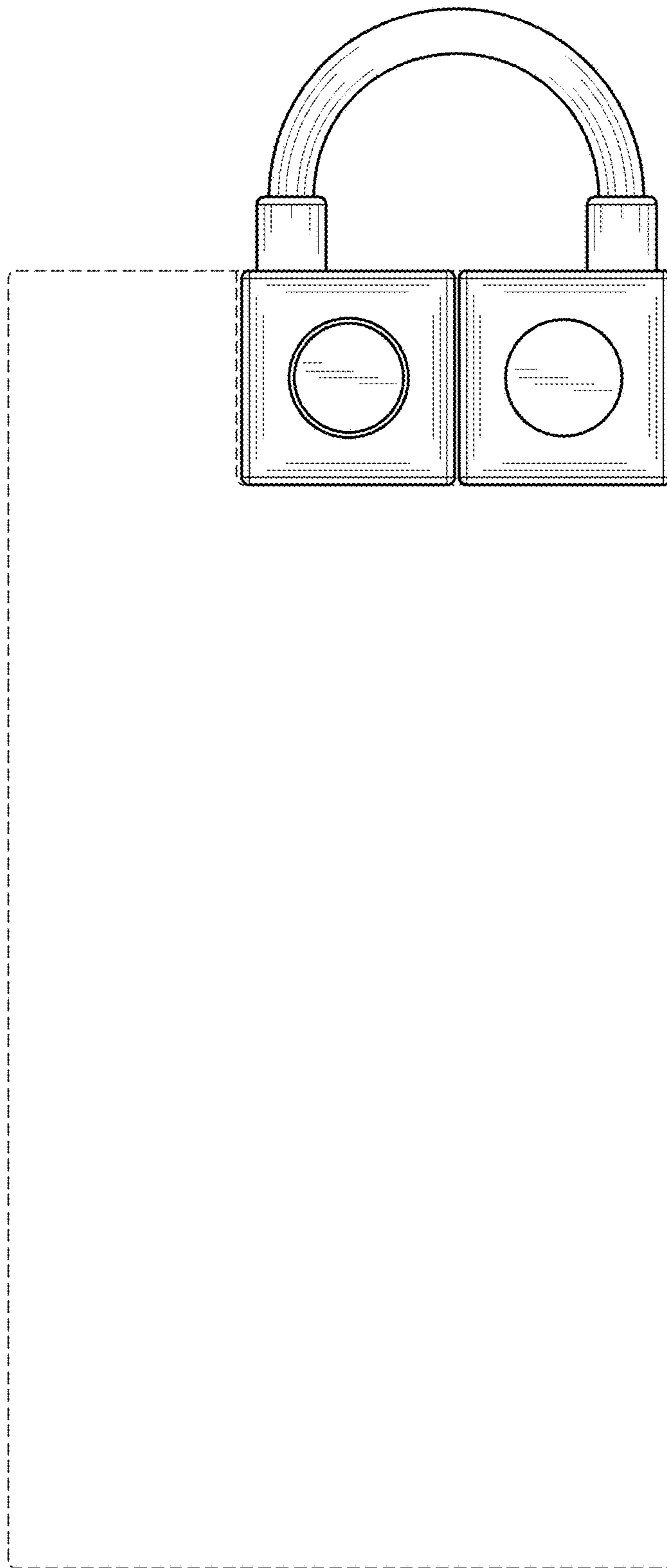


FIG. 1

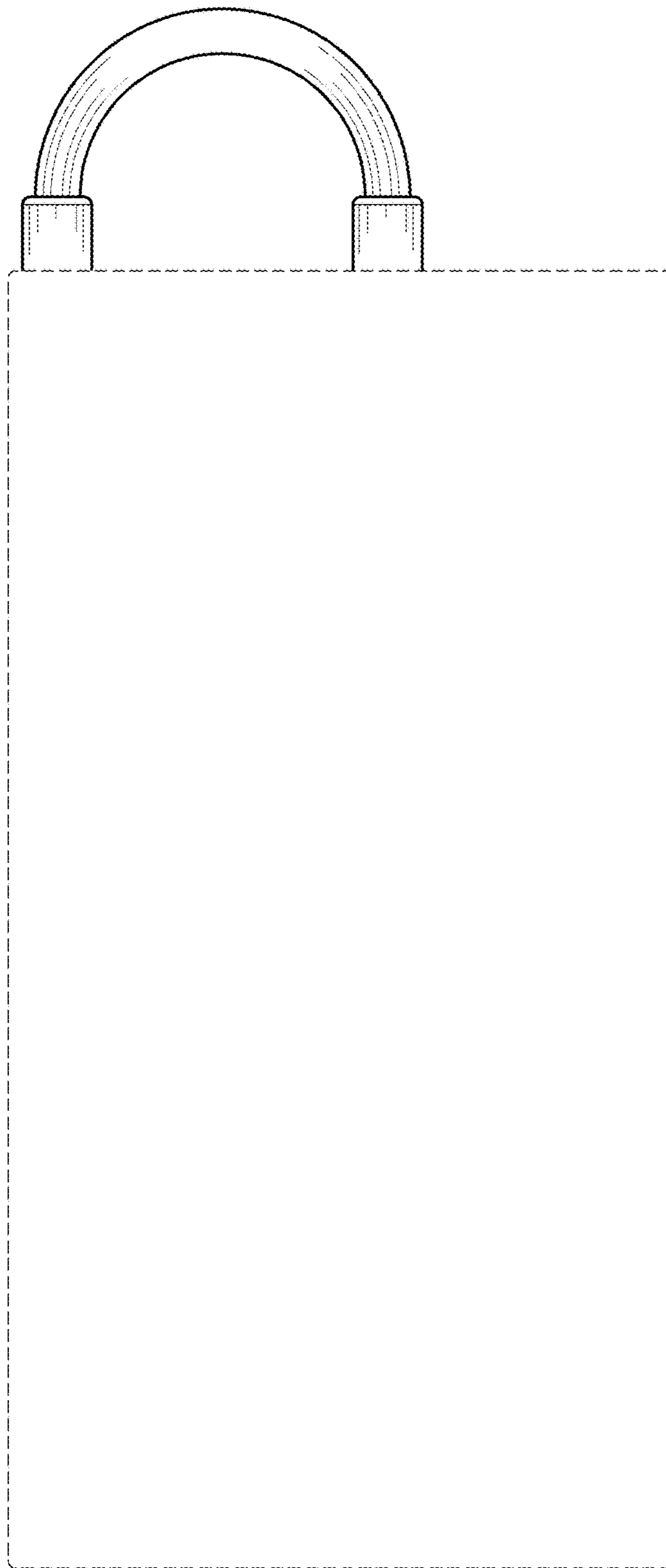


FIG. 2

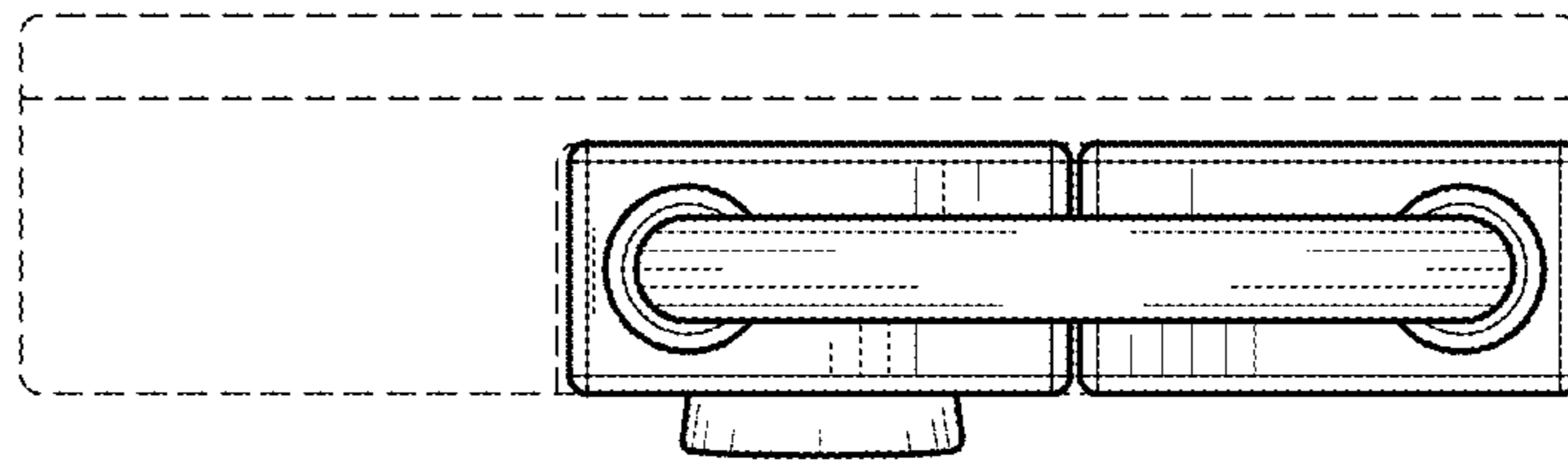


FIG. 3

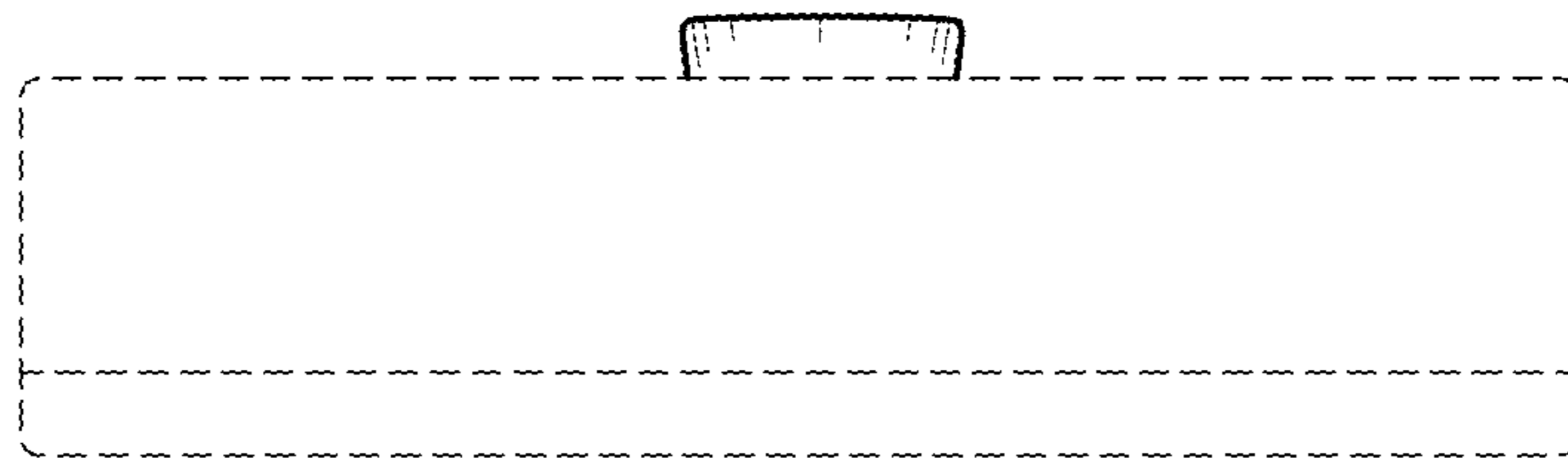


FIG. 4



FIG. 5

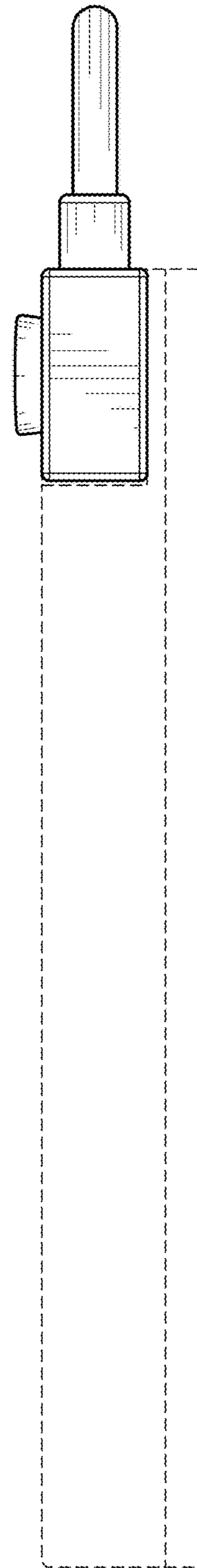


FIG. 6

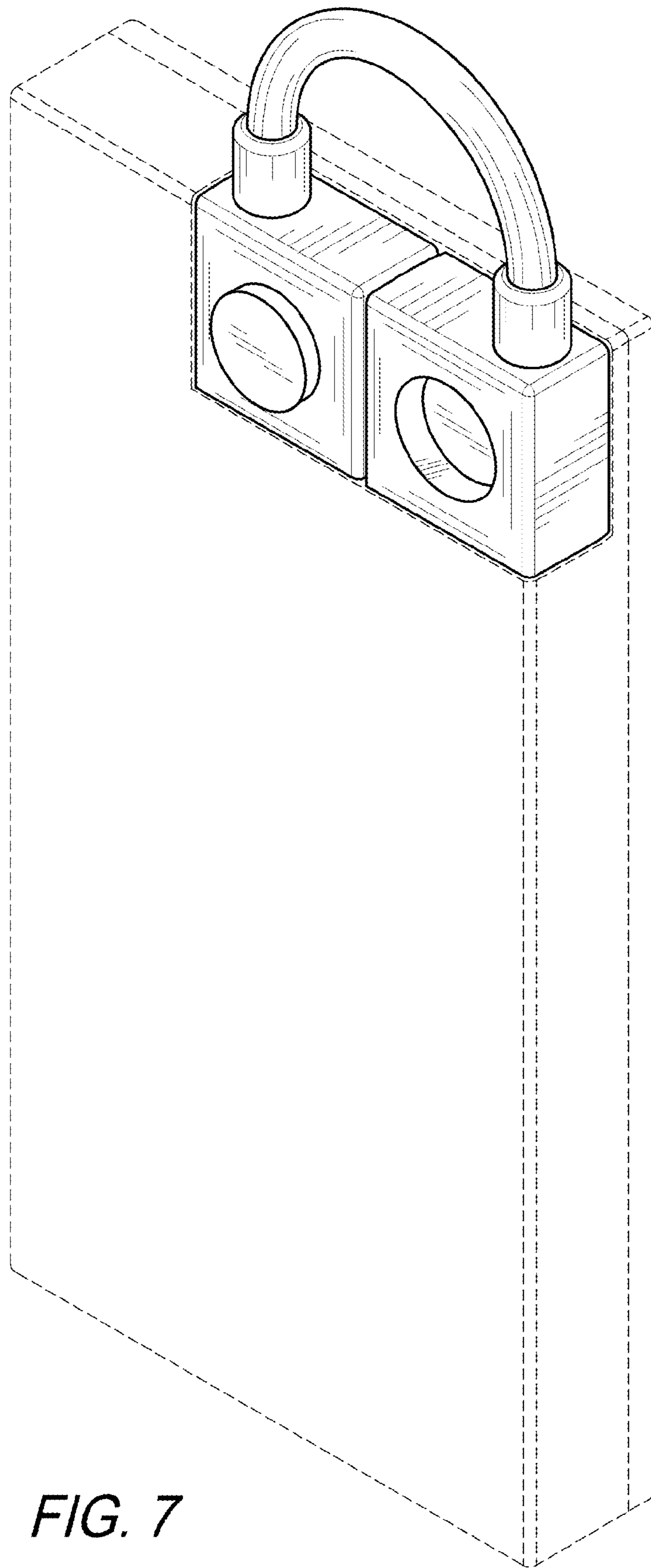


FIG. 7