



US00D797657S

(12) **United States Design Patent** (10) **Patent No.:** **US D797,657 S**
Lakamp (45) **Date of Patent:** **** Sep. 19, 2017**

(54) **CONFIGURABLE SOLAR-POWERED UTILITY TOWER**

(71) Applicant: **Totem Power, Inc.**, Bedford, NY (US)

(72) Inventor: **Brian D. Lakamp**, Bedford, NY (US)

(73) Assignee: **Totem Power, Inc.**, New York, NY (US)

(**) Term: **15 Years**

(21) Appl. No.: **29/555,711**

(22) Filed: **Feb. 24, 2016**

(51) **LOC (10) Cl.** **13-02**

(52) **U.S. Cl.**
USPC **D13/102**

(58) **Field of Classification Search**
USPC D10/104.1; D13/101, 102, 103, 107, D13/109, 118, 119, 184, 199; D14/371, D14/432, 439, 441, 447, 451
CPC .. F21S 8/086; F21S 8/088; F21S 9/032; F21S 9/035; H01L 31/02008; H01L 31/0201; H01L 31/042; F24J 2002/1019; F24J 2002/1004; F24J 2/07; F24J 2/22; F24J 2/32; F24J 2/523; F24J 2/5232; F24J 2/5237; Y02E 10/40; Y02E 10/41; Y02E 10/42

See application file for complete search history.

(56) **References Cited**

U.S. PATENT DOCUMENTS

D341,221 S *	11/1993	Elazari	D26/68
D680,949 S *	4/2013	Swatek	D13/102
D688,621 S *	8/2013	Mozzardi	D13/102
D701,828 S *	4/2014	Garrett-Schesch	D13/102
D728,466 S *	5/2015	Ehrsam	D13/102
9,209,650 B2 *	12/2015	Nita	H02J 7/355
D758,036 S *	5/2016	Hudson	D32/60
D768,282 S *	10/2016	Cardoso	D23/386

2011/0005573 A1 *	1/2011	Chang	F24J 2/541 136/245
2011/0133689 A1 *	6/2011	Uchihashi	H02J 7/0054 320/101
2011/0228523 A1 *	9/2011	Zheng	F21S 9/03 362/184

(Continued)

OTHER PUBLICATIONS

Totem Reference (available online Nov. 26, 2016) Retrieved from the internet Dec. 12, 2016, retrieved from the internet URL: <http://www.totempower.net/>.*

Primary Examiner — Cathron Brooks

Assistant Examiner — Richard Kearney

(74) *Attorney, Agent, or Firm* — Pearl Cohen Zedek Latzer Baratz LLP

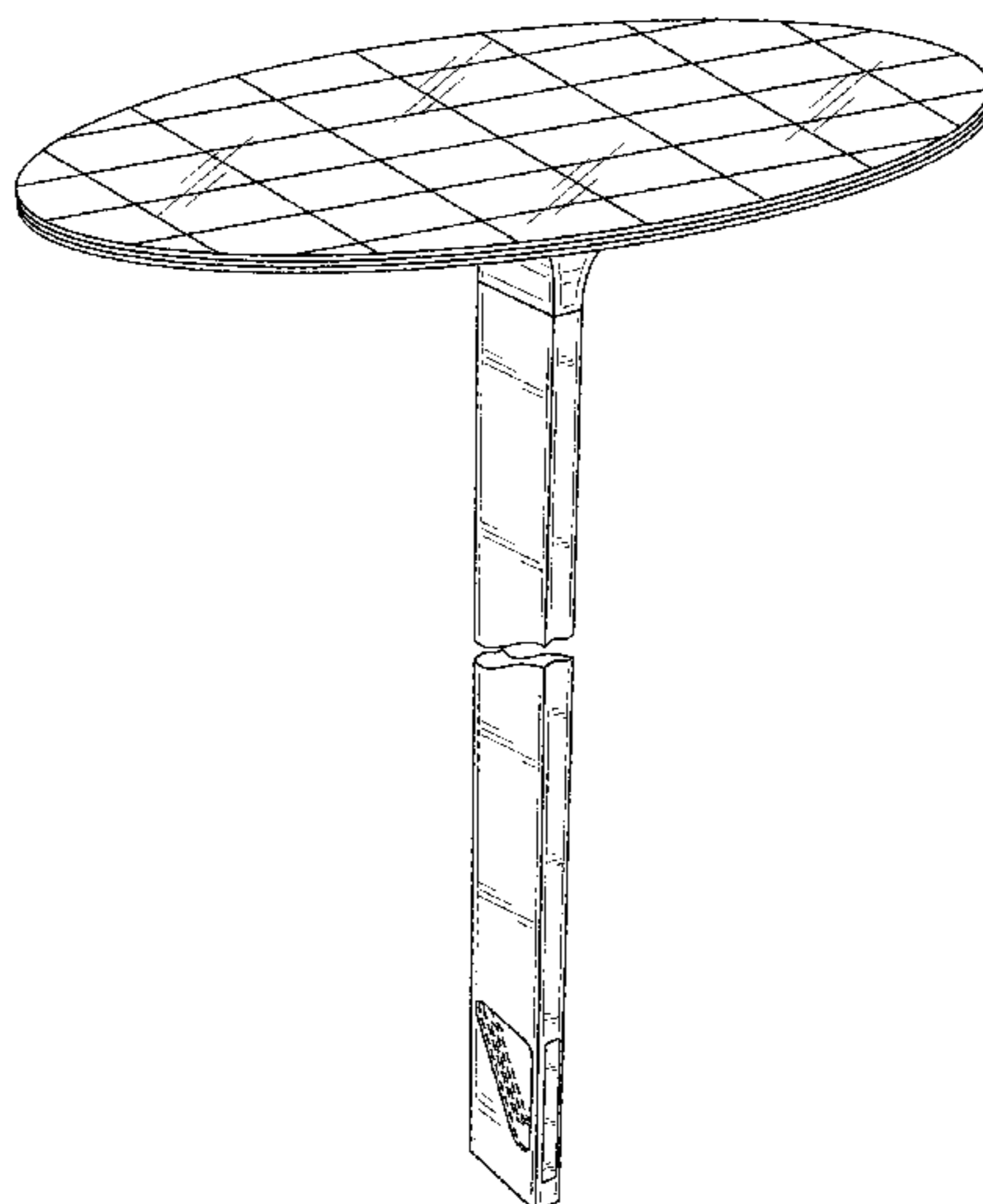
(57) **CLAIM**

The ornamental design for a configurable solar-powered utility tower, as shown and described.

DESCRIPTION

FIG. 1 is a perspective view of a configurable solar-powered utility tower, showing my new design;
FIG. 2 is a left side elevation view of the configurable solar-powered utility tower, showing my new design;
FIG. 3 is right side elevation view of the configurable solar-powered utility tower, showing my new design;
FIG. 4 is a front elevation view of the configurable solar-powered utility tower, showing my new design;
FIG. 5 is a rear elevation view of the configurable solar-powered utility tower, showing my new design;
FIG. 6 is a top plan view of the configurable solar-powered utility tower, showing my new design; and,
FIG. 7 is a bottom plan view of the configurable solar-powered utility tower, showing my new design.
The broken lines shown in the drawings illustrate portions of the configurable solar-powered utility tower that form no part of the claimed design.

1 Claim, 6 Drawing Sheets



(56)

References Cited

U.S. PATENT DOCUMENTS

2013/0139808 A1* 6/2013 Lin F24J 2/02
126/681

* cited by examiner

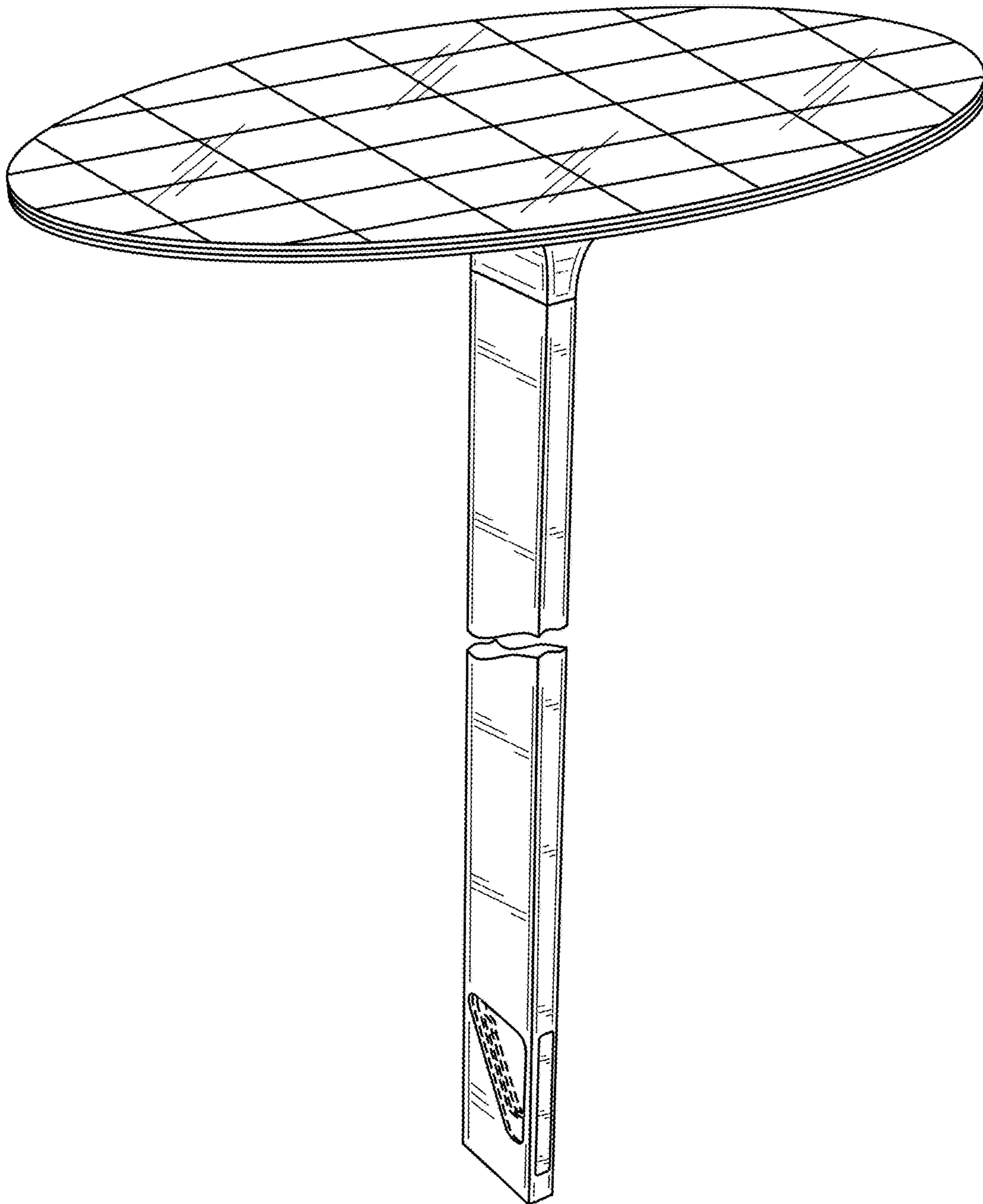


FIG. 1

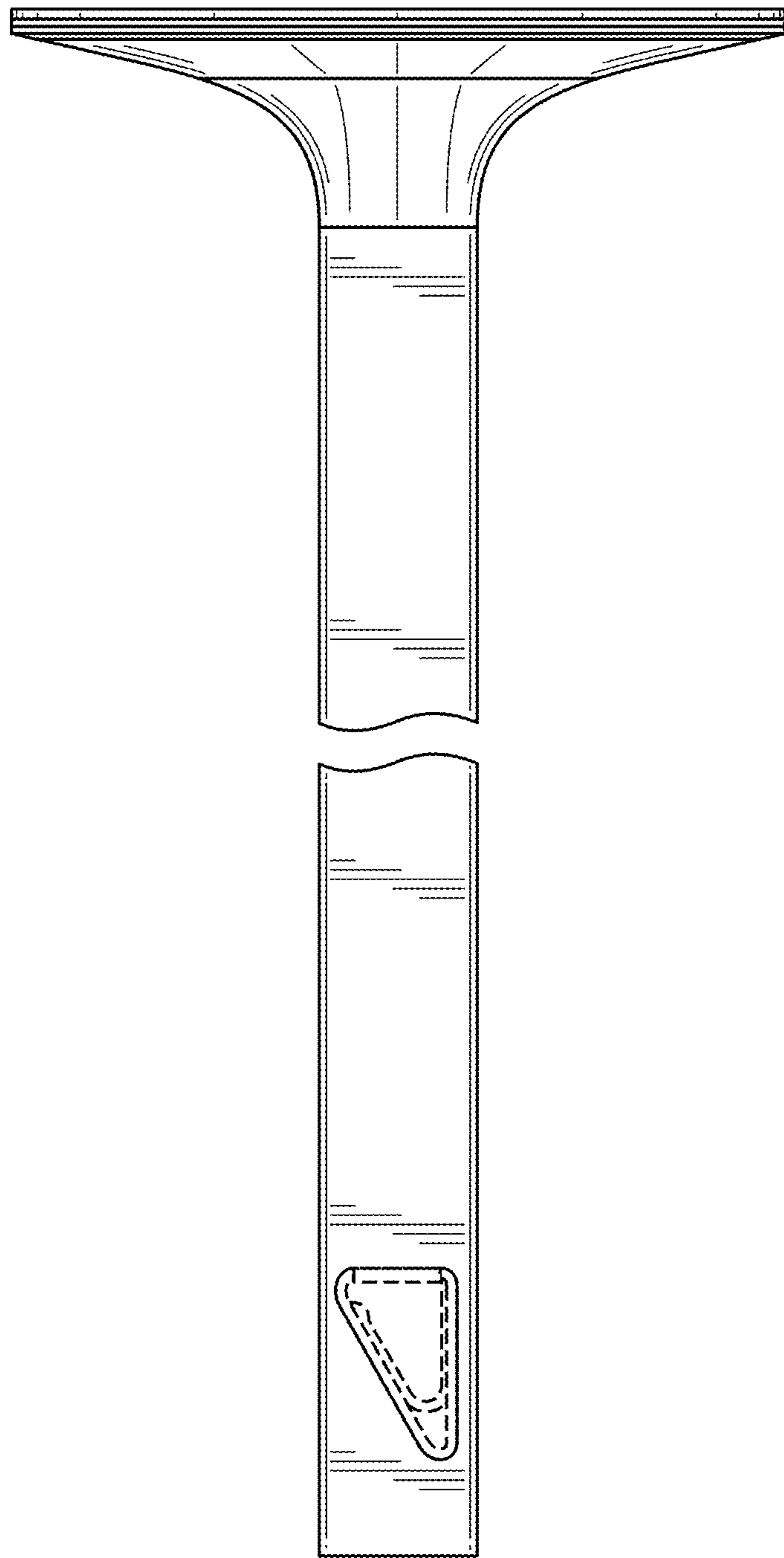


FIG. 2

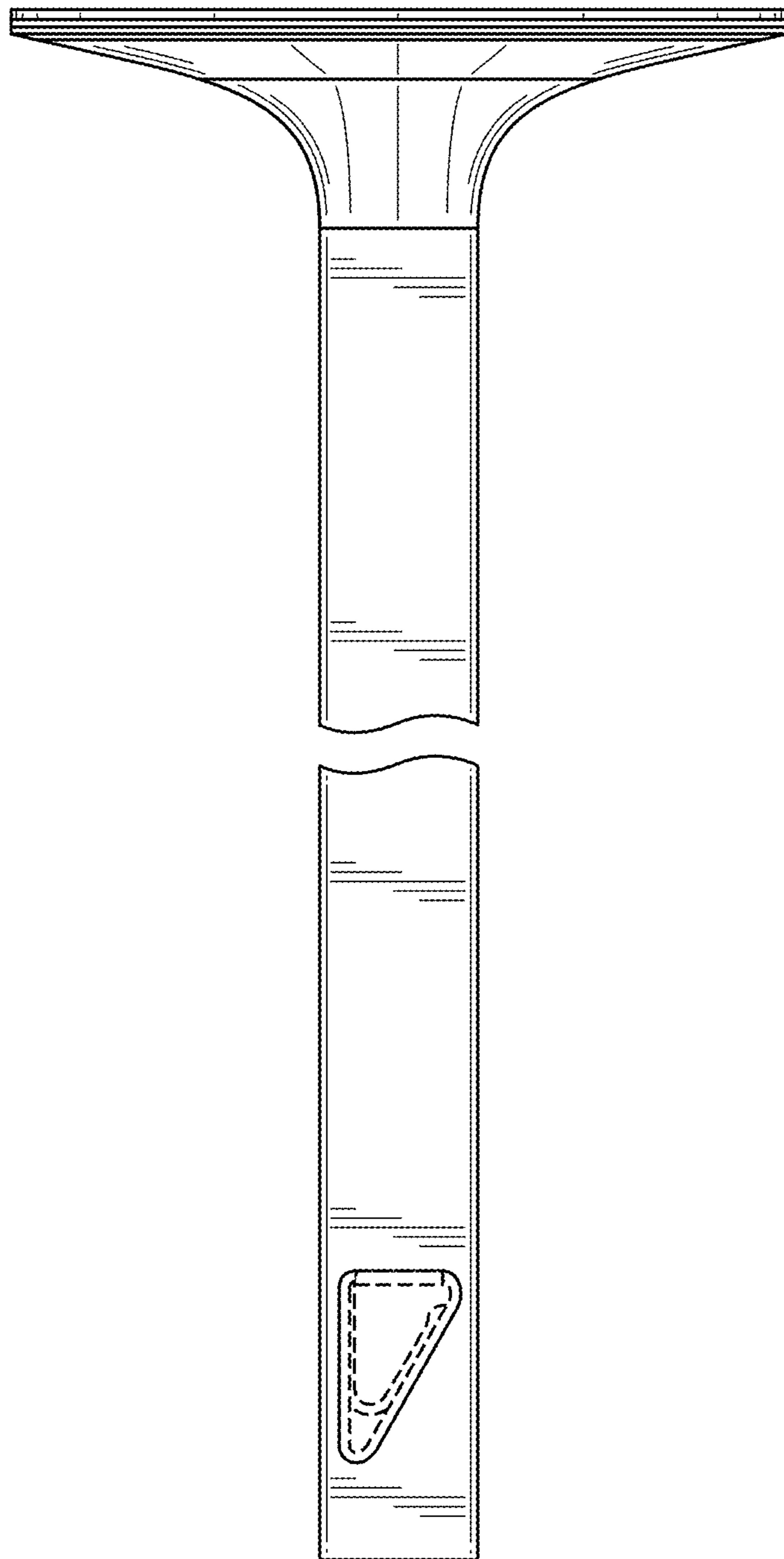


FIG. 3

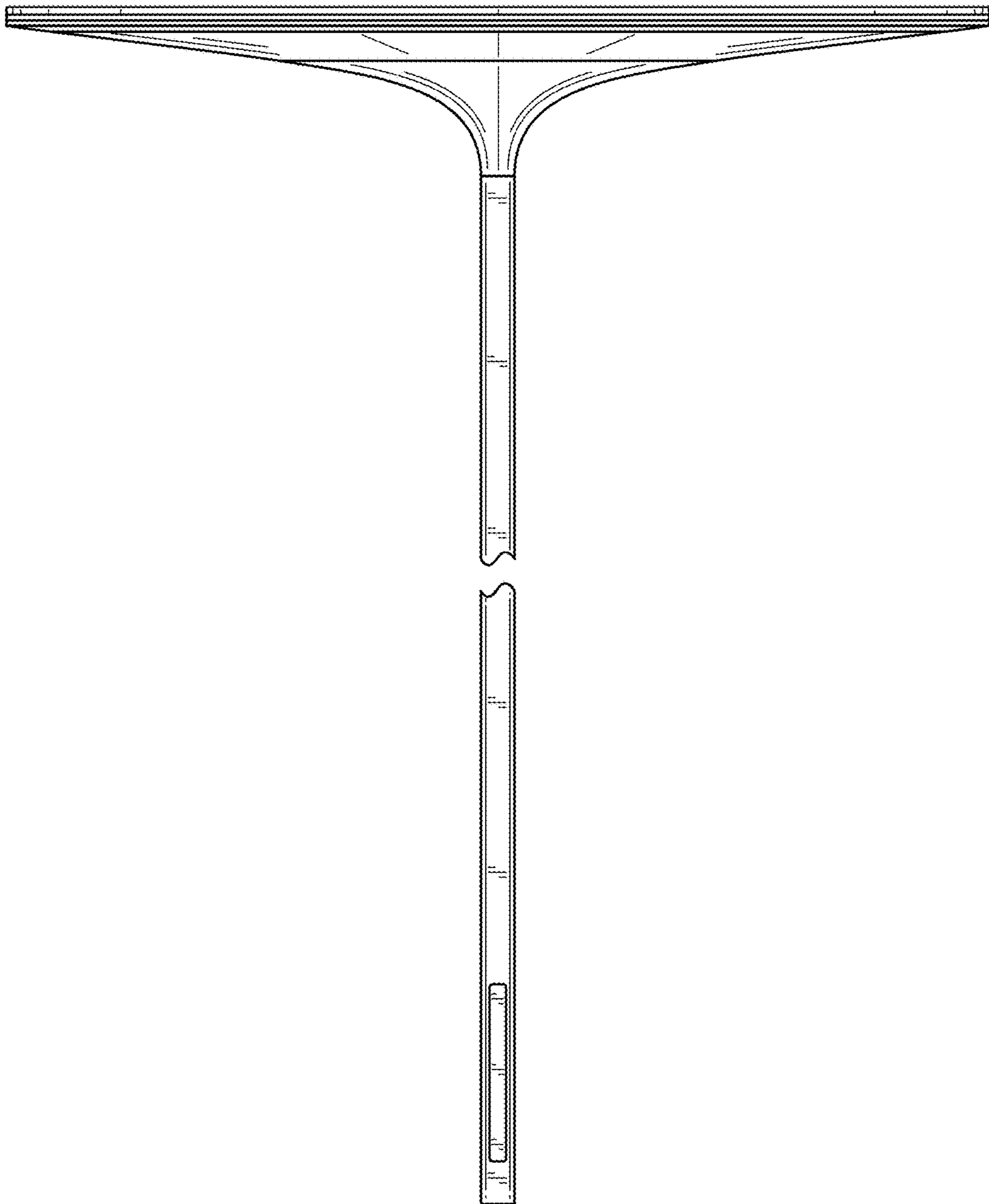


FIG. 4

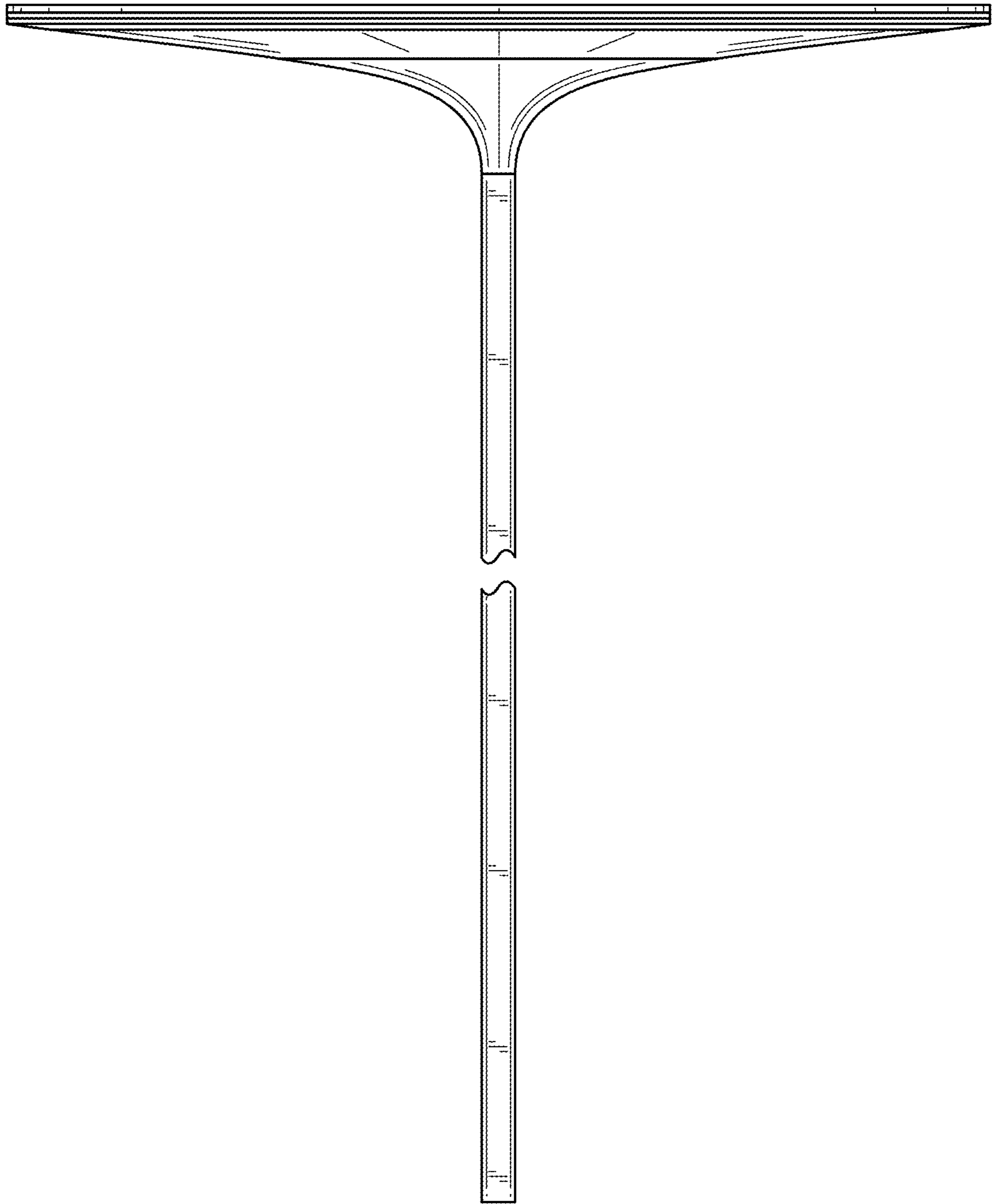


FIG. 5

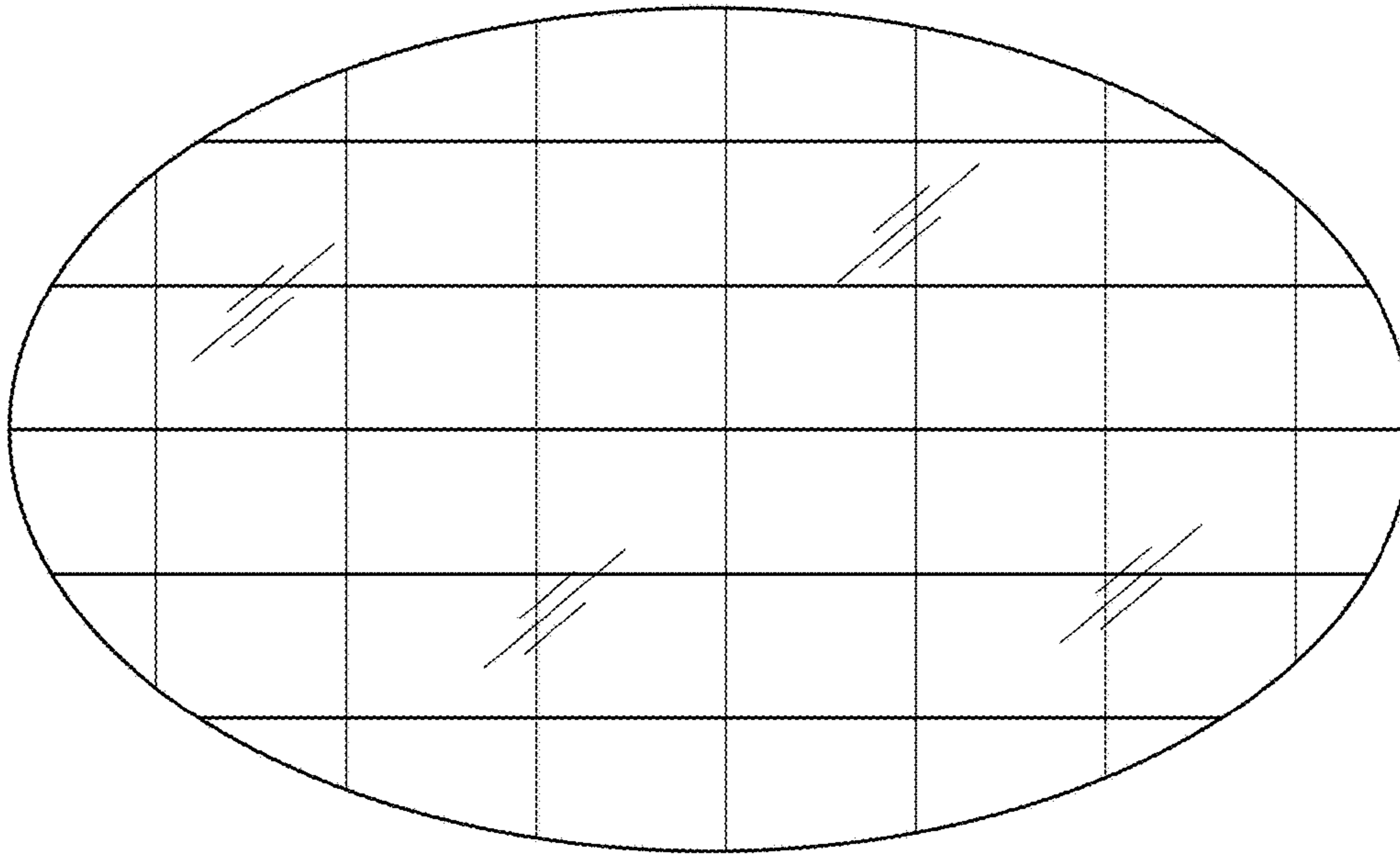


FIG. 6

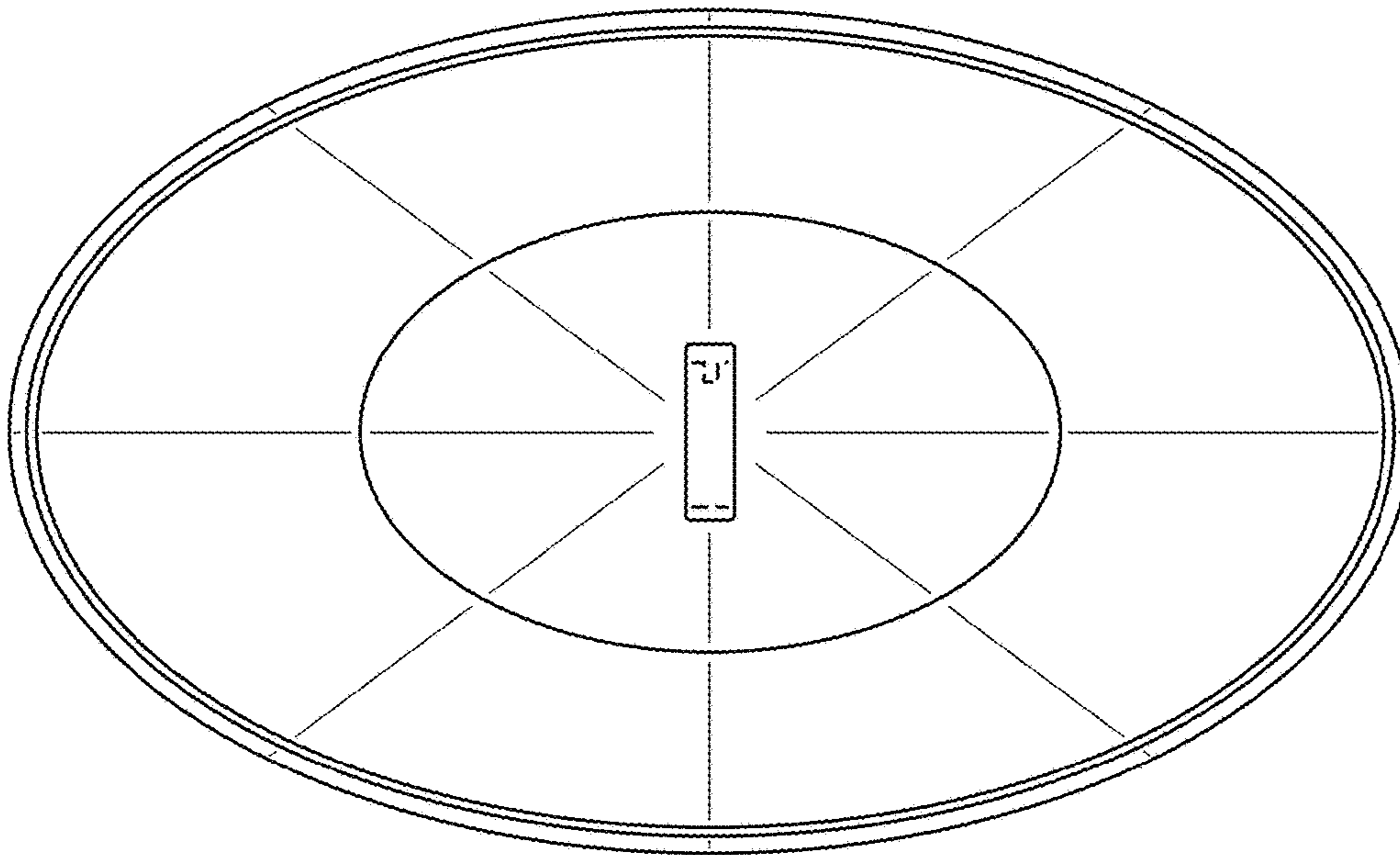


FIG. 7