



US00D797650S

(12) **United States Design Patent**
Bucher et al.

(10) **Patent No.:** **US D797,650 S**

(45) **Date of Patent:** **** Sep. 19, 2017**

- (54) **TIRE**
- (71) Applicant: **The Goodyear Tire & Rubber Company, Akron, OH (US)**
- (72) Inventors: **Frank Helmut Bucher, Konz (DE); Frederic Ngo, Blaschette (LU); Mihir Singh Meetarbhan, Luxembourg (LU); Marco Johannes Oliver Horsch, Trierwiler (DE); Sebastien Willy Fontaine, Vichten (LU); Armand Rene Gabriel Leconte, Bigonville (LU)**
- (73) Assignee: **The Goodyear Tire & Rubber Company, Akron, OH (US)**
- (**) Term: **15 Years**
- (21) Appl. No.: **29/575,060**
- (22) Filed: **Aug. 22, 2016**
- (51) **LOC (10) Cl.** **12-15**
- (52) **U.S. Cl.**
USPC **D12/505**
- (58) **Field of Classification Search**
USPC D12/505, 519, 521-523, 531-532
CPC B60C 1/0016; B60C 3/06; B60C 9/17;
B60C 11/0306; B60C 11/0302; B60C 11/11; B60C 2011/0346; B60C 2011/0365; B60C 2011/0369; B60C 2011/0381
See application file for complete search history.

D601,939 S	10/2009	Fontaine et al.	D12/519
D606,002 S *	12/2009	Yamakawa	D12/519
D606,925 S	12/2009	Shavers et al.	D12/521
D606,926 S	12/2009	Heinen et al.	D12/521
D610,962 S	3/2010	Allison et al.	D12/532
D613,239 S	4/2010	Harvey et al.	D12/588

(Continued)

Primary Examiner — Barbara Fox
Assistant Examiner — Messina L Smith
(74) *Attorney, Agent, or Firm* — Robert N. Lipsik

(57) **CLAIM**

The ornamental design for a tire, as shown and described.

DESCRIPTION

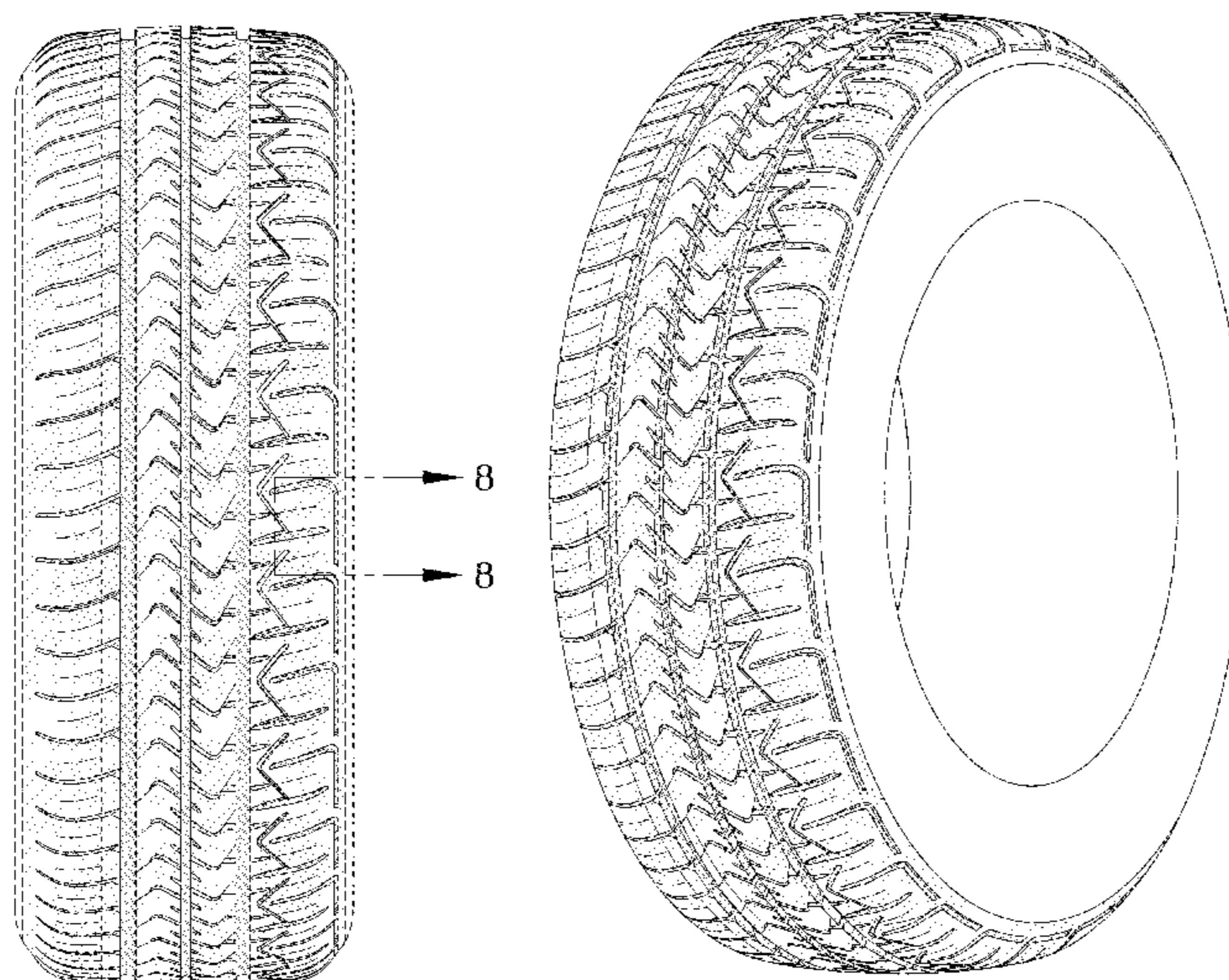
FIG. 1 is a perspective view of a tire showing our new design, it being understood that the pattern repeats uniformly throughout the circumference of the tread;
 FIG. 2 is a front elevational view thereof;
 FIG. 3 is a right side elevational view thereof;
 FIG. 4 is a left side elevational view thereof;
 FIG. 5 is an enlarged fragmentary front elevational view thereof;
 FIG. 6 is a perspective view of a second embodiment of a tire showing our new design, it being understood that the pattern repeats uniformly throughout the circumference of the tread;
 FIG. 7 is a front elevational view of a second embodiment, it being understood that an enlarged fragmentary view thereof would be substantially identical to that shown in FIG. 5, with the exception of the inclusion of the sidewall in solid lines; and,
 FIG. 8 is a cross-sectional view taken along line 8-8 of FIG. 5.

In the drawings, the broken lines showing of the sidewall, inner bead and the peripheral boundary between the tire tread and the sidewall in FIGS. 1 through 5 depict environmental subject matter and form no part of the claimed design.

1 Claim, 8 Drawing Sheets

(56) **References Cited**
U.S. PATENT DOCUMENTS

D390,817 S	2/1998	Graas et al.	D12/147
D473,513 S	4/2003	Welbes	D12/588
D577,655 S *	9/2008	Heinen	D12/521
D580,348 S	11/2008	Fontaine et al.	D12/591
D581,346 S	11/2008	Shondel et al.	D12/521
D595,642 S	7/2009	Fontaine et al.	D12/582
D600,193 S	9/2009	Nukala et al.	D12/521



(56)

References Cited

U.S. PATENT DOCUMENTS

D624,870 S	10/2010	Fontaine et al.	D12/517
D635,911 S	4/2011	Sieber et al.	D12/521
D637,144 S	5/2011	Shinohara	D12/588
D639,719 S	6/2011	Harvey et al.	D12/521
D639,721 S	6/2011	Berryman et al.	D12/532
D651,161 S	12/2011	Umstot et al.	D12/519
D659,083 S	5/2012	Nguyen et al.	D12/587
D666,137 S	8/2012	Sieber et al.	D12/517
D668,600 S *	10/2012	Pingenat	D12/584
D684,920 S *	6/2013	Maxwell	D12/521
D694,702 S	12/2013	Leconte et al.	D12/521
D696,621 S	12/2013	Harvey et al.	D12/516
D706,708 S *	6/2014	Fontaine	D12/583
D710,290 S	8/2014	Leconte	D12/517
D733,636 S	7/2015	Janesh et al.	D12/521
D743,875 S	11/2015	Shondel	D12/532
D764,391 S *	8/2016	Shen	D12/584
D770,364 S *	11/2016	Nakamura	D12/531

* cited by examiner

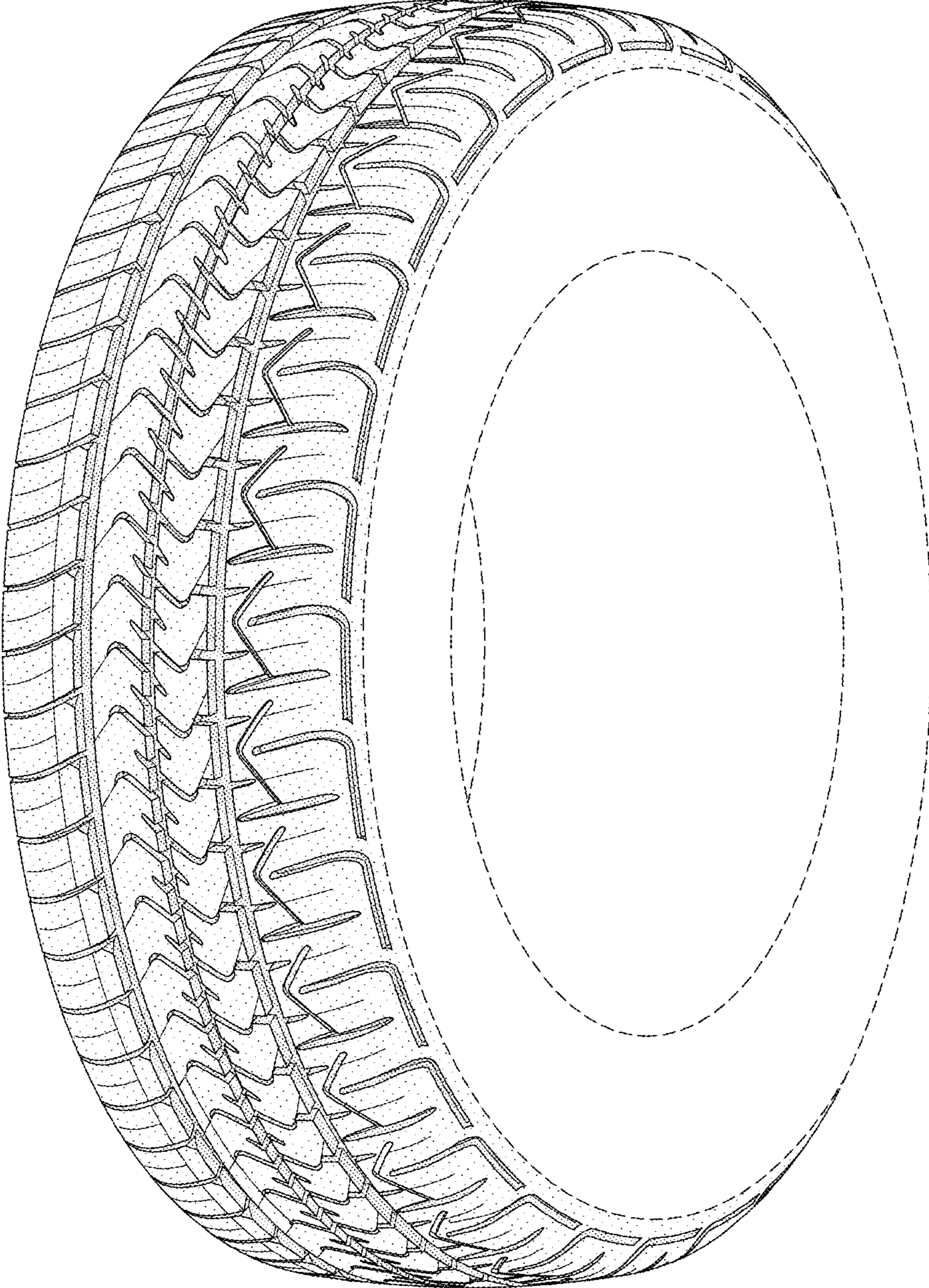


FIG-1

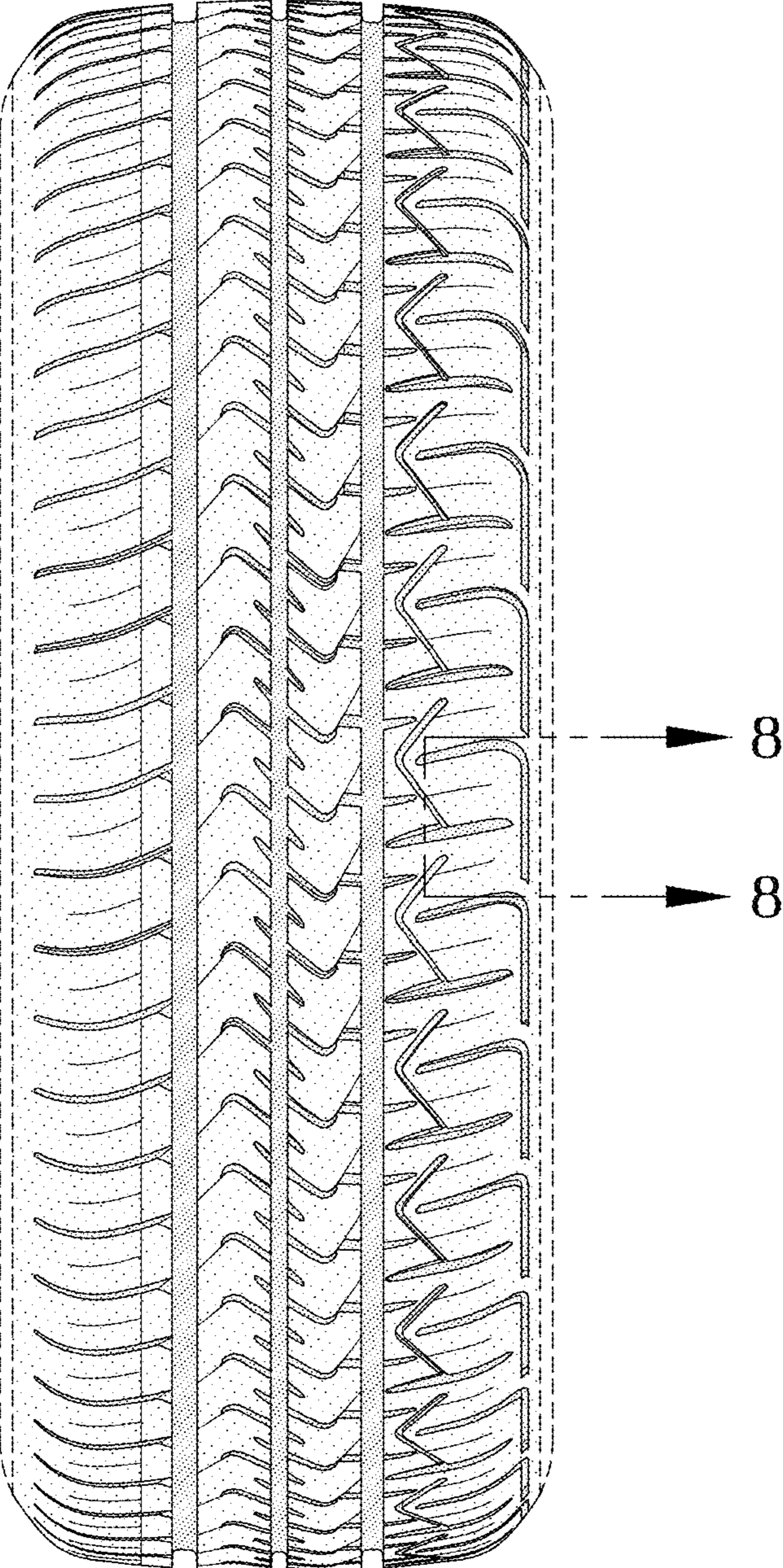


FIG-2

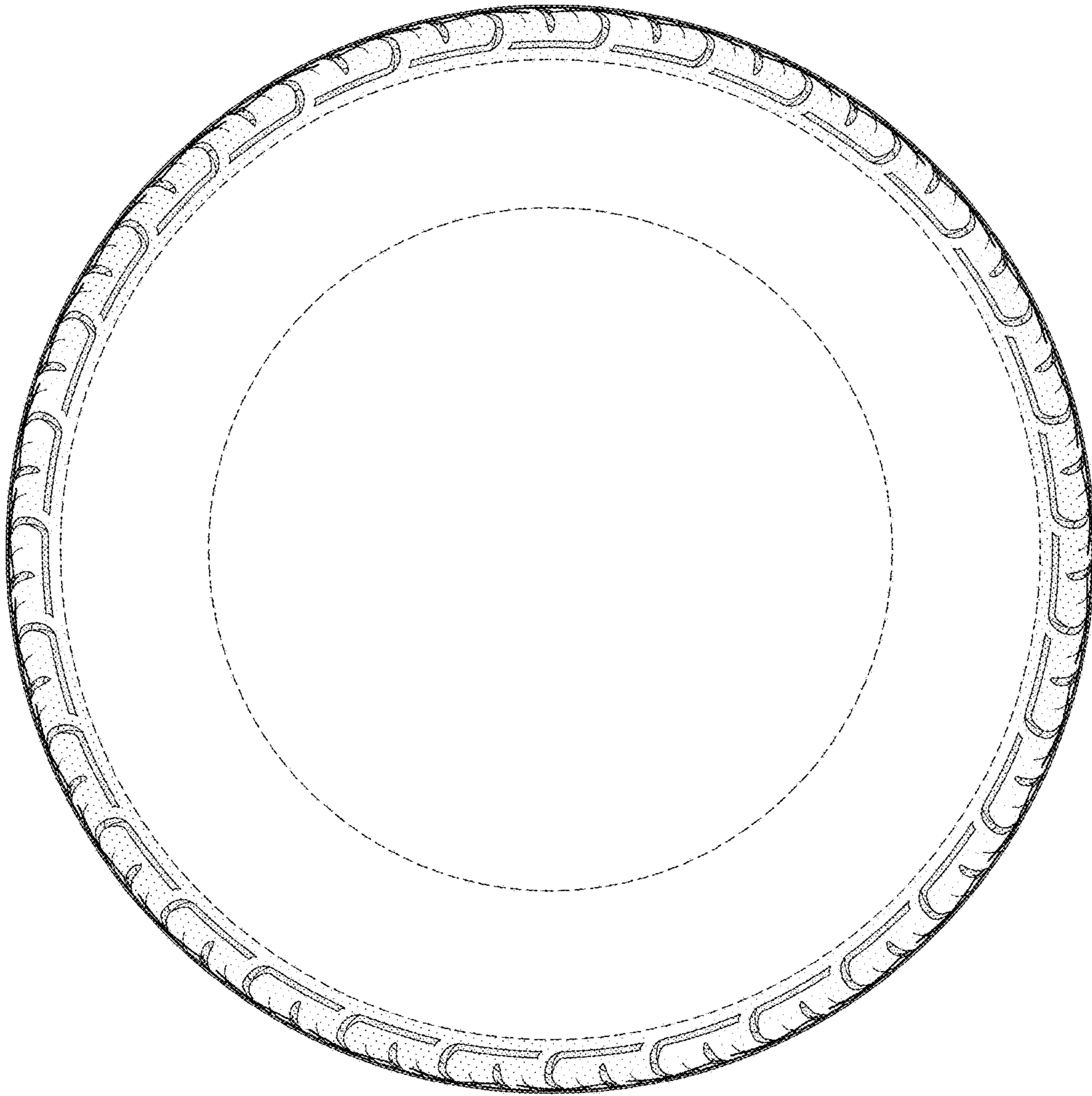


FIG-3

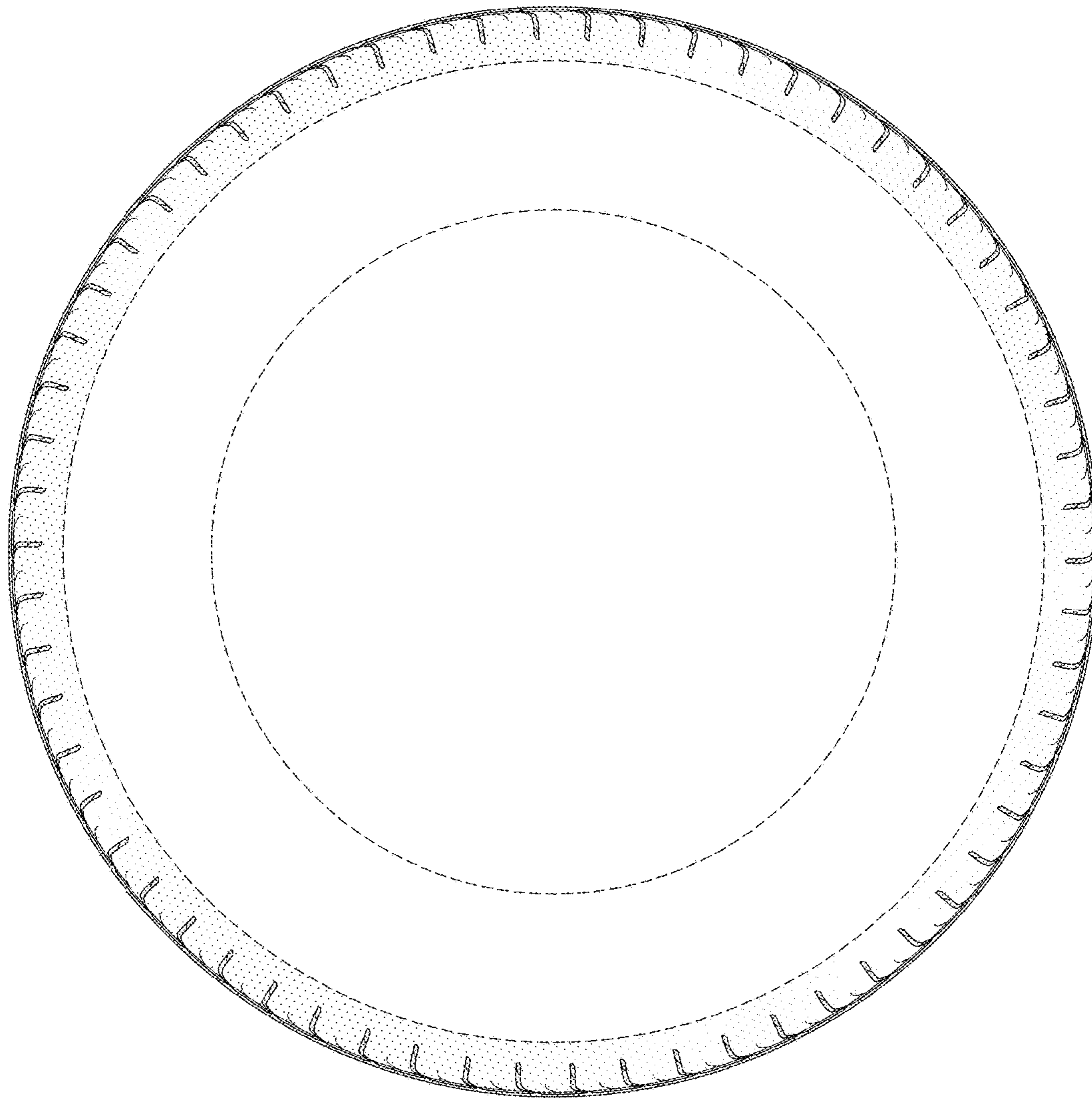


FIG-4

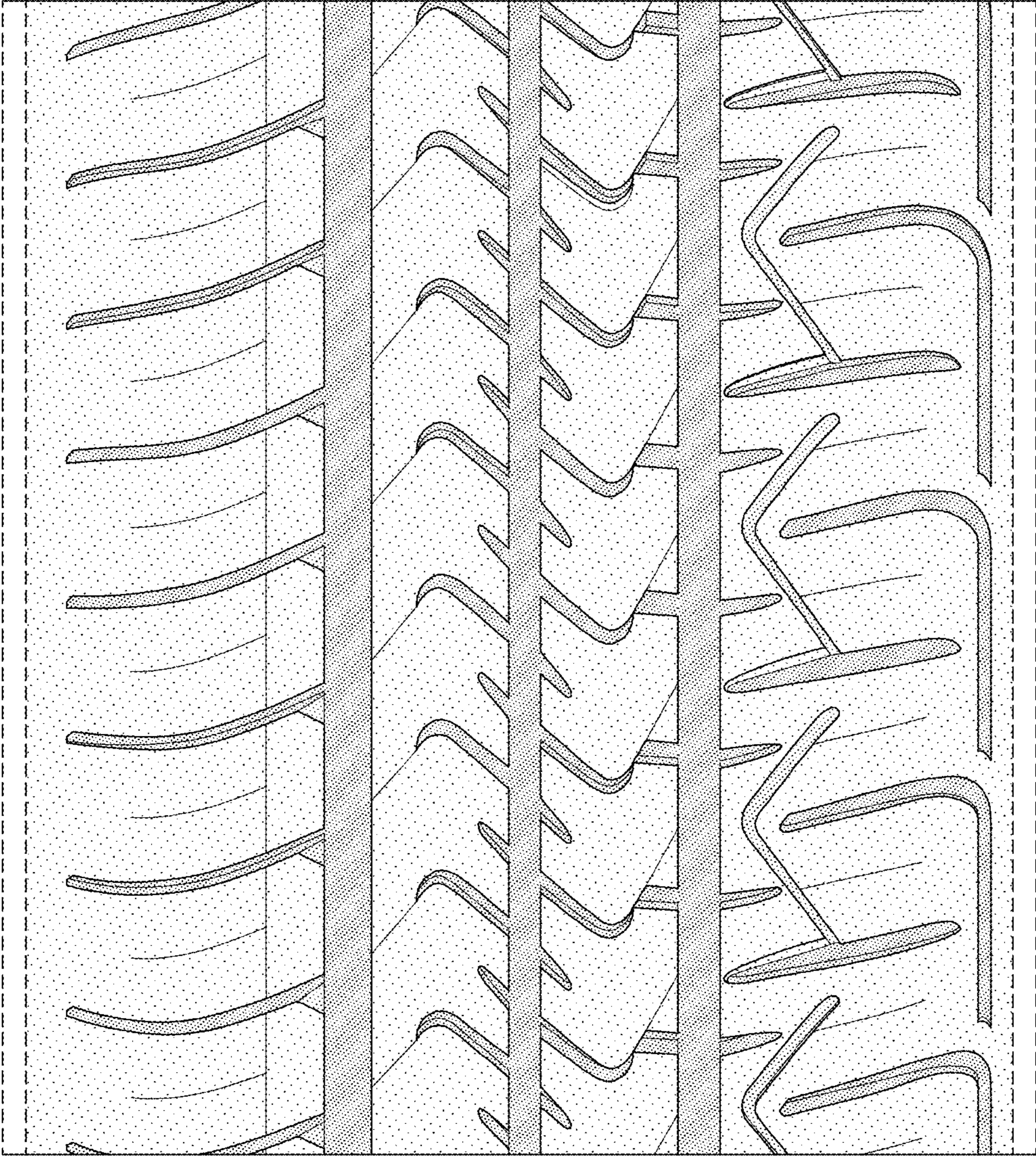


FIG-5

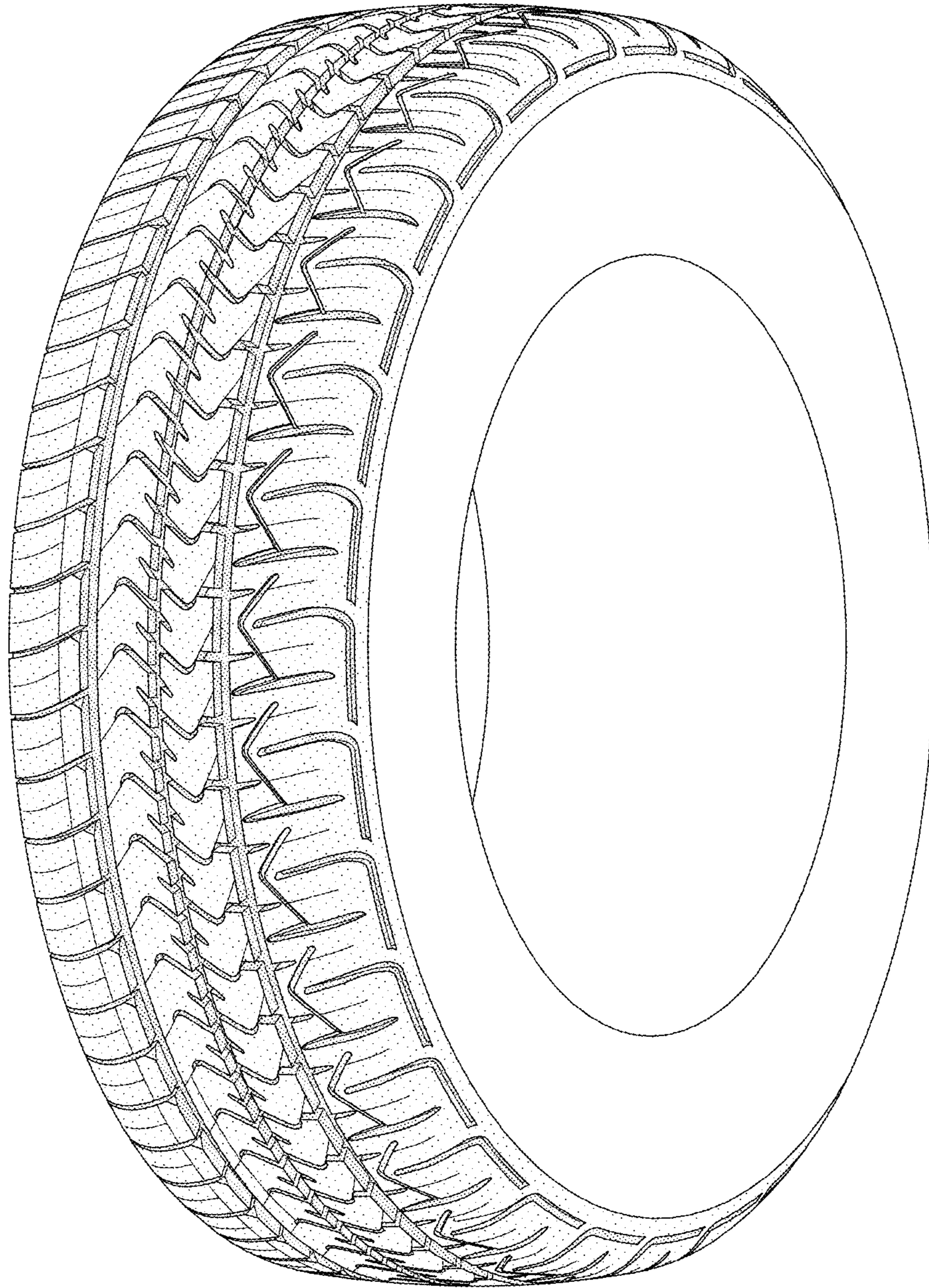


FIG-6

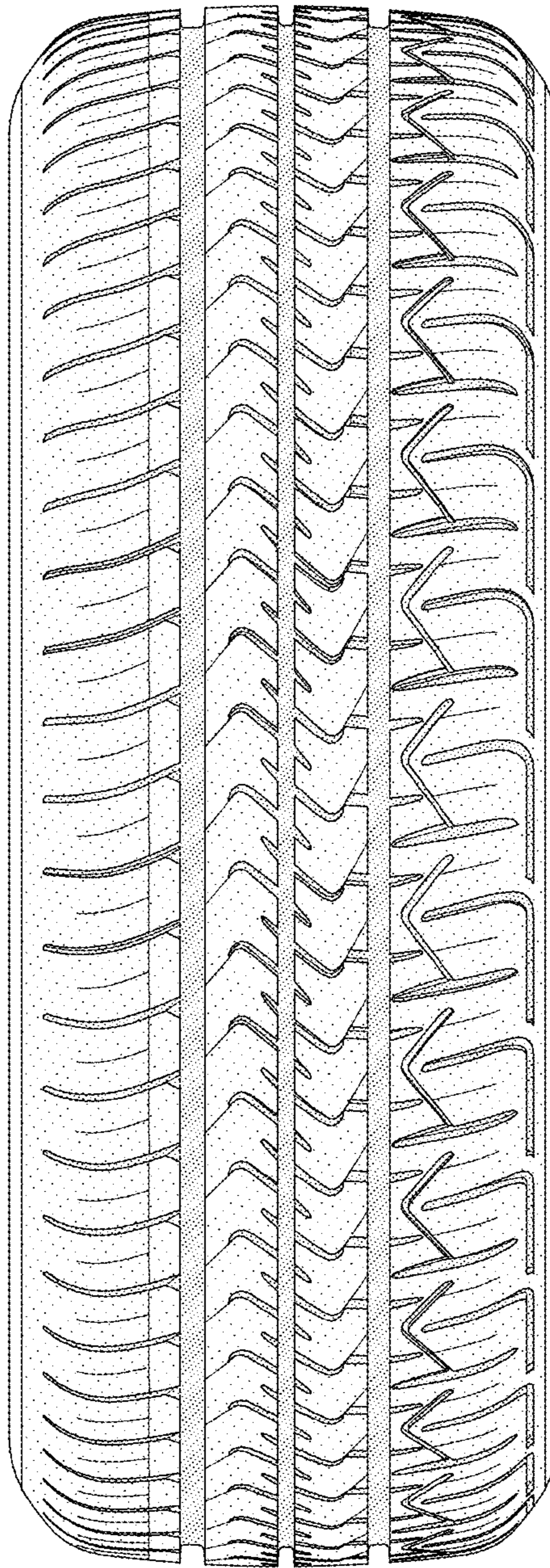


FIG-7

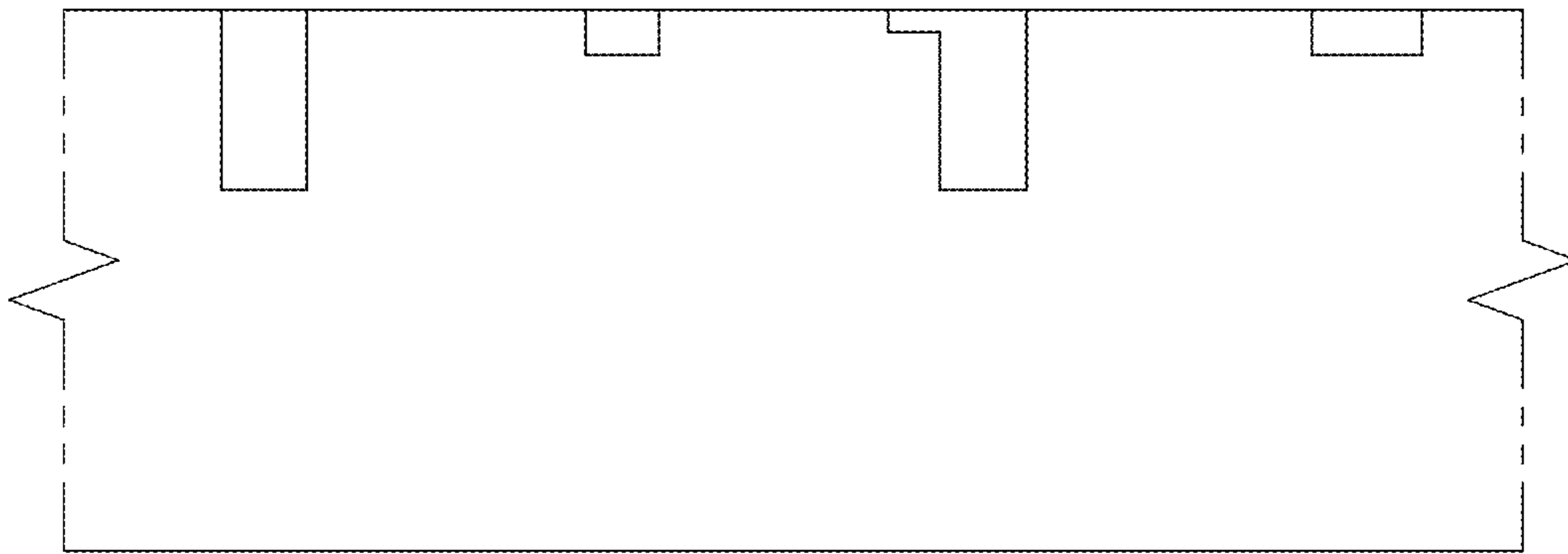


FIG-8