



US00D797644S

(12) **United States Design Patent**
Smallhorn

(10) **Patent No.:** **US D797,644 S**

(45) **Date of Patent:** **** Sep. 19, 2017**

(54) **AIRCRAFT PASSENGER CONTROL
CONSOLE WITH USB PORT**

(71) Applicant: **INFLIGHT INVESTMENTS INC.,
St-Laurent (CA)**

(72) Inventor: **George R Smallhorn, St-Laurent (CA)**

(73) Assignee: **Inflight Investments, Inc., St-Laurent,
Quebec (CA)**

(**) Term: **15 Years**

(21) Appl. No.: **29/577,918**

(22) Filed: **Sep. 16, 2016**

Related U.S. Application Data

(62) Division of application No. 29/510,808, filed on Dec. 3, 2014.

(30) **Foreign Application Priority Data**

Jun. 3, 2014 (CA) 156965

(51) **LOC (10) Cl.** **12-07**

(52) **U.S. Cl.**
USPC **D12/345**

(58) **Field of Classification Search**

USPC D6/356; D10/123, 125; D12/319–345,
D12/195, 418; D13/162, 171; D14/218,
D14/338, 339

CPC B64D 11/00; B64D 11/0015; B64D
11/0053; B64D 2013/003; B60Q 3/00;
B60Q 3/02

See application file for complete search history.

(56) **References Cited**

U.S. PATENT DOCUMENTS

3,370,813 A	2/1968	Albertine et al.	244/118.5
D213,144 S	1/1969	Kraus	D12/195
D244,018 S	4/1977	Greiss et al.	D12/195
D259,038 S	4/1981	Smith	D12/195
D261,387 S	10/1981	Weitz et al.	D12/192

D281,940 S	12/1985	Stevenson et al.	D12/195
D295,042 S	4/1988	Stevenson et al.	D12/192
D297,527 S	9/1988	Iacovelli	D10/2
D310,814 S	9/1990	Rosenbaum et al.	D13/117
D310,820 S	9/1990	Watson et al.	D13/117
5,707,028 A	1/1998	Roeper	244/118.5
D396,470 S	7/1998	Summers et al.	D14/218
D402,966 S	12/1998	Lim	D13/168
D410,748 S	6/1999	Hunsucker et al.	D24/200
D413,867 S	9/1999	Mullet et al.	D13/162
D439,425 S	3/2001	Park et al.	D6/356
D443,990 S	6/2001	Beroth	D6/356
D455,390 S	4/2002	Granzeier et al.	D12/345
6,425,773 B2	7/2002	Mosebach et al.	439/136
6,454,209 B1	9/2002	Bock et al.	105/314
D464,329 S	10/2002	Mainiero	D13/169
D481,687 S	11/2003	Moriya et al.	D13/171
D487,981 S	4/2004	Ludeke et al.	D6/356
D491,923 S	6/2004	Navarrete	D14/218
D495,801 S	9/2004	Kim	D24/200
D503,686 S	4/2005	Knox, Jr. et al.	D13/162
D562,779 S	2/2008	Lamoree et al.	D13/171
D563,908 S	3/2008	Kohler, Jr. et al.	D13/162
D583,749 S	12/2008	Aruga et al.	D12/418
D600,623 S	9/2009	Fiedler et al.	D12/345
D613,669 S	4/2010	Collins et al.	D12/345
D628,529 S	12/2010	Fiedler et al.	D12/345
D638,688 S	5/2011	Sheremeta et al.	D13/177
D654,476 S	2/2012	Weitgasser	D14/218
D678,217 S	3/2013	Helm	D13/162
D691,096 S	10/2013	Beroukas et al.	D13/162
D712,847 S	9/2014	Dorn et al.	D13/174
D750,007 S *	2/2016	Smallhorn	D12/345
D760,702 S	7/2016	Sul	D14/218

* cited by examiner

Primary Examiner — Robert M Spear

Assistant Examiner — Marissa J Cash

(74) *Attorney, Agent, or Firm* — Kusner & Jaffe

(57) **CLAIM**

The ornamental design for the aircraft passenger control console with USB port, as shown and described.

DESCRIPTION

FIG. 1 is a rear isometric view of an aircraft passenger control console with USB port, with a recessed trapezoidal keypad and rectangular keypad-USB rocker in the top surface in a closed position, showing my new design;

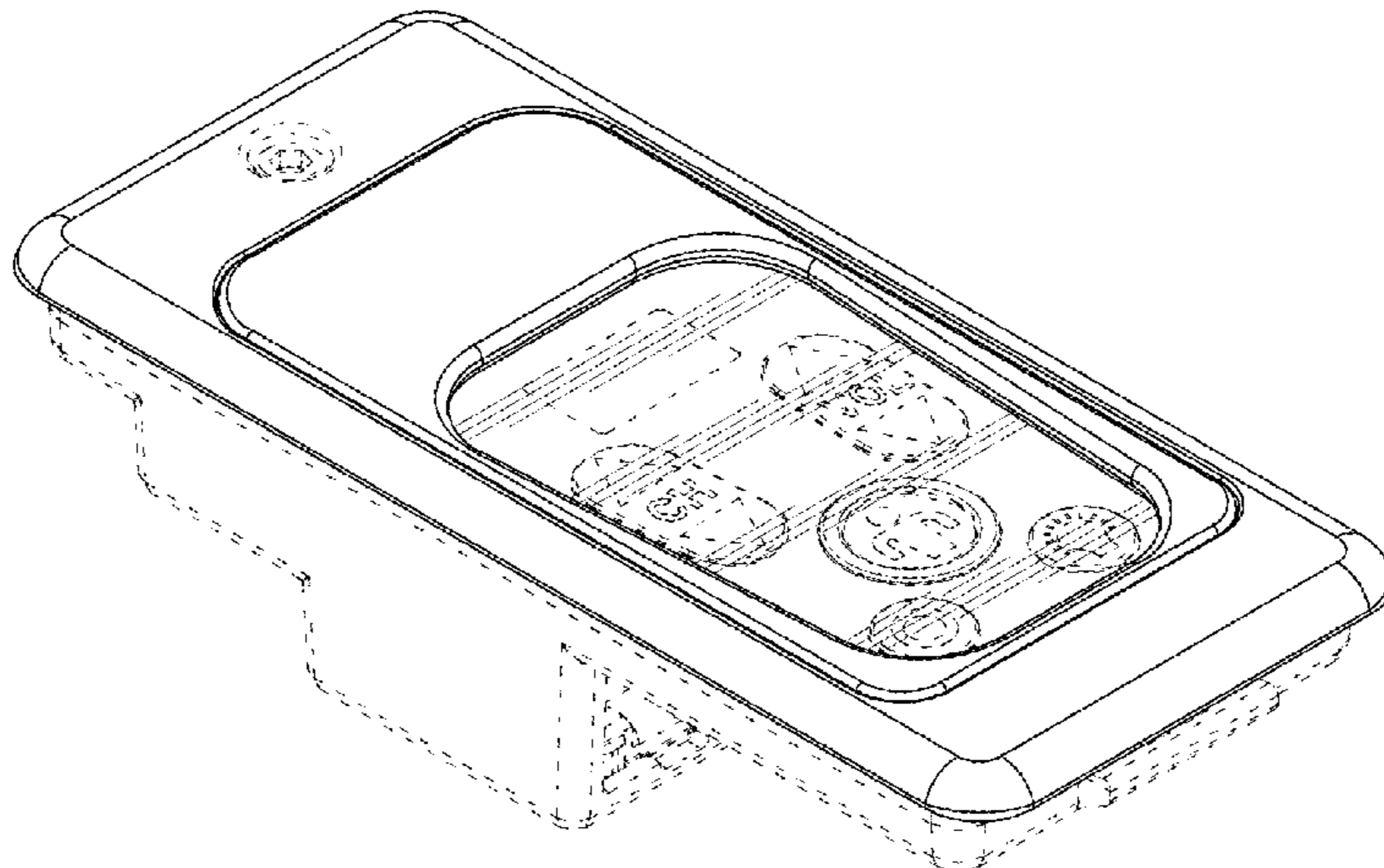


FIG. 2 is a front isometric view thereof with the keypad-USB rocker in the closed position;
 FIG. 3 is a rear isometric view thereof with the keypad-USB rocker in an open position;
 FIG. 4 is a front isometric view thereof with the keypad-USB rocker in an open position;
 FIG. 5 is a top view thereof with the keypad-USB rocker in the closed position;
 FIG. 6 is a top view thereof with the keypad-USB rocker in the open position;
 FIG. 7 is a rear view thereof with the keypad-USB rocker in the closed position;
 FIG. 8 is a rear view thereof with the keypad-USB rocker in the open position;
 FIG. 9 is a front view thereof with the keypad-USB rocker in the closed position;
 FIG. 10 is a front view thereof with the keypad-USB rocker in the open position;
 FIG. 11 is a left side view thereof with the keypad-USB rocker in the closed position;
 FIG. 12 is a left side view thereof with the keypad-USB rocker in the open position;
 FIG. 13 is a right side view thereof with the keypad-USB rocker in the closed position;
 FIG. 14 is a right side view thereof with the keypad-USB rocker in the open position;
 FIG. 15 is a bottom view thereof;
 FIGS. 16 and 17 are a rear isometric view and a front isometric view respectively thereof with an alternative flush trapezoidal keypad and with the keypad-USB rocker in the open position;
 FIGS. 18 and 19 are a rear isometric view and a front isometric view respectively thereof with an alternative flush oval keypad and with the keypad-USB rocker in the open position;
 FIGS. 20 and 21 are a rear isometric view and a front isometric view respectively thereof with an alternative flush rectangular keypad and with the keypad-USB rocker in the open position;
 FIG. 22 is a rear isometric view of another embodiment of my design with a recessed trapezoidal keypad and rectangular keypad-USB rocker in the top surface in a closed position;
 FIG. 23 is a front isometric view thereof with the keypad-USB rocker in the closed position;
 FIG. 24 is a rear isometric view thereof with the keypad-USB rocker in an open position;
 FIG. 25 is a front isometric view thereof with the keypad-USB rocker in an open position;
 FIG. 26 is a top view thereof with the keypad-USB rocker in the closed position;
 FIG. 27 is a top view thereof with the keypad-USB rocker in the open position;
 FIG. 28 is a rear view thereof with the keypad-USB rocker in the closed position;
 FIG. 29 is a rear view thereof with the keypad-USB rocker in the open position;
 FIG. 30 is a front view thereof with the keypad-USB rocker in the closed position;
 FIG. 31 is a front view thereof with the keypad-USB rocker in the open position;
 FIG. 32 is a left side view thereof with the keypad-USB rocker in the closed position;

FIG. 33 is a left side view thereof with the keypad-USB rocker in the open position;
 FIG. 34 is a right side view thereof with the keypad-USB rocker in the closed position;
 FIG. 35 is a right side view thereof with the keypad-USB rocker in the open position;
 FIG. 36 is a bottom view thereof;
 FIGS. 37 and 38 are a rear isometric view and a front isometric view respectively thereof with an alternative flush trapezoidal keypad and with the keypad-USB rocker in the open position;
 FIGS. 39 and 40 are a rear isometric view and a front isometric view respectively thereof with an alternative flush oval keypad and with the keypad-USB rocker in the open position;
 FIGS. 41 and 42 are a rear isometric view and a front isometric view respectively thereof with an alternative flush rectangular keypad and with the keypad-USB rocker in the open position;
 FIG. 43 is a front isometric view of my design with a recessed trapezoidal keypad and rectangular keypad-USB rocker in the top surface in a closed position;
 FIG. 44 is a rear isometric view thereof with the keypad-USB rocker in the closed position;
 FIG. 45 is a front isometric view thereof with the keypad-USB rocker in an open position;
 FIG. 46 is a rear isometric view thereof with the keypad-USB rocker in an open position;
 FIG. 47 is a top view thereof with the keypad-USB rocker in the closed position;
 FIG. 48 is a top view thereof with the keypad-USB rocker in the open position;
 FIG. 49 is a front view thereof with the keypad-USB rocker in the closed position;
 FIG. 50 is a front view thereof with the keypad-USB rocker in the open position;
 FIG. 51 is a rear view thereof with the keypad-USB rocker in the closed position;
 FIG. 52 is a rear view thereof with the keypad-USB rocker in the open position;
 FIG. 53 is a right side view thereof with the keypad-USB rocker in the closed position;
 FIG. 54 is a right side view thereof with the keypad-USB rocker in the open position;
 FIG. 55 is a left side view thereof with the keypad-USB rocker in the closed position;
 FIG. 56 is a left side view thereof with the keypad-USB rocker in the open position;
 FIG. 57 is a bottom view thereof;
 FIGS. 58 and 59 are a front isometric view and a rear isometric view respectively thereof with an alternative flush trapezoidal keypad and with the keypad-USB rocker in the open position;
 FIGS. 60 and 61 are a front isometric view and a rear isometric view respectively thereof with an alternative flush oval keypad and with the keypad-USB rocker in the open position; and,
 FIGS. 62 and 63 are a front isometric view and a rear isometric view respectively thereof with an alternative flush rectangular keypad and with the keypad-USB rocker in the open position.
 In the drawings, the broken lines depict environmental subject matter only and form no part of the claimed design.

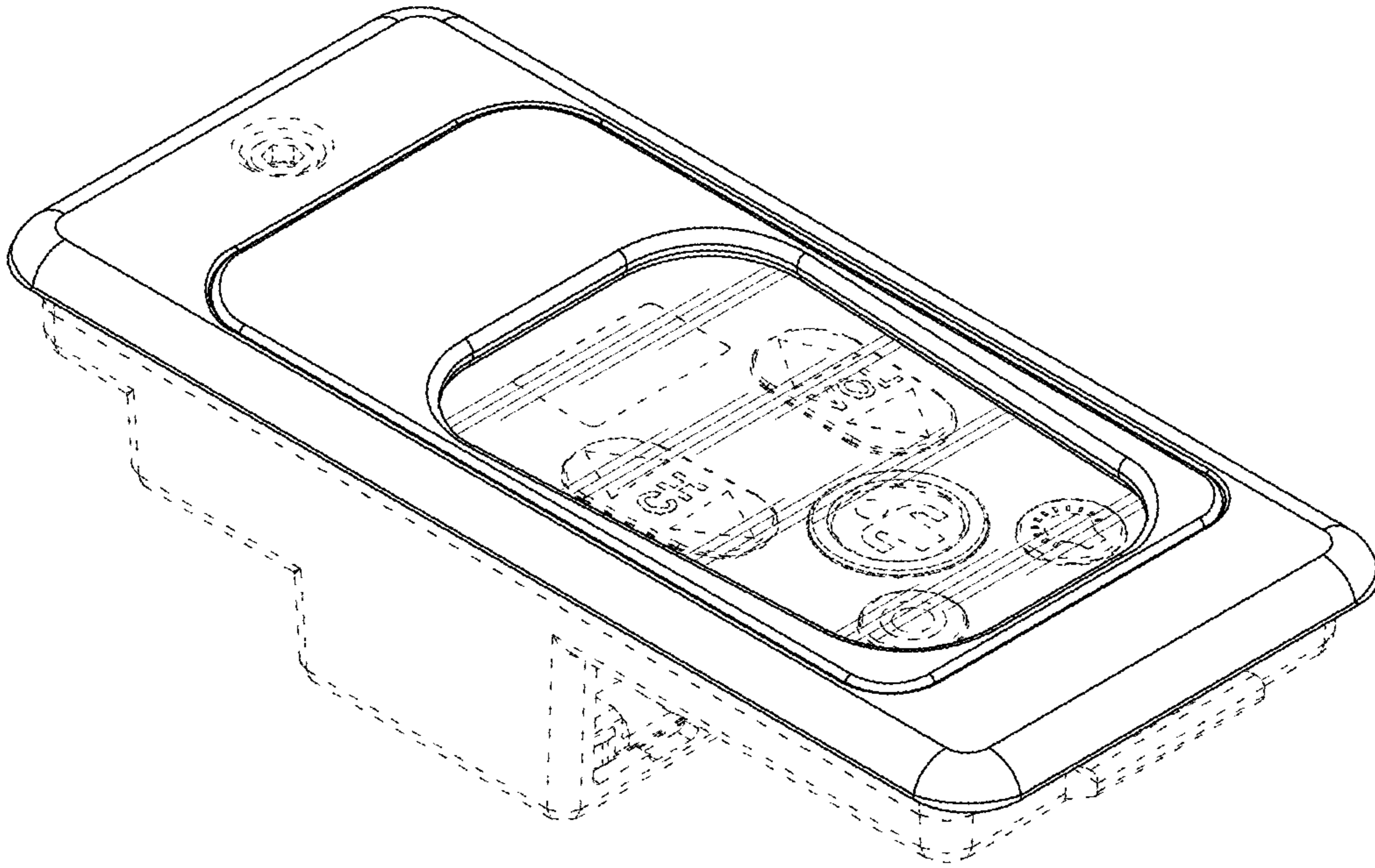


FIG.1

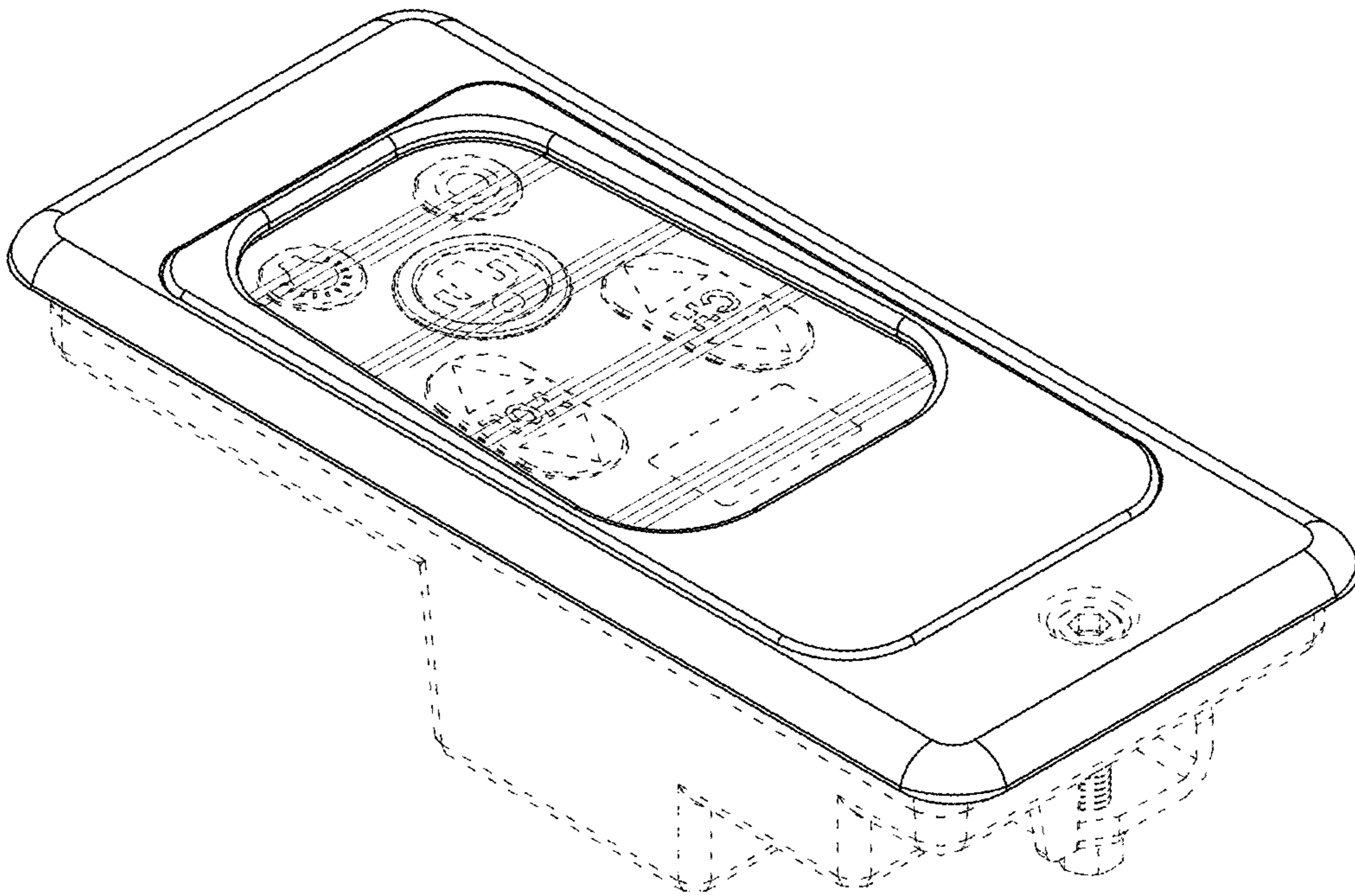


FIG.2

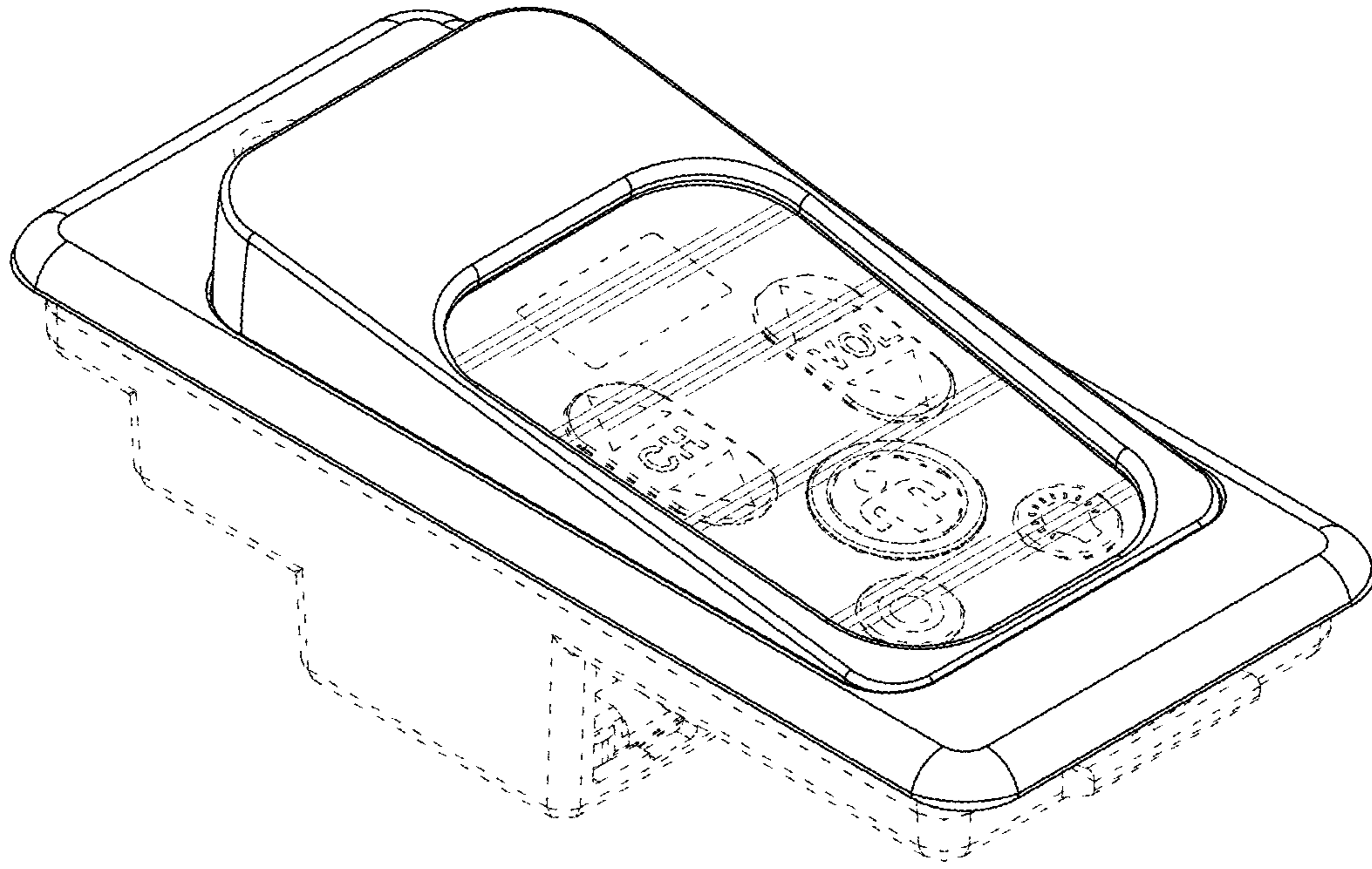


FIG.3

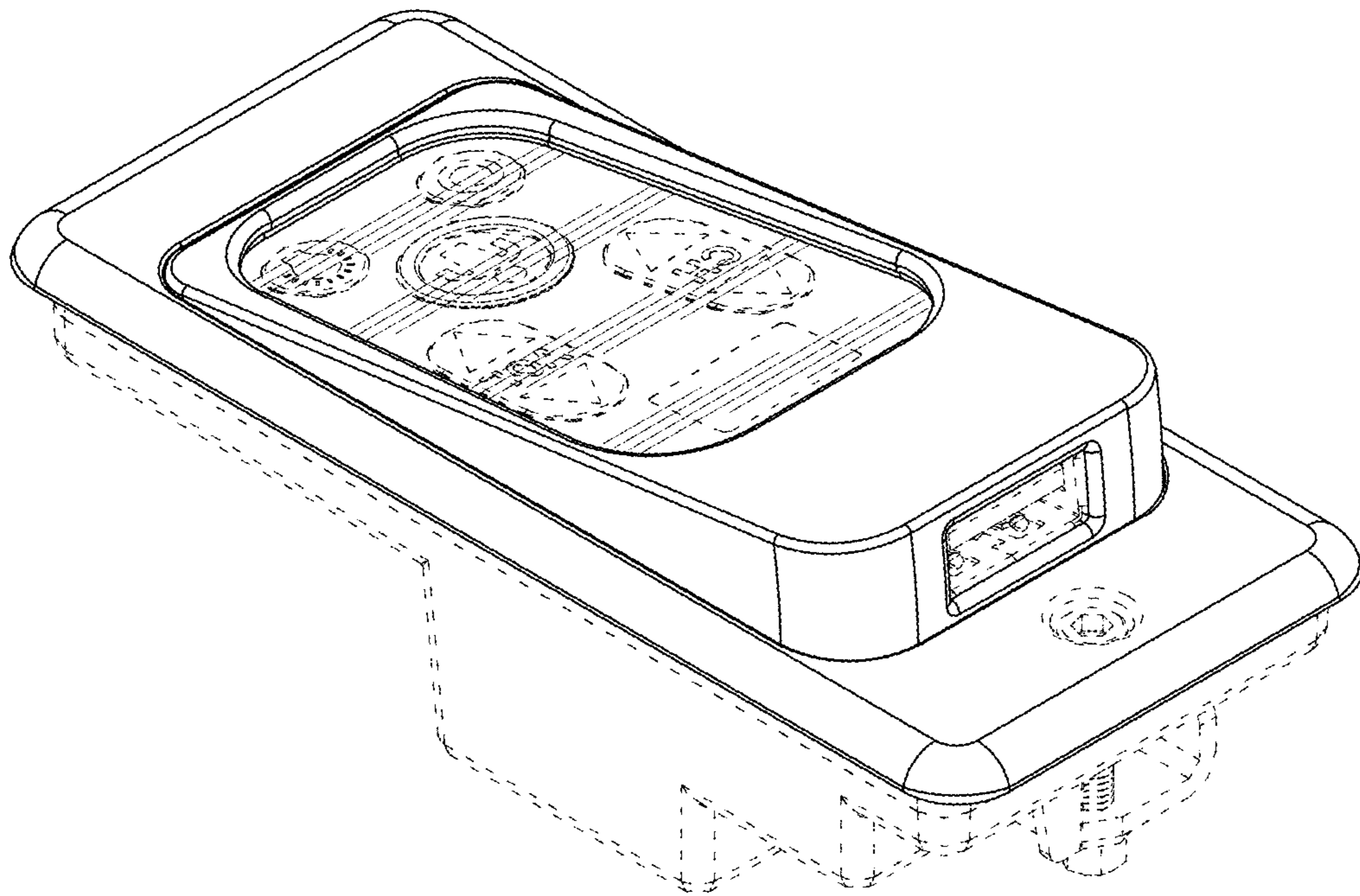


FIG.4

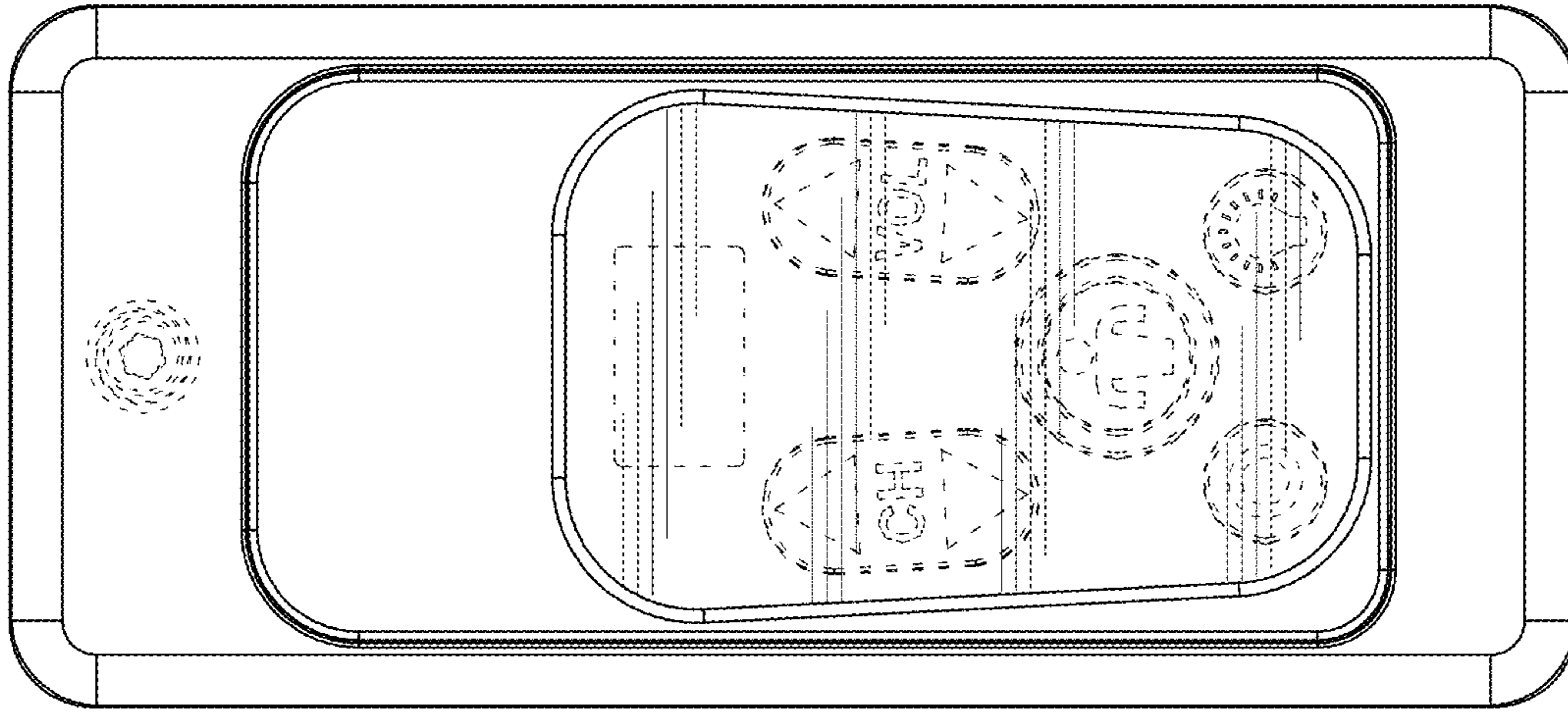


FIG.5

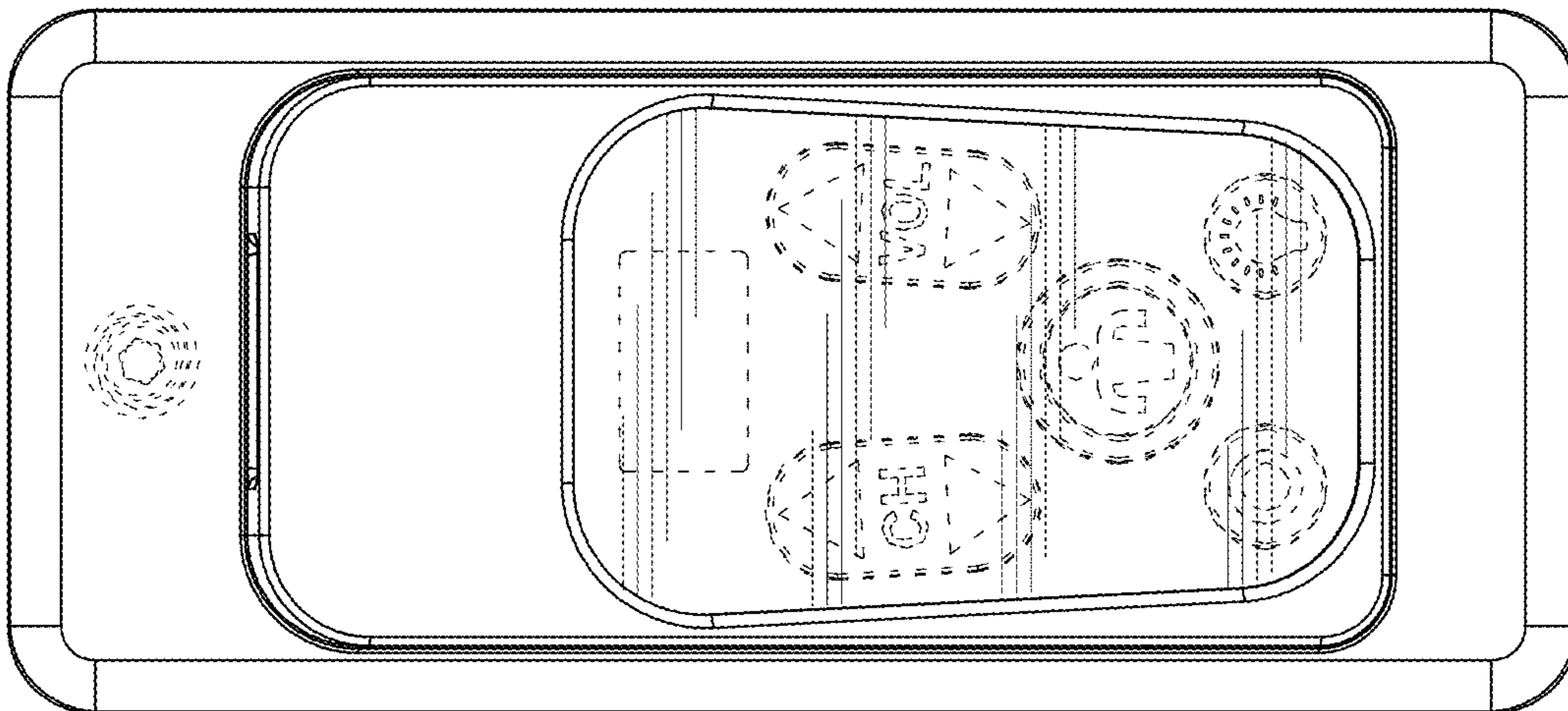


FIG.6

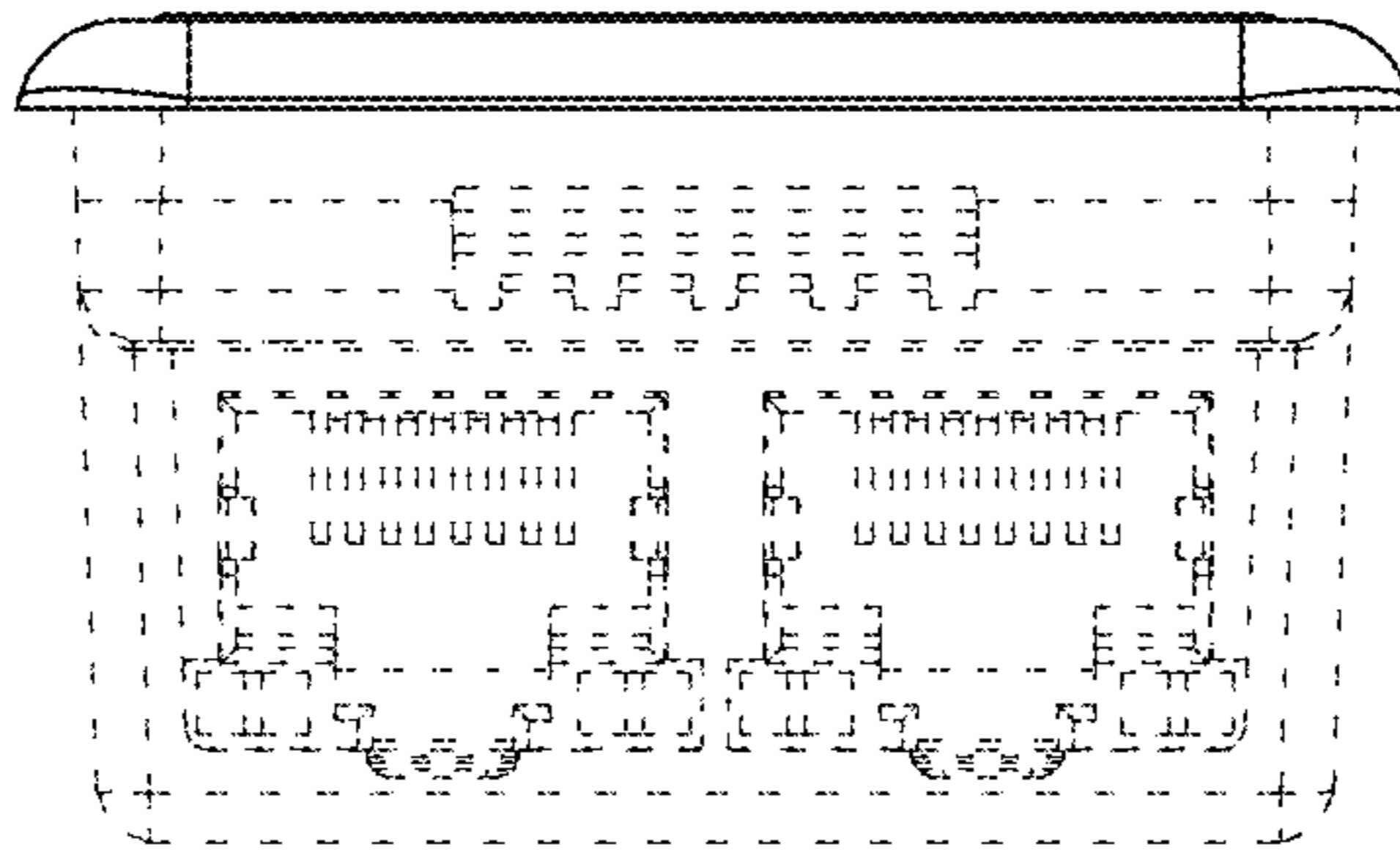


FIG. 7

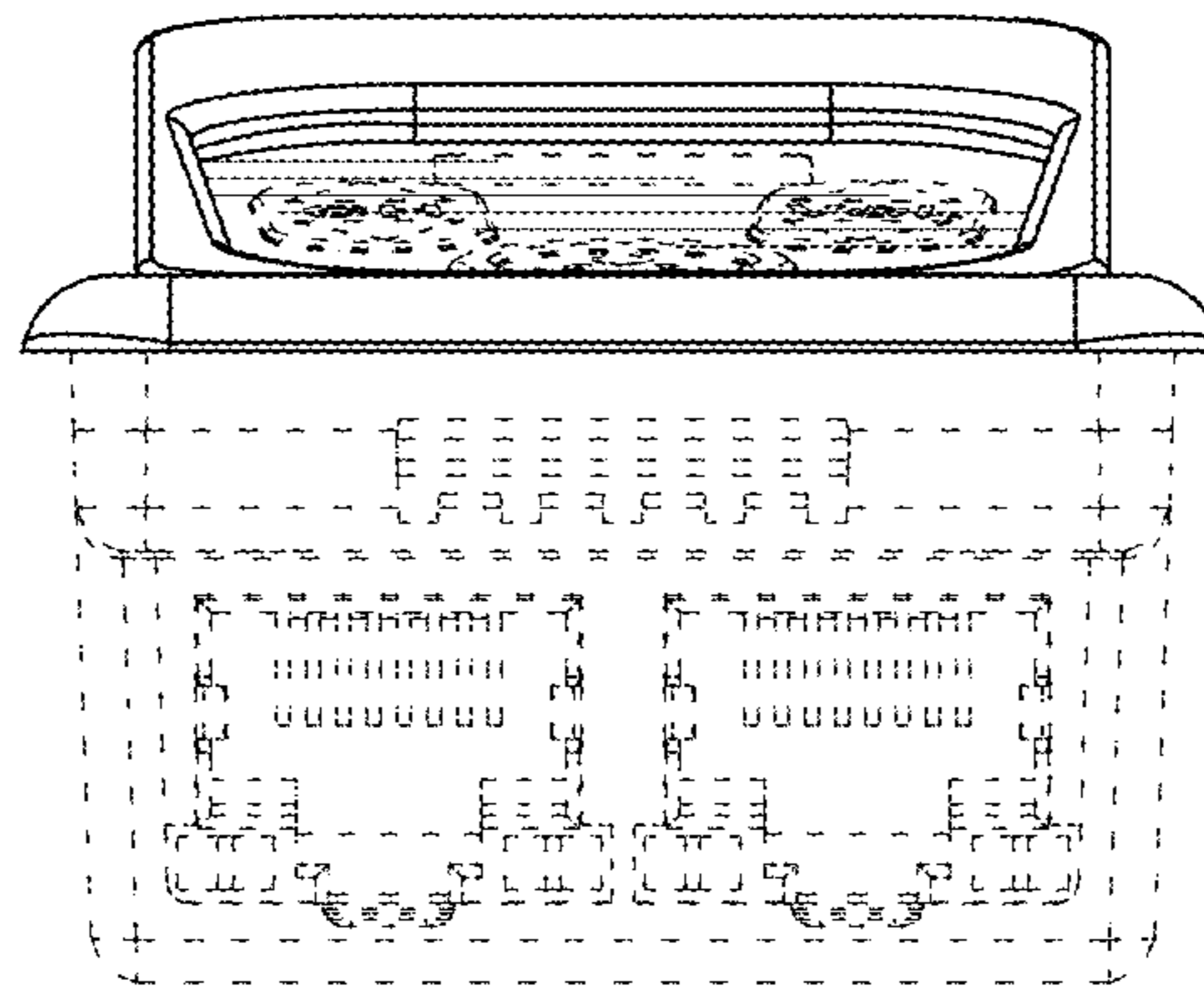


FIG. 8

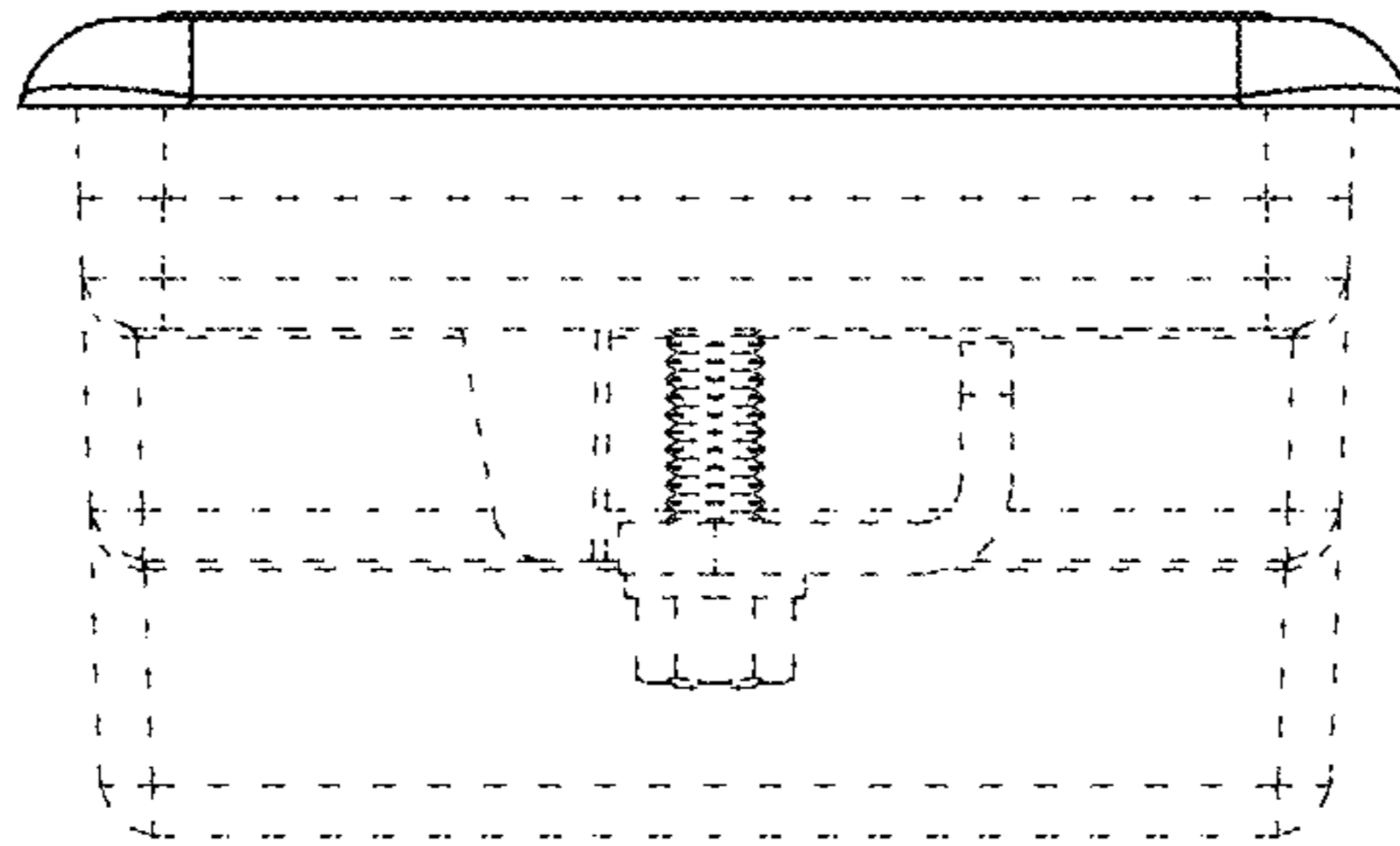


FIG.9

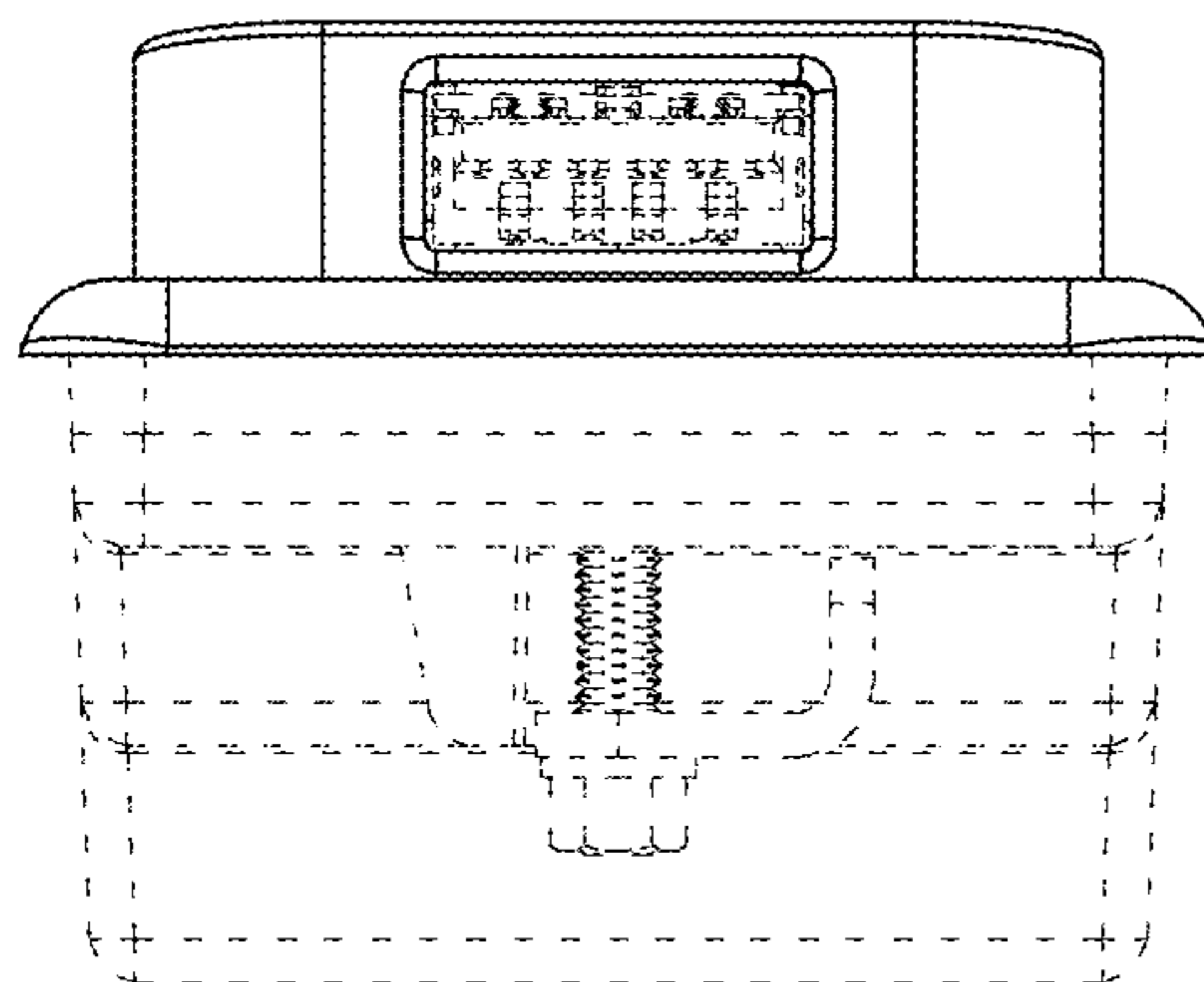


FIG.10

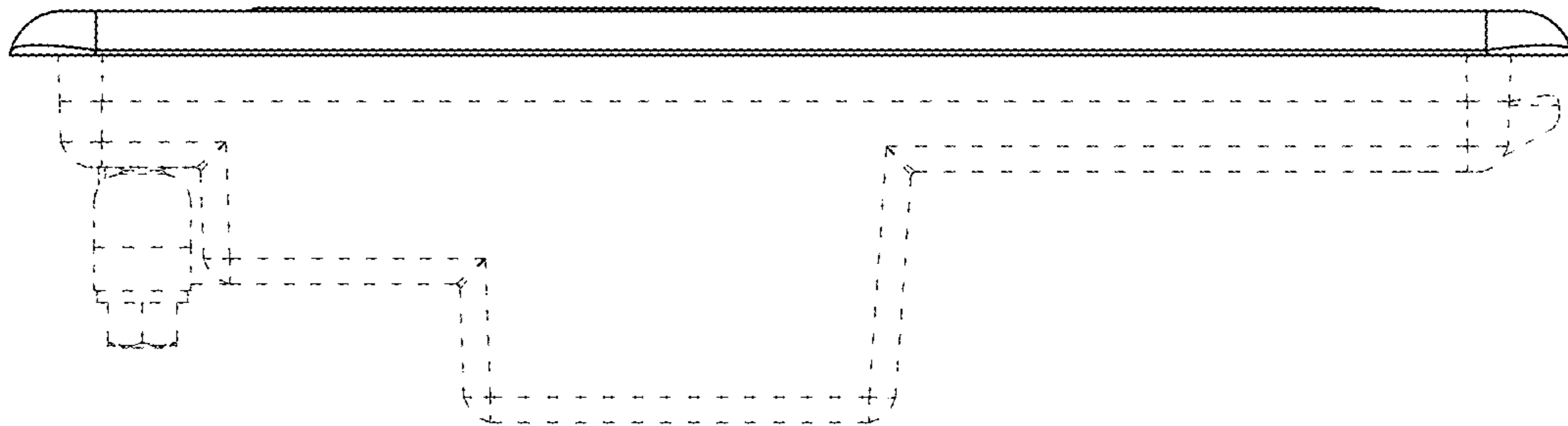


FIG.11

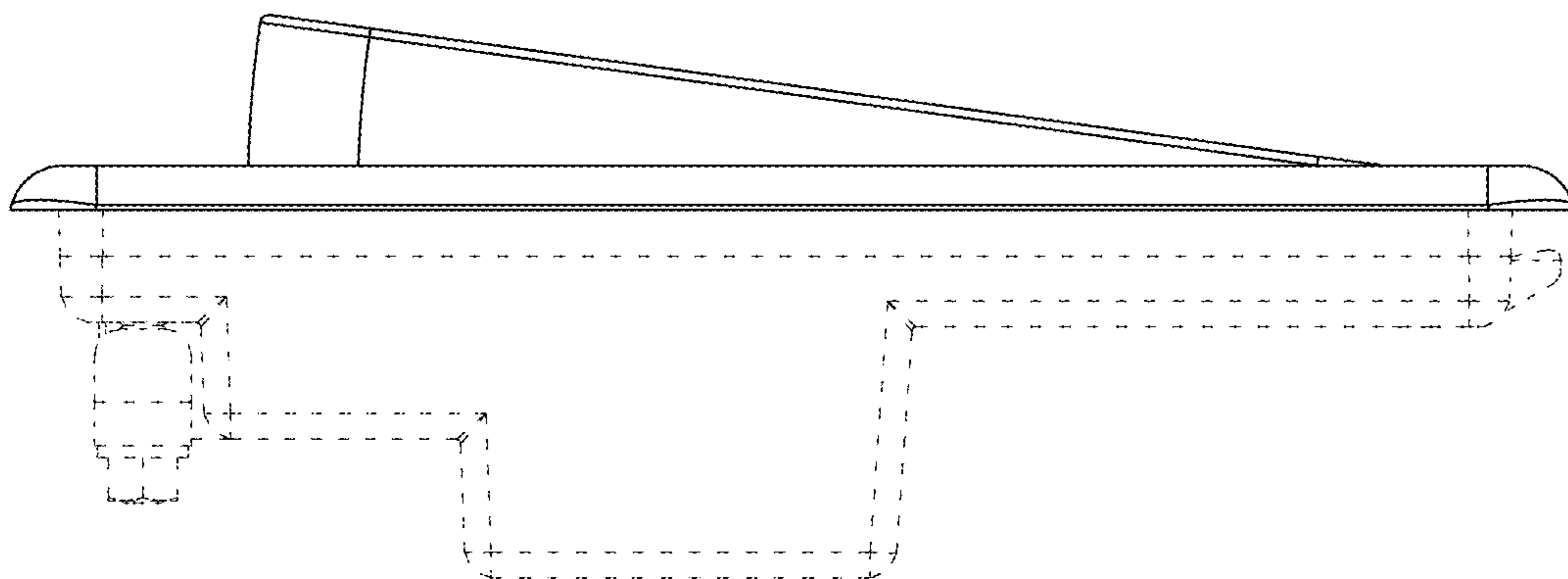


FIG.12

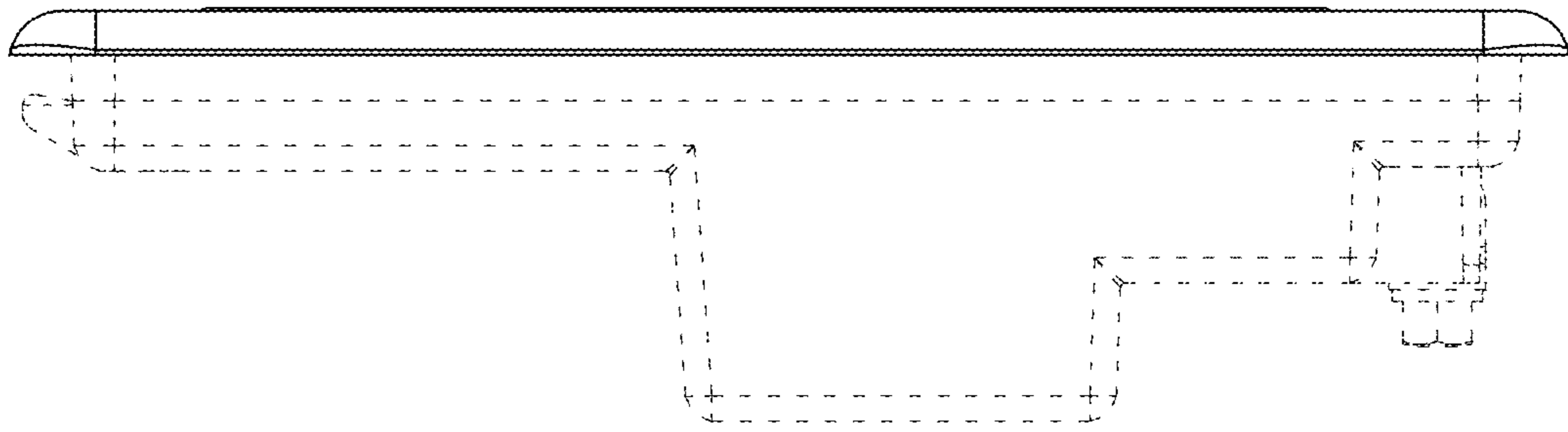


FIG.13

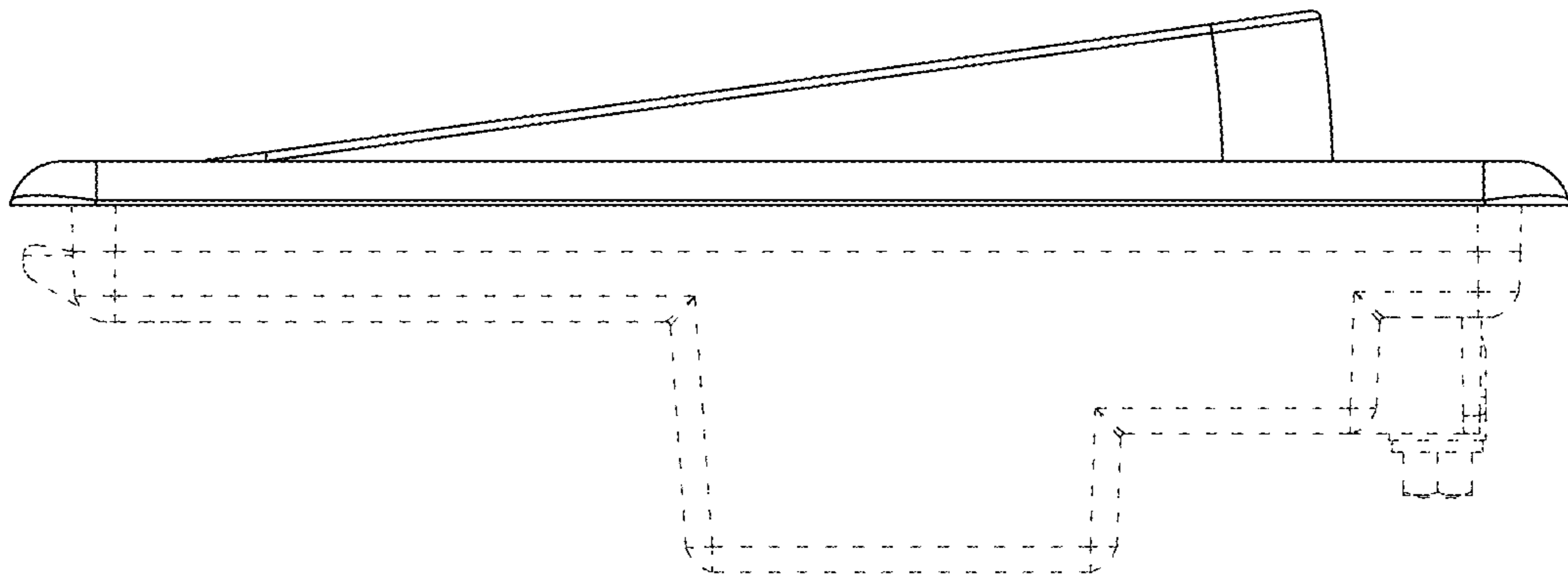


FIG.14

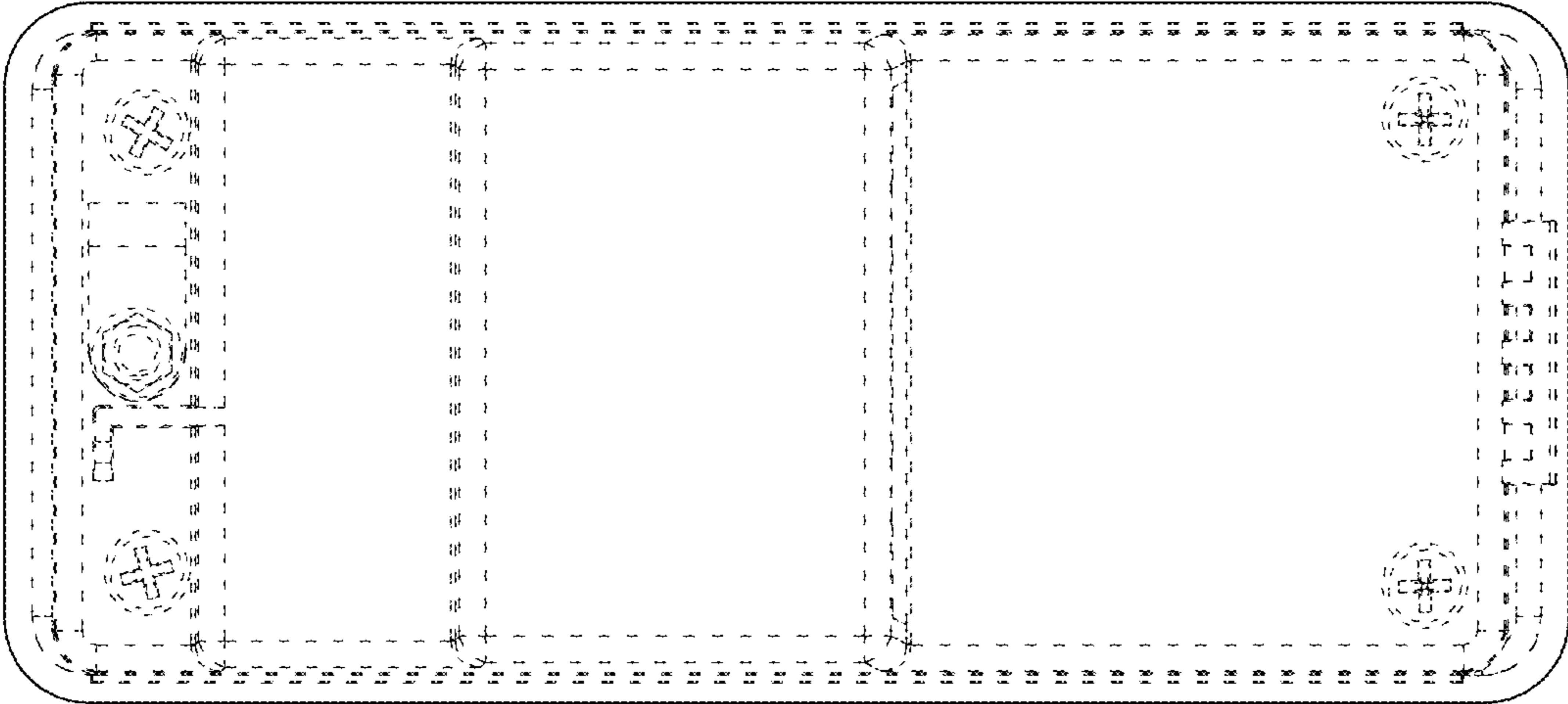


FIG.15

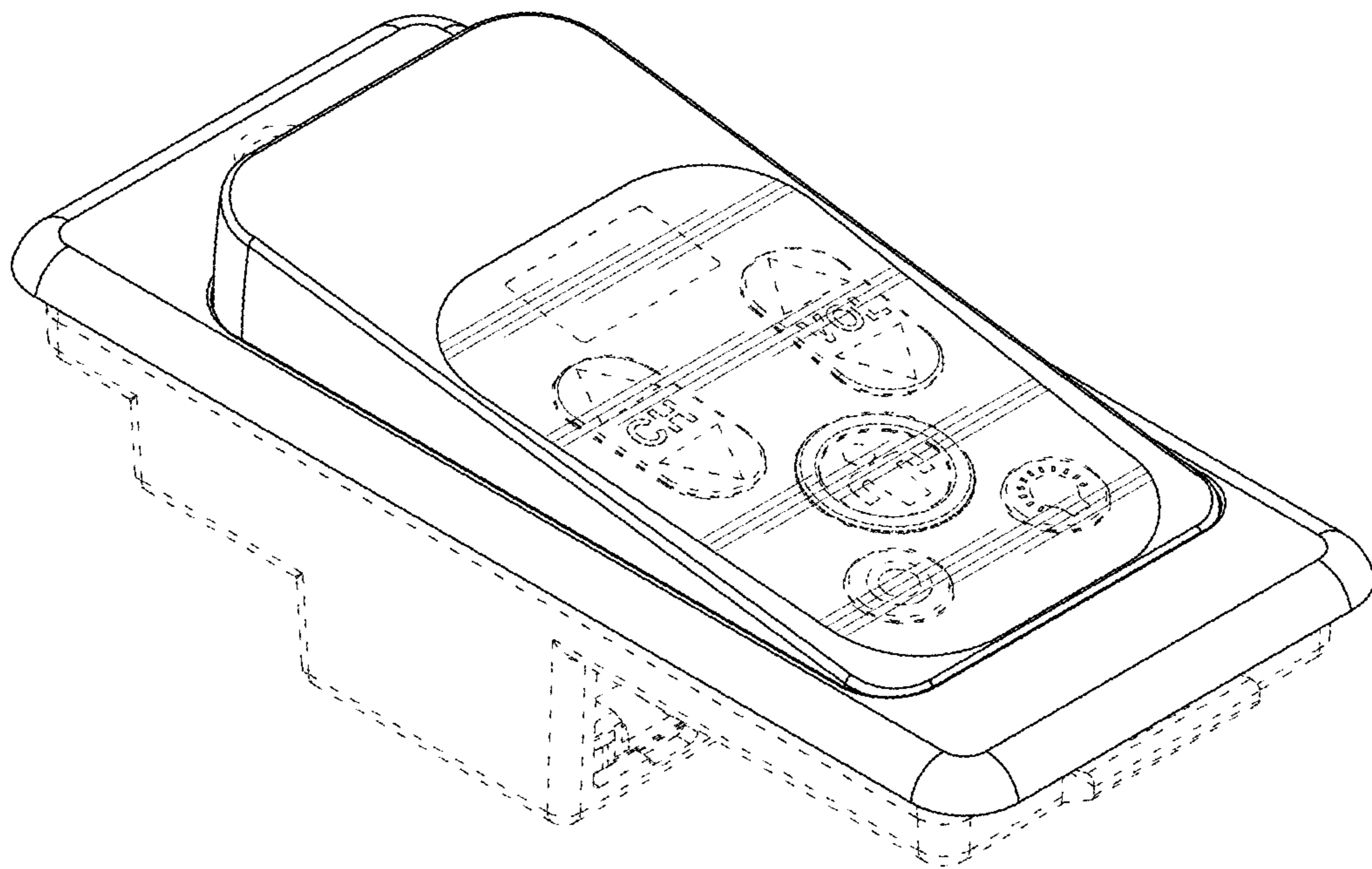


FIG. 16

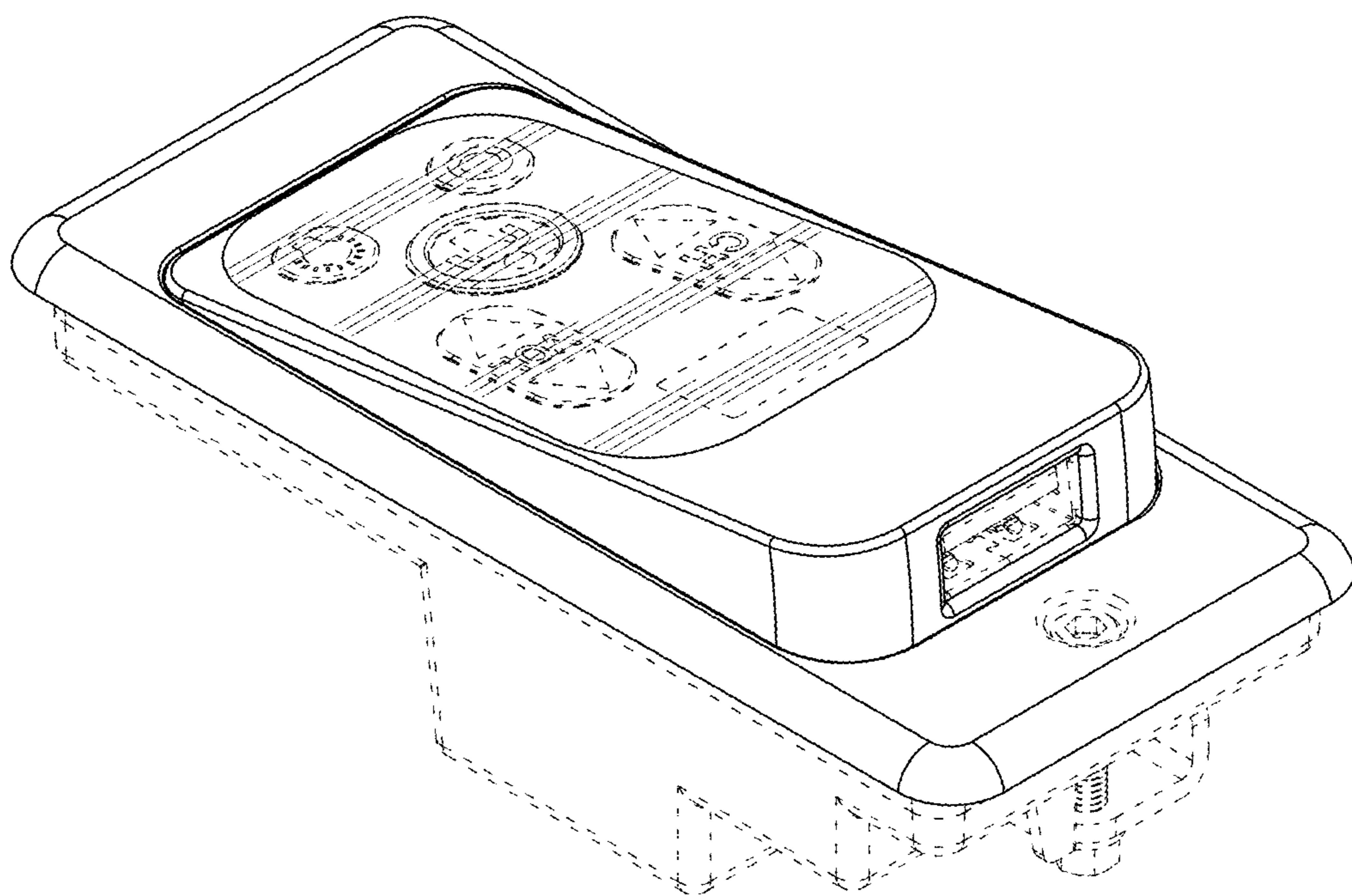


FIG. 17

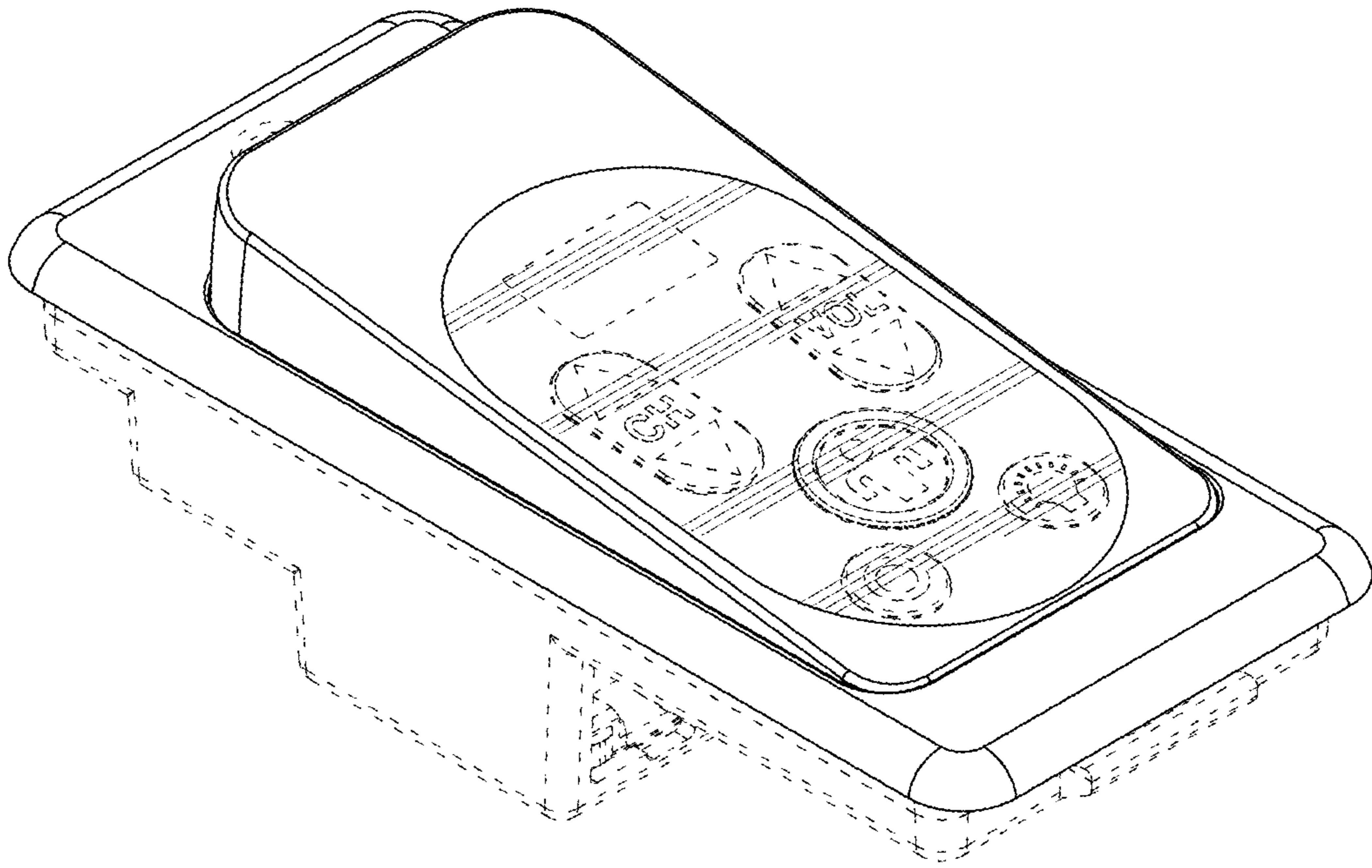


FIG. 18

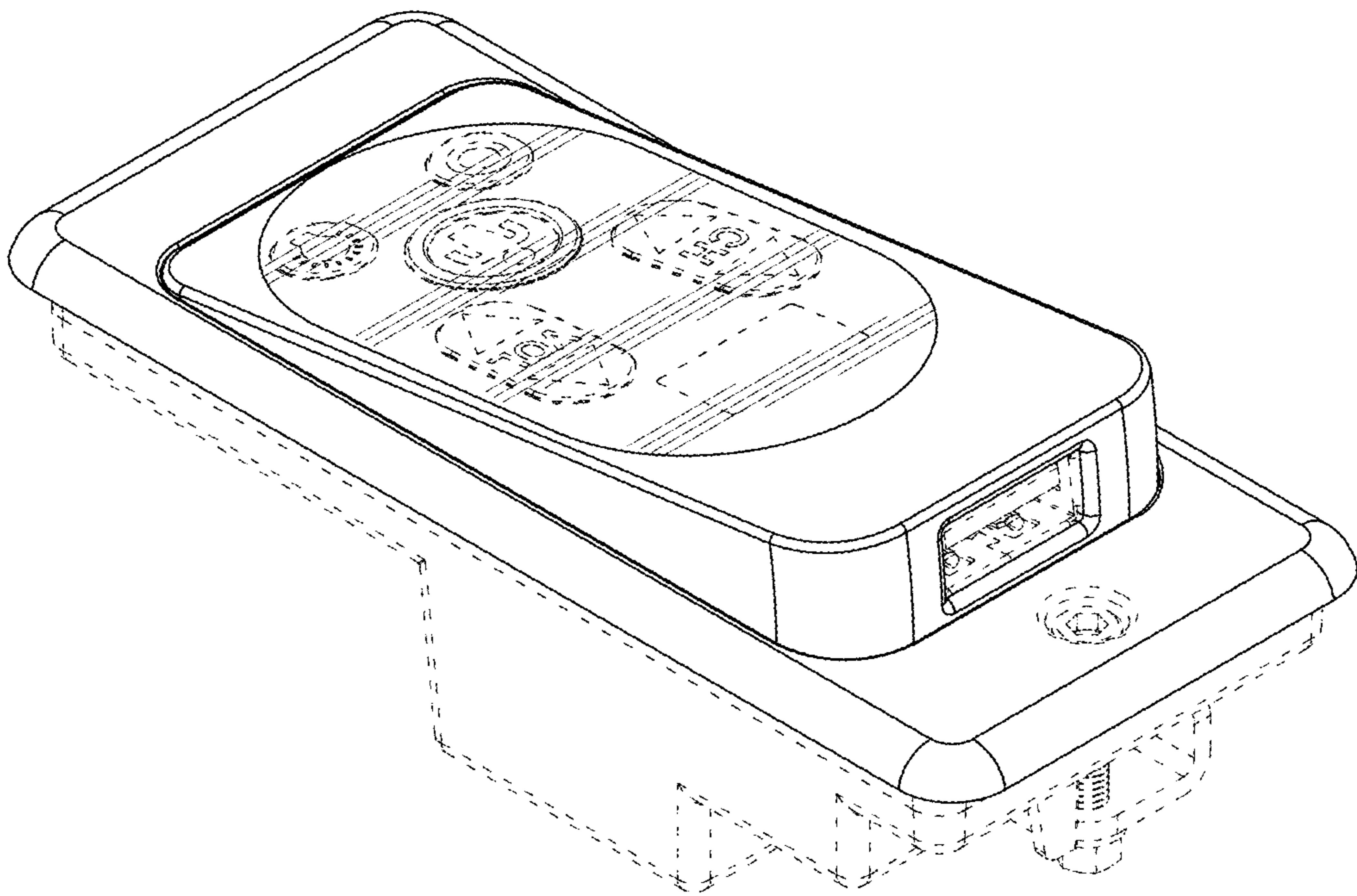


FIG. 19

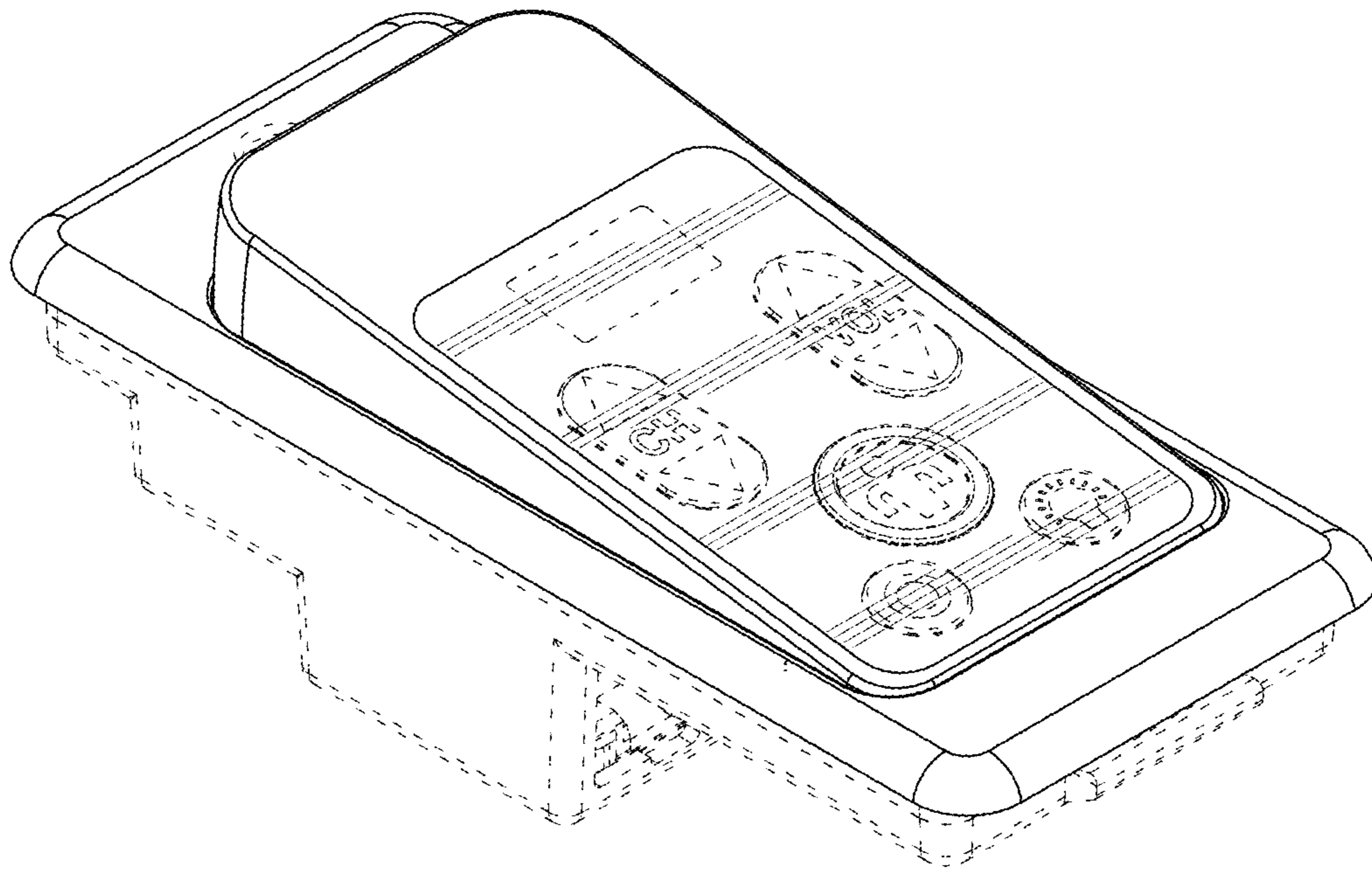


FIG.20

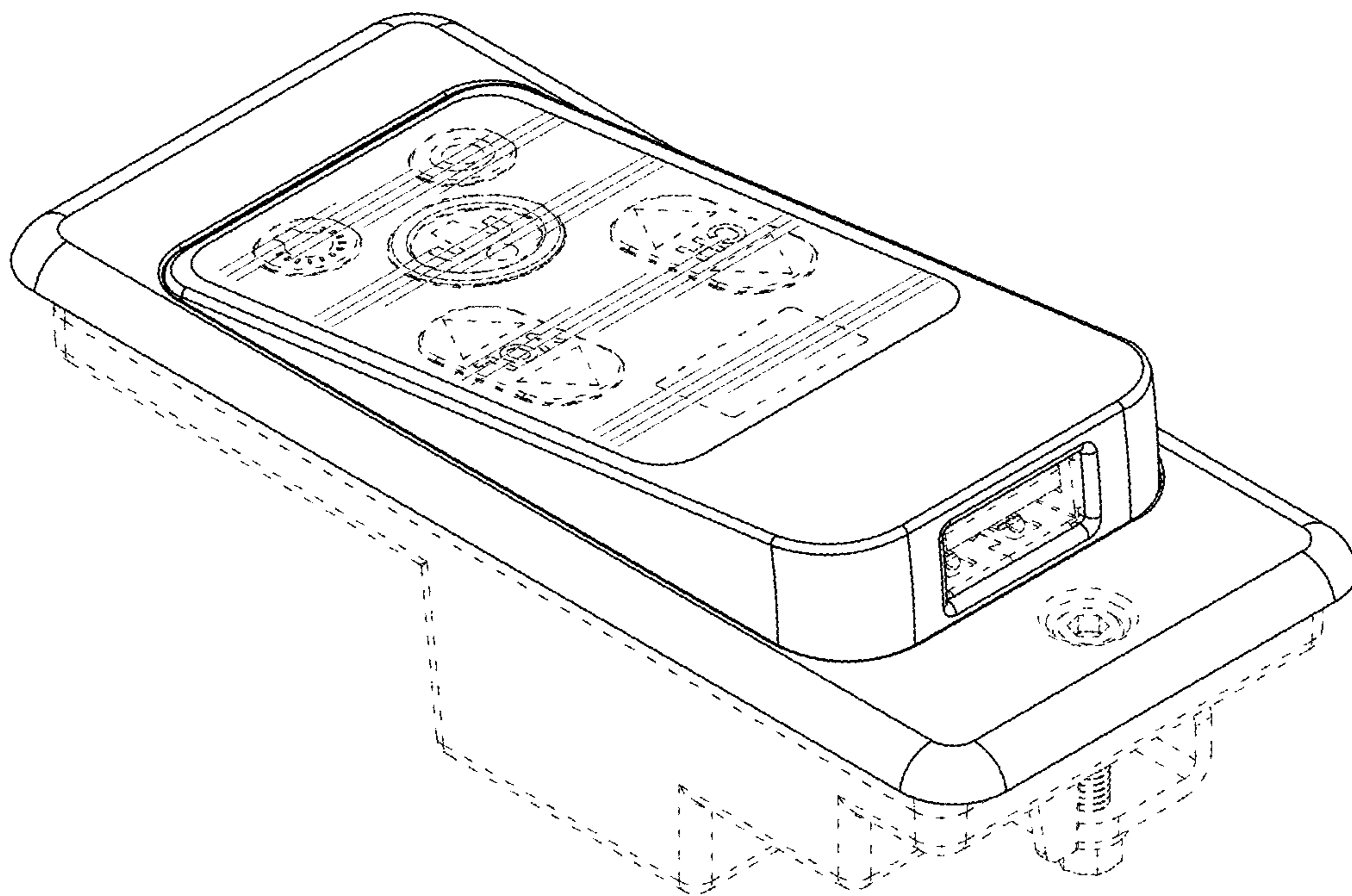


FIG.21

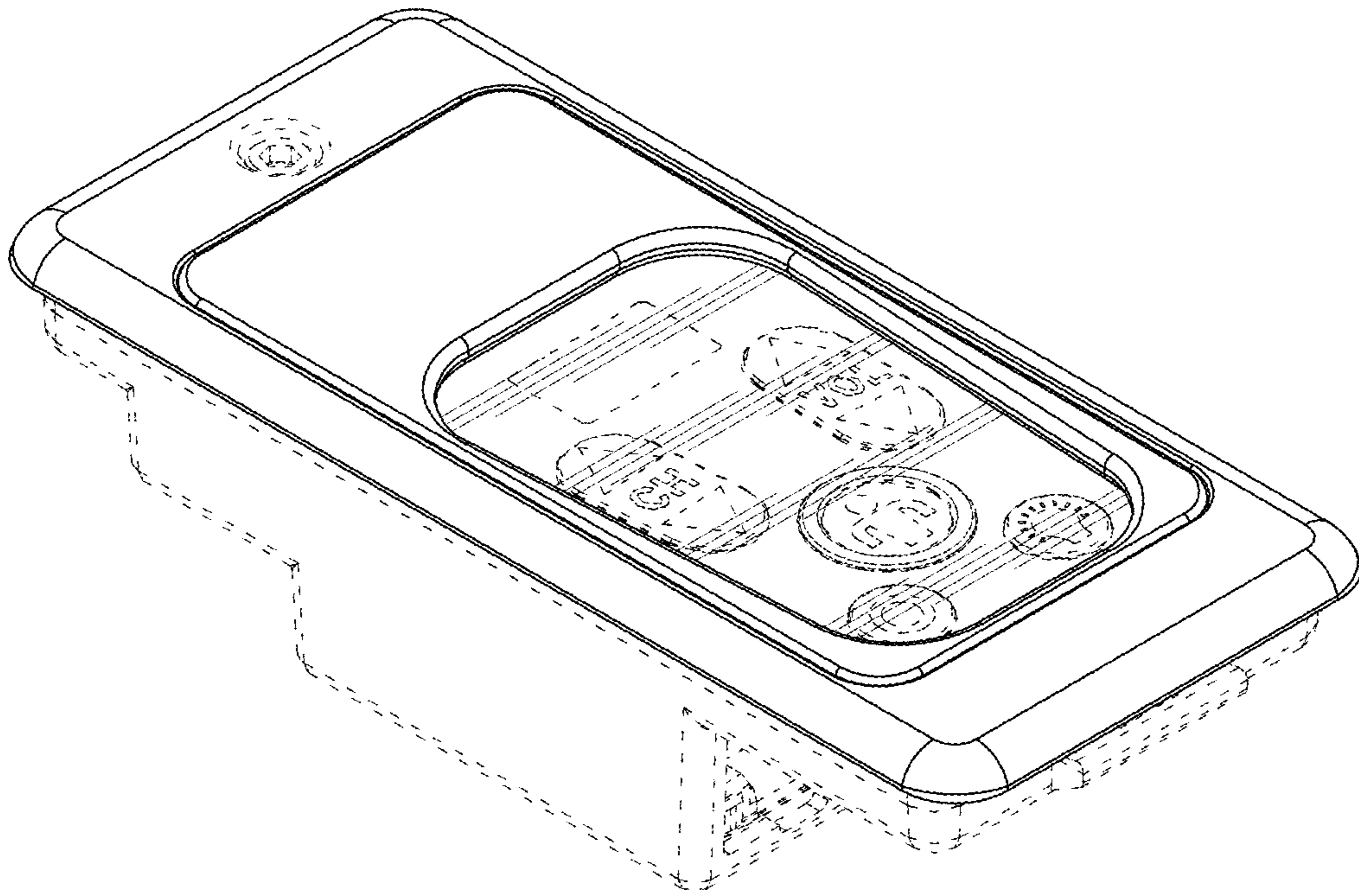


FIG. 22

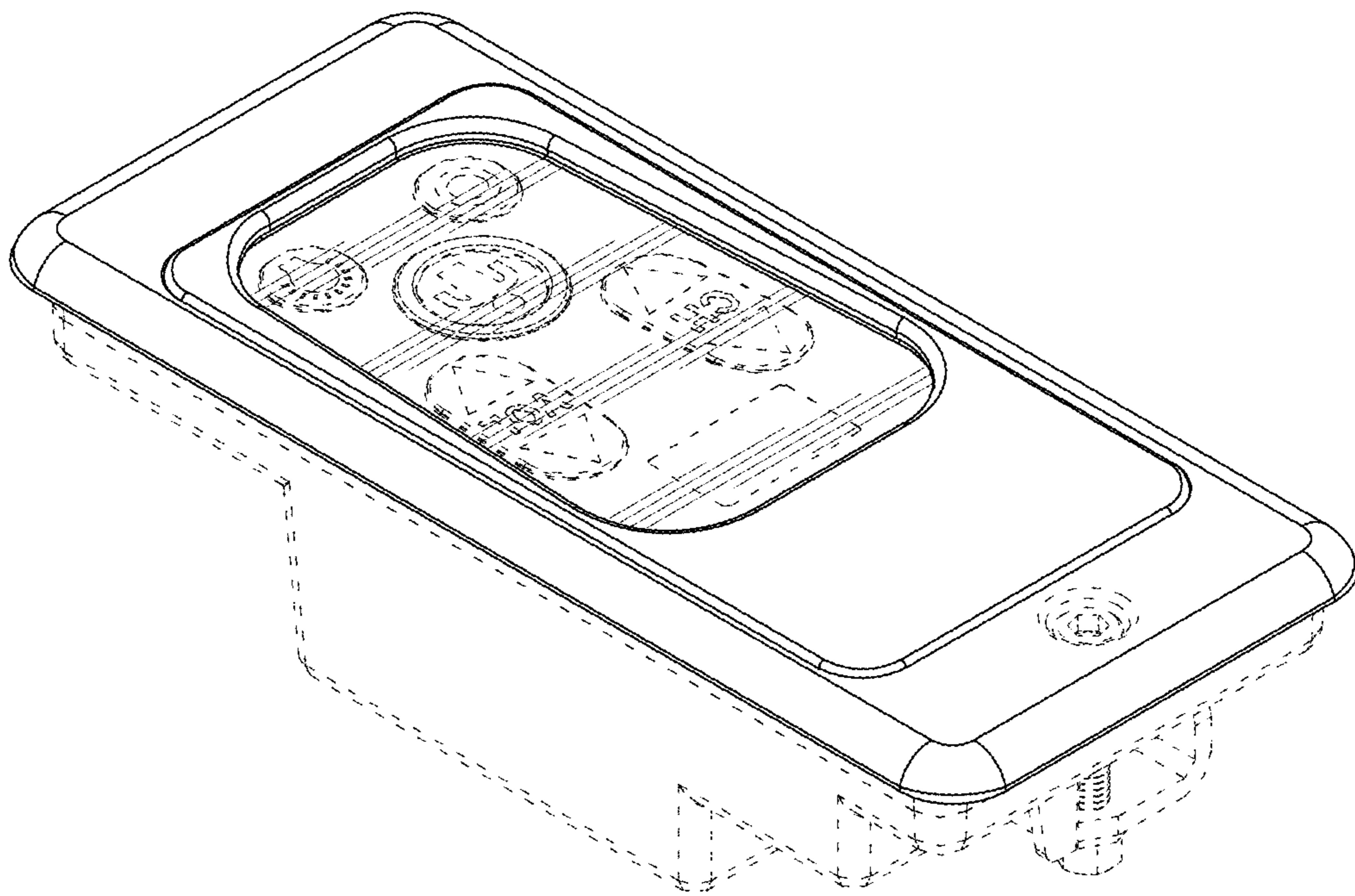


FIG. 23

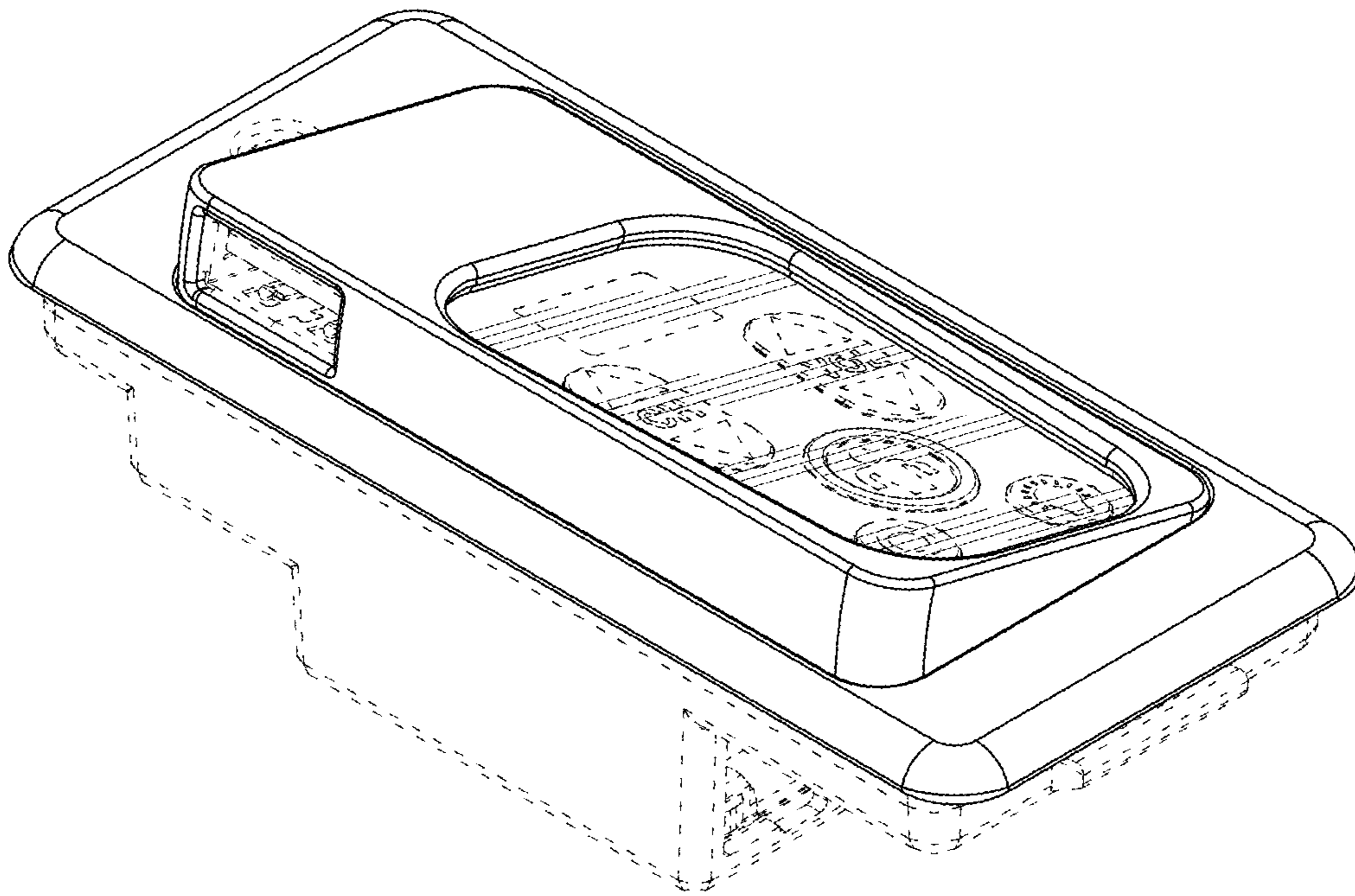


FIG.24

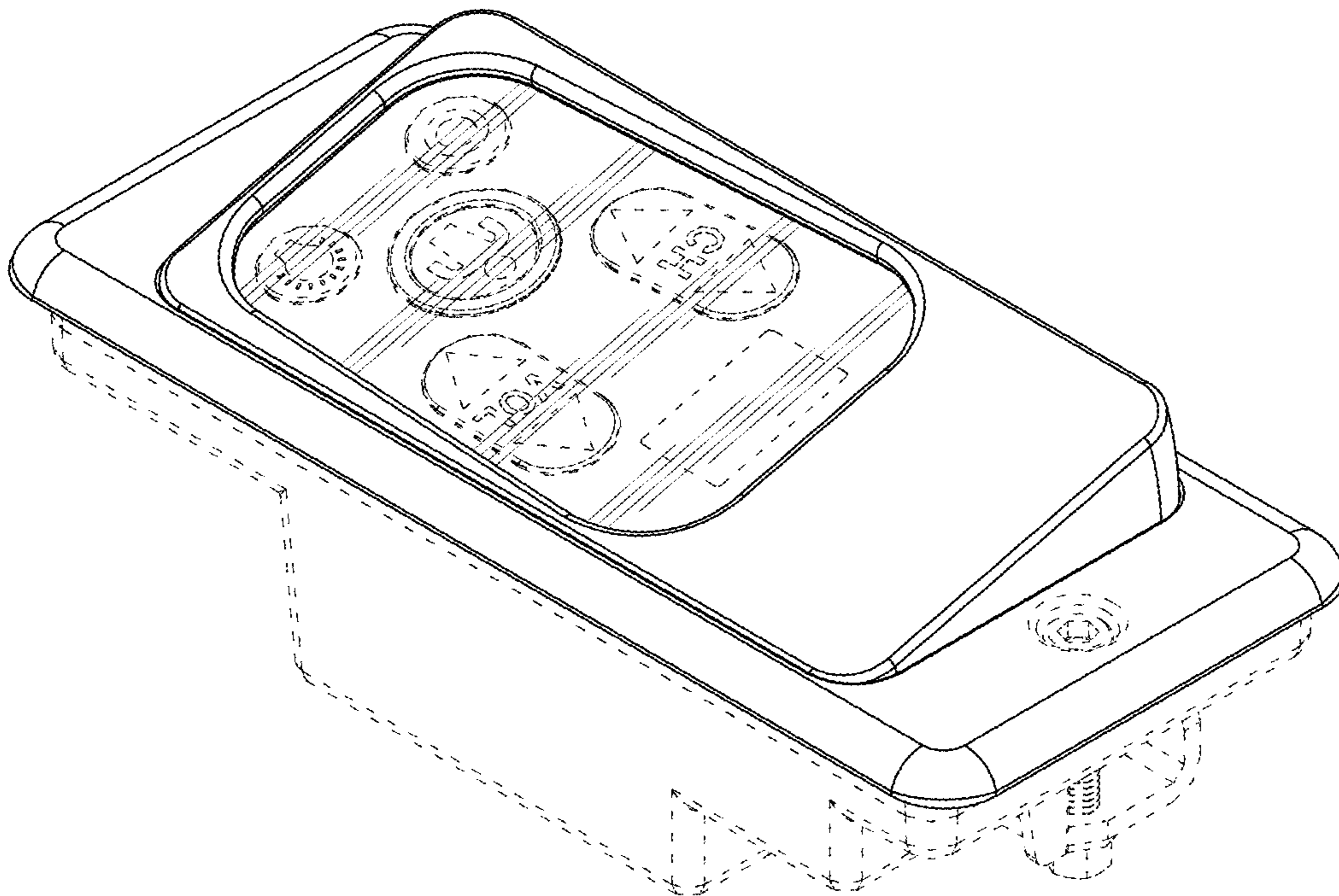


FIG.25

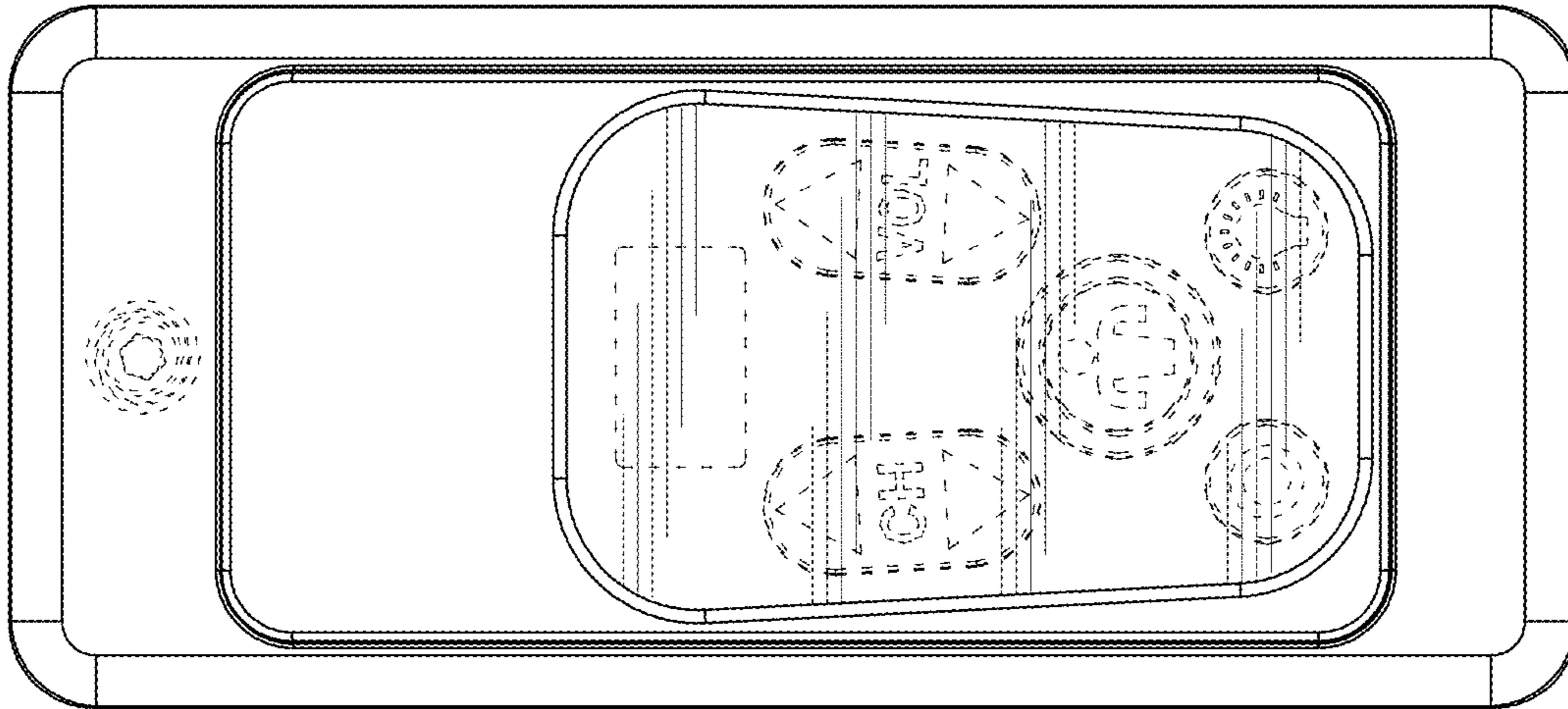


FIG.26

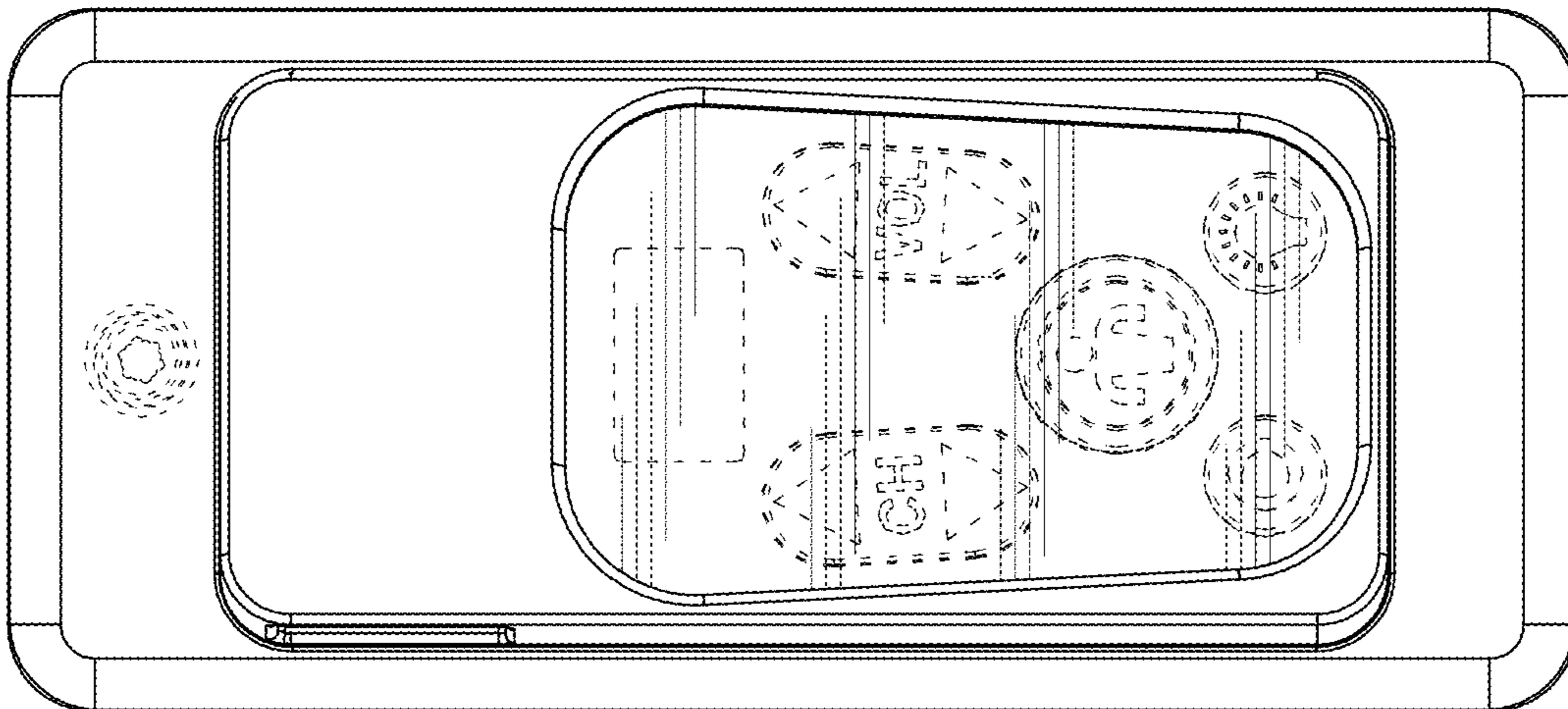


FIG.27

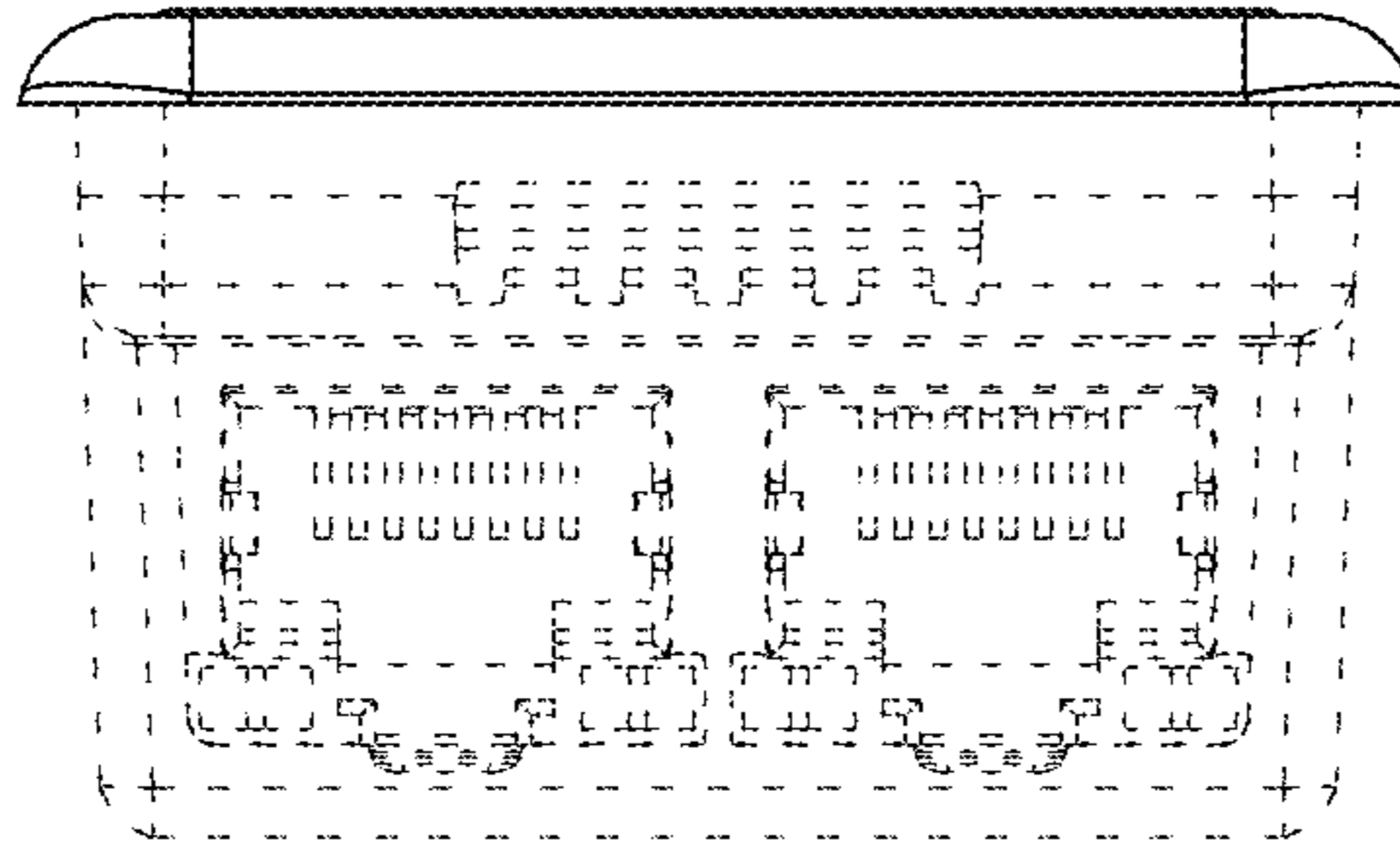


FIG. 28

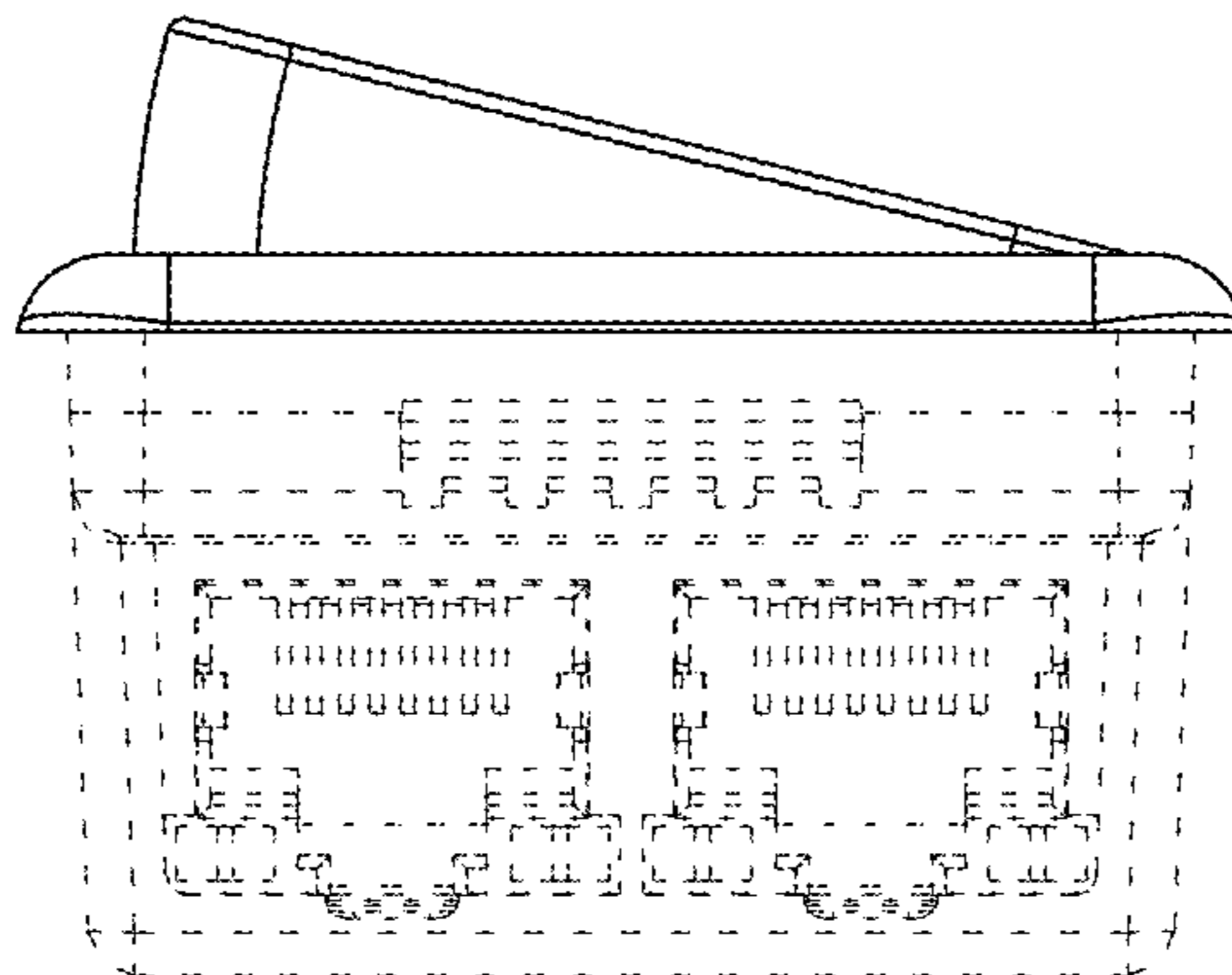


FIG. 29

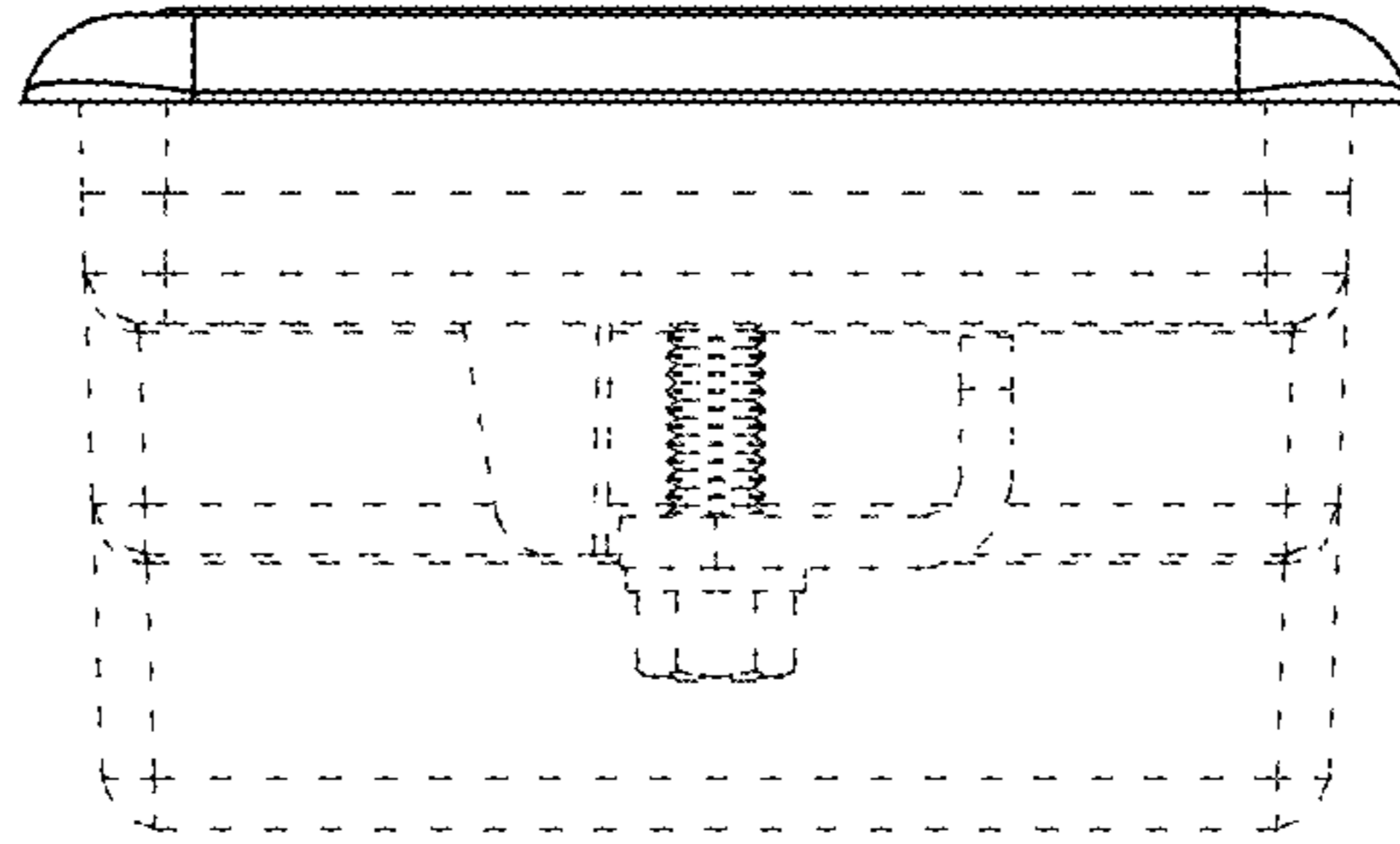


FIG.30

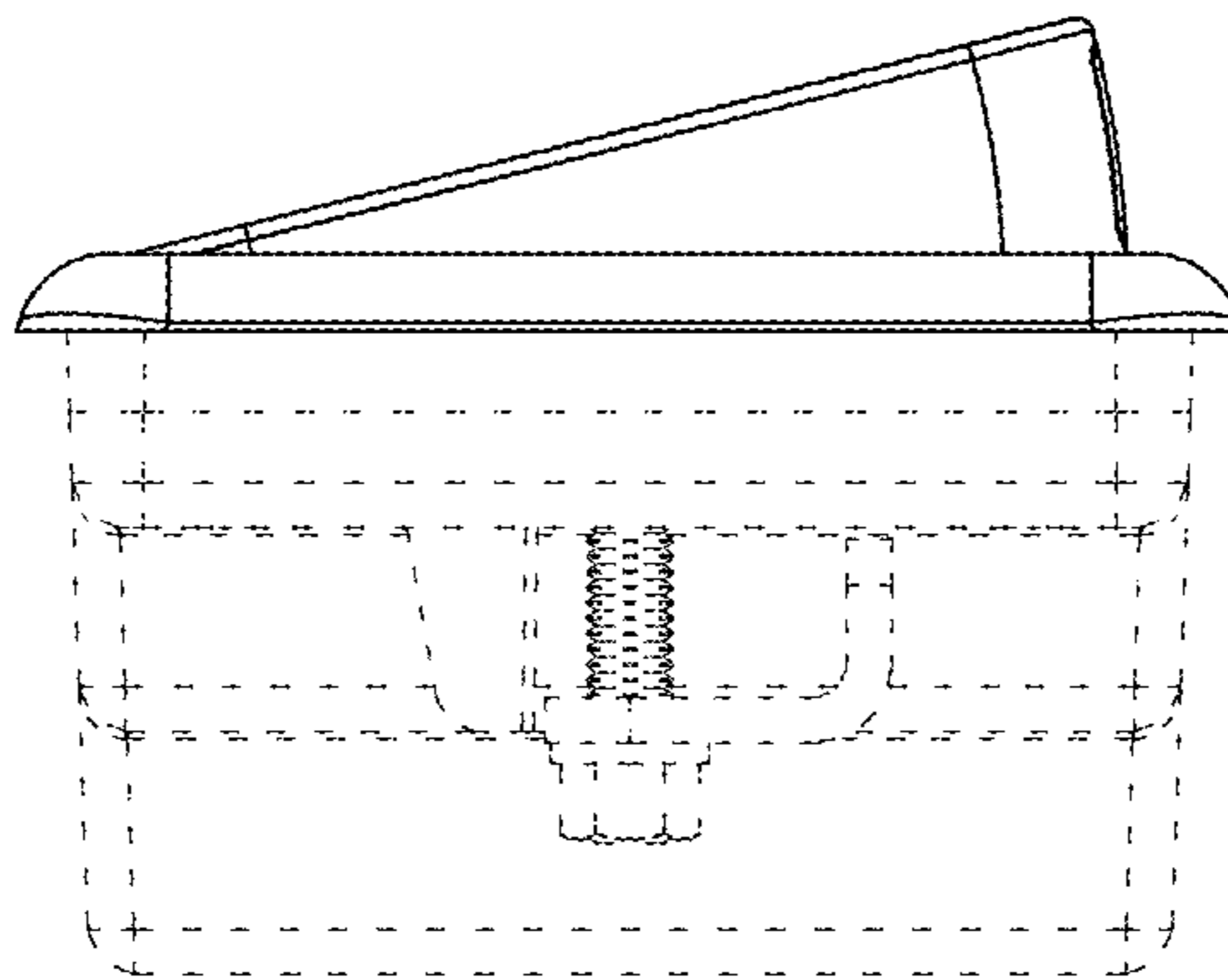


FIG.31

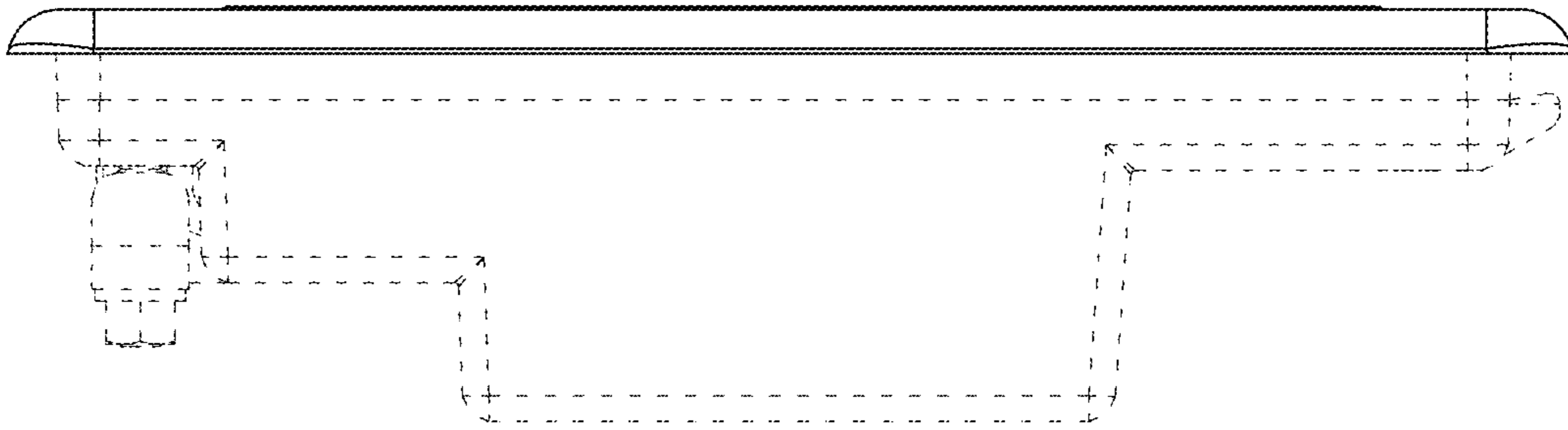


FIG.32

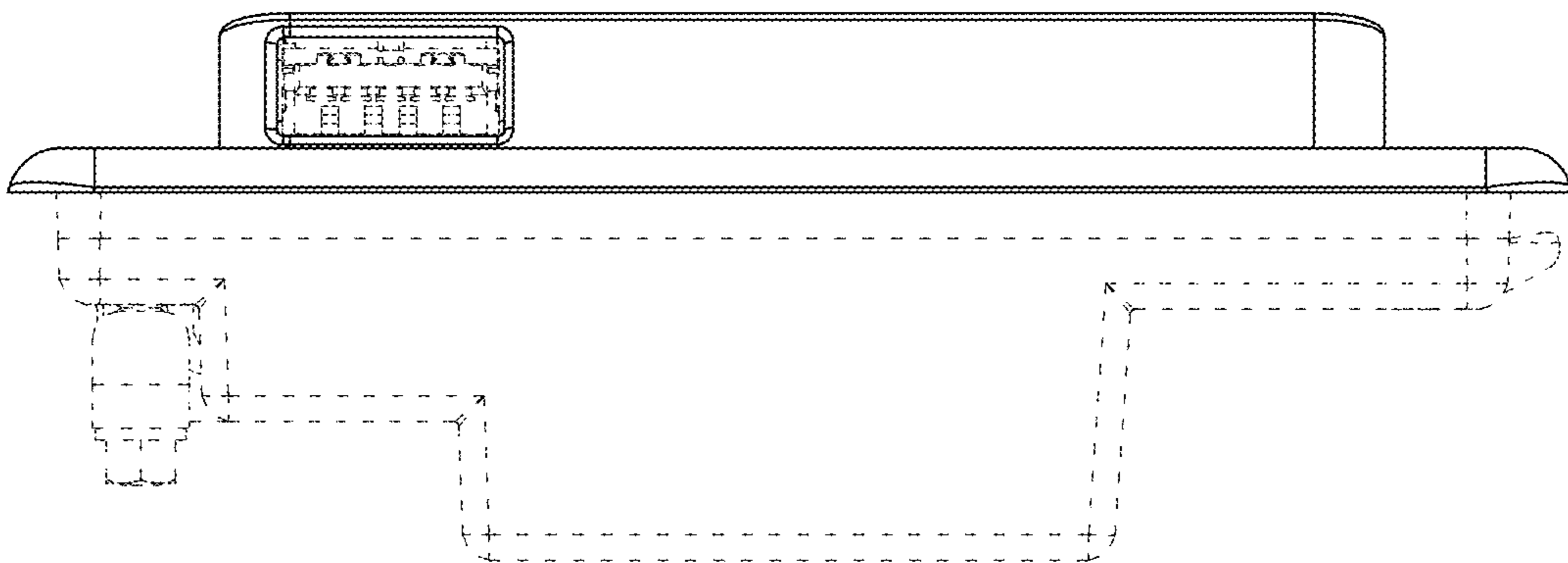


FIG.33

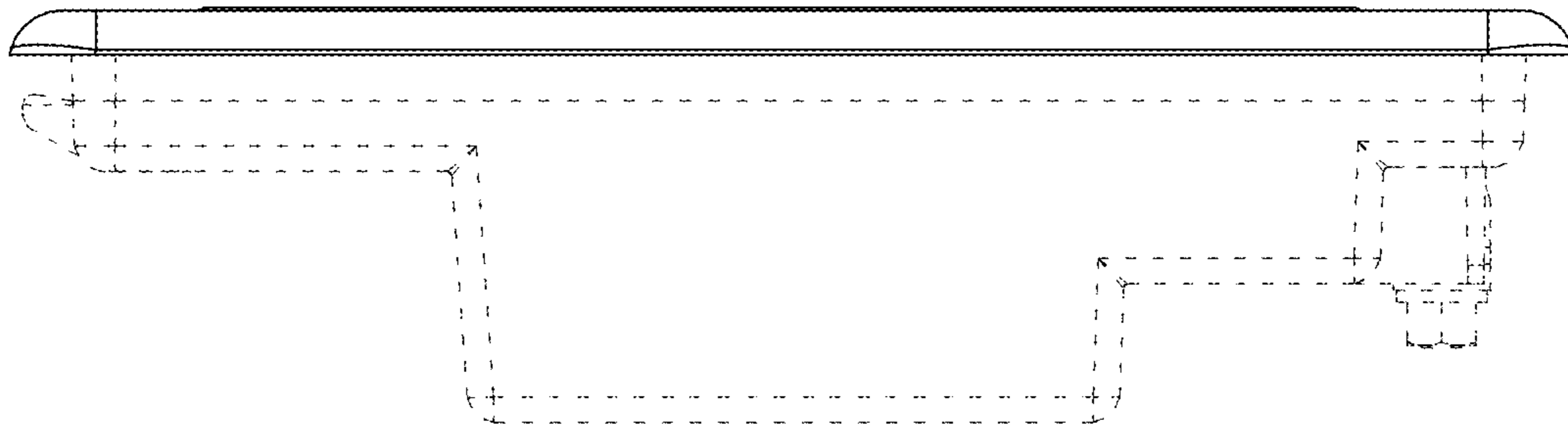


FIG.34

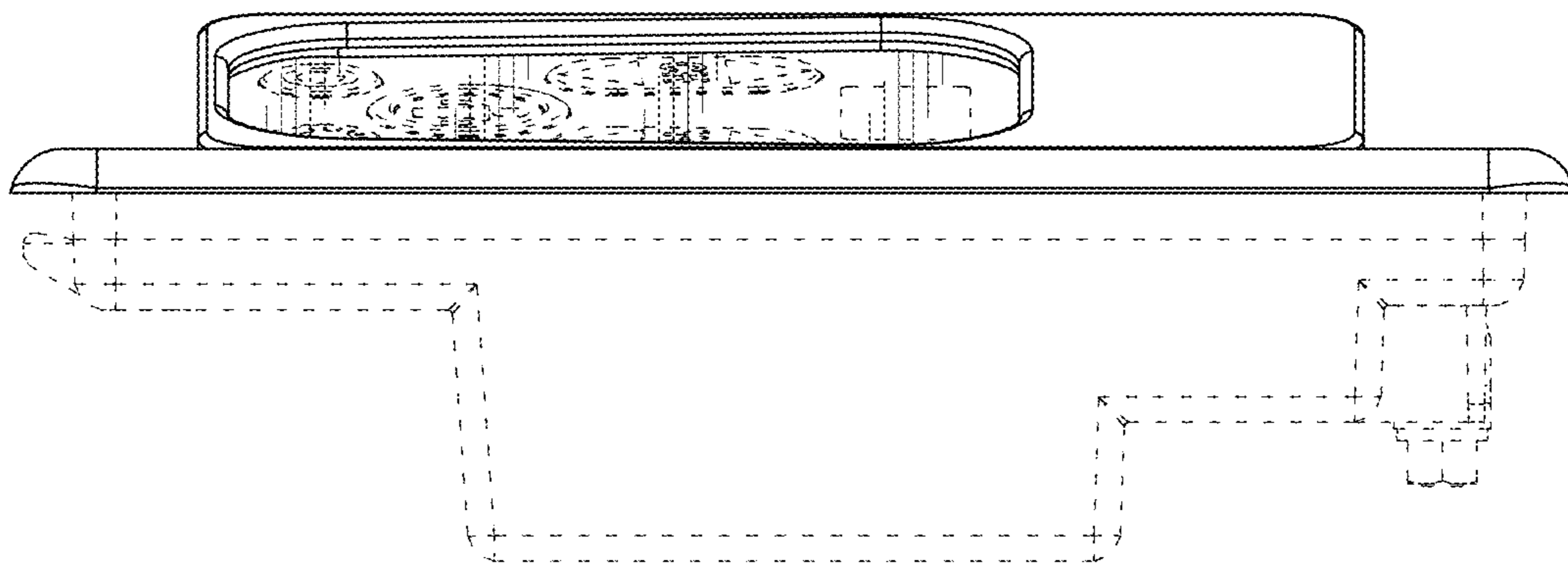


FIG.35

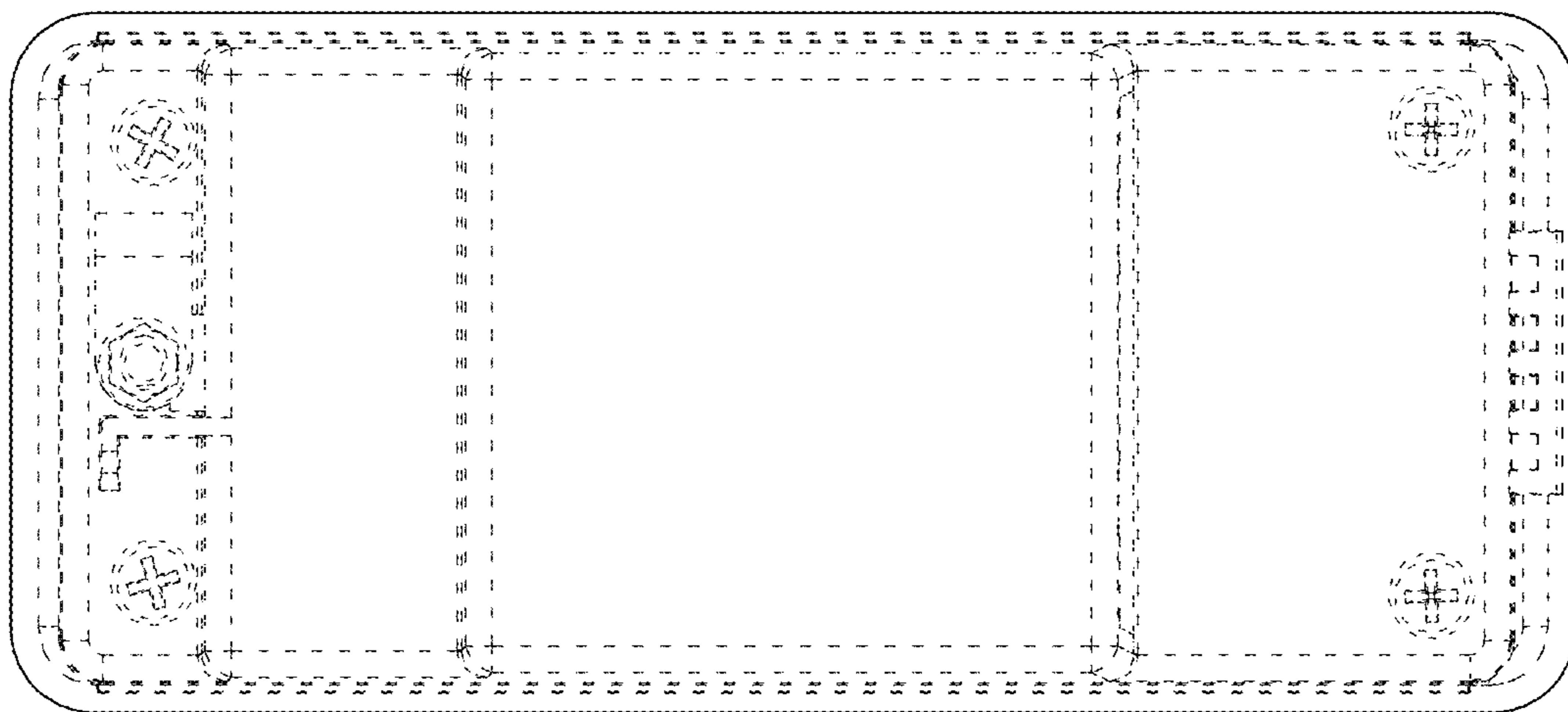


FIG.36

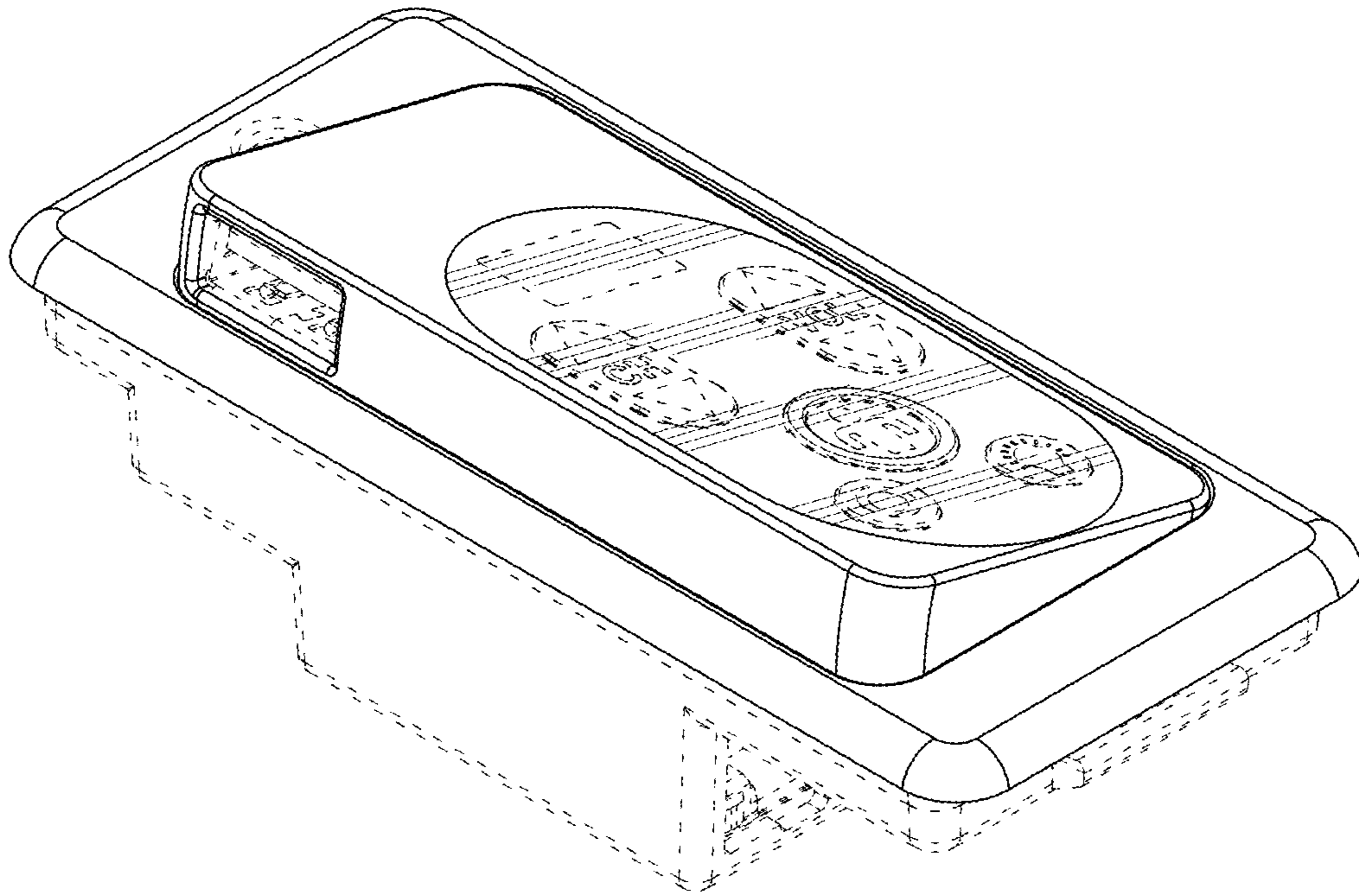


FIG.37

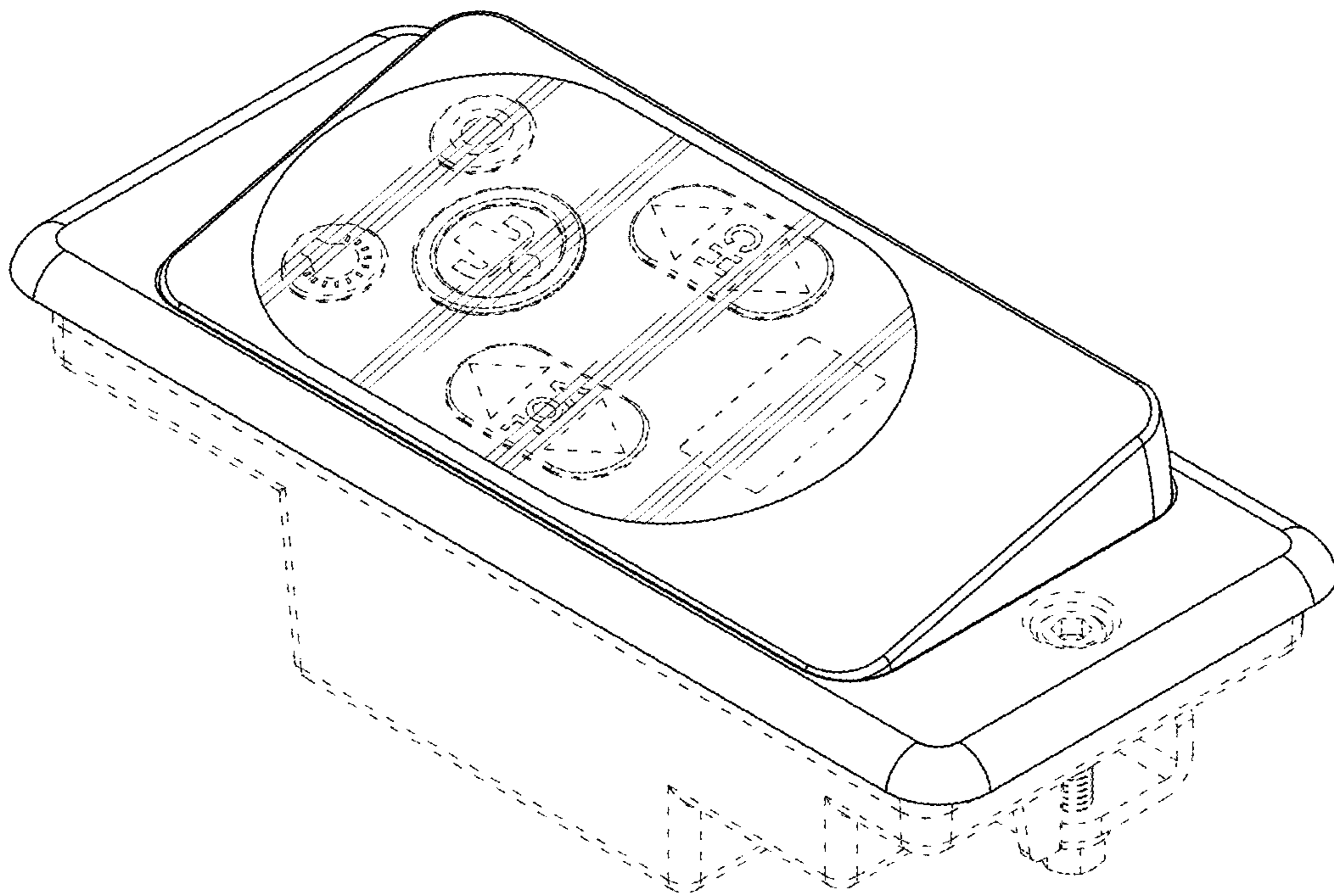


FIG.38

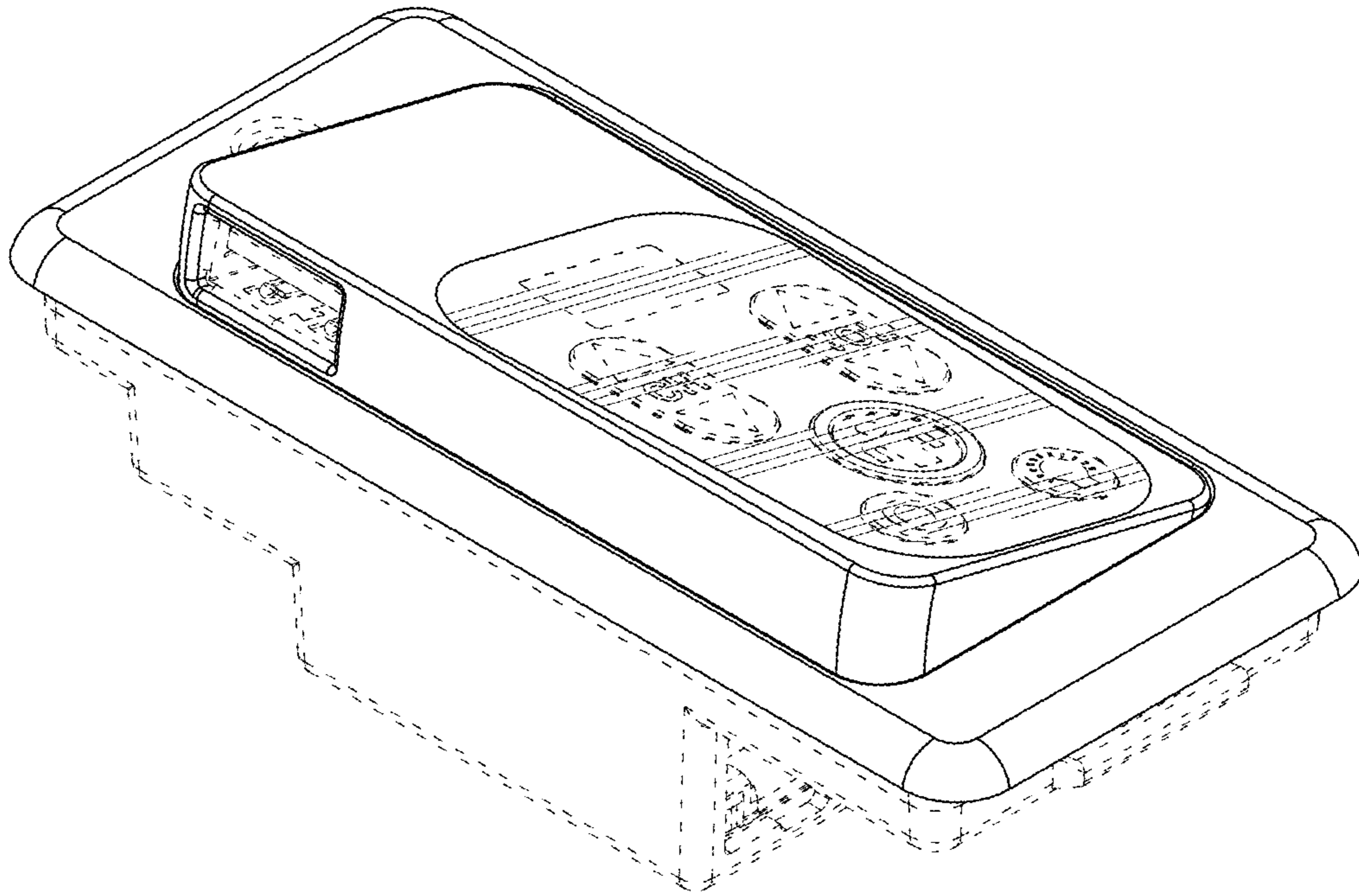


FIG.39

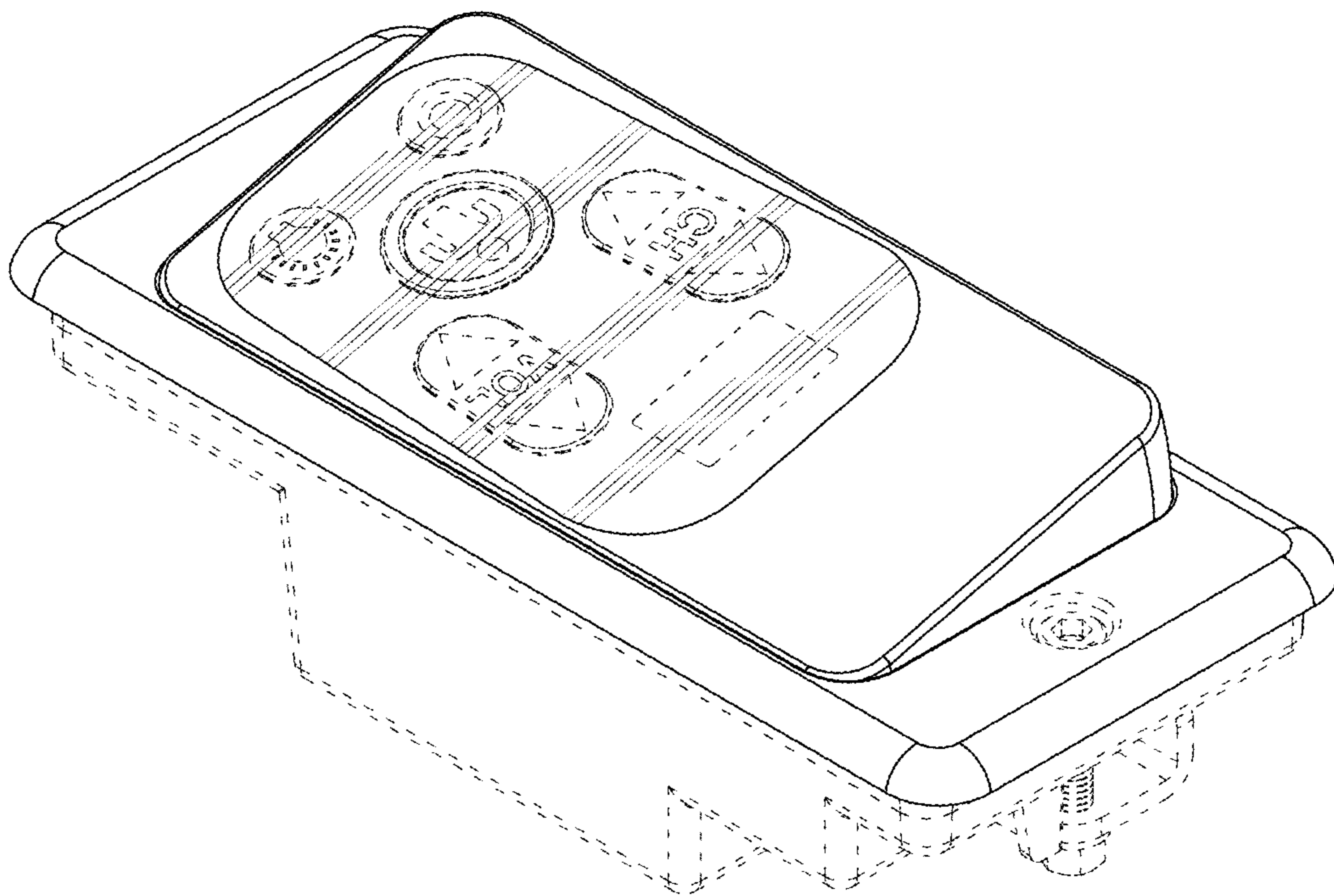


FIG.40

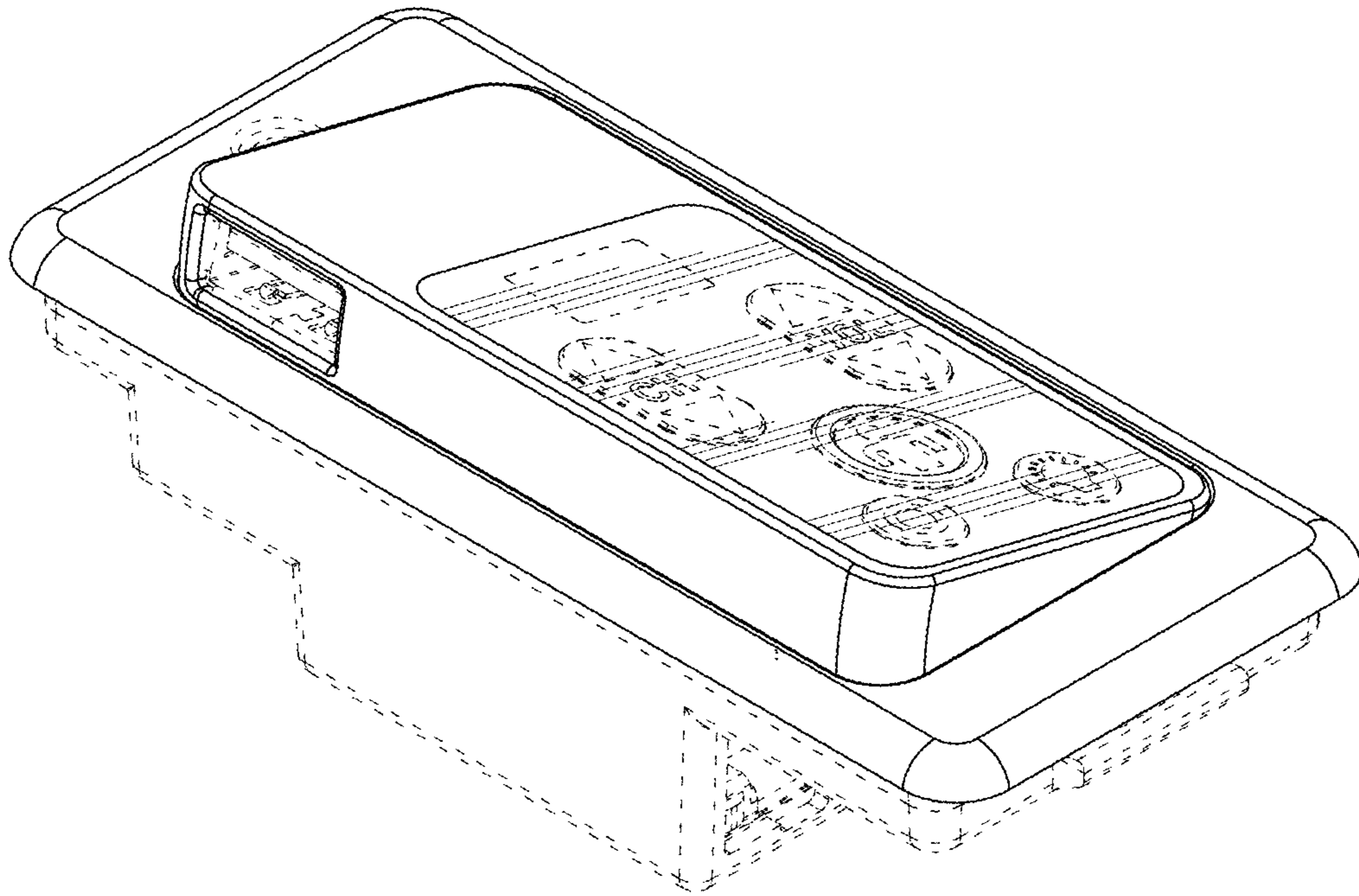


FIG. 41

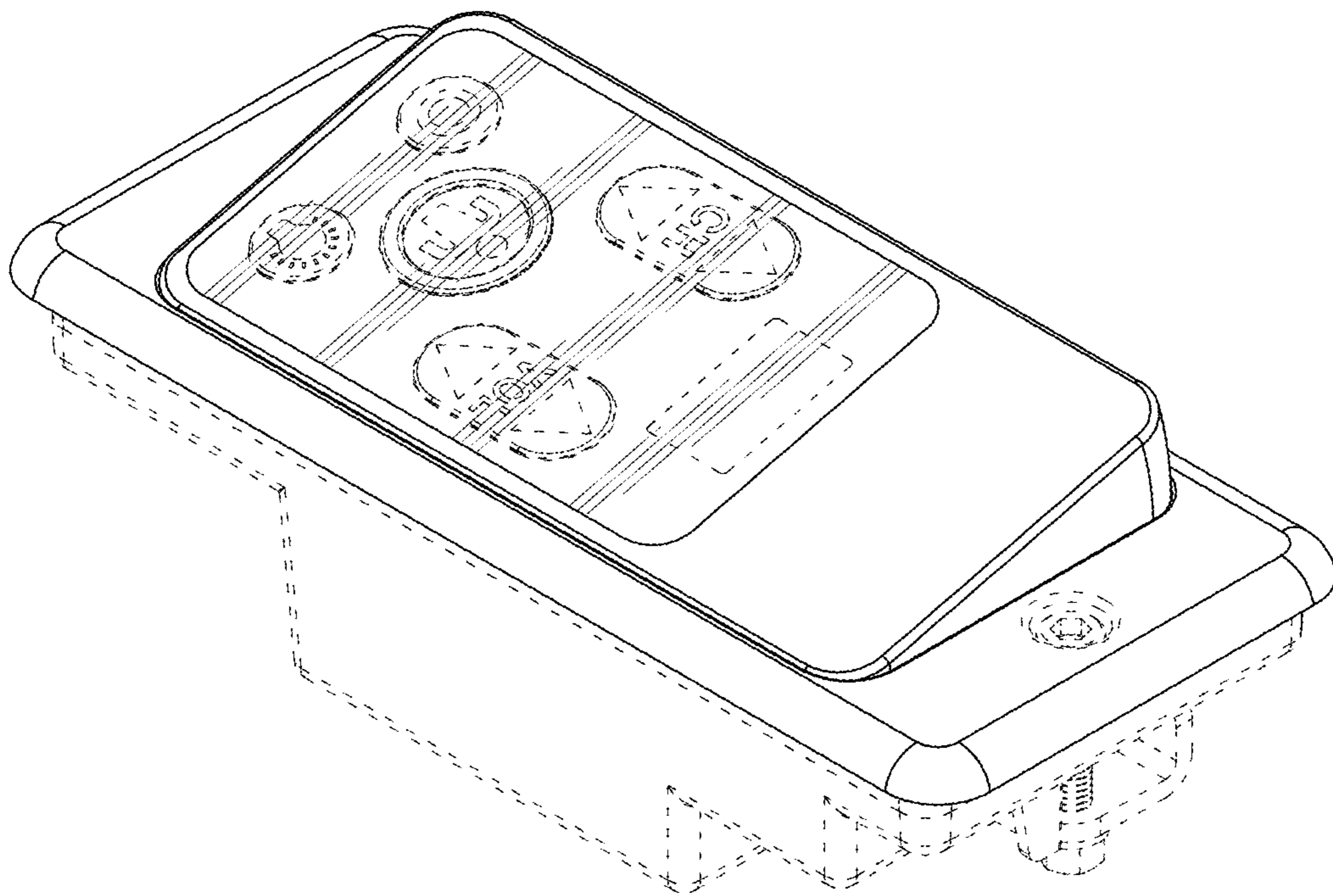


FIG. 42

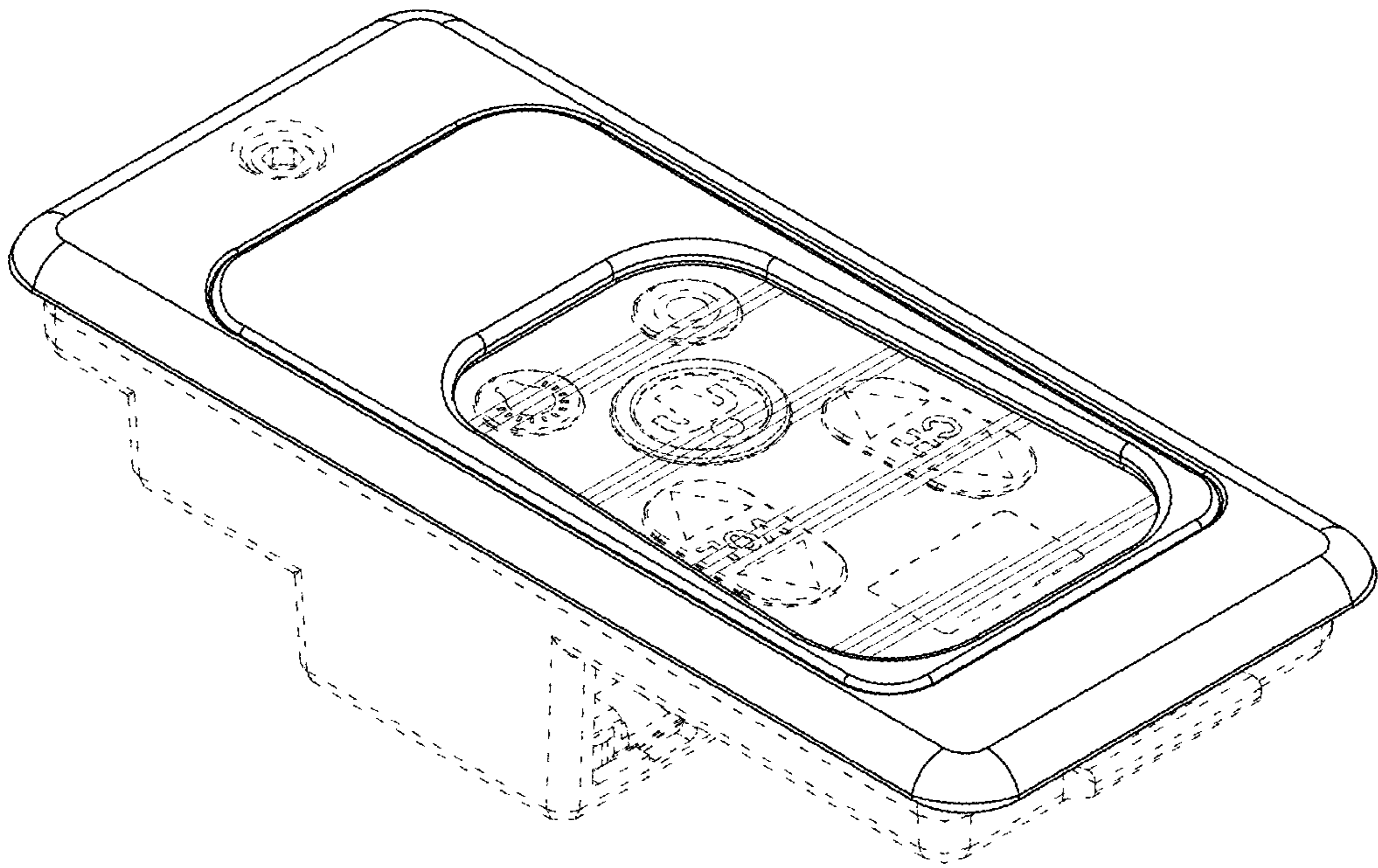


FIG. 43

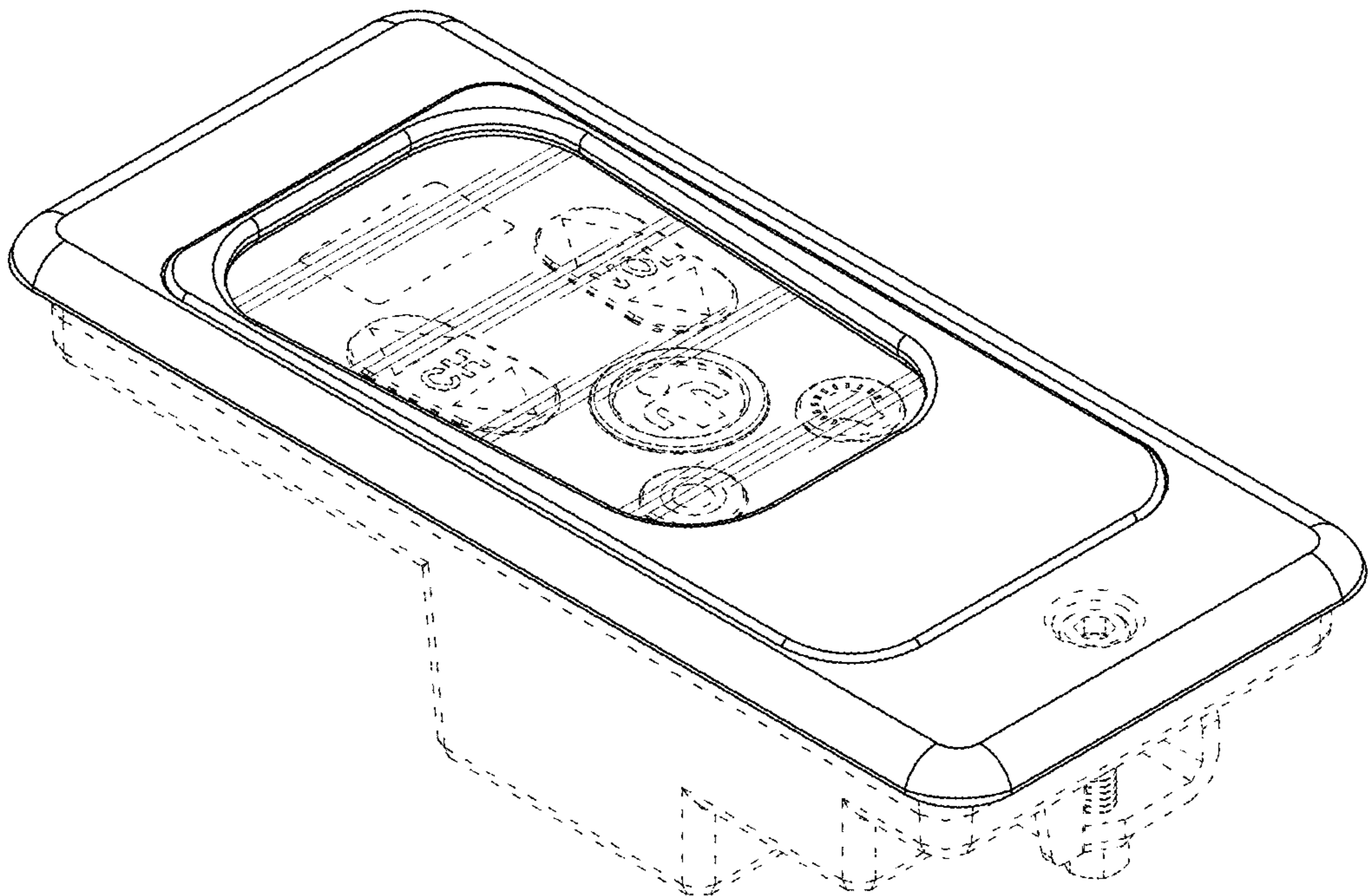


FIG. 44

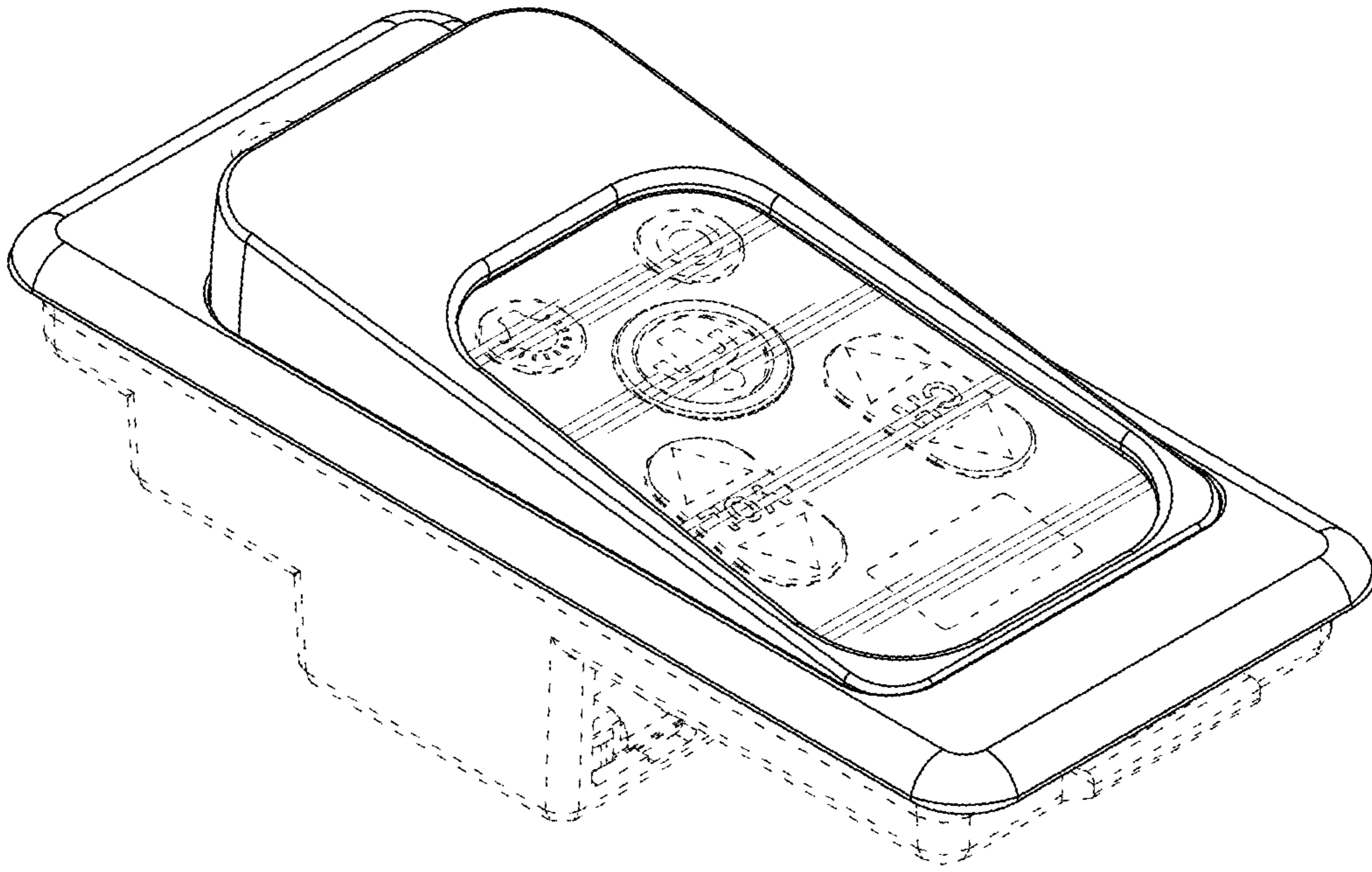


FIG.45

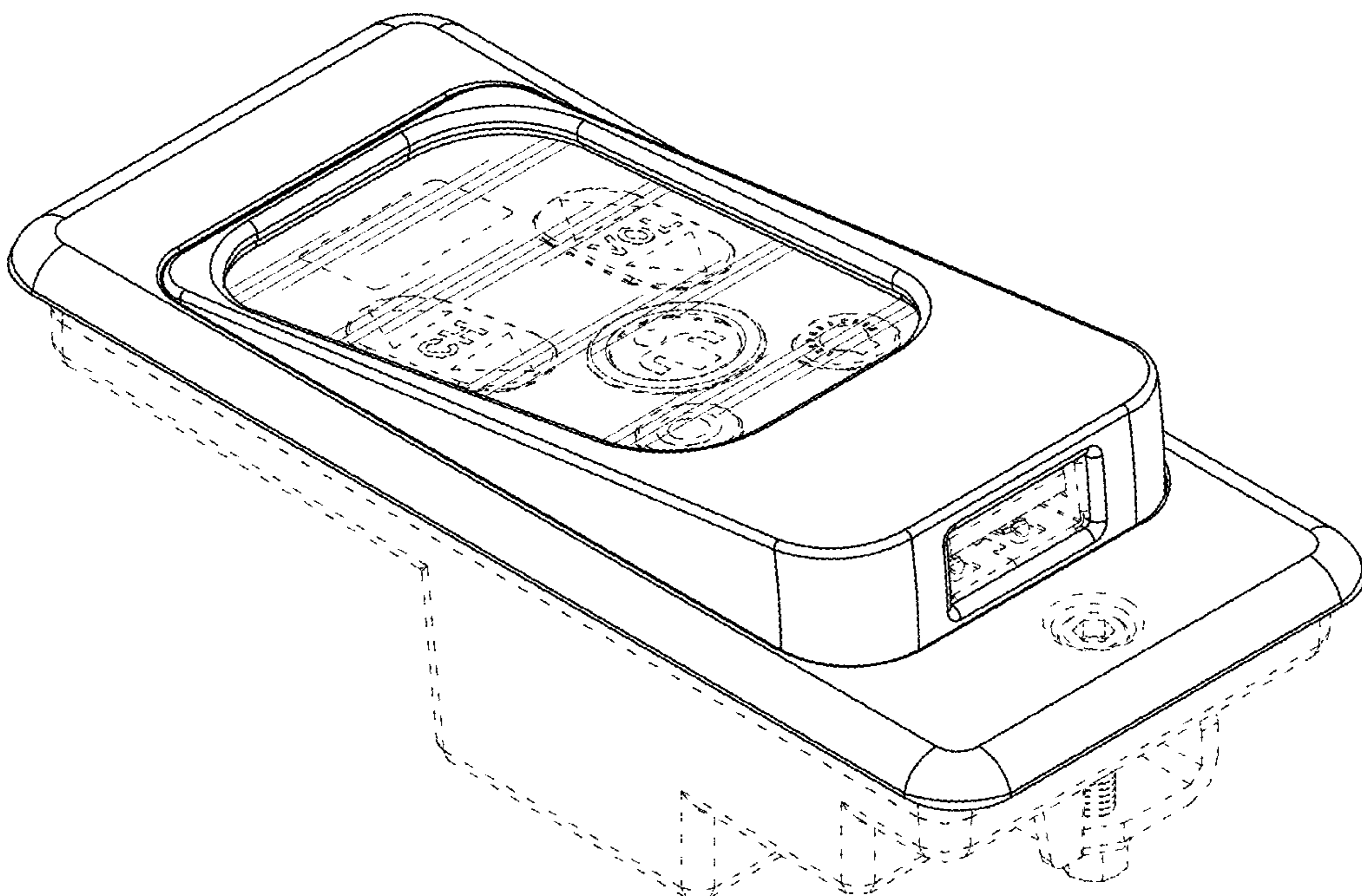


FIG.46

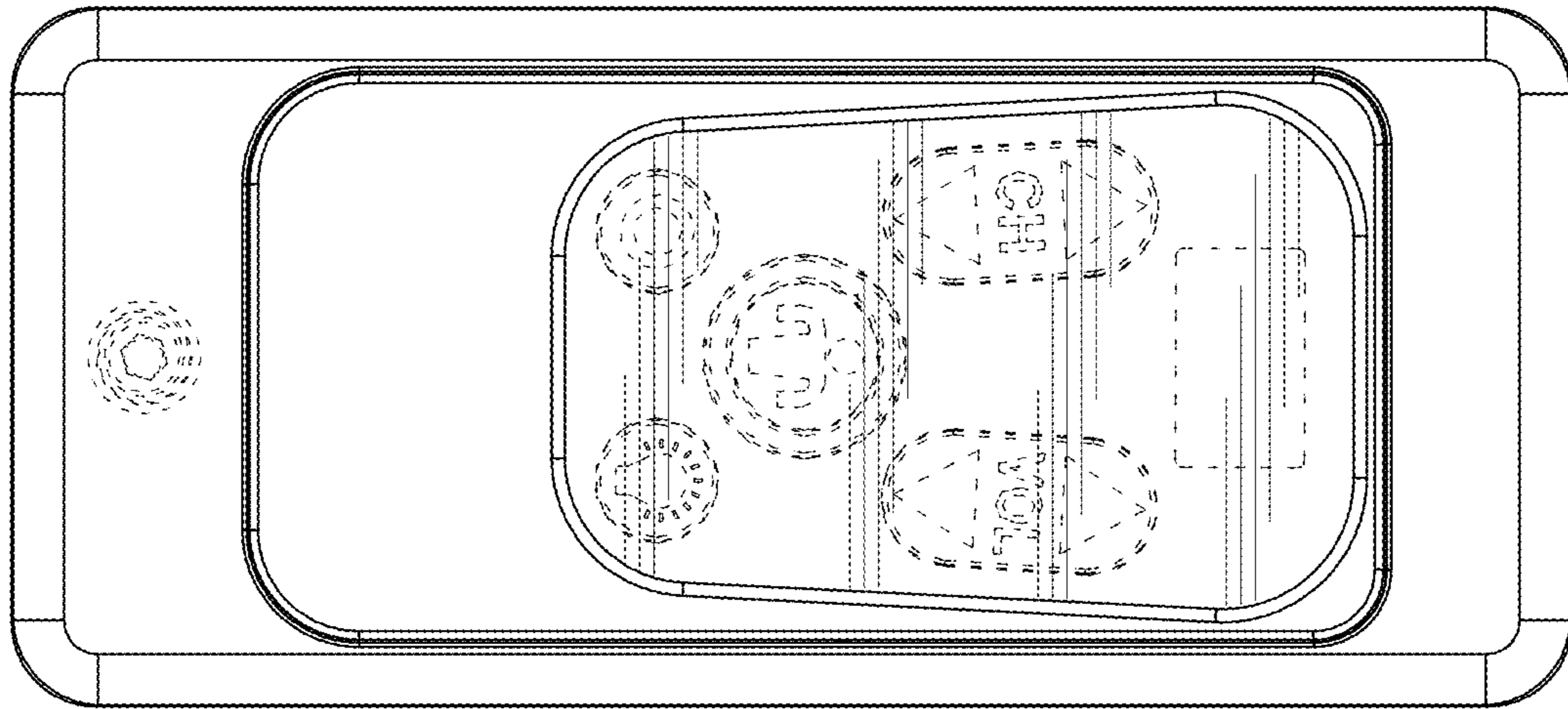


FIG. 47

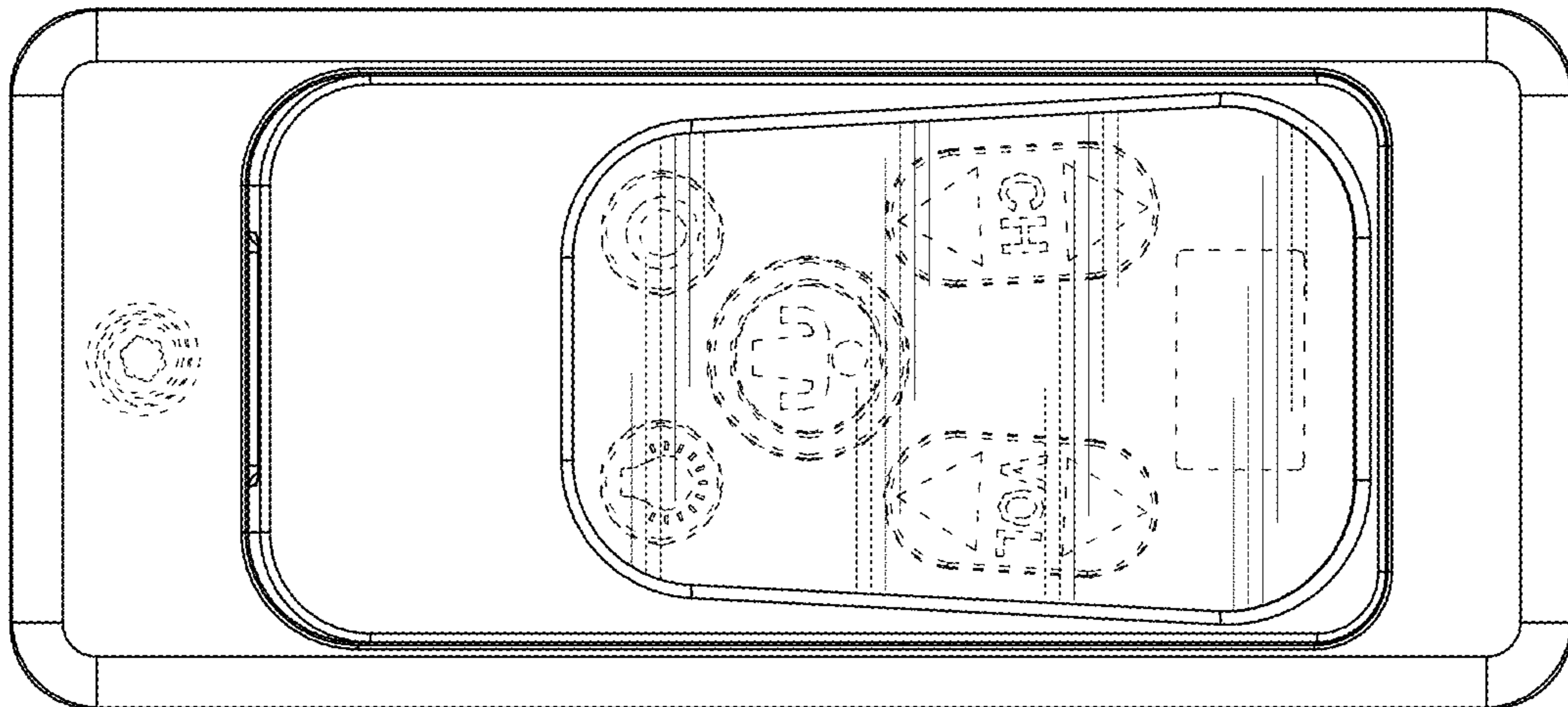


FIG. 48

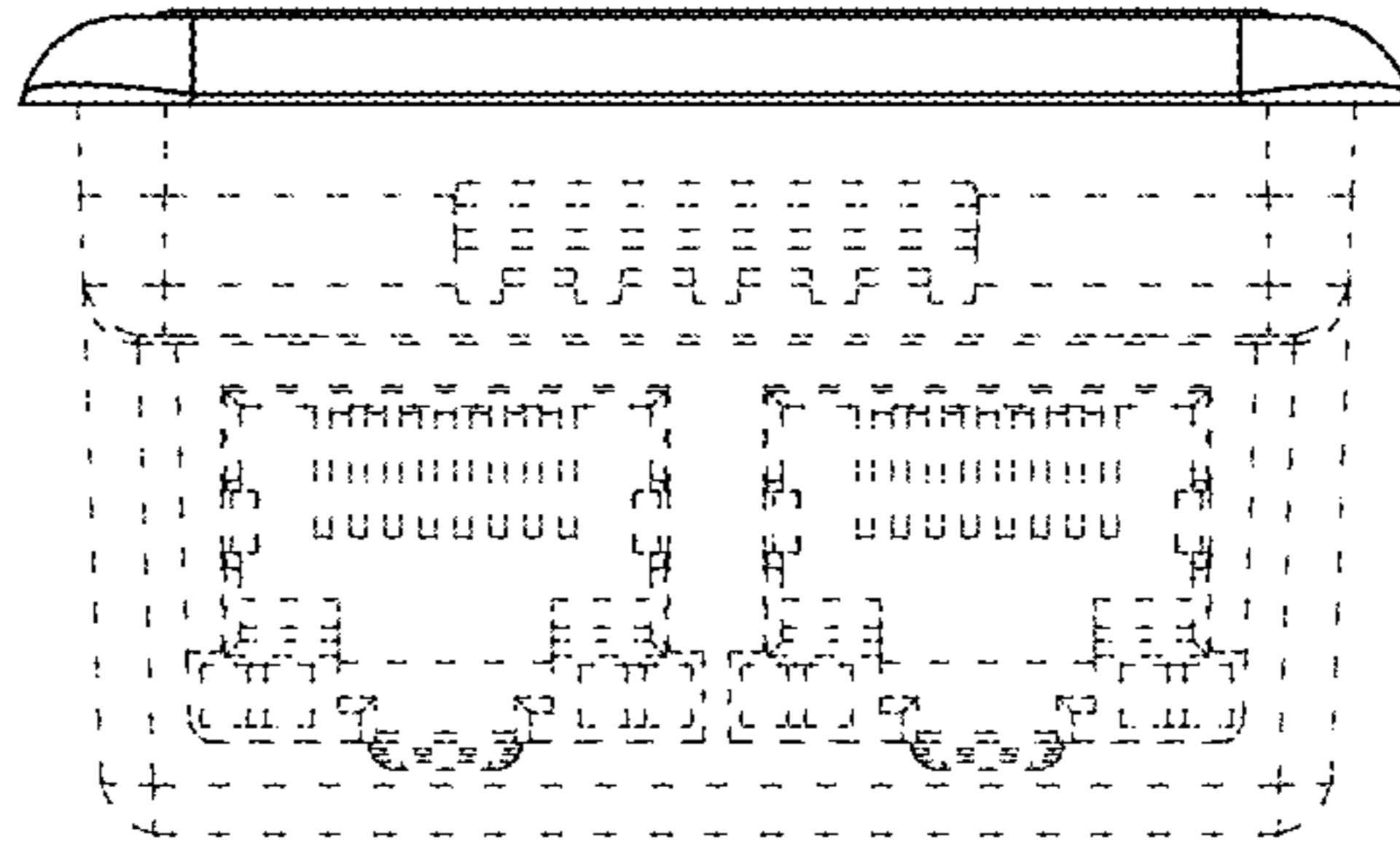


FIG. 49

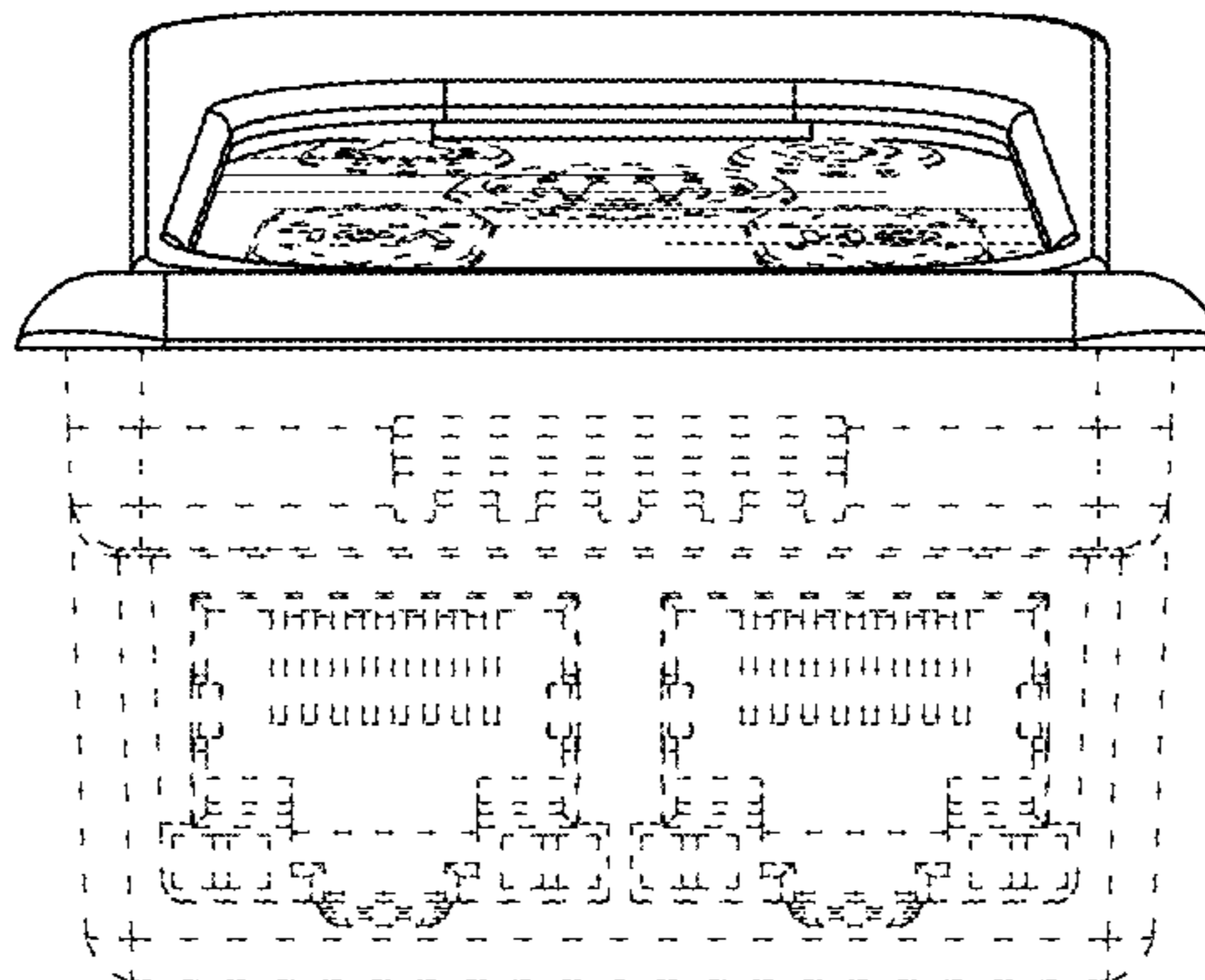


FIG. 50

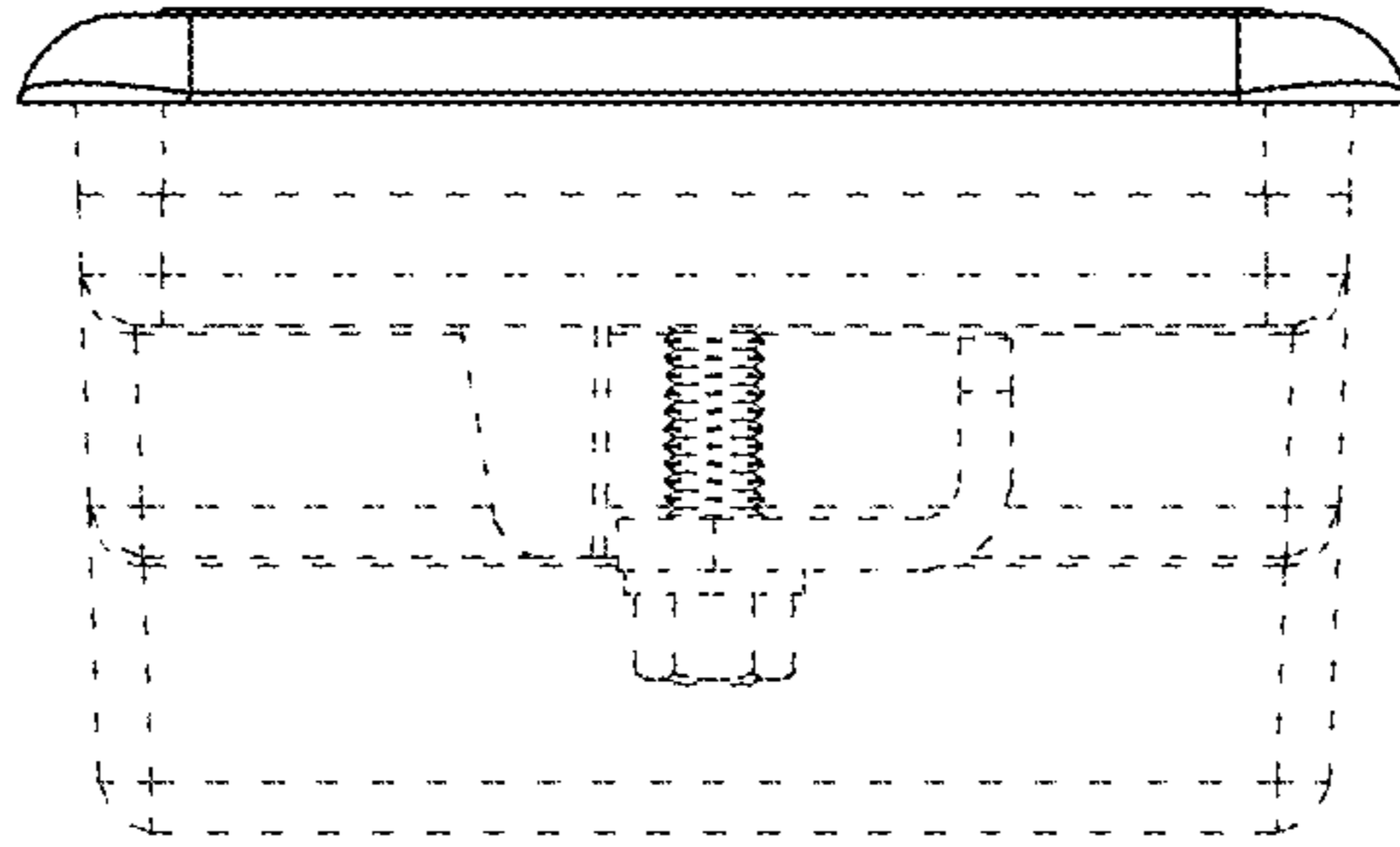


FIG. 51

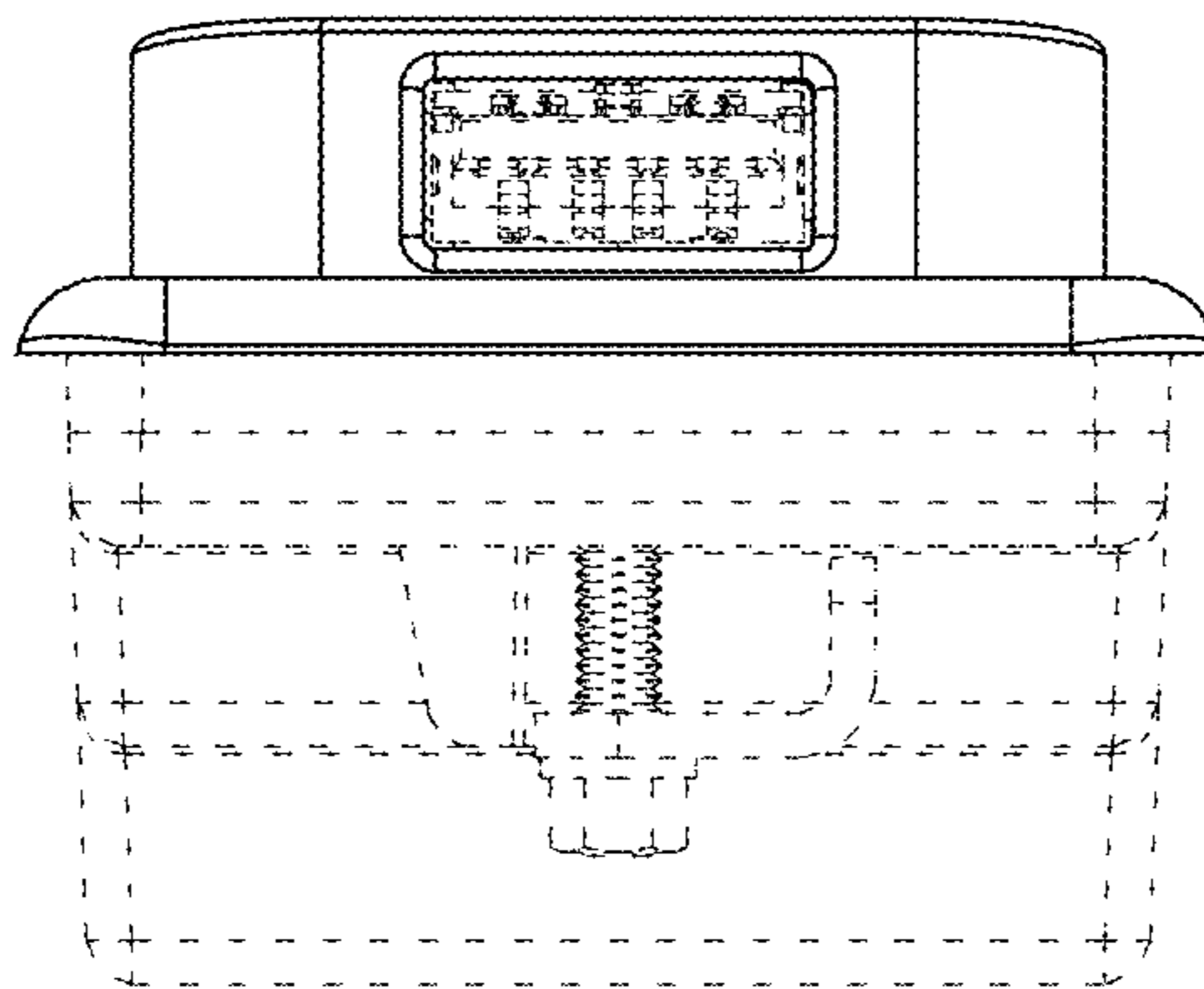


FIG. 52

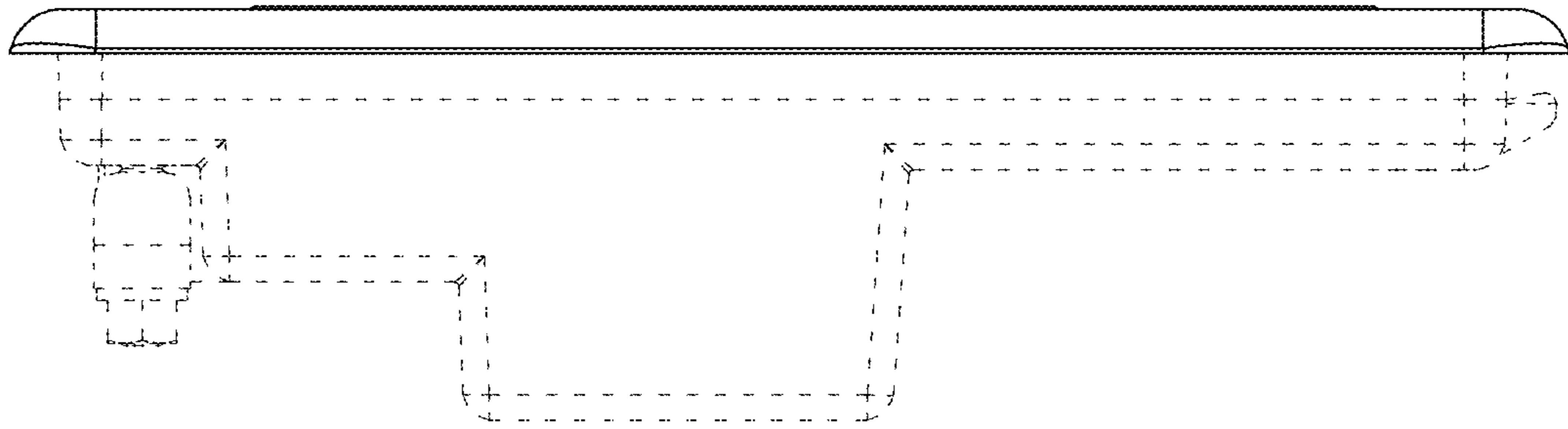


FIG. 53

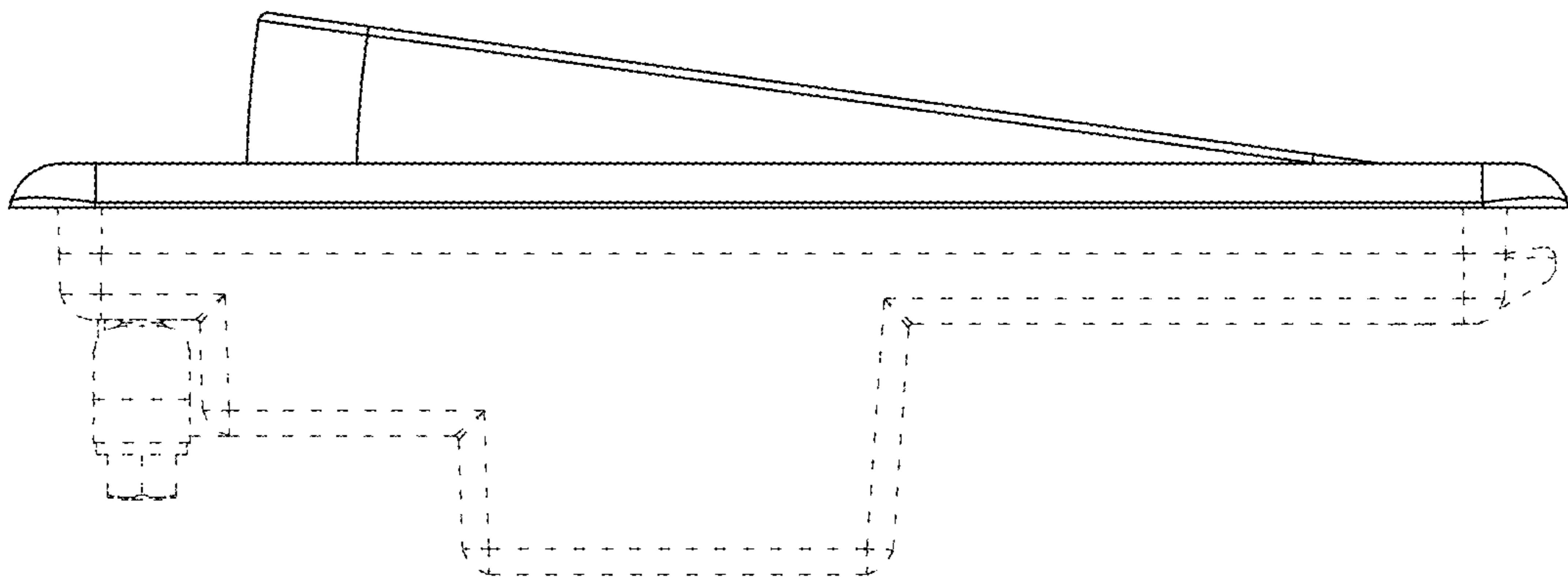


FIG. 54

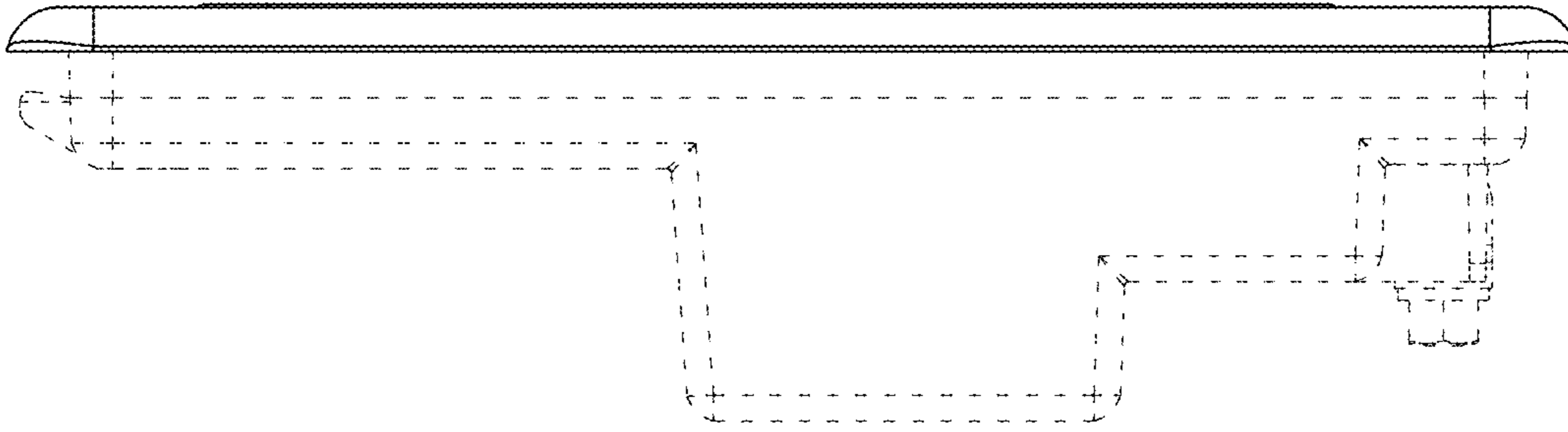


FIG.55

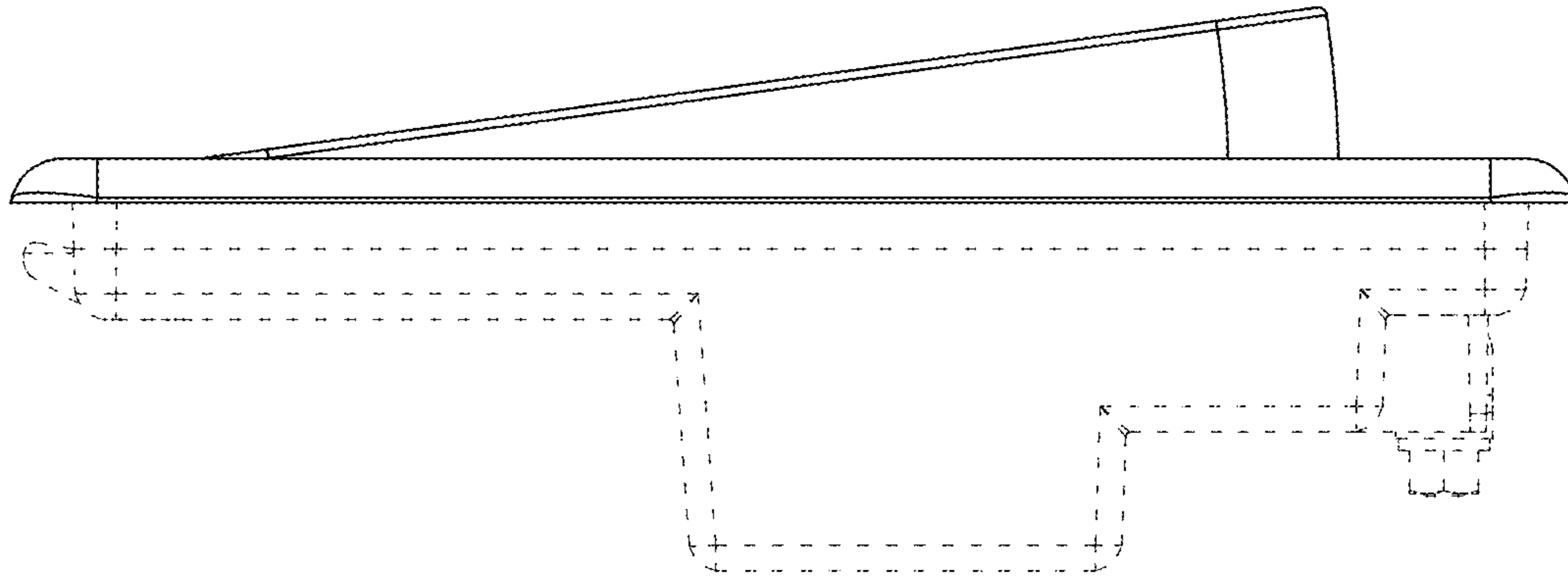


FIG.56

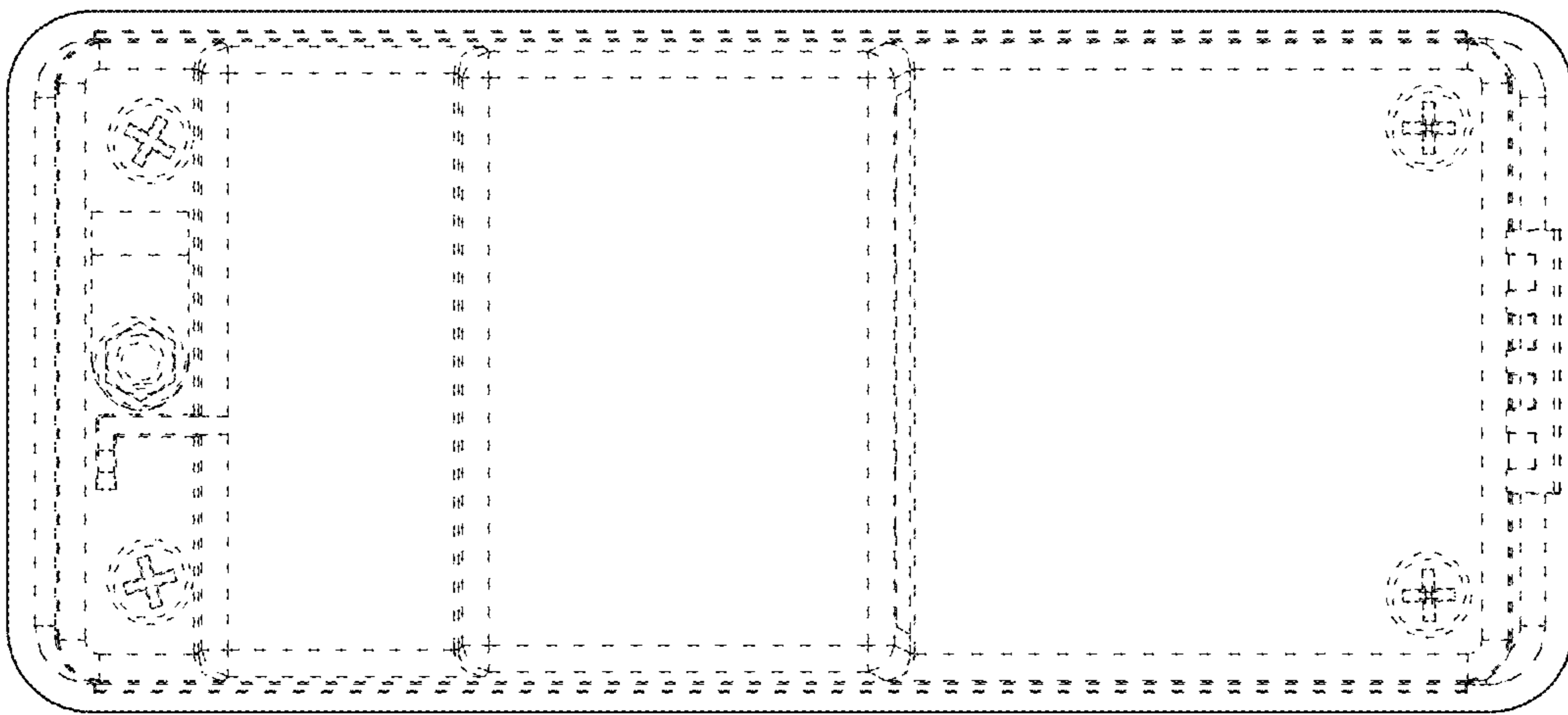


FIG. 57

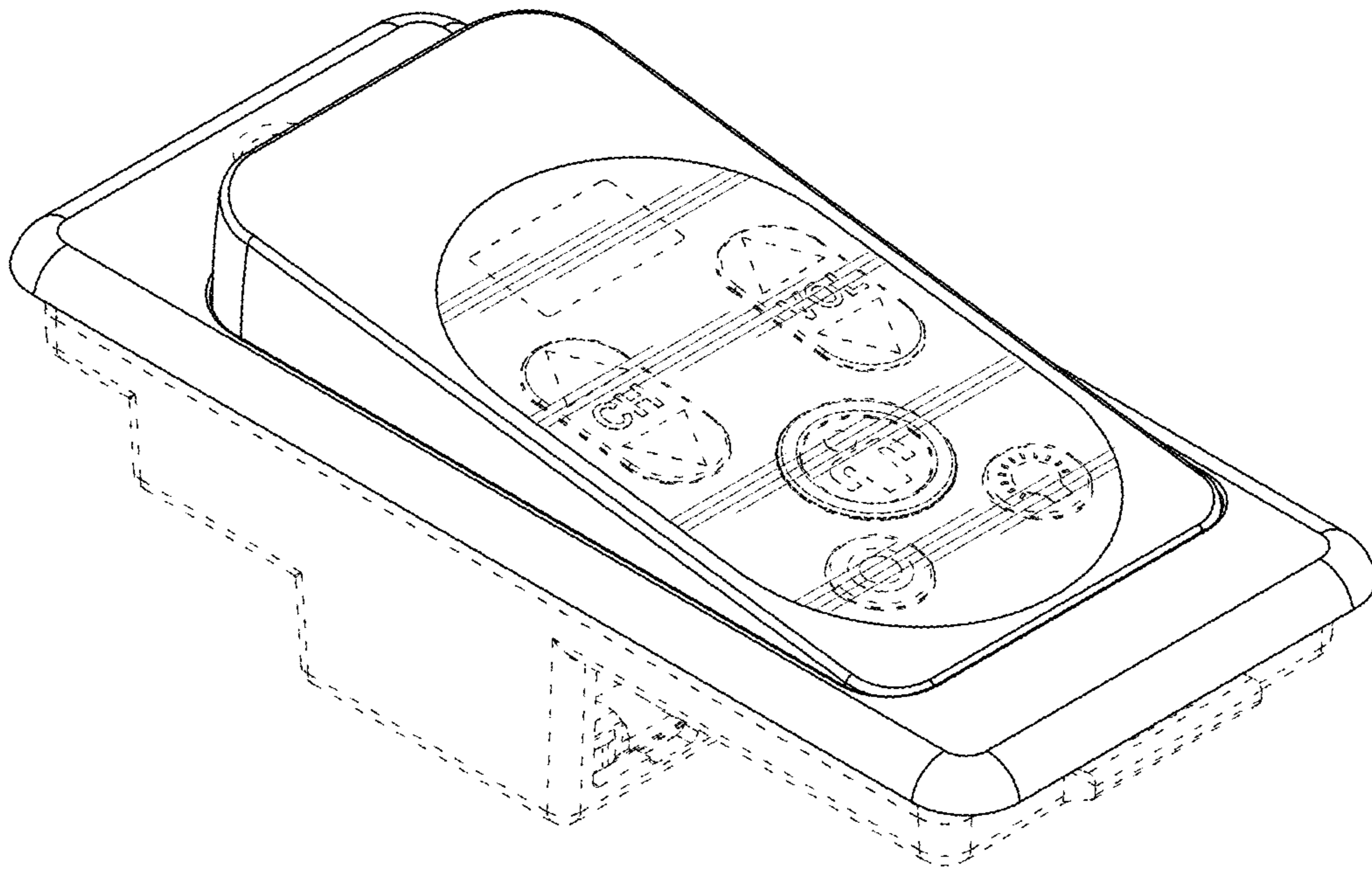


FIG.58

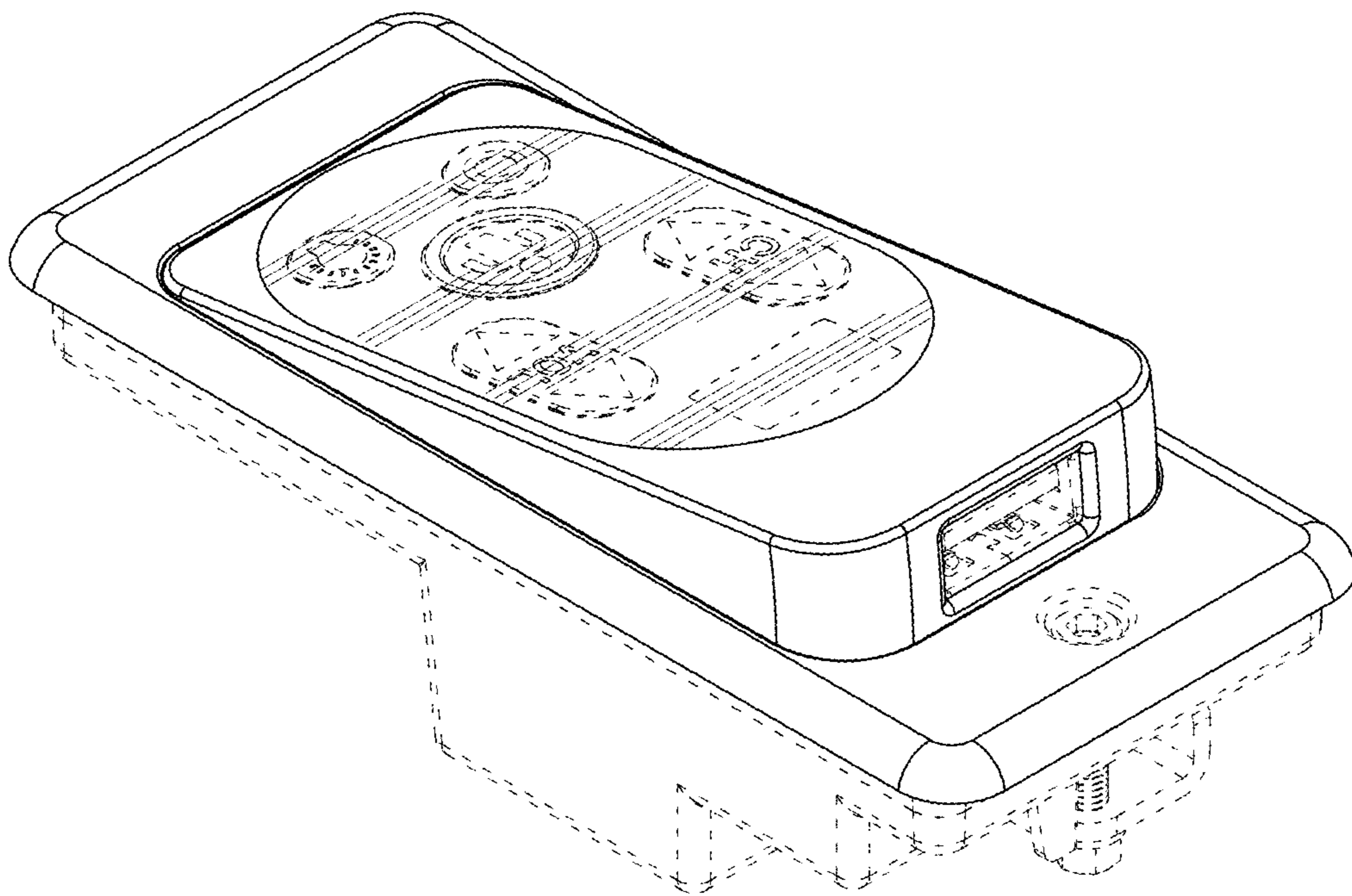


FIG.59

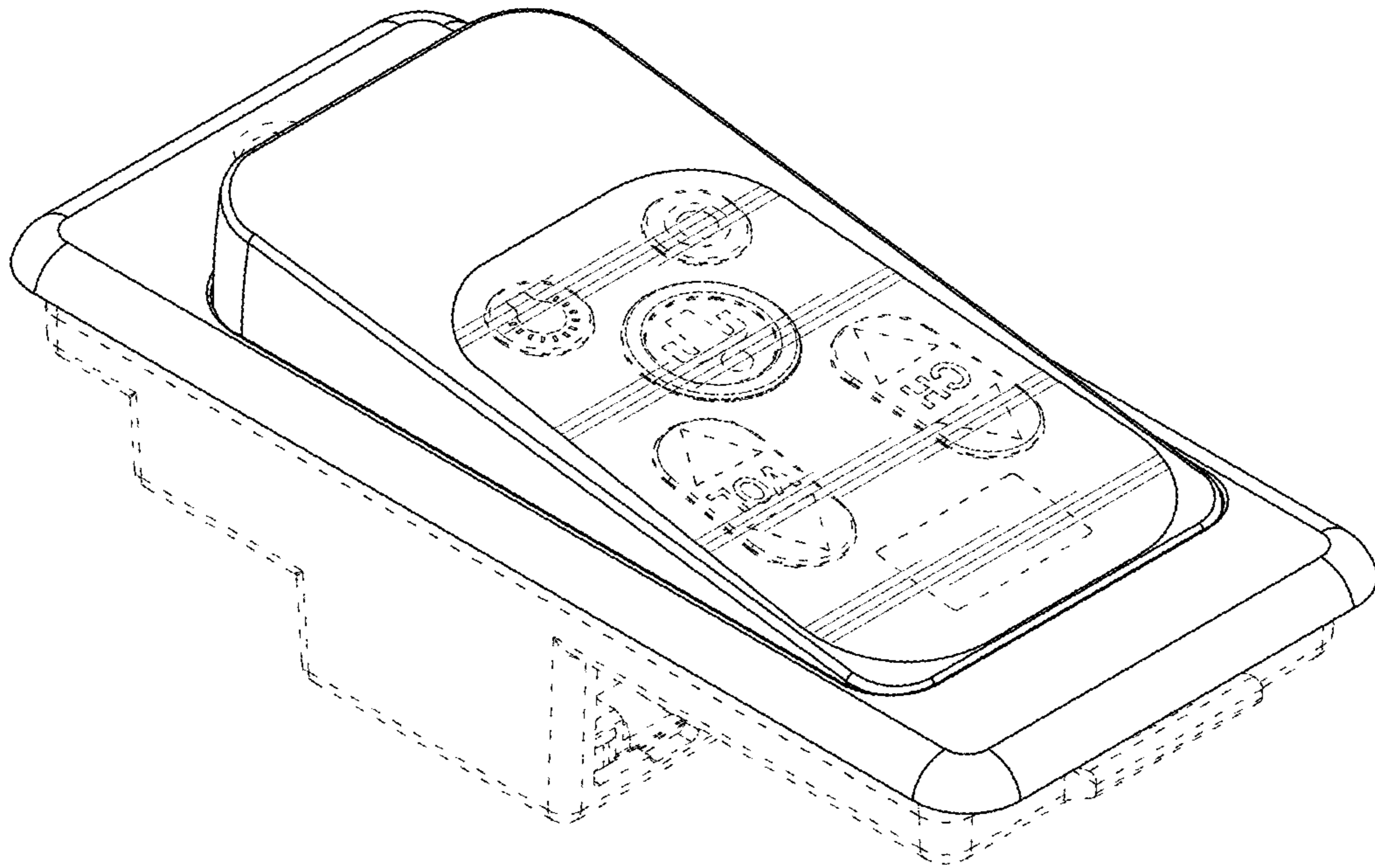


FIG. 60

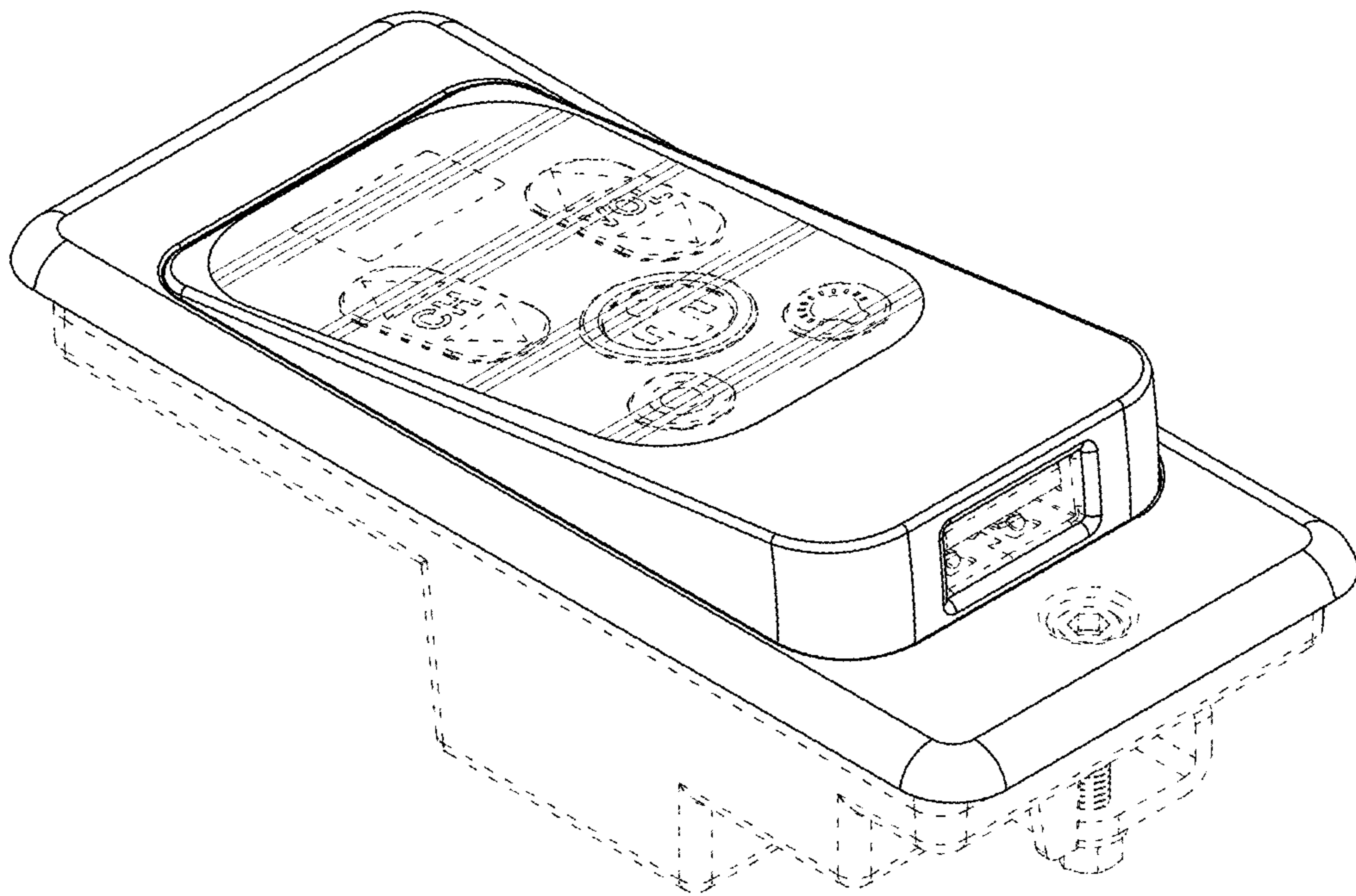


FIG. 61

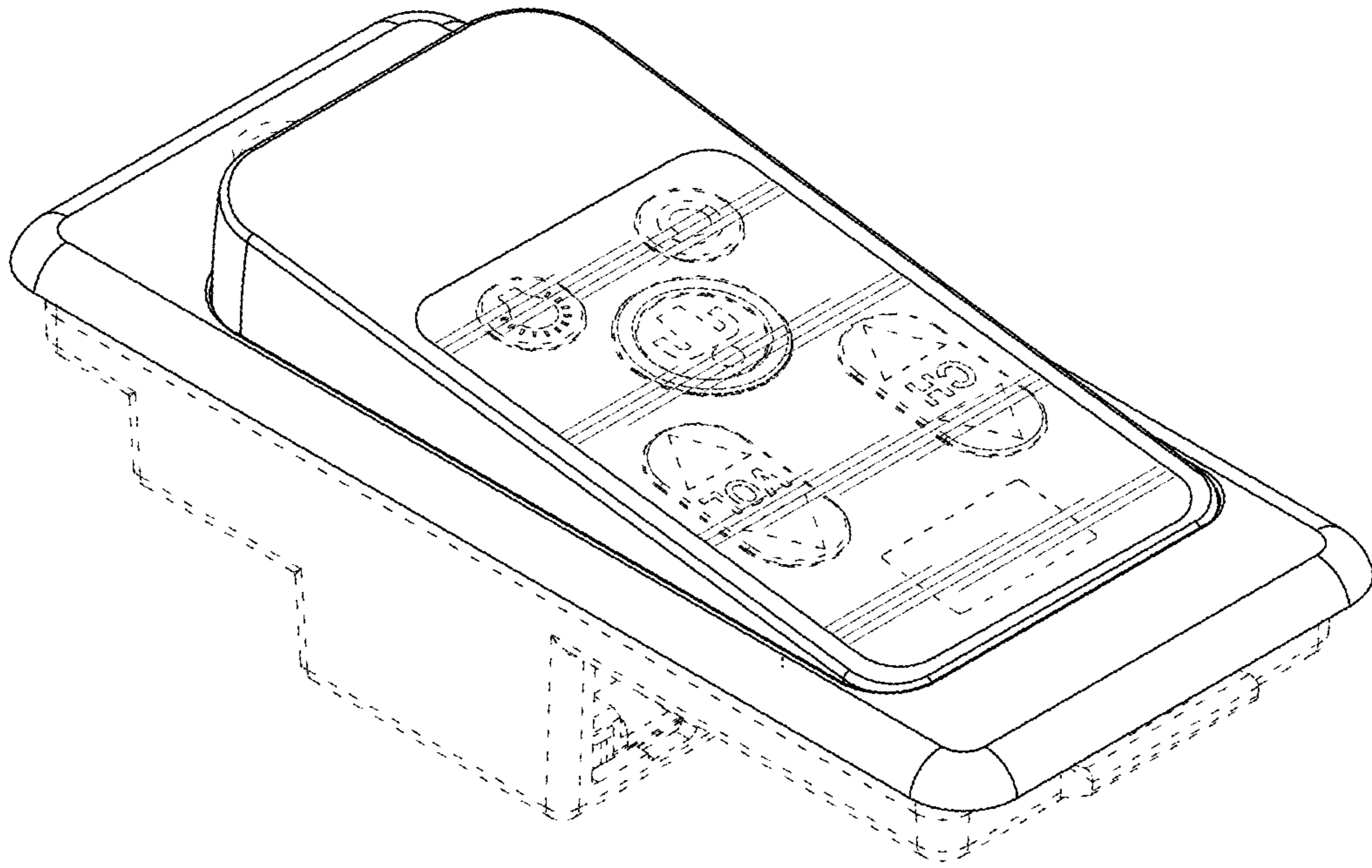


FIG. 62

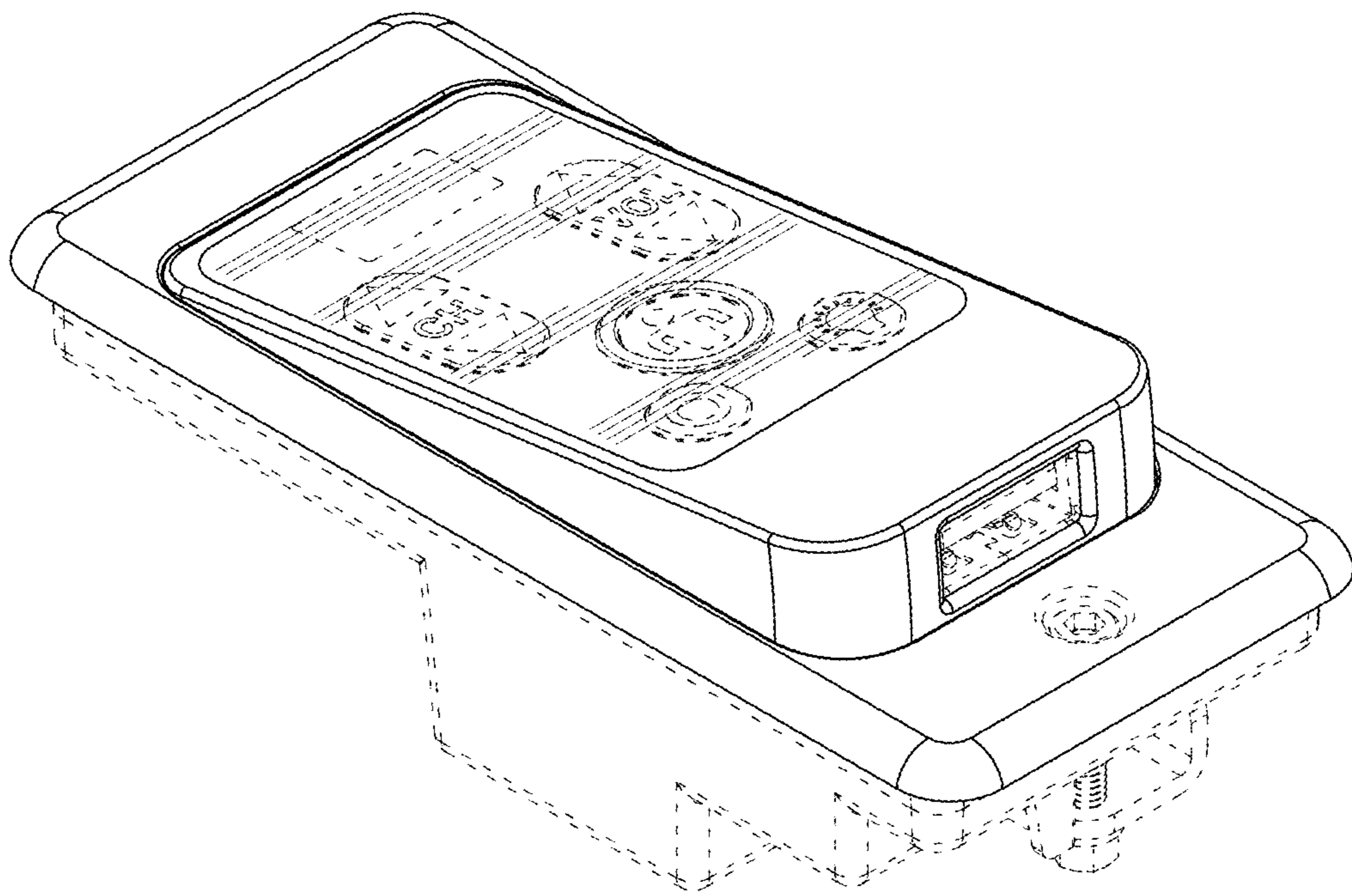


FIG. 63