



US00D797643S

(12) **United States Design Patent**  
**Smallhorn**

(10) **Patent No.:** **US D797,643 S**  
(45) **Date of Patent:** **\*\* Sep. 19, 2017**

(54) **AIRCRAFT PASSENGER CONTROL  
CONSOLE WITH USB PORT**

- (71) Applicant: **INFLIGHT INVESTMENTS INC.,  
St-Laurent (CA)**
- (72) Inventor: **George R Smallhorn, St-Laurent (CA)**
- (73) Assignee: **Inflight Investments, Inc., St-Laurent,  
Quebec (CA)**
- (\*\*) Term: **15 Years**
- (21) Appl. No.: **29/577,915**
- (22) Filed: **Sep. 16, 2016**

**Related U.S. Application Data**

- (62) Division of application No. 29/510,808, filed on Dec. 3, 2014.

(30) **Foreign Application Priority Data**

- Jun. 3, 2014 (CA) ..... 156965
- (51) **LOC (10) Cl.** ..... **12-07**
- (52) **U.S. Cl.**  
USPC ..... **D12/345**
- (58) **Field of Classification Search**  
USPC ..... D6/356; D10/123, 125; D12/319–345,  
D12/195, 418; D13/162, 171; D14/218,  
D14/338, 339

(Continued)

(56) **References Cited**

**U.S. PATENT DOCUMENTS**

- 3,370,813 A 2/1968 Albertine et al. .... 244/118.5
- D213,144 S 1/1969 Kraus ..... D12/195

(Continued)

*Primary Examiner* — Robert M Spear  
*Assistant Examiner* — Marissa J Cash  
 (74) *Attorney, Agent, or Firm* — Kusner & Jaffe

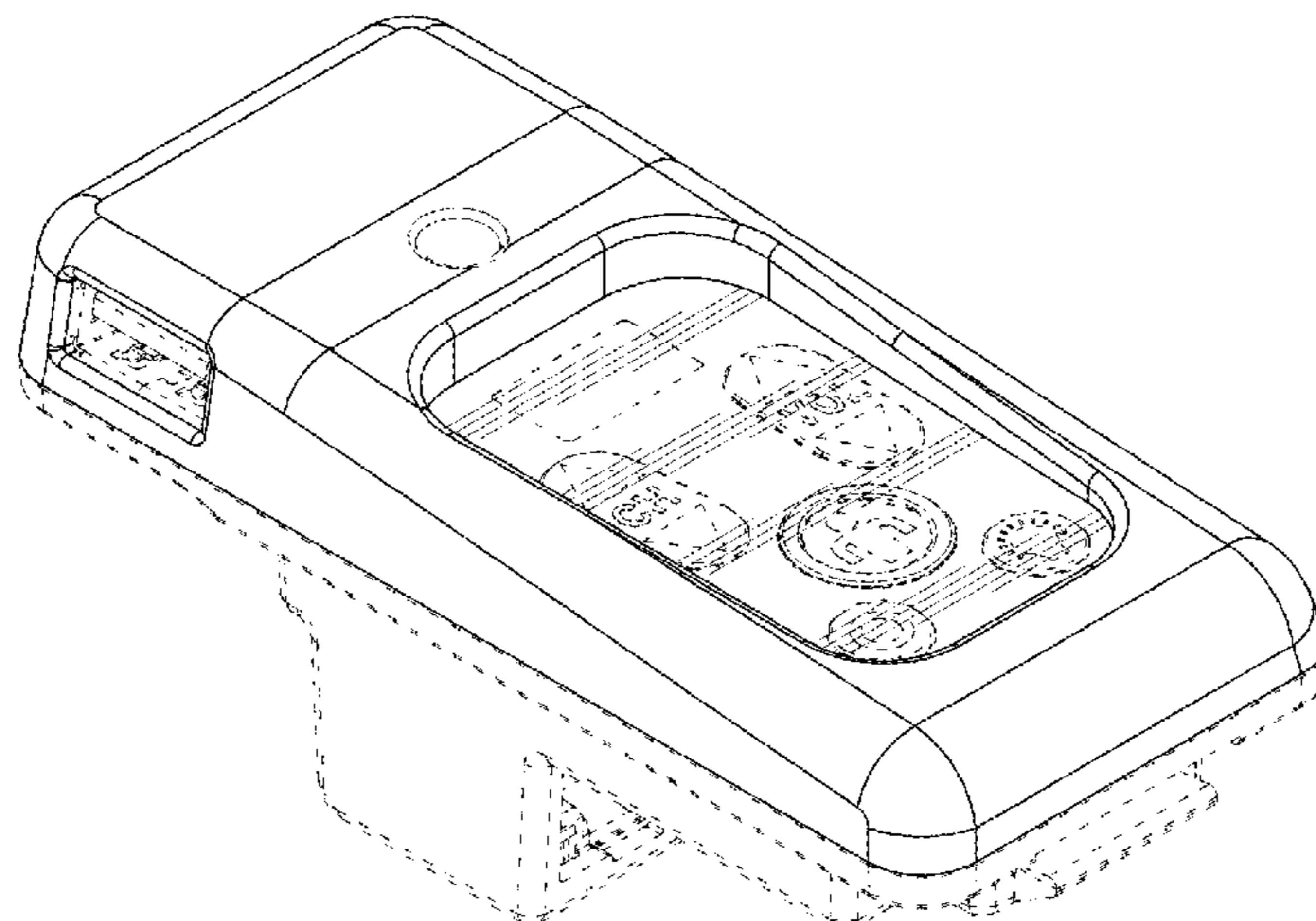
(57) **CLAIM**

The ornamental design for the aircraft passenger control console with USB port, as shown and described.

**DESCRIPTION**

FIG. 1 is a rear isometric view of an aircraft passenger control console with USB port, with a recessed trapezoidal keypad and rectangular USB port in the left-front side surface, showing my new design;  
 FIG. 2 is a front isometric view thereof;  
 FIG. 3 is a top view thereof;  
 FIG. 4 is a bottom view thereof;  
 FIG. 5 is a rear side view thereof;  
 FIG. 6 is a front side view thereof;  
 FIG. 7 is a left side view thereof;  
 FIG. 8 is a right side view thereof;  
 FIGS. 9 and 10 are a rear isometric view and a front isometric view respectively thereof with an alternative flush trapezoidal keypad;  
 FIGS. 11 and 12 are a rear isometric view and a front isometric view respectively thereof with an alternative flush oval keypad;  
 FIGS. 13 and 14 are a rear isometric view and a front isometric view respectively thereof with an alternative raised trapezoidal keypad; and  
 FIGS. 15 and 16 are a rear isometric view and a front isometric view respectively thereof with an alternative flush rectangular keypad;  
 FIG. 17 is a rear isometric view of another embodiment of my design with a recessed trapezoidal keypad;  
 FIG. 18 is a front isometric view thereof showing a rectangular USB port in the left-front side surface;  
 FIG. 19 is a top view thereof;  
 FIG. 20 is a bottom view thereof;  
 FIG. 21 is a rear side view thereof;  
 FIG. 22 is a front side view thereof;  
 FIG. 23 is a right side view thereof;  
 FIG. 24 is a left side view thereof;

(Continued)



FIGS. 25 and 26 are a rear isometric view and a front isometric view respectively thereof with an alternative flush trapezoidal keypad;  
 FIGS. 27 and 28 are a rear isometric view and a front isometric view respectively thereof with an alternative flush oval keypad;  
 FIGS. 29 and 30 are a rear isometric view and a front isometric view respectively thereof with an alternative raised trapezoidal keypad; and  
 FIGS. 31 and 32 are a rear isometric view and a front isometric view respectively thereof with an alternative flush rectangular keypad;  
 FIG. 33 is a front isometric view of yet another embodiment of my design with a recessed trapezoidal keypad;  
 FIG. 34 is a rear isometric view thereof showing a rectangular USB port in the rear side surface;  
 FIG. 35 is a top view thereof;  
 FIG. 36 is a bottom view thereof;  
 FIG. 37 is a front side view thereof;  
 FIG. 38 is a rear side view thereof;  
 FIG. 39 is a left side view thereof;  
 FIG. 40 is a right side view thereof;  
 FIGS. 41 and 42 are a rear isometric view and a front isometric view respectively thereof with an alternative flush trapezoidal keypad and showing a rectangular USB port in the front side surface;  
 FIGS. 43 and 44 are a rear isometric view and a front isometric view respectively thereof with an alternative flush oval keypad and showing a rectangular USB port in the front side surface;  
 FIGS. 45 and 46 are a rear isometric view and a front isometric view respectively thereof with an alternative raised trapezoidal keypad and showing a rectangular USB port in the front side surface; and,  
 FIGS. 47 and 48 are a rear isometric view and a front isometric view respectively thereof with an alternative flush rectangular keypad and showing a rectangular USB port in the front side surface.  
 In the drawings, the broken lines depict environmental subject matter only and form no part of the claimed design.

1 Claim, 27 Drawing Sheets

(58) **Field of Classification Search**

CPC ..... B64D 11/00; B64D 11/0015; B64D 11/0053; B64D 2013/003; B60Q 3/00; B60Q 3/02

See application file for complete search history.

(56) **References Cited**

U.S. PATENT DOCUMENTS

D244,018	S	4/1977	Greiss et al. ....	D12/195
D259,038	S	4/1981	Smith .....	D12/195
D261,387	S	10/1981	Weitz et al. ....	D12/192
D281,940	S	12/1985	Stevenson et al. ....	D12/195
D295,042	S	4/1988	Stevenson et al. ....	D12/192
D297,527	S	9/1988	Iacovelli .....	D10/2
D310,814	S	9/1990	Rosenbaum et al. ....	D13/117
D310,820	S	9/1990	Watson et al. ....	D13/117
5,707,028	A	1/1998	Roeper .....	244/118.5
D396,470	S	7/1998	Summers et al. ....	D14/218
D402,966	S	12/1998	Lim .....	D13/168
D410,748	S	6/1999	Hunsucker et al. ....	D24/200
D413,867	S	9/1999	Mullet et al. ....	D13/162
D439,425	S	3/2001	Park et al. ....	D6/356
D443,990	S	6/2001	Berth .....	D6/356
D455,390	S	4/2002	Granzeier et al. ....	D12/345
6,425,773	B2	7/2002	Mosebach et al. ....	439/136
6,454,209	B1	9/2002	Bock et al. ....	105/314
D464,329	S	10/2002	Mainiero .....	D13/169
D481,687	S	11/2003	Moriya et al. ....	D13/171
D487,981	S	4/2004	Ludeke et al. ....	D6/356
D491,923	S	6/2004	Navarrete .....	D14/218
D495,801	S	9/2004	Kim .....	D24/200
D503,686	S	4/2005	Knox, Jr. et al. ....	D13/162
D562,779	S	2/2008	Lamoree et al. ....	D13/171
D563,908	S	3/2008	Kohler, Jr. et al. ....	D13/162
D583,749	S	12/2008	Aruga et al. ....	D12/418
D600,623	S	9/2009	Fiedler et al. ....	D12/345
D613,669	S	4/2010	Collins et al. ....	D12/345
D628,529	S	12/2010	Fiedler et al. ....	D12/345
D638,688	S	5/2011	Sheremeta et al. ....	D13/177
D654,476	S	2/2012	Weitgasser .....	D14/218
D678,217	S	3/2013	Helm .....	D13/162
D691,096	S	10/2013	Beroukas et al. ....	D13/162
D712,847	S	9/2014	Dorn et al. ....	D13/174
D750,007	S *	2/2016	Smallhorn .....	D12/345
D760,702	S	7/2016	Sul .....	D14/218

\* cited by examiner

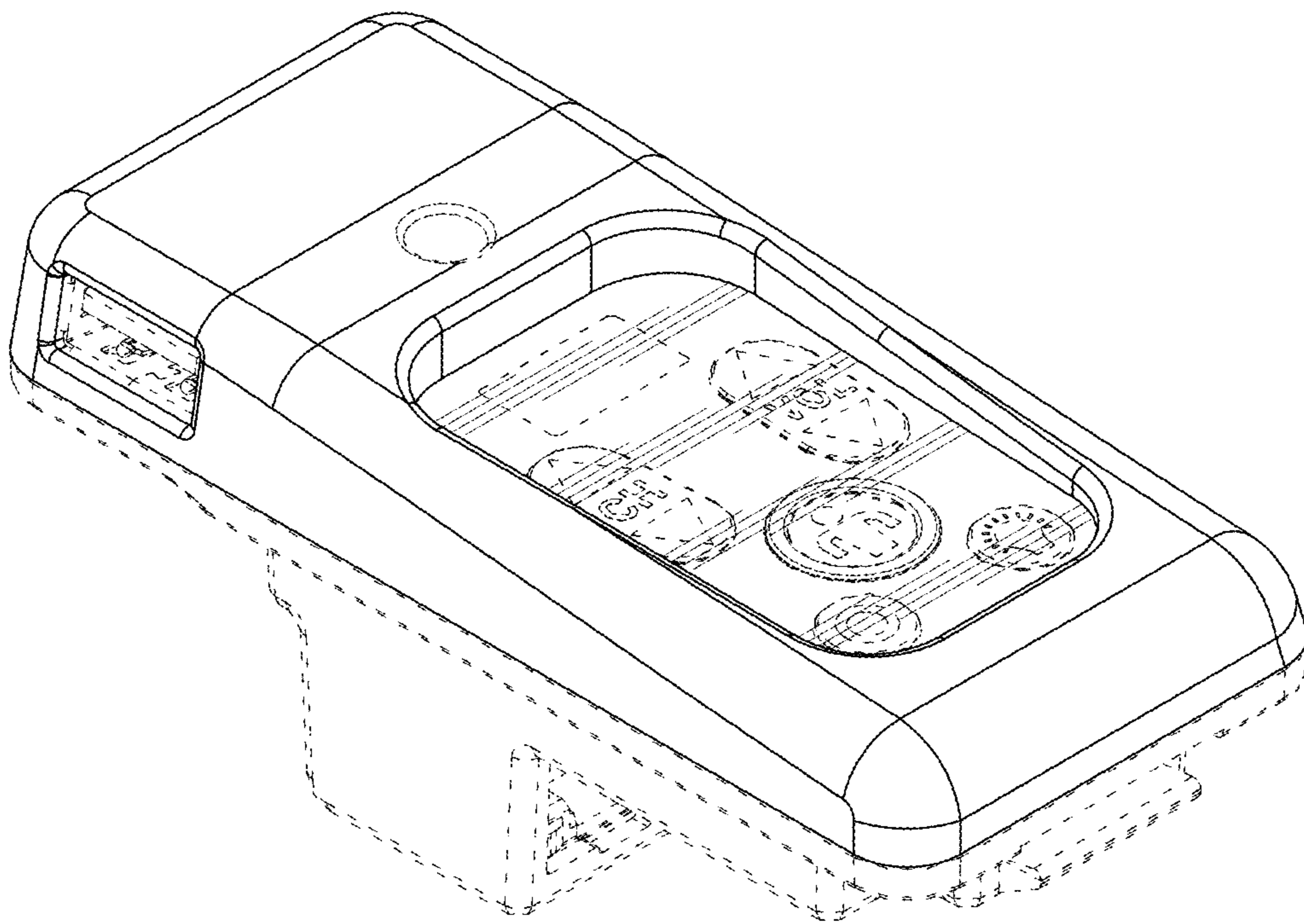


FIG.1

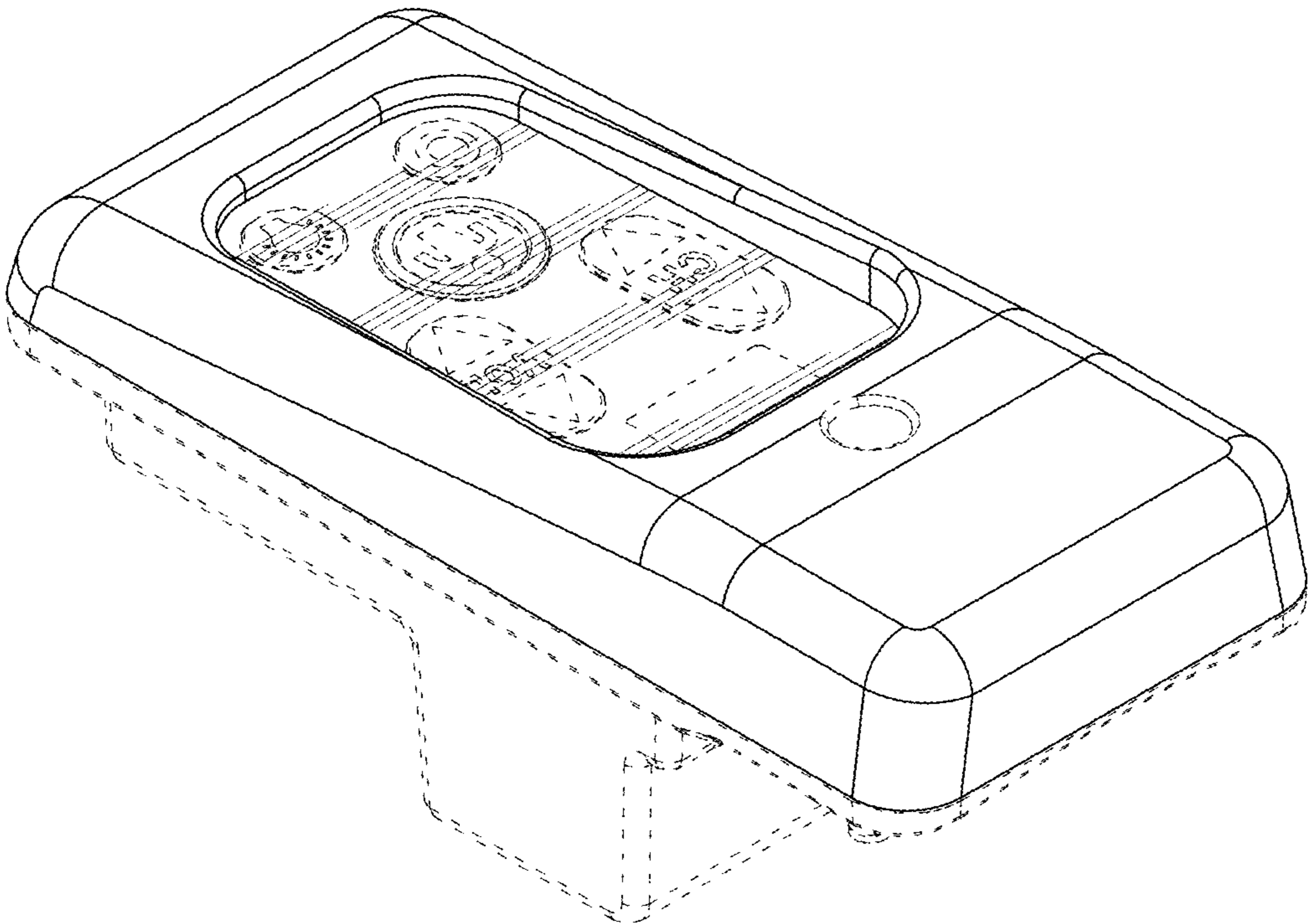


FIG.2

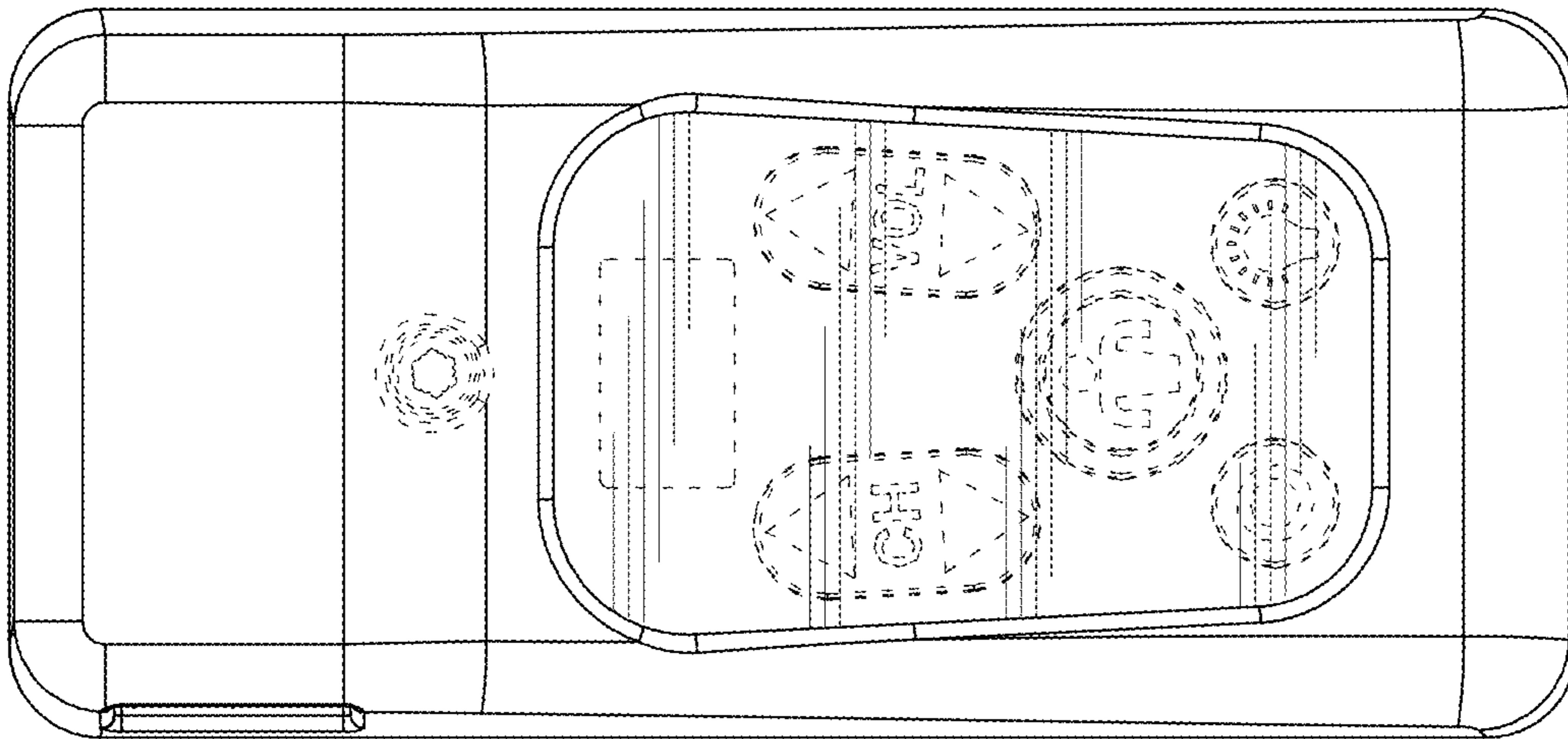


FIG.3

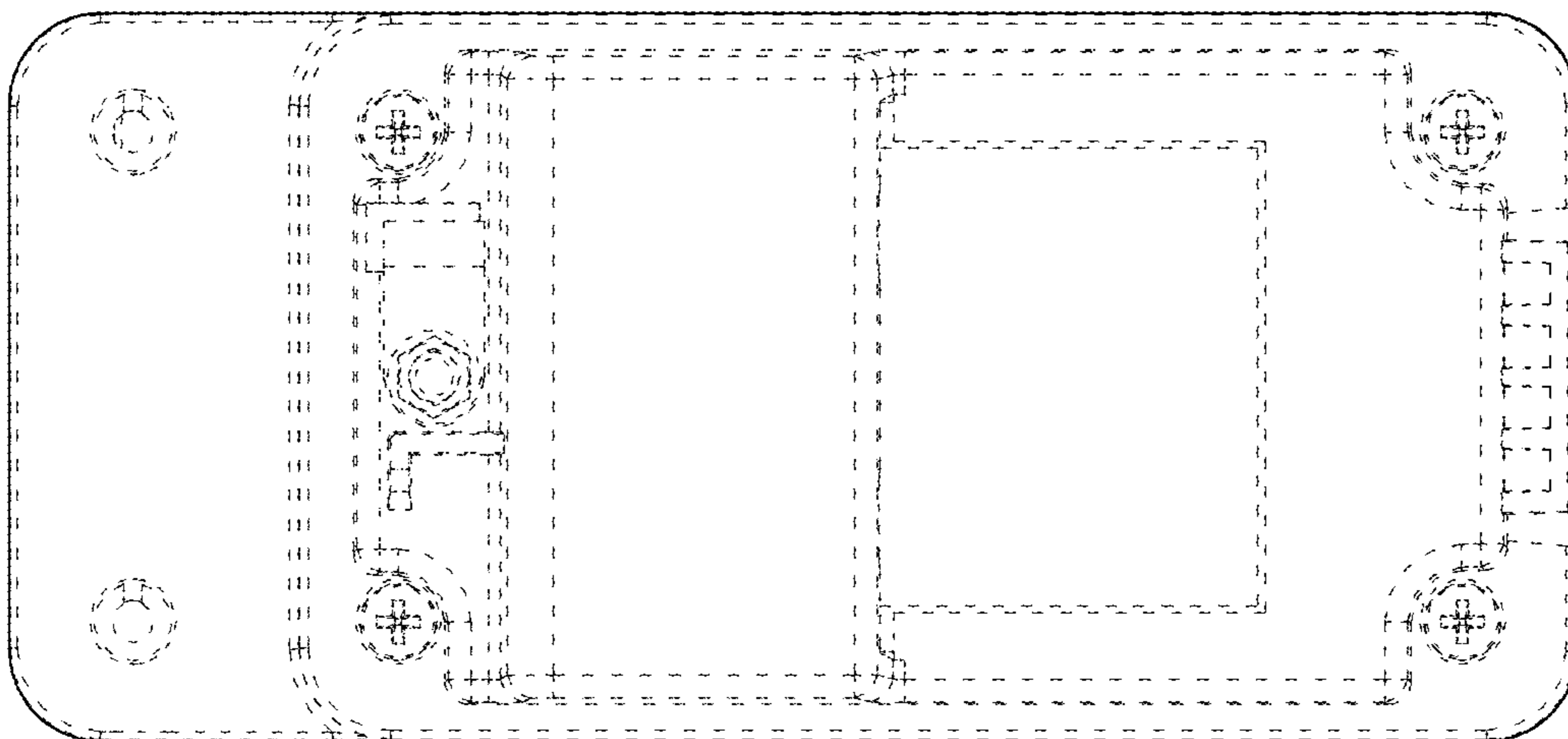


FIG.4

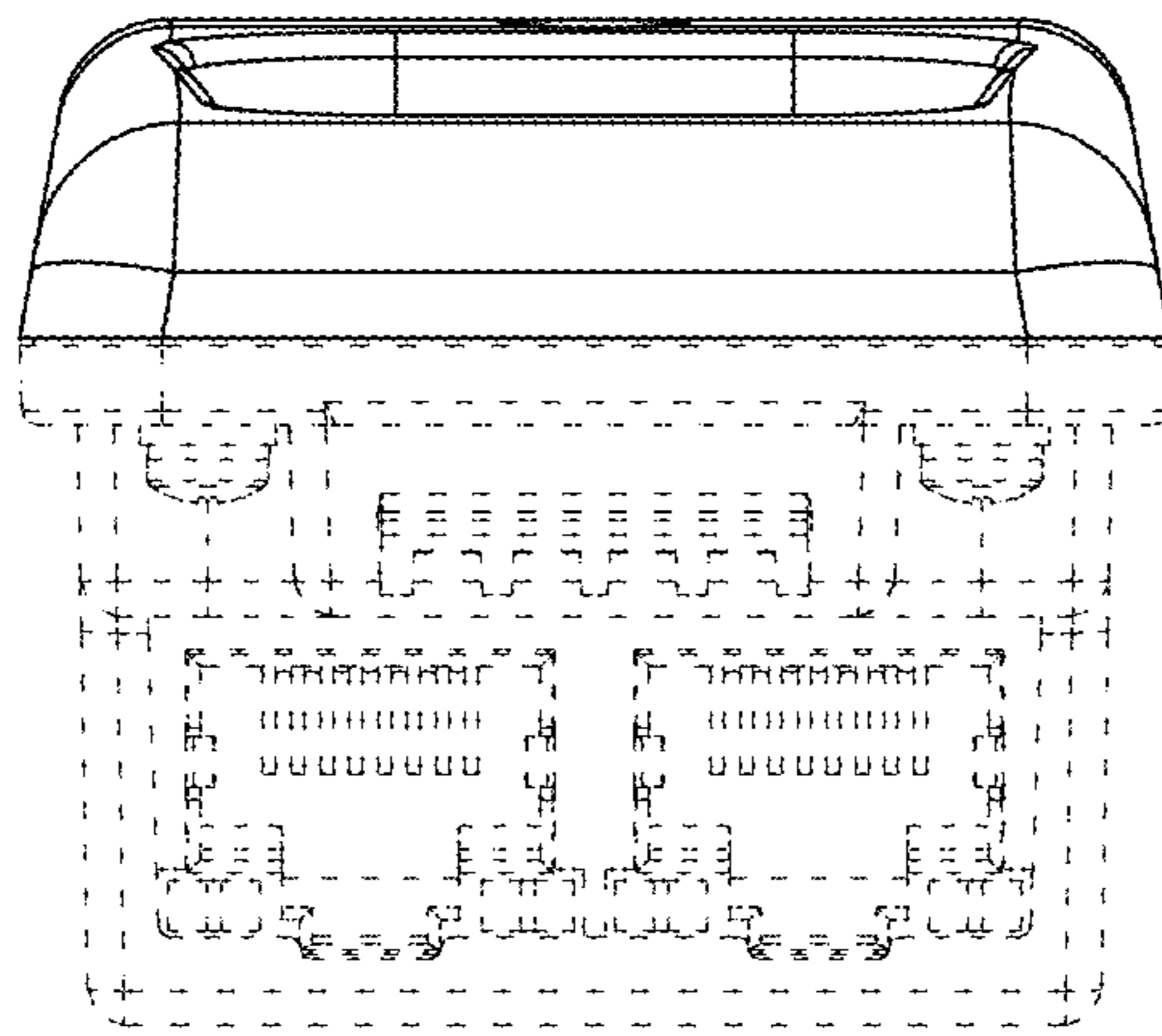


FIG.5

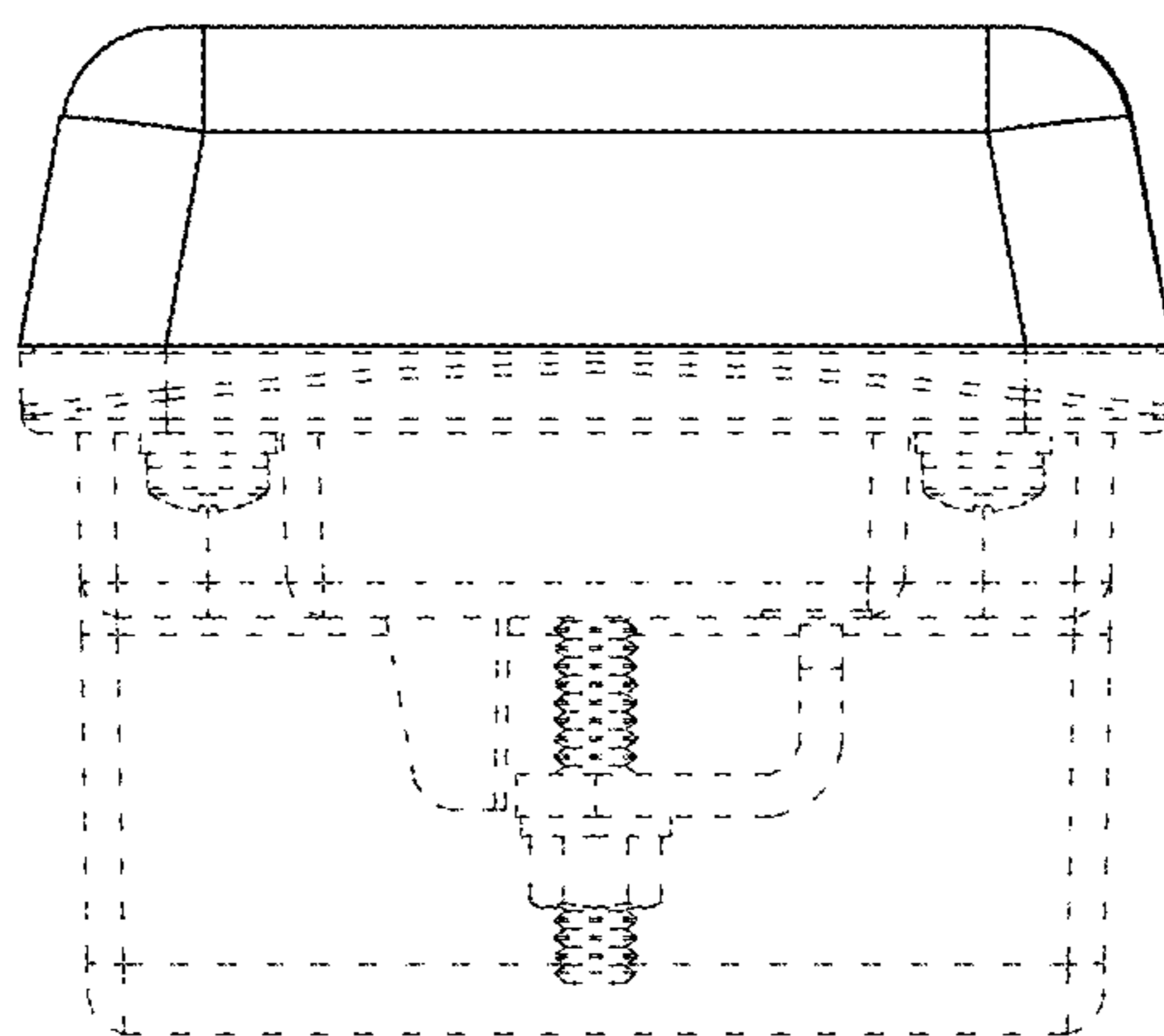


FIG.6

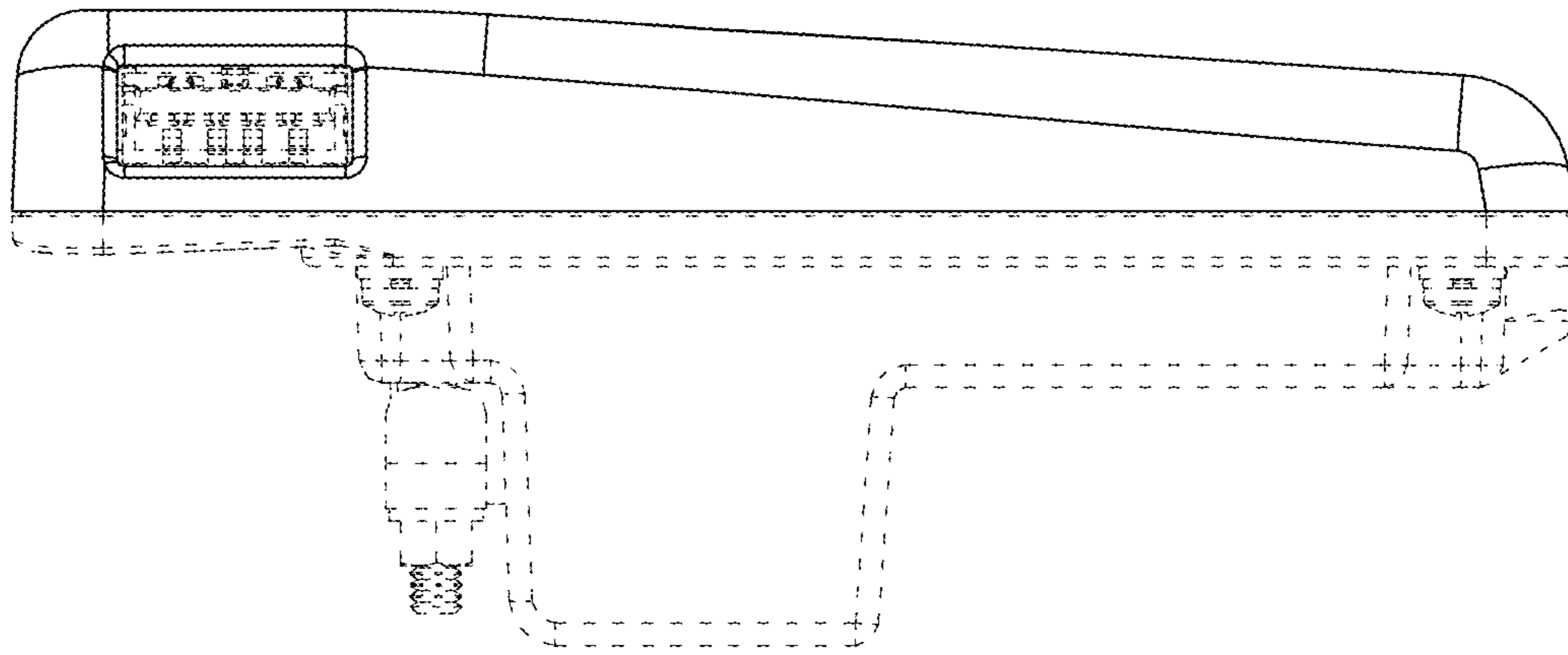


FIG. 7

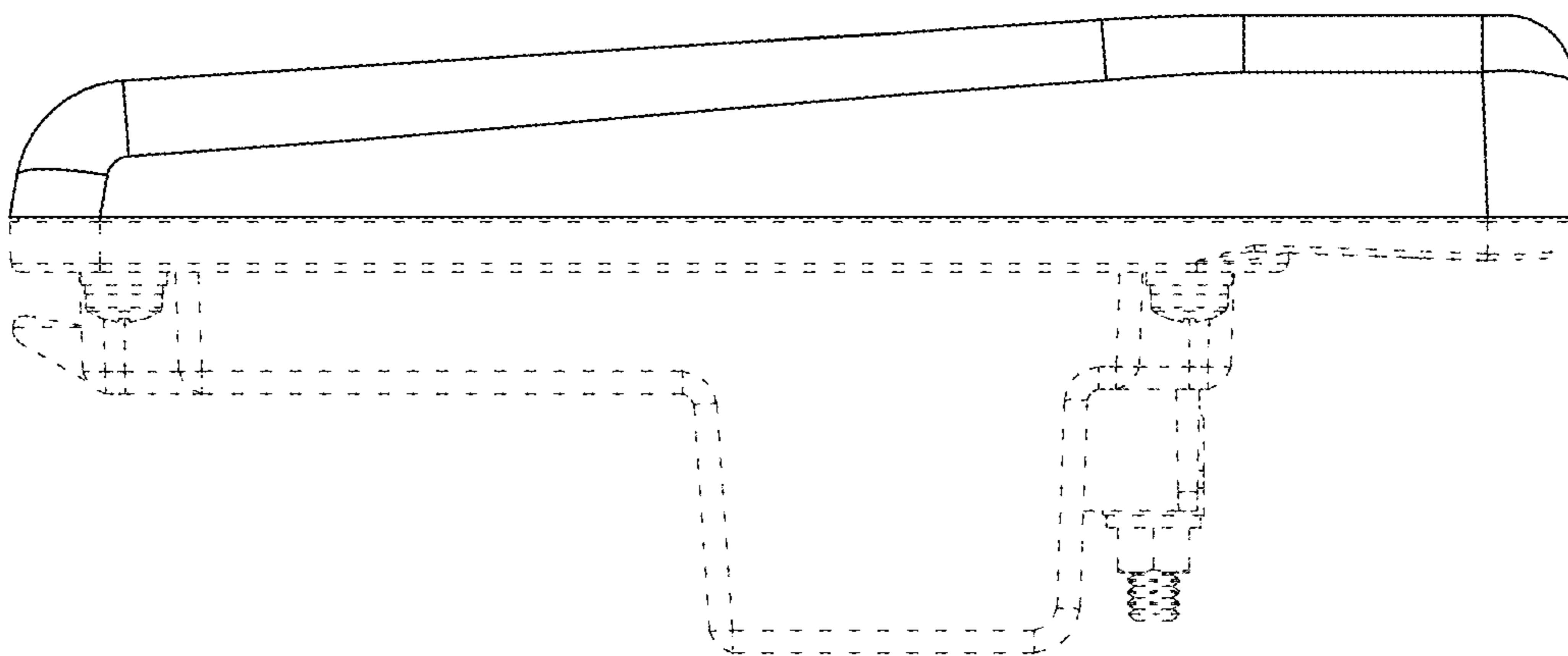


FIG. 8

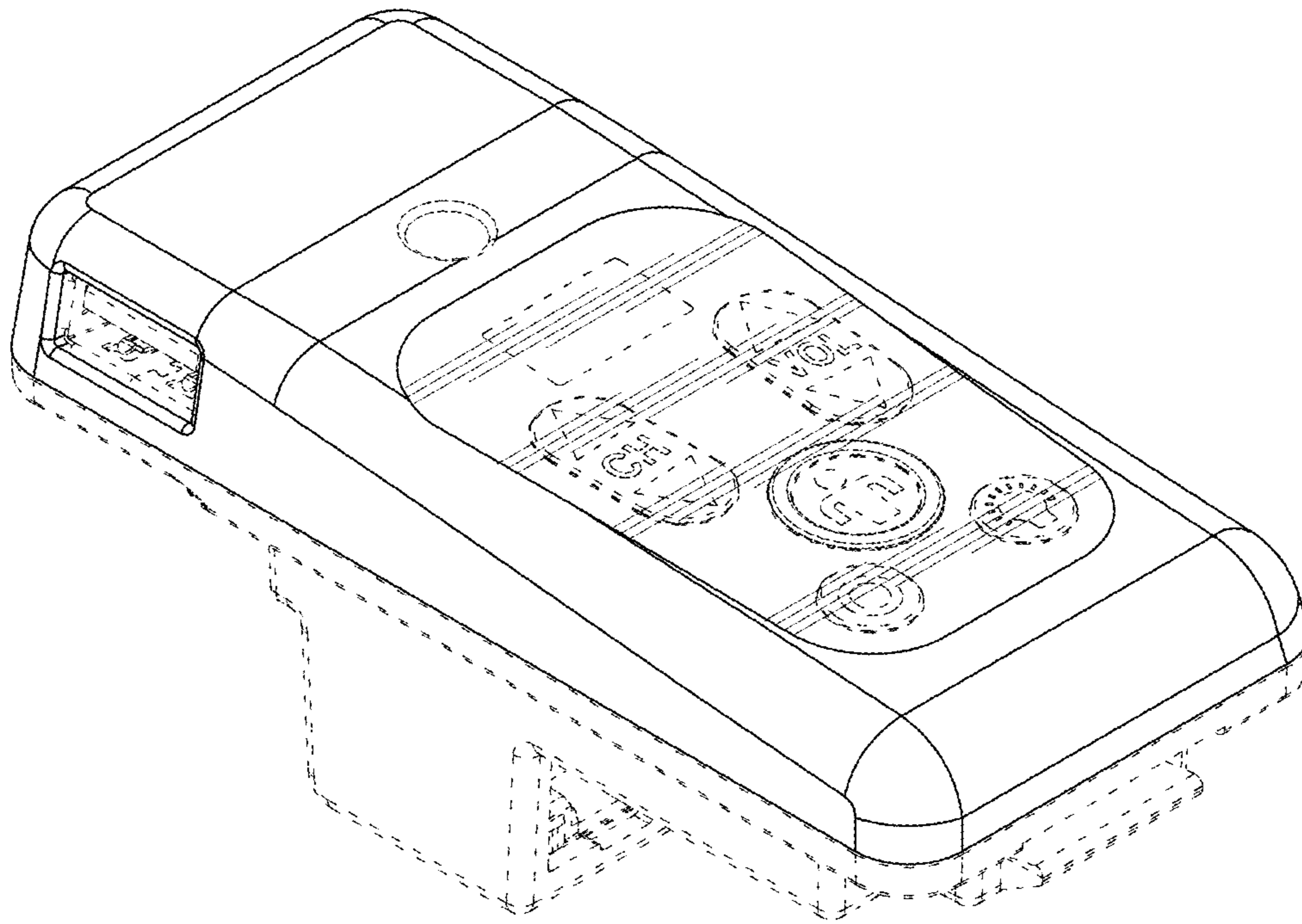


FIG. 9

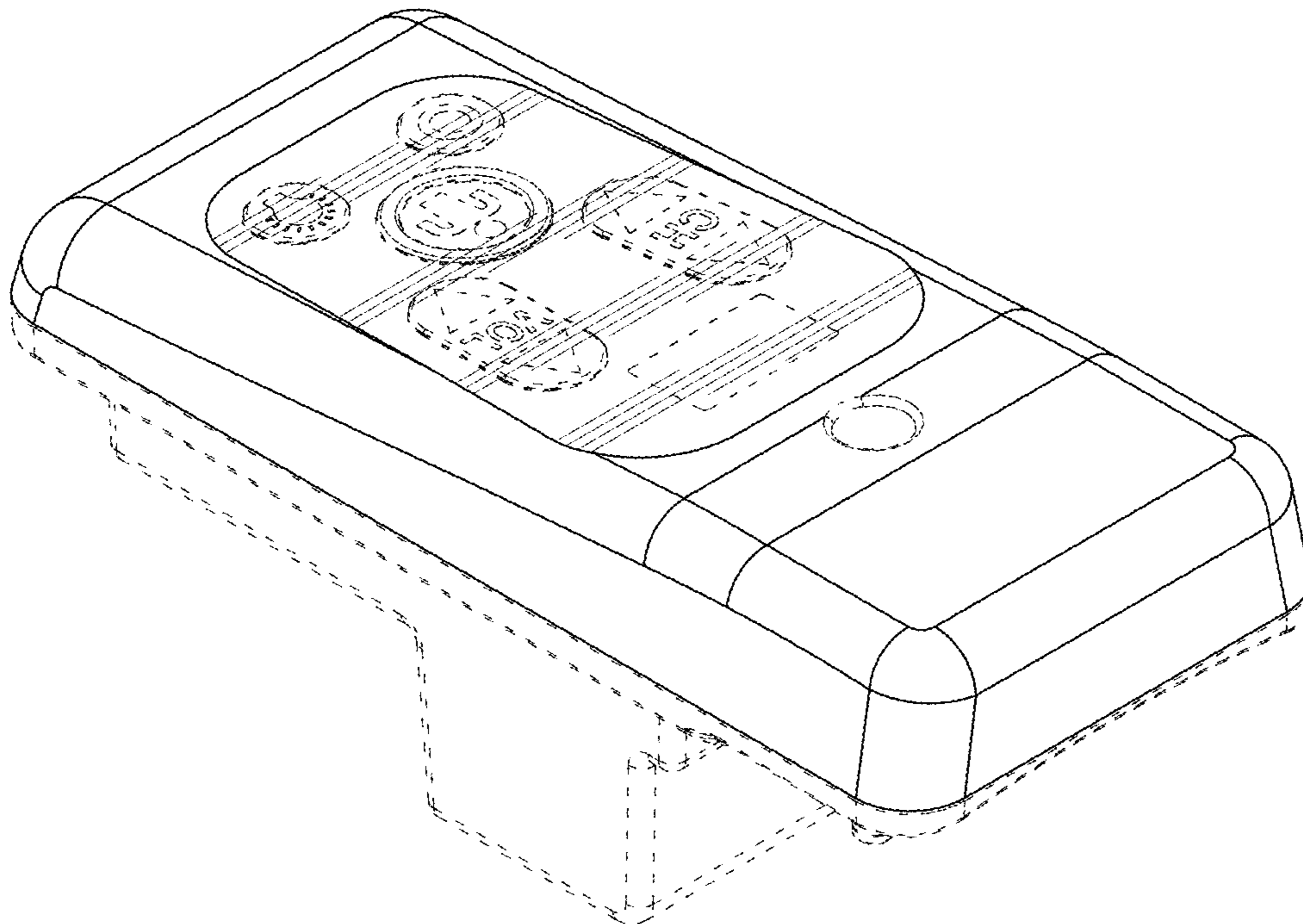


FIG. 10



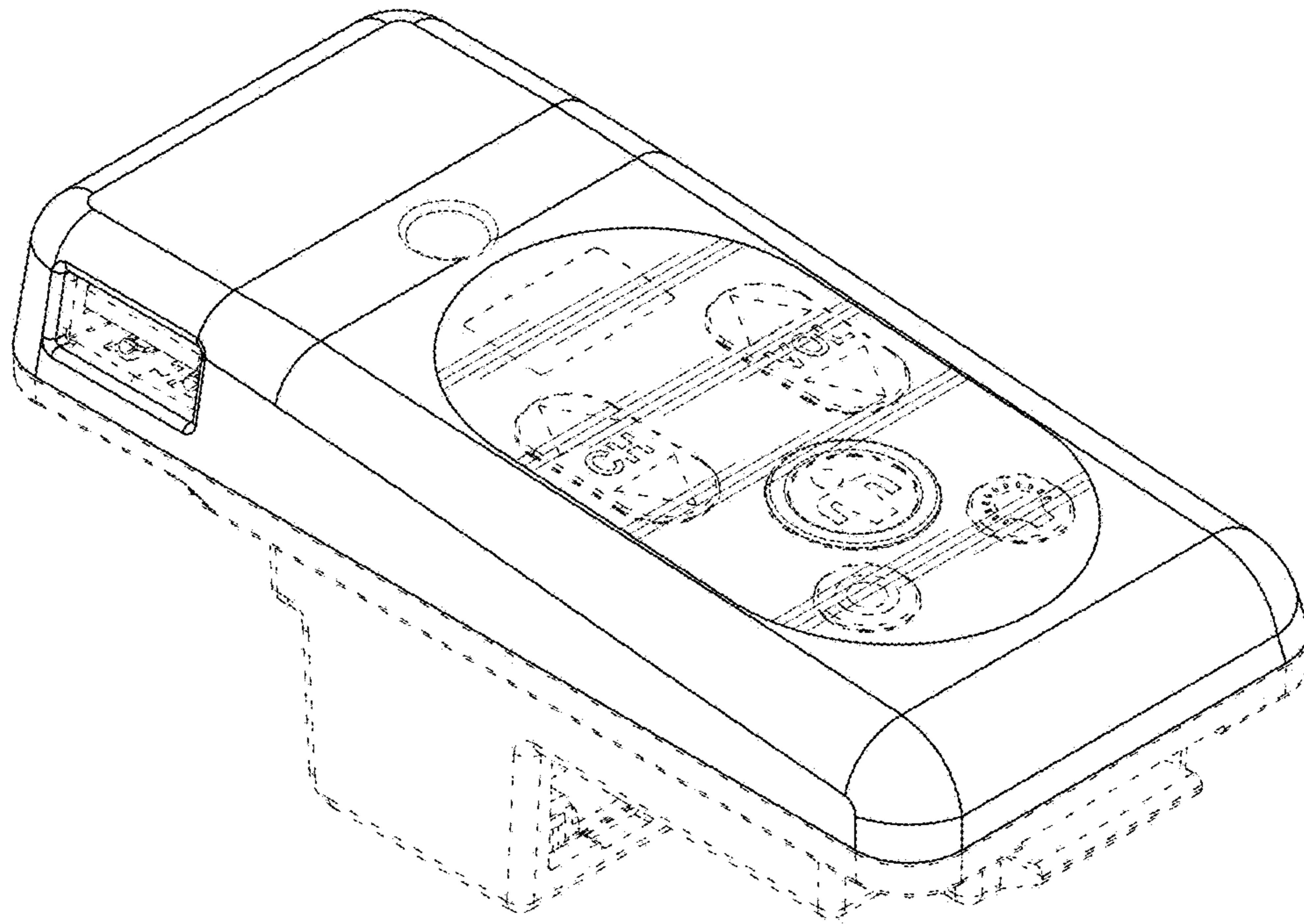


FIG.11

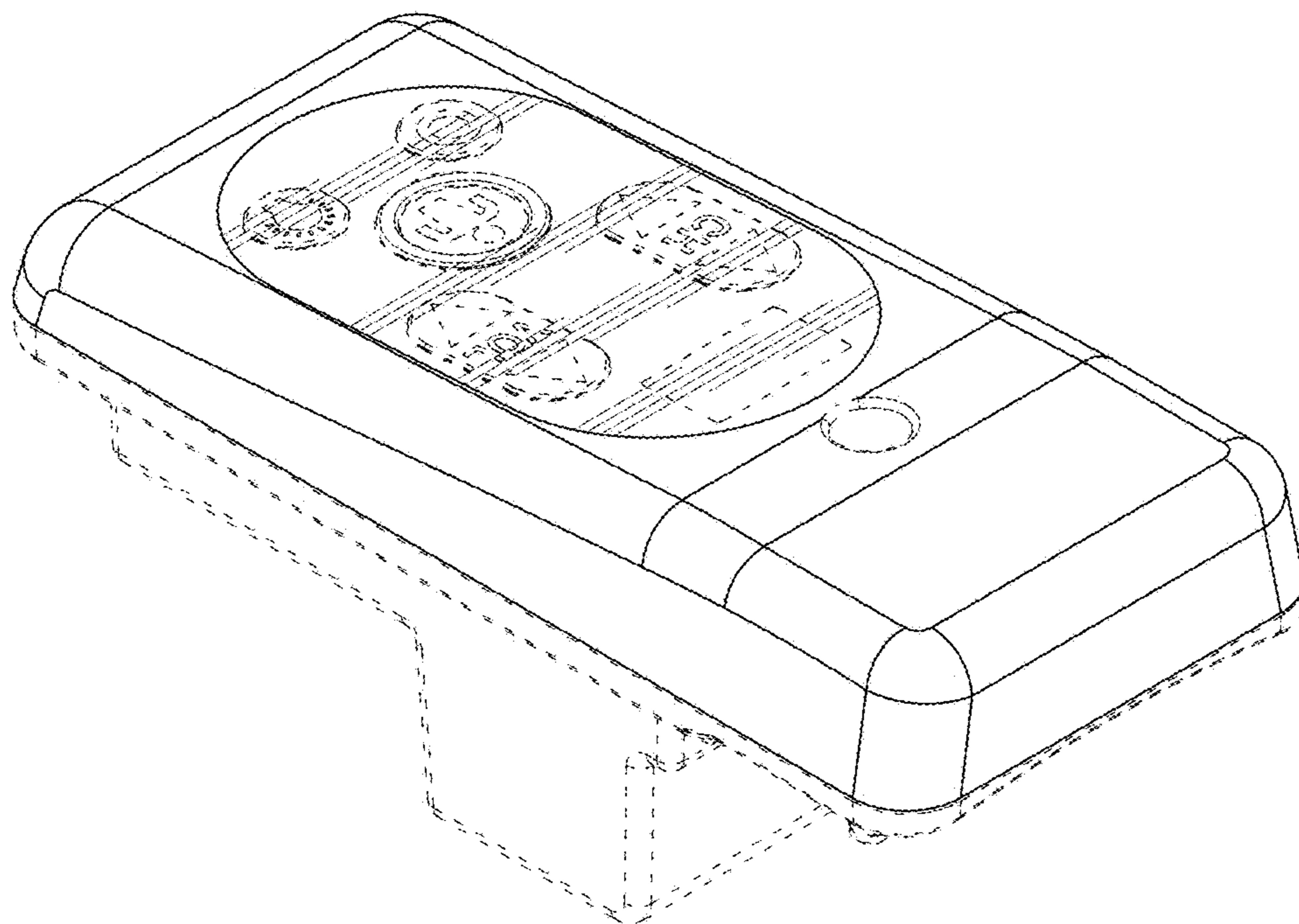


FIG.12

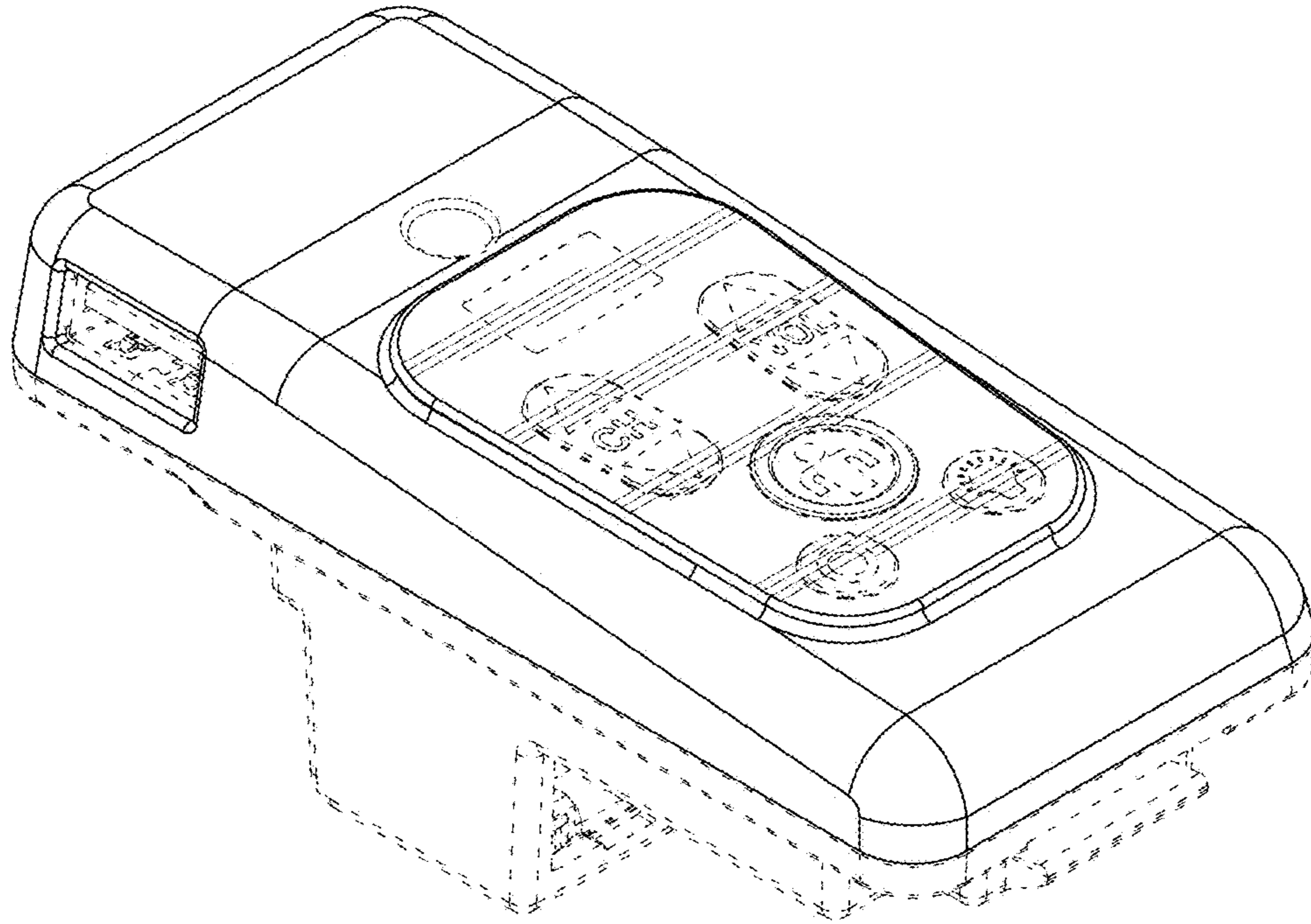


FIG. 13

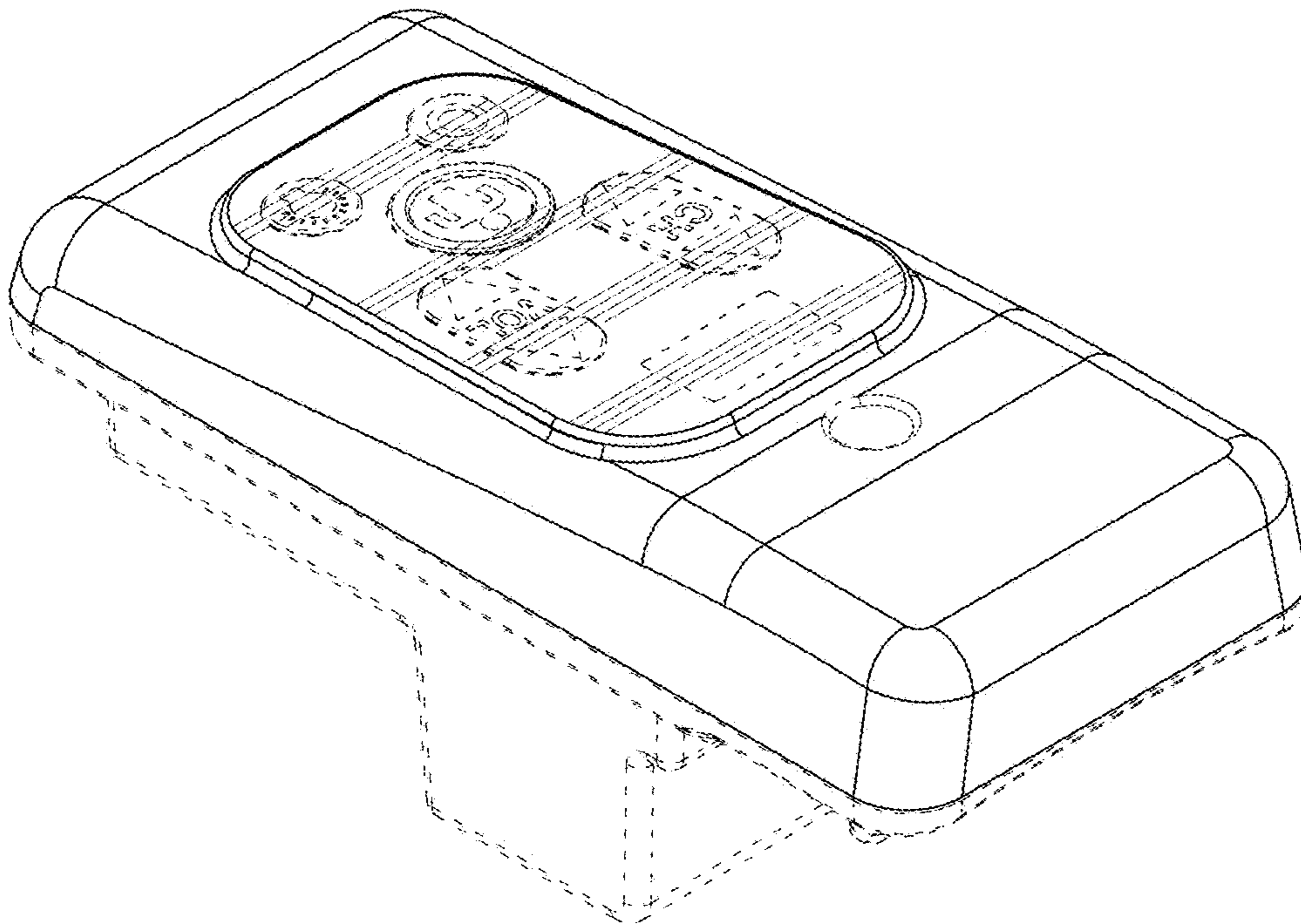


FIG. 14

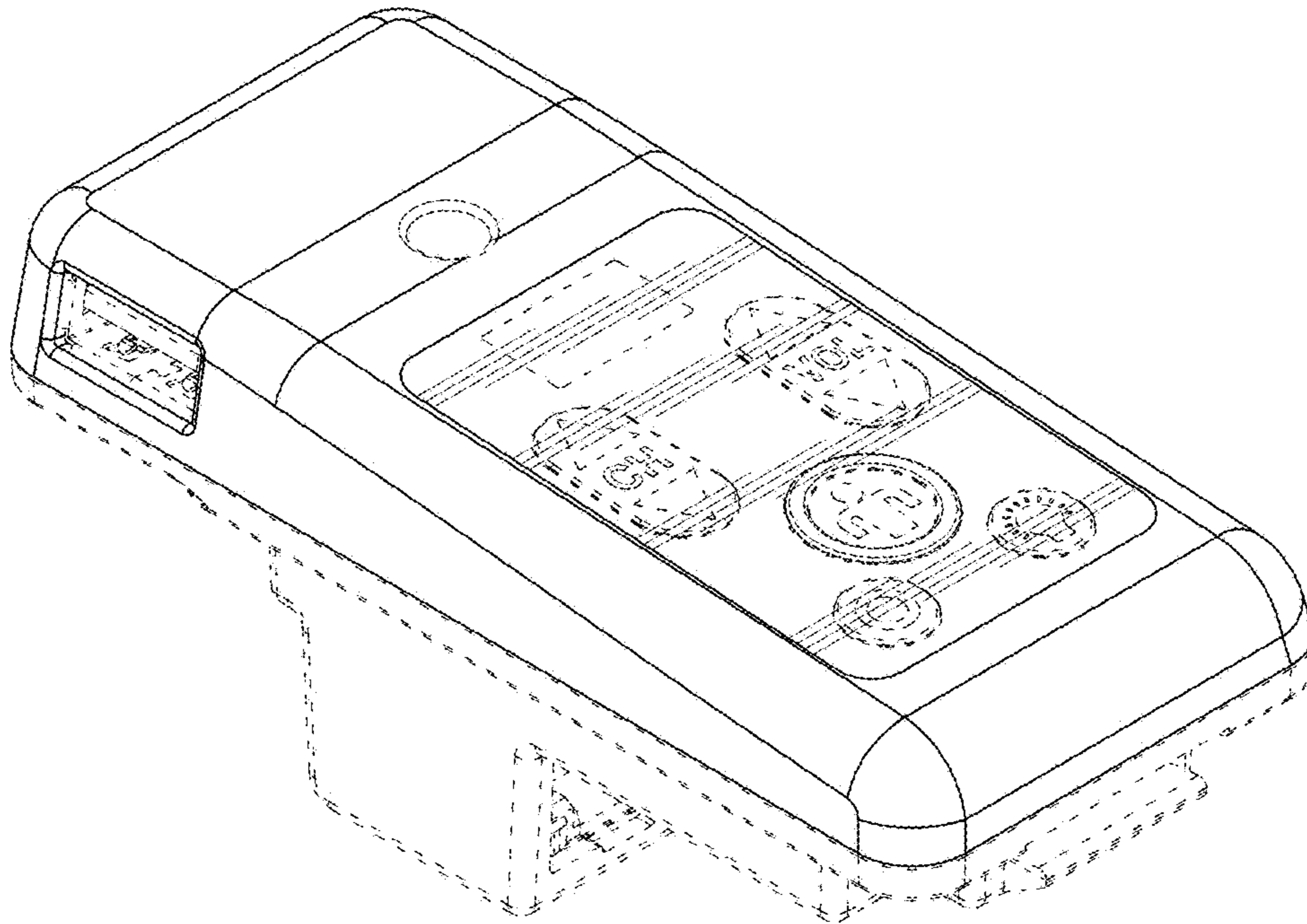


FIG. 15

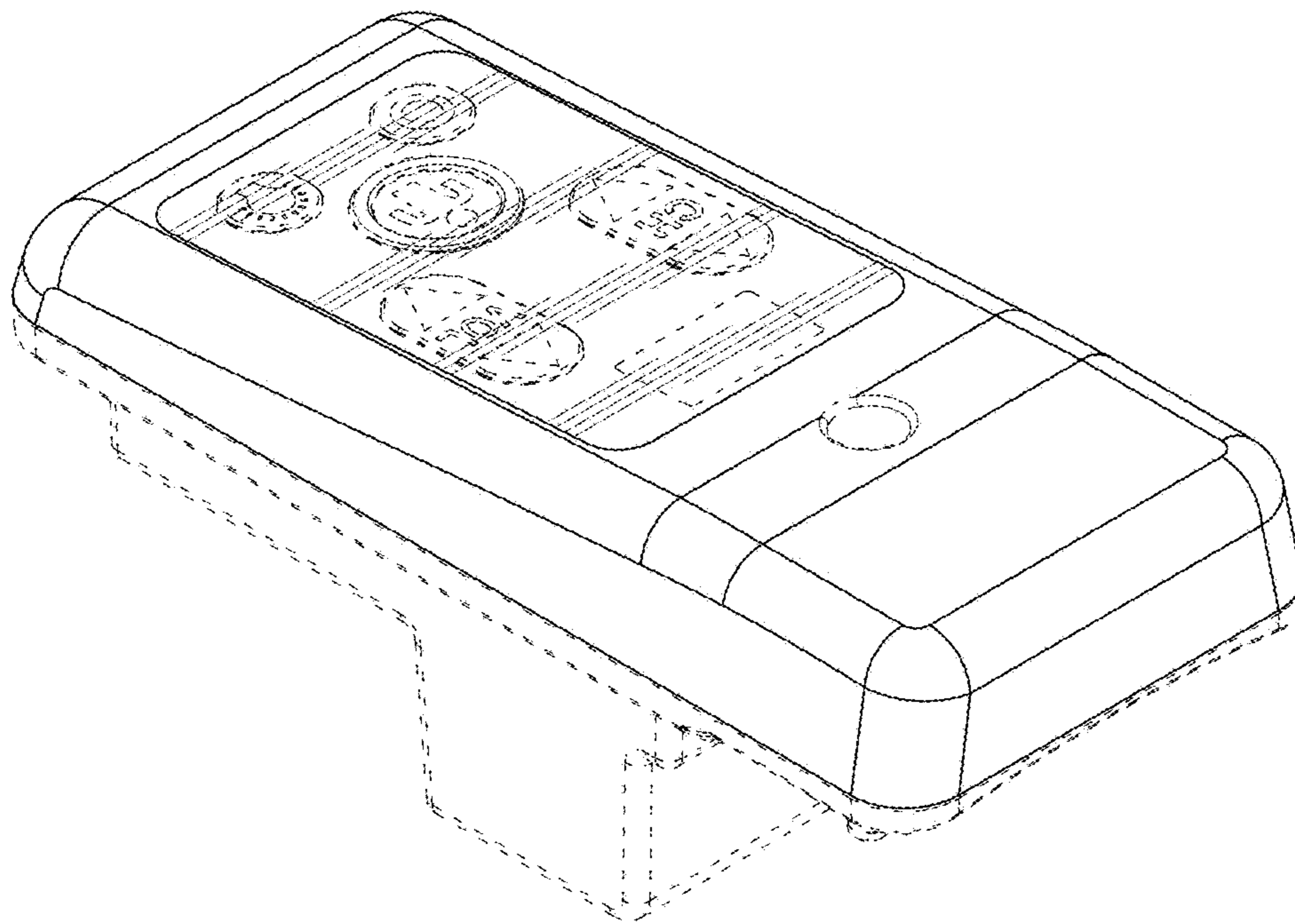


FIG. 16

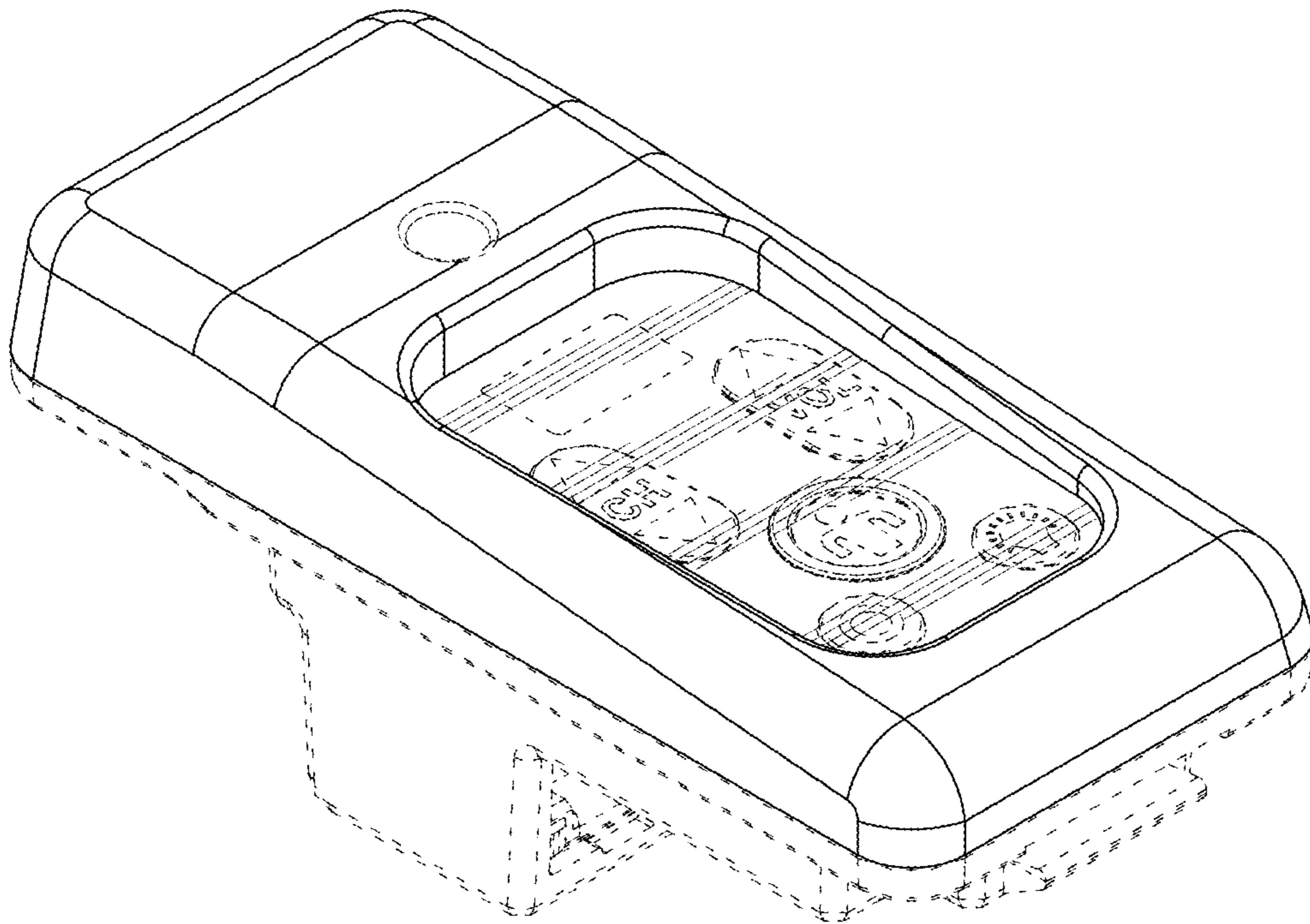


FIG.17

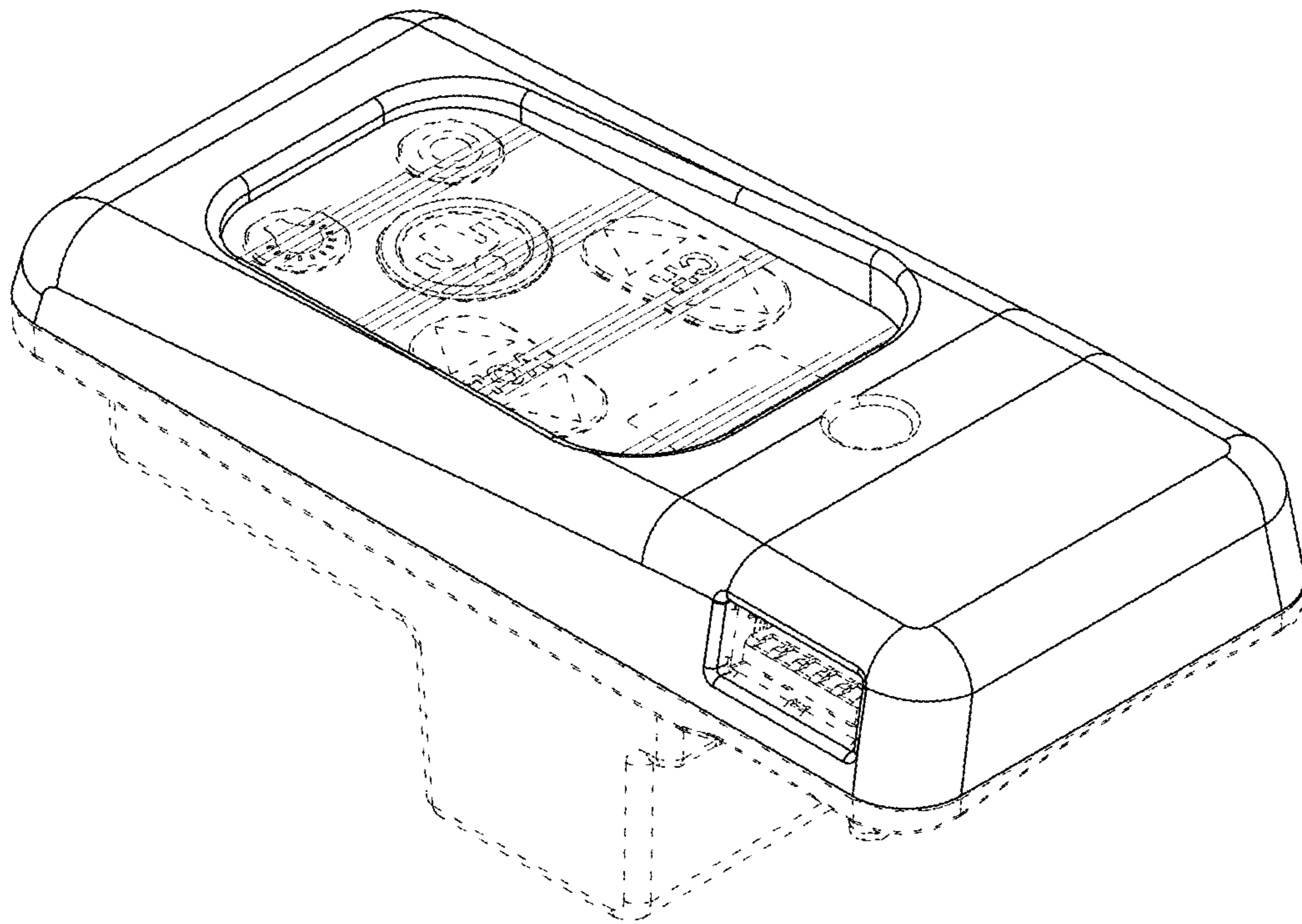


FIG.18

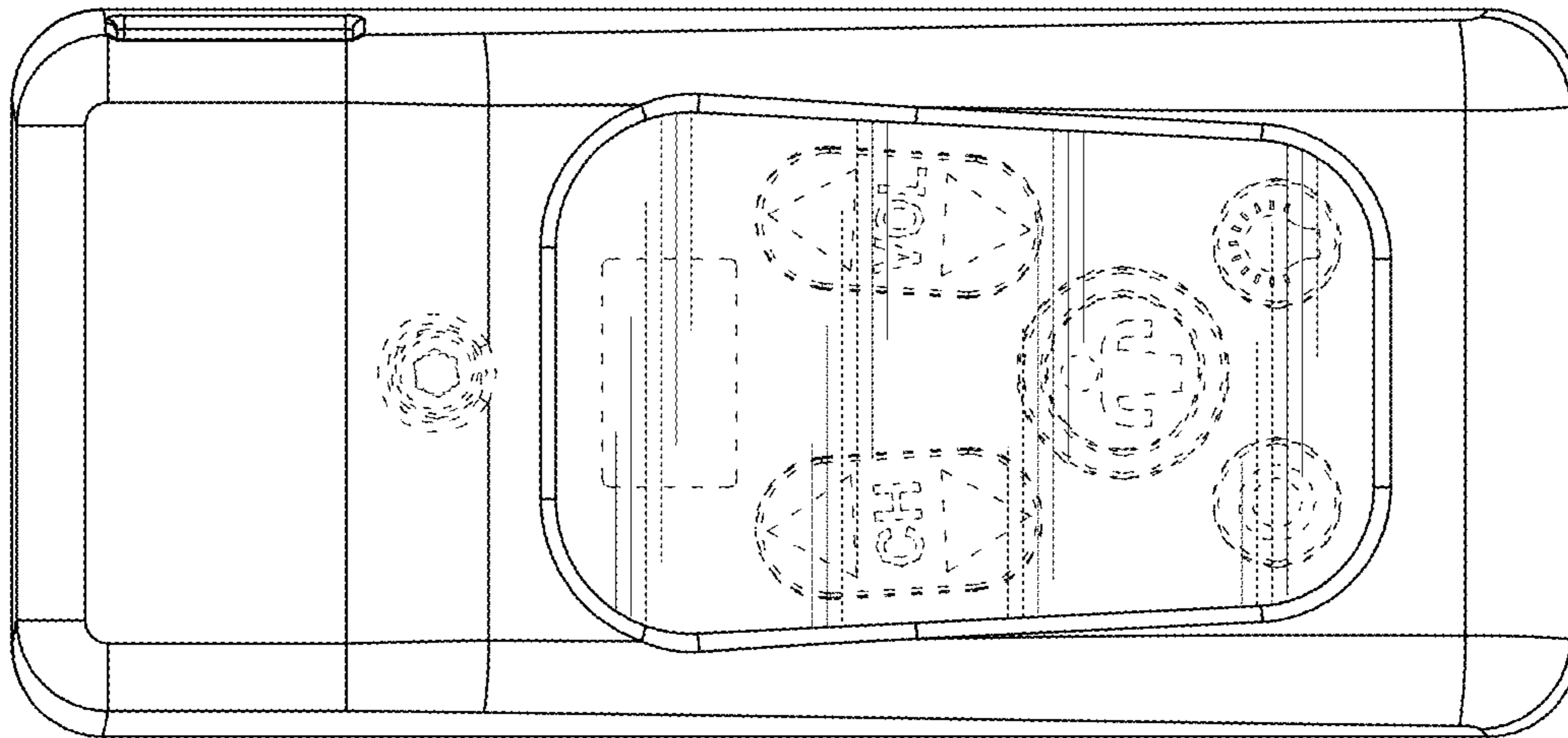


FIG. 19

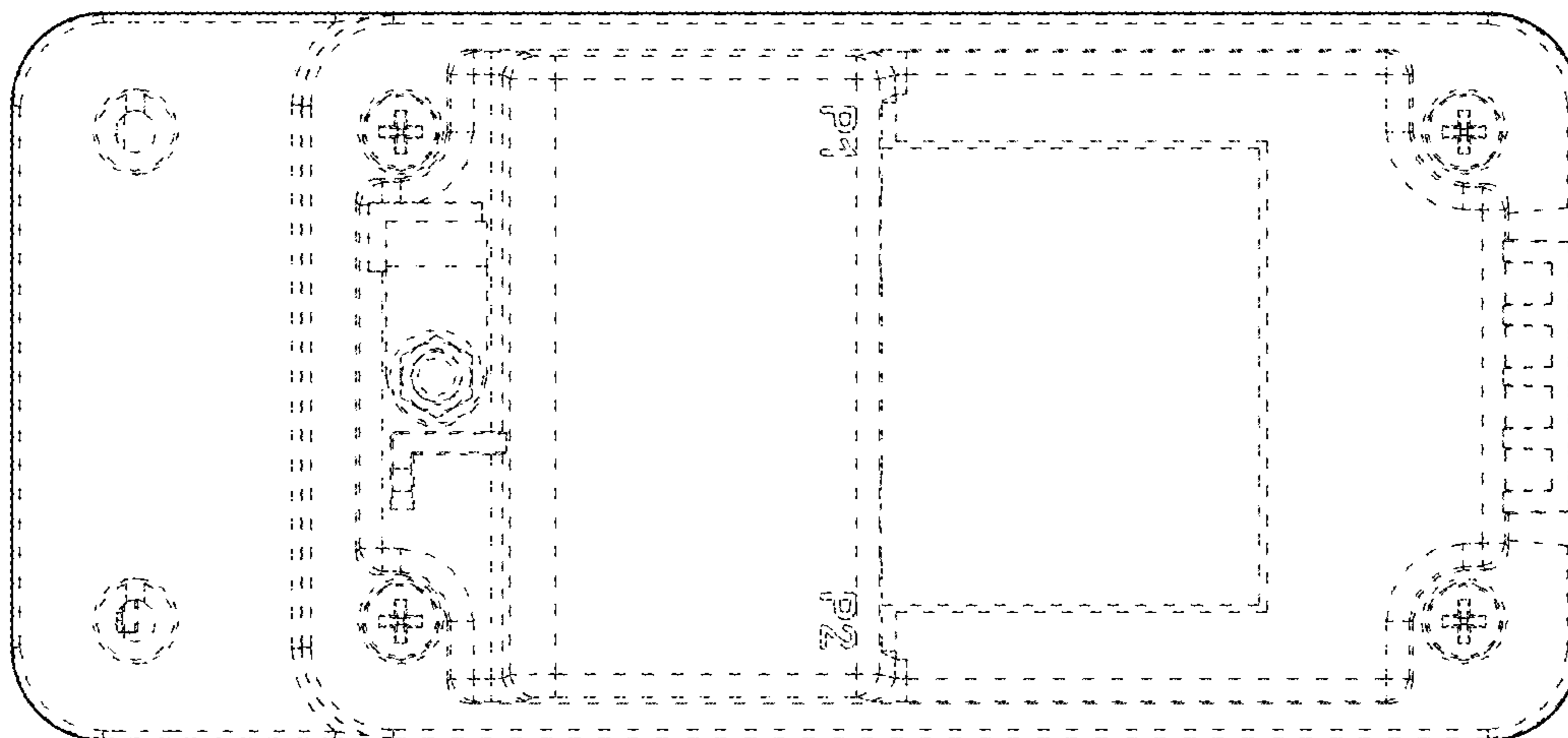


FIG. 20

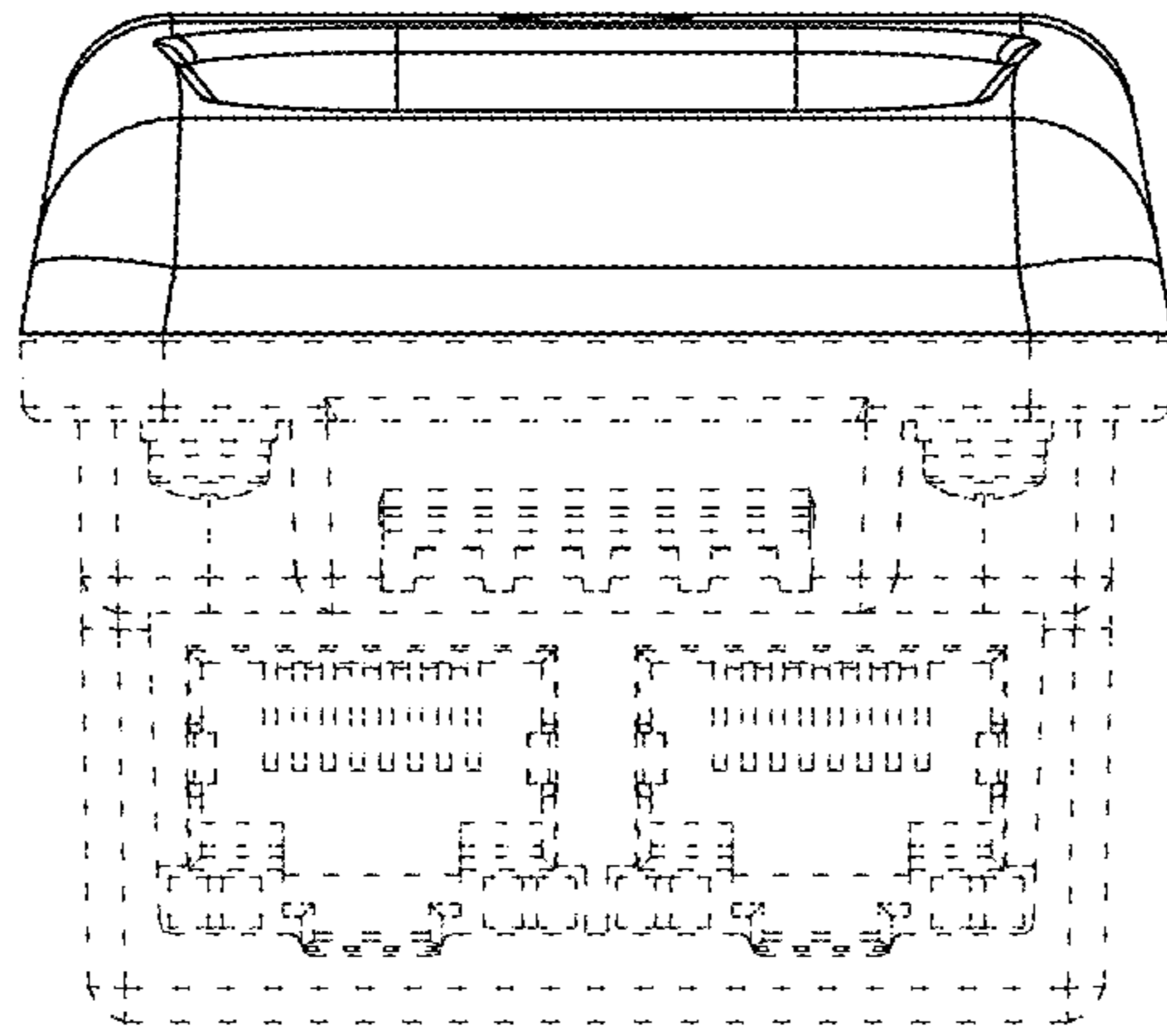


FIG. 21

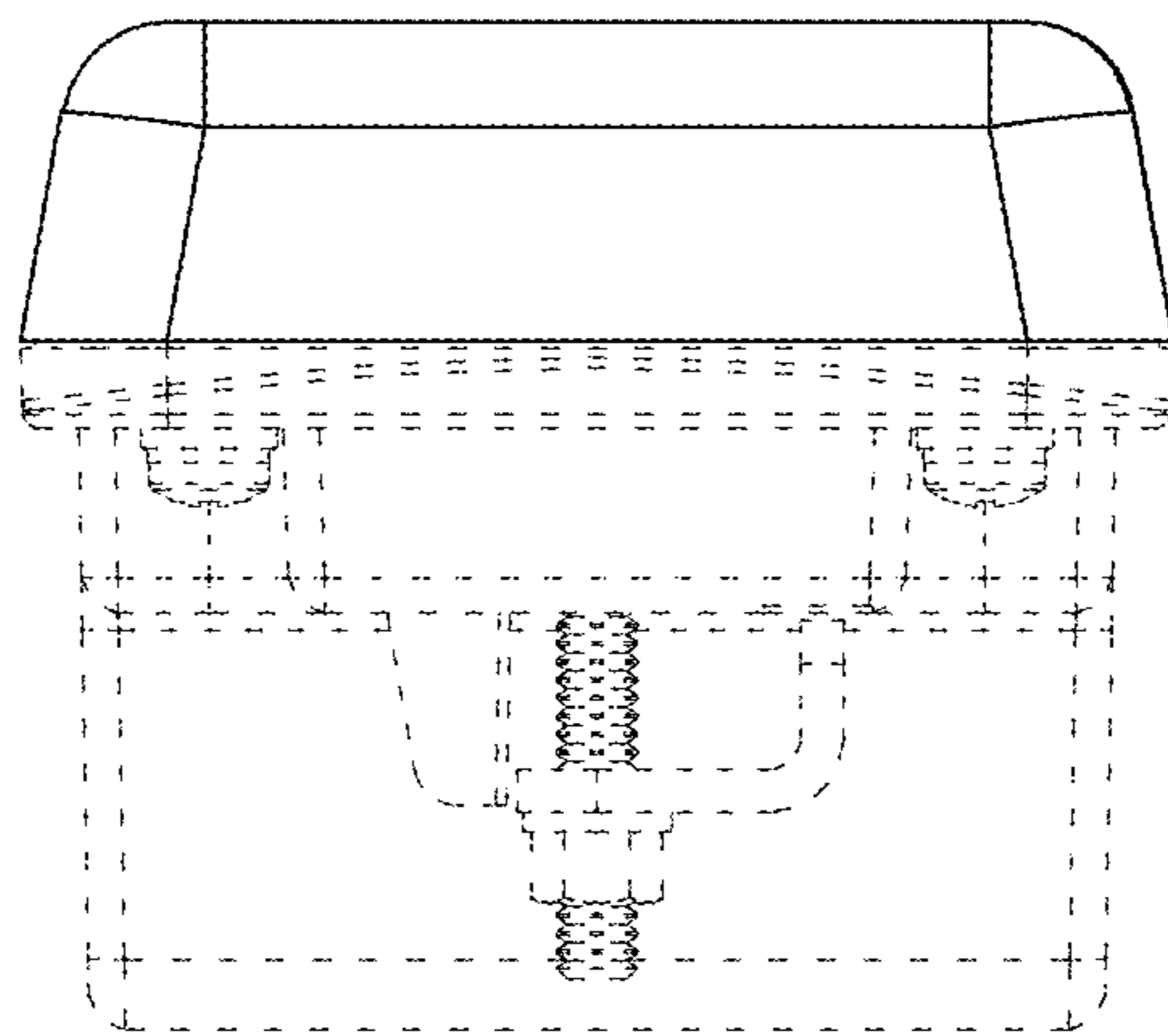


FIG. 22

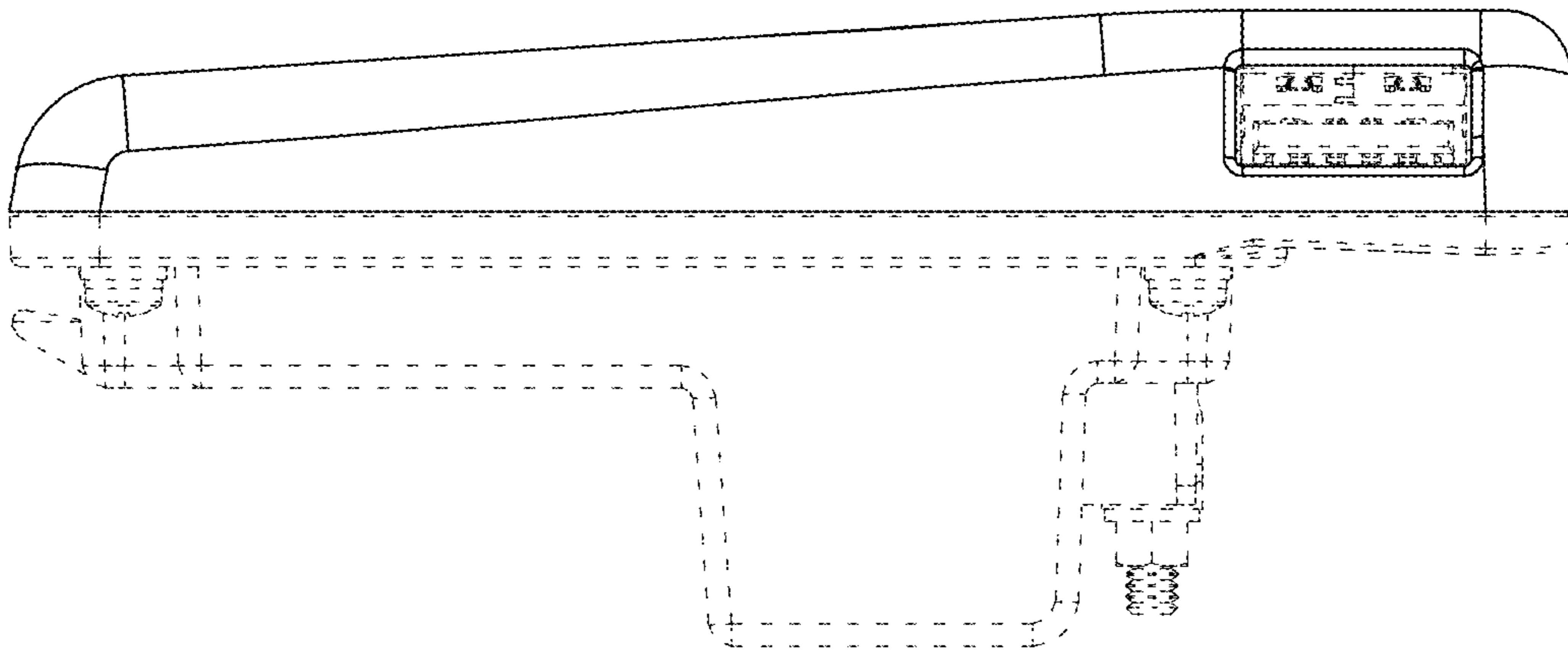


FIG. 23

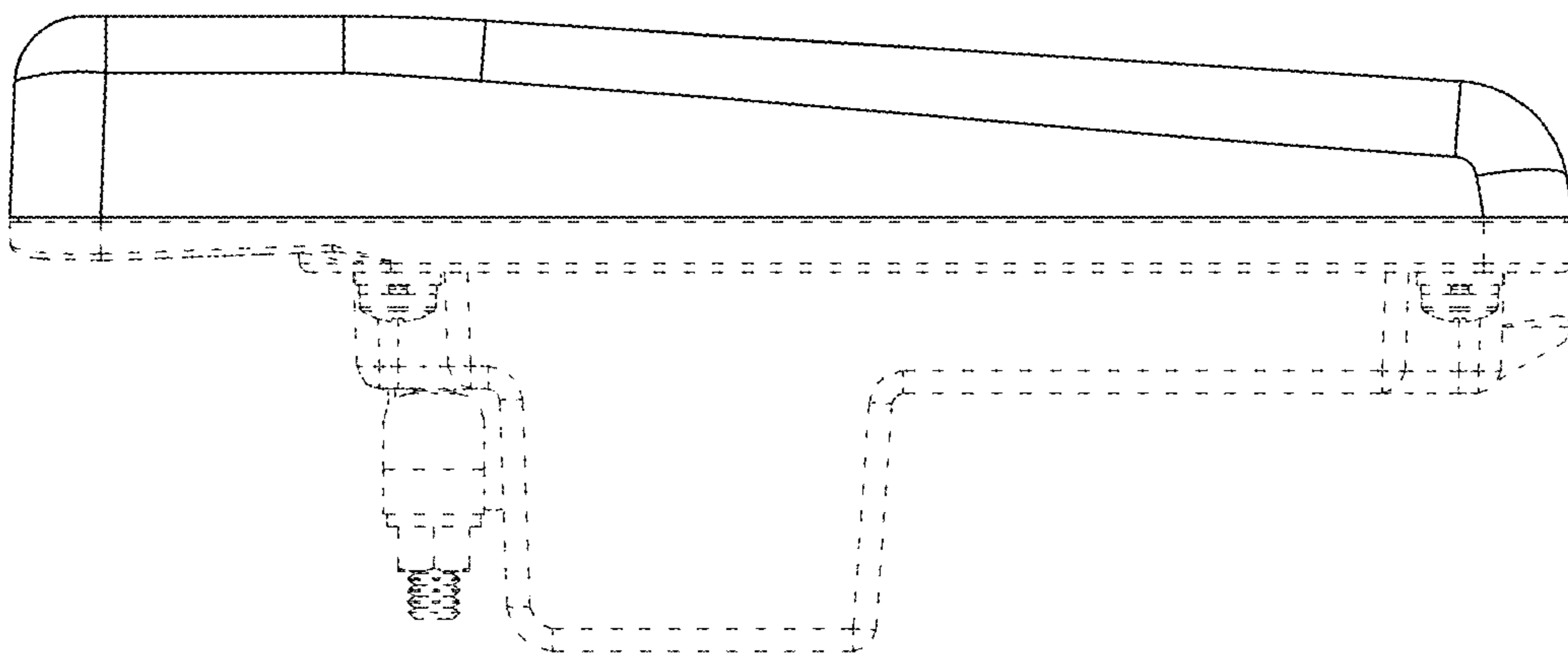


FIG. 24



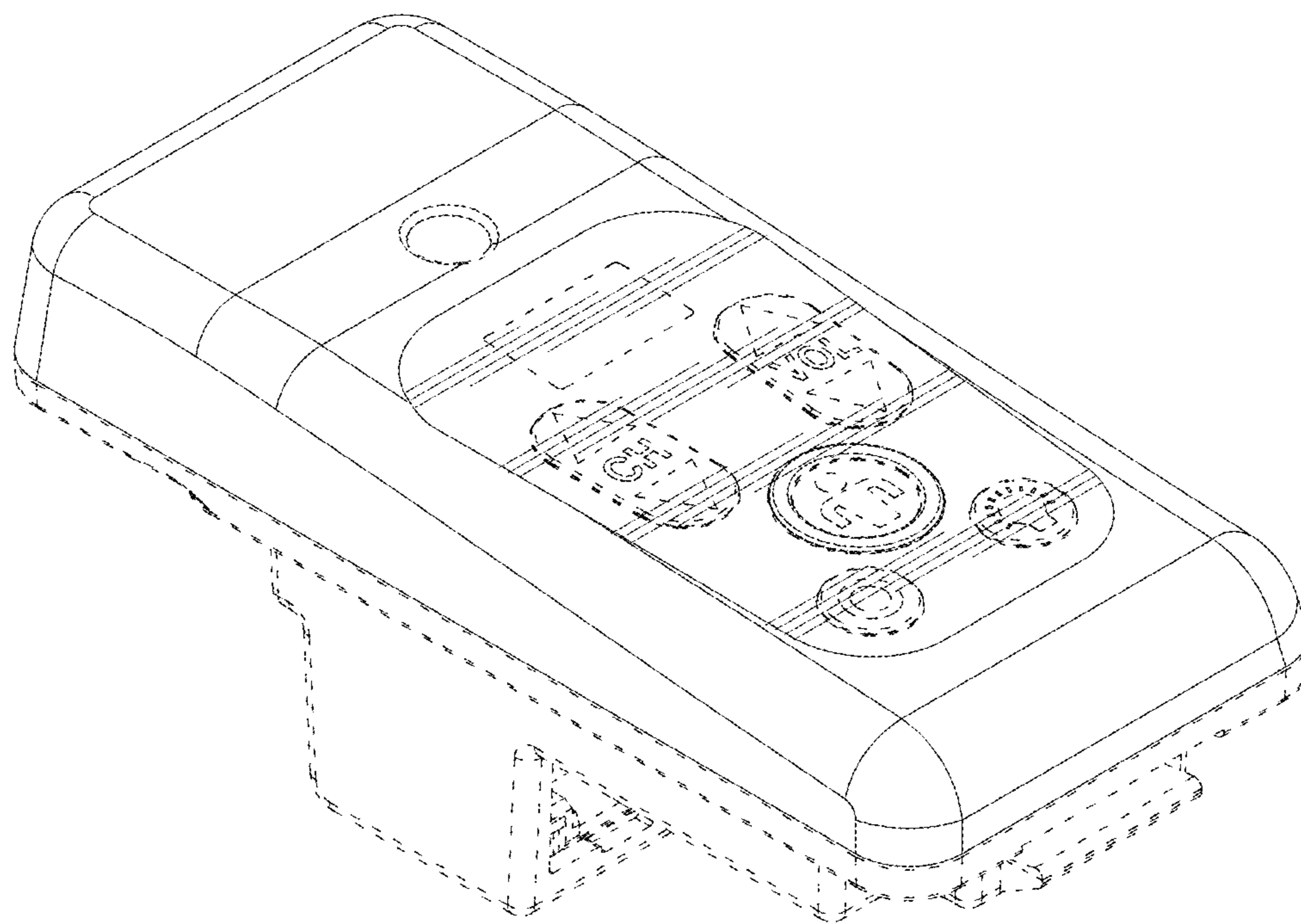


FIG.25

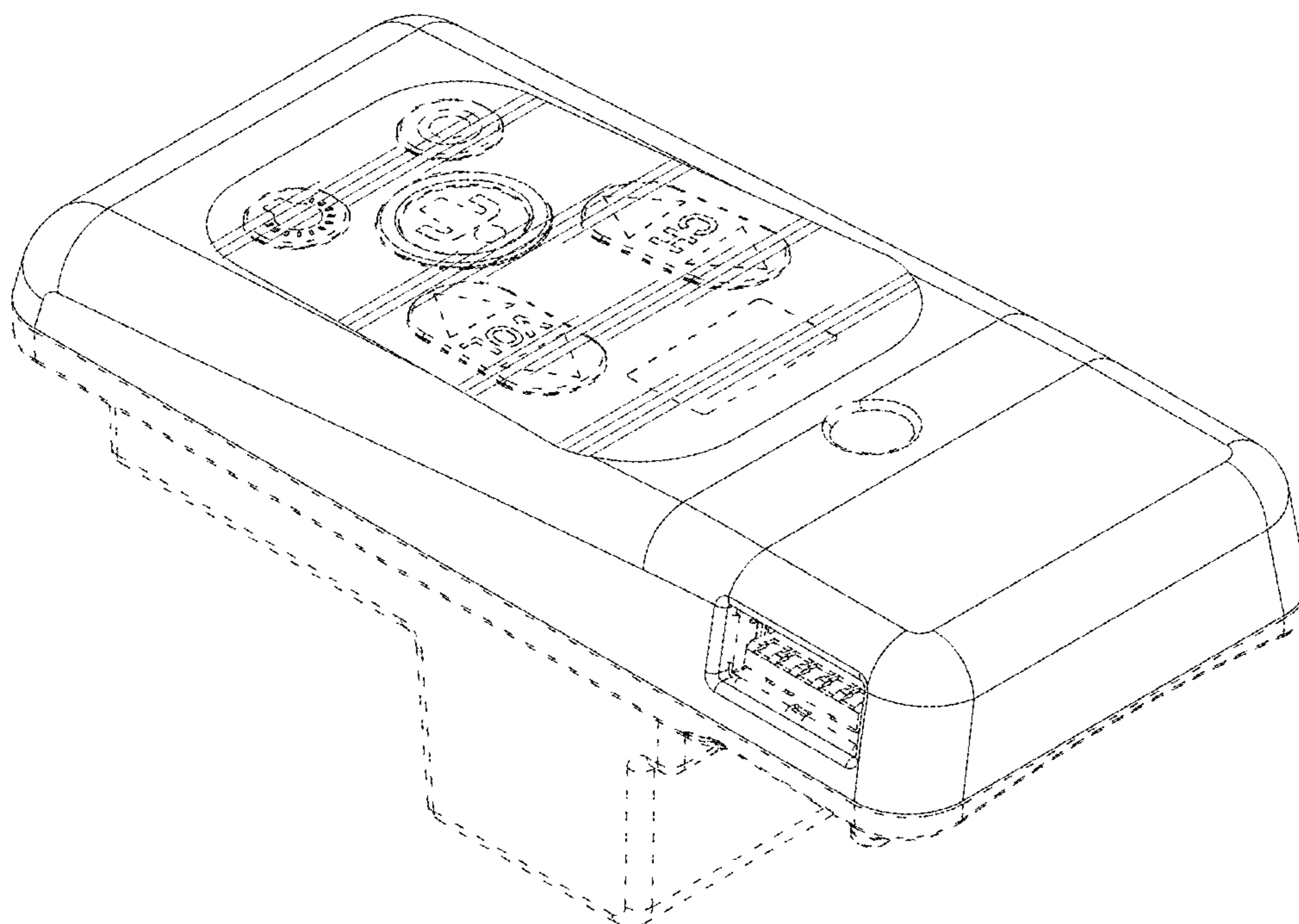


FIG.26

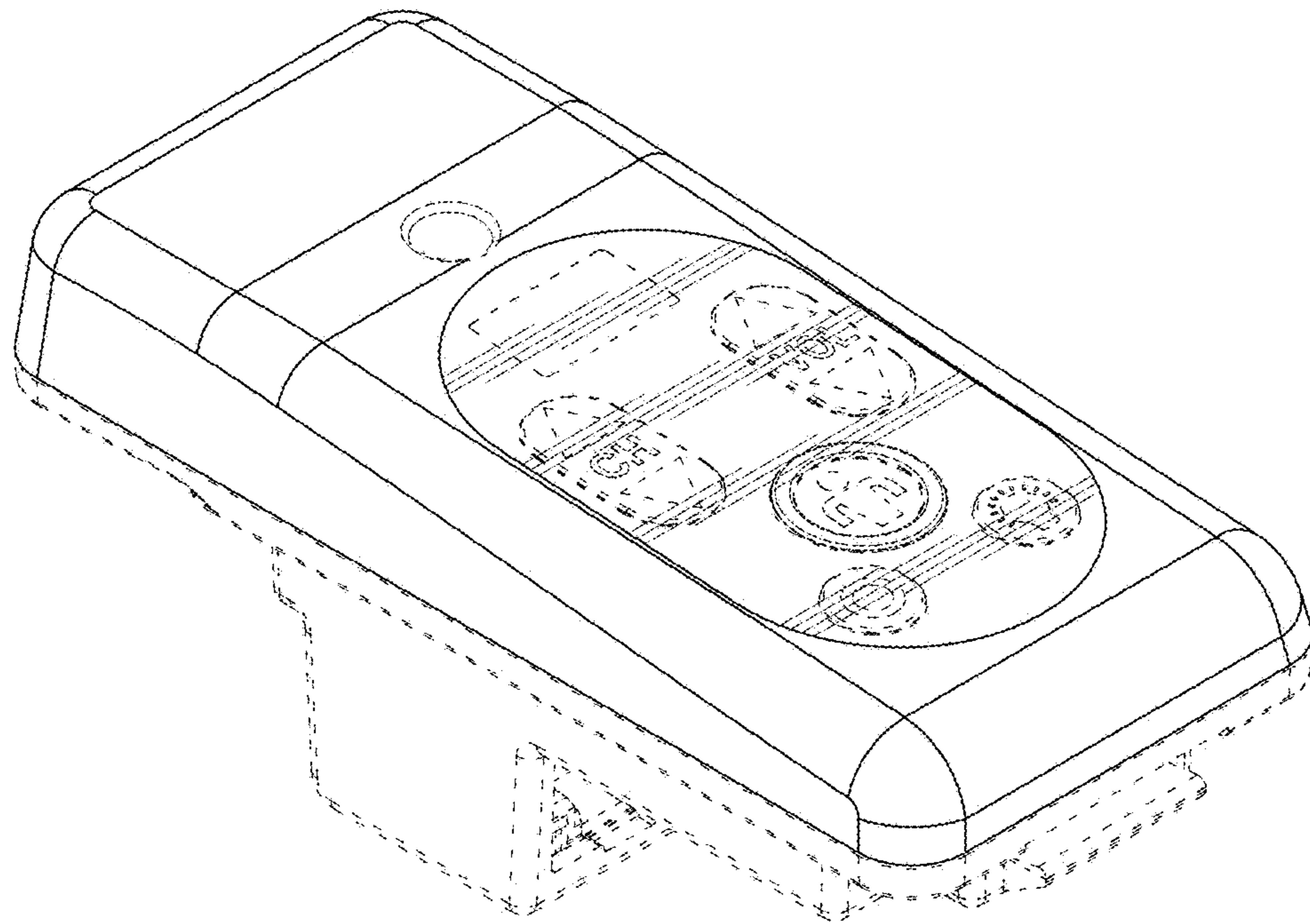


FIG.27

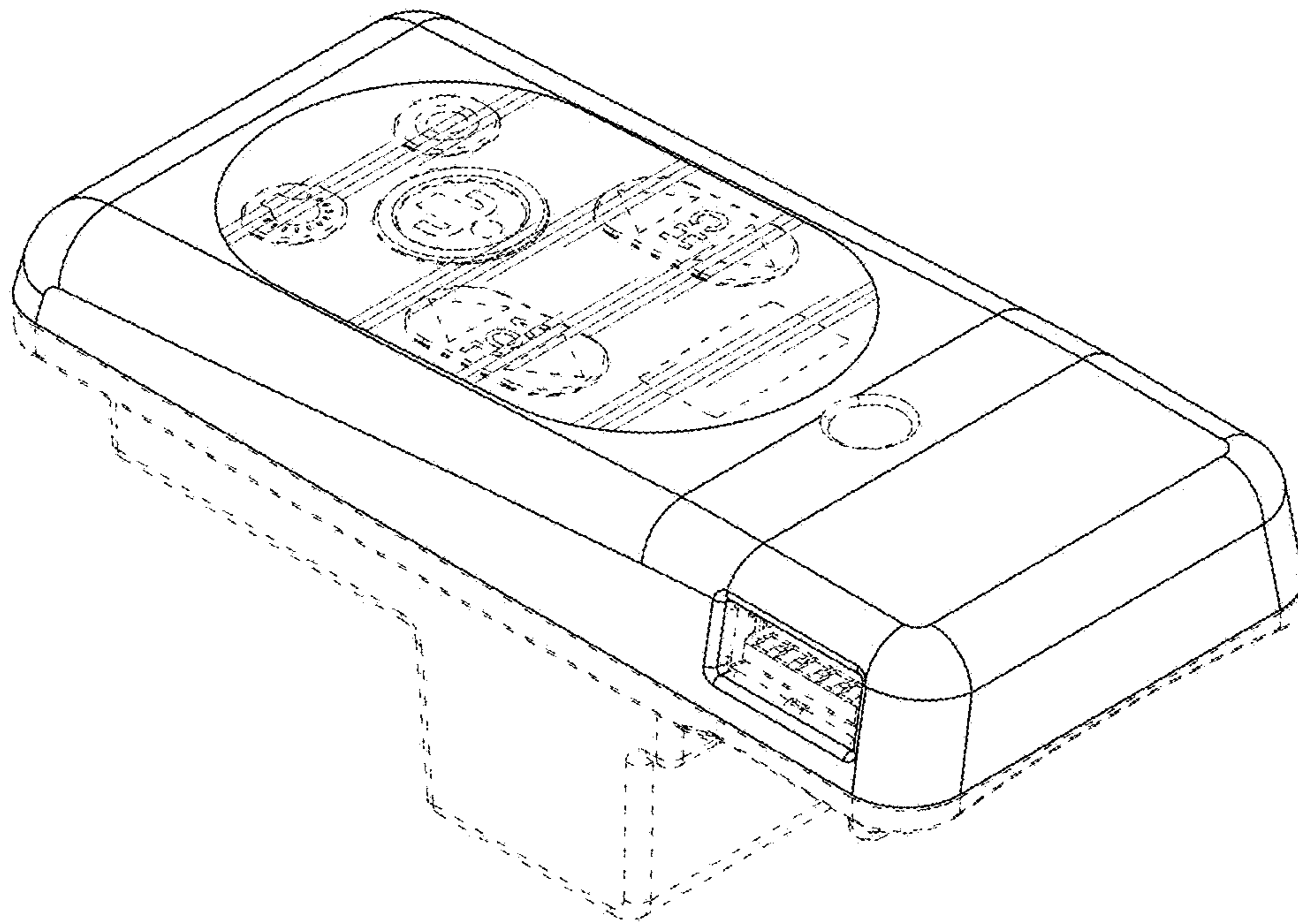


FIG.28

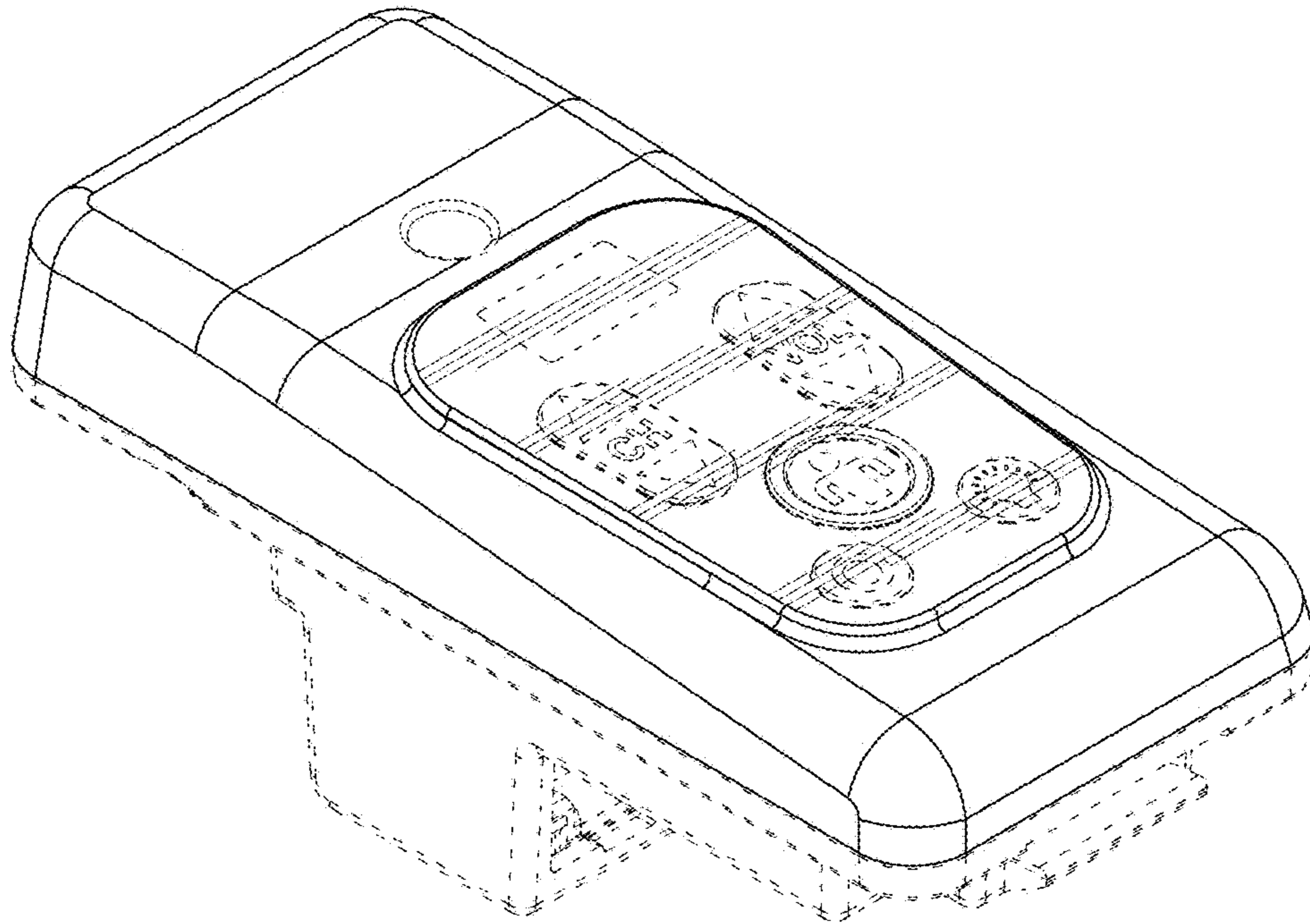


FIG. 29

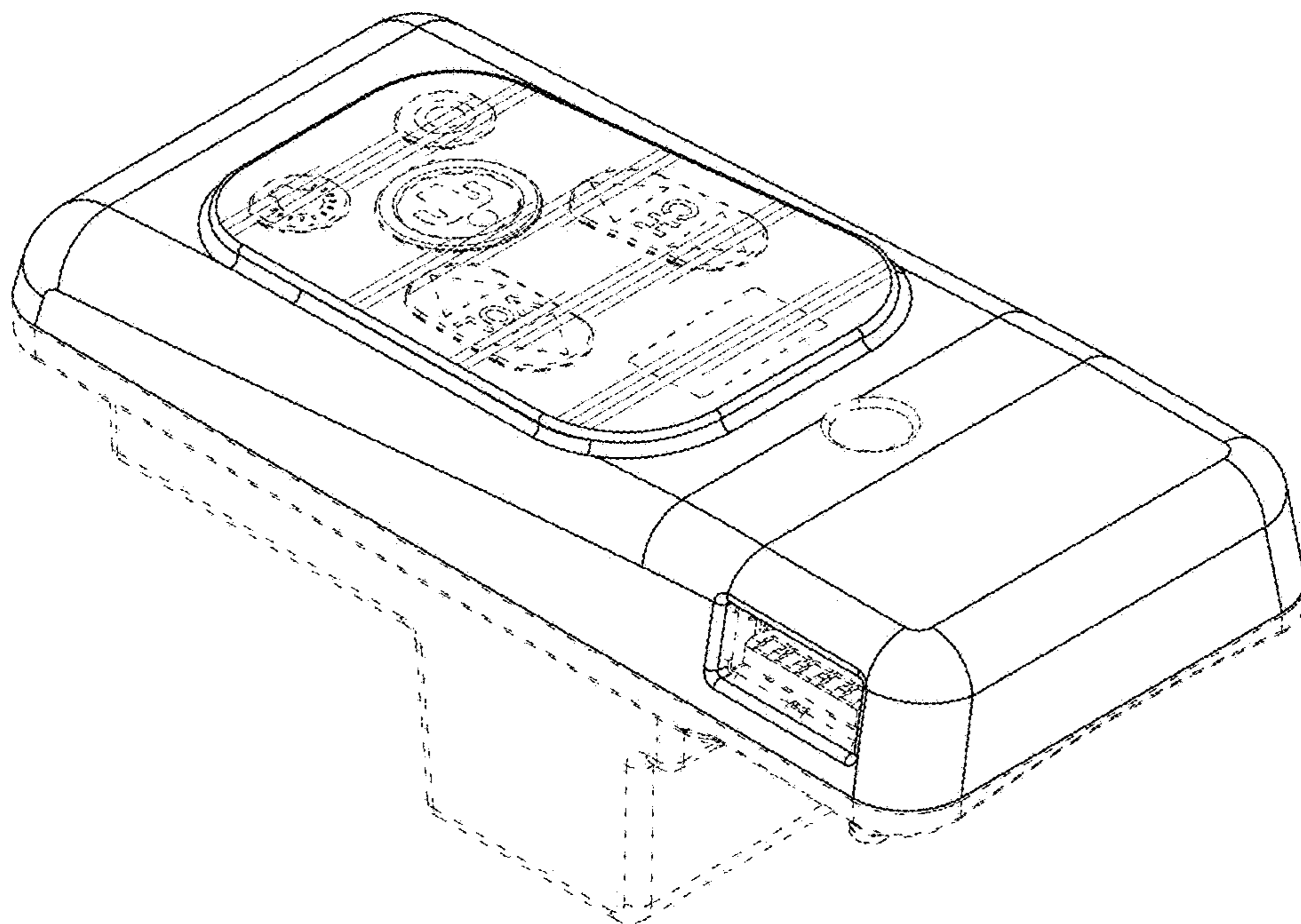


FIG. 30

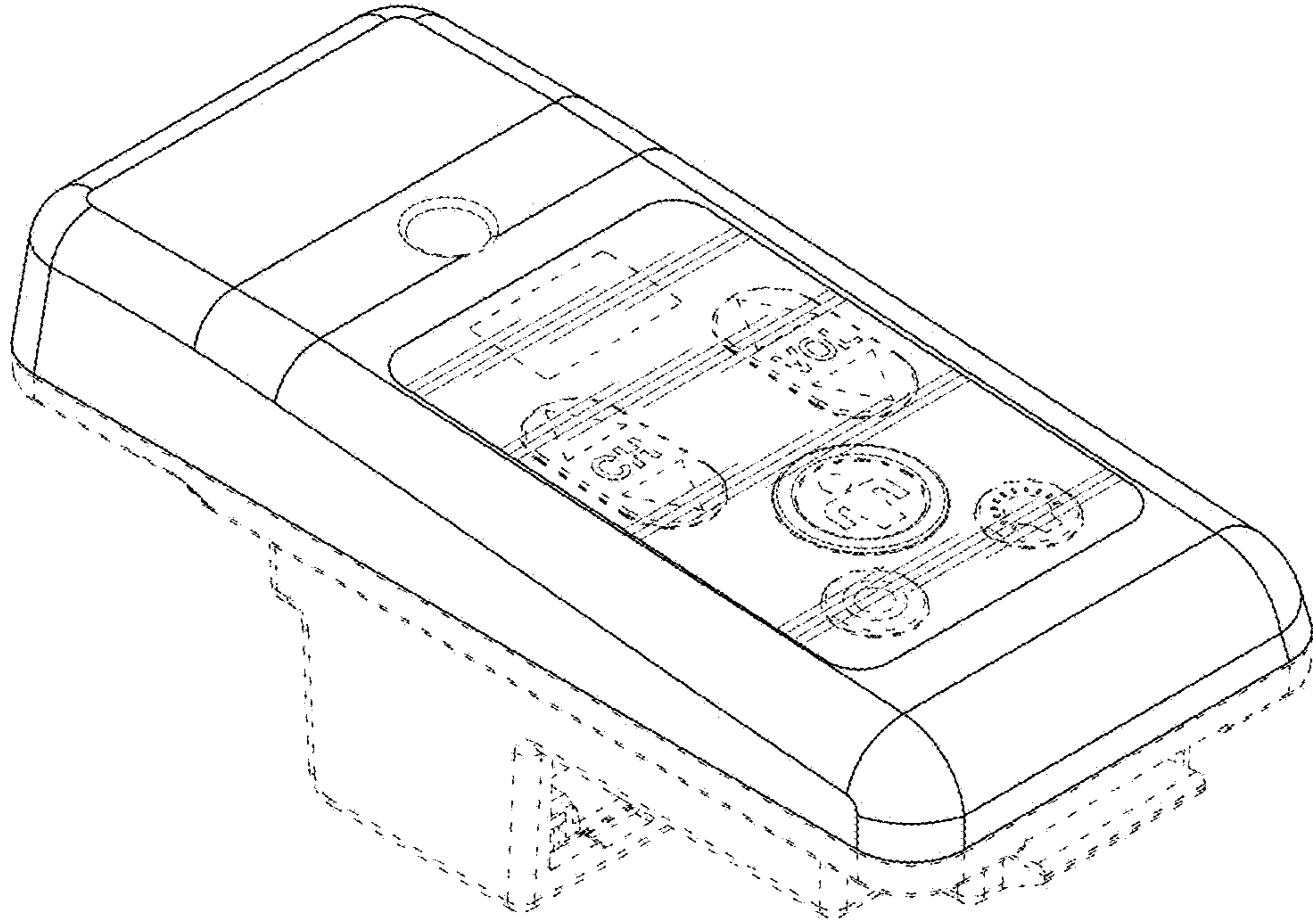


FIG. 31

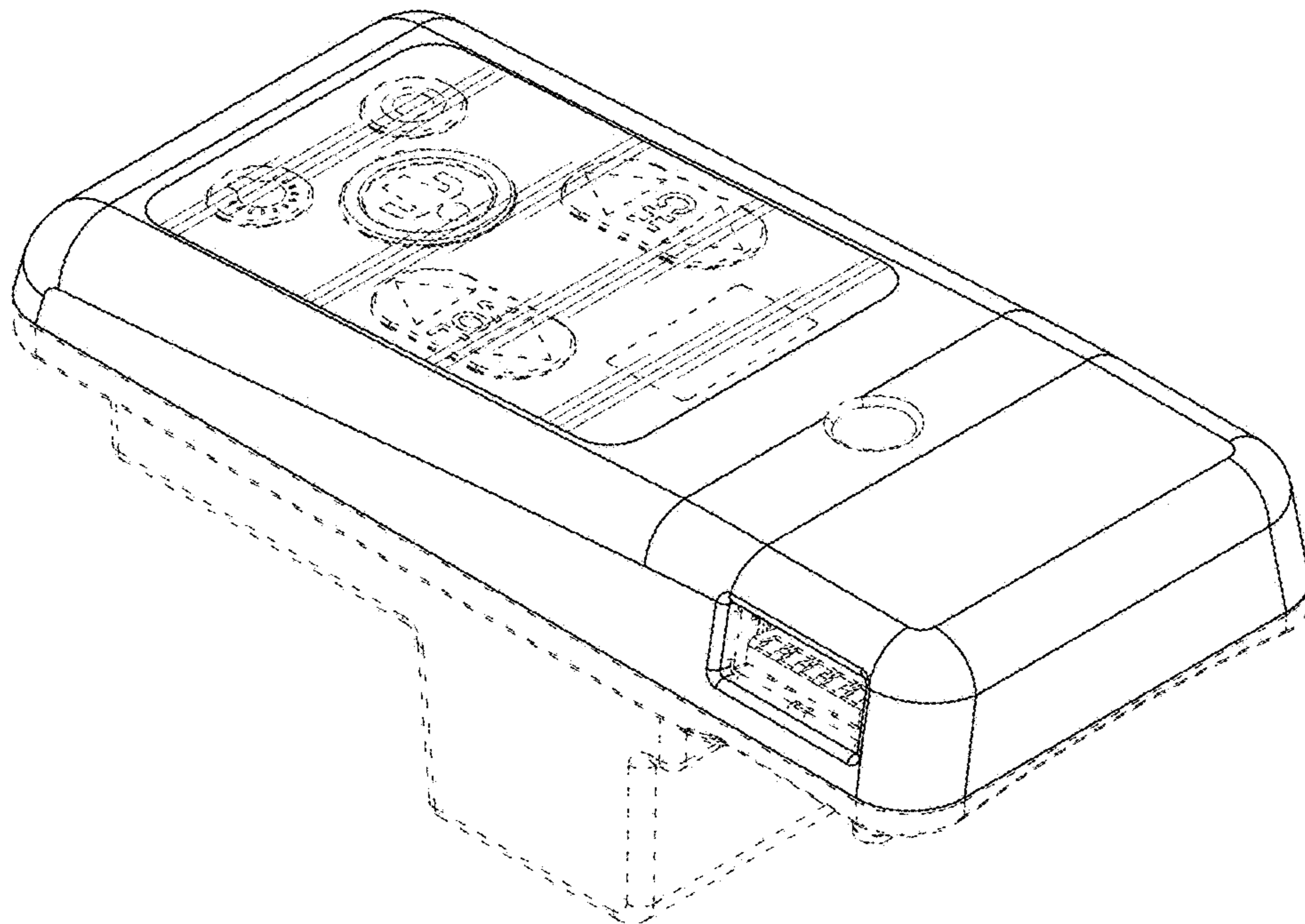


FIG. 32

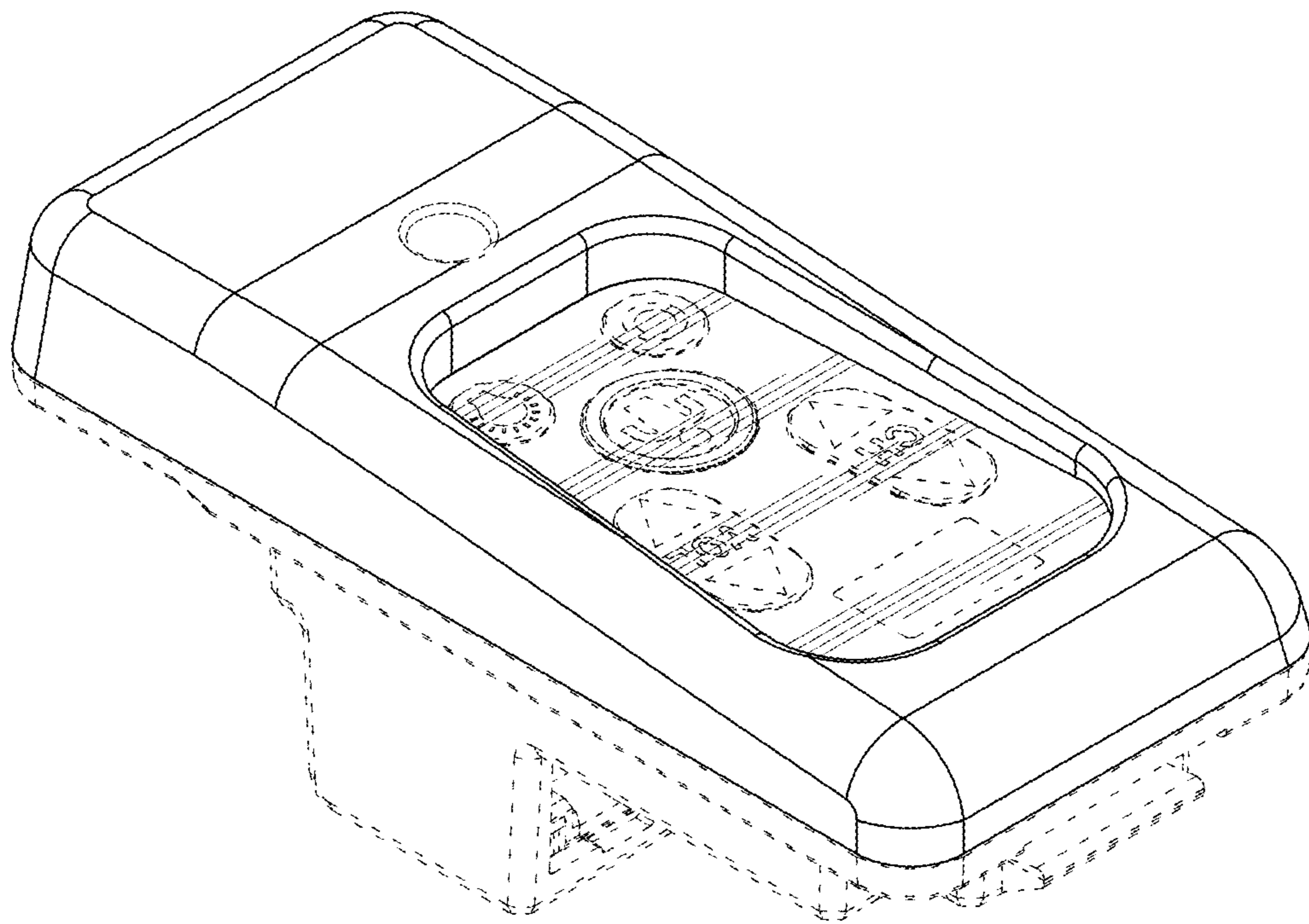


FIG.33

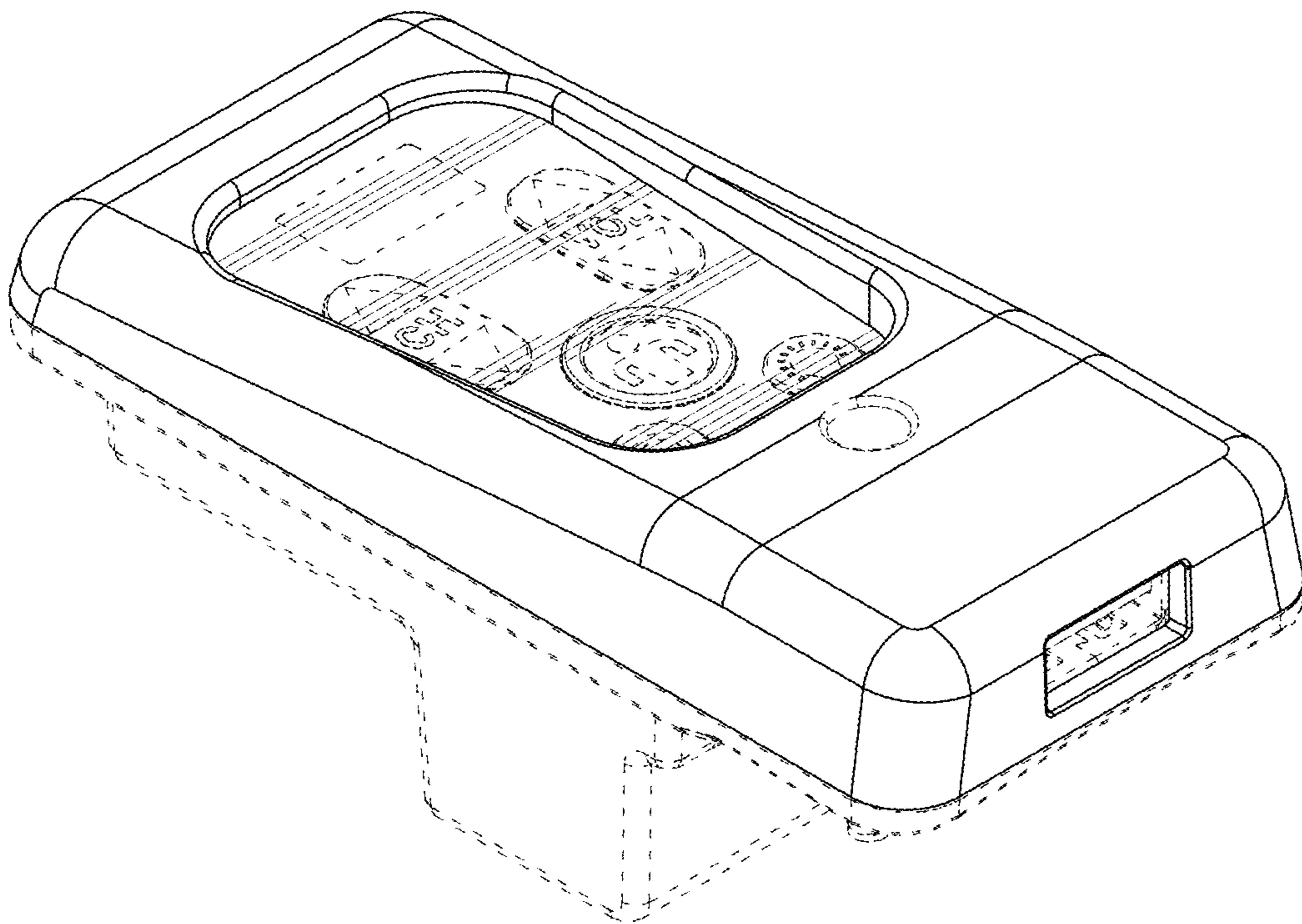


FIG.34

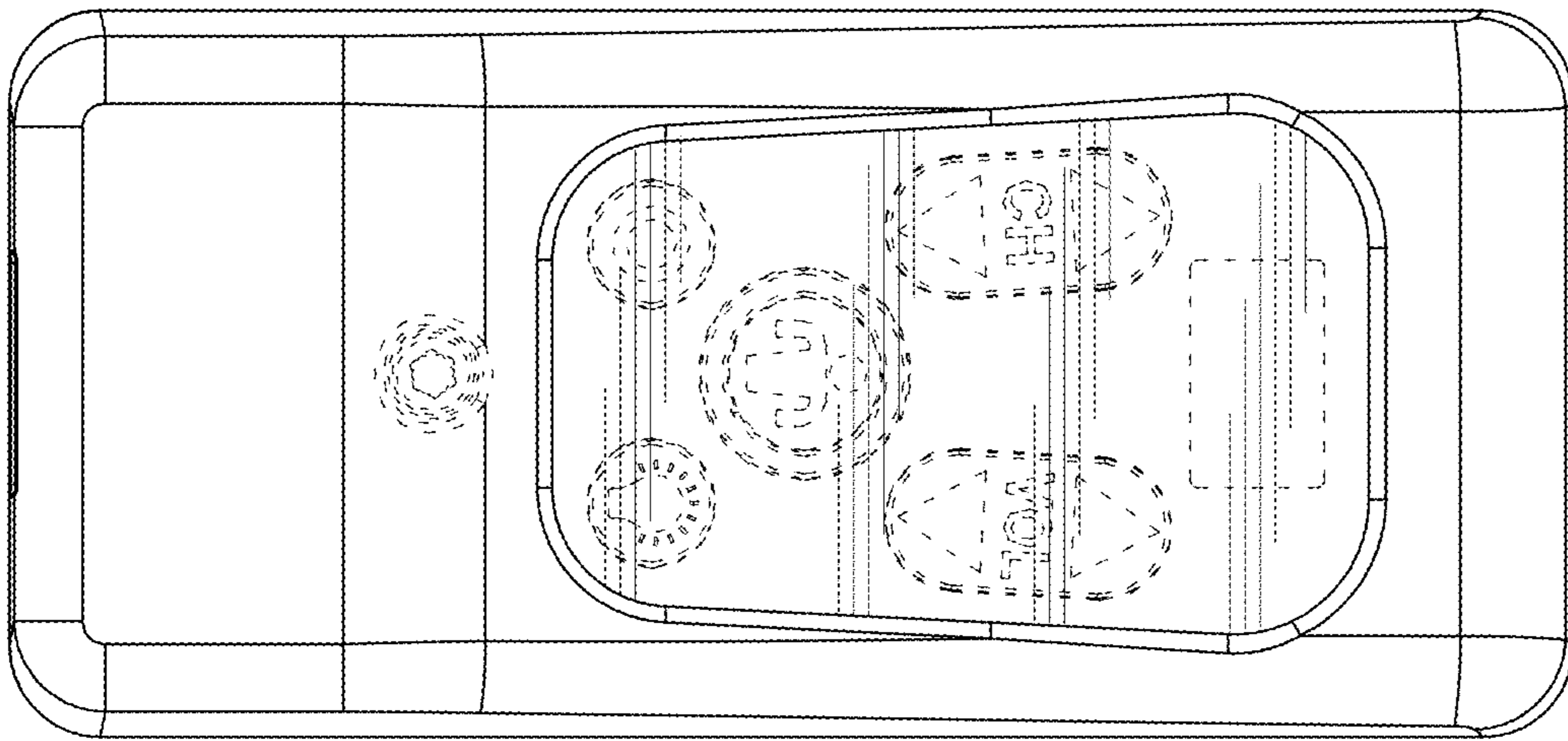


FIG. 35

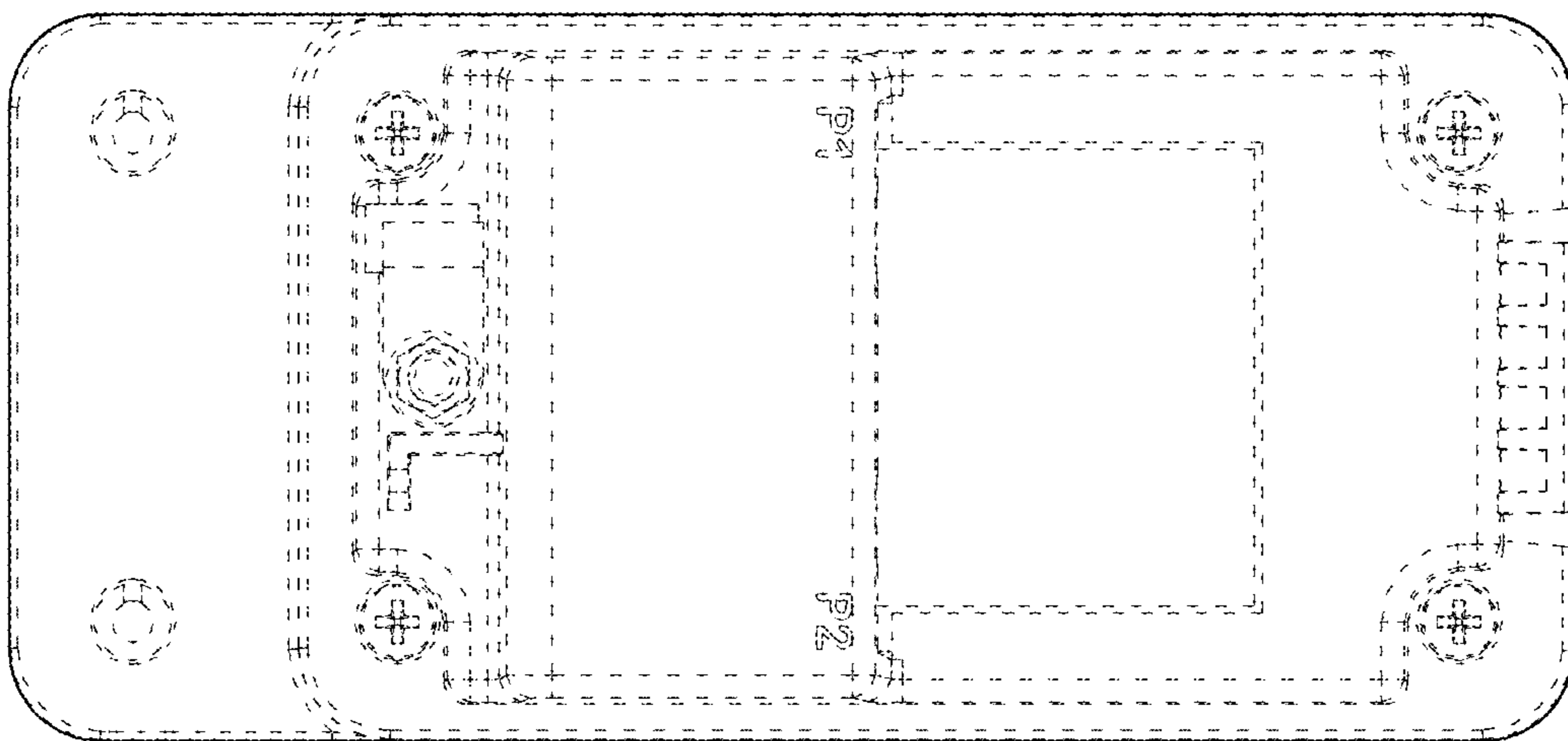


FIG. 36

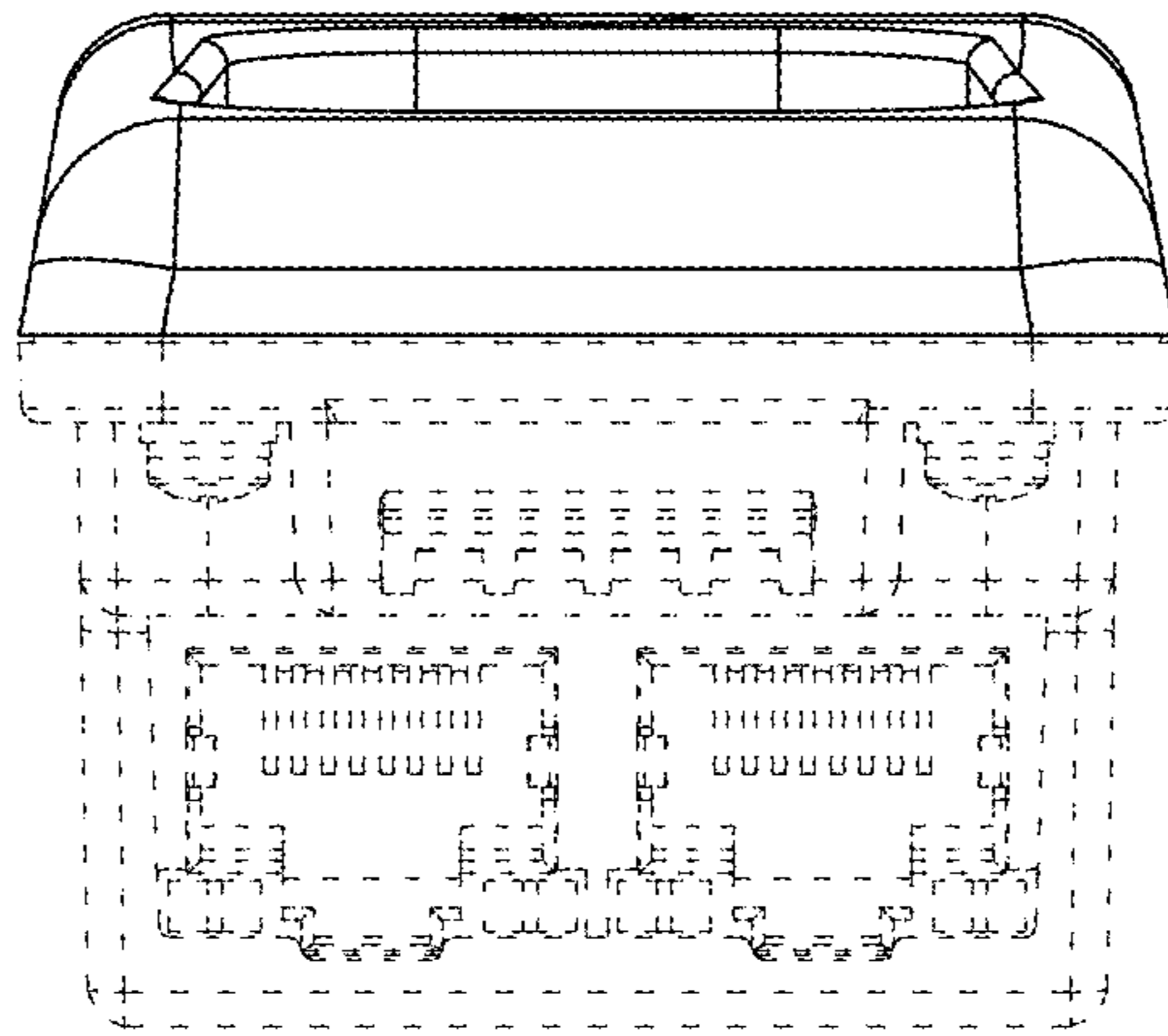


FIG.37

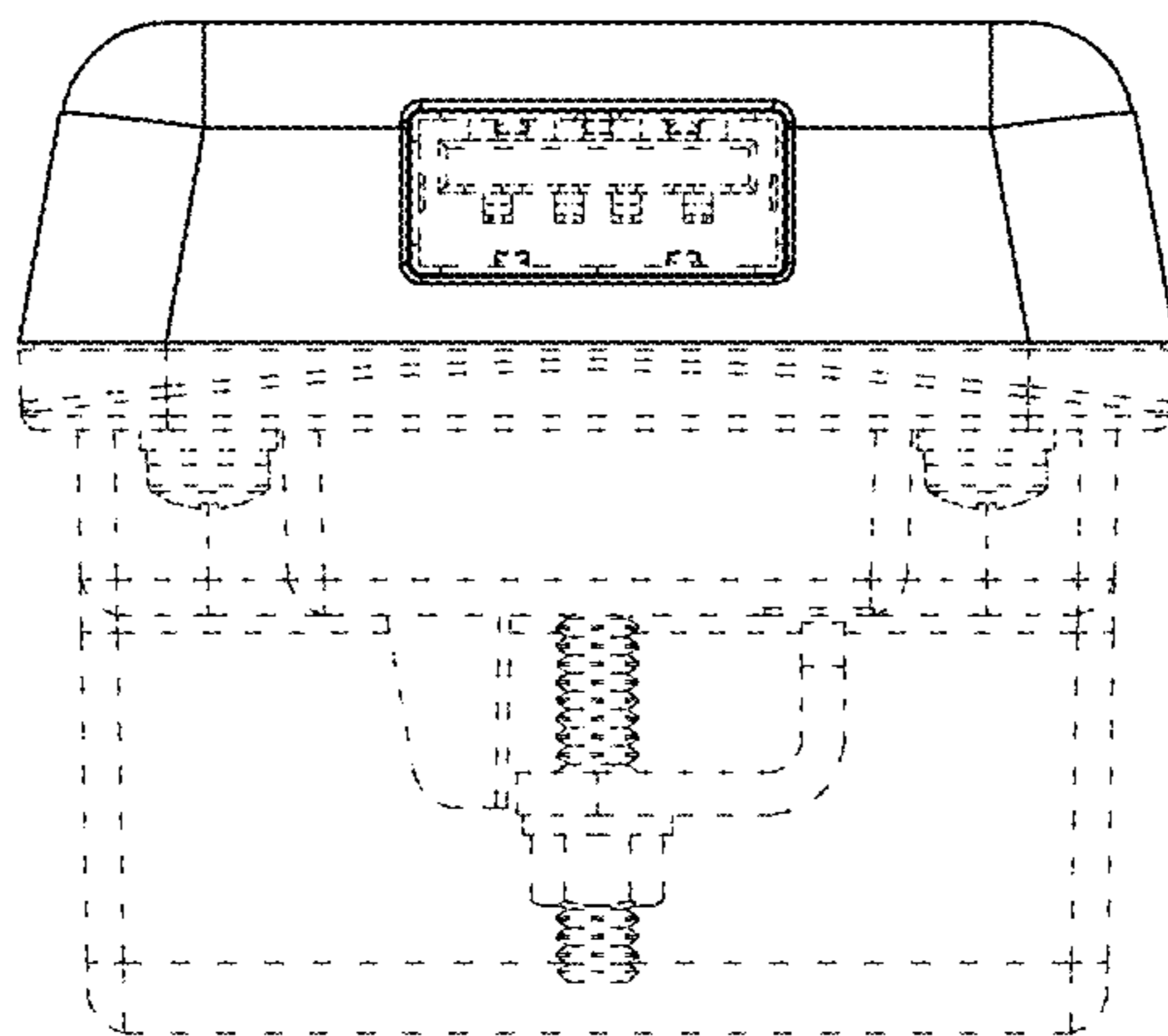


FIG.38



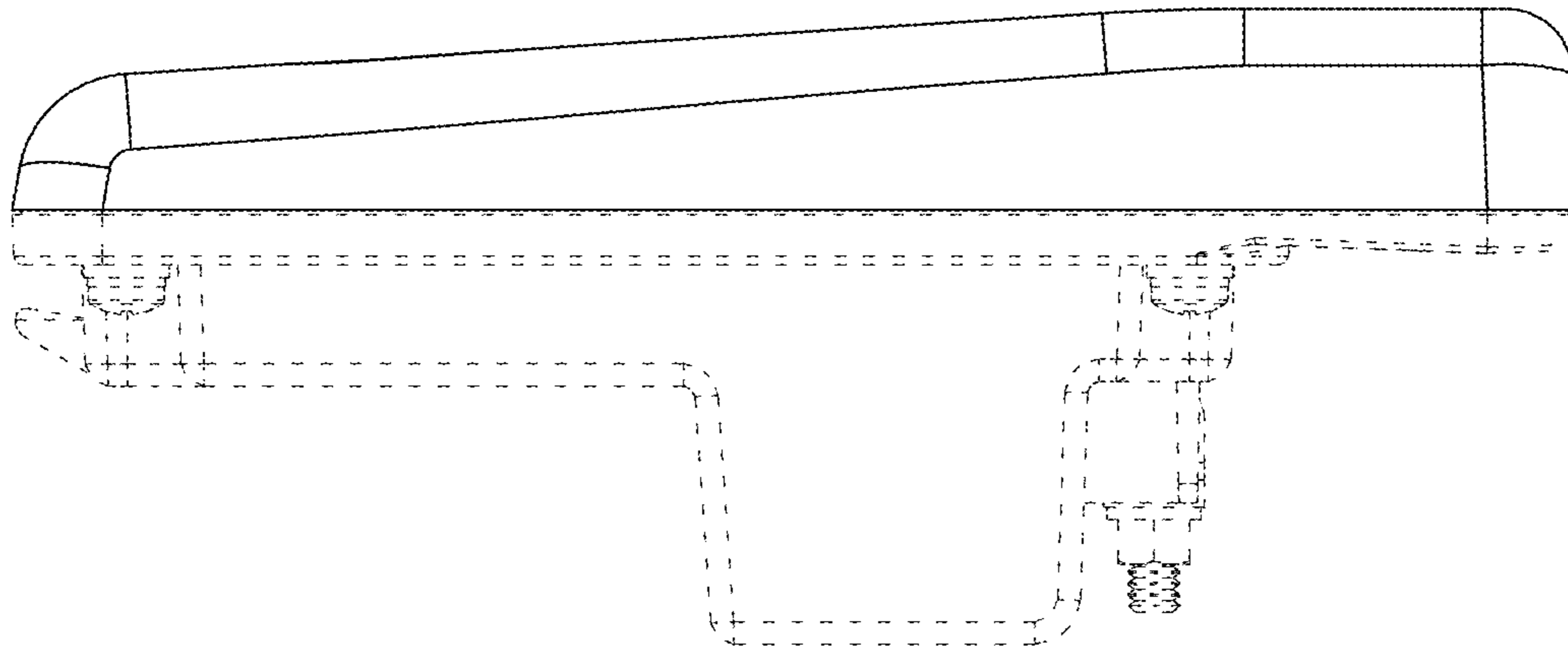


FIG. 39

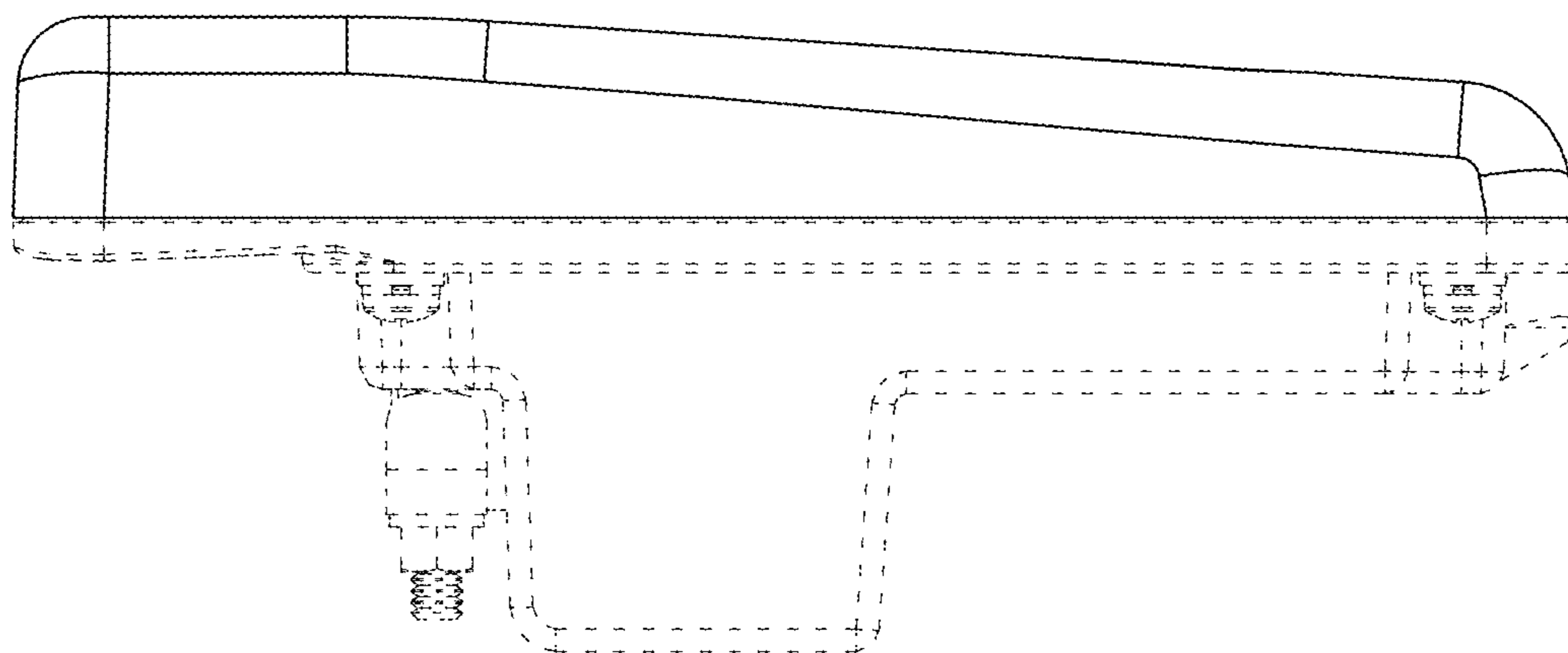


FIG. 40

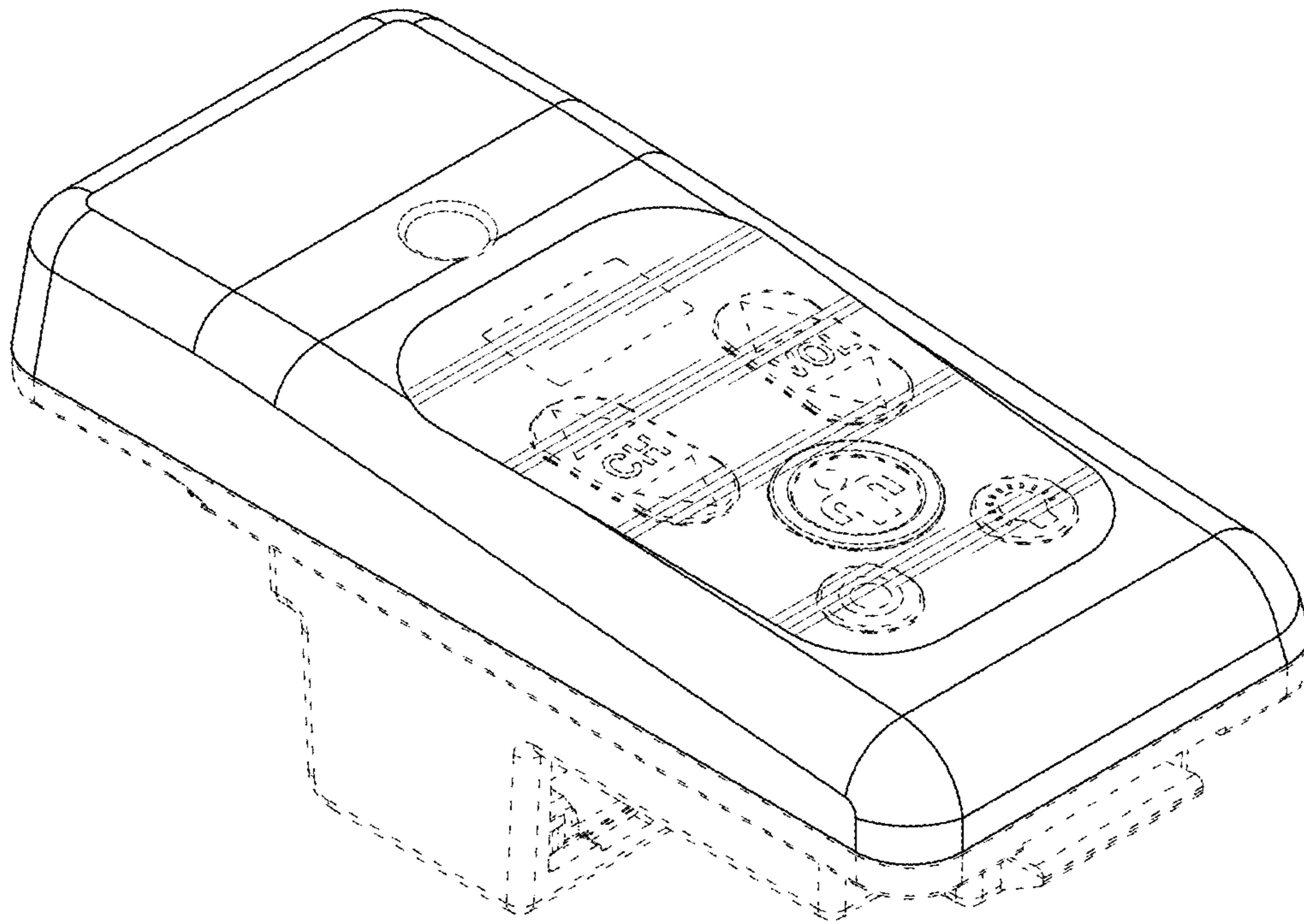


FIG. 41

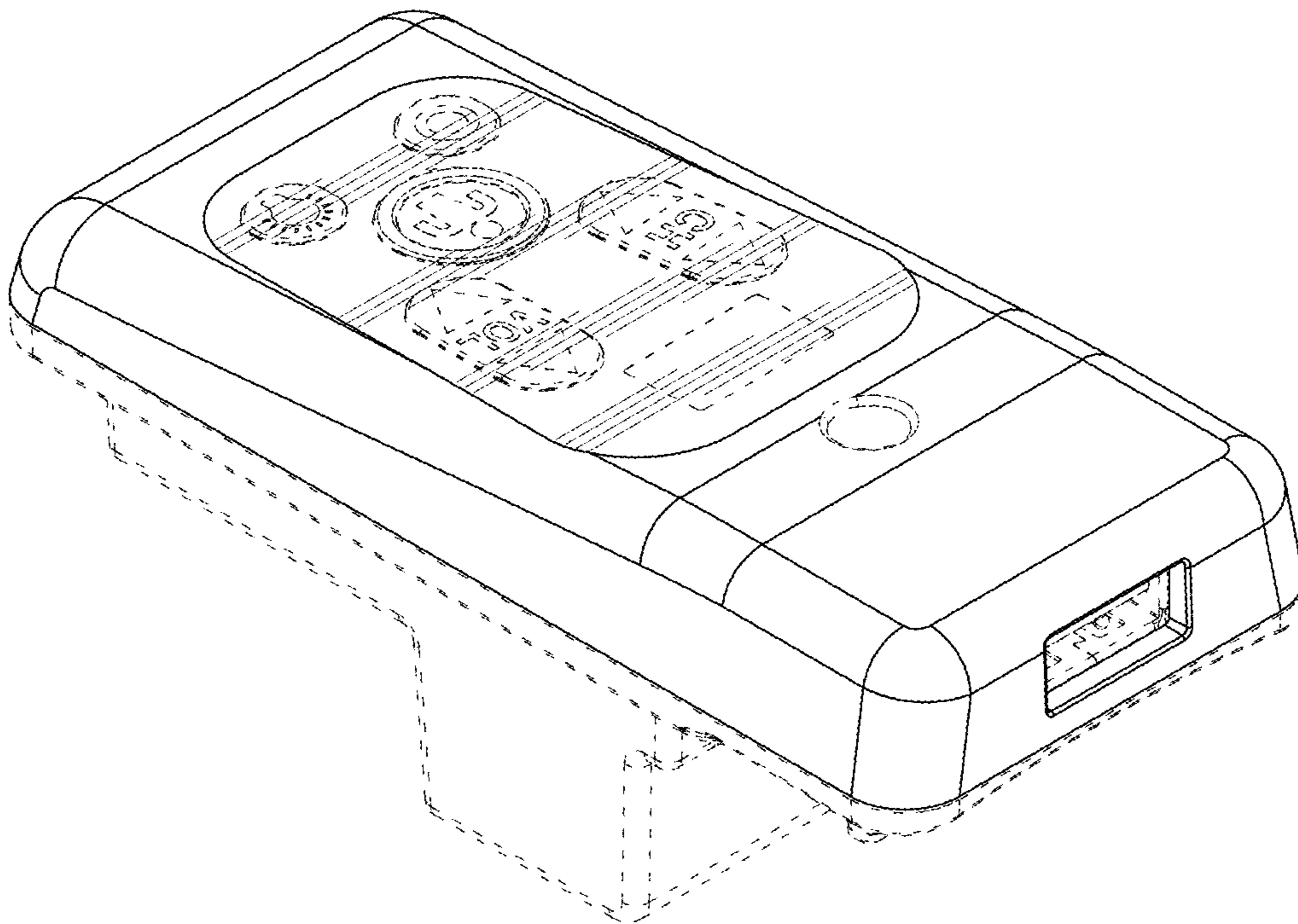


FIG. 42

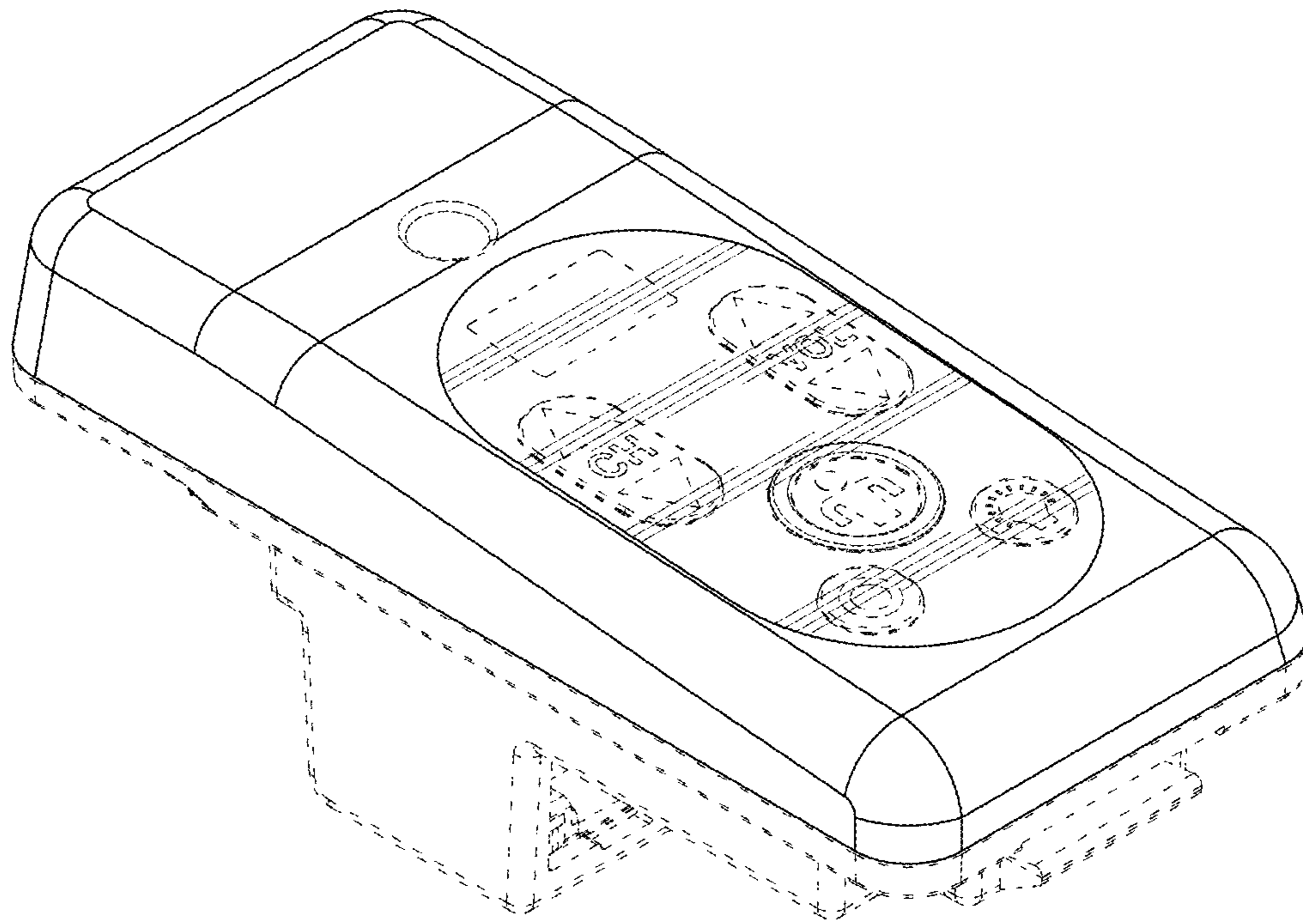


FIG.43

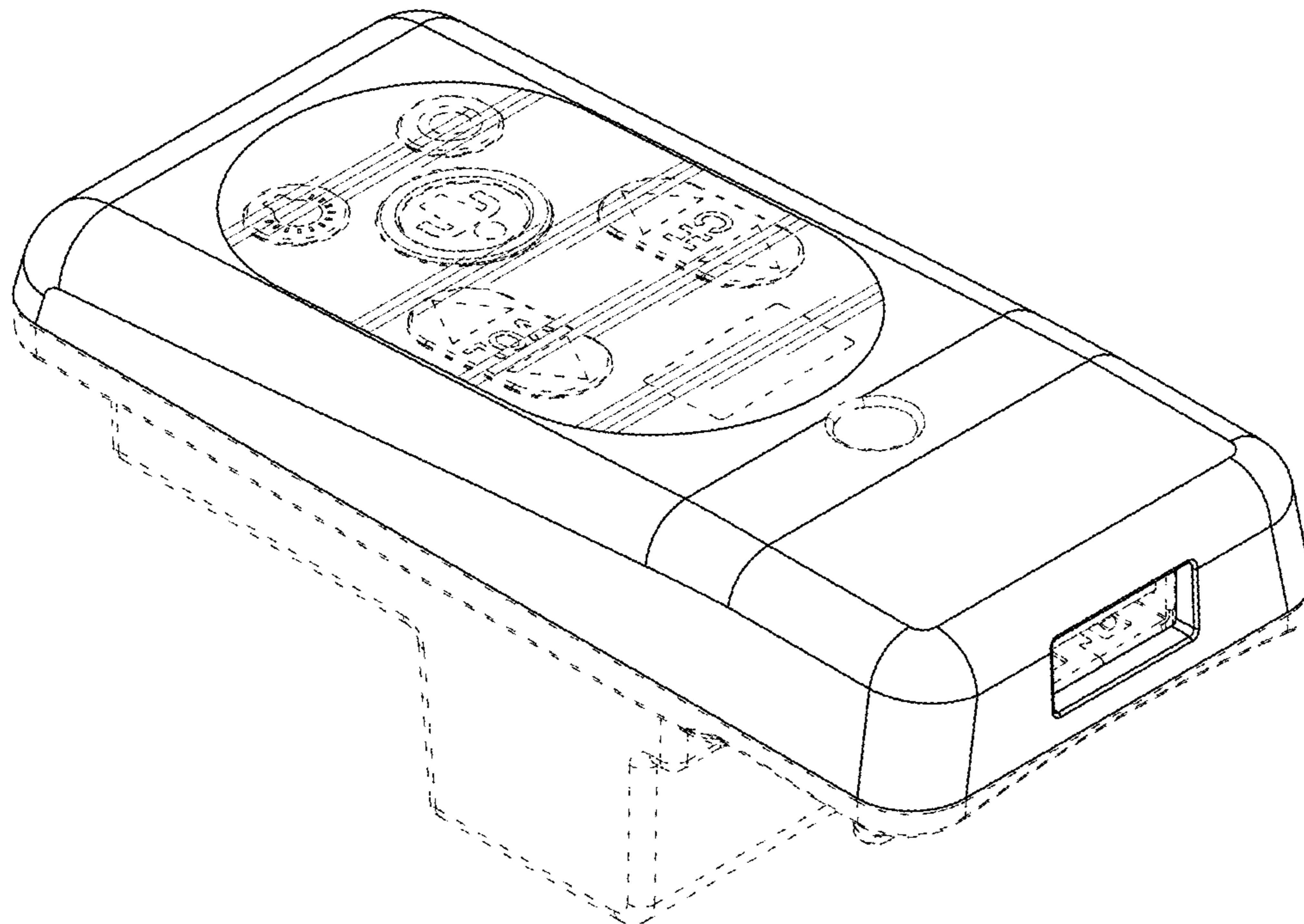


FIG.44

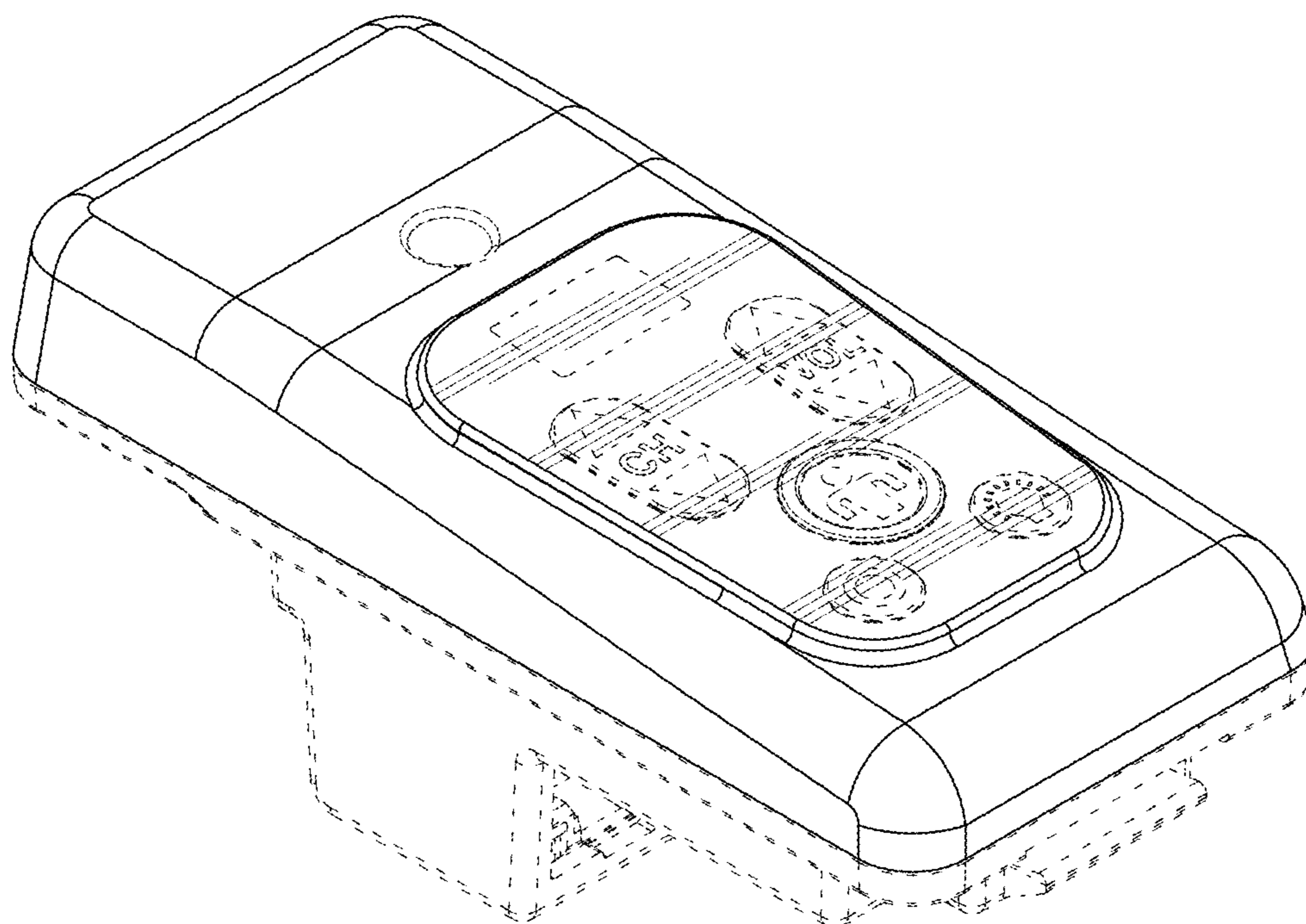


FIG.45

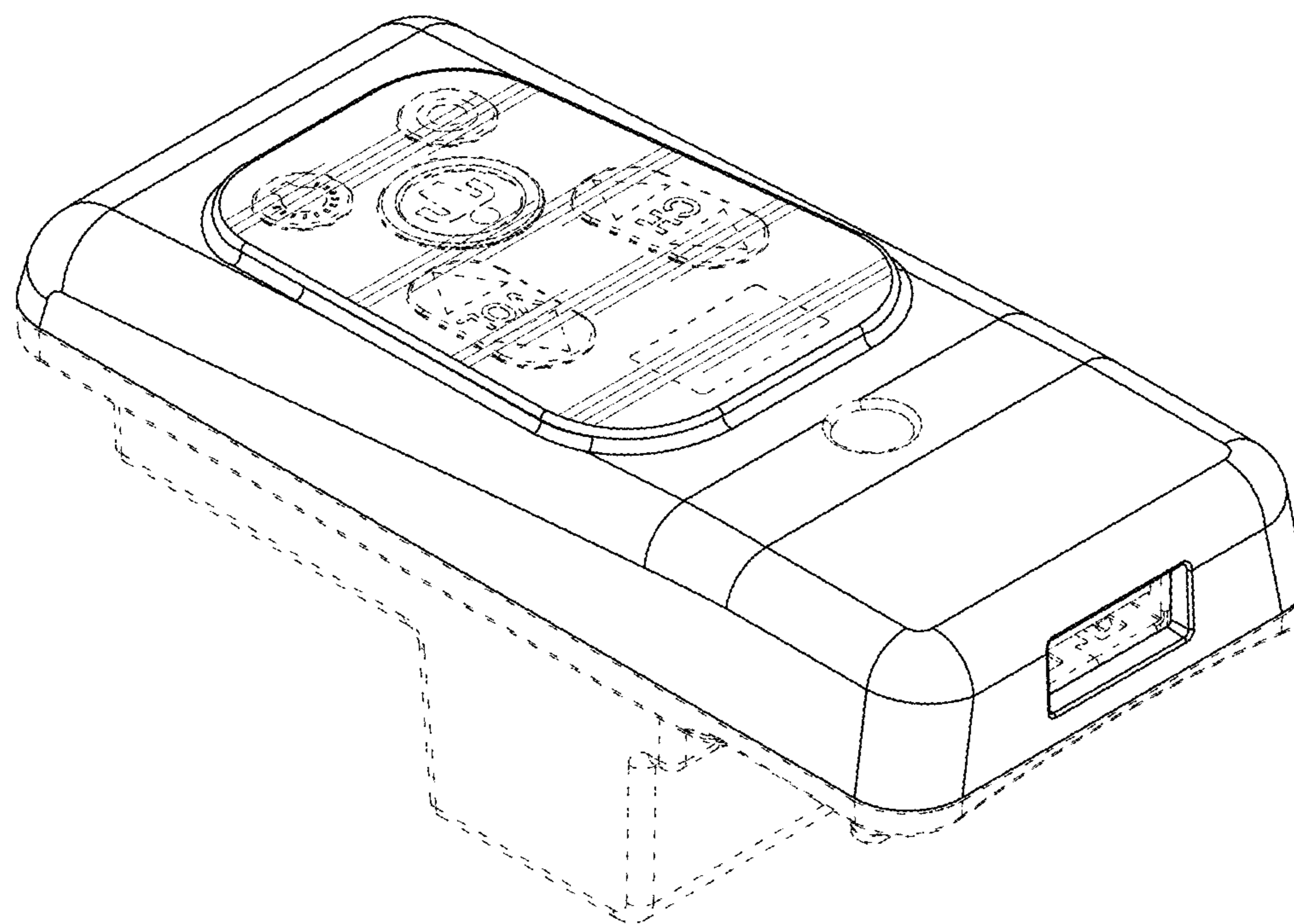


FIG.46

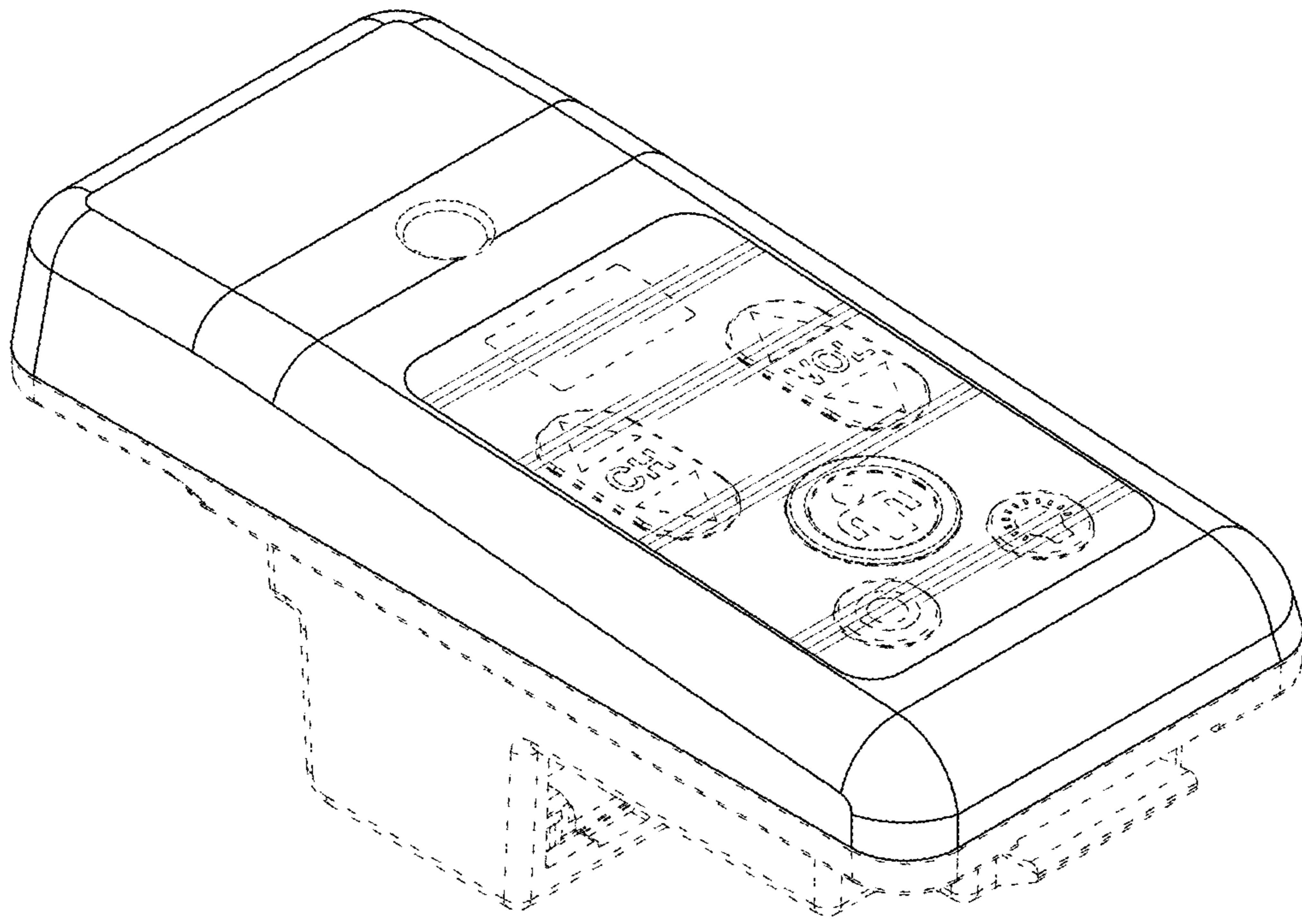


FIG.47

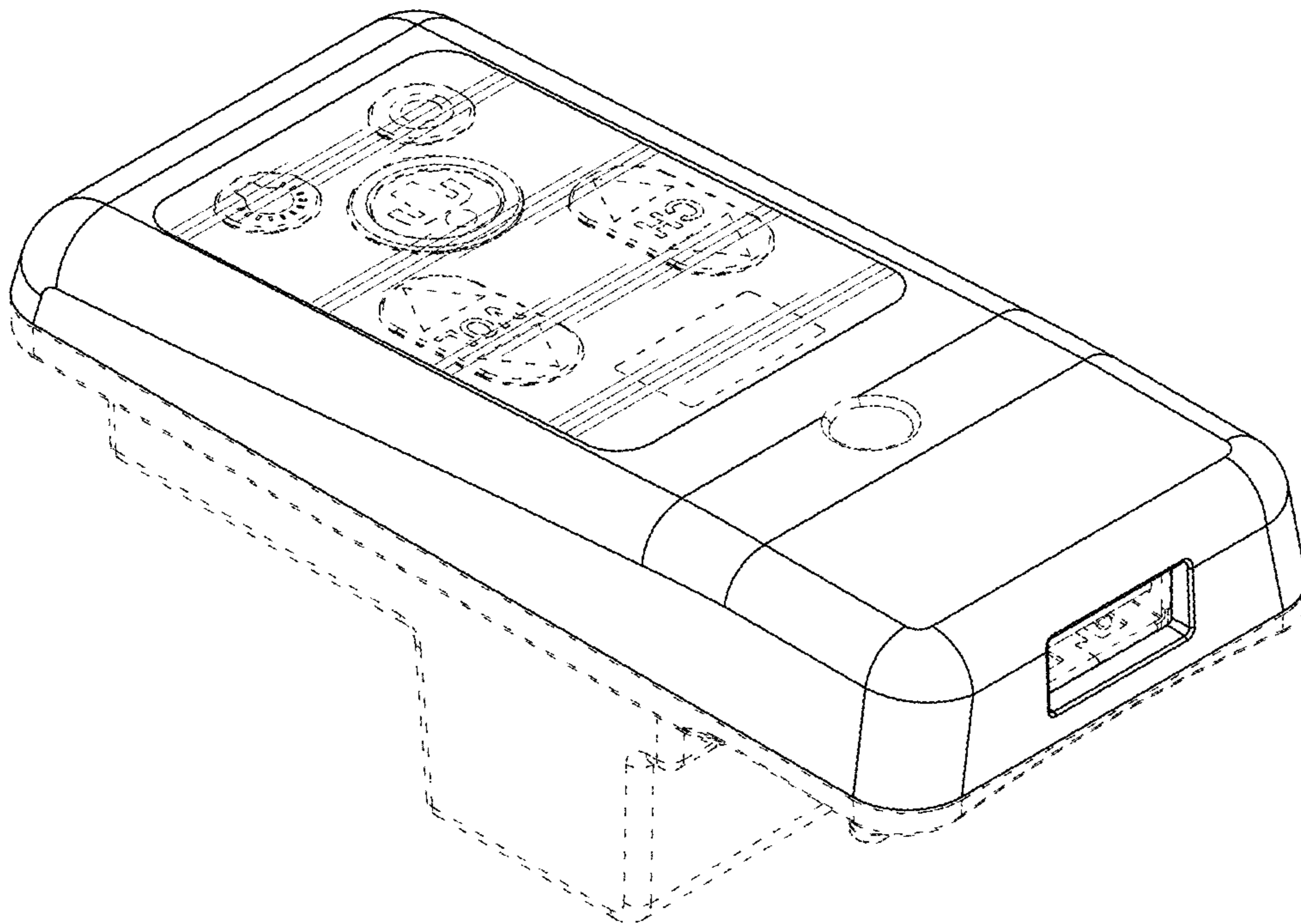


FIG.48