



US00D797641S

(12) **United States Design Patent** (10) **Patent No.:** **US D797,641 S**
Cummings (45) **Date of Patent:** **** Sep. 19, 2017**

(54) **AIRCRAFT WITH SLOTTED INBOARD WINGS**

D760,637 S * 7/2016 Cummings D12/343
D784,903 S * 4/2017 Adams D12/343
2008/0073459 A1* 3/2008 Cazals B64C 5/06
244/13

(71) Applicant: **Darold B Cummings**, Coeur D'Alene, ID (US)

* cited by examiner

(72) Inventor: **Darold B Cummings**, Coeur D'Alene, ID (US)

Primary Examiner — Robert M Spear

Assistant Examiner — Marissa J Cash

(**) Term: **15 Years**

(74) *Attorney, Agent, or Firm* — Morland C. Fischer

(21) Appl. No.: **29/552,020**

(57) **CLAIM**

(22) Filed: **Jan. 19, 2016**

The ornamental design for an aircraft with slotted inboard wings, as shown and described.

(51) **LOC (10) Cl.** **12-07**

(52) **U.S. Cl.**
USPC **D12/343; D21/436**

DESCRIPTION

(58) **Field of Classification Search**
USPC D12/16.1, 319–345; D21/436, 441, 442, D21/443, 446, 447, 448, 449, 450, 451, D21/452, 453, 454
CPC ... B64C 27/20; B64C 27/08; B64C 2201/104; B64C 2201/021; B64C 2201/128; B64C 2201/024; B64C 2201/141; B64C 2201/108; B64C 39/024
See application file for complete search history.

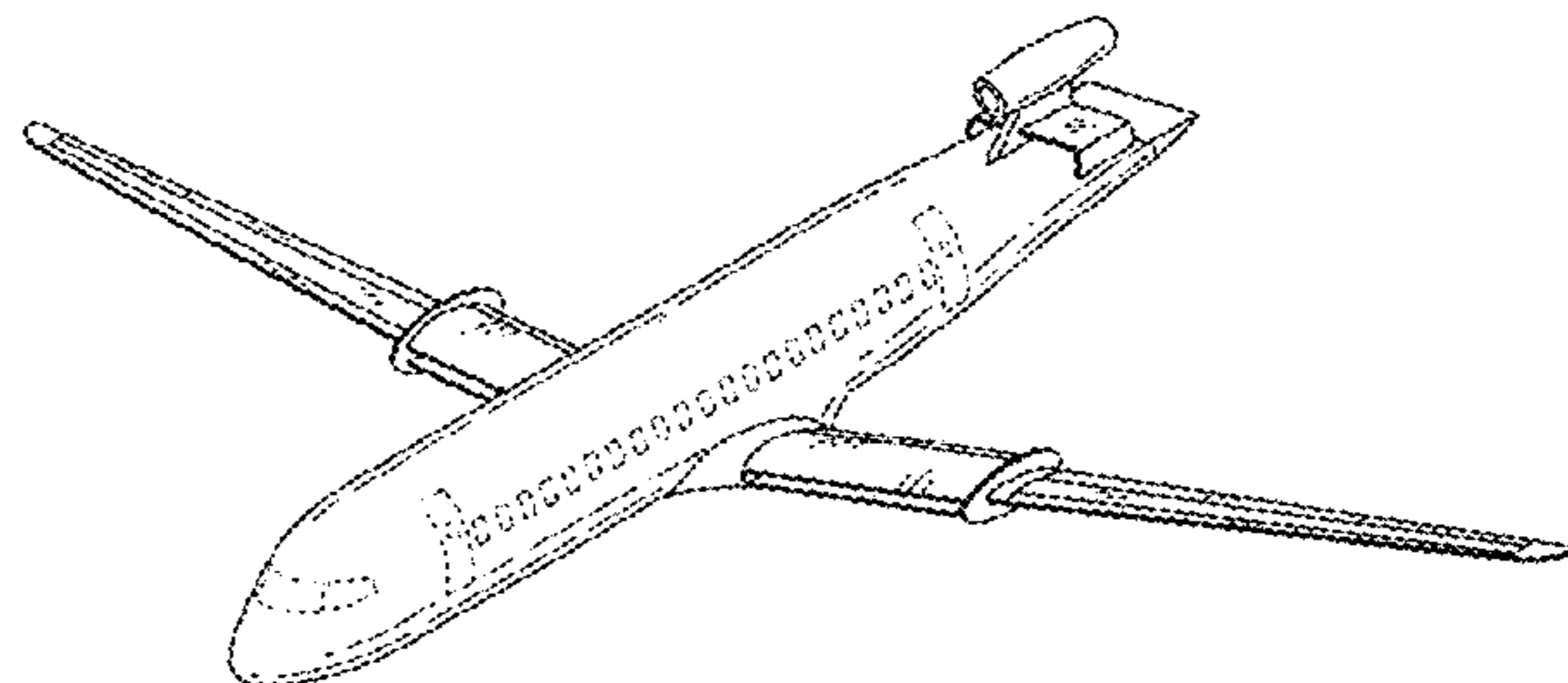
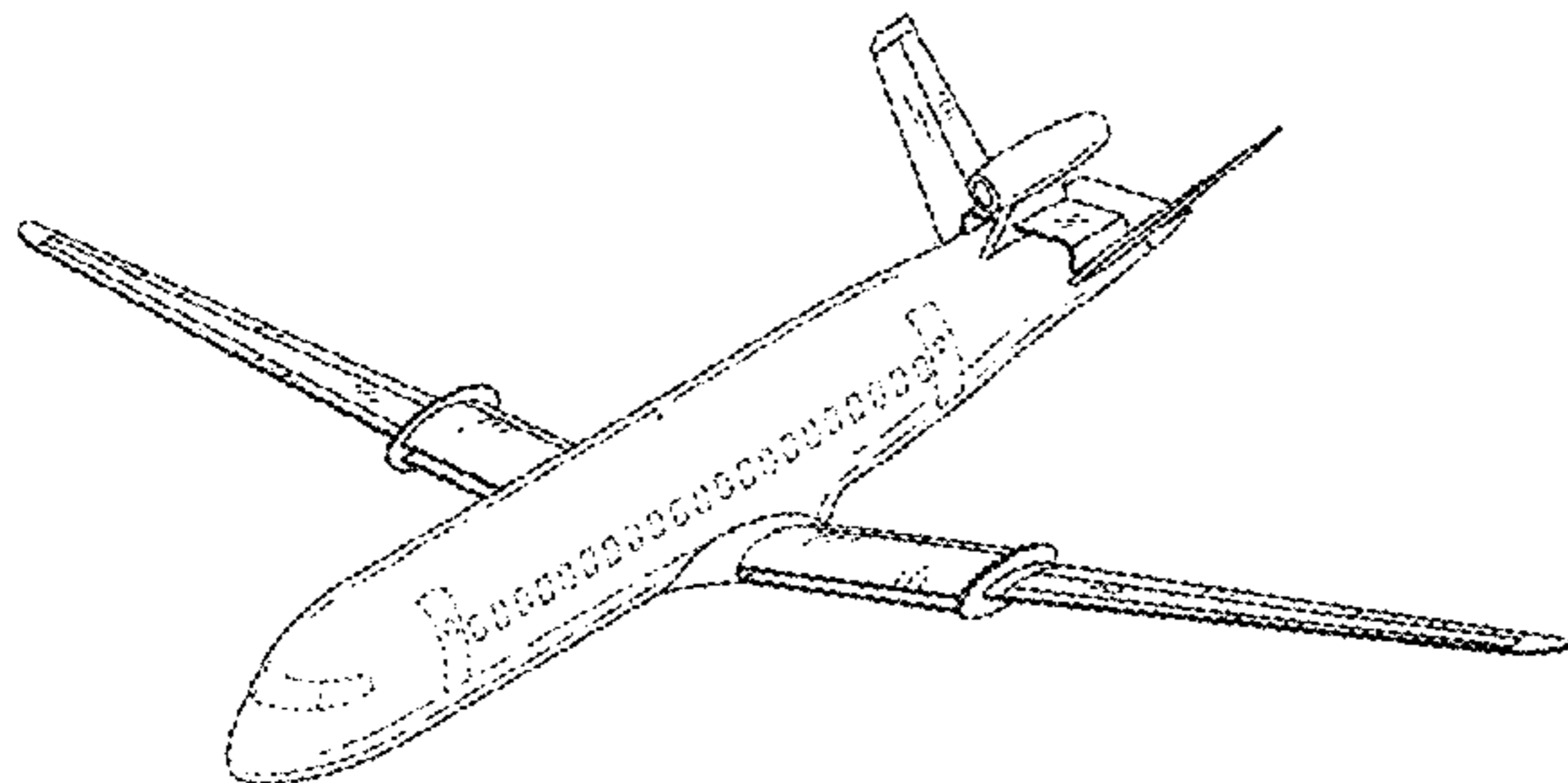
FIG. 1 is a perspective view showing the top, left side and front of an aircraft with slotted inboard wings which forms a first embodiment of my new design;
FIG. 2 is a top plan view thereof;
FIG. 3 is a left side elevational view thereof;
FIG. 4 is a right side elevational view thereof;
FIG. 5 is a bottom plan view thereof;
FIG. 6 is a front elevational view thereof;
FIG. 7 is a rear elevational view thereof;
FIG. 8 is a perspective view showing the top, left side and front of an aircraft with slotted inboard wings which forms an alternate embodiment of my new design;
FIG. 9 is a top plan view thereof;
FIG. 10 is a left side elevational view thereof;
FIG. 11 is a right side elevational view thereof;
FIG. 12 is a bottom plan view thereof;
FIG. 13 is a front elevational view thereof; and,
FIG. 14 is a rear elevational view thereof.
The broken line showing of portions of the aircraft with slotted inboard wings depicts environment and forms no part of the claim.

(56) **References Cited**

U.S. PATENT DOCUMENTS

4,976,396 A * 12/1990 Carlson B64C 1/16
244/119
D394,422 S * 5/1998 Magee D12/326
D573,939 S * 7/2008 Las Heras D12/319
D596,267 S * 7/2009 Colgren D12/319
D621,774 S * 8/2010 Betsch D12/344
D628,528 S * 12/2010 Cabezas Carrasco D12/319
D630,996 S * 1/2011 Gall D12/319
8,313,055 B2 * 11/2012 Gall B64D 27/02
244/1 N
D691,547 S * 10/2013 Hall D12/319
D731,395 S * 6/2015 Ivans D12/345

1 Claim, 8 Drawing Sheets



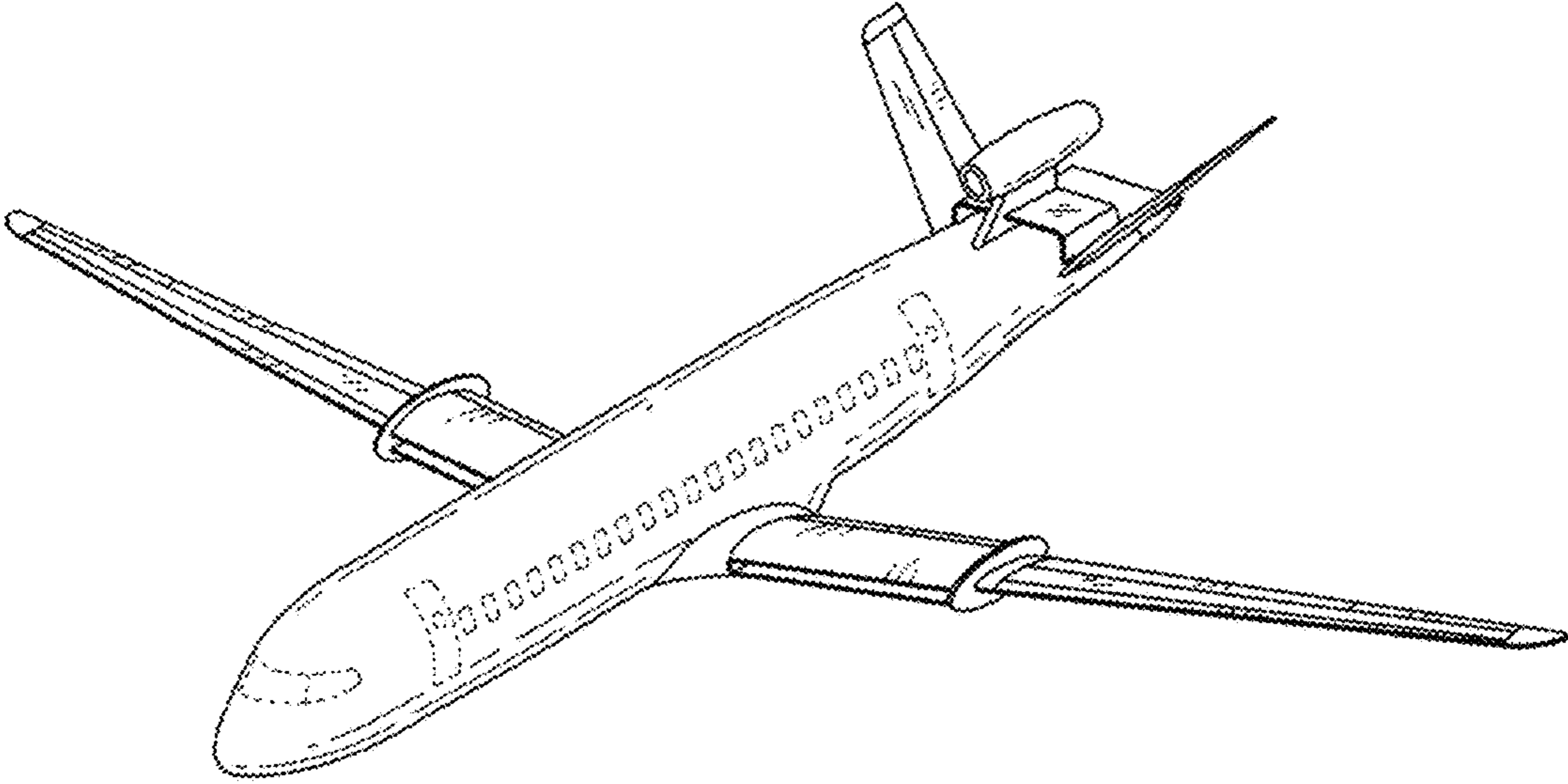


FIG. 1

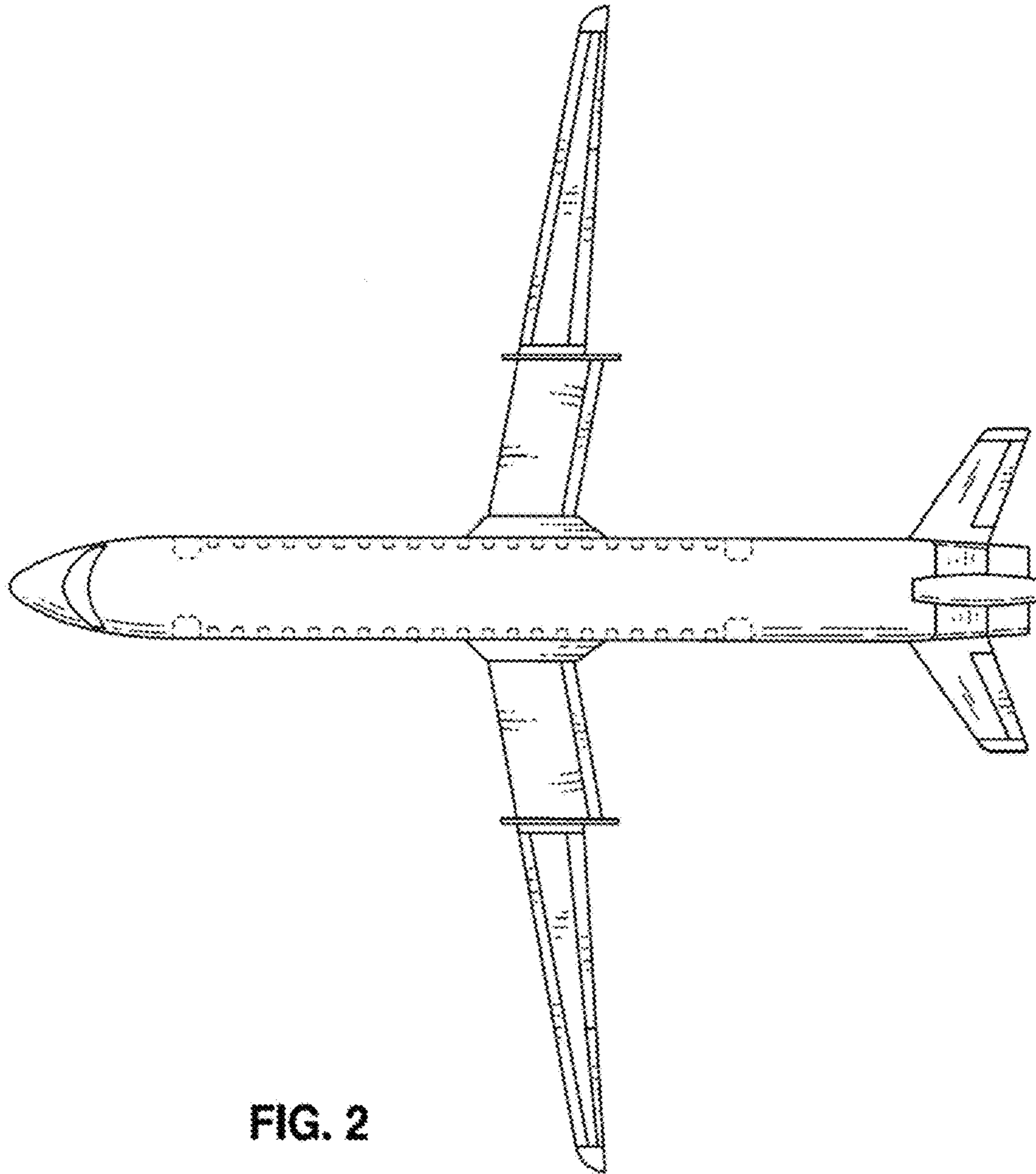


FIG. 2

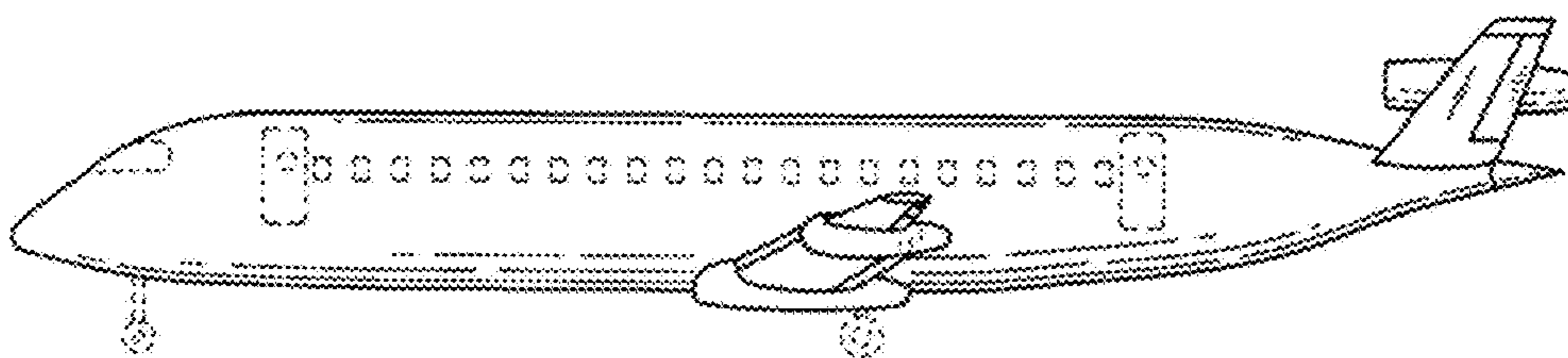


FIG. 3

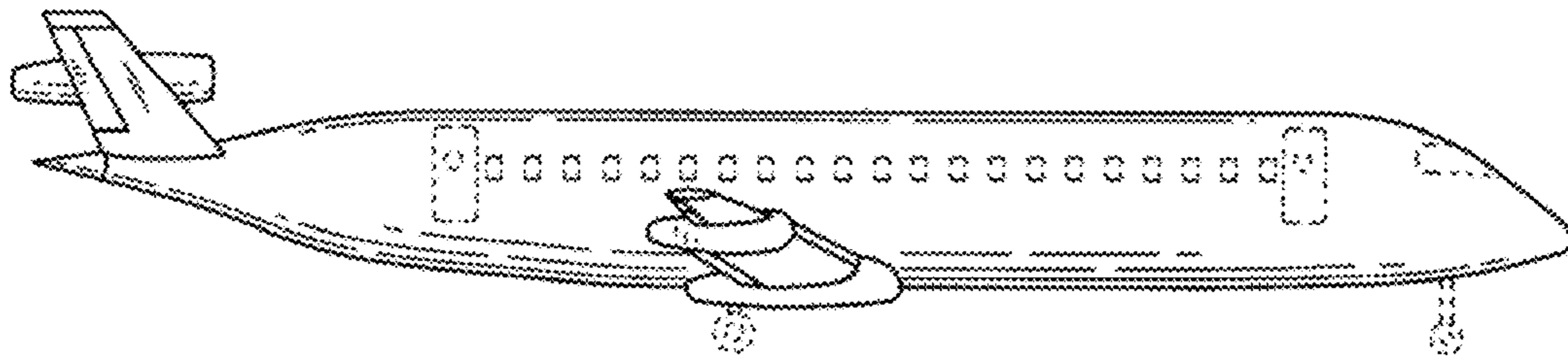


FIG. 4

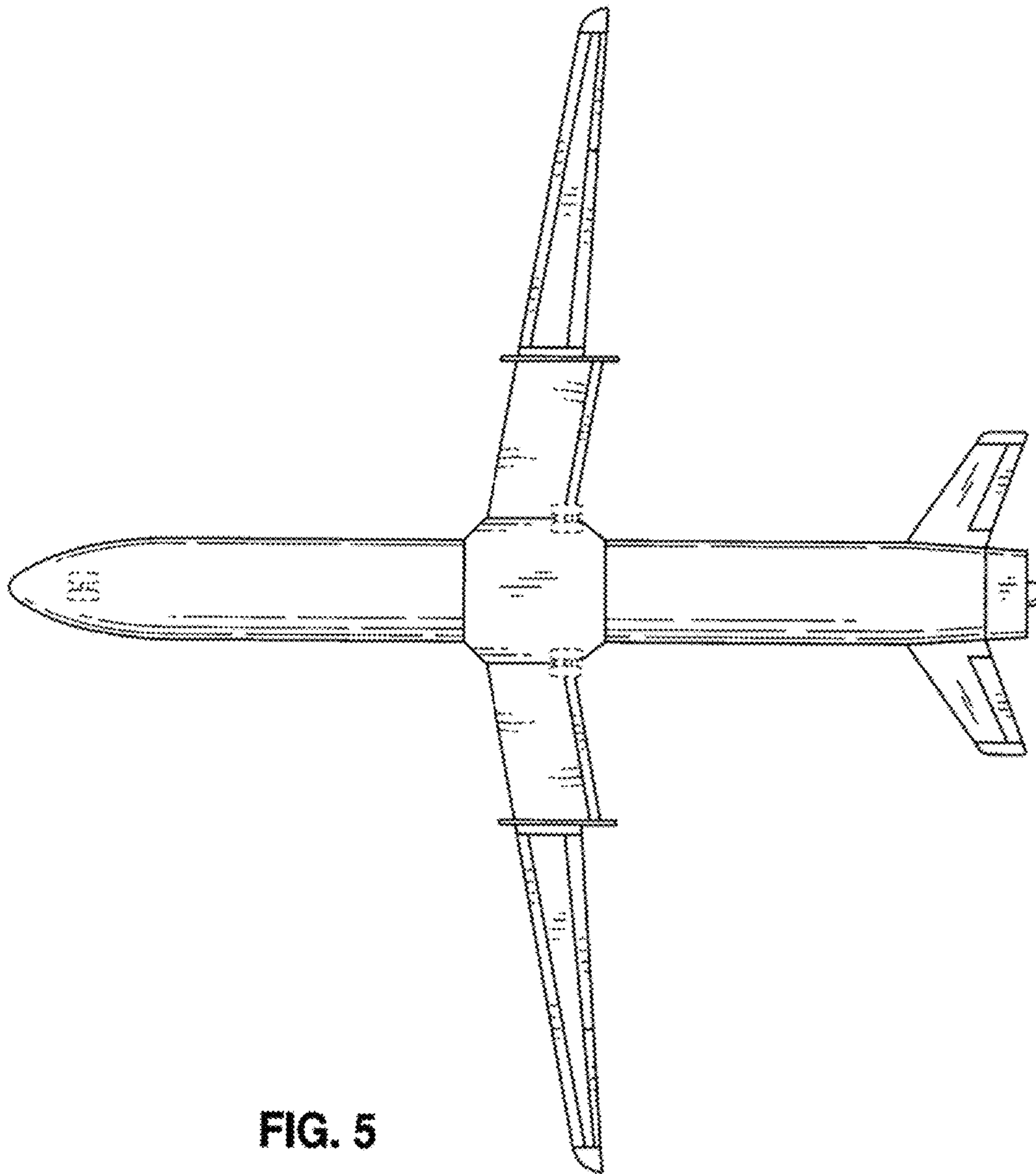


FIG. 5

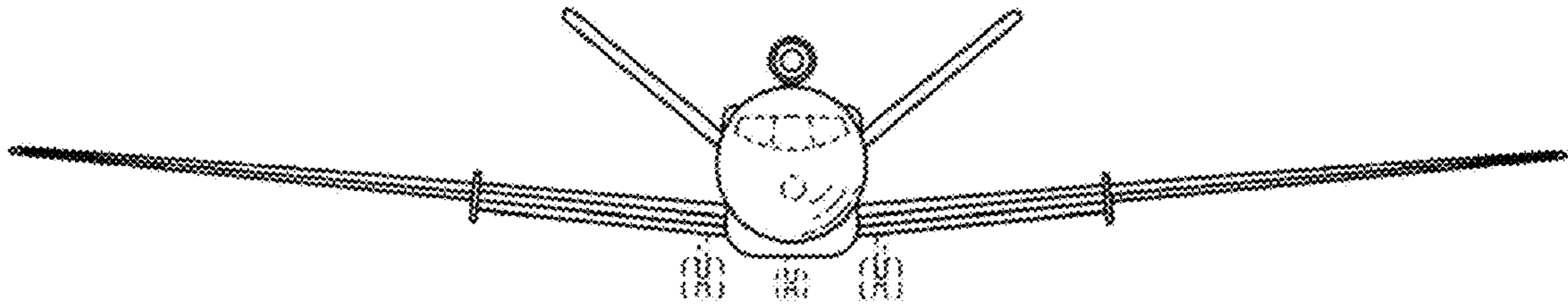


FIG. 6

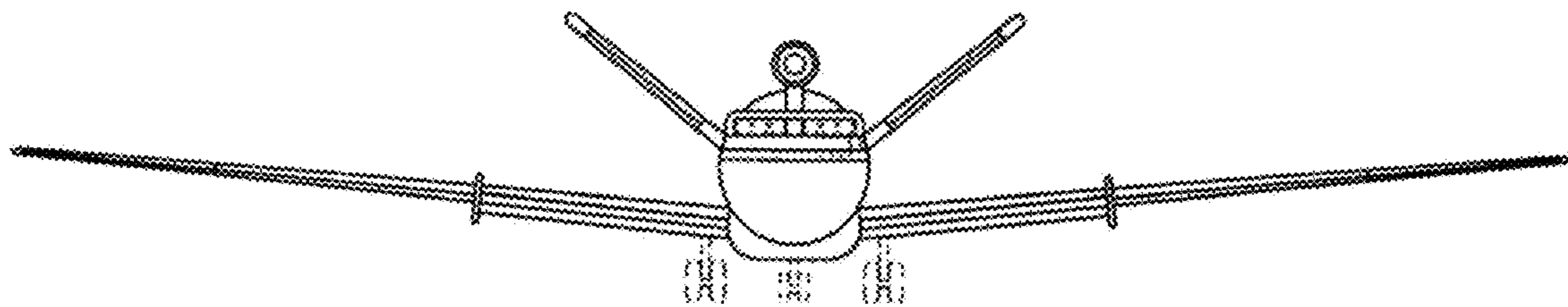


FIG. 7

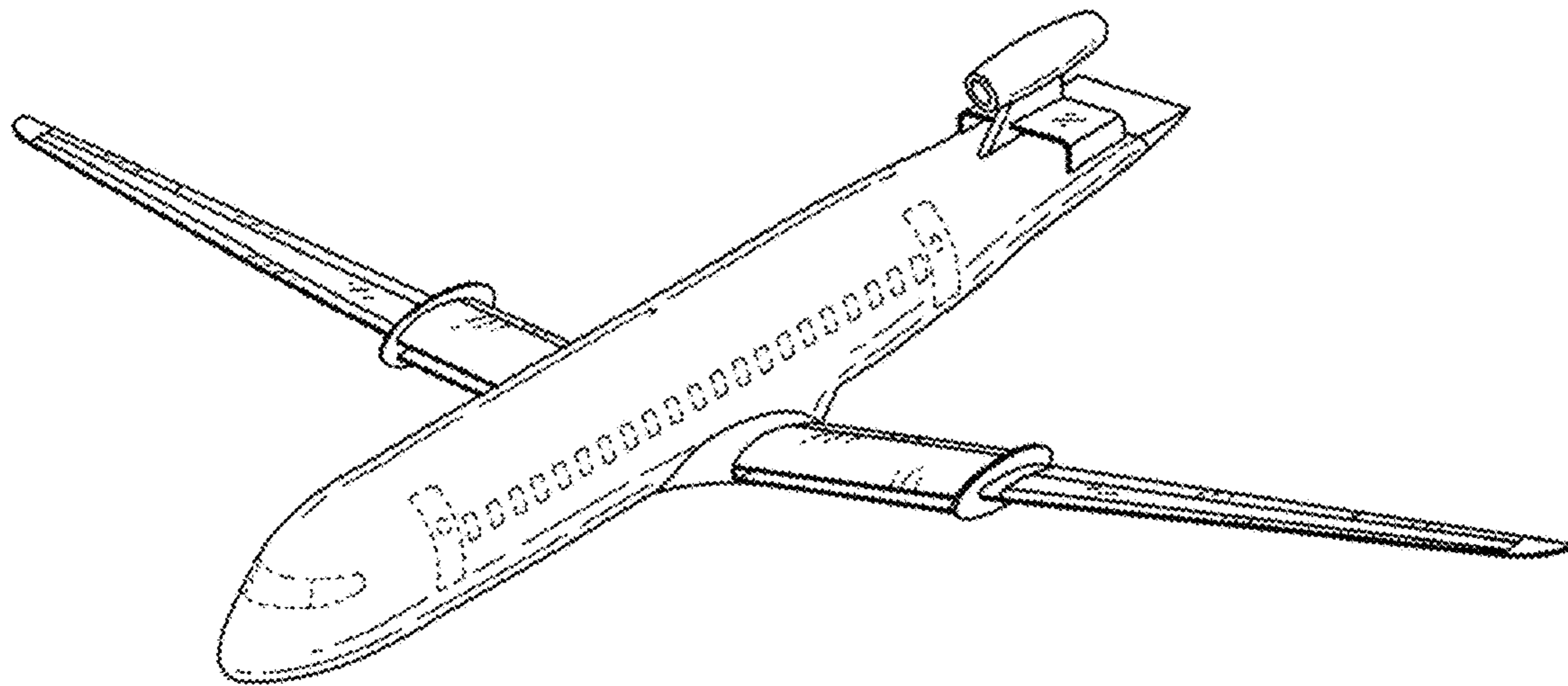


FIG. 8

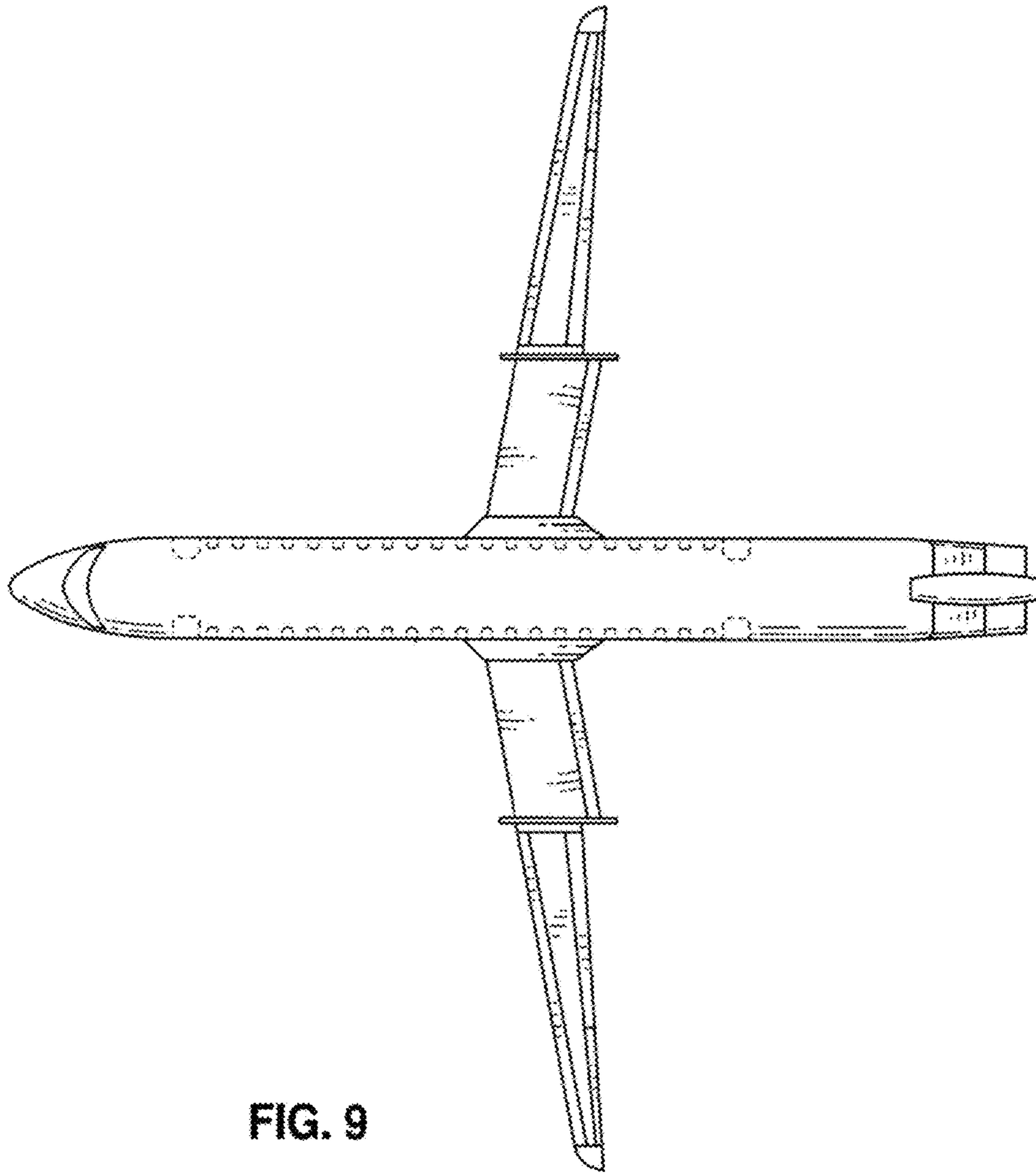


FIG. 9

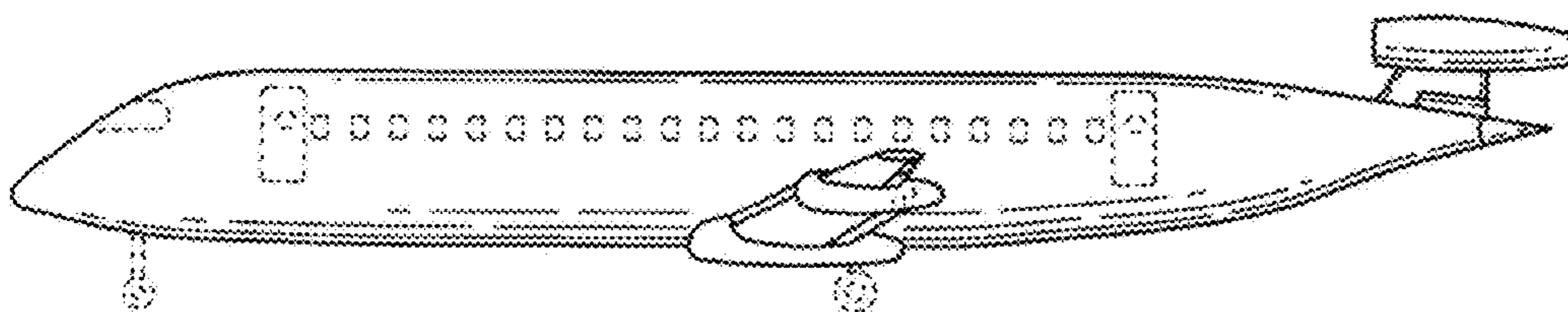


FIG. 10

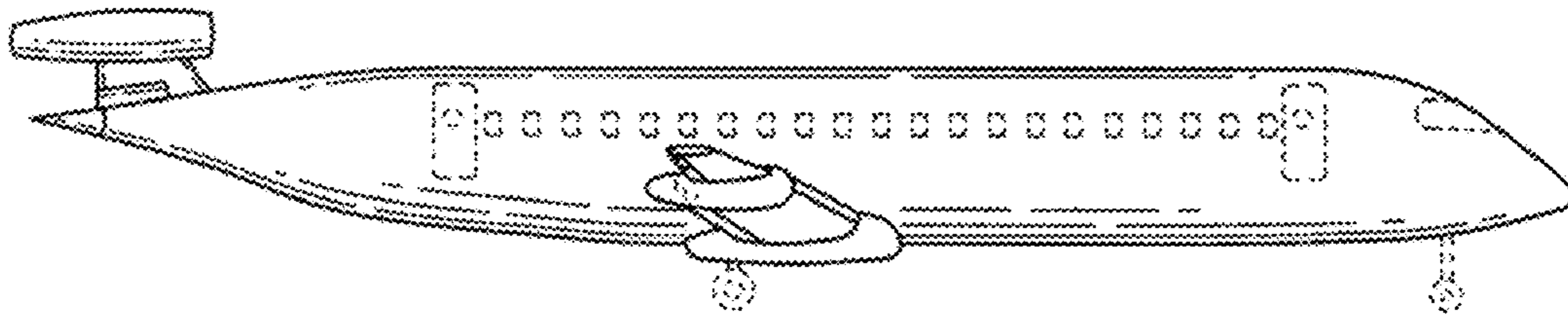


FIG. 11

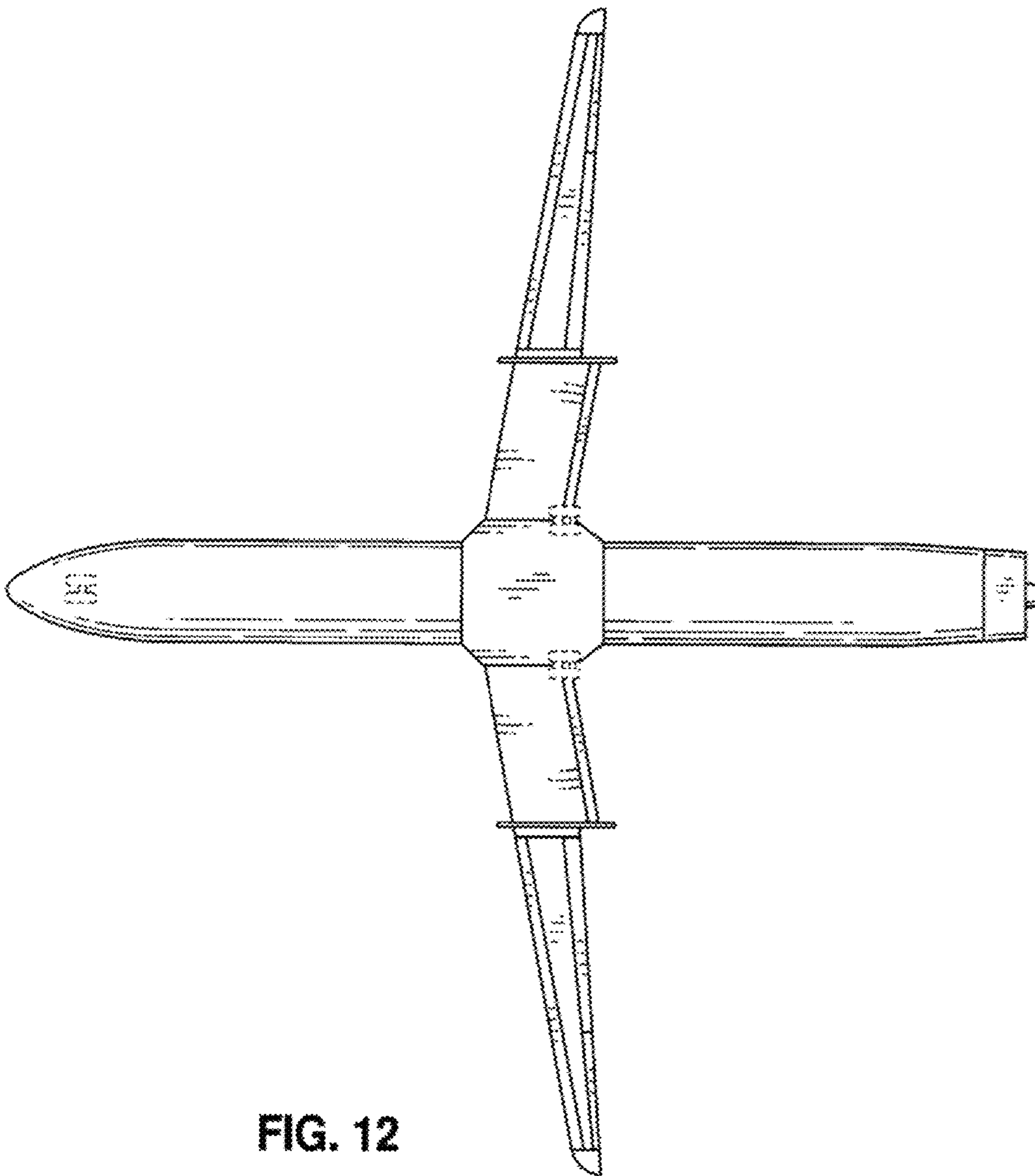


FIG. 12

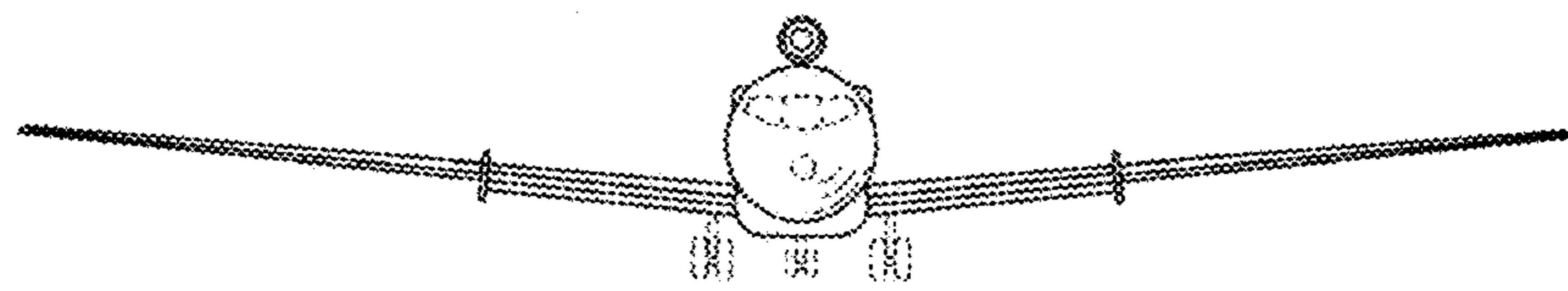


FIG. 13

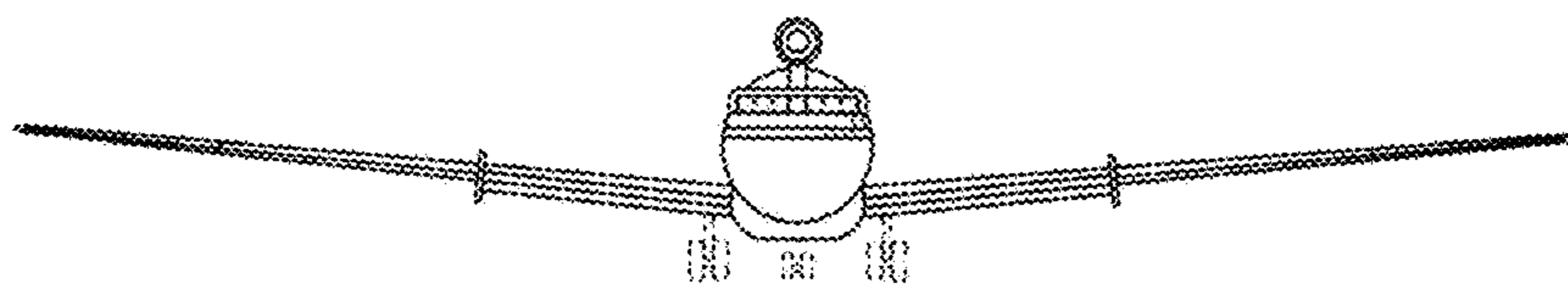


FIG. 14