

US00D797640S

(12) **United States Design Patent** (10) **Patent No.:** **US D797,640 S**  
**Boone, Jr.** (45) **Date of Patent:** **\*\* Sep. 19, 2017**

(54) **BOAT DECK TRACK**

(71) Applicant: **Gary Lee Boone, Jr.**, Mount Pleasant, SC (US)  
(72) Inventor: **Gary Lee Boone, Jr.**, Mount Pleasant, SC (US)

(\*\*) Term: **15 Years**

(21) Appl. No.: **29/564,565**

(22) Filed: **May 13, 2016**

(51) **LOC (10) Cl.** ..... **12-06**

(52) **U.S. Cl.**  
USPC ..... **D12/317**

(58) **Field of Classification Search**  
USPC ..... D12/317, 302-304, 308-310, 318, 2, 3;  
D8/300, 315-316, 319-321;  
D21/805-806, 839-840, 775, 777  
CPC ..... B63B 35/815; B63B 35/7946; B63B 35/7926; B63B 35/7923; B63B 15/00; B63B 3/00; B63B 3/02; B63B 3/09; B63B 3/10; B63B 3/12; B63B 3/13; B63B 3/14; B63B 17/00; B63B 17/02; B63B 25/18; B63B 21/56; B63B 21/66; B63B 21/663; B63B 21/54; B63B 21/045; B63B 21/04; B63B 27/22; B63B 1/248; B63B 1/242; B63B 1/24; B63B 1/28; B63B 1/30; B63B 1/26; B63B 1/04; B63B 2039/063; B63B 2017/026; B63H 20/24; E04H 15/60  
See application file for complete search history.

(56) **References Cited**

**U.S. PATENT DOCUMENTS**

8,511,765 B1 \* 8/2013 Chen ..... A47B 67/04 312/286  
D721,321 S \* 1/2015 Miedema, II ..... D12/317  
D764,377 S \* 8/2016 Ross ..... D12/317  
D765,009 S \* 8/2016 Conrad ..... D12/317  
2002/0175605 A1 \* 11/2002 Chen ..... A47B 88/57 312/333

(Continued)

**FOREIGN PATENT DOCUMENTS**

CN 201820881 U \* 5/2011  
KR 2016001598 U \* 5/2016

**OTHER PUBLICATIONS**

Jib and Staysail tracks, posted at Svyohelah.com, no posting date given, site visited May 11, 2016, <<http://www.svyohelah.com/TheBoat/Misc/schaeffertrack.html>>.\*

*Primary Examiner* — Barbara Fox  
*Assistant Examiner* — Messina L Smith

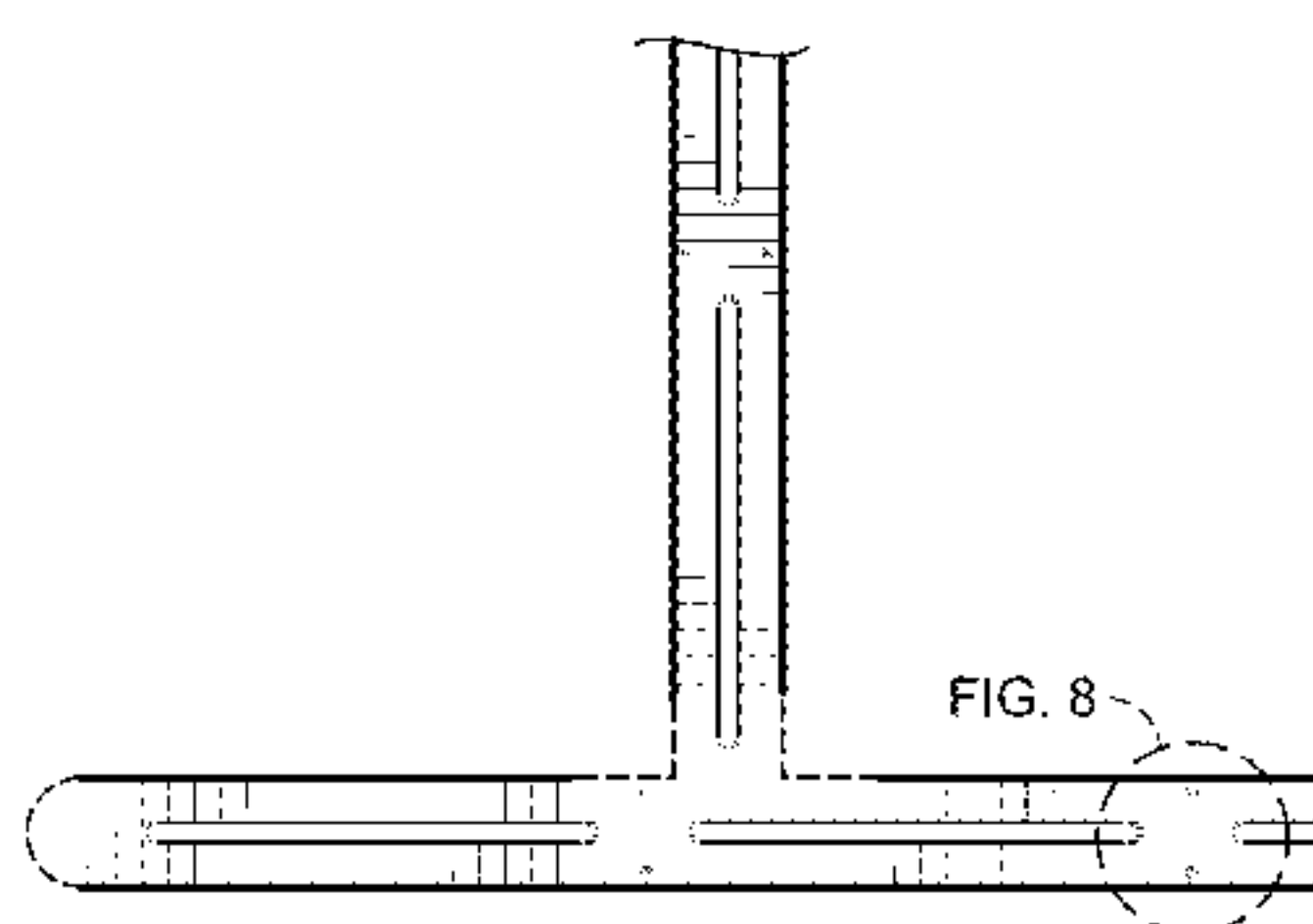
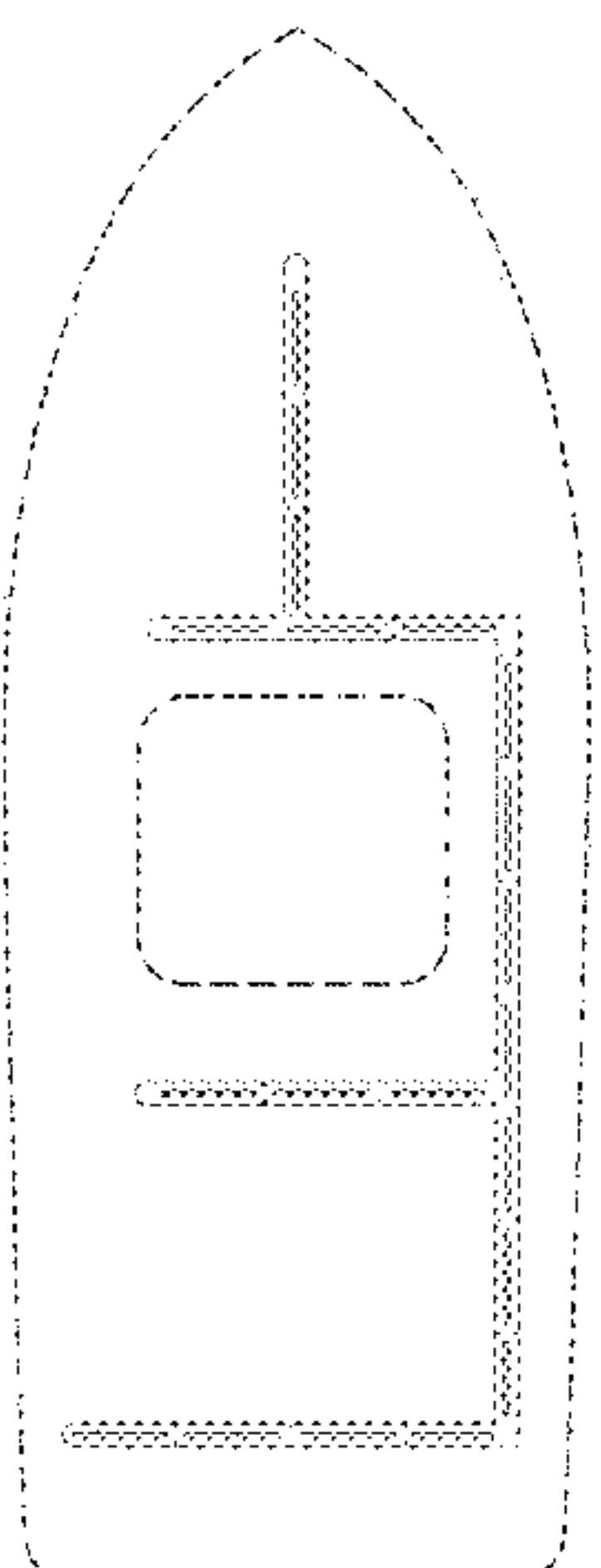
(57) **CLAIM**

The ornamental design for a boat deck track, as shown.

**DESCRIPTION**

FIG. 1 is a front elevation view of a boat deck track showing the new design;  
FIG. 2 is a right side elevation view thereof;  
FIG. 3 is a left side elevation view thereof;  
FIG. 4 is a front elevation view thereof;  
FIG. 5 is an enlarged front elevation view of a portion of the boat deck track shown in FIG. 4;  
FIG. 6 is an enlarged left side elevation view of a portion of the boat deck track shown in FIG. 3;  
FIG. 7 is an enlarged cross-sectional view of a portion of the boat deck track taken in the direction of line 7-7 of FIG. 4;  
FIG. 8 is an enlarged front elevation view of a portion of the boat deck track shown in FIG. 5; and,  
FIG. 9 is an enlarged cross-sectional view of a portion of the boat deck track taken in the direction of line 9-9 of FIG. 4. The broken line showing of the boat in FIGS. 1 and 2 illustrates environment and forms no part of the claimed design. All other broken lines illustrate portions of the boat deck track that form no part of the claimed design.

**1 Claim, 3 Drawing Sheets**



(56)

**References Cited**

U.S. PATENT DOCUMENTS

2004/0227438 A1\* 11/2004 Tseng ..... A47B 88/467  
312/333  
2014/0084231 A1\* 3/2014 Yamamoto ..... E01F 13/00  
256/59  
2014/0367545 A1\* 12/2014 Fenton ..... A61G 3/0808  
248/503.1  
2015/0097046 A1\* 4/2015 Lee ..... A63H 18/02  
238/151  
2015/0159684 A1\* 6/2015 Leone ..... B60P 7/0815  
403/408.1  
2015/0159840 A1\* 6/2015 Liu ..... F21V 21/35  
362/648  
2015/0284956 A1\* 10/2015 Bollman ..... E04C 3/29  
248/121  
2016/0101507 A1\* 4/2016 Grady ..... B25B 21/002  
362/120  
2016/0144746 A1\* 5/2016 Couasnon ..... B60N 2/0705  
384/34  
2016/0184723 A1\* 6/2016 Schwartz ..... A63H 19/30  
238/10 F  
2016/0215494 A1\* 7/2016 Pilz ..... E04B 2/02  
2016/0319593 A1\* 11/2016 Dwarka ..... E06B 9/40  
2017/0009525 A1\* 1/2017 McDaniel ..... E06B 11/00  
2017/0057557 A1\* 3/2017 Moberg ..... B60P 7/15

\* cited by examiner

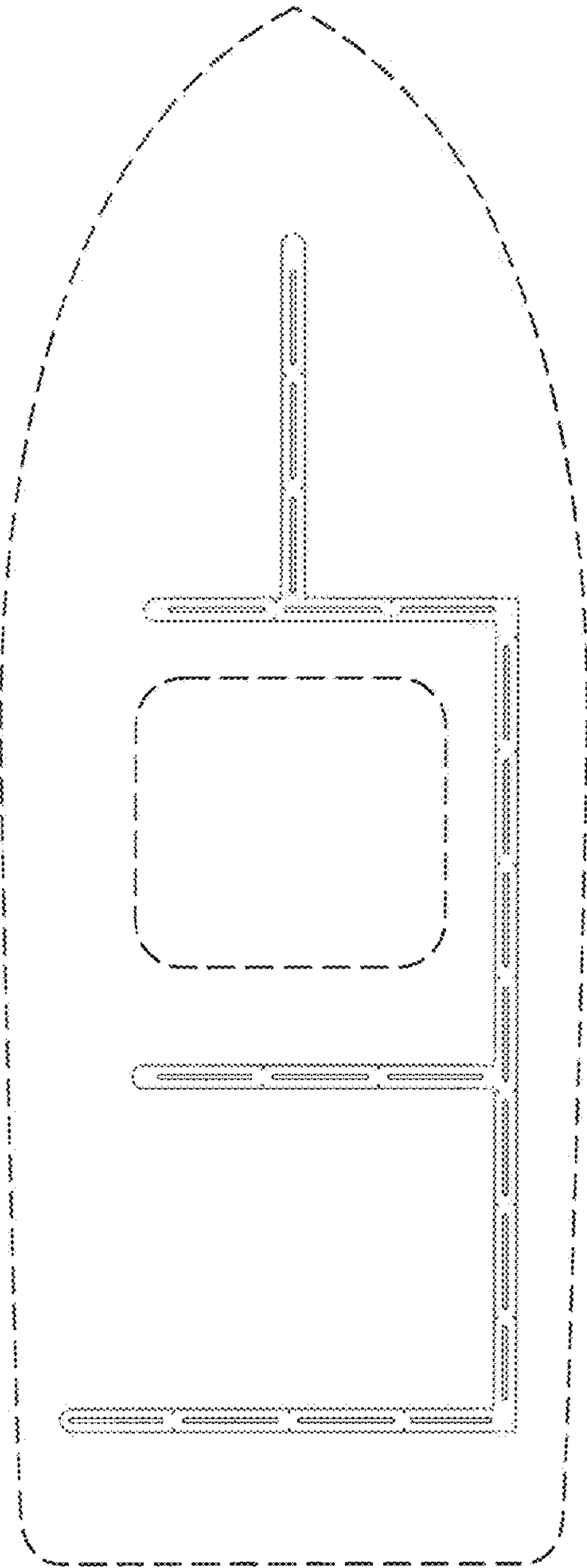


FIG. 1

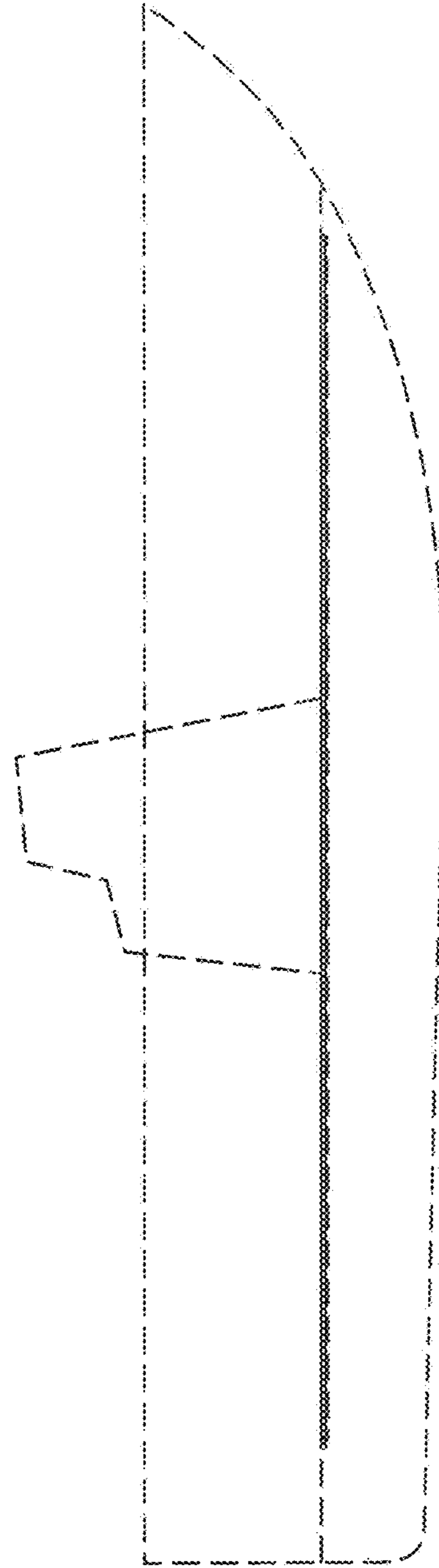
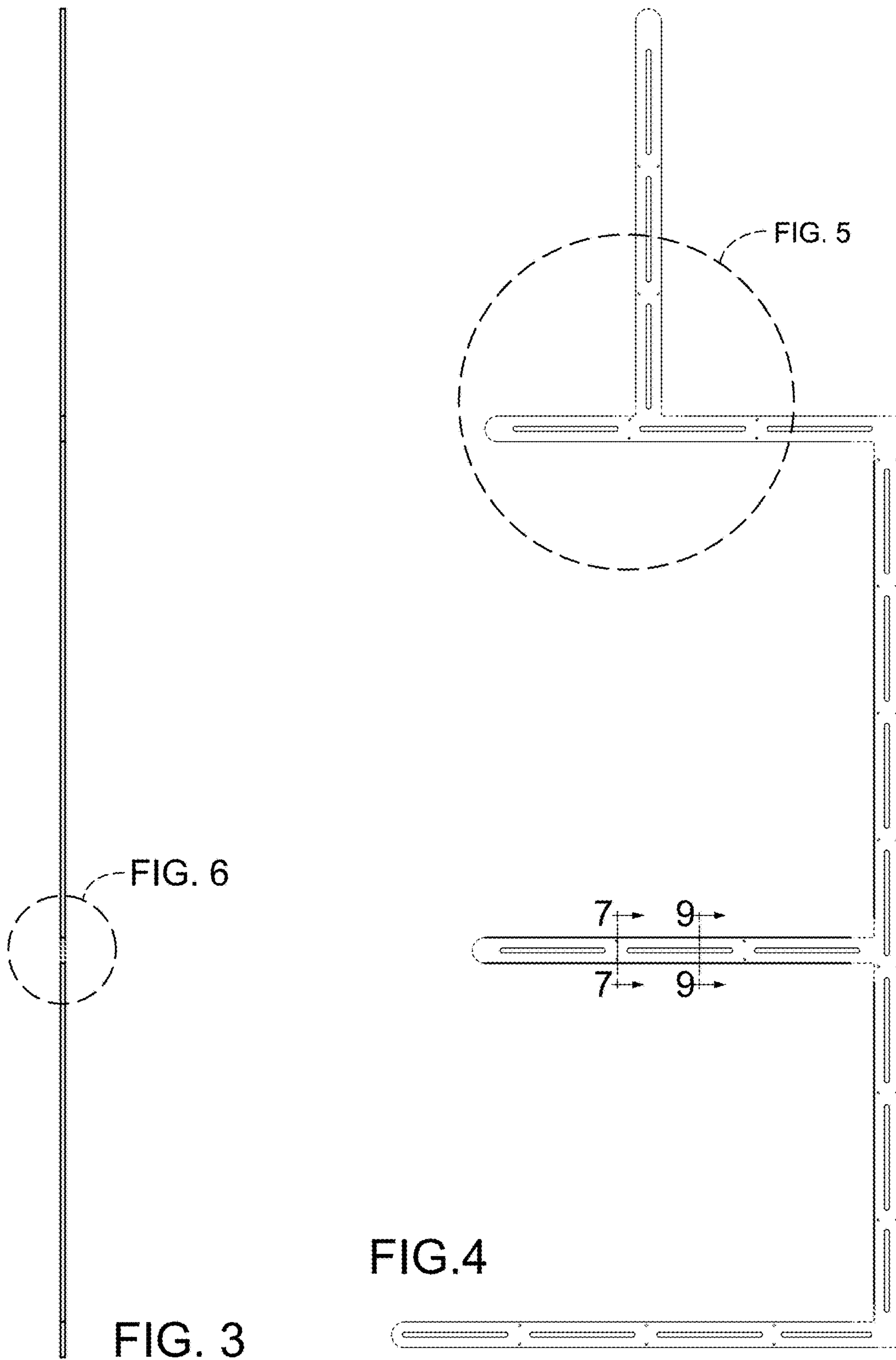


FIG. 2



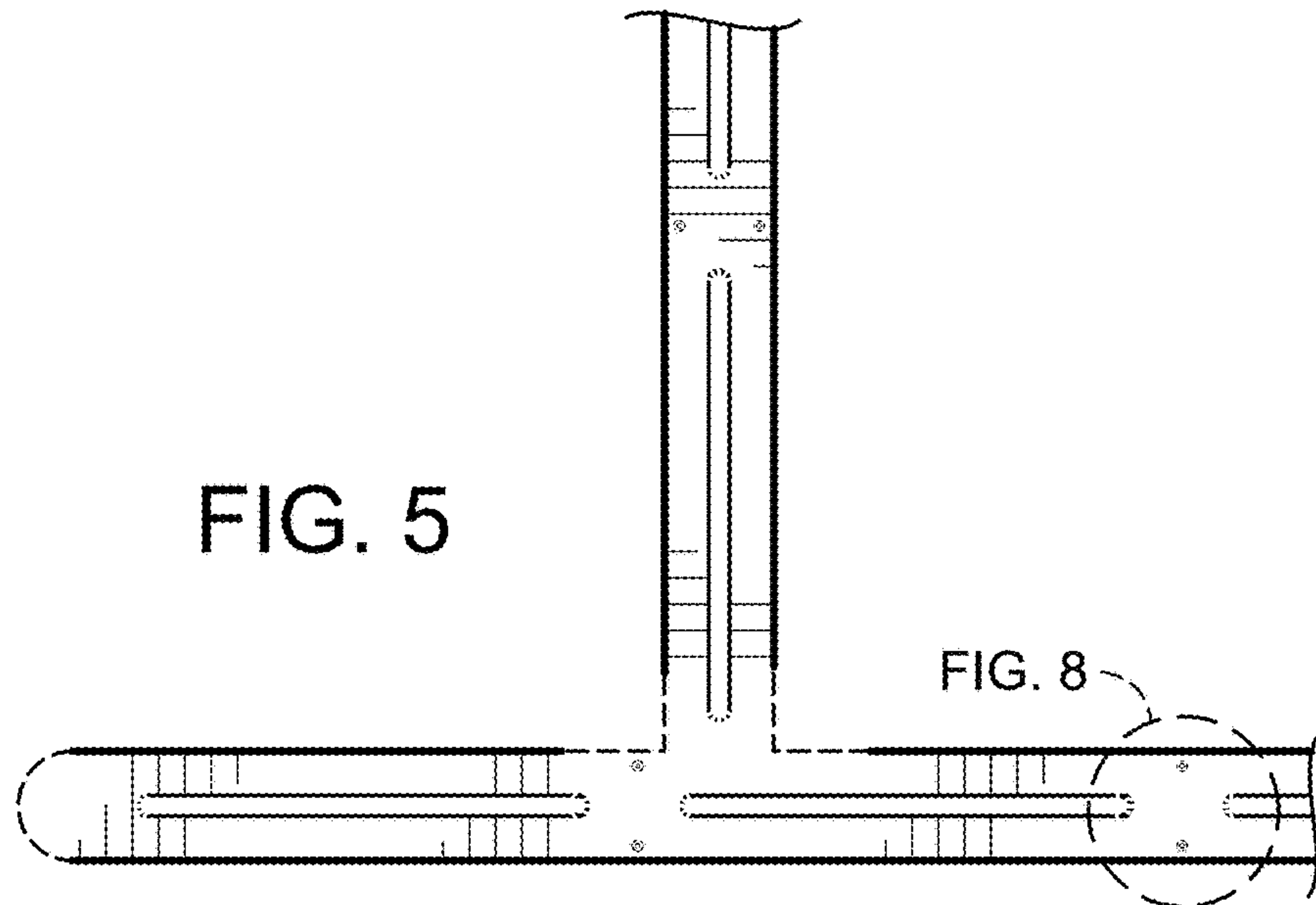


FIG. 5

FIG. 8

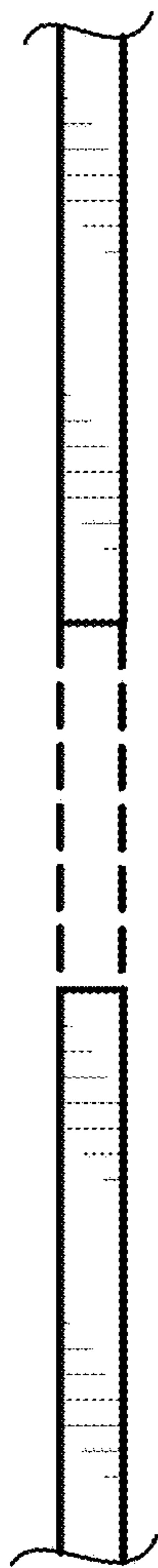


FIG. 6



FIG. 7

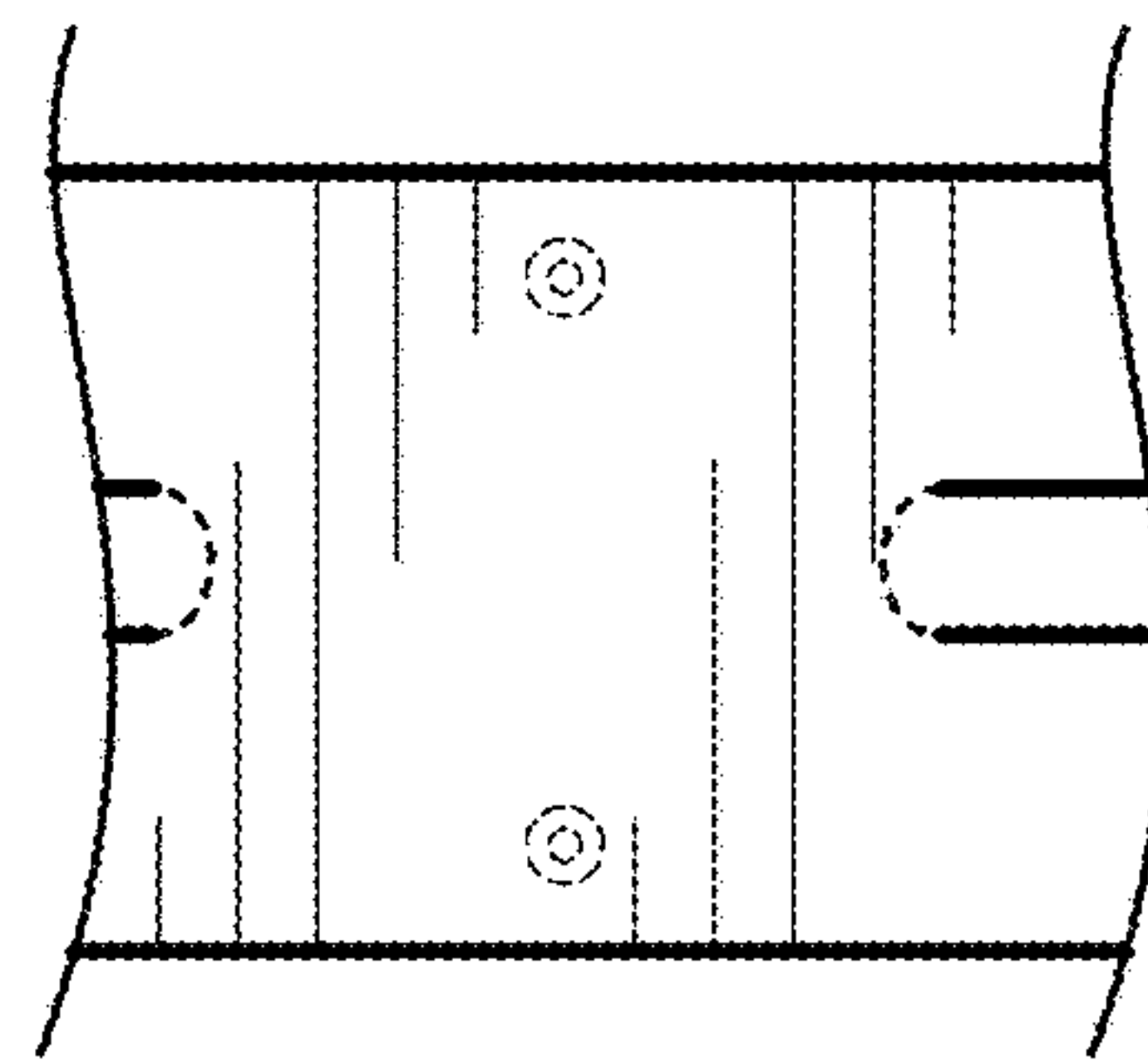


FIG. 8



FIG. 9