



US00D797637S

(12) **United States Design Patent**
Wolff et al.

(10) **Patent No.:** **US D797,637 S**

(45) **Date of Patent:** **** Sep. 19, 2017**

(54) **VEHICLE WHEEL**

(71) Applicant: **Ford Global Technologies, LLC**,
Dearborn, MI (US)

(72) Inventors: **Max Wolff**, Birmingham, MI (US);
Solomon Song, Farmington Hills, MI
(US); **Mark Kaski**, Royal Oak, MI
(US)

(73) Assignee: **Ford Global Technologies, LLC**,
Dearborn, MI (US)

(**) Term: **15 Years**

(21) Appl. No.: **29/544,858**

(22) Filed: **Nov. 6, 2015**

(51) **LOC (10) Cl.** **12-16**

(52) **U.S. Cl.**
USPC **D12/211**

(58) **Field of Classification Search**
USPC D12/204–213
CPC B60B 7/00; B60B 7/01; B60B 7/02; B60B
7/04; B60B 7/06; B60B 3/02; B60B 3/04;
B60B 3/06; B60B 3/10; B60B 1/00;
B60B 1/08; B60B 1/10; B60B 1/12

See application file for complete search history.

(56) **References Cited**

U.S. PATENT DOCUMENTS

D421,953 S * 3/2000 Sims D12/211
D499,686 S * 12/2004 Song D12/211
D516,489 S * 3/2006 Alonso D12/211
D526,947 S * 8/2006 Kim D12/209
D541,724 S * 5/2007 Gallert D12/211

D560,588 S * 1/2008 Cheng D12/209
D583,742 S * 12/2008 Juergens D12/211
D593,922 S * 6/2009 Blasi D12/211
D596,552 S * 7/2009 Beermann D12/211
D673,103 S 12/2012 Song et al.
D713,316 S 9/2014 Song et al.
D718,206 S 11/2014 Song et al.
D718,207 S * 11/2014 Grake D12/211
D721,316 S * 1/2015 Amezketa D12/209
D731,388 S * 6/2015 Gotschke D12/211
D736,131 S * 8/2015 Mahoney D12/209
D748,032 S * 1/2016 Peplowski D12/209
D756,882 S * 5/2016 Tirado D12/211
2009/0127920 A1 * 5/2009 Takeda B60B 7/0053
301/37.41

OTHER PUBLICATIONS

<http://www.fordinsideneews.com> 2017 Lincoln MKZ on the streets,
dated Apr. 15, 2015.

[http://www.caranddriver.com/news/2017-lincoln-mkz-spy-photos-](http://www.caranddriver.com/news/2017-lincoln-mkz-spy-photos-news)
news by: Alexander Stoklosa dated May 2015.

* cited by examiner

Primary Examiner — Sandra Snapp

Assistant Examiner — Katherine Glennon

(74) *Attorney, Agent, or Firm* — LeClairRyan

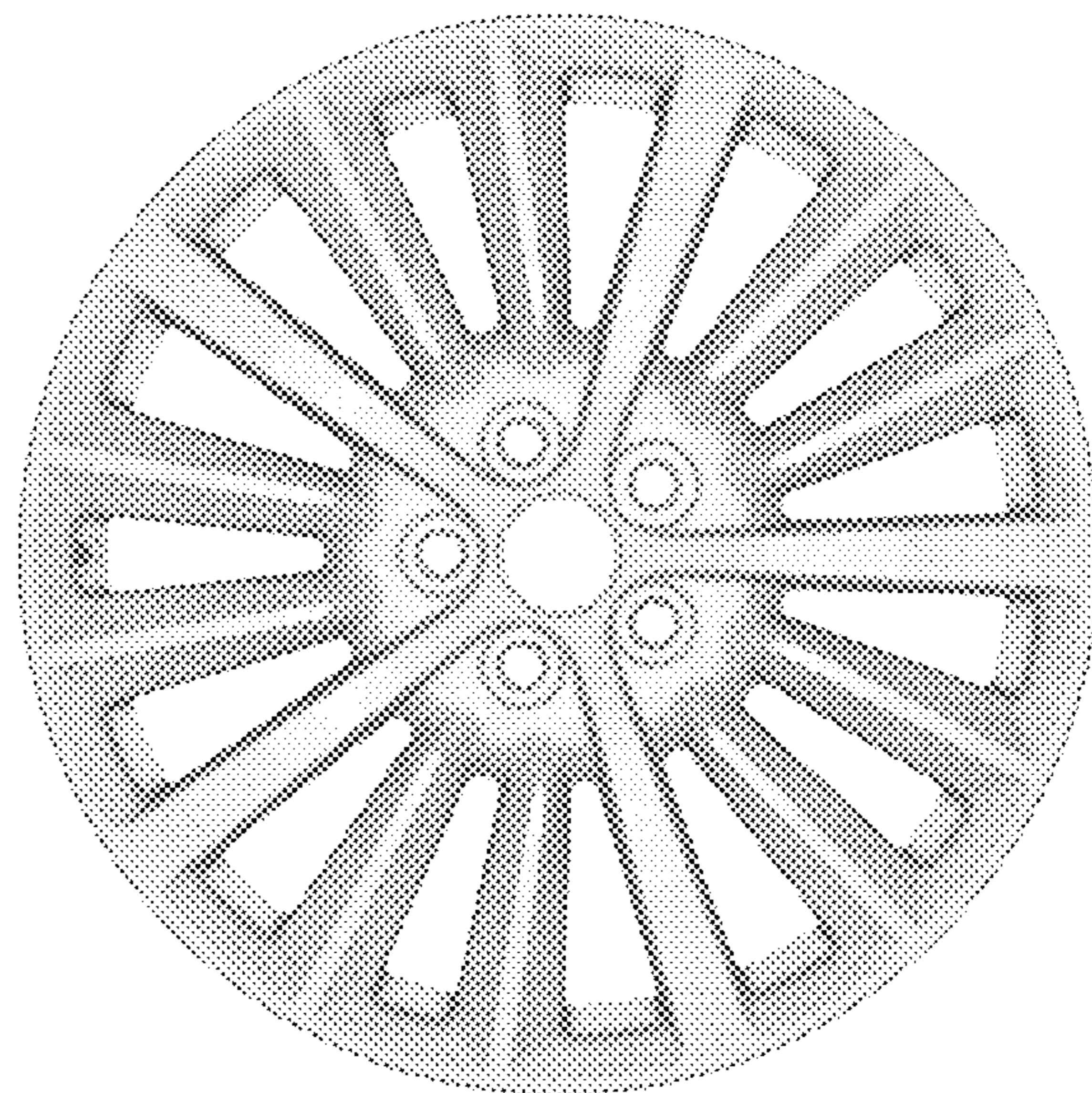
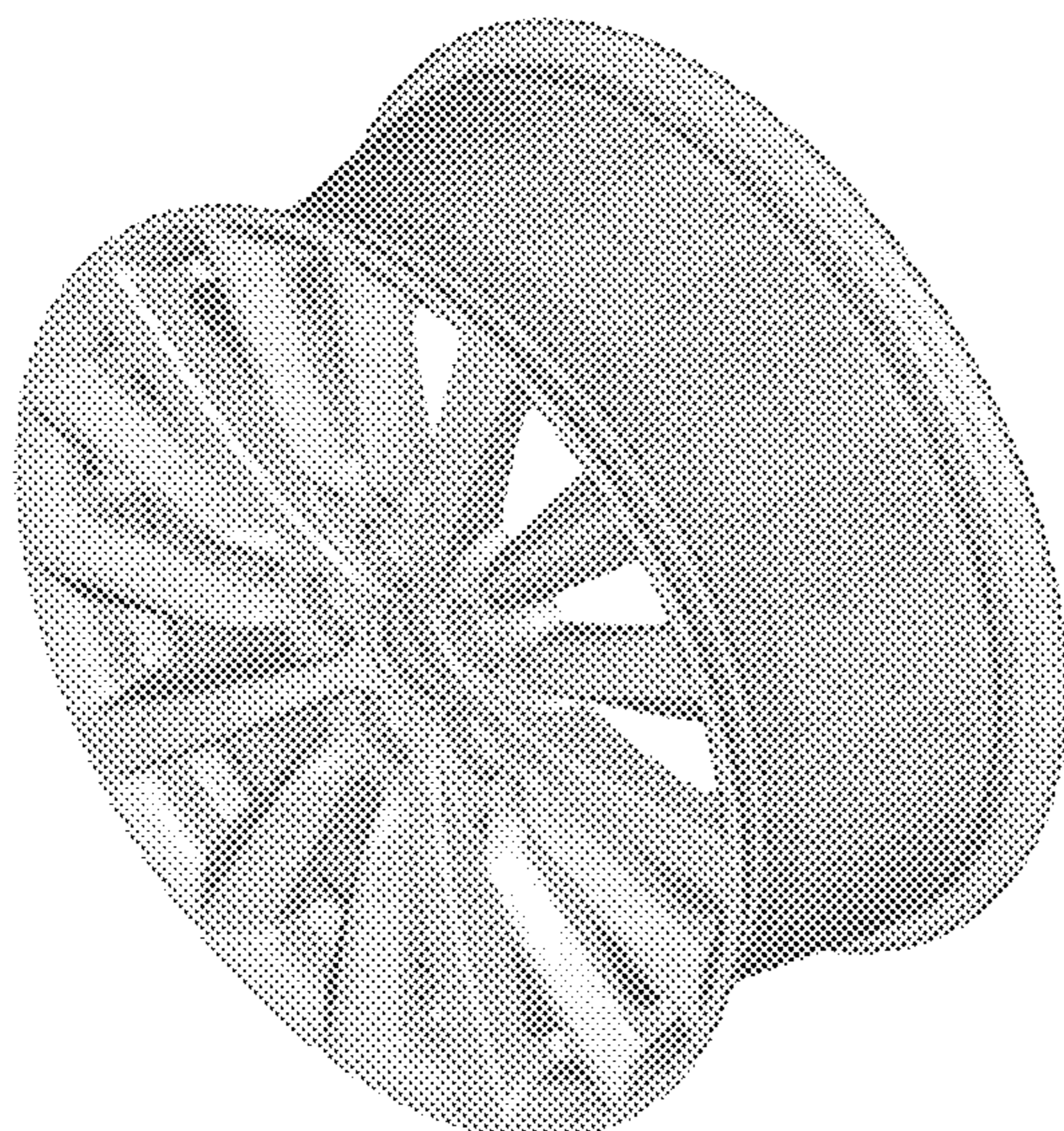
(57) **CLAIM**

The ornamental design for a vehicle wheel, as shown and
described.

DESCRIPTION

FIG. 1 is a top perspective view of a vehicle wheel showing
our new design; and,
FIG. 2 is a front elevational view thereof.

1 Claim, 2 Drawing Sheets



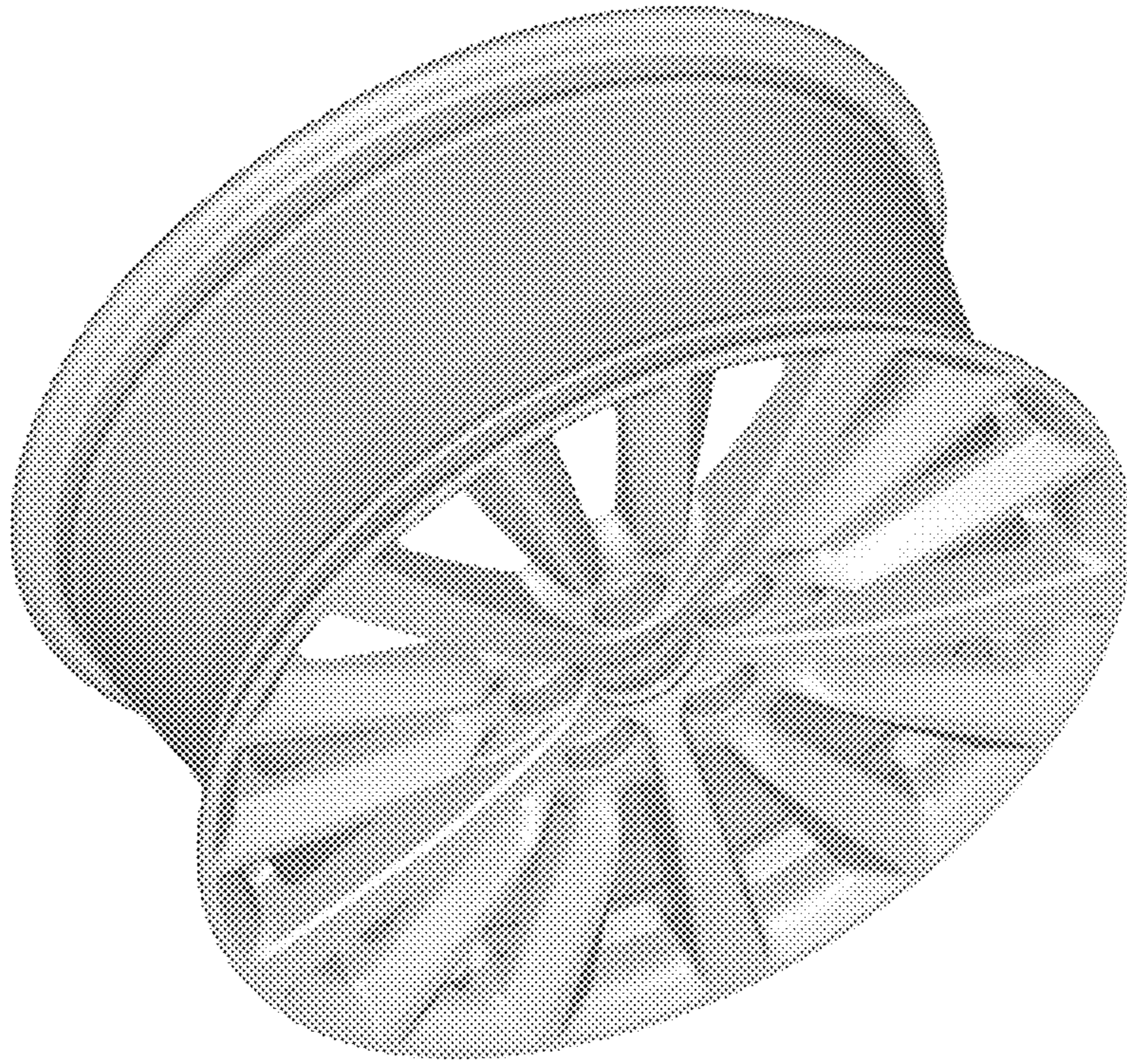


Figure 1

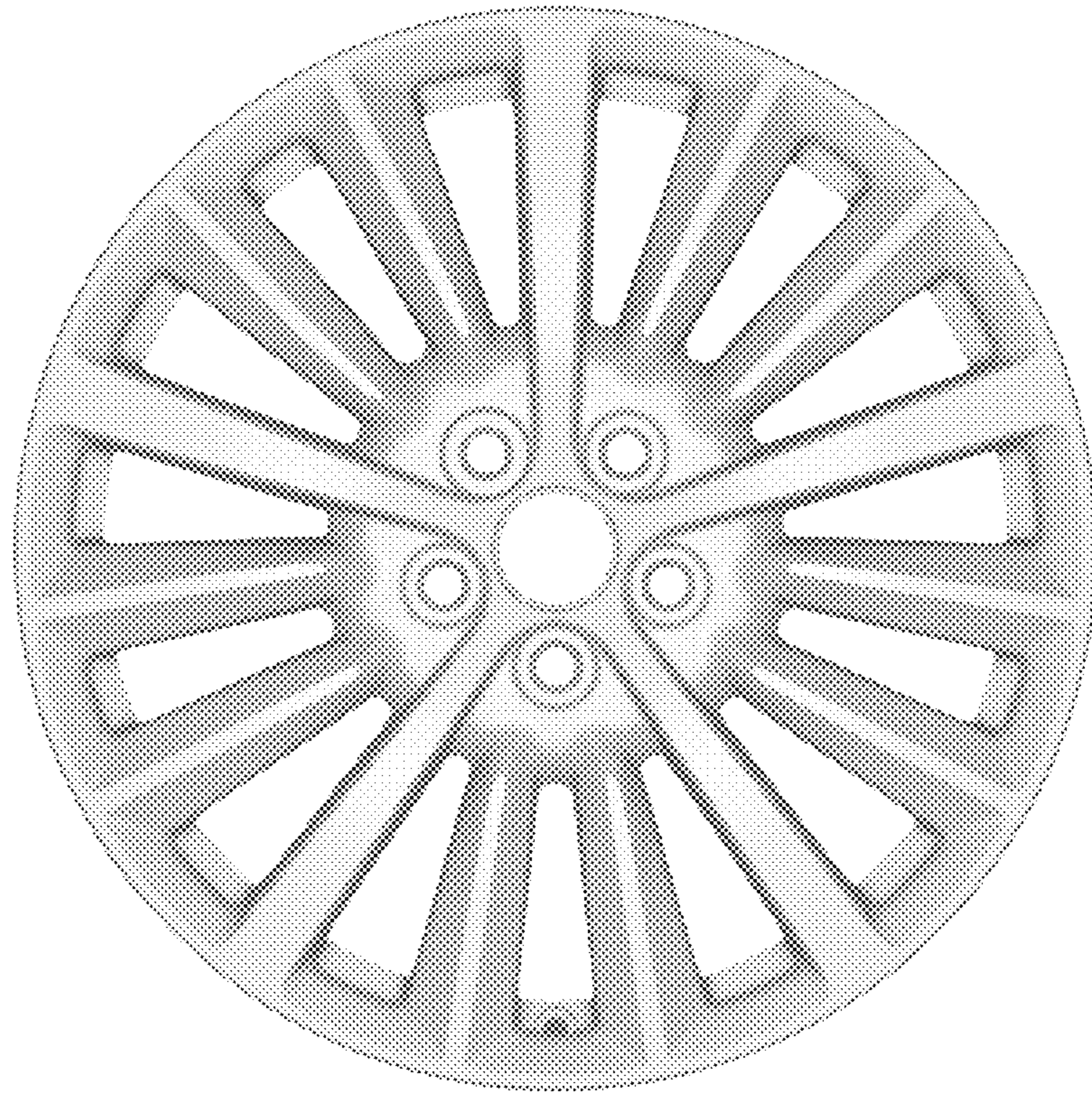


Figure 2