



US00D797636S

(12) **United States Design Patent**  
**Chung**

(10) **Patent No.:** **US D797,636 S**

(45) **Date of Patent:** **\*\* Sep. 19, 2017**

(54) **AUTOMOTIVE WHEEL**

(71) Applicant: **Suny Chung**, Anaheim, CA (US)

(72) Inventor: **Suny Chung**, Anaheim, CA (US)

(\*\*) Term: **15 Years**

(21) Appl. No.: **29/536,692**

(22) Filed: **Aug. 19, 2015**

(51) **LOC (10) Cl.** ..... **12-16**

(52) **U.S. Cl.**  
USPC ..... **D12/211**

(58) **Field of Classification Search**  
USPC ..... D12/204-213  
CPC .... B60B 7/00; B60B 7/02; B60B 7/04; B60B 7/01; B60B 7/06; B60B 3/02; B60B 3/04; B60B 3/06; B60B 3/10; B60B 1/00; B60B 1/08; B60B 1/10; B60B 1/12  
See application file for complete search history.

(56) **References Cited**

**U.S. PATENT DOCUMENTS**

D456,332 S \* 4/2002 Vian ..... D12/211  
D487,420 S \* 3/2004 Kang ..... D12/211

D504,101 S \* 4/2005 Pfeiffer ..... D12/211  
D522,950 S \* 6/2006 Pfeiffer ..... D12/211  
D543,922 S \* 6/2007 Young ..... D12/209  
D552,524 S \* 10/2007 Tirado ..... D12/209  
D595,202 S \* 6/2009 Spoerle ..... D12/211  
D617,720 S \* 6/2010 Zhao ..... D12/211  
D633,840 S \* 3/2011 Johnson ..... D12/209  
D638,765 S \* 5/2011 Yoon ..... D12/211  
D655,231 S \* 3/2012 Zhao ..... D12/209  
D657,297 S \* 4/2012 Johnson ..... D12/211  
D660,765 S \* 5/2012 Gotschke ..... D12/209  
D706,192 S \* 6/2014 Chung ..... D12/209  
D726,629 S \* 4/2015 Guidry ..... D12/211  
D751,481 S \* 3/2016 Chung ..... D12/209

\* cited by examiner

*Primary Examiner* — Stacia Cadmus

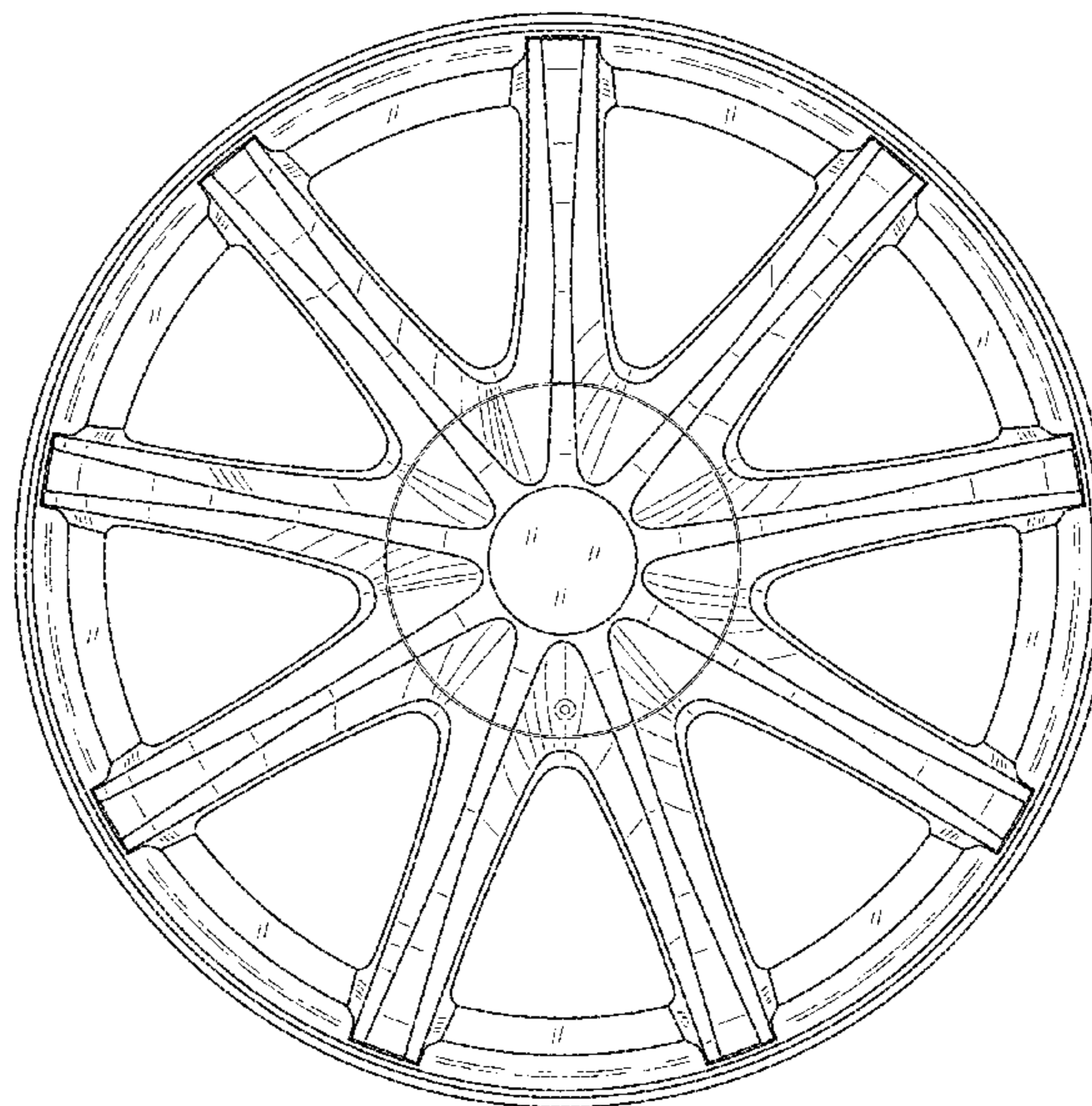
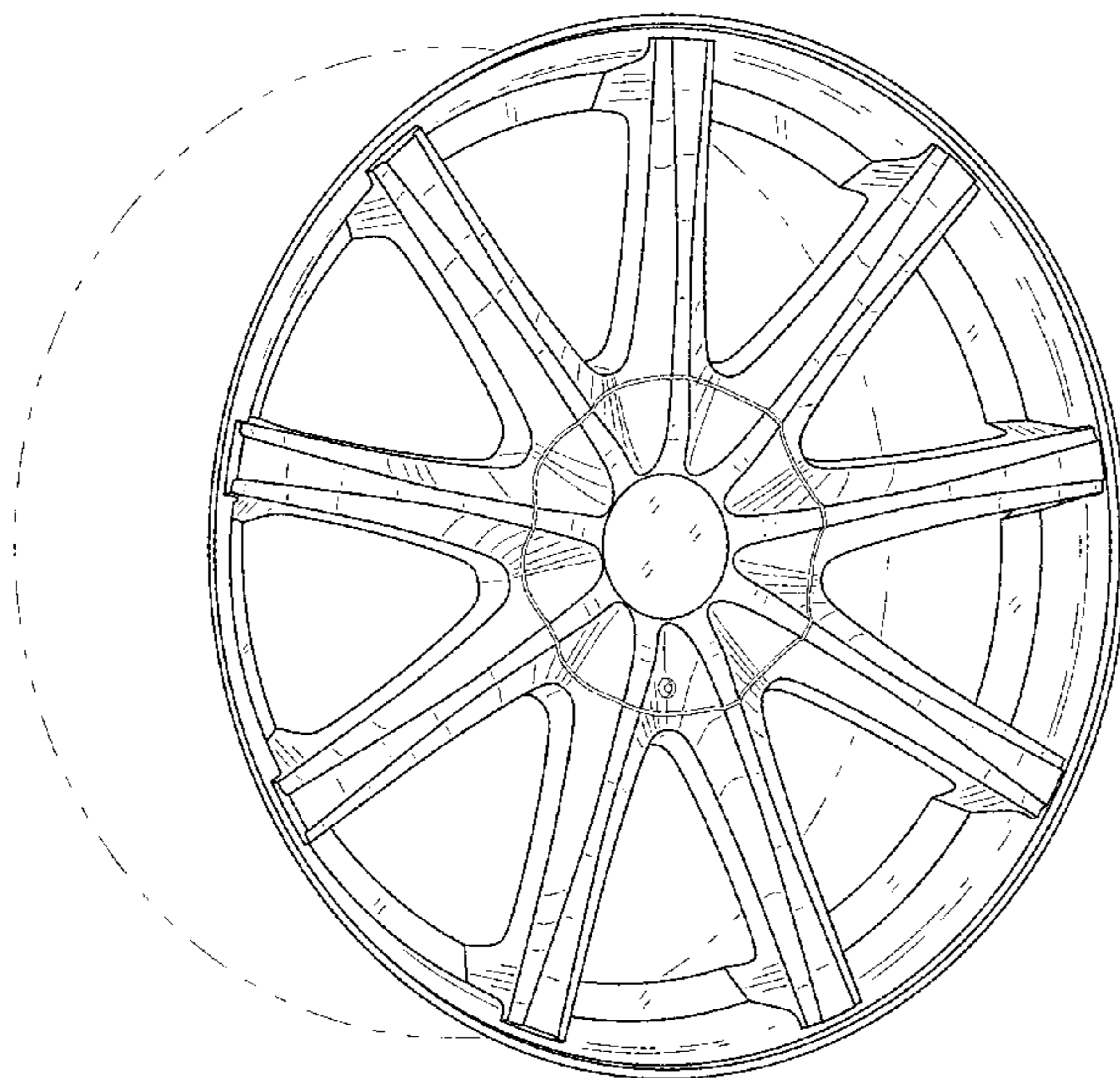
(57) **CLAIM**

The ornamental design for an automotive wheel, as shown and described.

**DESCRIPTION**

FIG. 1 is a perspective view of an automotive wheel, showing my new design; and, FIG. 2 is a front view thereof. The broken line showing of the rear portion of the wheel is included for the purpose of illustrating environment and forms no part of the claimed design.

**1 Claim, 2 Drawing Sheets**



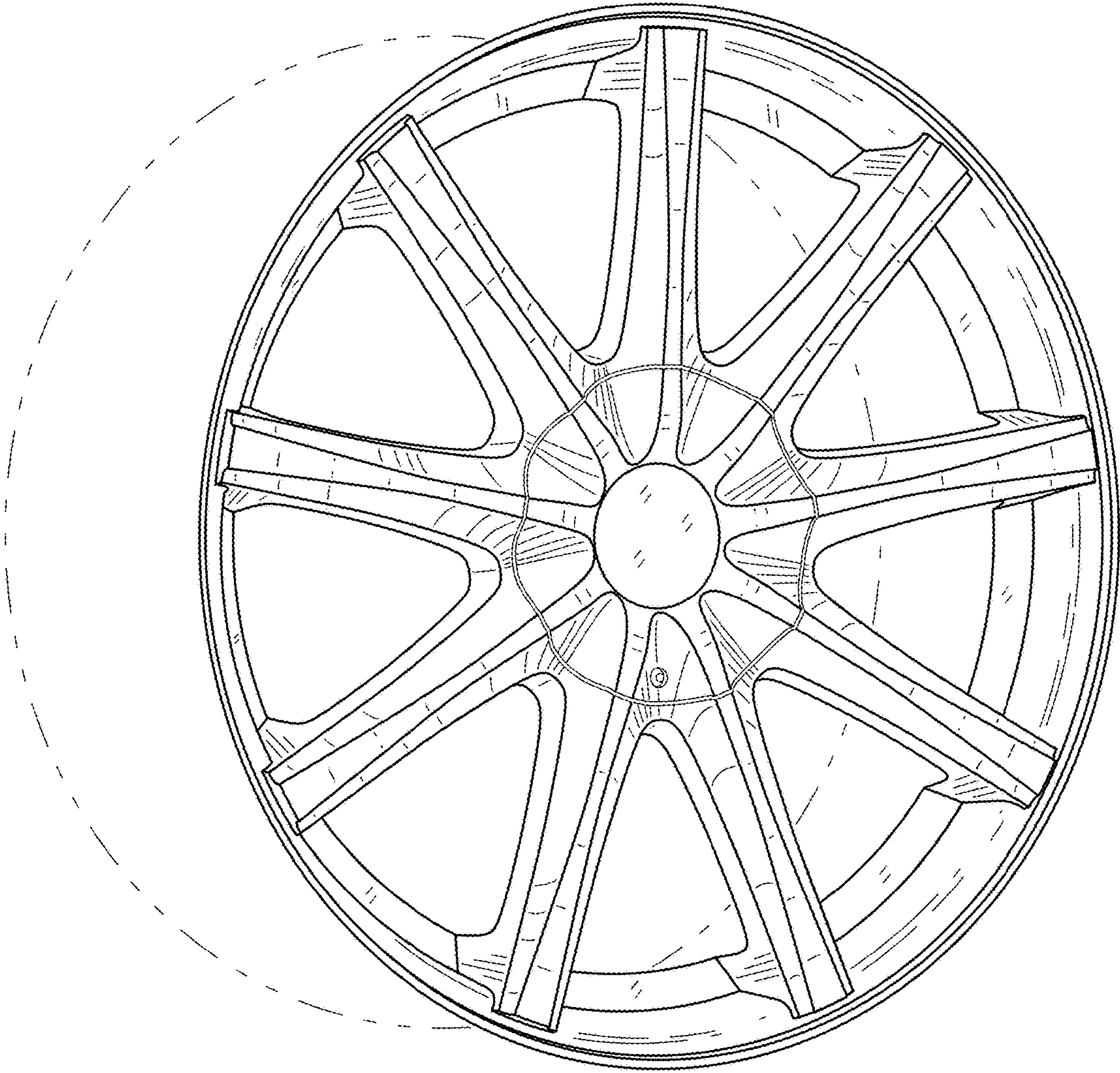


FIGURE 1



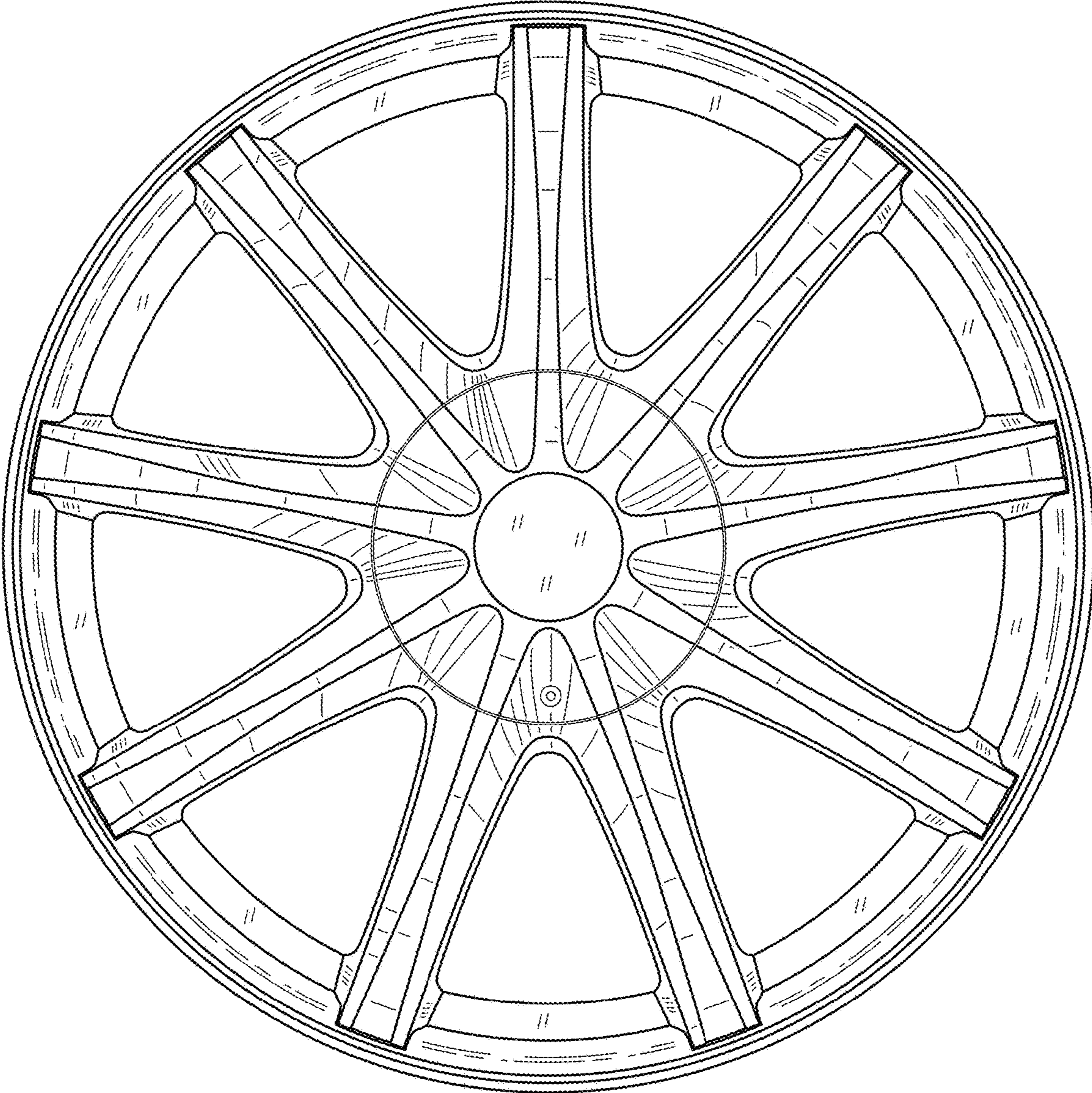


FIGURE 2