



US00D797631S

(12) **United States Design Patent**  
**Pevovar et al.**

(10) **Patent No.:** **US D797,631 S**  
(45) **Date of Patent:** **\*\* Sep. 19, 2017**

- (54) **VEHICLE DECKLID**
- (71) Applicant: **GM Global Technology Operations LLC**, Detroit, MI (US)
- (72) Inventors: **Michael J. Pevovar**, Northville Township, MI (US); **Samuel Zhao**, Franklin, MI (US); **Jaymer Starbody**, Bryan, OH (US)
- (73) Assignee: **GM Global Technology Operations LLC**, Detroit, MI (US)
- (\*\*) Term: **15 Years**
- (21) Appl. No.: **29/539,065**
- (22) Filed: **Sep. 10, 2015**
- (51) **LOC (10) Cl.** ..... **12-16**
- (52) **U.S. Cl.**  
USPC ..... **D12/196**
- (58) **Field of Classification Search**  
USPC ..... D12/86, 90–92, 184–186, 190, 196;  
D21/424–425, 433–434  
CPC ..... B60R 13/04; B60R 19/54; B62D 25/12;  
B62D 27/026; B62D 35/005; B60J  
5/0412  
See application file for complete search history.

(56) **References Cited**  
U.S. PATENT DOCUMENTS

D570,742 S	6/2008	Takagi et al.
D592,105 S	5/2009	Dean et al.
D597,447 S	8/2009	Folden
D600,595 S	9/2009	Nakamura et al.
D601,925 S	10/2009	O'Donnell
D603,755 S	11/2009	Peters
D604,203 S	11/2009	O'Donnell
D605,082 S	12/2009	Munson
D605,083 S	12/2009	Manoogian, II et al.
D605,977 S	12/2009	Zipfel et al.
D605,978 S	12/2009	Wolff et al.

D608,249 S	1/2010	Peters	
D608,690 S	1/2010	Folden et al.	
D608,691 S	1/2010	Zak, Jr. et al.	
D609,135 S	* 2/2010	Kim .....	D12/91
D609,608 S	2/2010	Boniface et al.	
D611,387 S	3/2010	Thompson et al.	
D611,879 S	3/2010	Kim et al.	
D612,297 S	3/2010	Peters et al.	
D613,645 S	4/2010	Song et al.	
D615,458 S	5/2010	Thompson et al.	
D618,595 S	6/2010	Ware et al.	
D621,747 S	* 8/2010	Huet .....	D12/91
D623,090 S	9/2010	Cox et al.	
D627,262 S	11/2010	Ikeda et al.	
D635,488 S	4/2011	Phipps	
D644,147 S	8/2011	Suh et al.	
D644,567 S	9/2011	Kozub	
D657,718 S	4/2012	Zipfel et al.	

(Continued)

OTHER PUBLICATIONS

<https://www.youtube.com/watch?v=m76Mi1nNduw>—Published Apr. 2, 2015.\*

(Continued)

*Primary Examiner* — Manpreet Matharu  
*Assistant Examiner* — Mojtaba Tehrani  
(74) *Attorney, Agent, or Firm* — Reising Ethington P.C.

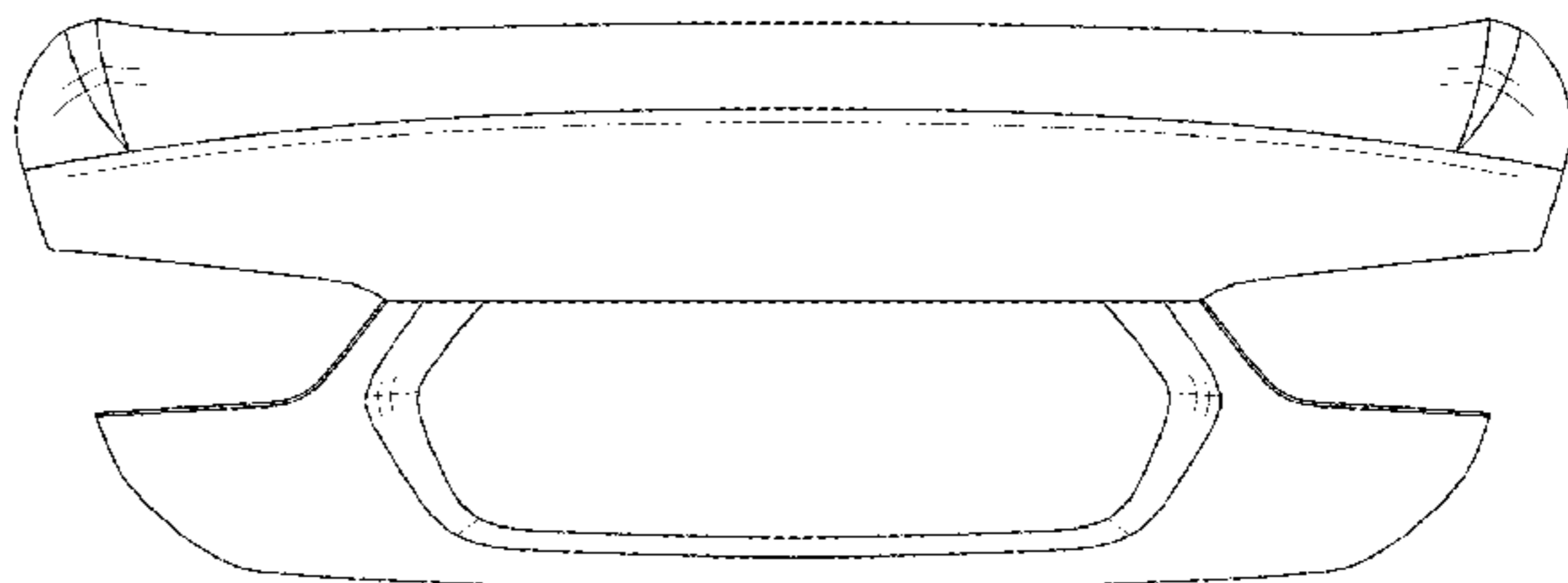
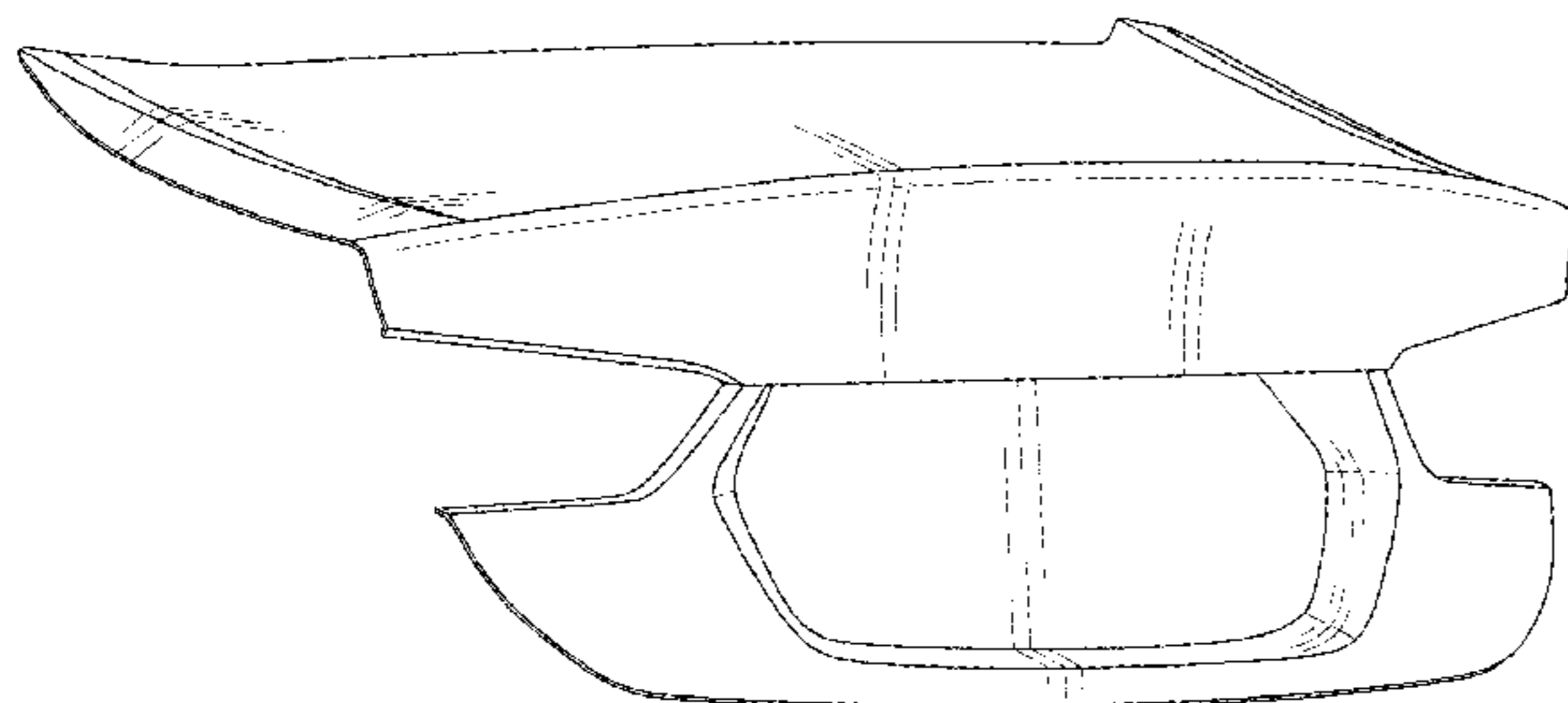
(57) **CLAIM**

The ornamental design for a vehicle decklid, as shown and described.

**DESCRIPTION**

FIG. 1 is a perspective view of the vehicle decklid;  
FIG. 2 is a front view thereof;  
FIG. 3 is a side elevation view thereof; and,  
FIG. 4 is a top plan view thereof.  
The broken lines in the drawings illustrate portions of the vehicle decklid that form no part of the claimed design.

**1 Claim, 2 Drawing Sheets**



(56)

References Cited

U.S. PATENT DOCUMENTS

D659,052 S 5/2012 Ware et al.  
 D659,053 S 5/2012 Ware et al.  
 D668,182 S 10/2012 Barba Franco et al.  
 D668,183 S 10/2012 Smart  
 D678,820 S \* 3/2013 Song ..... D12/91  
 D678,821 S 3/2013 Ikeda et al.  
 D680,909 S 4/2013 Munson et al.  
 D680,910 S 4/2013 David  
 D680,931 S \* 4/2013 Schmeckpeper ..... D12/196  
 D684,899 S 6/2013 Baker  
 D686,536 S \* 7/2013 McCabe ..... D12/92  
 D691,923 S \* 10/2013 Ham ..... D12/92  
 D692,798 S 11/2013 Thurber  
 D692,799 S 11/2013 Smith et al.  
 D696,157 S 12/2013 Loeb  
 D699,629 S 2/2014 Ikeda et al.  
 D700,871 S 3/2014 O'Donnell et al.  
 D703,103 S 4/2014 Lee  
 D704,103 S 5/2014 Mack et al.  
 D705,132 S 5/2014 Ware et al.  
 D705,699 S 5/2014 Ware et al.  
 D706,174 S \* 6/2014 Garand ..... D12/92  
 D713,298 S 9/2014 Dyson  
 D713,764 S 9/2014 Ferlazzo  
 D716,696 S 11/2014 Thole et al.  
 D716,706 S 11/2014 Thole et al.  
 D716,709 S 11/2014 Thole et al.

D717,696 S 11/2014 Thole et al.  
 D718,189 S 11/2014 Krieg et al.  
 D718,683 S 12/2014 Thole et al.  
 D722,282 S 2/2015 Loeb  
 D722,533 S 2/2015 Thole et al.  
 D722,534 S 2/2015 Munson et al.  
 D724,510 S 3/2015 McMahan et al.  
 D725,001 S 3/2015 McMahan et al.  
 D730,776 S 6/2015 Smart  
 D730,783 S 6/2015 Henriques et al.  
 D731,942 S \* 6/2015 Hammoud ..... D12/196  
 D732,435 S 6/2015 Mackay  
 D733,616 S \* 7/2015 Hammoud ..... D12/92  
 D733,629 S \* 7/2015 Rugar ..... D12/196  
 D735,079 S \* 7/2015 Sperling ..... D12/92  
 D735,627 S 8/2015 Smith  
 D736,451 S 8/2015 Smith  
 D742,283 S \* 11/2015 Forsgren ..... D12/92  
 D748,534 S \* 2/2016 Bischoff ..... D12/92  
 D762,144 S \* 7/2016 Nagafuchi ..... D12/92  
 D762,527 S \* 8/2016 Willing ..... D12/92  
 D764,996 S \* 8/2016 Lee ..... D12/196  
 D767,461 S \* 9/2016 Kozub ..... D12/196

OTHER PUBLICATIONS

<https://www.youtube.com/watch?v=AO34aaomWks>—Published Dec. 3, 2015.\*

\* cited by examiner

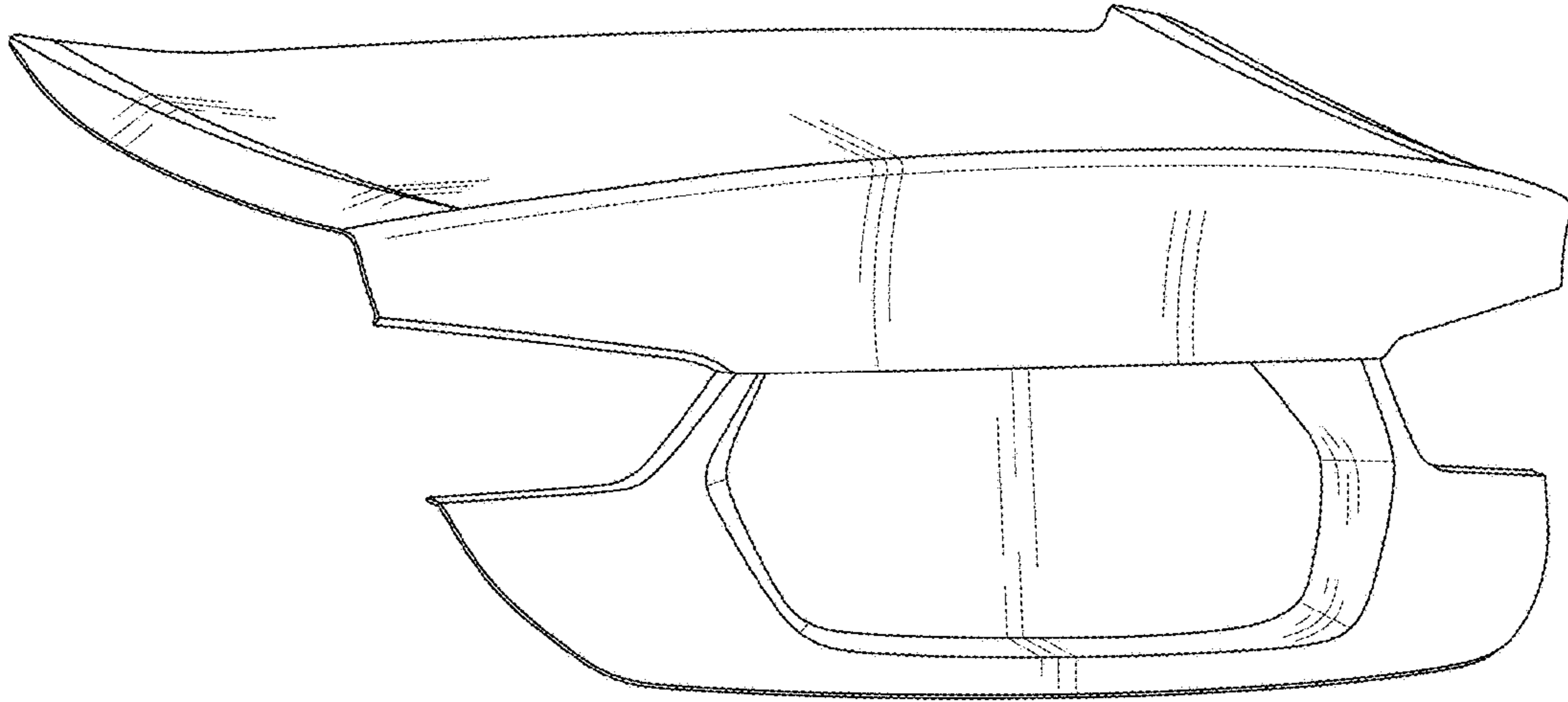


Fig. 1

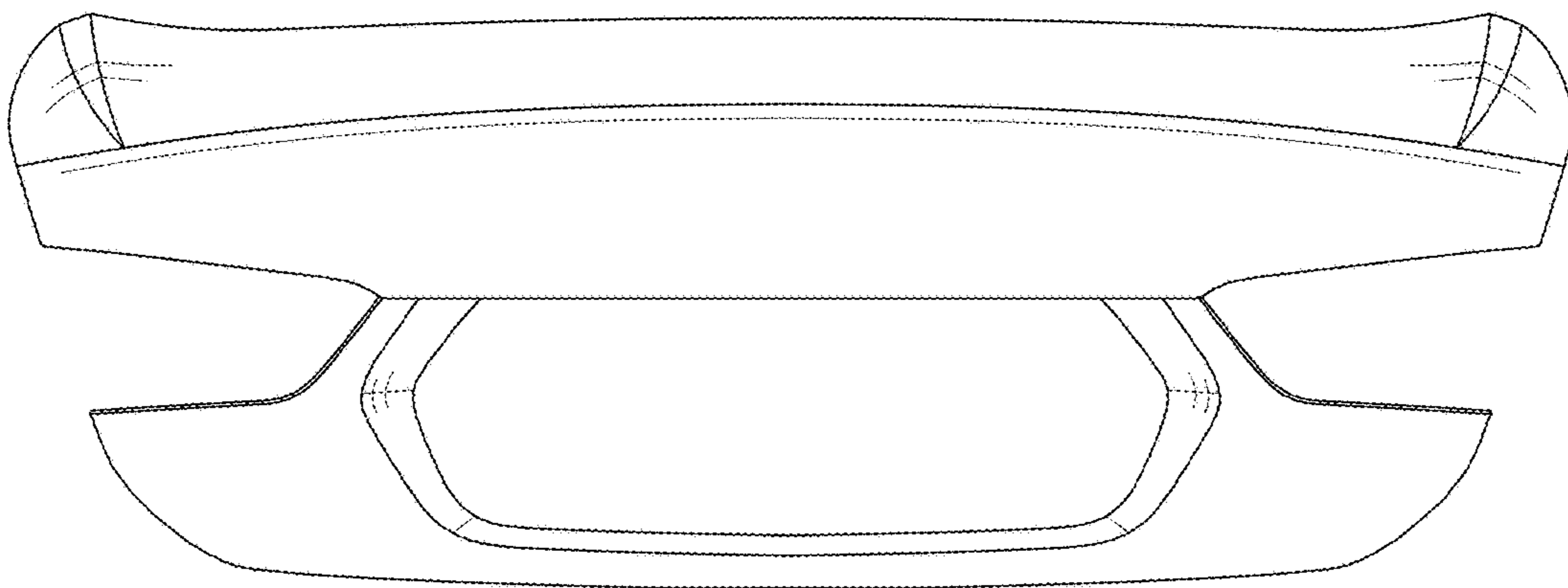


Fig. 2

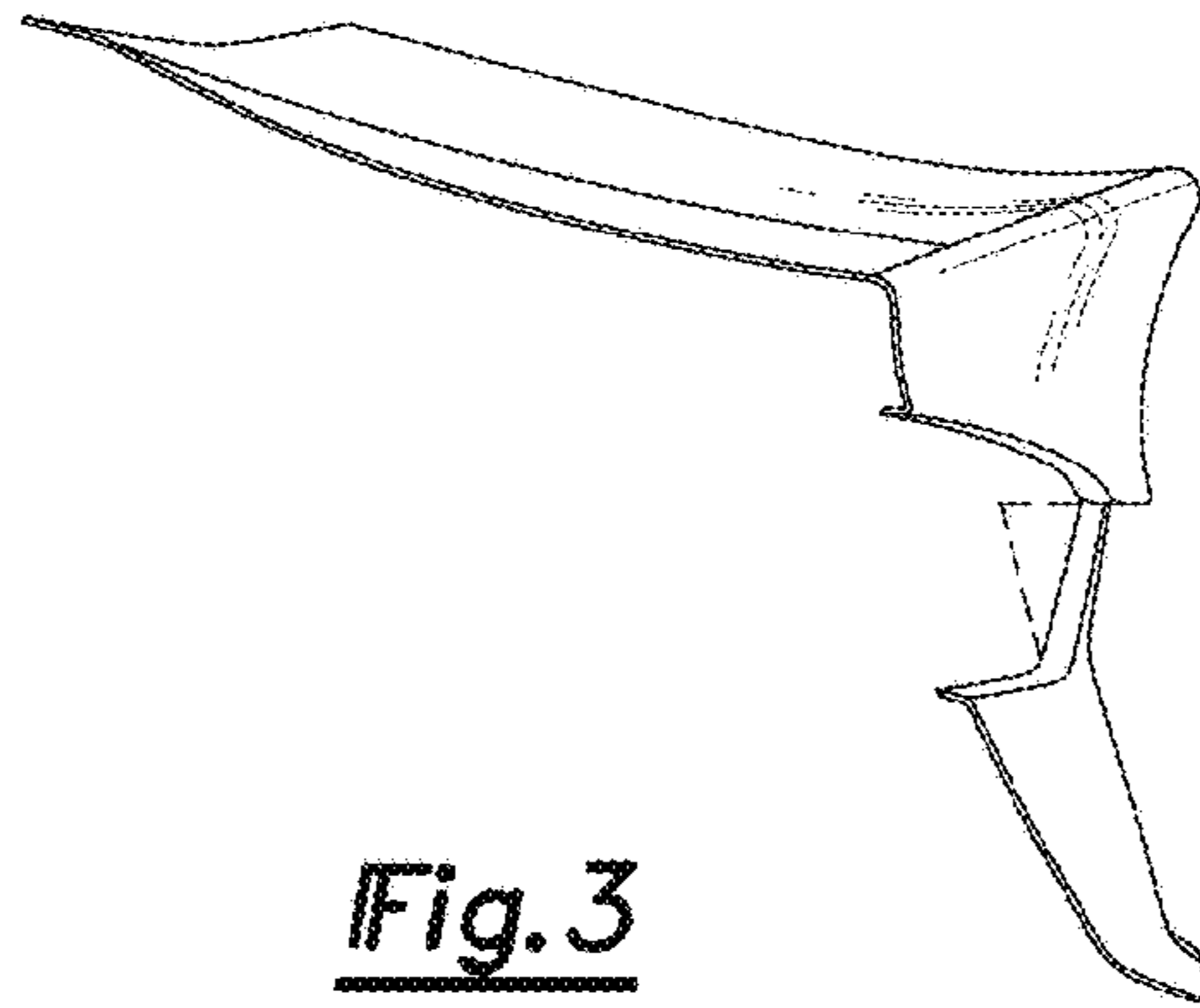


Fig. 3

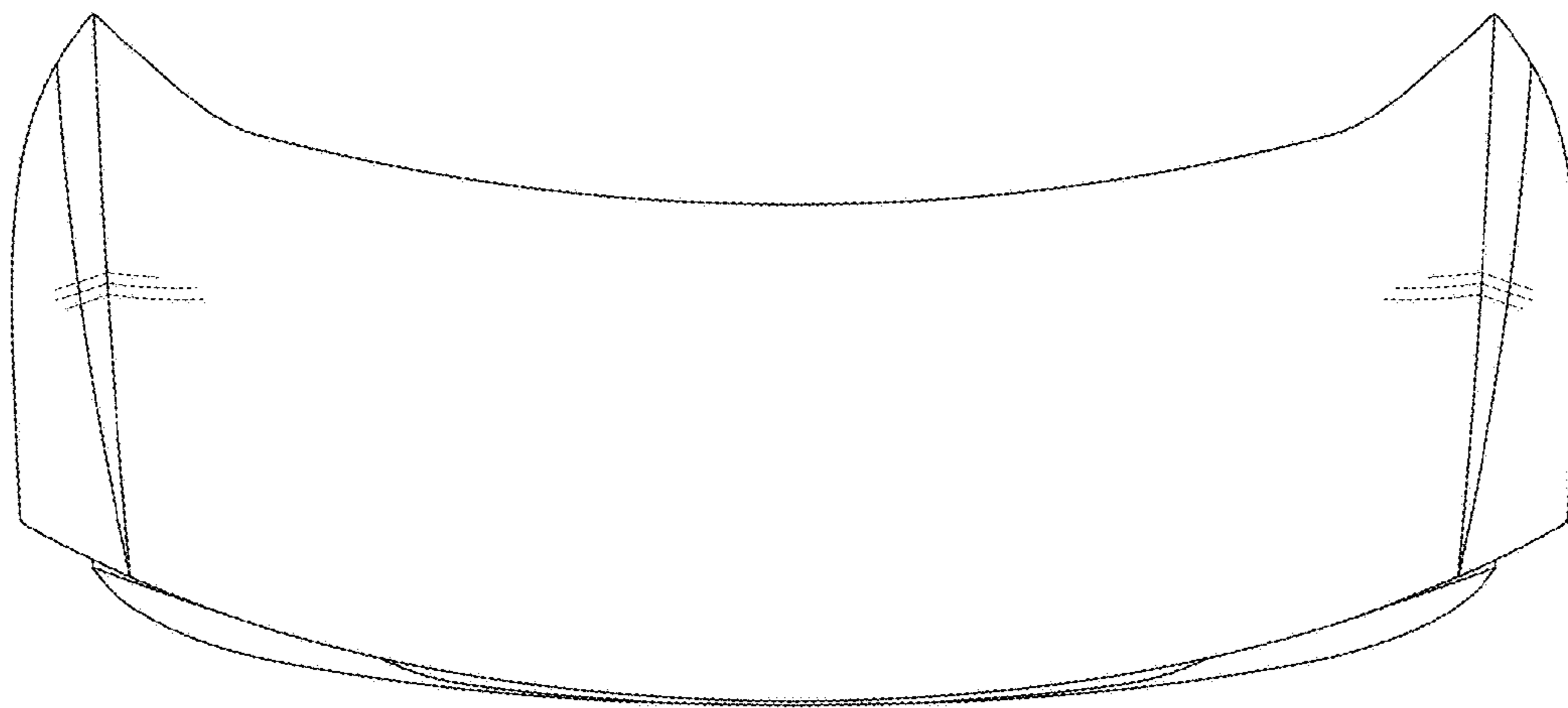


Fig. 4