



US00D797630S

(12) **United States Design Patent** (10) **Patent No.:** **US D797,630 S**
Faghihzadeh (45) **Date of Patent:** **** *Sep. 19, 2017**

(54) **REAR DOOR FOR A VEHICLE**
(71) Applicant: **Bayerische Motoren Werke Aktiengesellschaft, Munich (DE)**
(72) Inventor: **Nader Faghihzadeh, Munich (DE)**
(73) Assignee: **Bayerische Motoren Werke Aktiengesellschaft, Munich (DE)**

D702,602 S * 4/2014 Matsumoto D12/169
D705,149 S * 5/2014 Sakae D12/196
D723,426 S * 3/2015 Loeb D12/92
D736,673 S * 8/2015 Hall D12/92
D748,534 S * 2/2016 Bischoff D12/92
D748,535 S * 2/2016 Hatton D12/92
D753,551 S * 4/2016 Gale D12/88
2010/0045066 A1* 2/2010 Gress B21C 37/065
296/146.5

(*) Notice: This patent is subject to a terminal disclaimer.
(**) Term: **15 Years**

(21) Appl. No.: **29/527,525**
(22) Filed: **May 20, 2015**

(30) **Foreign Application Priority Data**

Nov. 21, 2014 (DE) 40 2014 101 119

(51) **LOC (10) Cl.** **12-16**
(52) **U.S. Cl.**
USPC **D12/196**

(58) **Field of Classification Search**
USPC D12/90, 91, 92, 181, 184, 196; D21/424, D21/433, 434; 280/847, 848, 727; 296/180.1, 180.5
CPC B62D 25/00; B62D 25/02; B62D 25/04; B62D 25/18; B62D 25/184
See application file for complete search history.

(56) **References Cited**

U.S. PATENT DOCUMENTS

D593,016 S 5/2009 Habib
D653,187 S * 1/2012 Tomatsu D12/196
D660,211 S * 5/2012 Ikuma D12/196
D676,366 S * 2/2013 Yamada D12/196
D686,553 S * 7/2013 Kwon D12/196
D694,691 S * 12/2013 Matsueda D12/196

FOREIGN PATENT DOCUMENTS

WO DM/069623 6/2008

* cited by examiner

Primary Examiner — Manpreet Matharu
Assistant Examiner — Yolanda Robinson
(74) *Attorney, Agent, or Firm* — Crowell & Moring LLP

(57) **CLAIM**

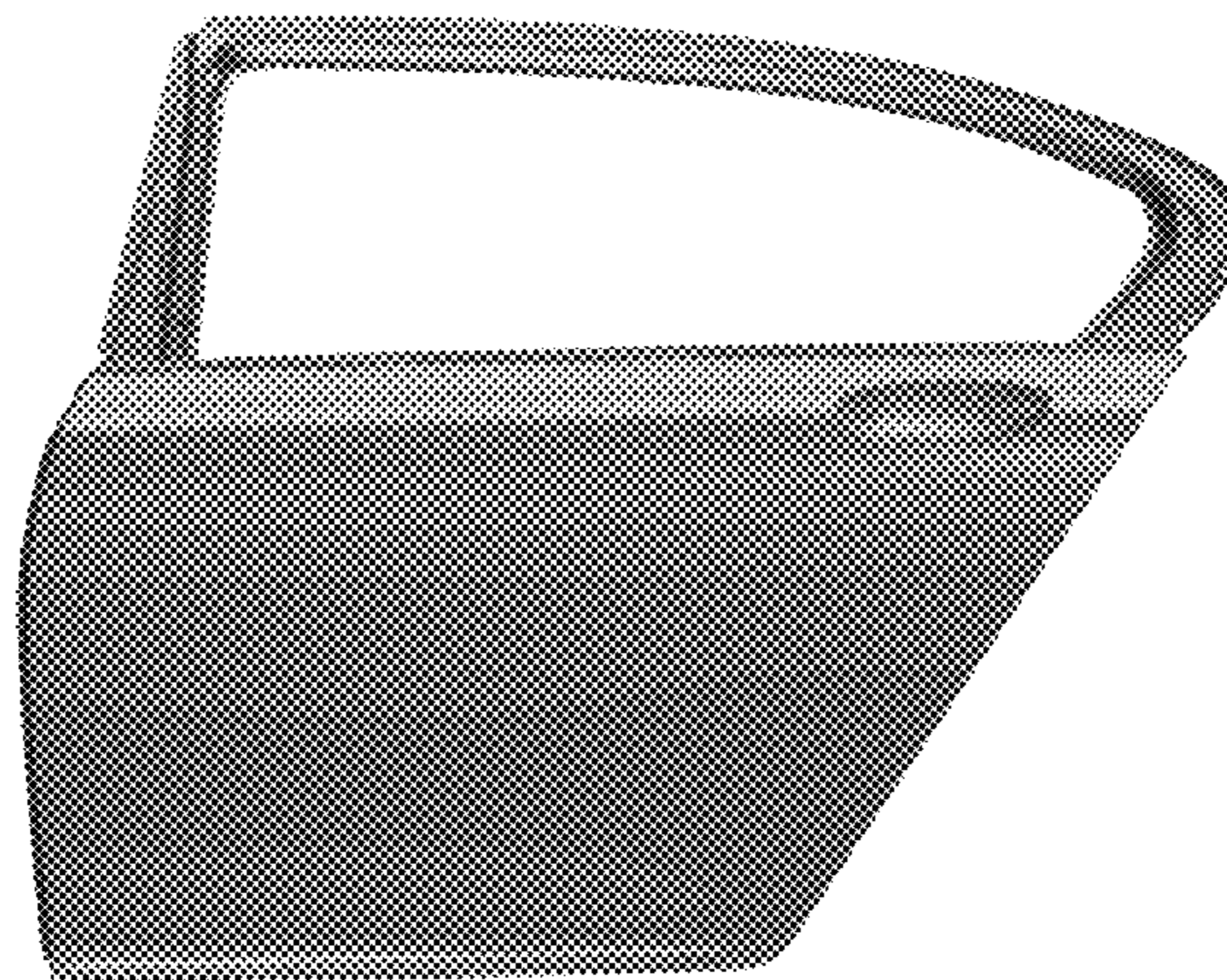
The ornamental design for a rear door for a vehicle, as shown and described.

DESCRIPTION

This application contains subject matter related to the following co-pending U.S. design patent applications: Application No. 29/527,524, filed herewith and entitled “Vehicle, Toy, and/or Replicas Thereof”; and Application No. 29/527,519, filed herewith and entitled “Rear Door for a Vehicle”.

FIG. 1 is a front view of a rear door for a vehicle according to the design;
FIG. 2 is a left perspective view thereof;
FIG. 3 is a right perspective view thereof;
FIG. 4 is a left side view thereof;
FIG. 5 is a right side view thereof;
FIG. 6 is a top view thereof;
FIG. 7 is a bottom view thereof; and,
FIG. 8 is a rear view thereof.

1 Claim, 8 Drawing Sheets



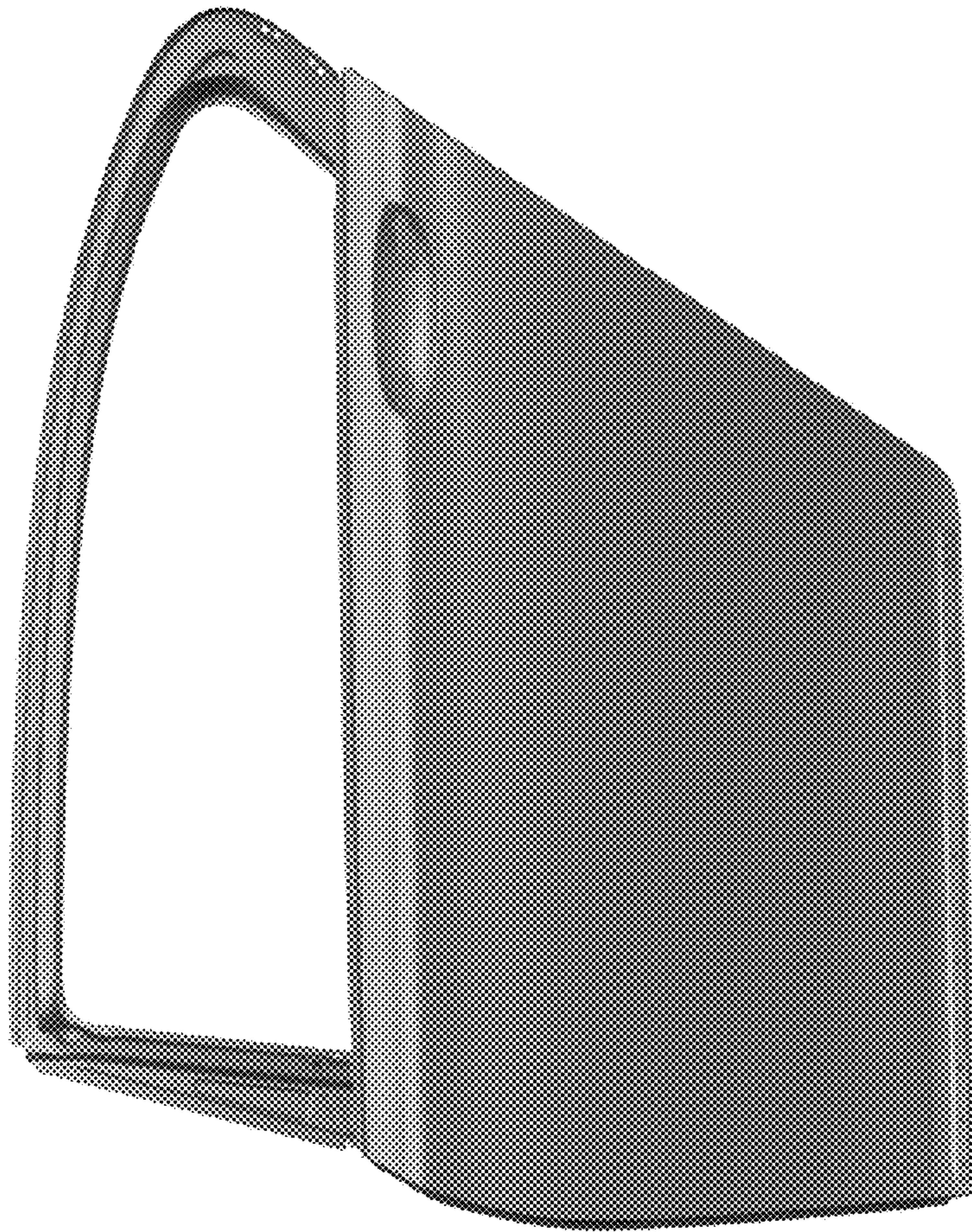


Fig. 1

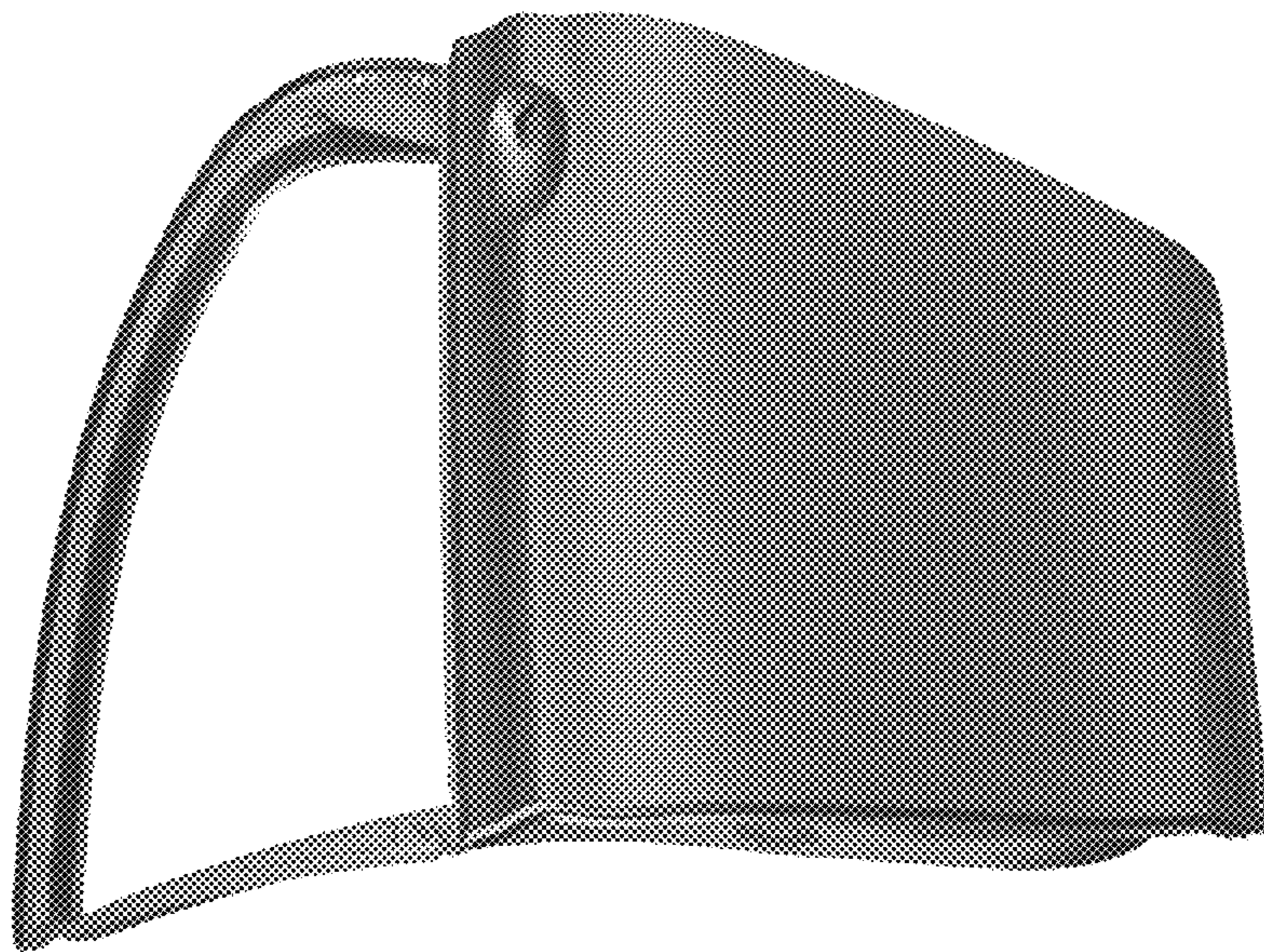


Fig. 2

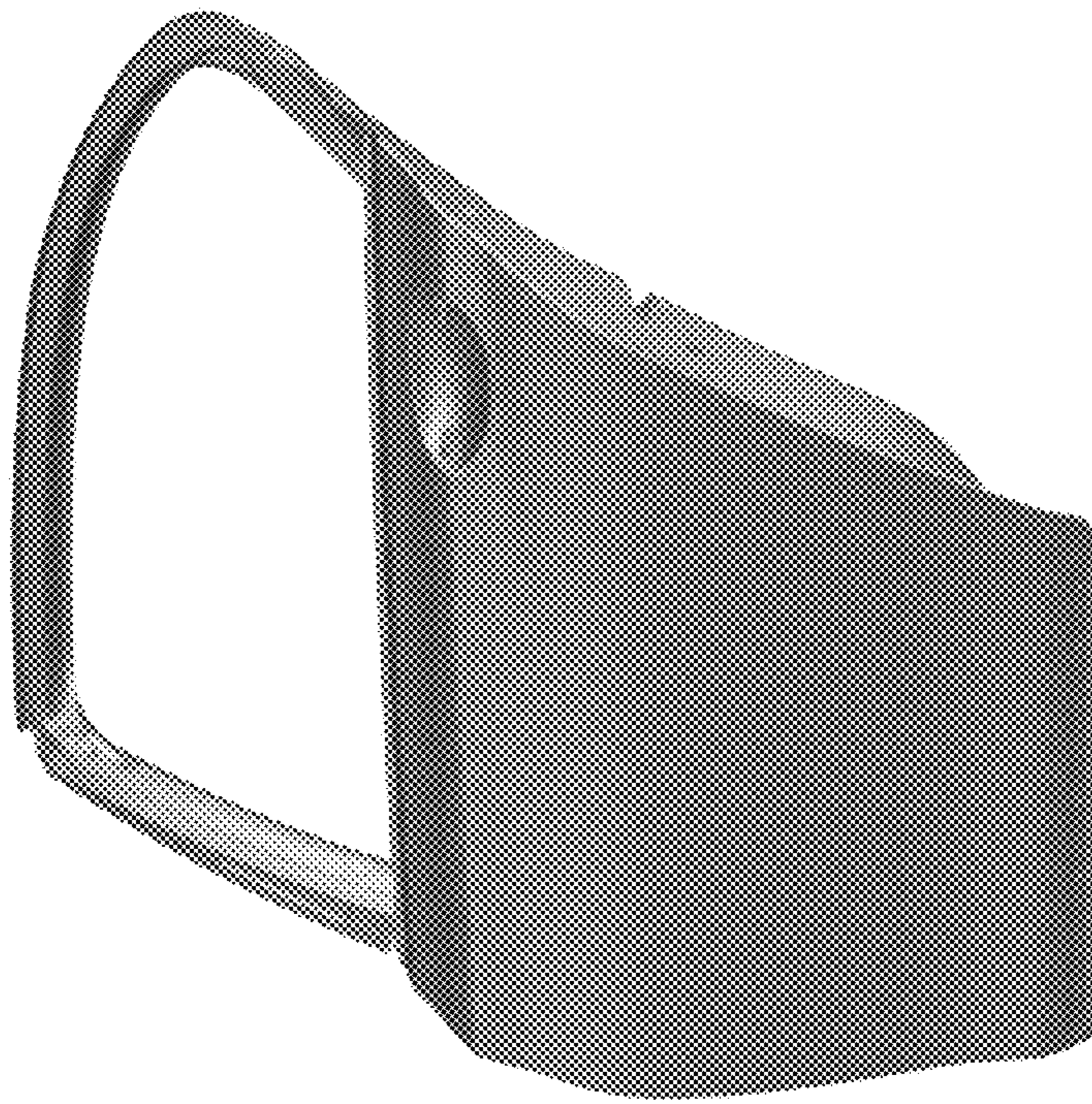


Fig. 3

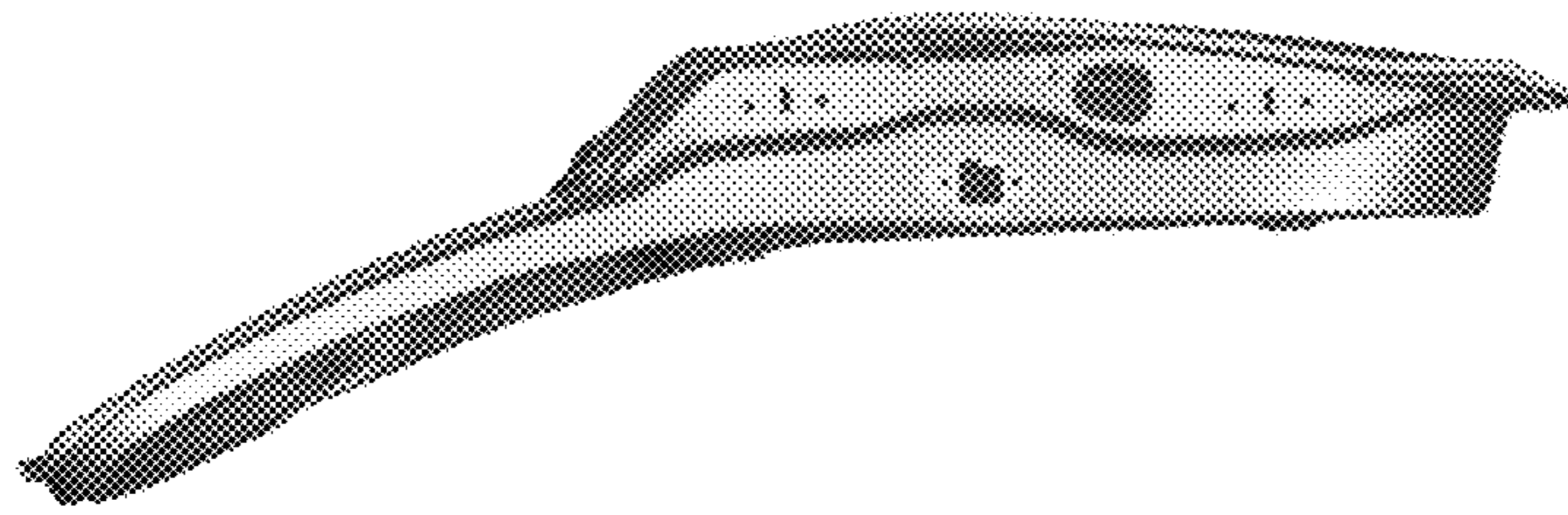


Fig. 4

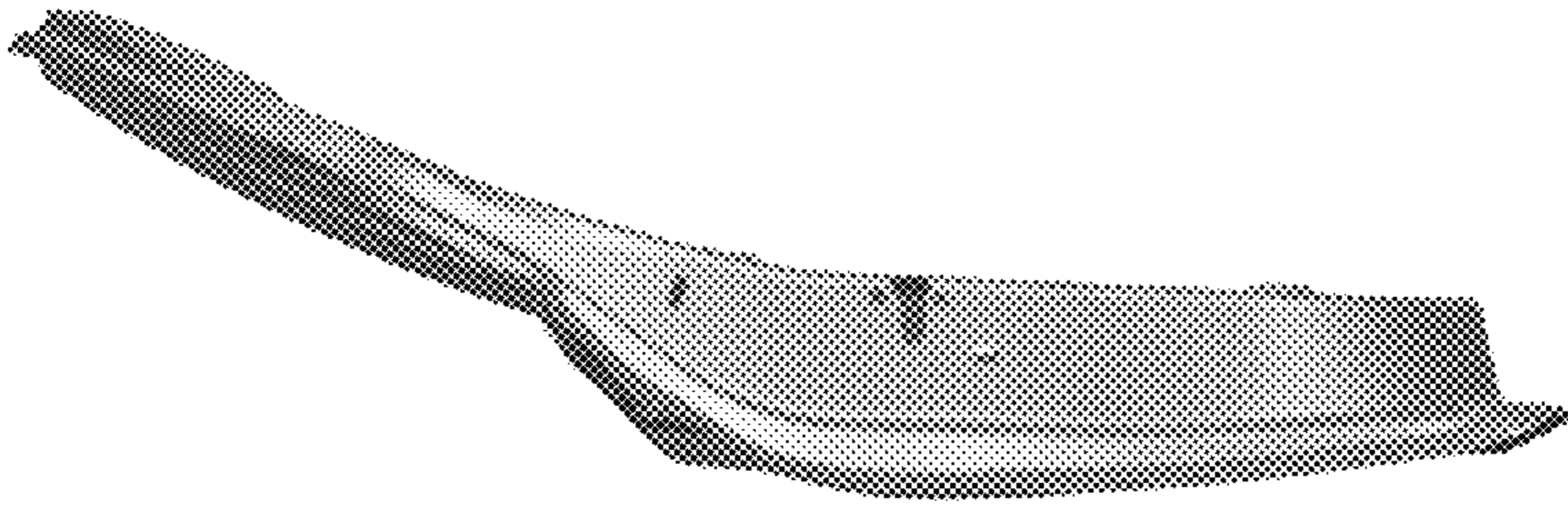


Fig. 5

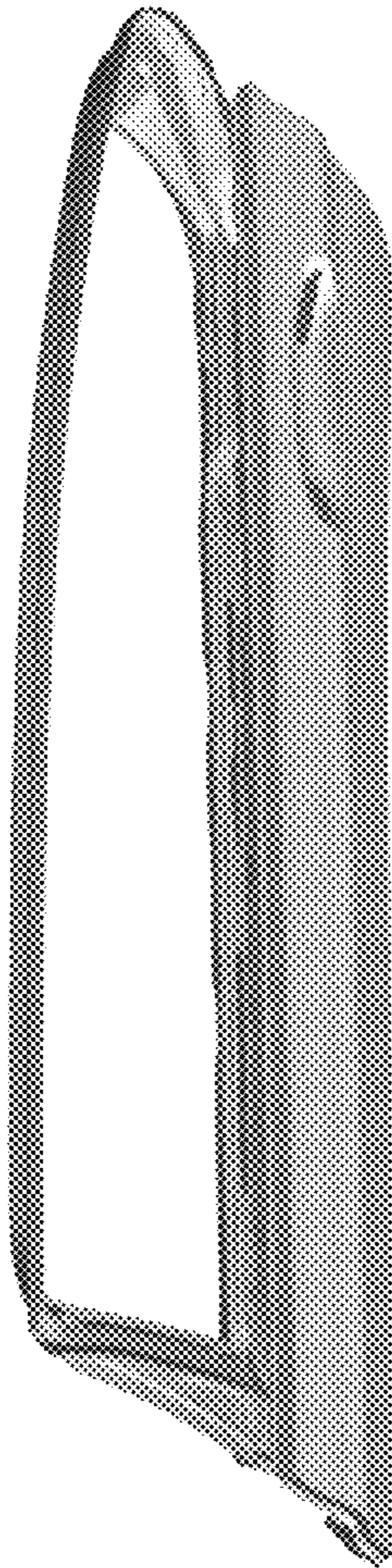


Fig. 6

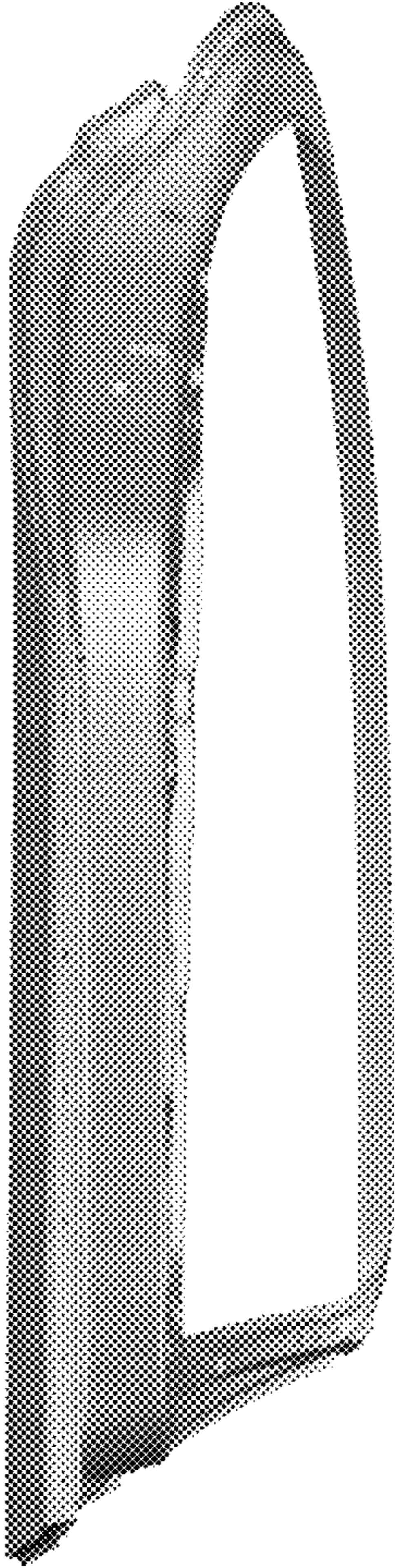


Fig. 7

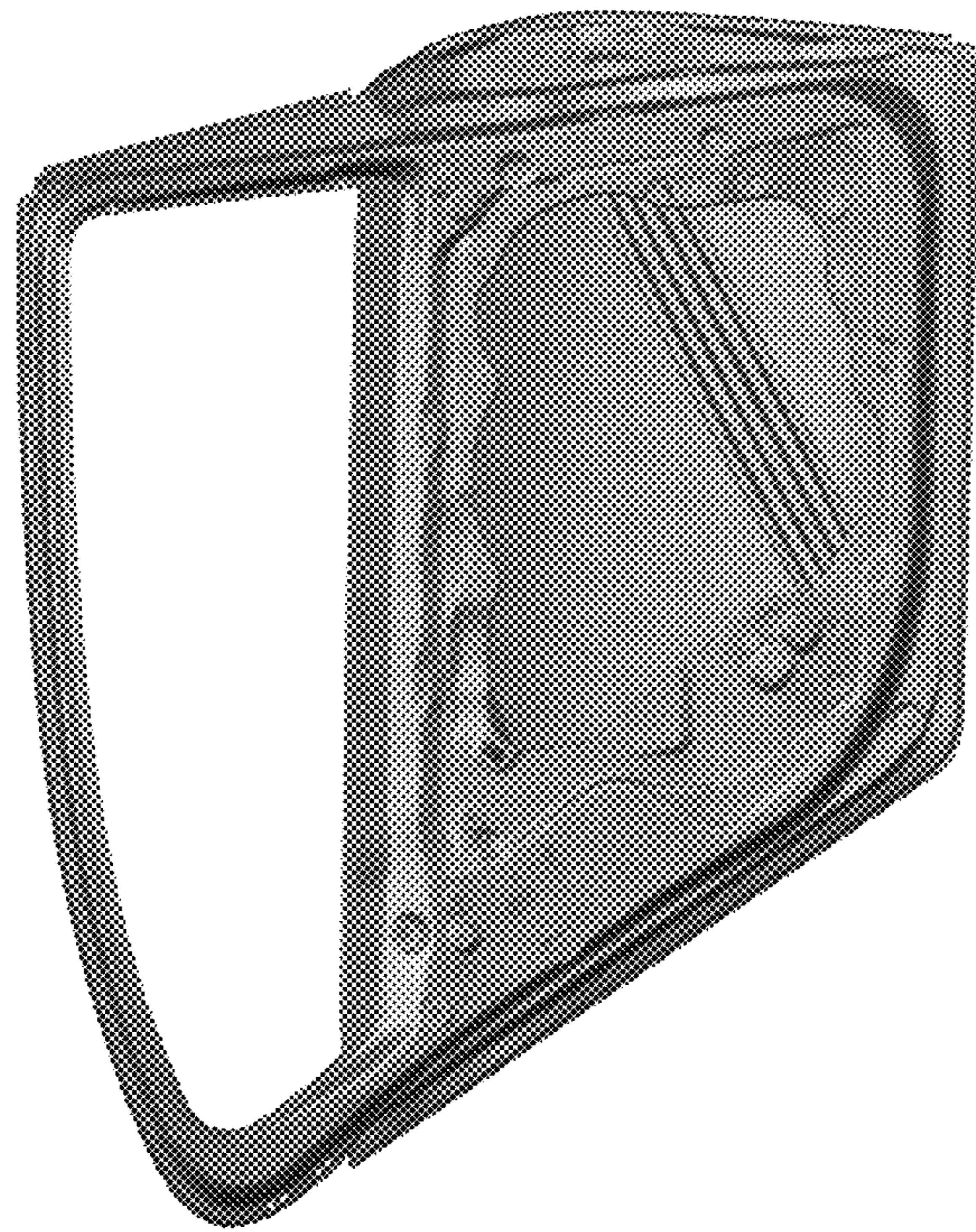


Fig. 8