



US00D797626S

(12) **United States Design Patent**
Hamlin et al.

(10) **Patent No.:** **US D797,626 S**
(45) **Date of Patent:** **** Sep. 19, 2017**

(54) **MIRROR ASSEMBLY**
(71) Applicant: **Gentex Corporation**, Zeeland, MI (US)
(72) Inventors: **Bradley R. Hamlin**, Allendale, MI (US); **Richard T. Fish, Jr.**, Hudsonville, MI (US); **Danny L. Minikey, Jr.**, Fenwick, MI (US)
(73) Assignee: **GENTEX CORPORATION**, Zeeland, MI (US)
(**) Term: **14 Years**

(21) Appl. No.: **29/515,131**
(22) Filed: **Jan. 20, 2015**
(51) **LOC (10) Cl.** **12-16**
(52) **U.S. Cl.**
USPC **D12/187**
(58) **Field of Classification Search**
USPC D12/187, 188-189; D6/300, 309
CPC B60R 1/076; G02B 7/182; G02B 5/08; G02B 7/18
See application file for complete search history.

(56) **References Cited**

U.S. PATENT DOCUMENTS

D283,998 S	5/1986	Tanaka
4,630,904 A	12/1986	Pastore
D346,356 S	4/1994	Leu
D400,481 S	11/1998	Stephens et al.
D401,200 S	11/1998	Huang
D451,869 S	12/2001	Knapp et al.
D471,847 S	3/2003	Rumsey et al.
D493,131 S	7/2004	Lawlor et al.
D493,394 S	7/2004	Lawlor et al.
D499,678 S	12/2004	Bradley
6,902,284 B2	6/2005	Hutzl et al.
D553,061 S	10/2007	Schmidt et al.

D729,713 S *	5/2015	Hamlin	D12/187
D730,255 S *	5/2015	Roth	D12/187
D731,376 S *	6/2015	Hamlin	D12/187
D739,320 S *	9/2015	Minikey, Jr.	D12/187
D746,198 S *	12/2015	Hamlin	D12/187
D746,744 S *	1/2016	Sloterbeek	D12/187
D755,097 S *	5/2016	Lin	D12/187
D755,689 S *	5/2016	Suesse	D12/187
D761,170 S *	7/2016	Roth	D12/187
D761,171 S *	7/2016	Roth	D12/187
2013/0279014 A1 *	10/2013	Fish, Jr.	G02B 27/0149 359/630
2014/0192431 A1	7/2014	Sloterbeek et al.		

* cited by examiner

Primary Examiner — Katrina A Betton

(74) *Attorney, Agent, or Firm* — Price Heneveld LLP;
Bradley D. Johnson

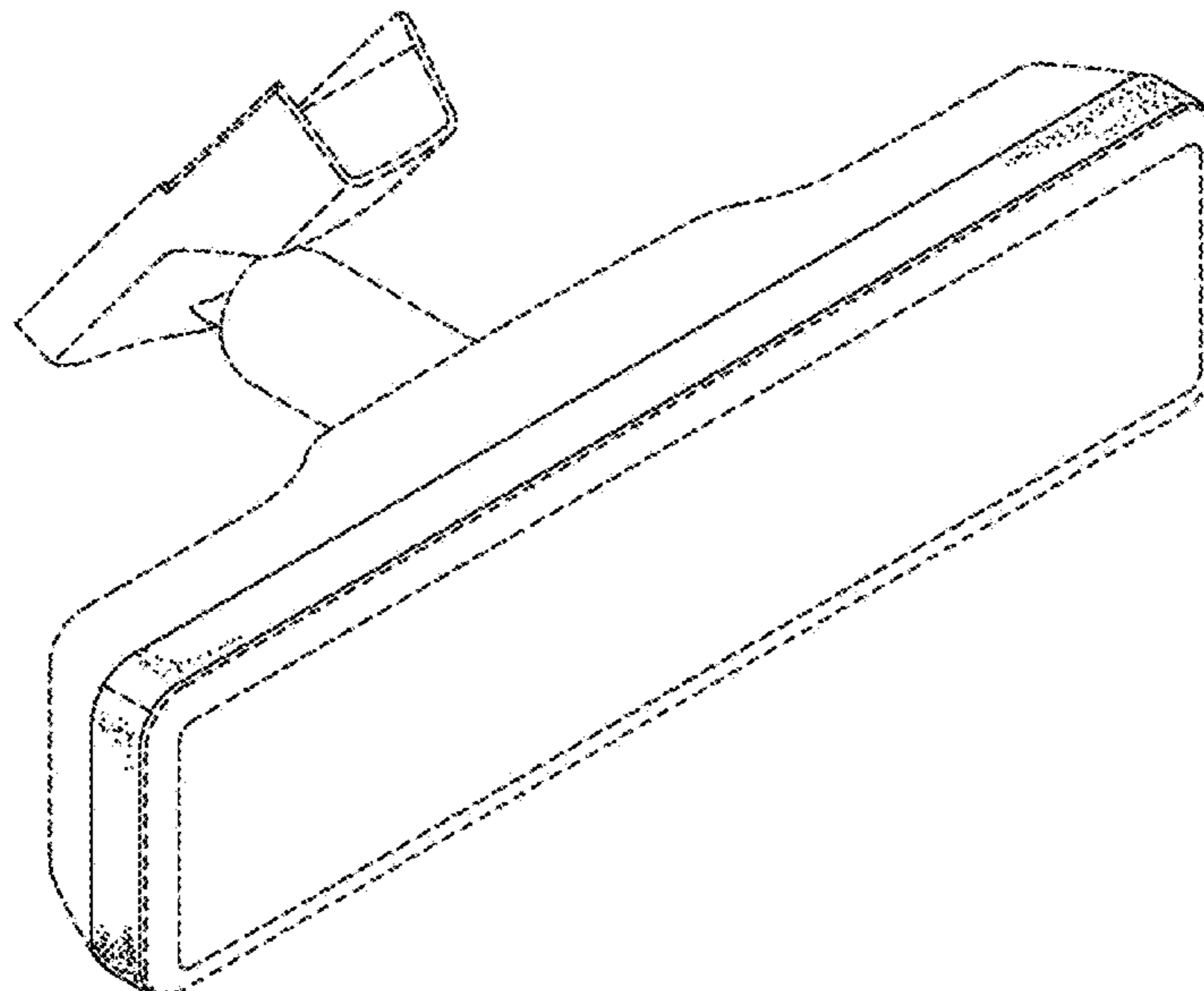
(57) **CLAIM**

We claim the ornamental design for a mirror assembly, as shown and described.

DESCRIPTION

FIG. 1 is a front perspective view of one embodiment of a mirror assembly of the present disclosure;
FIG. 2 is a front elevational view of the mirror assembly of FIG. 1;
FIG. 3 is a rear elevational view of the mirror assembly of FIG. 1;
FIG. 4 is a first side elevational view of the mirror assembly of FIG. 1;
FIG. 5 is a second side elevational view of the mirror assembly of FIG. 1;
FIG. 6 is a top plan view of the mirror assembly of FIG. 1; and,
FIG. 7 is a bottom plan view of the mirror assembly of FIG. 1.

1 Claim, 6 Drawing Sheets



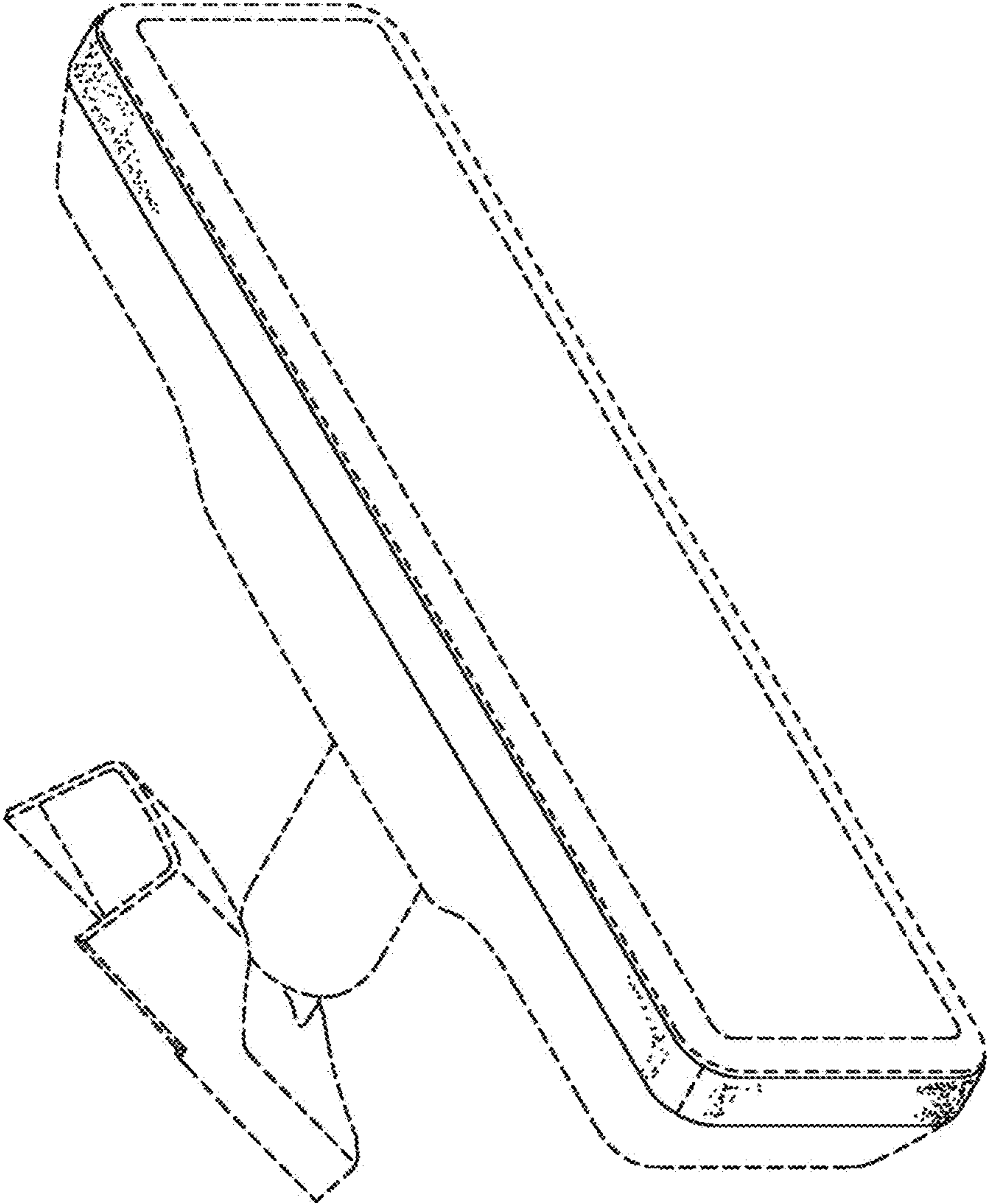


FIG. 1

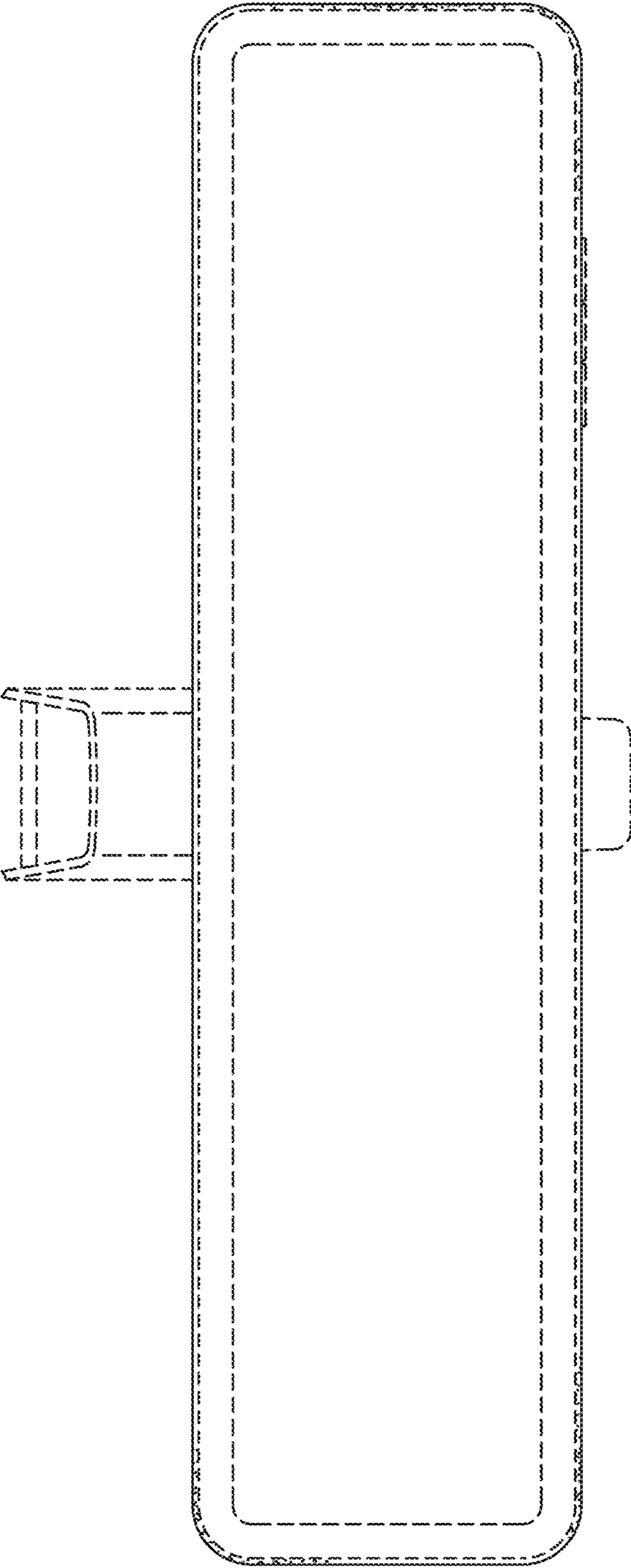


FIG. 2

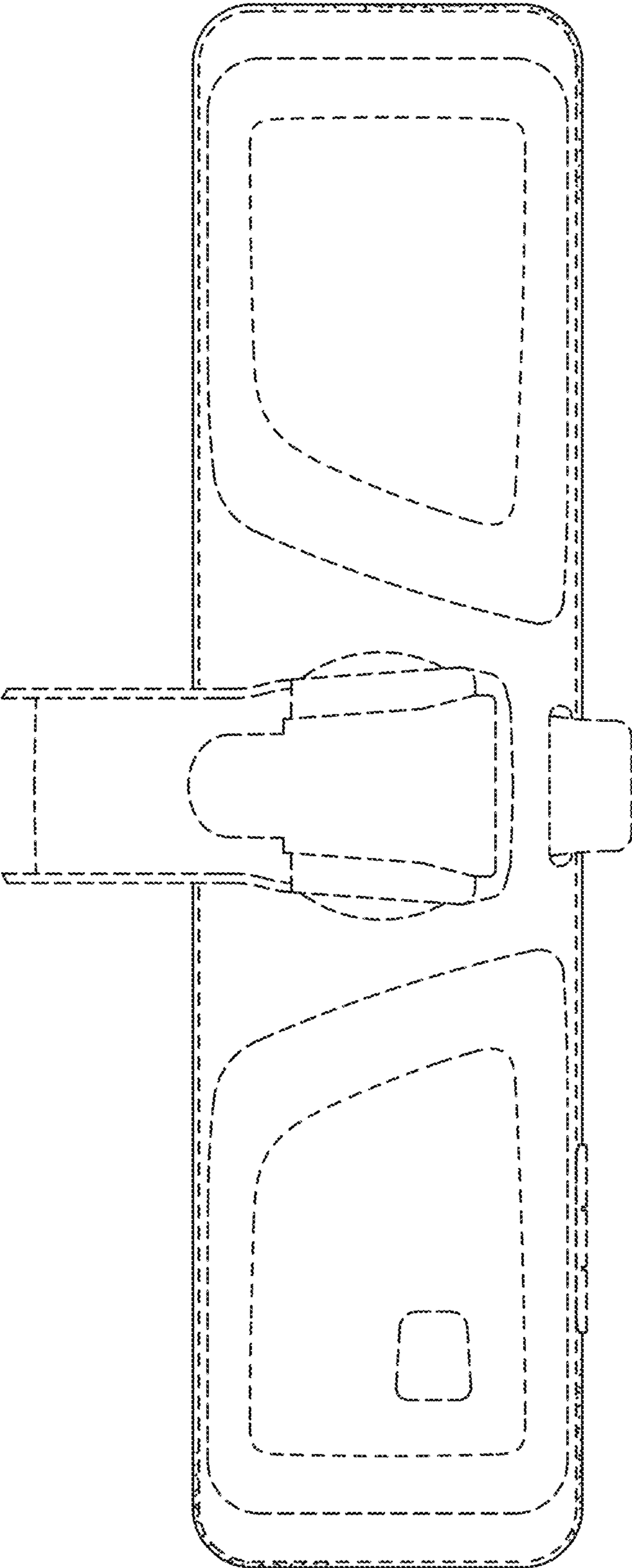


FIG. 3

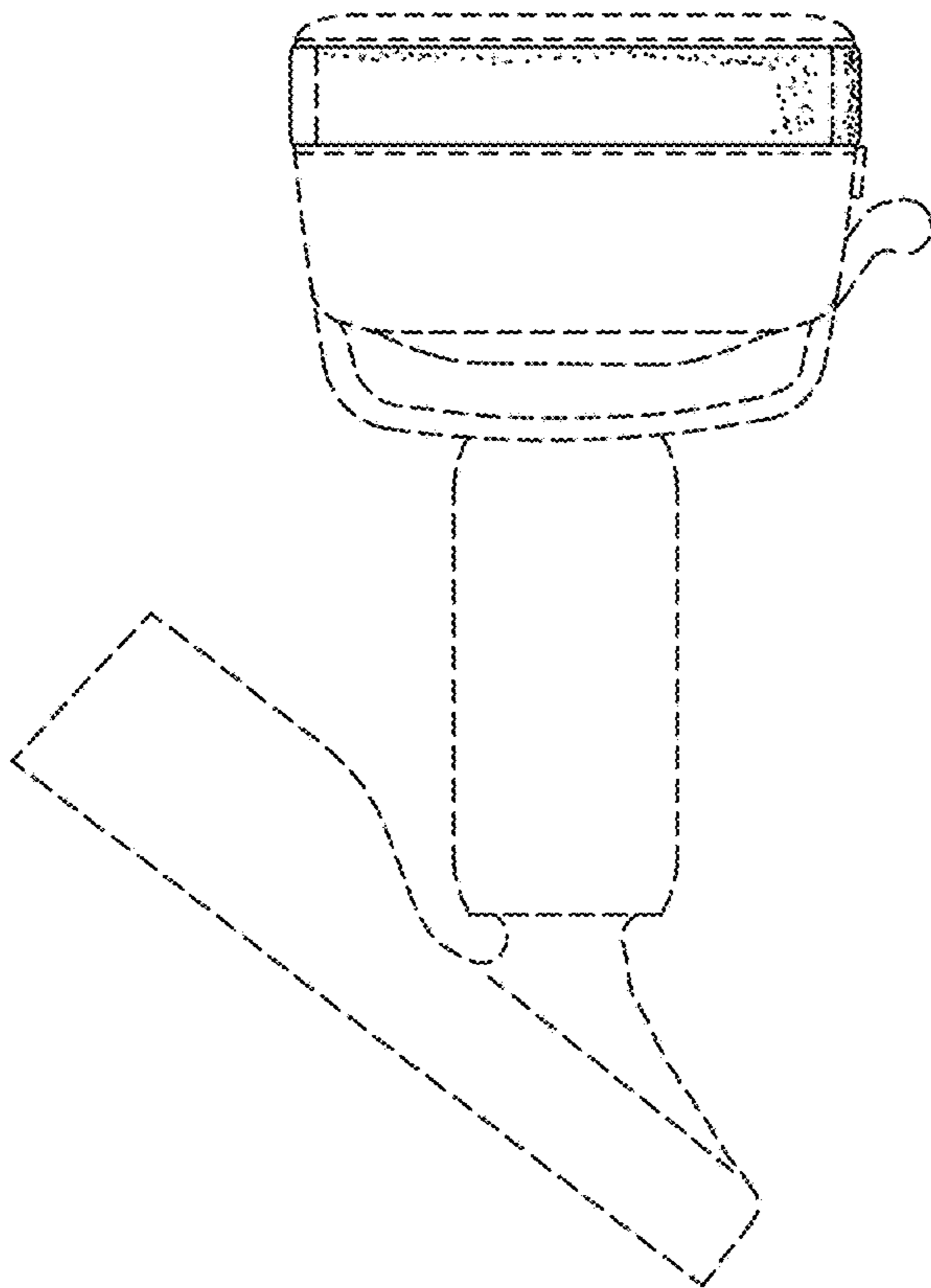


FIG. 4

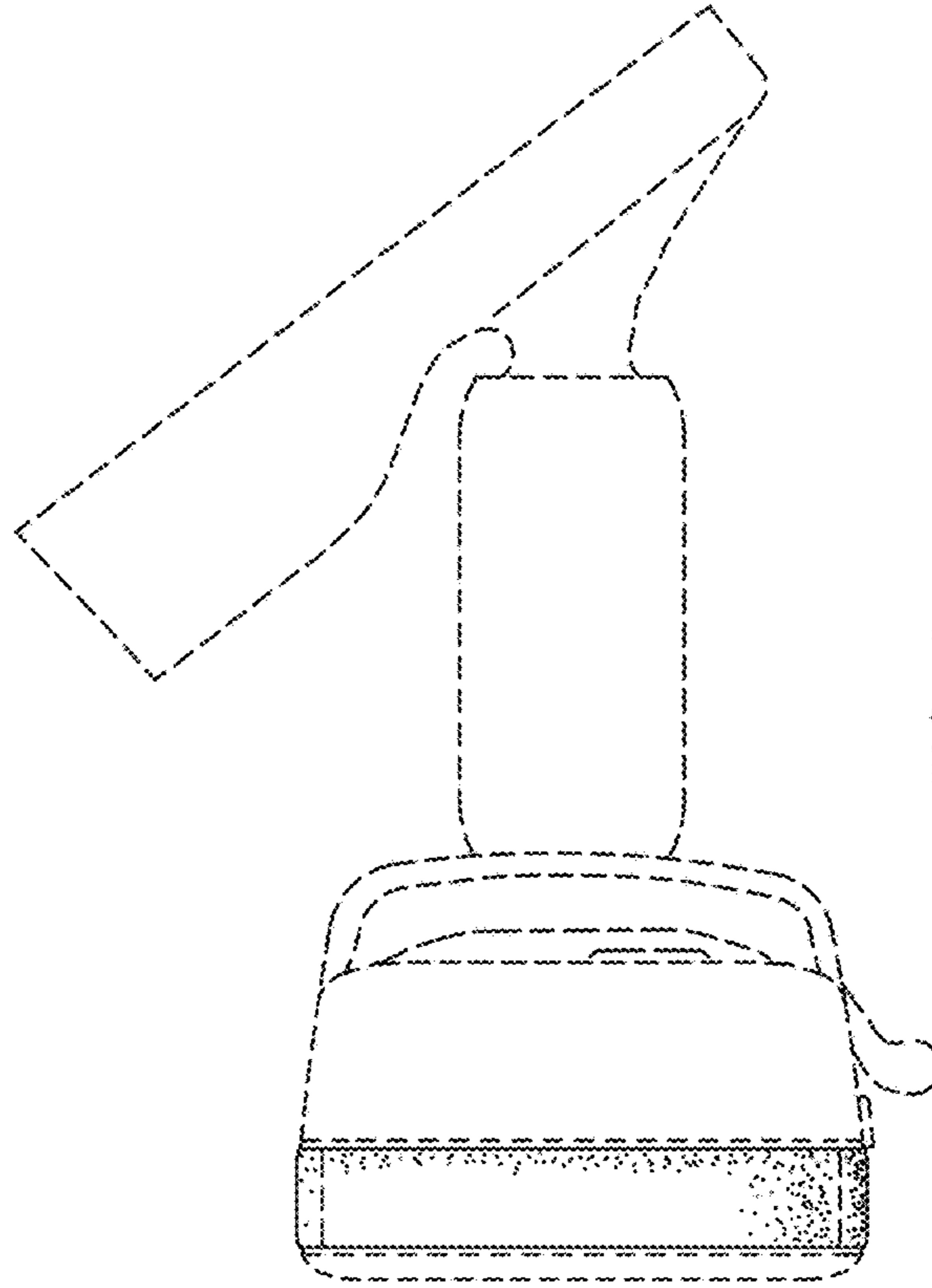


FIG. 5

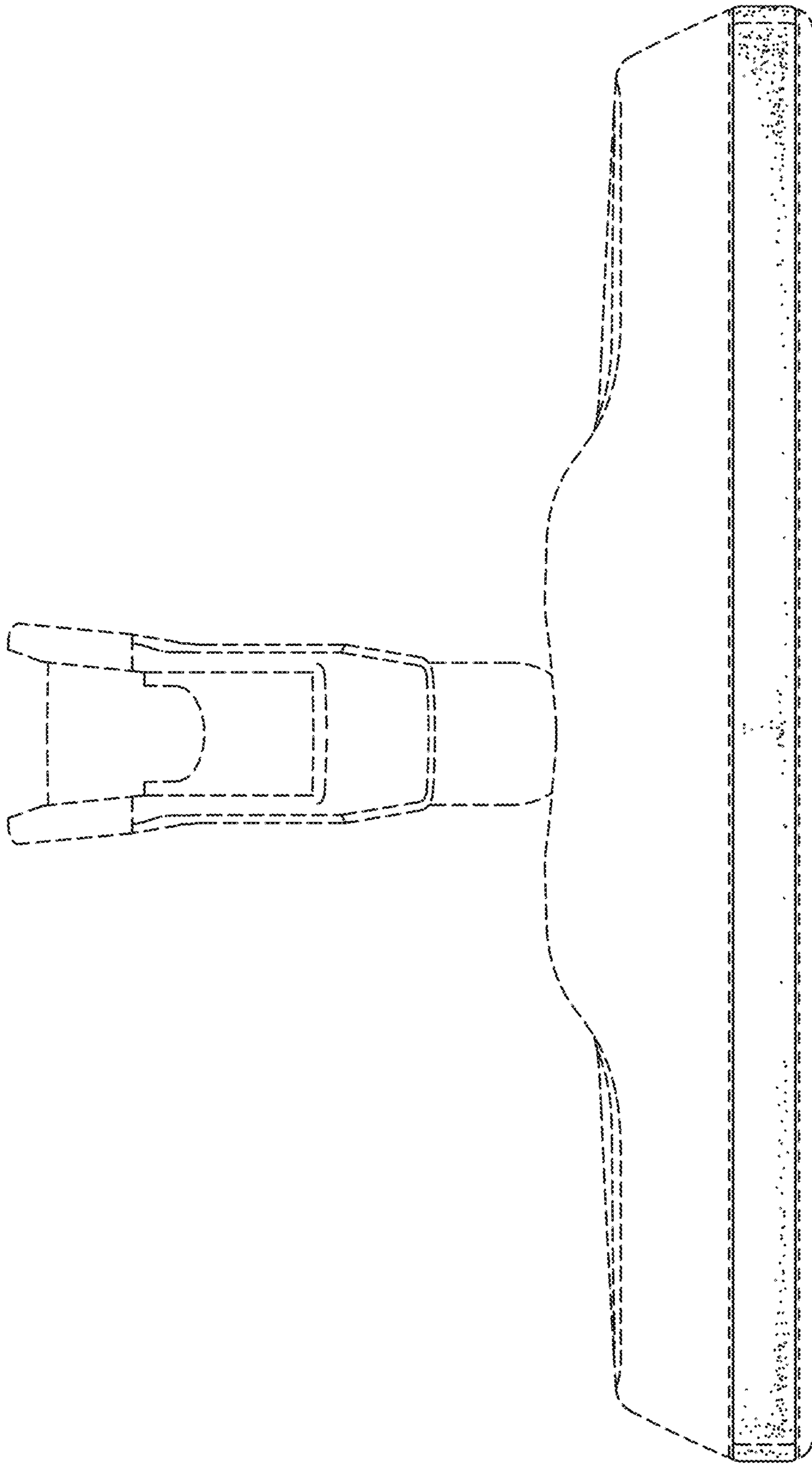


FIG. 6

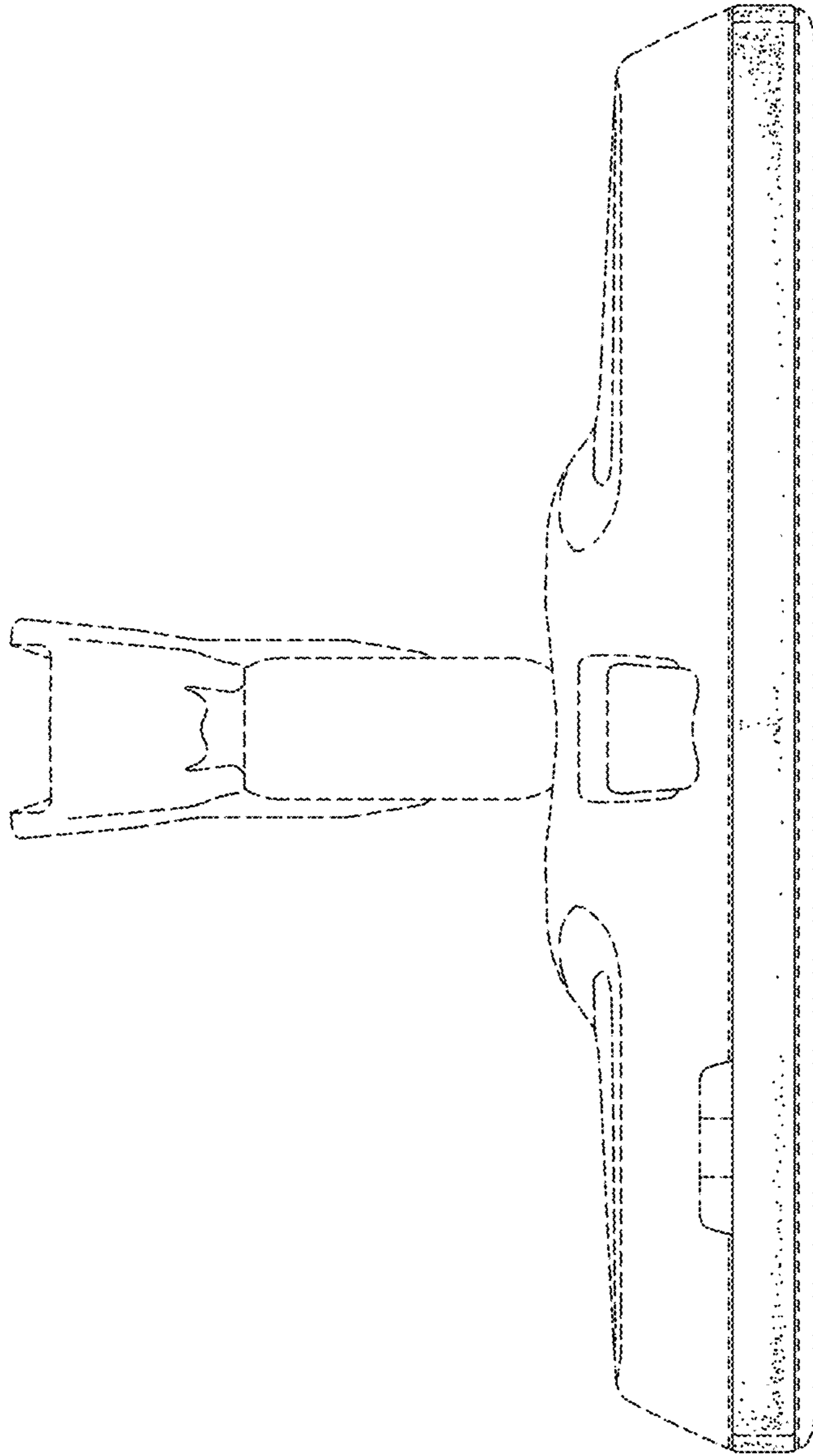


FIG. 7