

US00D797623S

(12) **United States Design Patent** (10) **Patent No.:** **US D797,623 S**  
**Kim** (45) **Date of Patent:** **\*\* Sep. 19, 2017**

(54) **FENDER PANEL OF CAR**  
(71) Applicant: **GM GLOBAL TECHNOLOGY OPERATIONS LLC**, Detroit, MI (US)  
(72) Inventor: **Jihyun Kim**, Seoul (KR)  
(73) Assignee: **GM GLOBAL TECHNOLOGY OPERATIONS LLC**, Detroit, MI (US)

D755,096 S \* 5/2016 Wolff ..... D12/184  
D758,935 S \* 6/2016 Platto ..... D12/184  
D764,362 S \* 8/2016 Pevovar ..... D12/184  
D766,149 S \* 9/2016 Kim ..... D12/184  
D767,460 S \* 9/2016 Kozub ..... D12/196  
D769,162 S \* 10/2016 Rodriguez ..... D12/184  
D773,361 S \* 12/2016 Kim ..... D12/181  
D775,031 S \* 12/2016 Frascella ..... D12/184  
D781,192 S \* 3/2017 Kozub ..... D12/181  
D785,521 S \* 5/2017 Smith ..... D12/181

(\*\*) Term: **15 Years**

\* cited by examiner

(21) Appl. No.: **29/572,507**

*Primary Examiner* — Rosemary K Tarcza

*Assistant Examiner* — Yolanda Robinson

(22) Filed: **Jul. 28, 2016**

(74) *Attorney, Agent, or Firm* — Browdy and Neimark, PLLC

(30) **Foreign Application Priority Data**

Feb. 12, 2016 (KR) ..... 30-2016-0006598

(51) **LOC (10) Cl.** ..... **12-16**

(52) **U.S. Cl.**  
USPC ..... **D12/184**

(58) **Field of Classification Search**  
USPC ..... D12/88, 90, 91, 92, 181, 184, 196, 400;  
D21/424, 433, 434; 280/727, 770, 847,  
280/848, 849; 296/181.1, 181.5  
CPC ..... B62D 25/02; B62D 25/04; B62D 25/16;  
B62D 25/161; B62D 25/18; B62D 25/184  
See application file for complete search history.

(56) **References Cited**

**U.S. PATENT DOCUMENTS**

D722,930 S \* 2/2015 George ..... D12/184  
D731,373 S \* 6/2015 Howell ..... D12/184

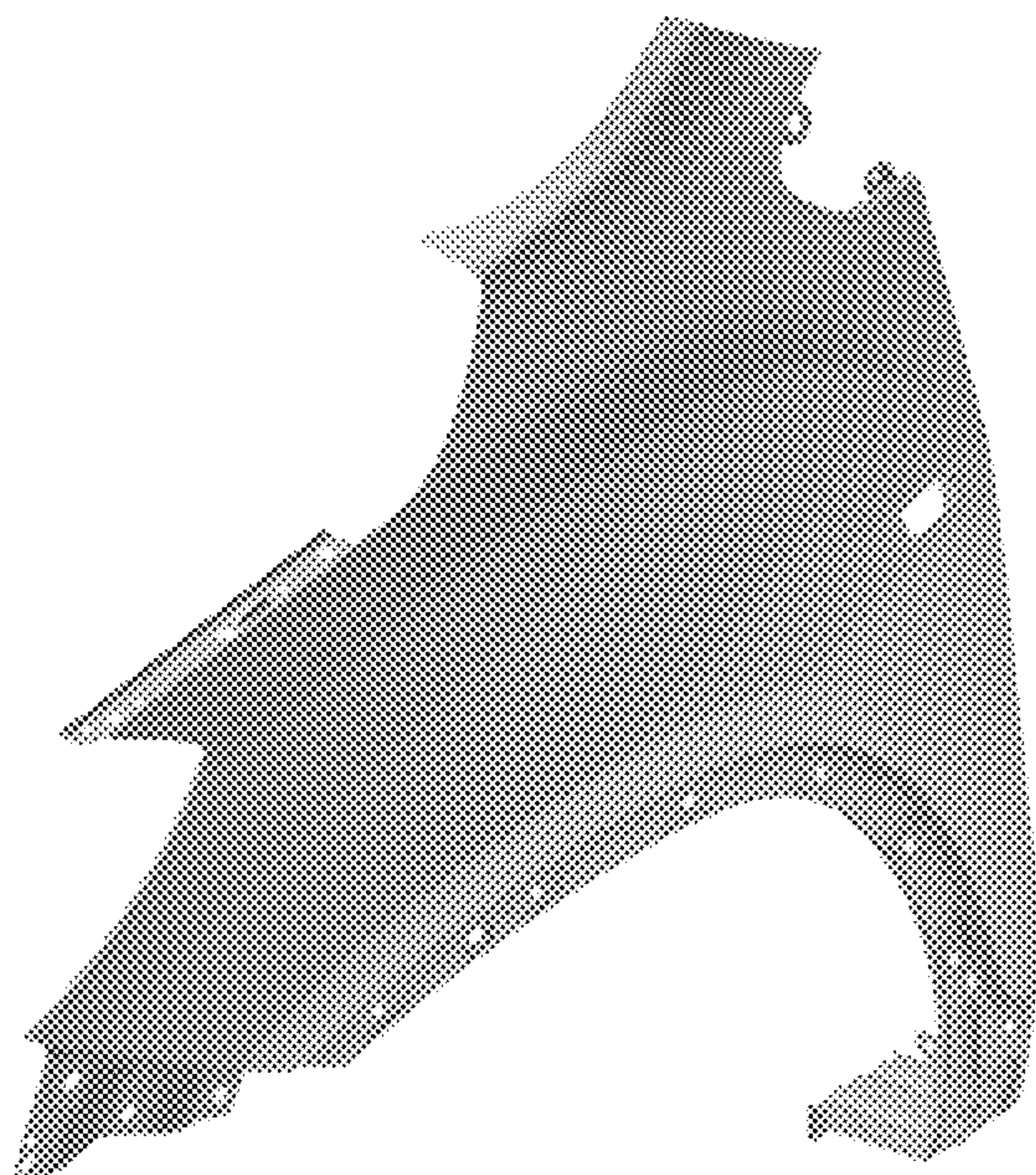
(57) **CLAIM**

The ornamental design for a fender panel of car, as shown and described.

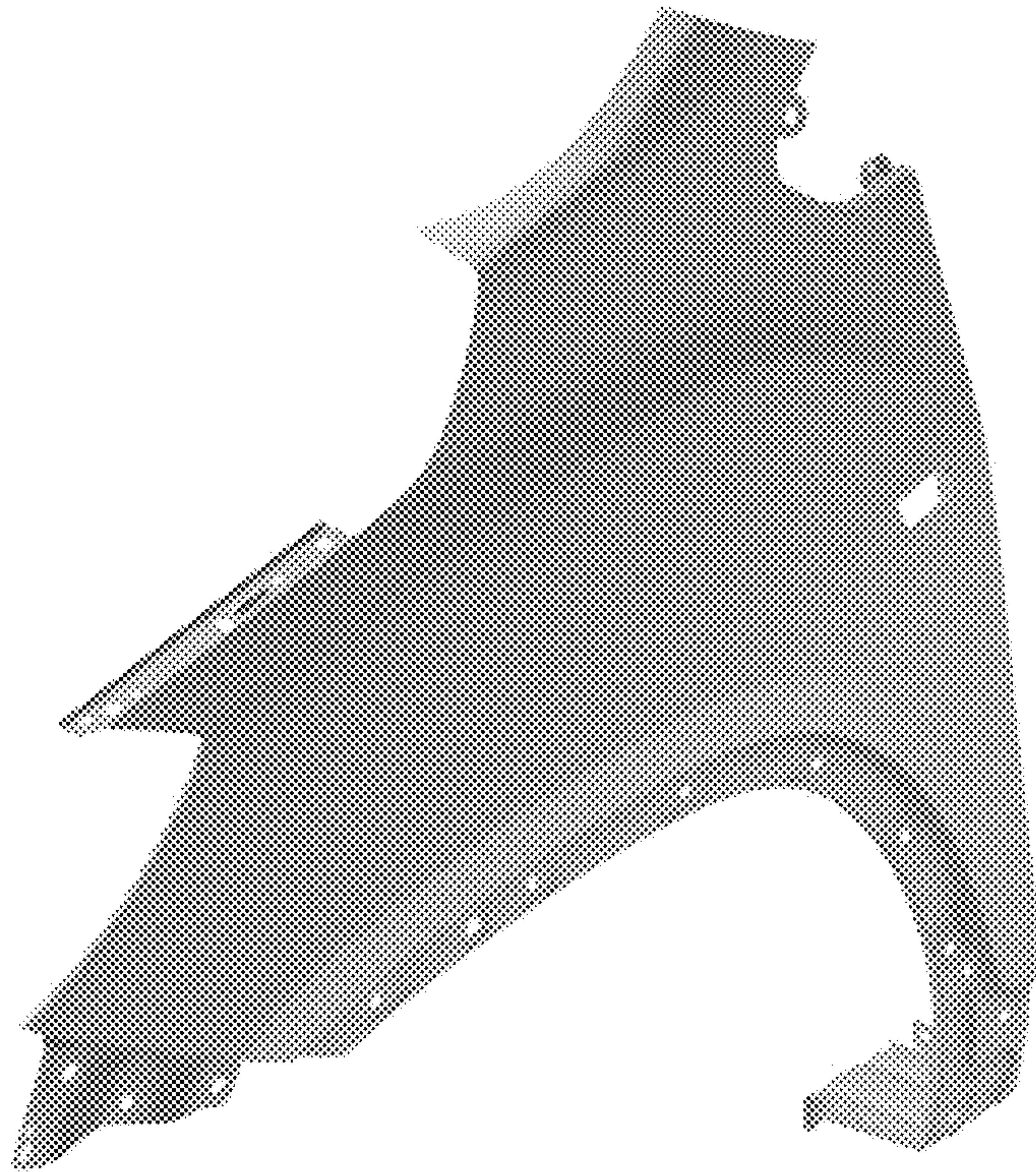
**DESCRIPTION**

FIG. 1 is a perspective view of new design for the right fender panel of car as shown in the drawings (the left fender panel of car being a mirror image and is not shown); FIG. 2 is a front elevation view thereof; FIG. 3 is a rear elevation view thereof; FIG. 4 is a left side elevation view thereof; FIG. 5 is a right side elevation view thereof; FIG. 6 is a top plan view thereof; and, FIG. 7 is a bottom plan view thereof.

**1 Claim, 6 Drawing Sheets**



**Fig. 1**



**Fig. 2**

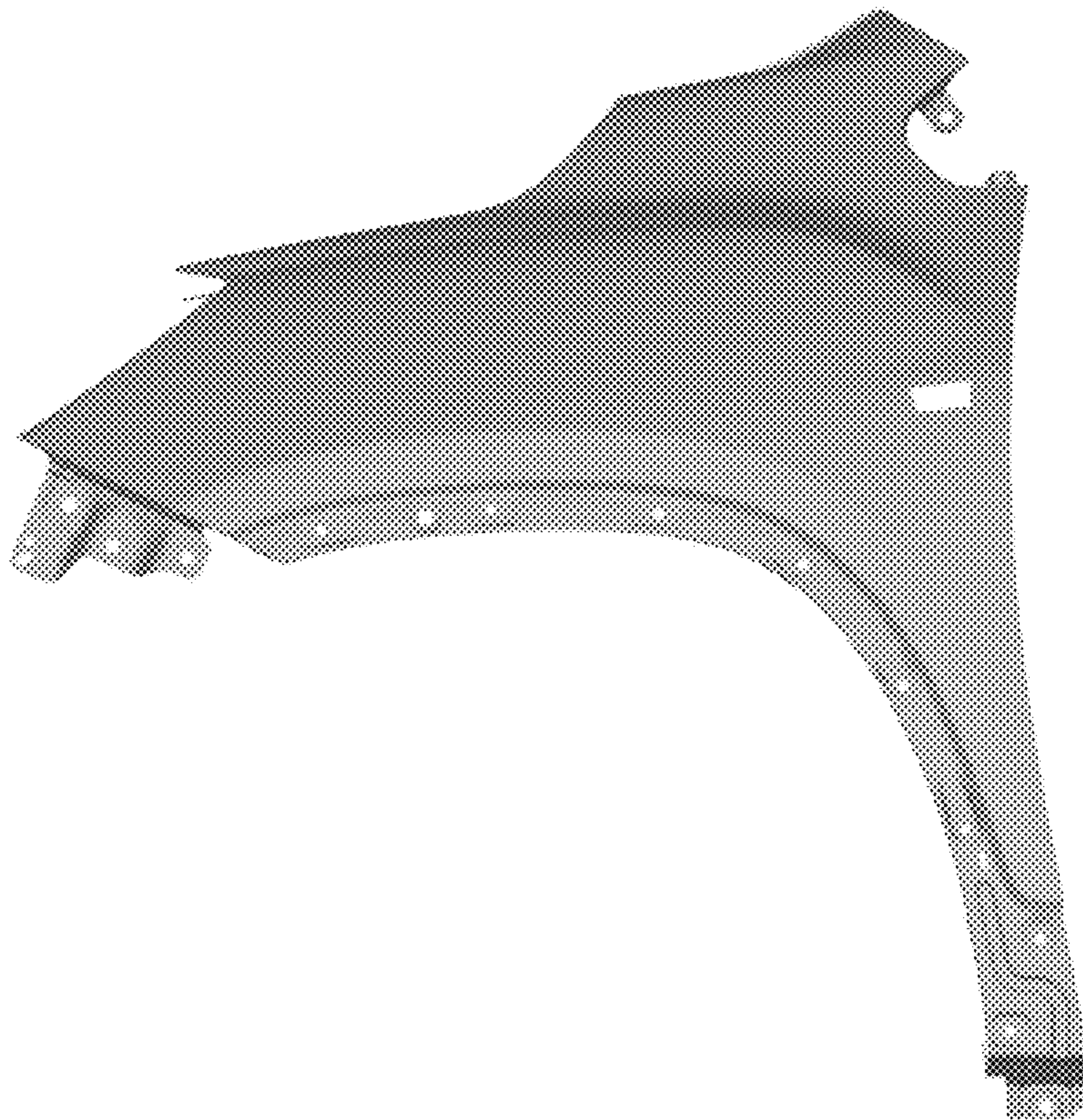
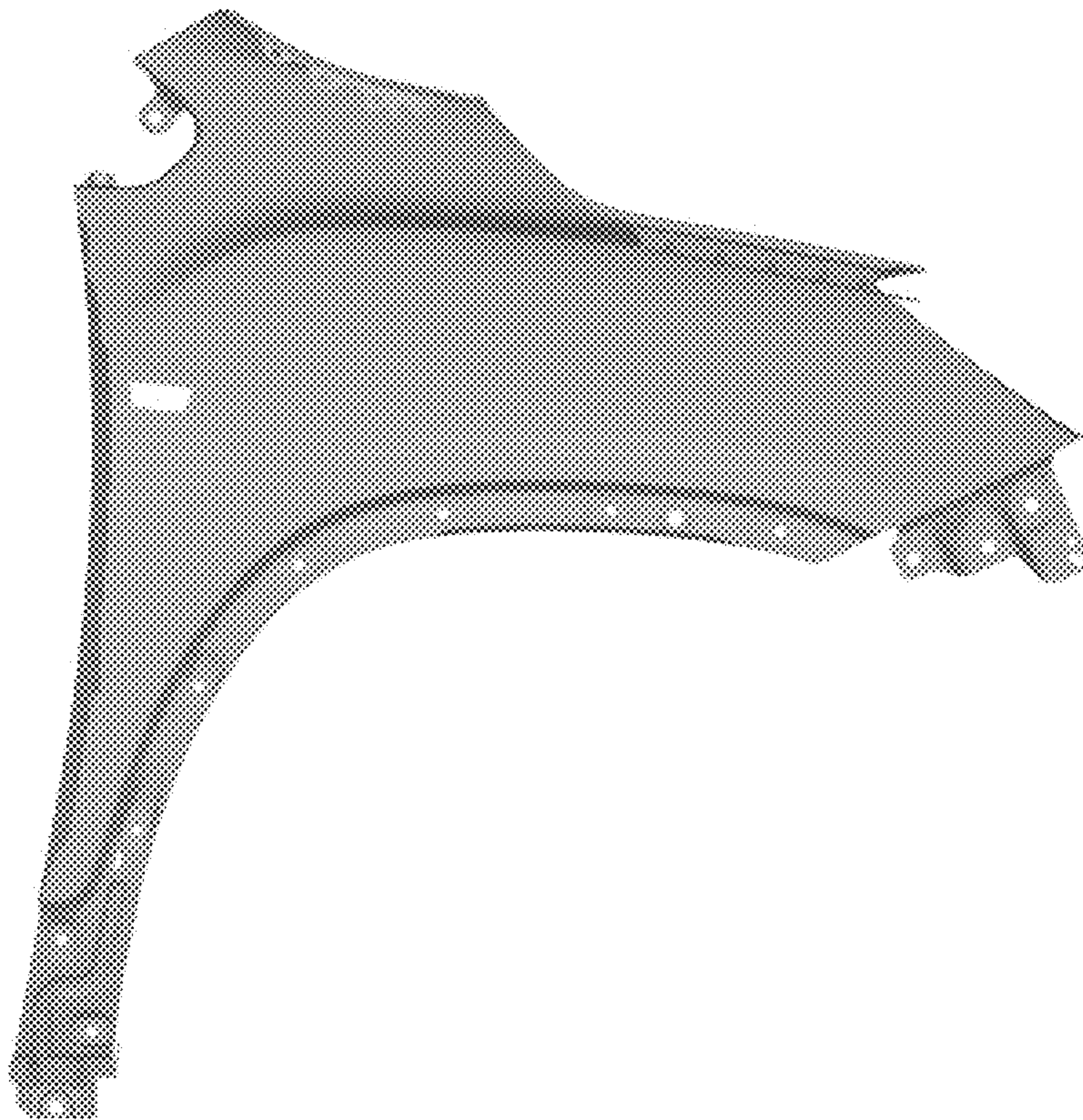




Fig. 3



**Fig. 4**



**Fig. 5**

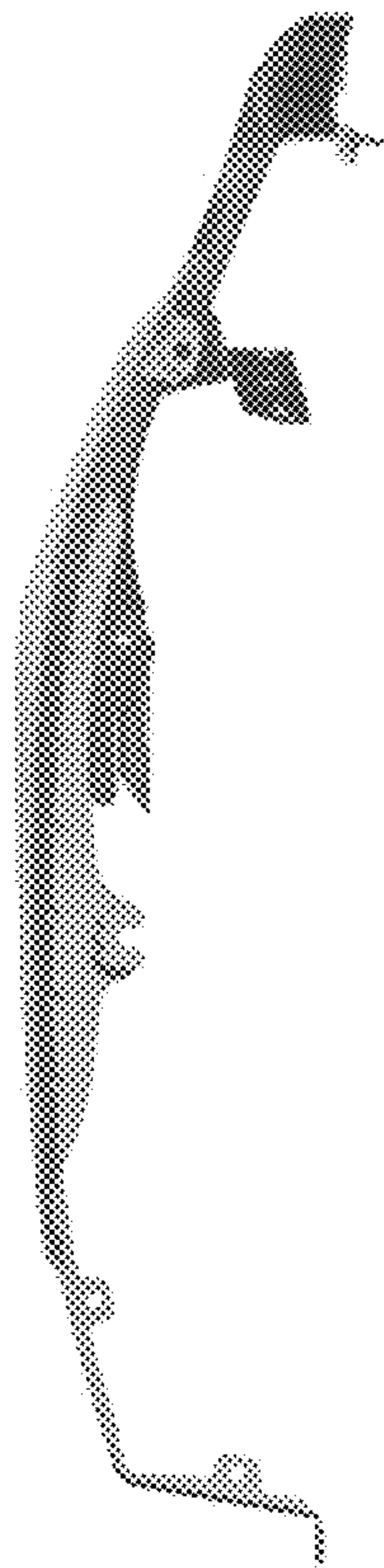


Fig. 6



Fig. 7

