



US00D797621S

(12) **United States Design Patent** (10) **Patent No.:** **US D797,621 S**
Ogawa et al. (45) **Date of Patent:** **** Sep. 19, 2017**

- (54) **STEERING WHEEL**
- (71) Applicant: **Honda Motor Co., Ltd.**, Minato-ku,
Tokyo (JP)
- (72) Inventors: **Yasunori Ogawa**, Raymond, OH (US);
Michael Wiedeman, Rancho Palos
Verdes, CA (US)
- (73) Assignee: **HONDA MOTOR CO., LTD.**, Tokyo
(JP)
- (**) Term: **15 Years**
- (21) Appl. No.: **29/566,224**
- (22) Filed: **May 27, 2016**
- (51) **LOC (10) Cl.** **12-16**
- (52) **U.S. Cl.**
USPC **D12/176**
- (58) **Field of Classification Search**
USPC D12/175, 176; 74/552, 558, 558.5
CPC B60R 21/203; B60R 21/05; B62D 1/04
See application file for complete search history.

D733,627 S *	7/2015	Ishimaru	D12/176
D743,858 S *	11/2015	Sugiura	D12/176
D743,860 S *	11/2015	Nagumo	D12/176
D758,932 S *	6/2016	Schowalter	D12/176

FOREIGN PATENT DOCUMENTS

JP	D1384146 S	4/2010
JP	D1479596 S	9/2013
JP	D1529365 S	7/2015
KR	3008519180000	4/2016

OTHER PUBLICATIONS

Taiwanese Search Report for related foreign application 105307139 dated Jun. 3, 2017.

* cited by examiner

Primary Examiner — Melody N Brown
(74) *Attorney, Agent, or Firm* — Arent Fox LLP

(57) **CLAIM**

The ornamental design for a steering wheel, as shown and described.

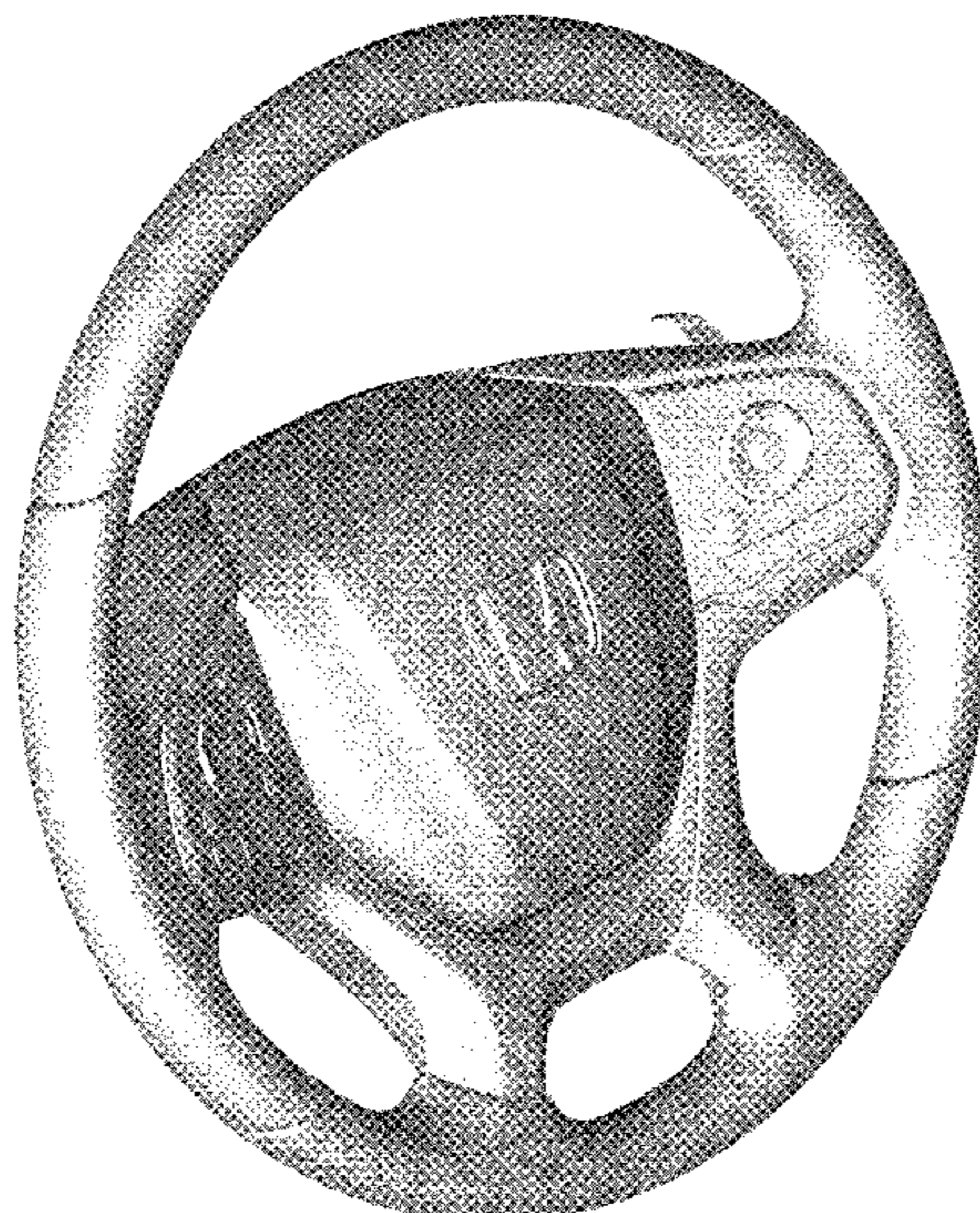
DESCRIPTION

FIG. 1 is a front and right side perspective view of a steering wheel showing our new design;
 FIG. 2 is a front and left side perspective view of the design shown in FIG. 1;
 FIG. 3 is a rear and left side perspective view of the design shown in FIG. 1;
 FIG. 4 is a rear and right side perspective view of the design shown in FIG. 1.
 FIG. 5 is a front view of the design shown in FIG. 1;
 FIG. 6 is a rear view of the design shown in FIG. 1;
 FIG. 7 is a left side view of the design shown in FIG. 1;
 FIG. 8 is a right side view of the design shown in FIG. 1;
 FIG. 9 is a top view of the design shown in FIG. 1; and,
 FIG. 10 is a bottom view of the design shown in FIG. 1.

1 Claim, 10 Drawing Sheets

(56) **References Cited**
U.S. PATENT DOCUMENTS

D534,465 S *	1/2007	Wiedeman	D12/176
D583,735 S *	12/2008	Wyszogrod	D12/176
D630,983 S *	1/2011	Frank	D12/176
D635,069 S *	3/2011	Klein	D12/176
D635,900 S *	4/2011	Anzi	D12/176
D672,293 S *	12/2012	Toyama	D12/176
D688,606 S *	8/2013	Balko	D12/176
D692,813 S *	11/2013	Koyama	D12/175
D696,991 S *	1/2014	Bose	D12/176
D696,992 S *	1/2014	Pohanka	D12/176
D708,556 S *	7/2014	Mito	D12/176
D709,006 S *	7/2014	Busse	D12/176
D710,769 S *	8/2014	Cheung	D12/176
D713,307 S *	9/2014	Kanki	D12/176
D727,226 S *	4/2015	Mayerle	D12/176



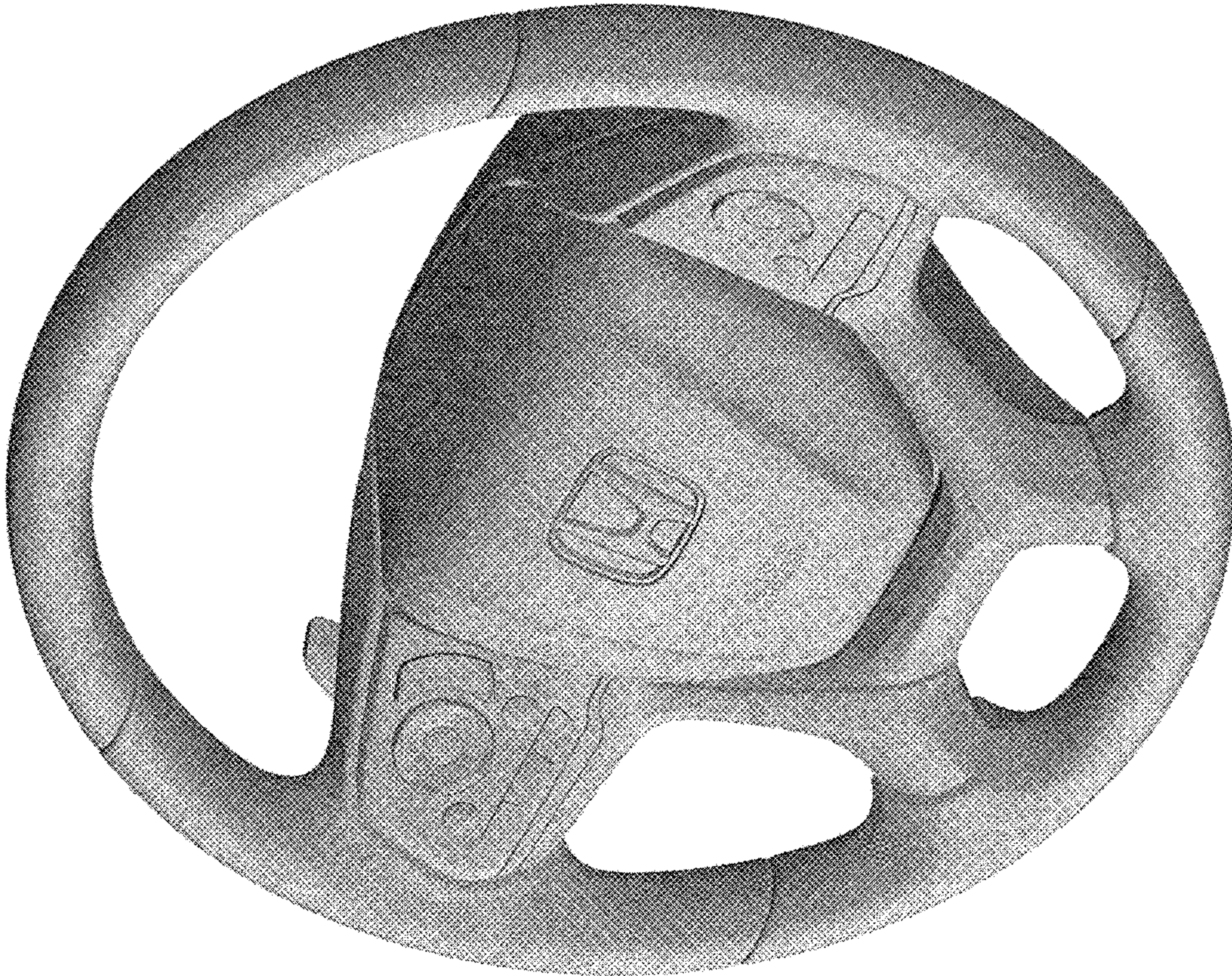


FIGURE 1



FIGURE 2

FIGURE 3



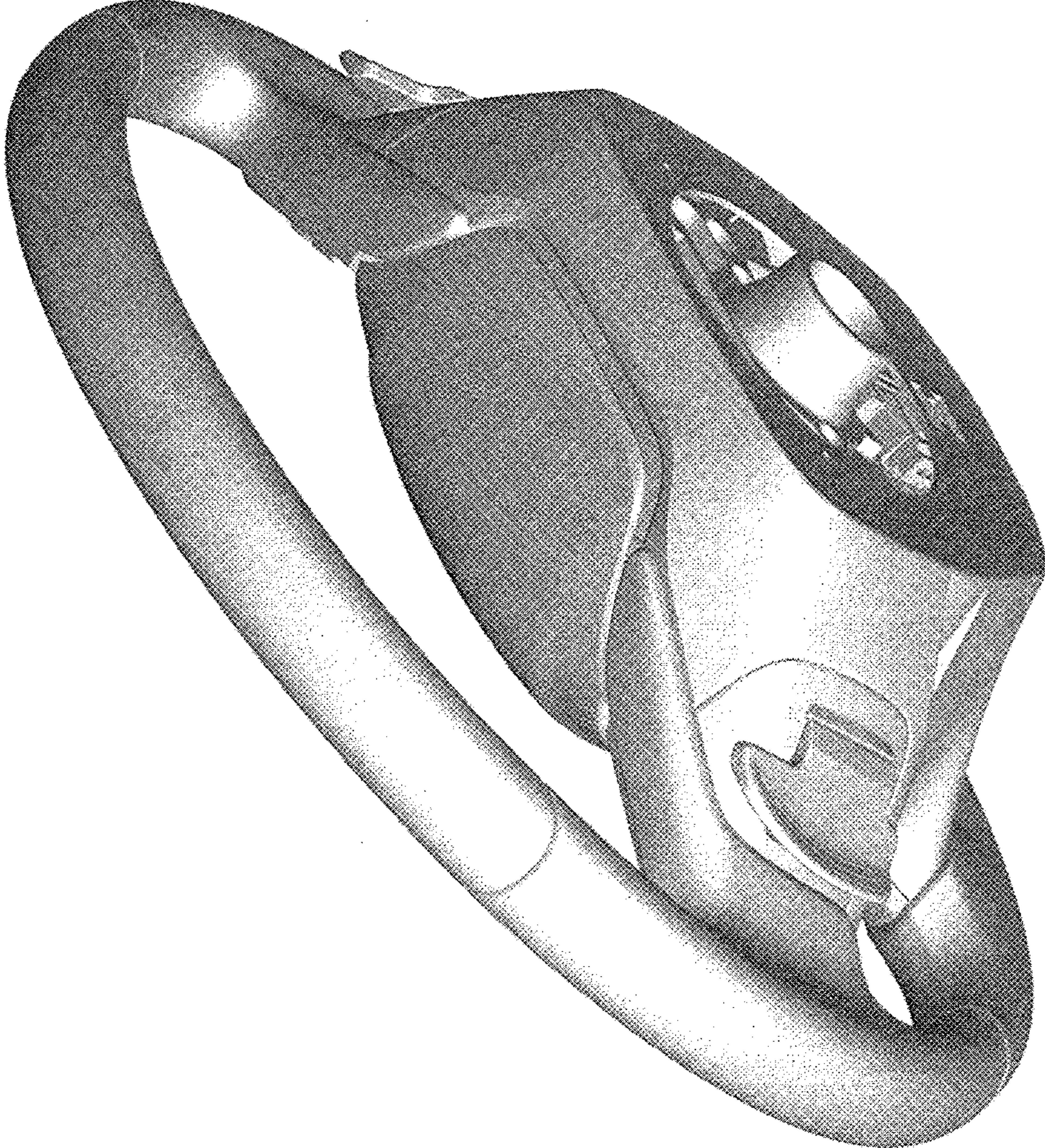


FIGURE 4

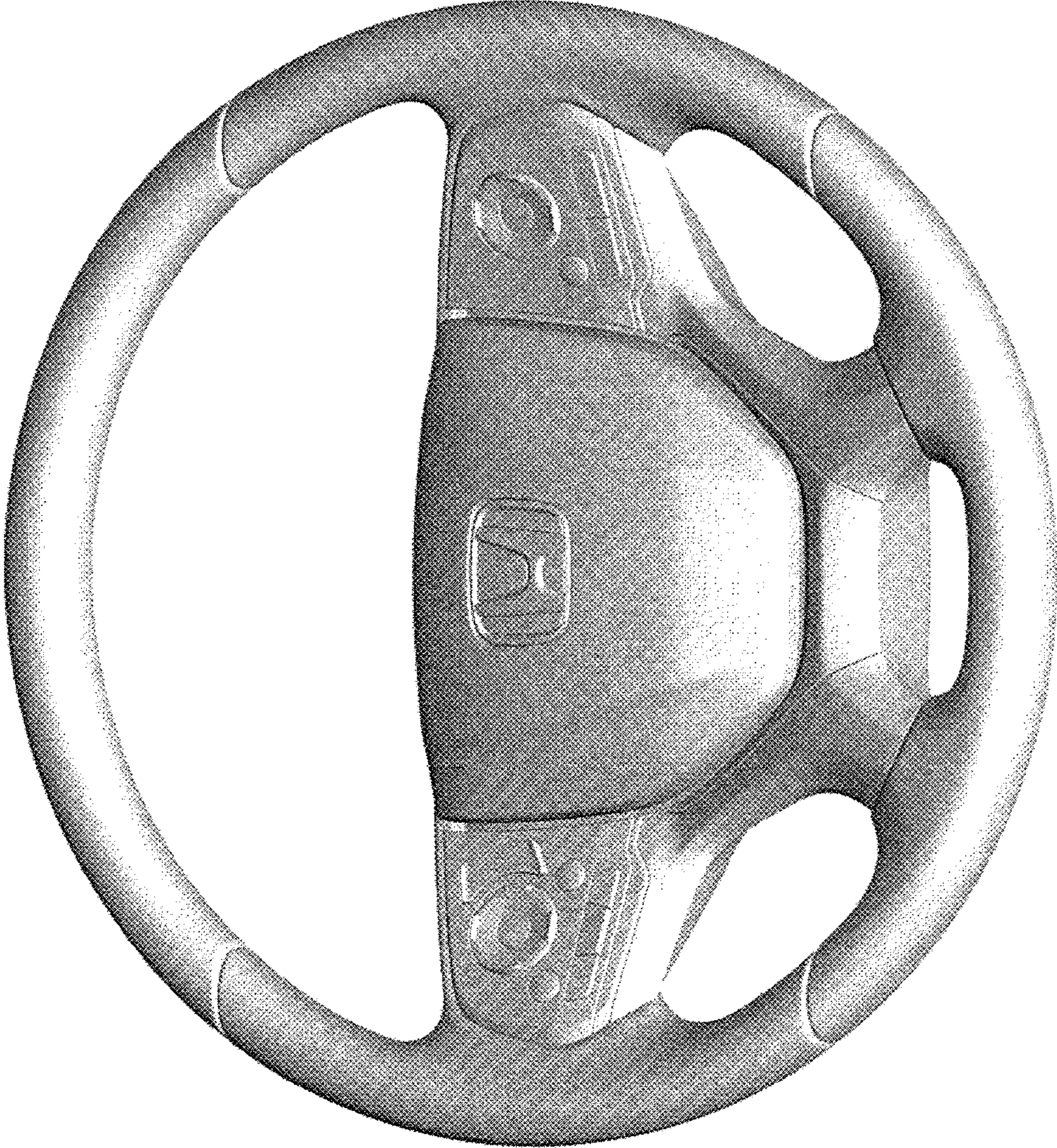


FIGURE 5

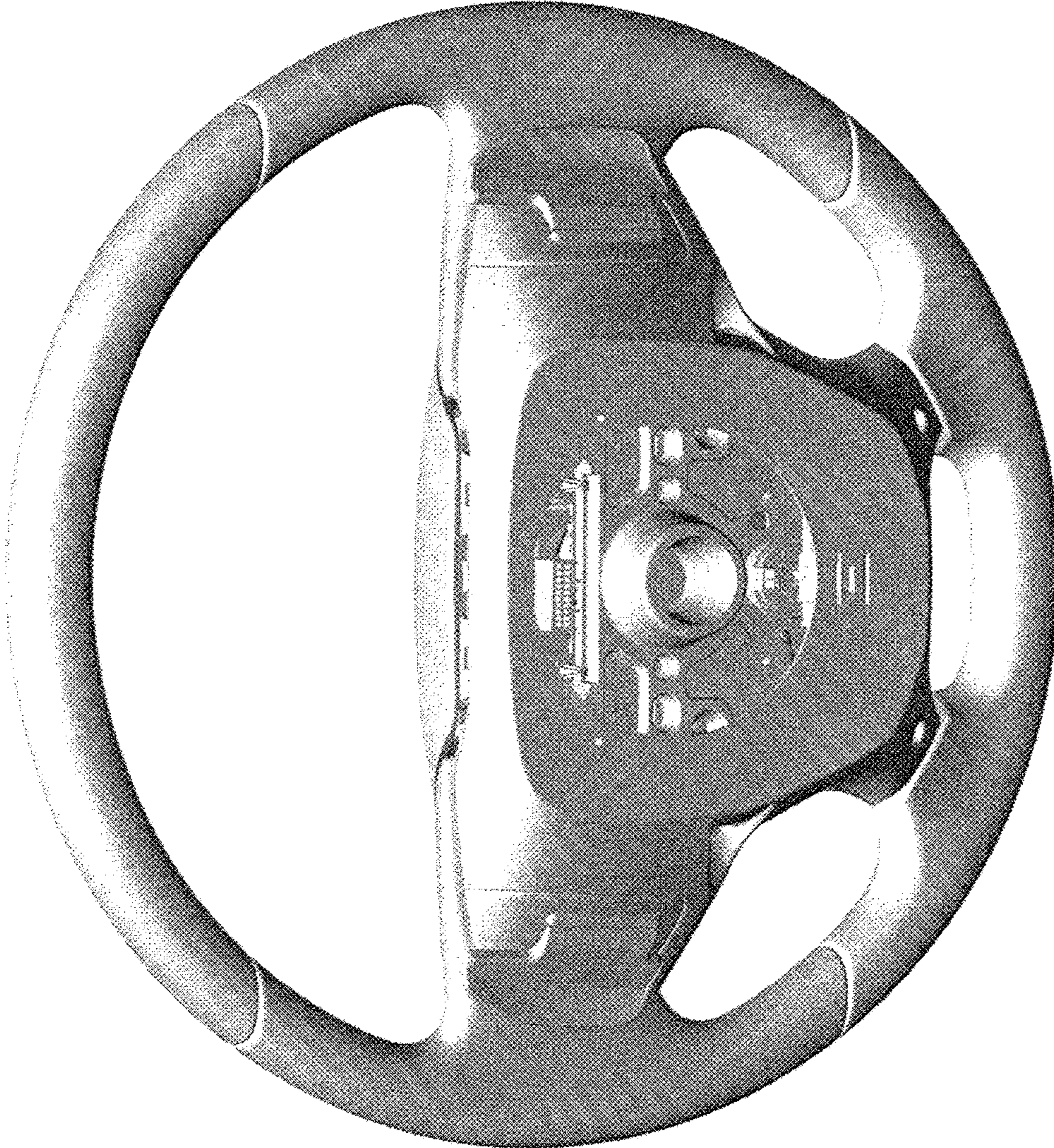
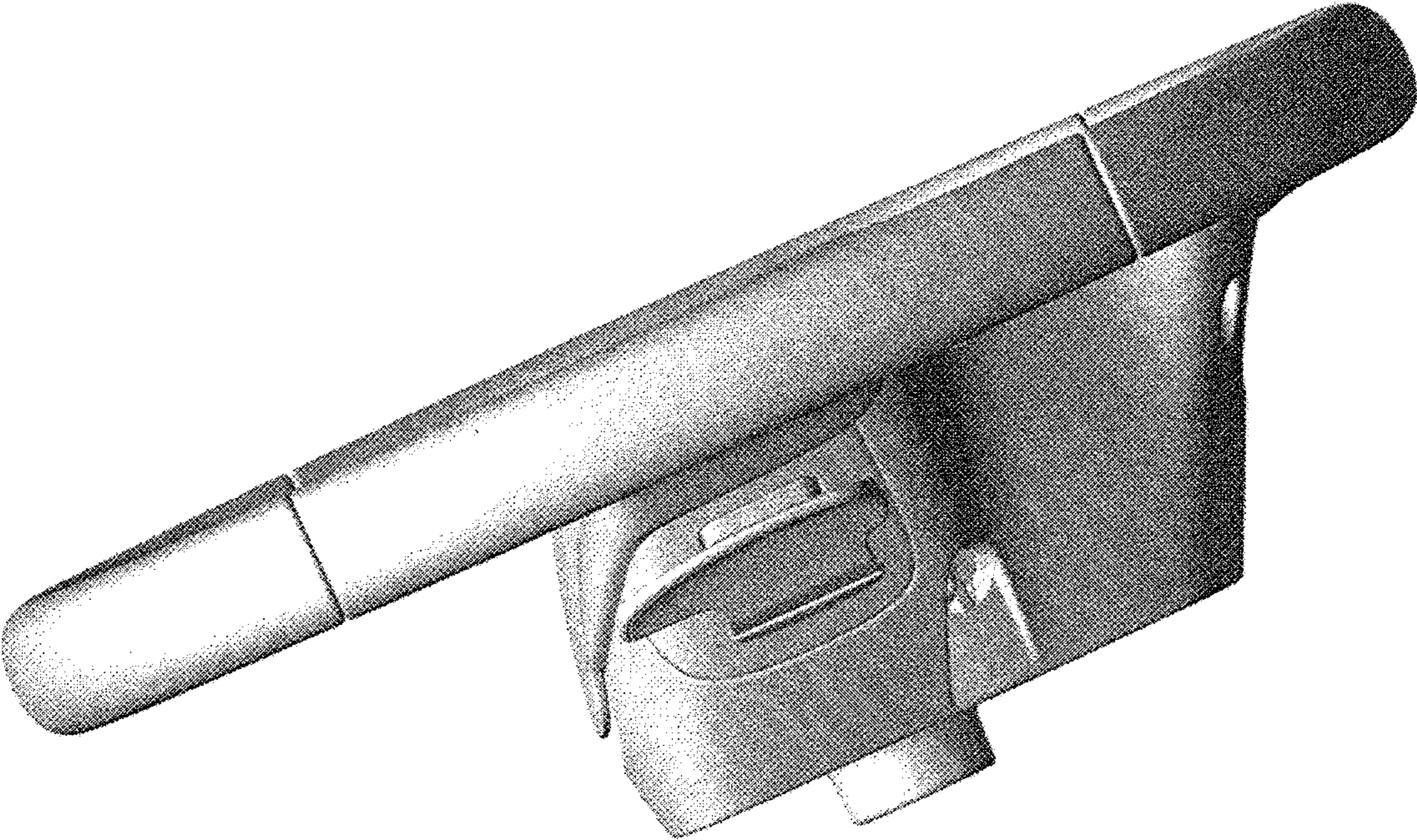


FIGURE 6

FIGURE 7



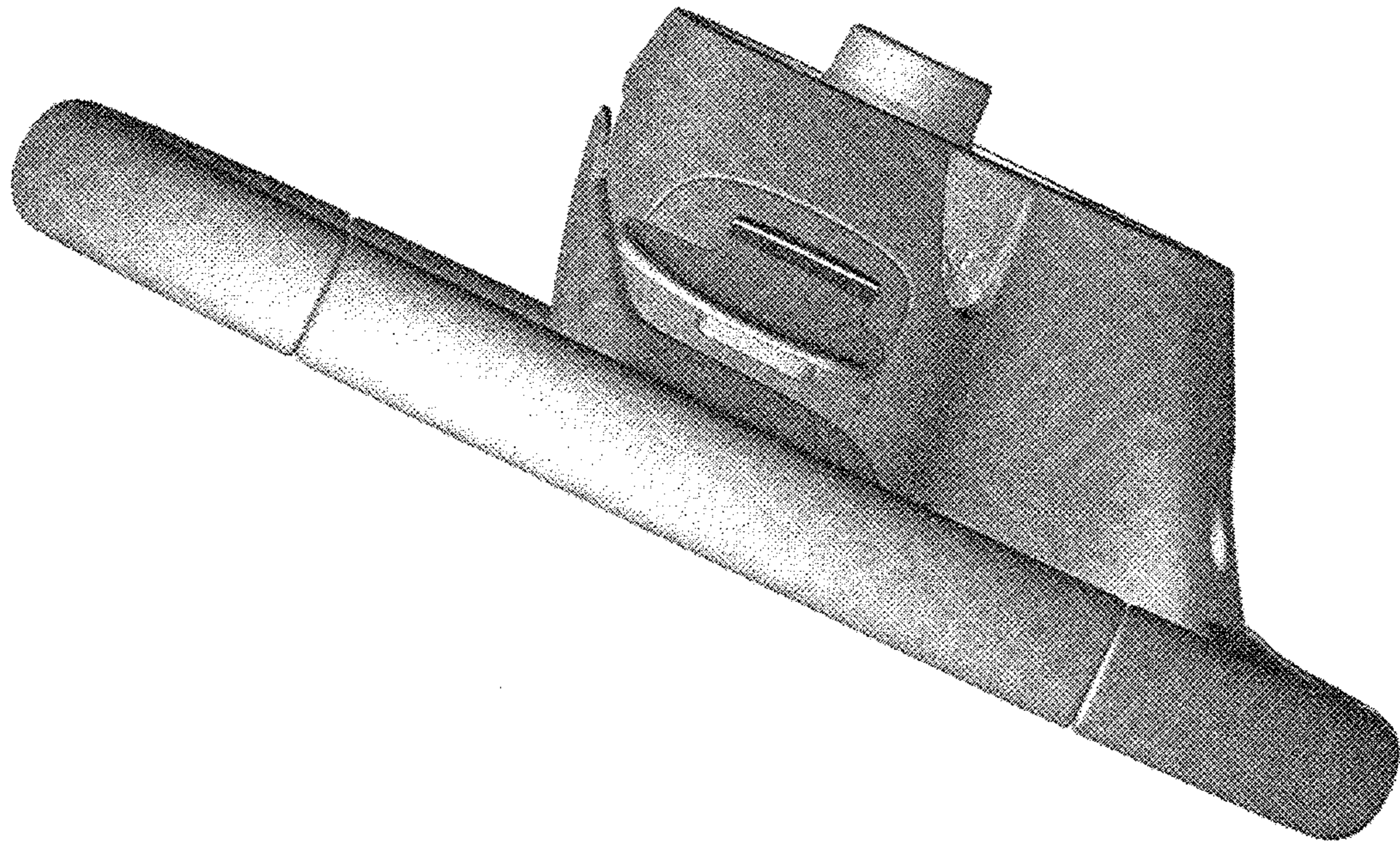


FIGURE 8

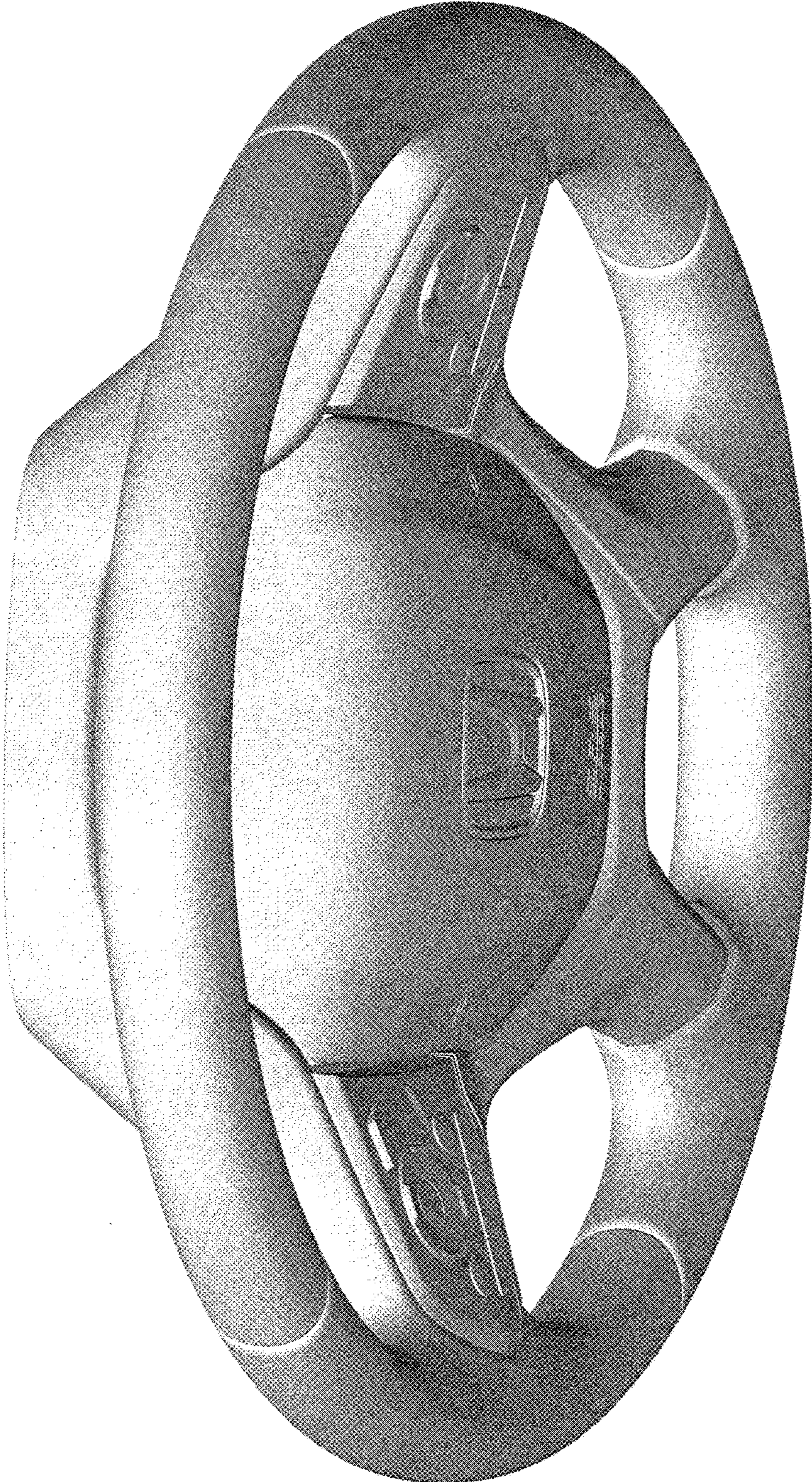


FIGURE 9

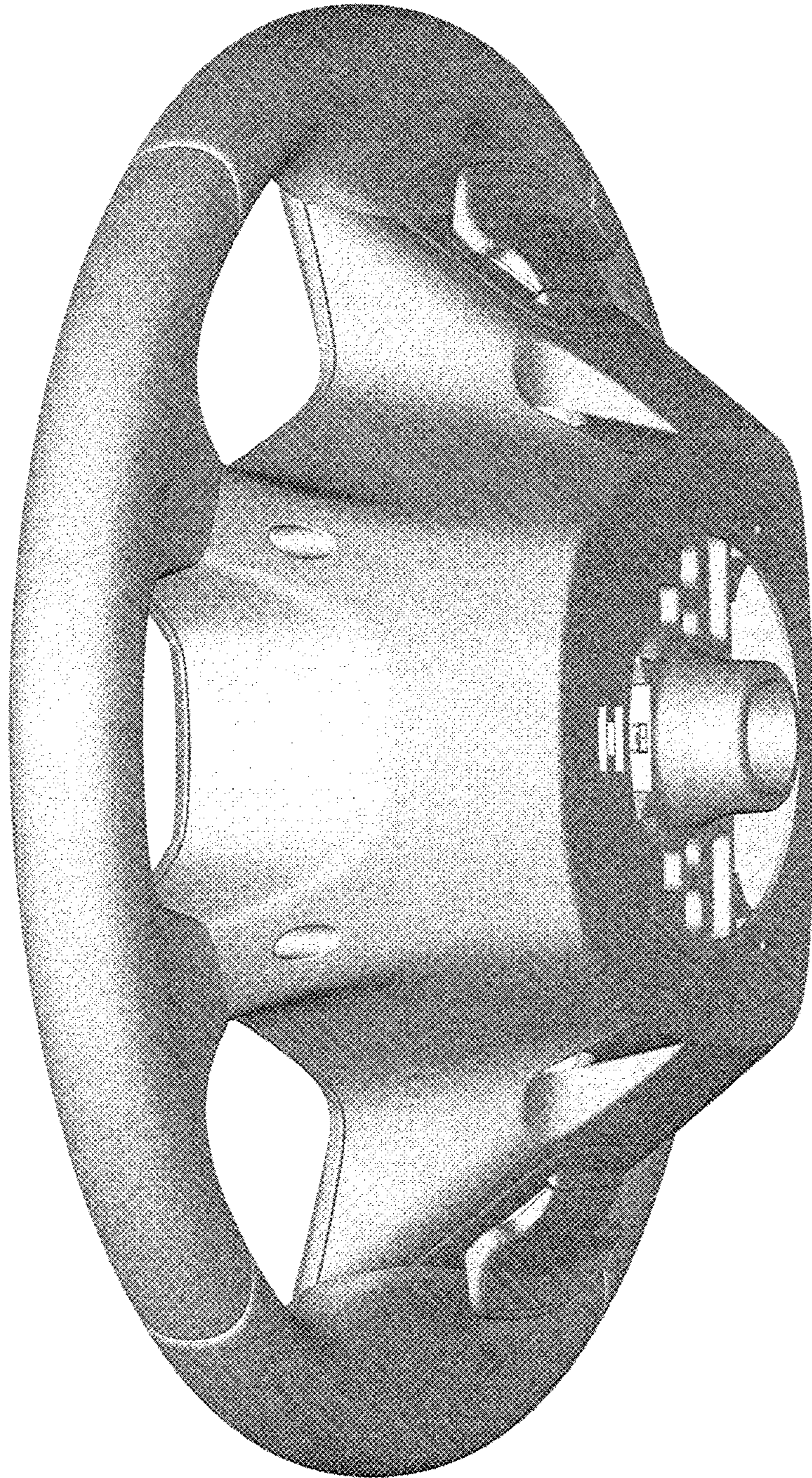


FIGURE 10