



US00D797620S

(12) **United States Design Patent** (10) **Patent No.:** **US D797,620 S**  
**LeFranc** (45) **Date of Patent:** **\*\* Sep. 19, 2017**

(54) **STEERING WHEEL**  
(71) Applicant: **Faraday & Future Inc.**, Gardena, CA (US)

(72) Inventor: **Charles LeFranc**, Topenga, CA (US)

(73) Assignee: **FARADAY & FUTURE INC.**, Gardena, CA (US)

(\*\*) Term: **15 Years**

(21) Appl. No.: **29/559,830**

(22) Filed: **Mar. 31, 2016**

(51) **LOC (10) Cl.** ..... **12-16**

(52) **U.S. Cl.**  
USPC ..... **D12/176**

(58) **Field of Classification Search**  
USPC ..... D12/175, 176; D14/414; D21/333  
CPC ..... B60R 21/203; B60R 21/05; B62D 1/04  
See application file for complete search history.

(56) **References Cited**

U.S. PATENT DOCUMENTS

D345,540 S *	3/1994	Allen	.....	D12/176
D347,612 S *	6/1994	Allen	.....	D12/176
D347,820 S *	6/1994	Plymale	.....	D12/176
D600,612 S *	9/2009	Hwang	.....	D12/176
D619,516 S *	7/2010	Niebuhr	.....	D12/176
D635,070 S *	3/2011	Granata	.....	D12/176
D651,542 S *	1/2012	Nagasawa	.....	D12/176
D653,180 S *	1/2012	Tanaka	.....	D12/176
D707,162 S *	6/2014	Finney	.....	D12/175
D710,271 S *	8/2014	Norman	.....	D12/176
D710,769 S *	8/2014	Cheung	.....	D12/176
D713,307 S *	9/2014	Kanki	.....	D12/176
D716,203 S *	10/2014	Nakai	.....	D12/176
D733,627 S *	7/2015	Ishimaru	.....	D12/176
D737,184 S *	8/2015	Oosuda	.....	D12/175
D741,759 S *	10/2015	Persson	.....	D12/176

D743,860 S *	11/2015	Nagumo	.....	D12/176
D758,932 S *	6/2016	Schowalter	.....	D12/176
2005/0121889 A1 *	6/2005	Enders	.....	B60R 21/203 280/731

\* cited by examiner

*Primary Examiner* — Darlington Ly

(74) *Attorney, Agent, or Firm* — Finnegan, Henderson, Farabow, Garrett & Dunner, LLP

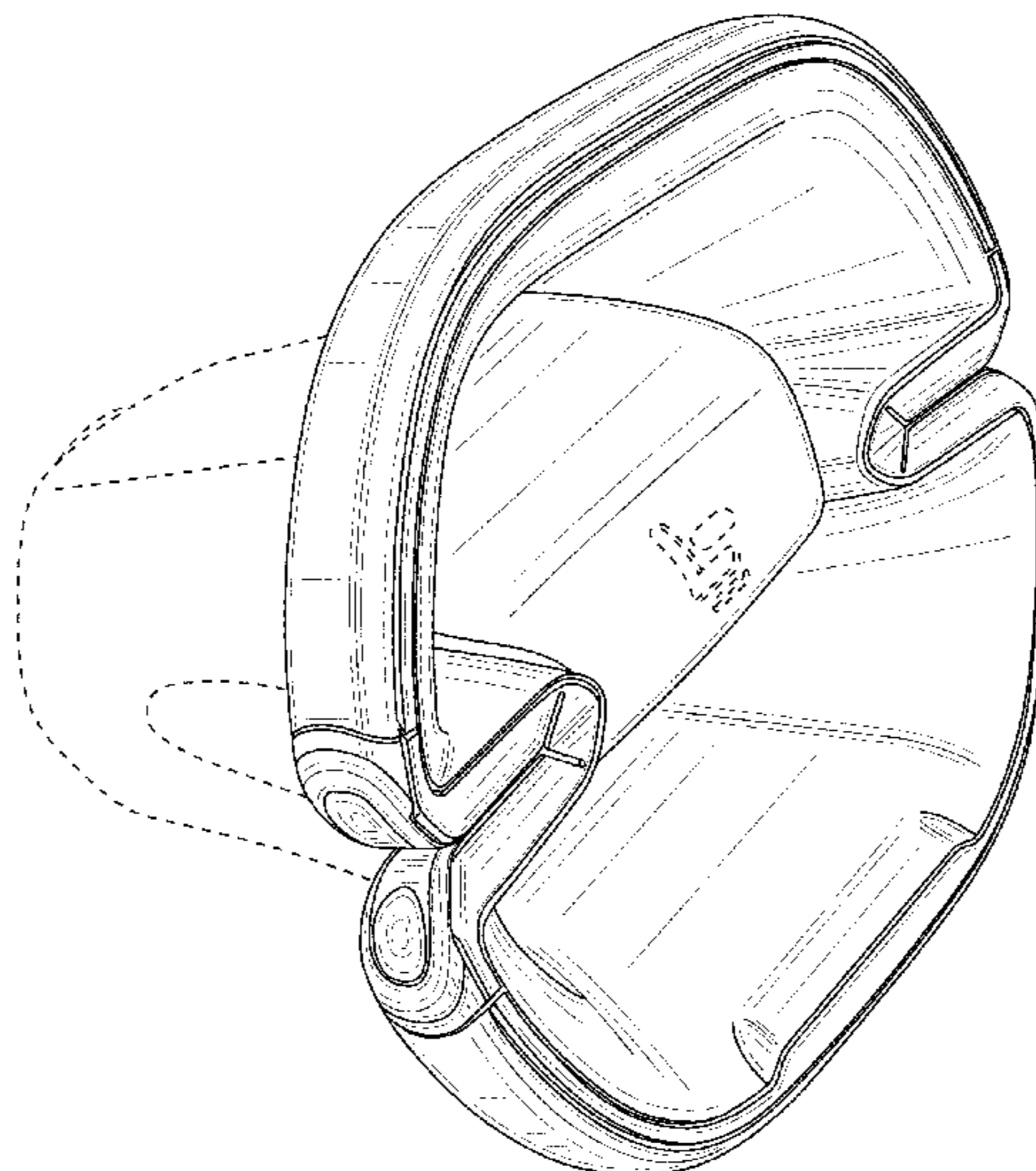
(57) **CLAIM**

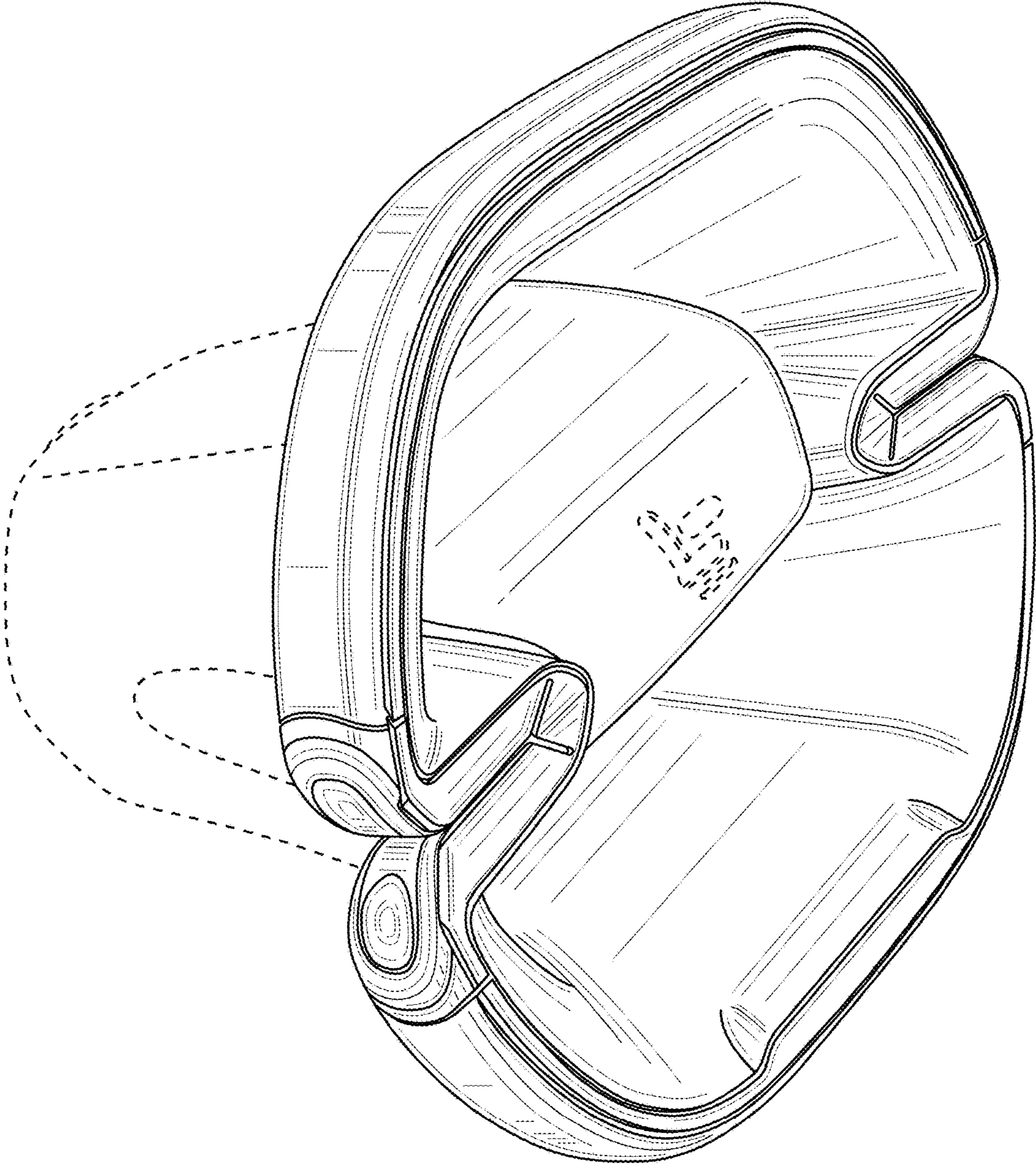
The ornamental design for a steering wheel, as shown and described.

**DESCRIPTION**

FIG. 1 is a top, front, left perspective view of a steering wheel in an open configuration, showing my new design; FIG. 2 is a top, rear, left perspective view thereof; FIG. 3 is a front elevation view thereof; FIG. 4 is a rear elevation view thereof; FIG. 5 is right side view thereof; FIG. 6 is left side view thereof; FIG. 7 is a top plan view thereof; FIG. 8 is a bottom plan view thereof; FIG. 9 is a top, front, left perspective view of the steering wheel in a closed configuration; FIG. 10 is a top, rear, left perspective view thereof; FIG. 11 is a front elevation view thereof; FIG. 12 is a rear elevation view thereof; FIG. 13 is right side view thereof; FIG. 14 is left side view thereof; FIG. 15 is a top plan view thereof; and, FIG. 16 is a bottom plan view thereof. The broken lines of even length shown in the drawings illustrate portions of the steering wheel that form no part of the claimed design. The uneven length broken lines illustrate the boundary of the claimed design and form no part thereof.

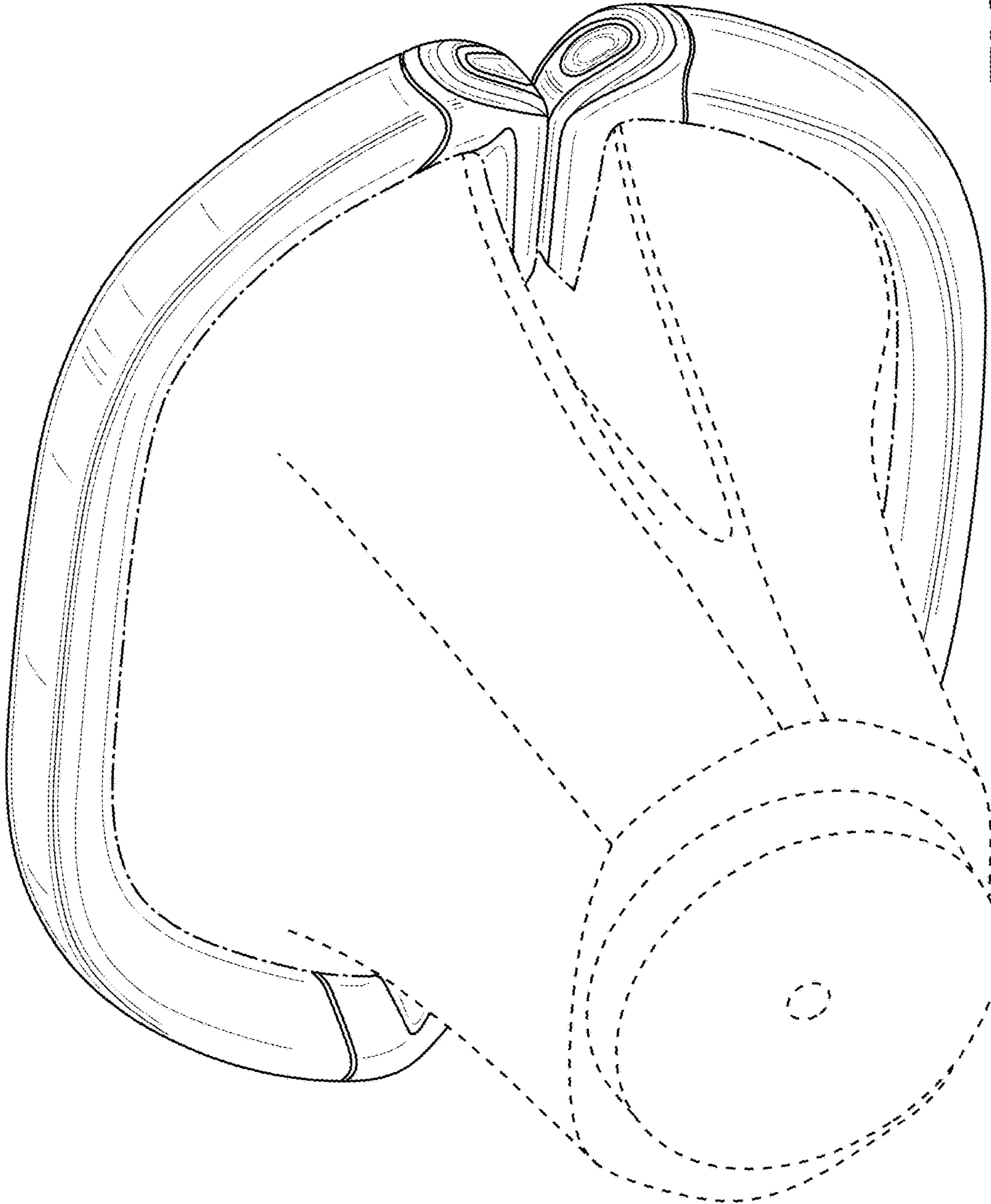
**1 Claim, 15 Drawing Sheets**





**FIG. 1**





**FIG. 2**

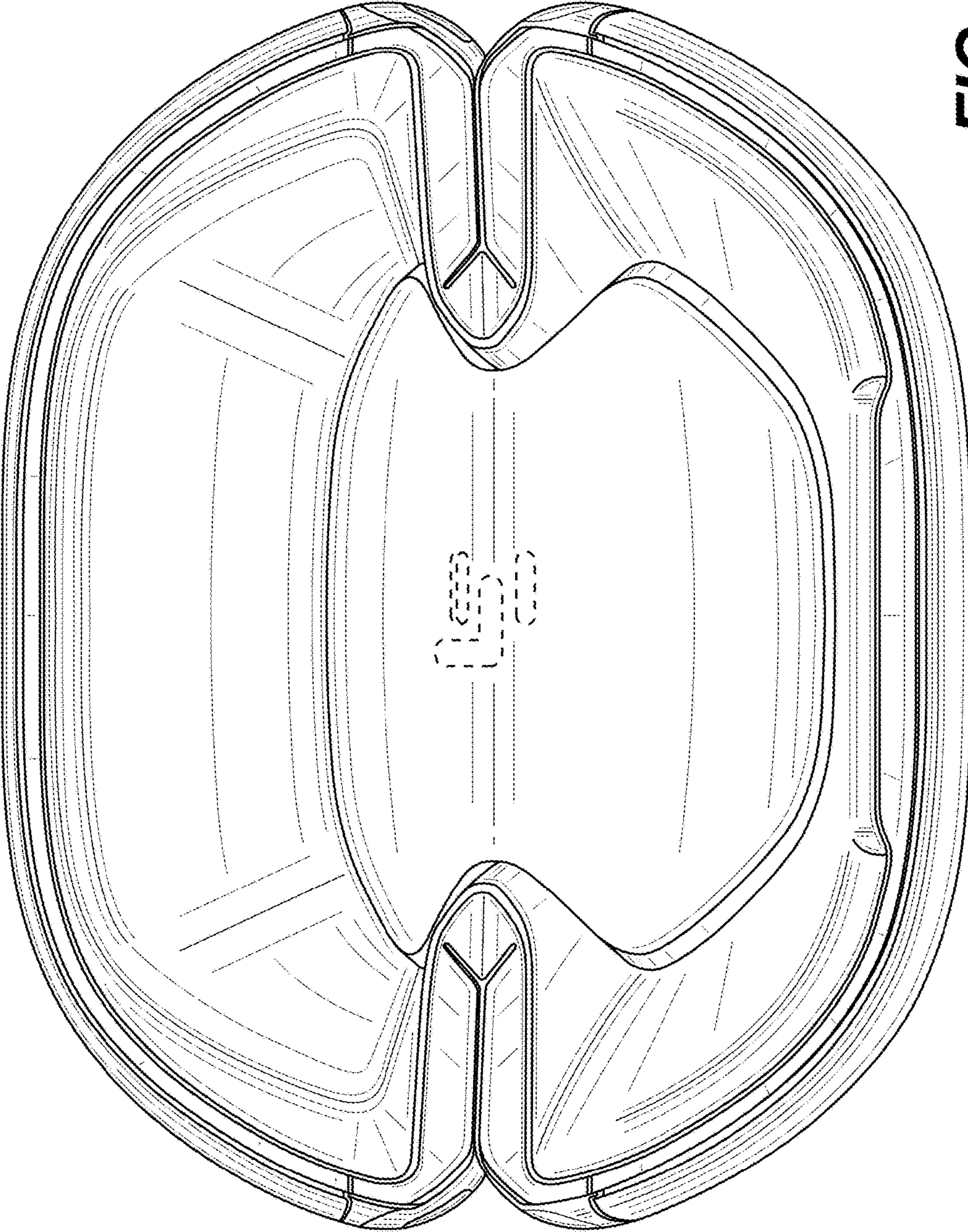
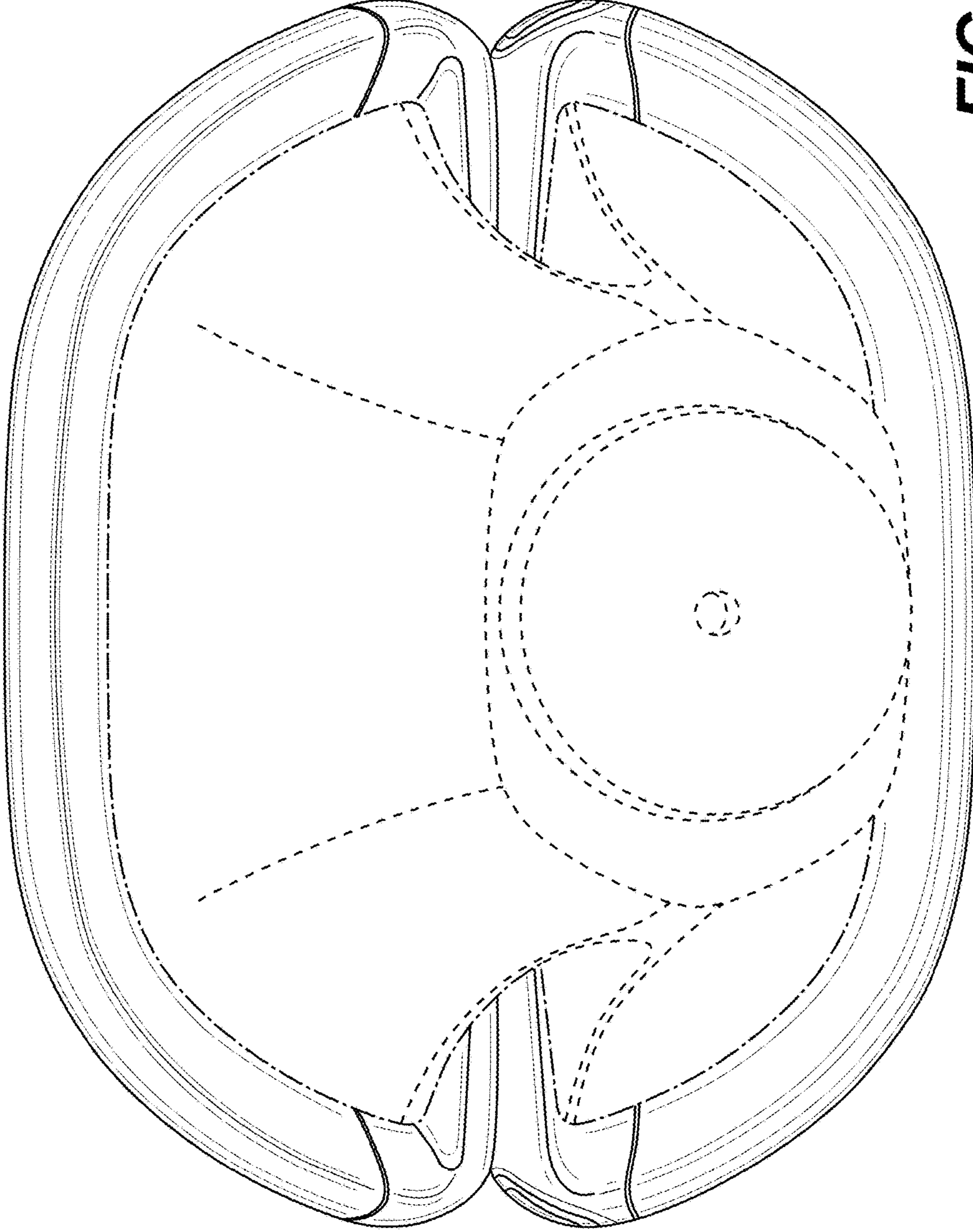
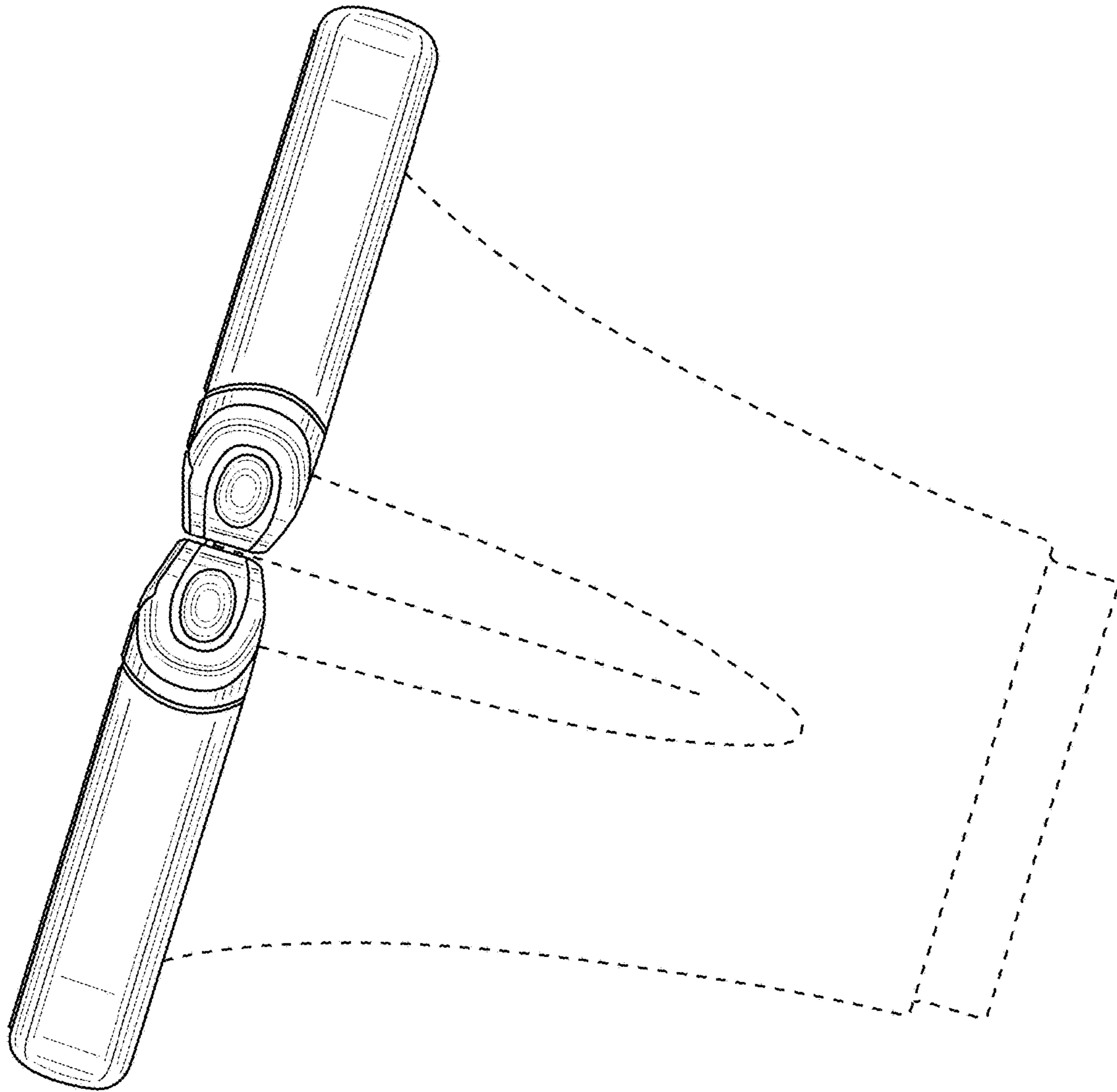


FIG. 3

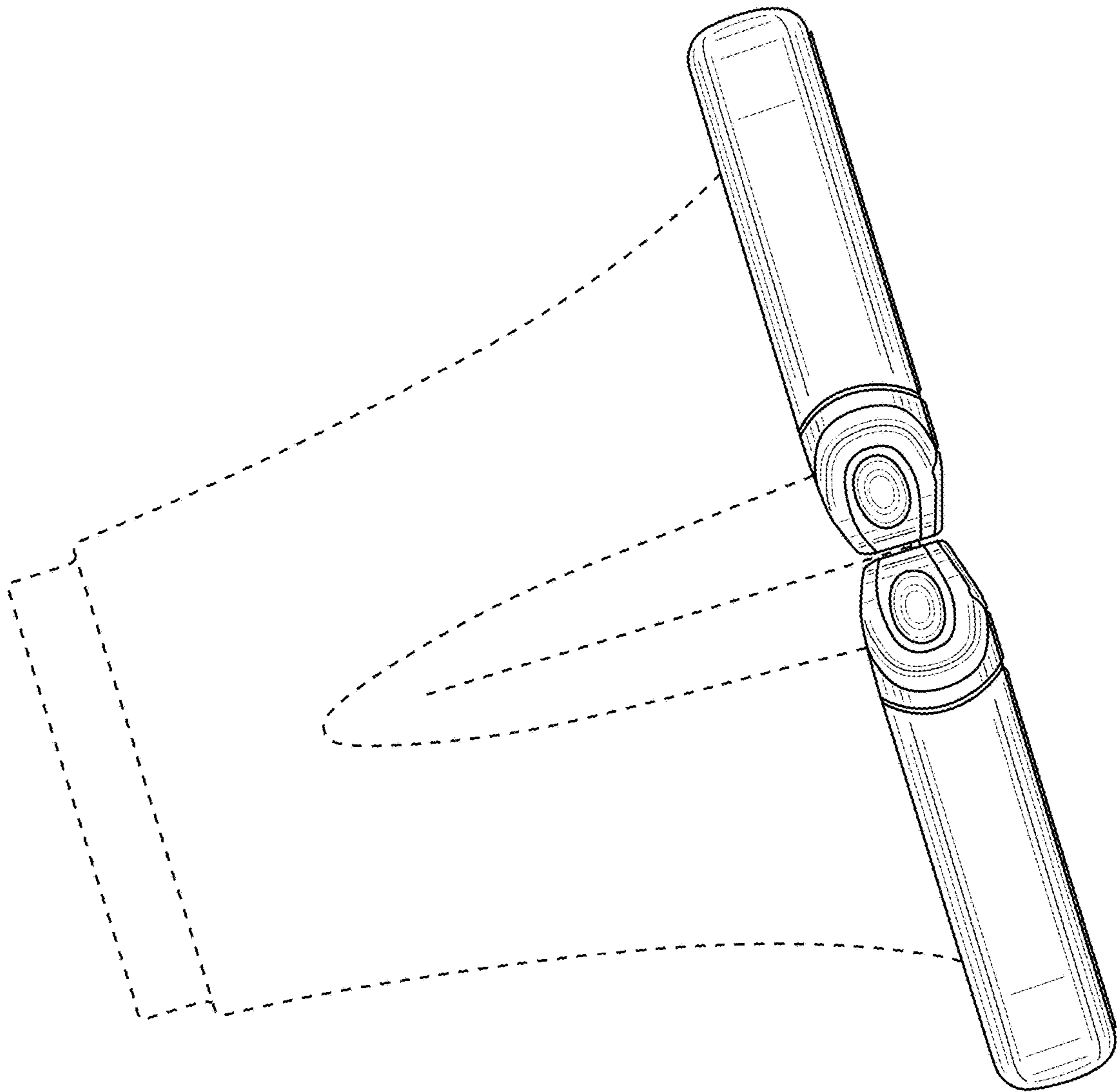


**FIG. 4**

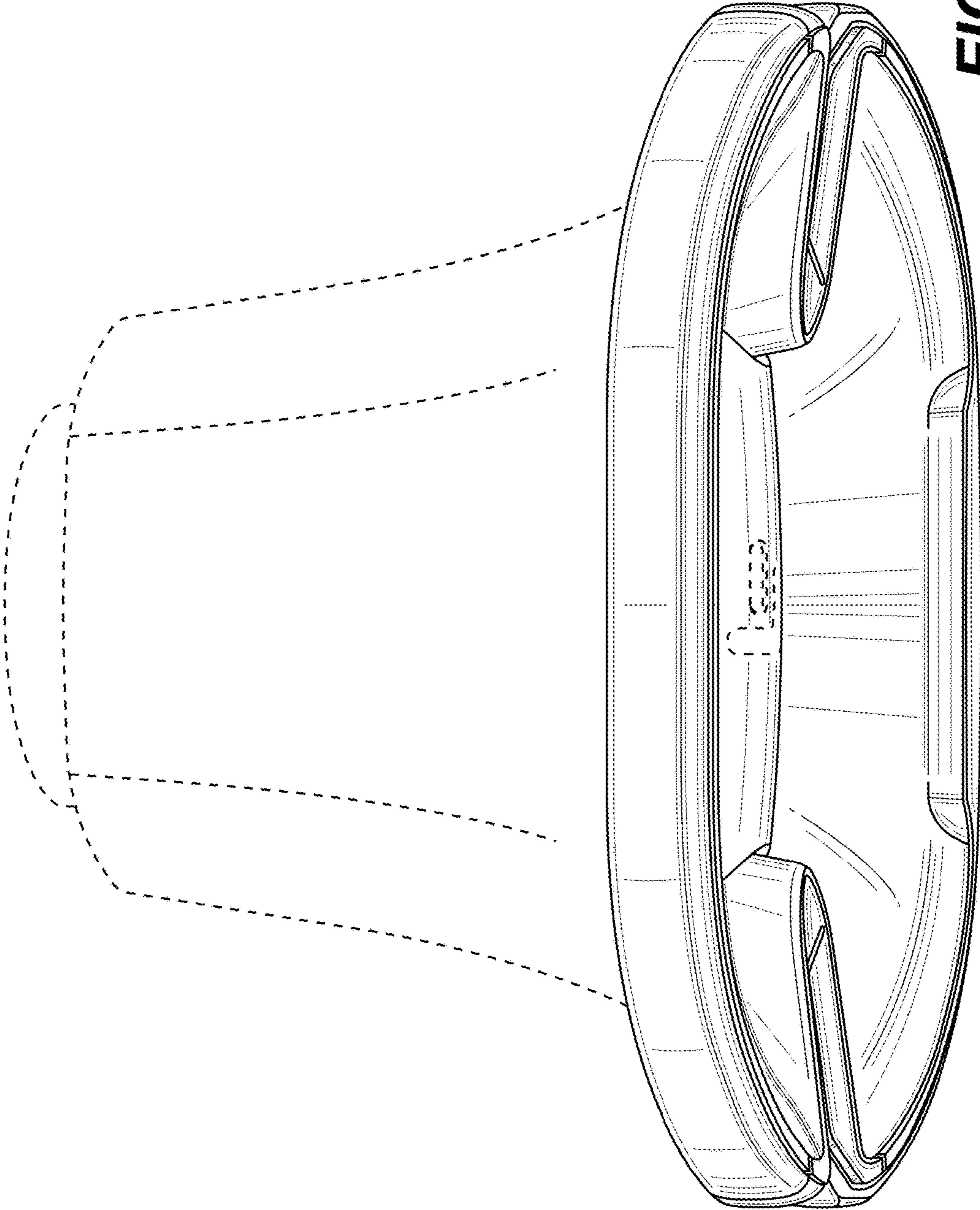




**FIG. 5**



**FIG. 6**



**FIG. 7**



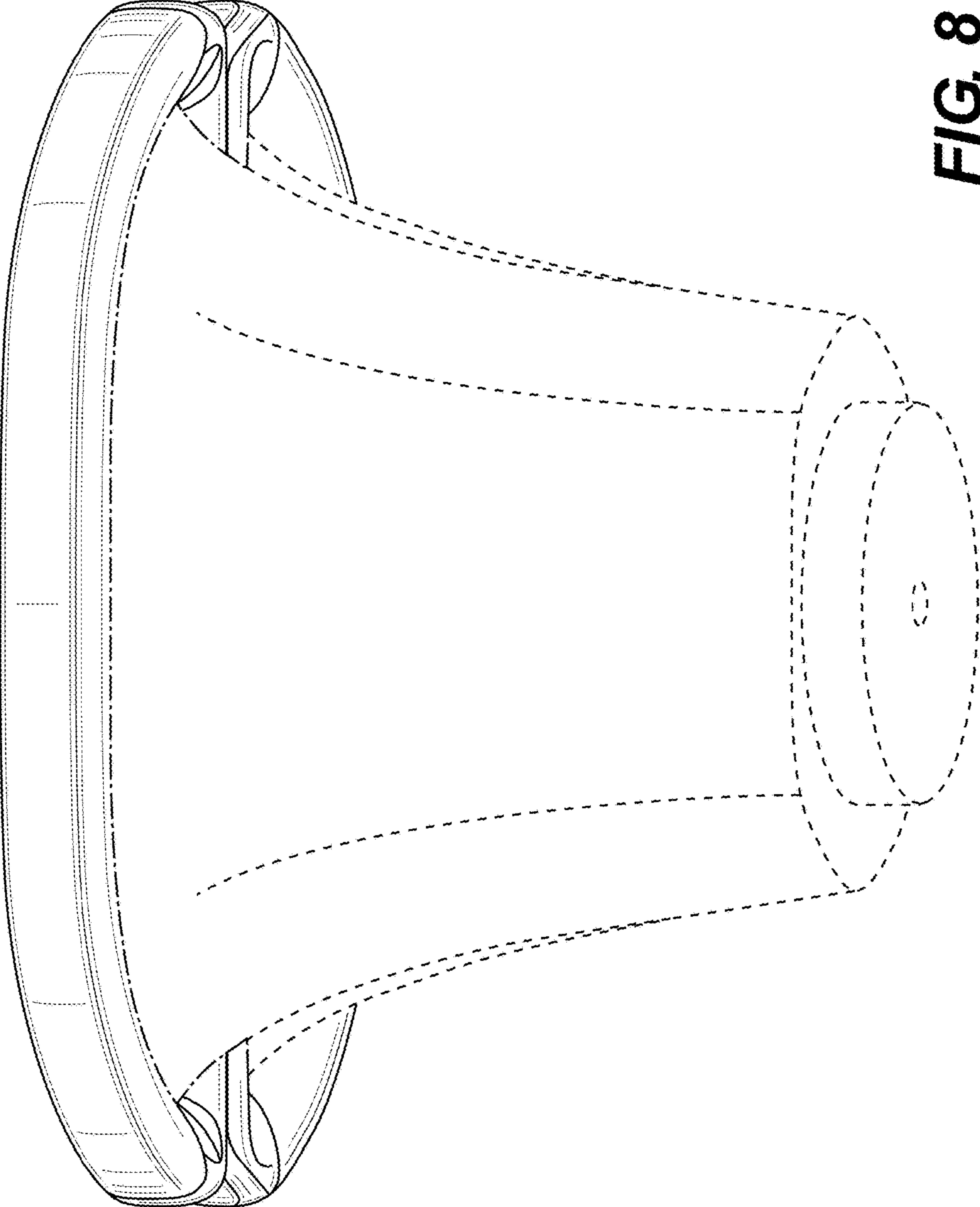
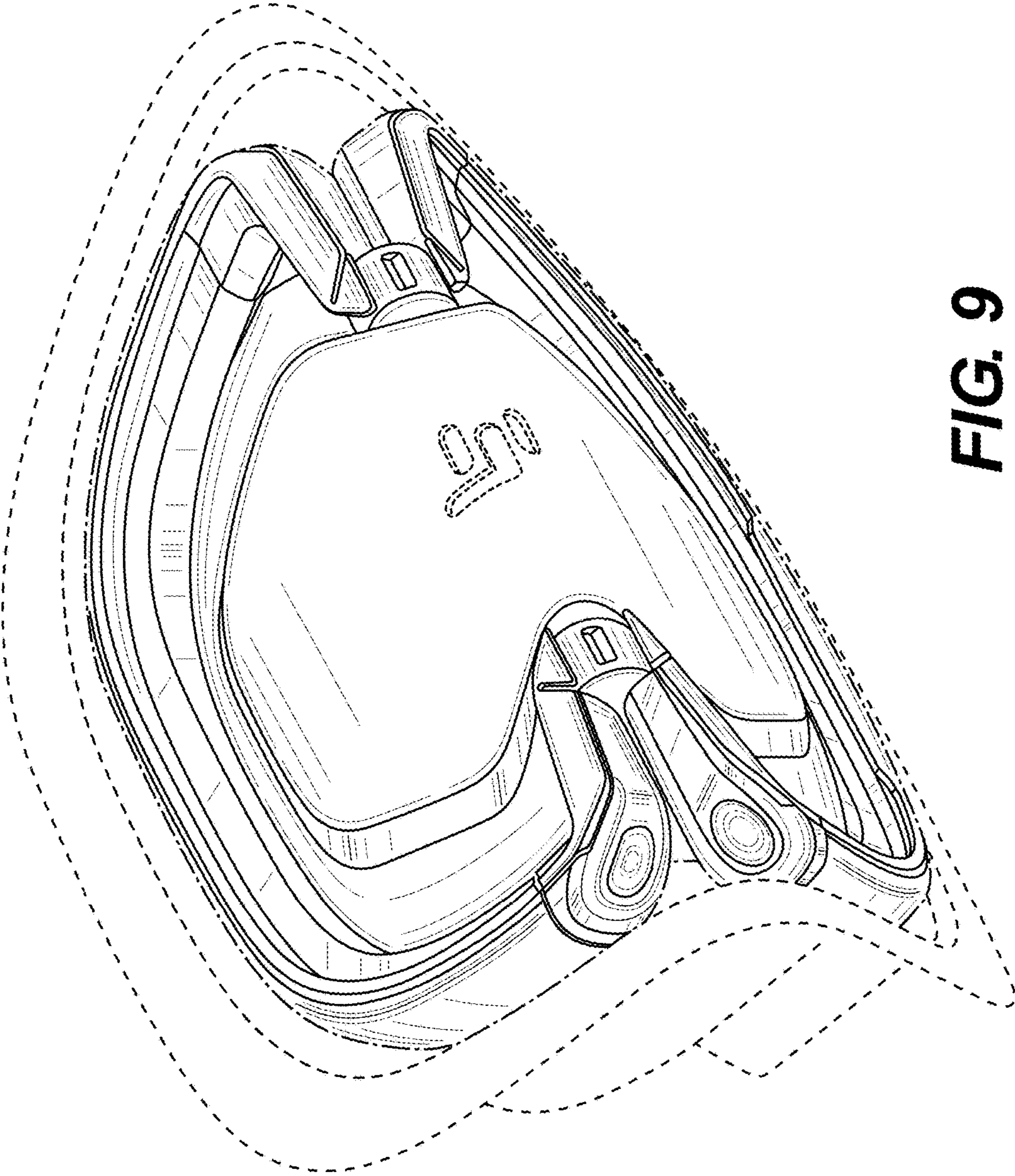
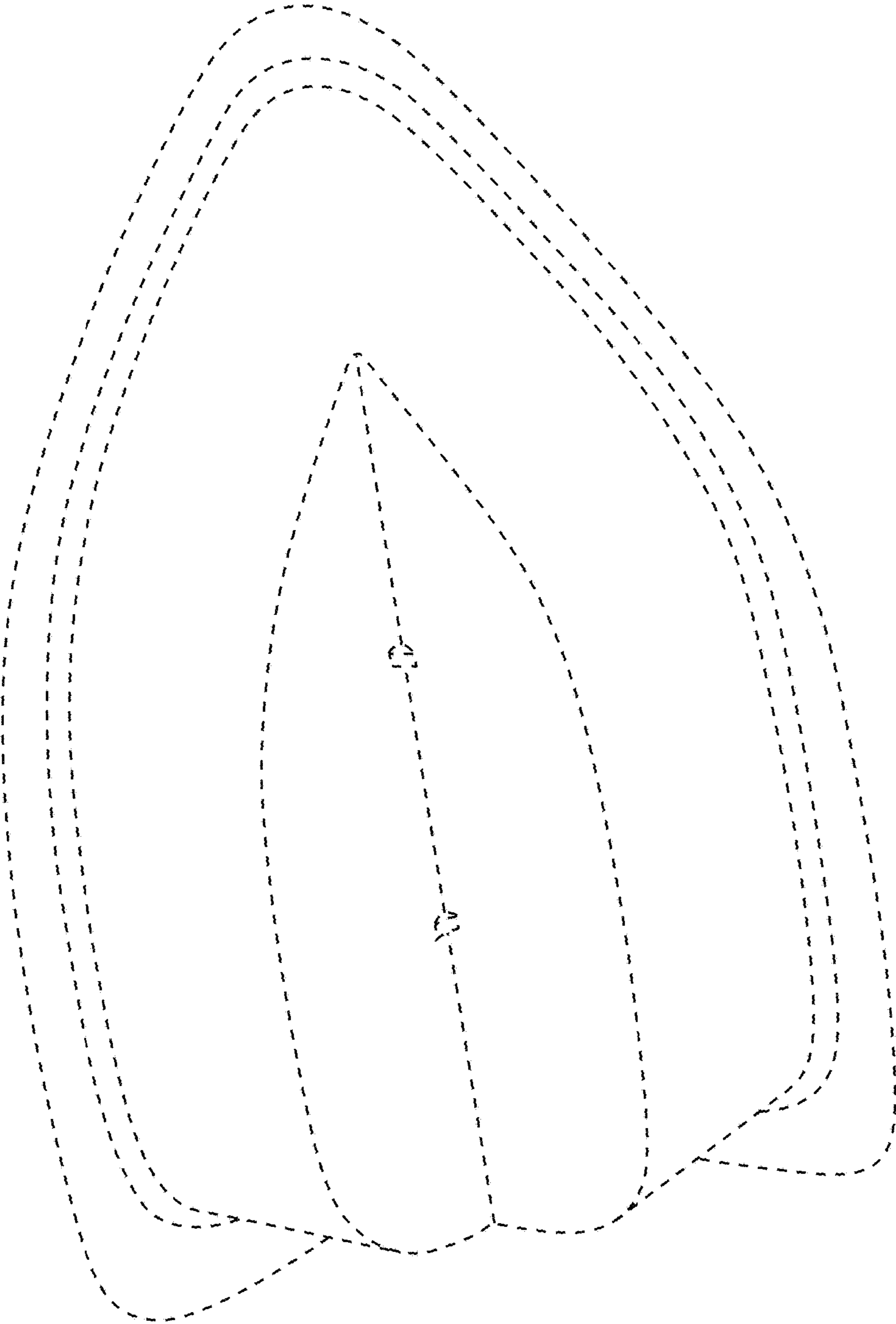


FIG. 8

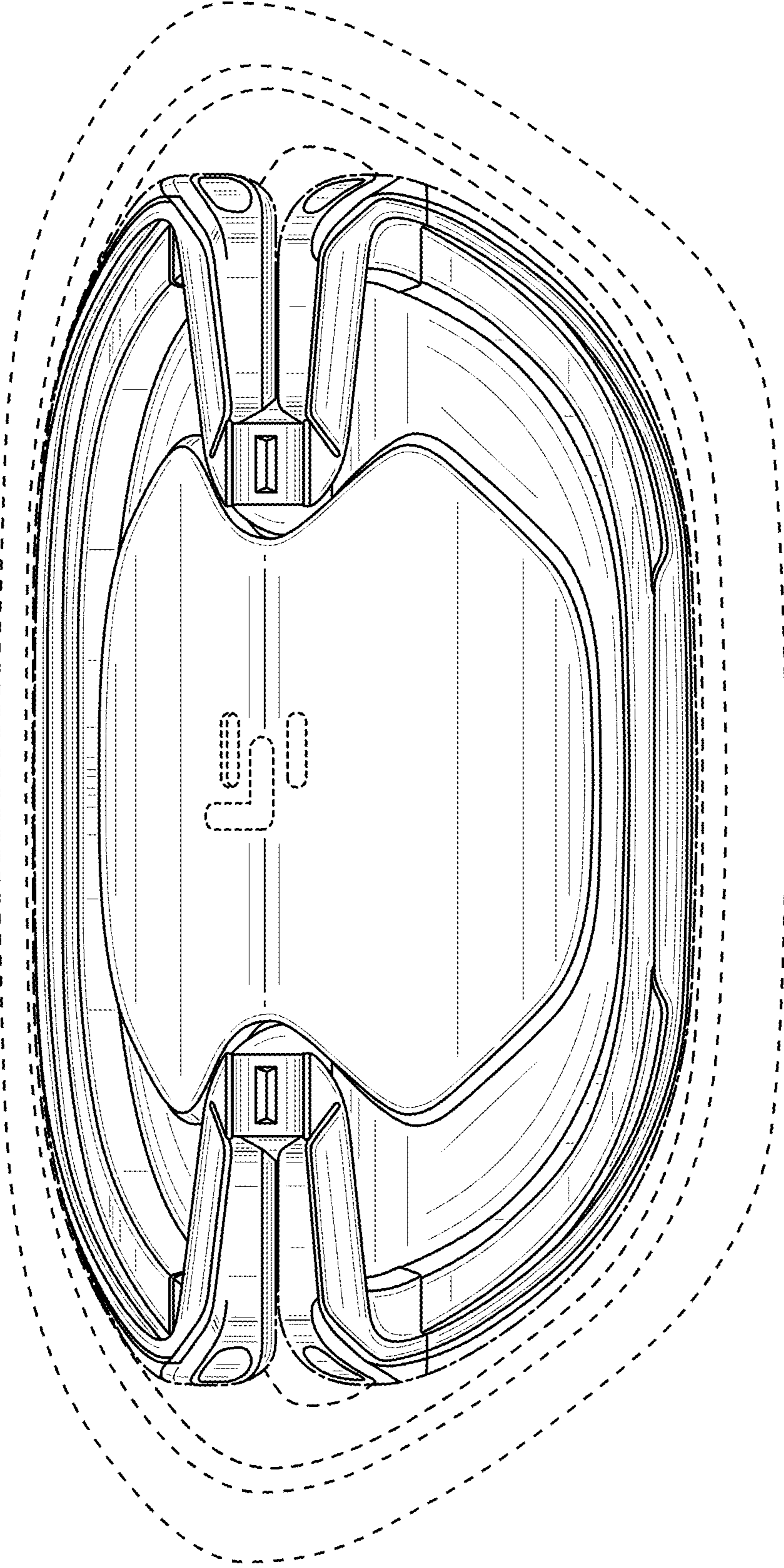


**FIG. 9**

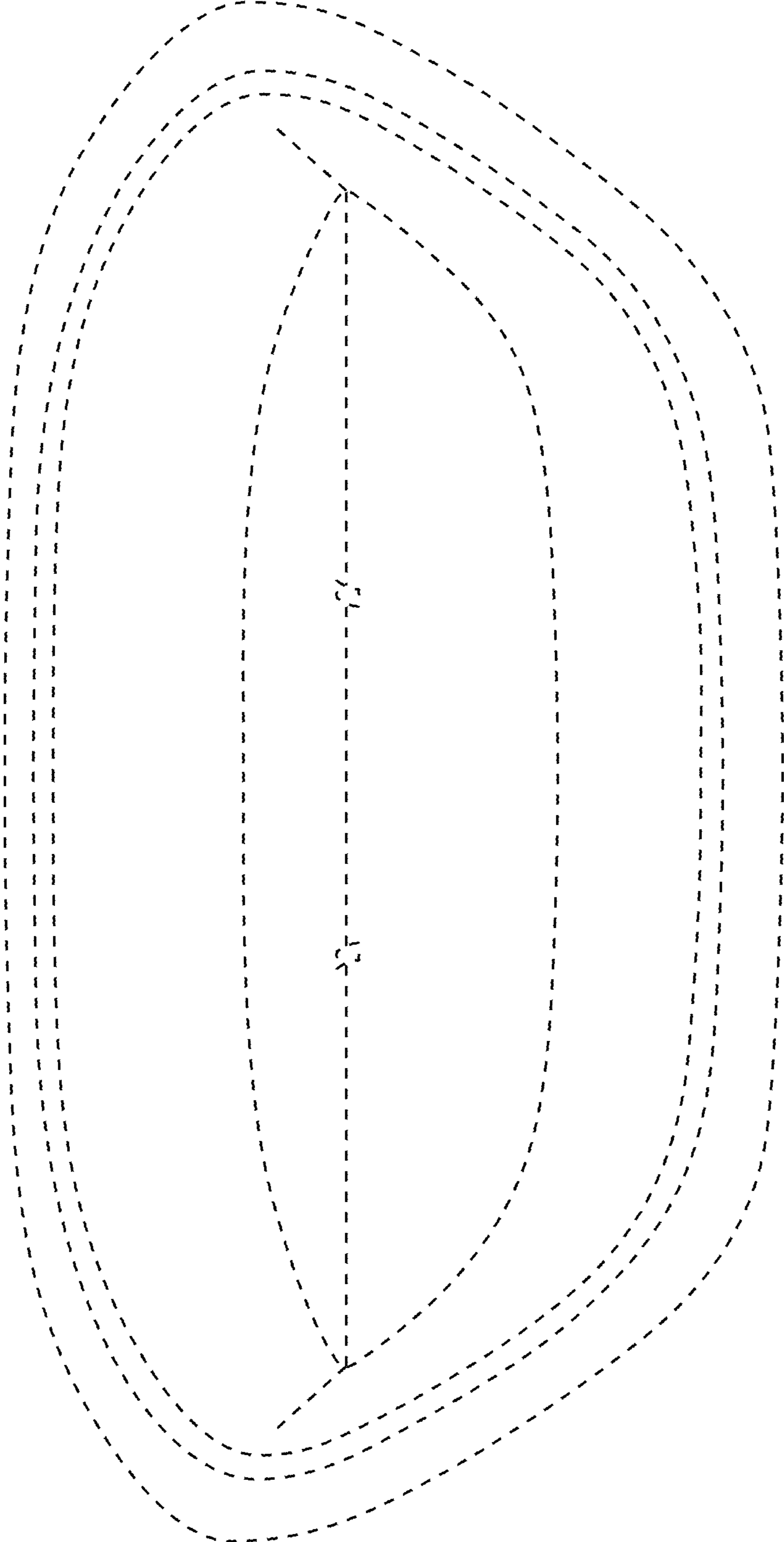


**FIG. 10**

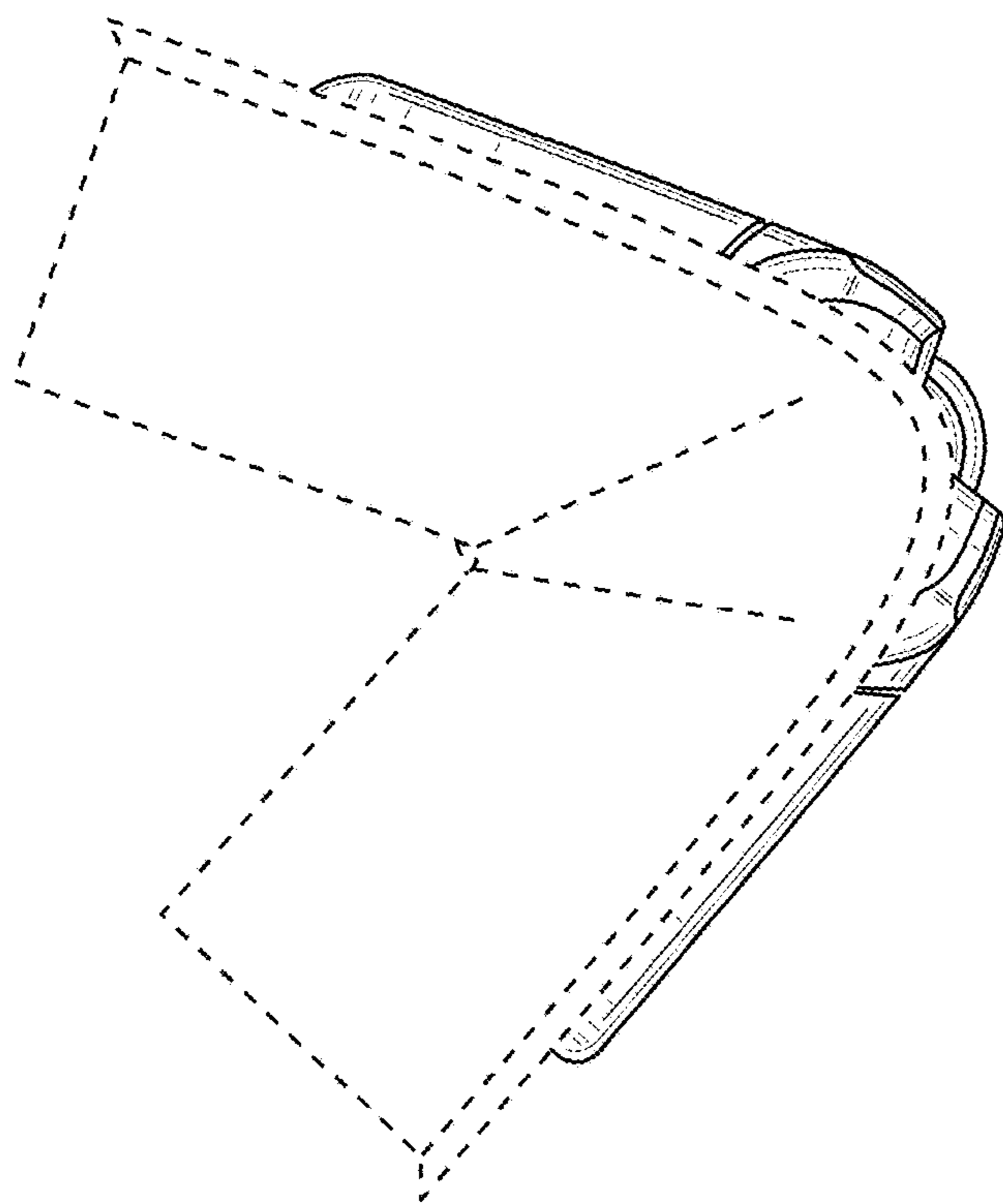




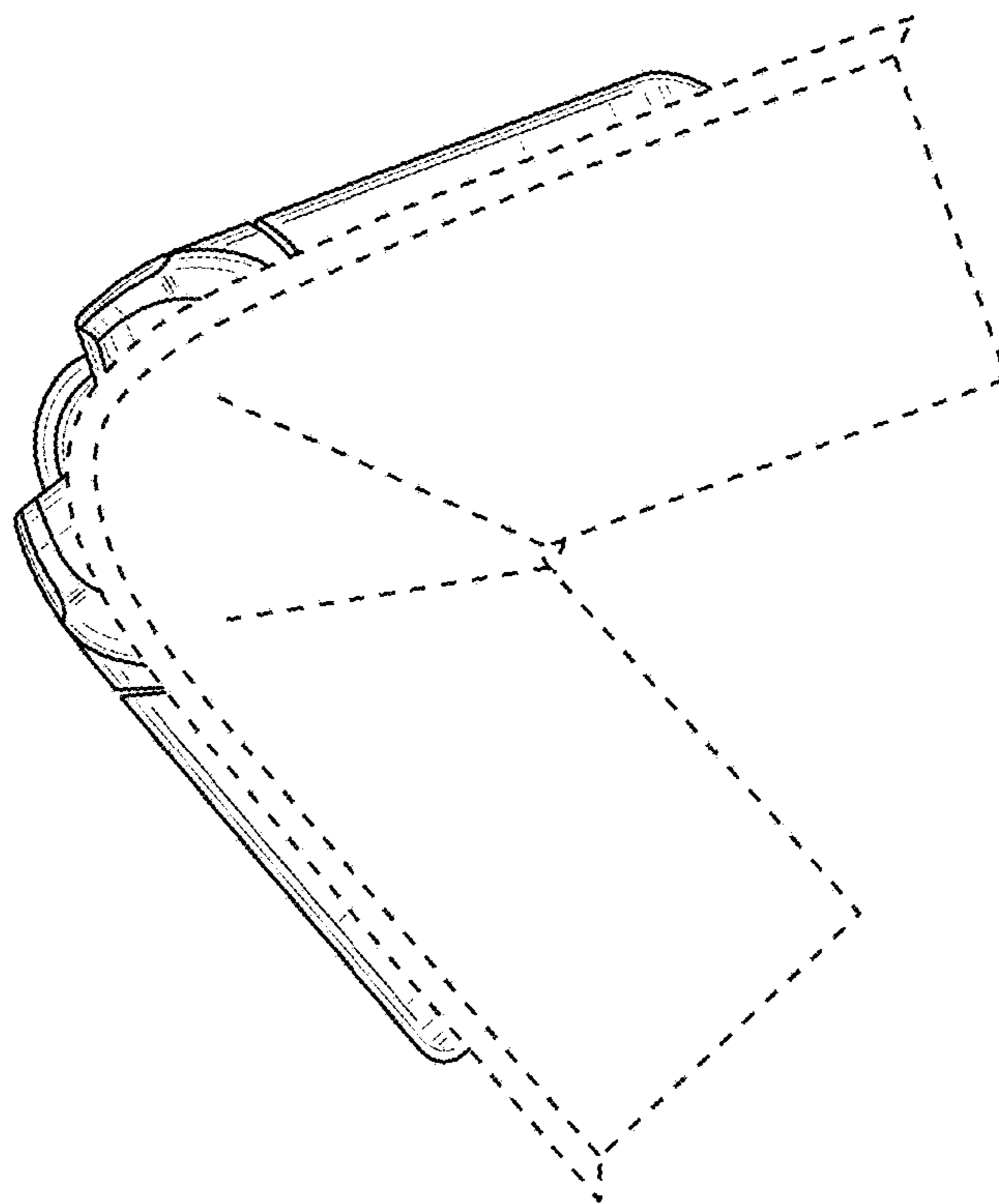
**FIG. 11**



**FIG. 12**

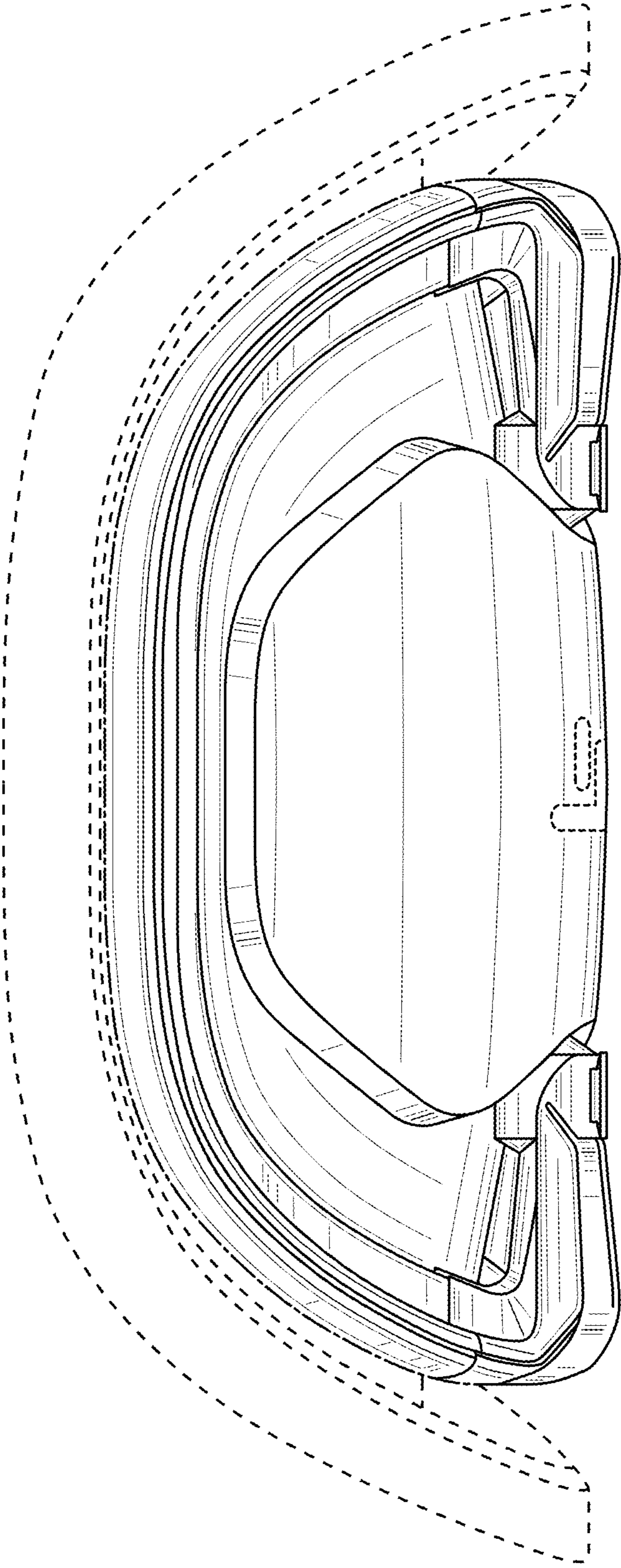


**FIG. 13**

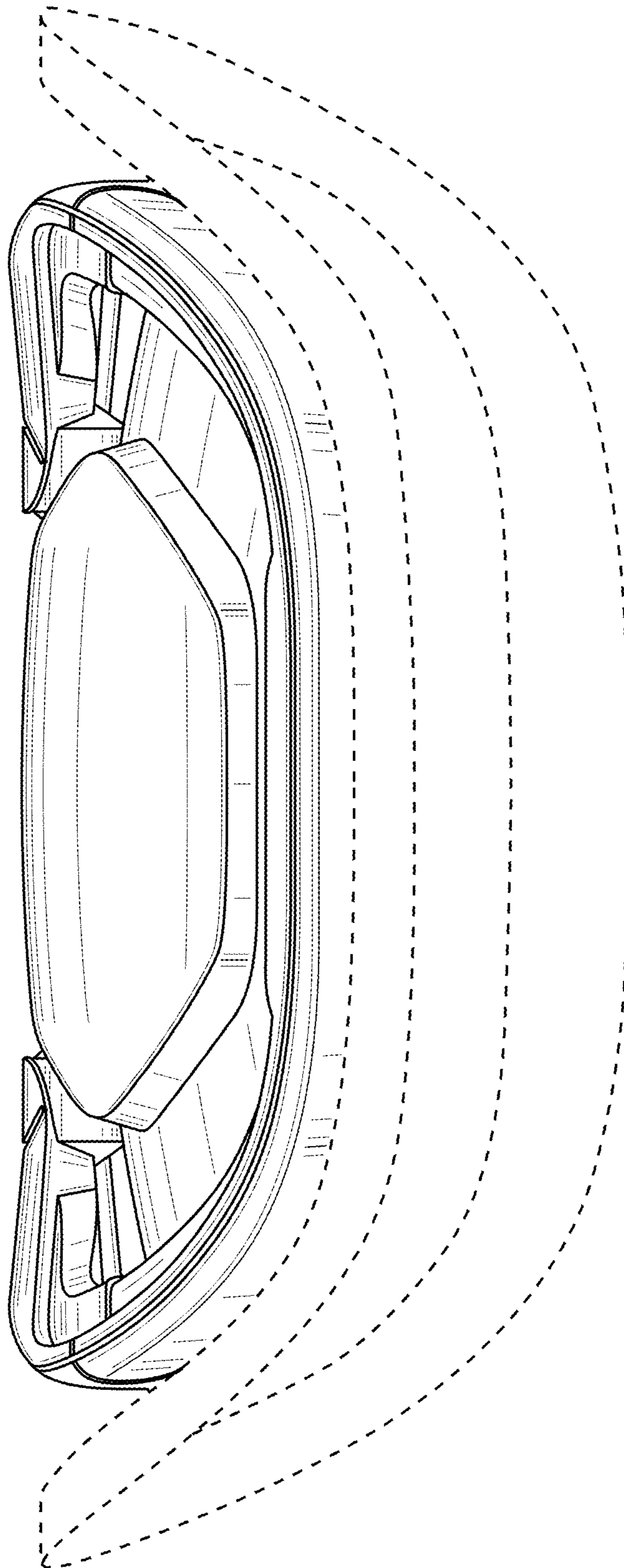


**FIG. 14**





**FIG. 15**



**FIG. 16**