

US00D797615S

(12) **United States Design Patent** (10) **Patent No.:** **US D797,615 S**  
**Hatton** (45) **Date of Patent:** **\*\* Sep. 19, 2017**

(54) **VEHICLE BUMPER**  
(71) Applicant: **Jaguar Land Rover Limited**, Coventry (GB)  
(72) Inventor: **Adam Hatton**, Coventry (GB)  
(73) Assignee: **Jaguar Land Rover Limited** (GB)  
(\*\*) Term: **14 Years**

(21) Appl. No.: **29/501,362**  
(22) Filed: **Sep. 3, 2014**

(30) **Foreign Application Priority Data**  
Mar. 4, 2014 (EM) ..... 002417659  
(51) **LOC (10) Cl.** ..... **12-16**  
(52) **U.S. Cl.**  
USPC ..... **D12/169**  
(58) **Field of Classification Search**  
USPC .... D12/169, 216, 90-92, 86, 171, 196, 163;  
293/102, 113, 115, 117, 120; 296/180.1,  
296/180.2  
CPC .. B60R 19/52; B60R 2019/25; B62D 25/0845  
See application file for complete search history.

(56) **References Cited**  
U.S. PATENT DOCUMENTS  
D708,995 S \* 7/2014 Chen ..... D12/169  
D712,802 S \* 9/2014 Scheinhuetter ..... D12/169

D713,304 S \* 9/2014 Tsuchida ..... D12/169  
D713,766 S \* 9/2014 Katou ..... D12/169  
D721,306 S \* 1/2015 George ..... D12/169  
D721,625 S \* 1/2015 George ..... D12/169  
D725,009 S \* 3/2015 Hirai ..... D12/169  
D725,010 S \* 3/2015 Takei ..... D12/169  
D736,125 S \* 8/2015 Kamiura ..... D12/169  
D754,576 S \* 4/2016 Nissl ..... D12/169  
D769,161 S \* 10/2016 Ishii ..... D12/169

\* cited by examiner

*Primary Examiner* — Melody N Brown  
(74) *Attorney, Agent, or Firm* — Fishman Stewart PLLC

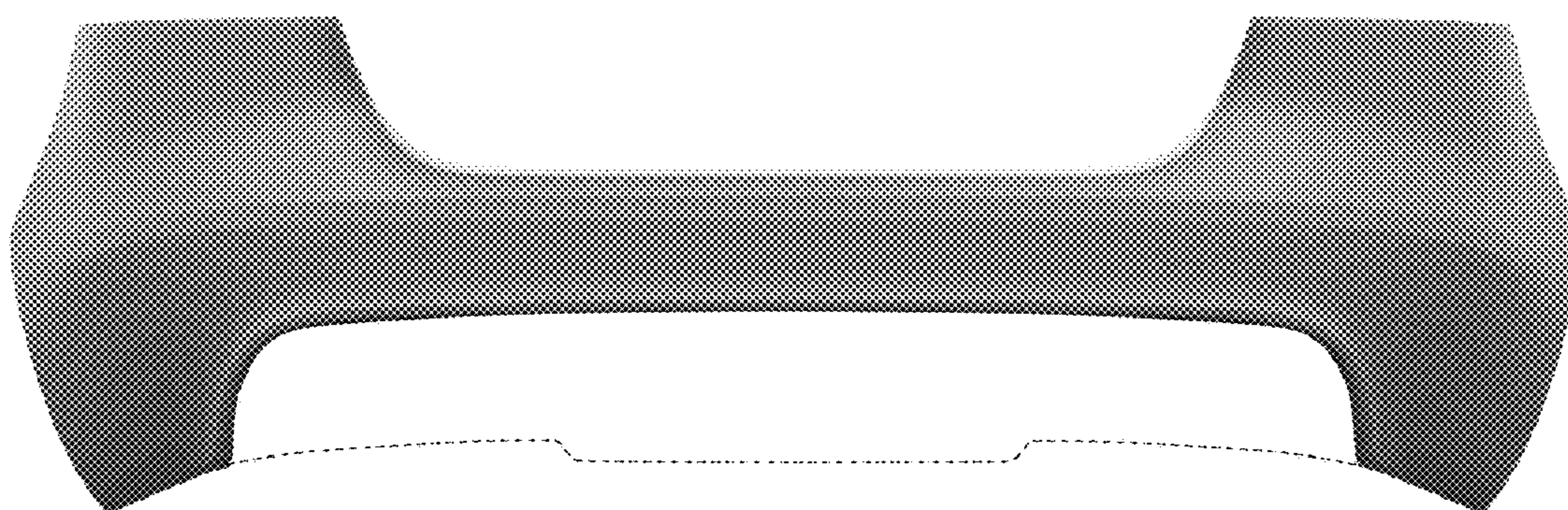
(57) **CLAIM**

The ornamental design for a vehicle bumper, as shown and described.

**DESCRIPTION**

FIG. 1 is a front perspective view of a vehicle bumper showing my new design;  
FIG. 2 is a rear perspective view thereof;  
FIG. 3 is a front elevational view thereof;  
FIG. 4 is a rear elevational view thereof;  
FIG. 5 is a left side elevational view thereof;  
FIG. 6 is a right side elevational view thereof; and,  
FIG. 7 is a top plan view thereof.  
The portion of the drawing shown in broken lines are for illustrative purposes only and form no part of the claimed design.

**1 Claim, 4 Drawing Sheets**



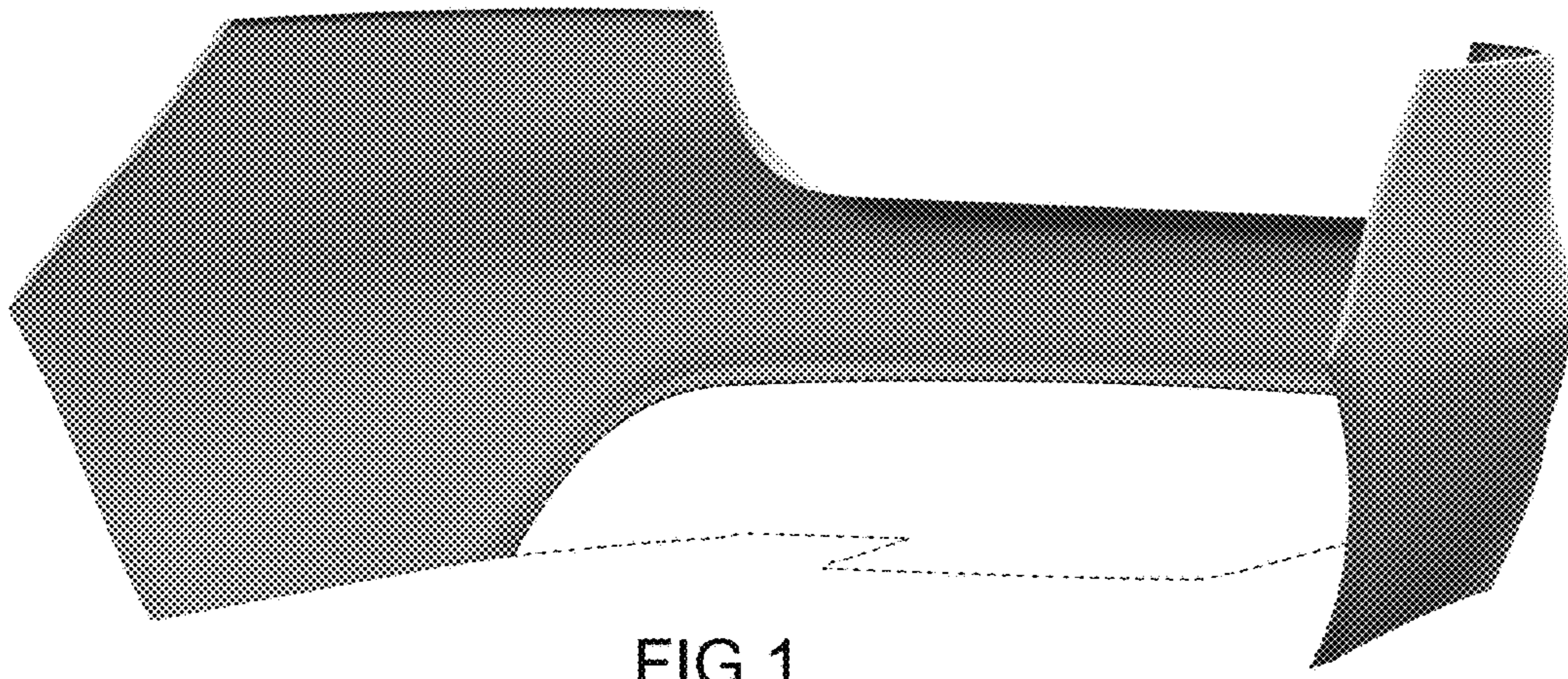


FIG.1

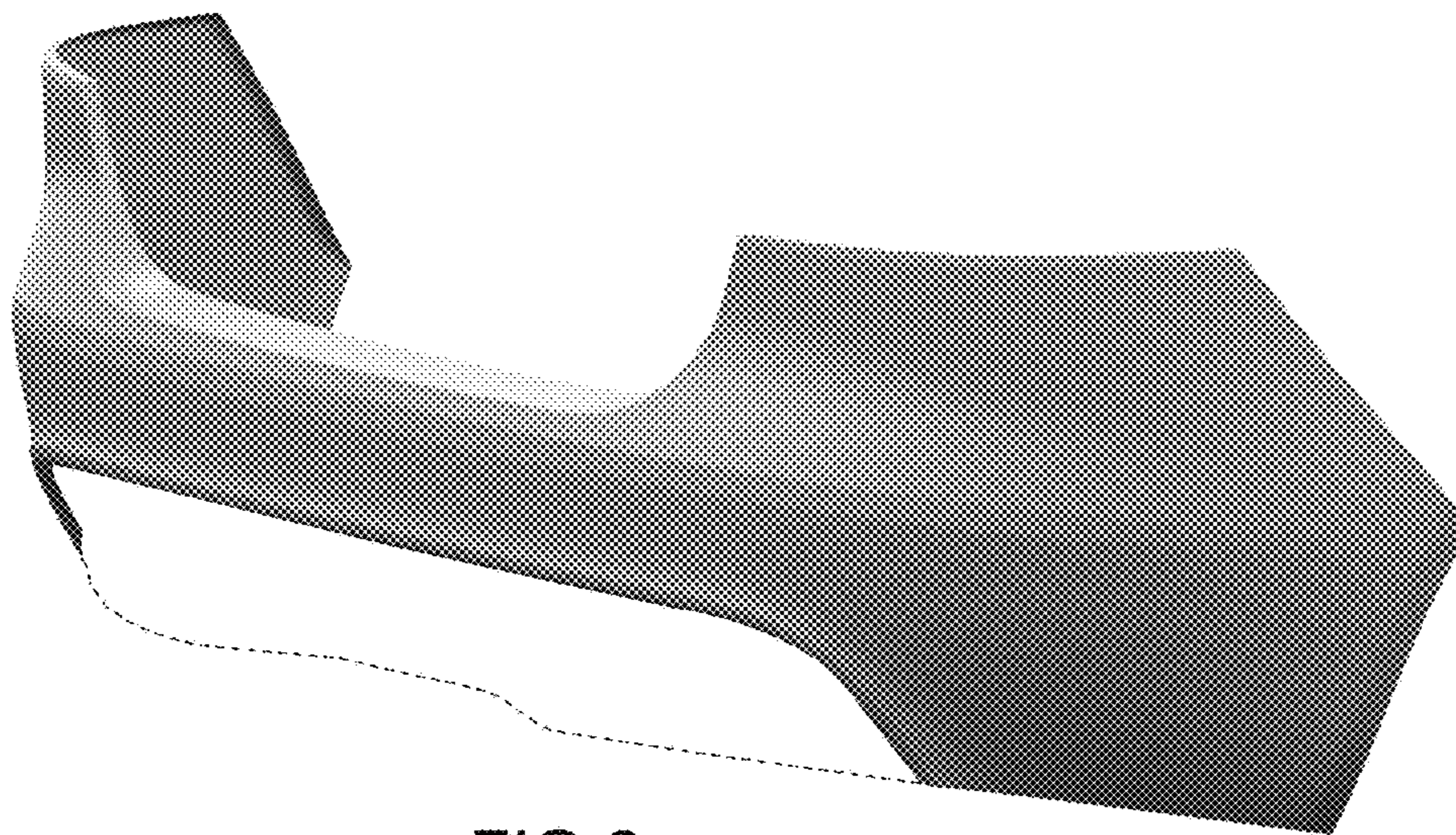


FIG.2



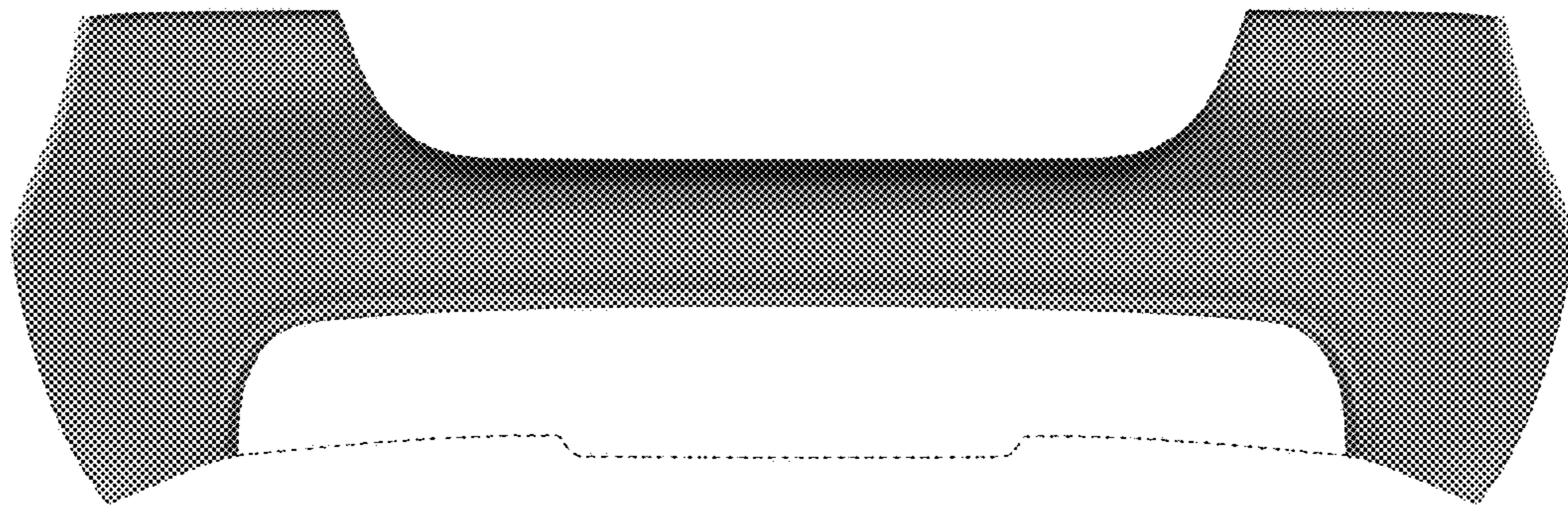


FIG.3

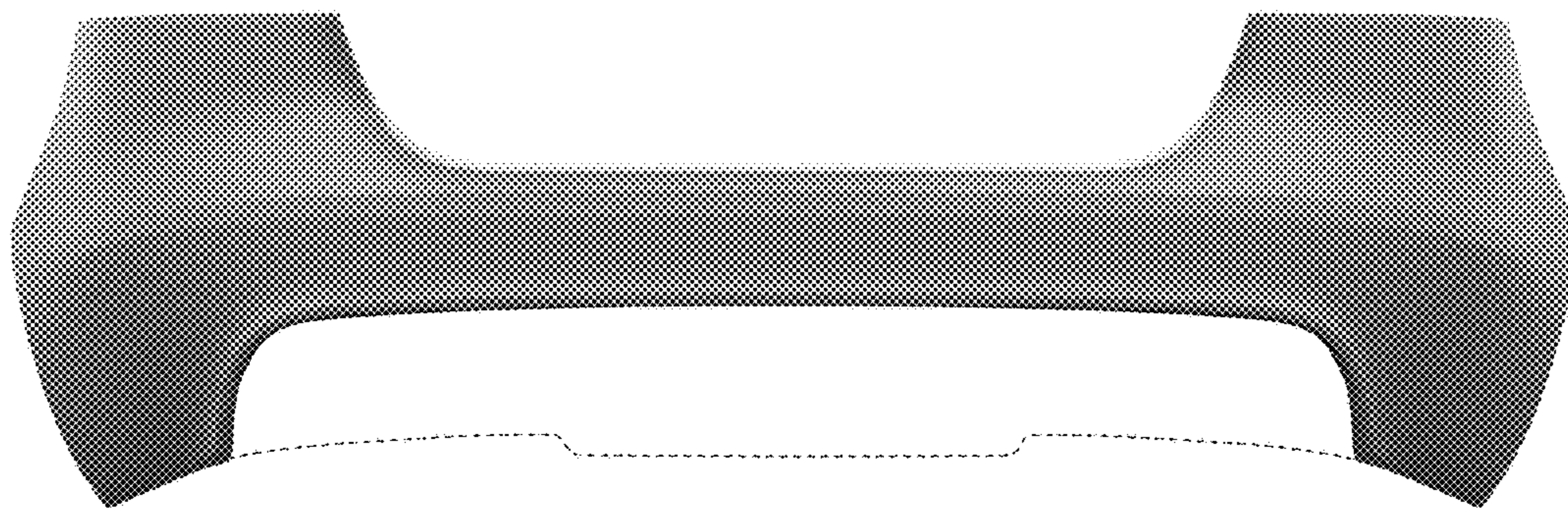


FIG.4

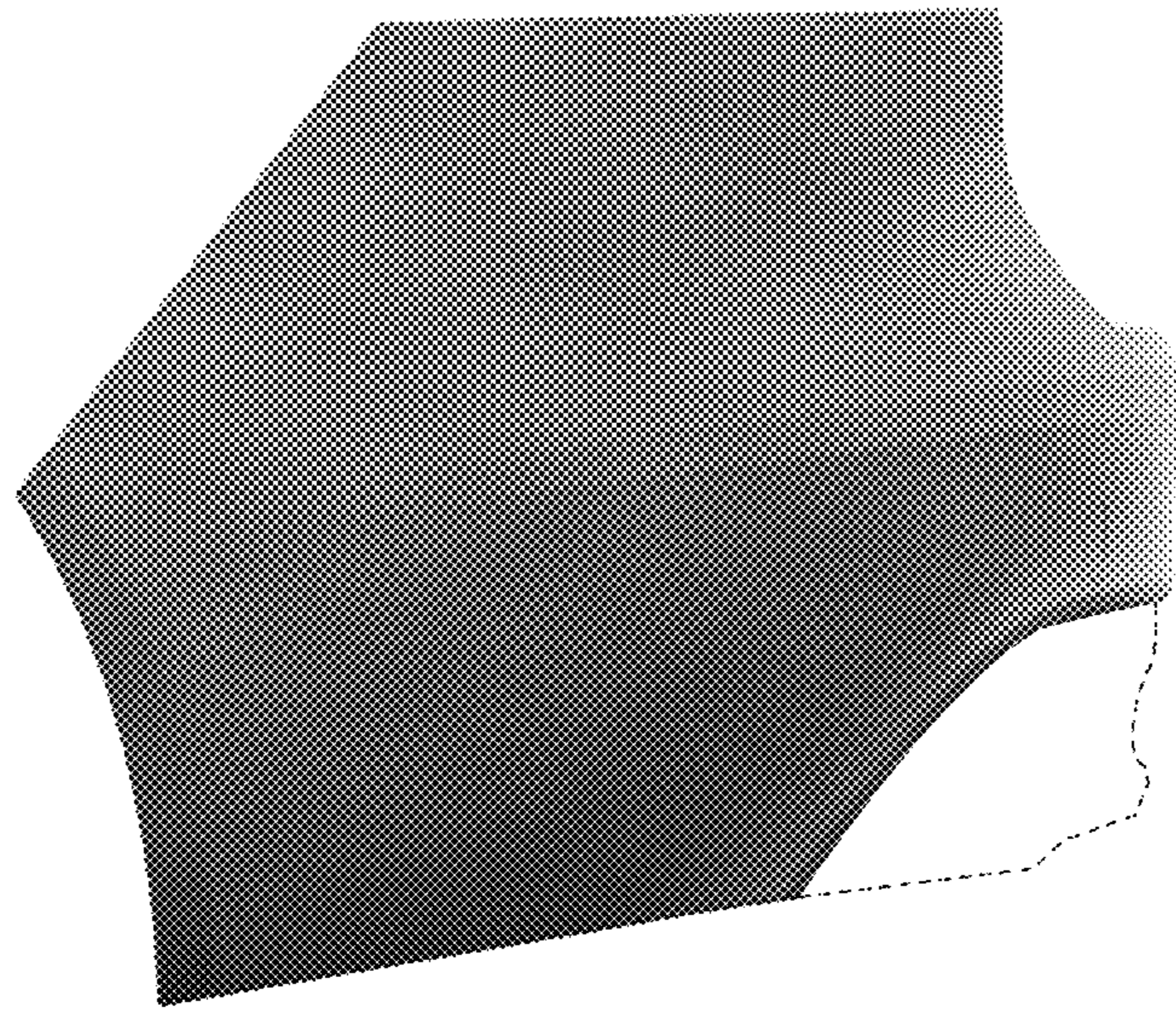


FIG.5

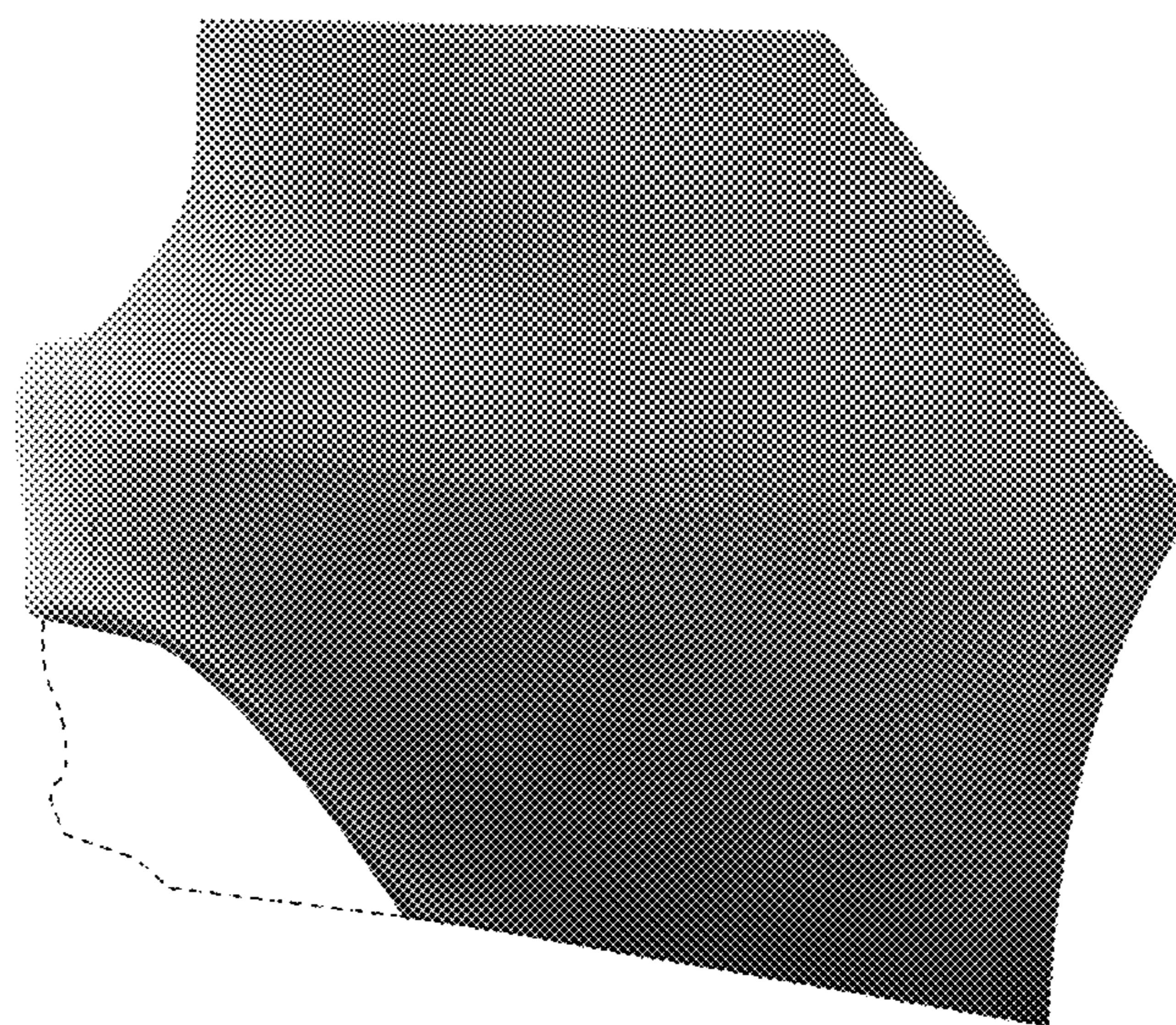


FIG.6

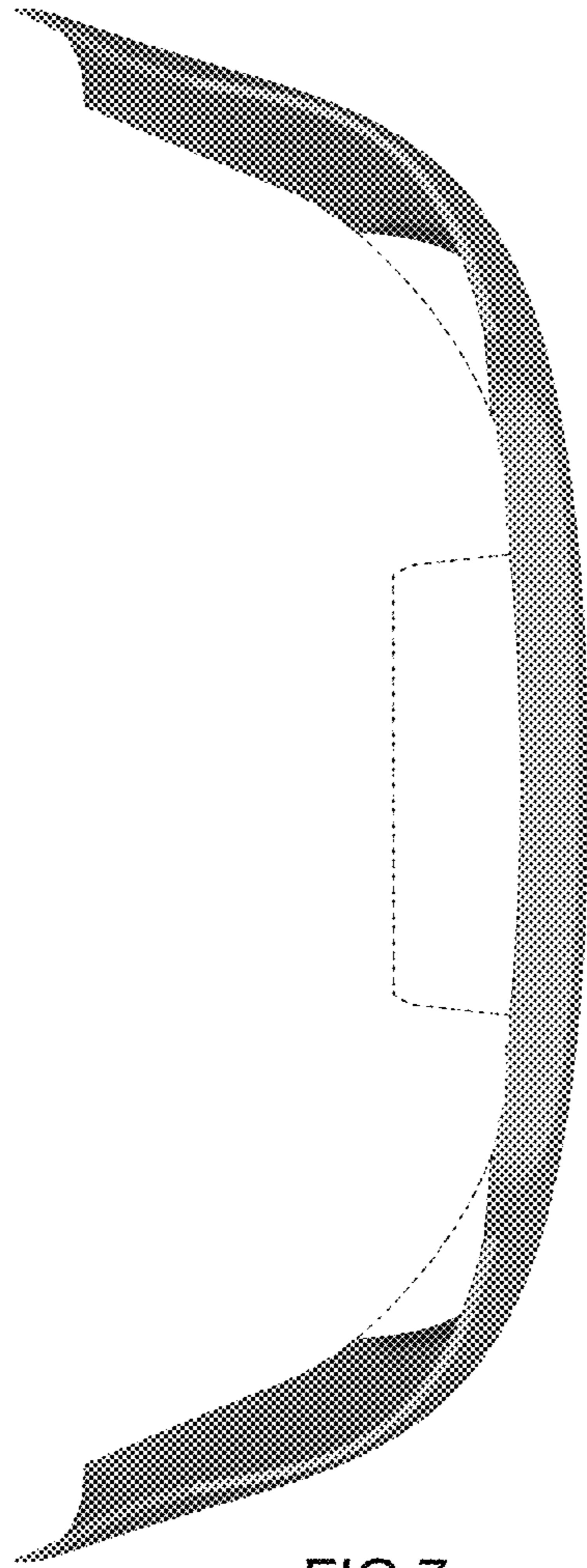


FIG. 7