



US00D797612S

(12) **United States Design Patent** (10) **Patent No.:** **US D797,612 S**  
**Carter et al.** (45) **Date of Patent:** **\*\* Sep. 19, 2017**

(54) **BICYCLE DEVICE MOUNT**  
(71) Applicant: **DOGEARS LLC**, Logan, UT (US)  
(72) Inventors: **David Maurice Carter**, North Logan, UT (US); **Kent Mathews Carlsen**, Providence, UT (US); **Robert Jared Streator**, Smithfield, UT (US)  
(73) Assignee: **DOGEARS, LLC**, Logan, UT (US)  
(\*\*) Term: **15 Years**  
(21) Appl. No.: **29/552,143**  
(22) Filed: **Jan. 20, 2016**  
(51) **LOC (10) Cl.** ..... **12-11**  
(52) **U.S. Cl.**  
USPC ..... **D12/114**  
(58) **Field of Classification Search**  
USPC ..... D12/114, 115, 111, 117, 120, 126, 223, D12/400, 407, 408, 415, 420  
CPC ..... B62J 11/00; B62J 9/00; B62J 2099/0026; B62J 2099/0033  
See application file for complete search history.

D354,461 S \* 1/1995 Davidson ..... D12/126  
D354,462 S \* 1/1995 Davidson ..... D12/126  
D354,464 S \* 1/1995 Davidson ..... D12/127  
D363,259 S \* 10/1995 Davidson ..... D12/126  
D363,691 S \* 10/1995 Davidson ..... D12/126  
D364,129 S \* 11/1995 Davidson ..... D12/126  
D367,444 S \* 2/1996 Davidson ..... D12/126  
D376,565 S \* 12/1996 Davidson ..... D12/126  
D377,157 S \* 1/1997 Davidson ..... D12/126  
D377,774 S \* 2/1997 Davidson ..... D12/126  
D400,128 S \* 10/1998 Golden ..... D12/126  
D556,643 S \* 12/2007 Baker ..... D12/114

\* cited by examiner

*Primary Examiner* — George D. Kirschbaum

*Assistant Examiner* — Clese Moore, Jr.

(74) *Attorney, Agent, or Firm* — Preston P. Frischknecht; Project CIP

(57) **CLAIM**

The ornamental design for a bicycle device mount, as shown.

**DESCRIPTION**

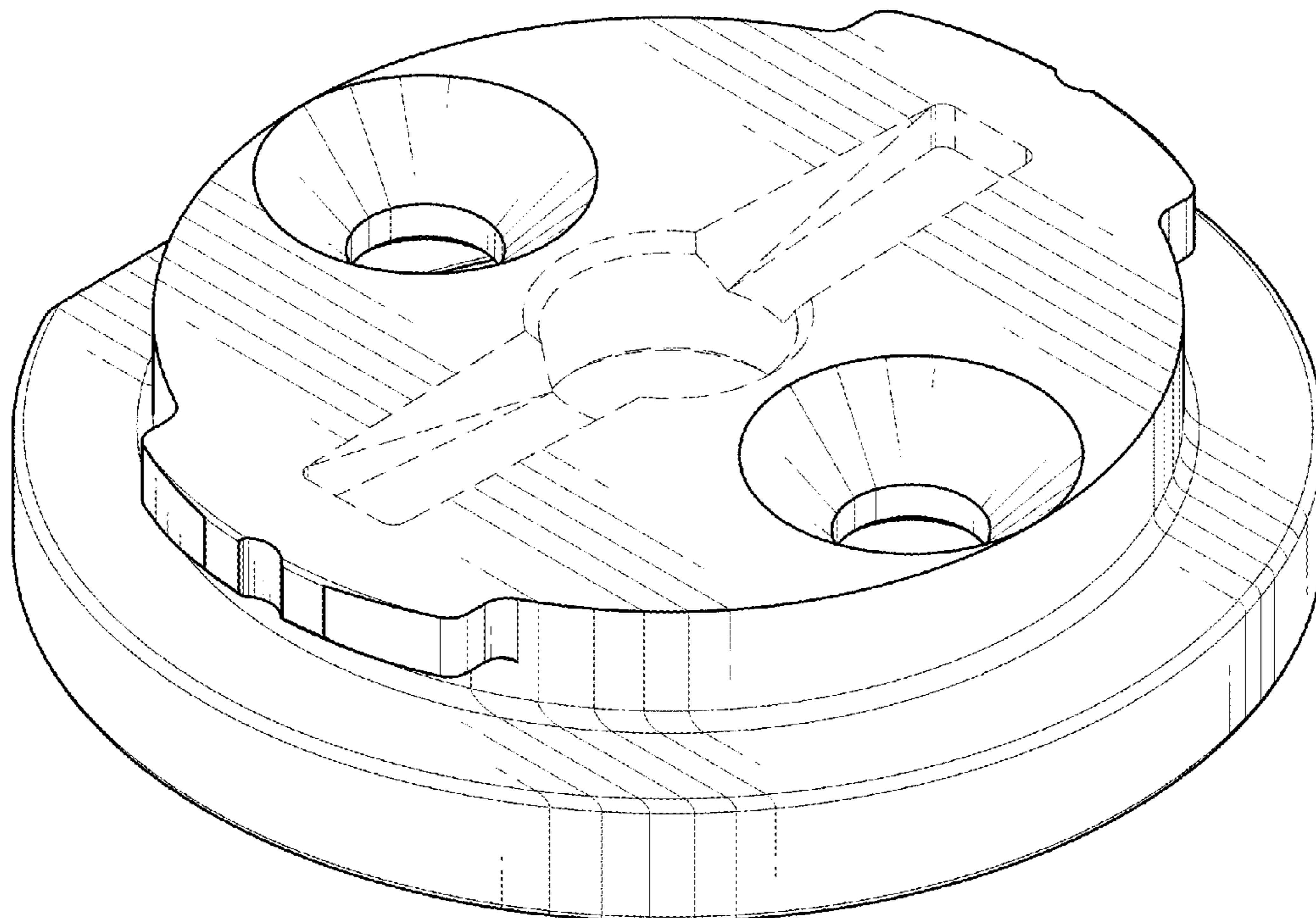
FIG. 1 is a top perspective view of a bicycle device mount; FIG. 2 is a bottom perspective view showing the design; FIG. 3 is a top side view showing the design; FIG. 4 is a bottom side view showing the design; FIG. 5 is a right side view showing the design; FIG. 6 is a left side view showing the design; FIG. 7 is a front view showing the design; and, FIG. 8 is a bottom view showing the design.

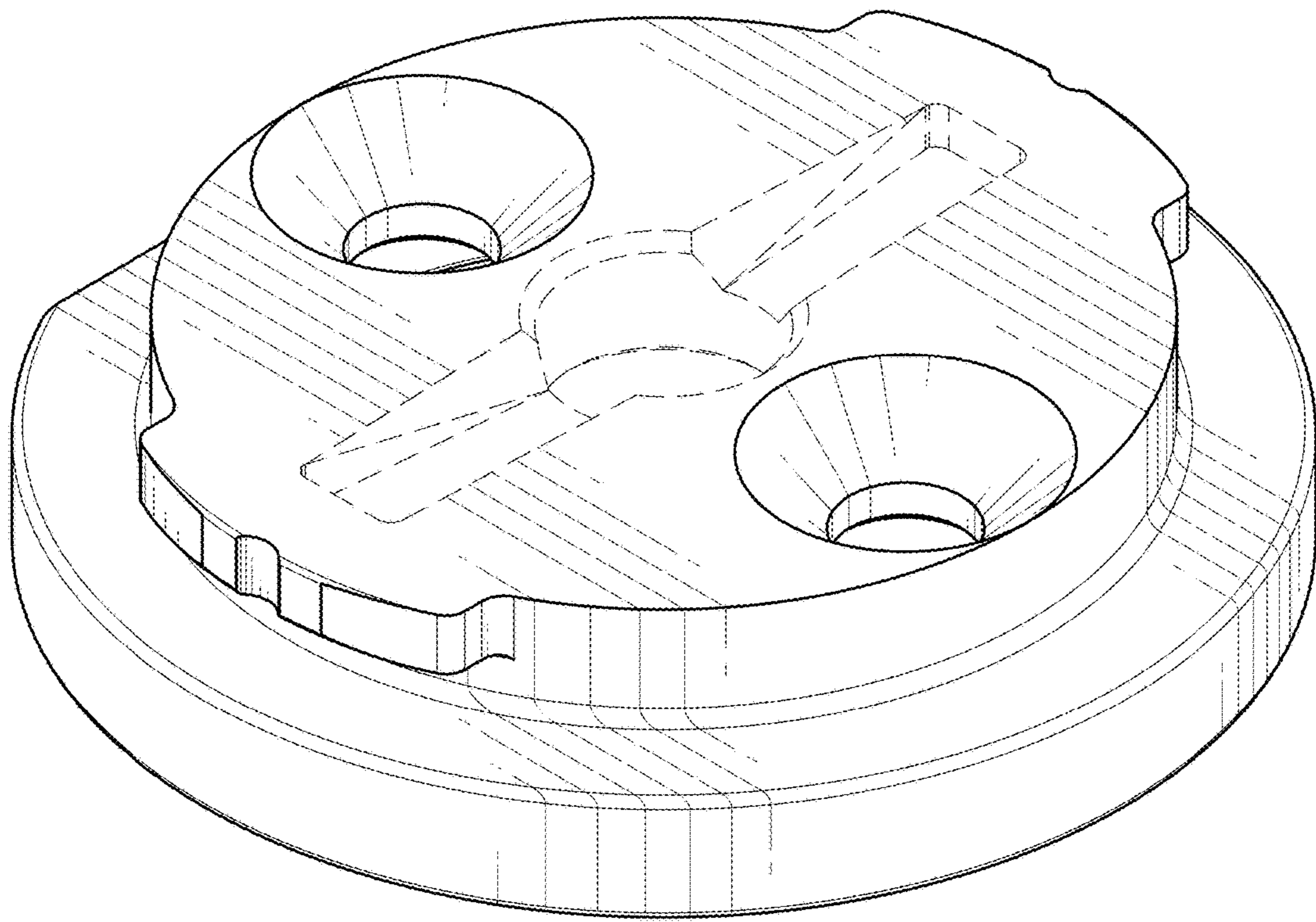
**1 Claim, 6 Drawing Sheets**

(56) **References Cited**

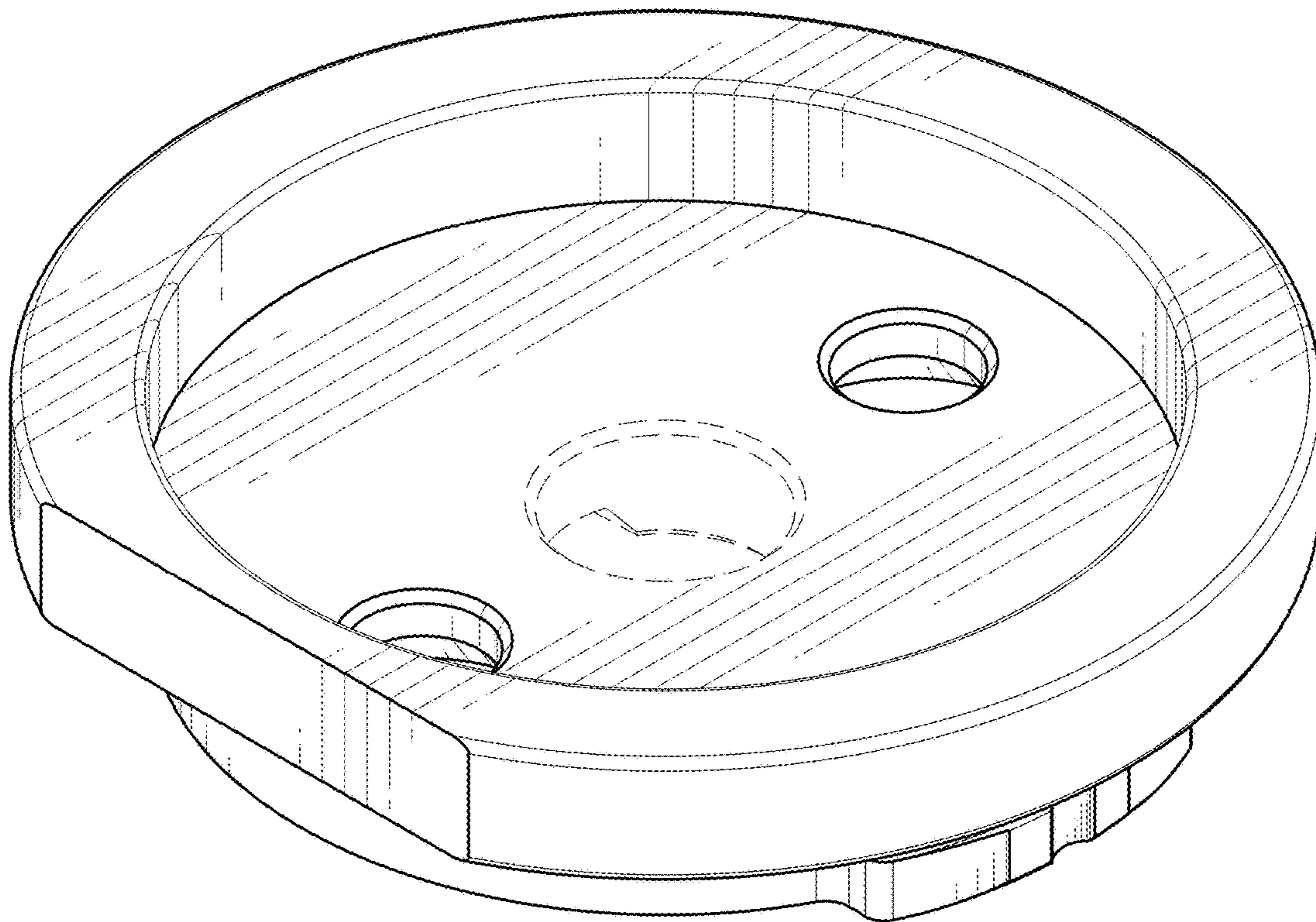
**U.S. PATENT DOCUMENTS**

D294,923 S \* 3/1988 Nagy ..... D12/126  
D301,447 S \* 6/1989 Snyder ..... D12/223  
D301,448 S \* 6/1989 Snyder ..... D12/223

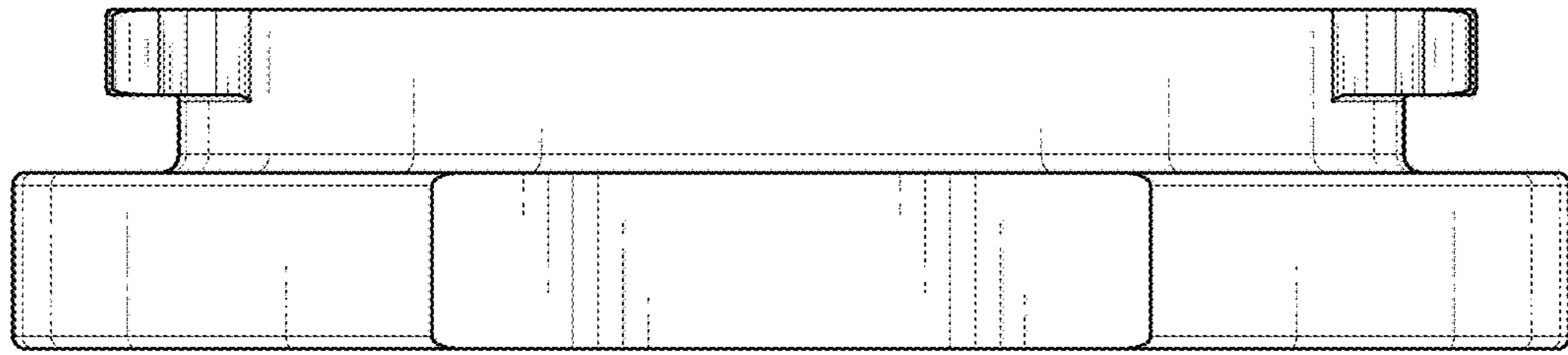




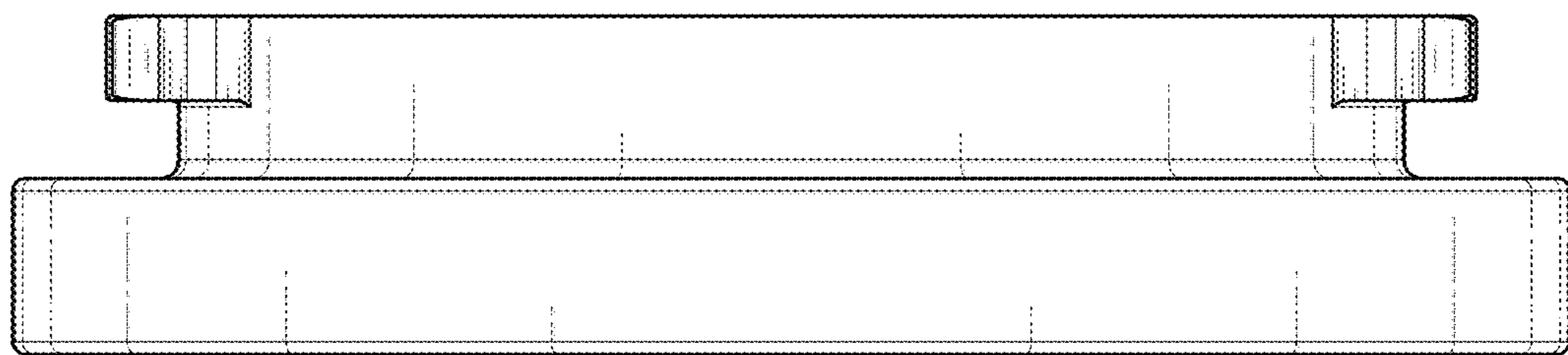
**FIG. 1**



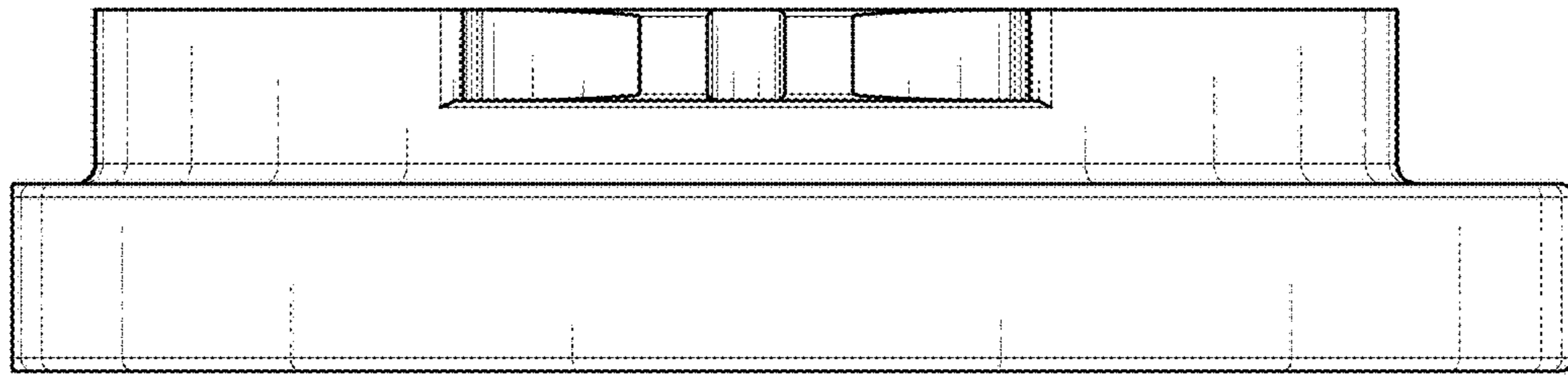
**FIG. 2**



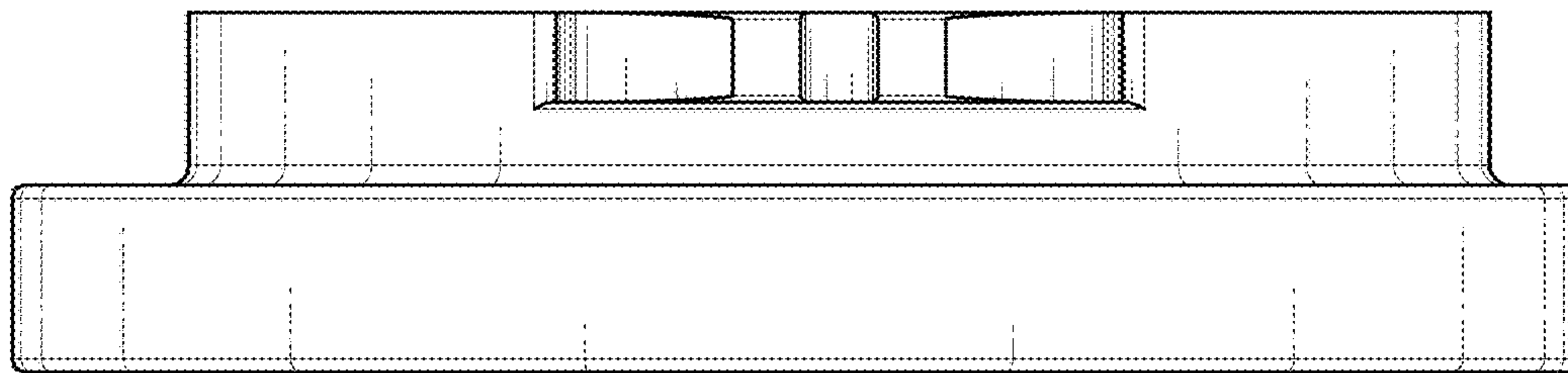
**FIG. 3**



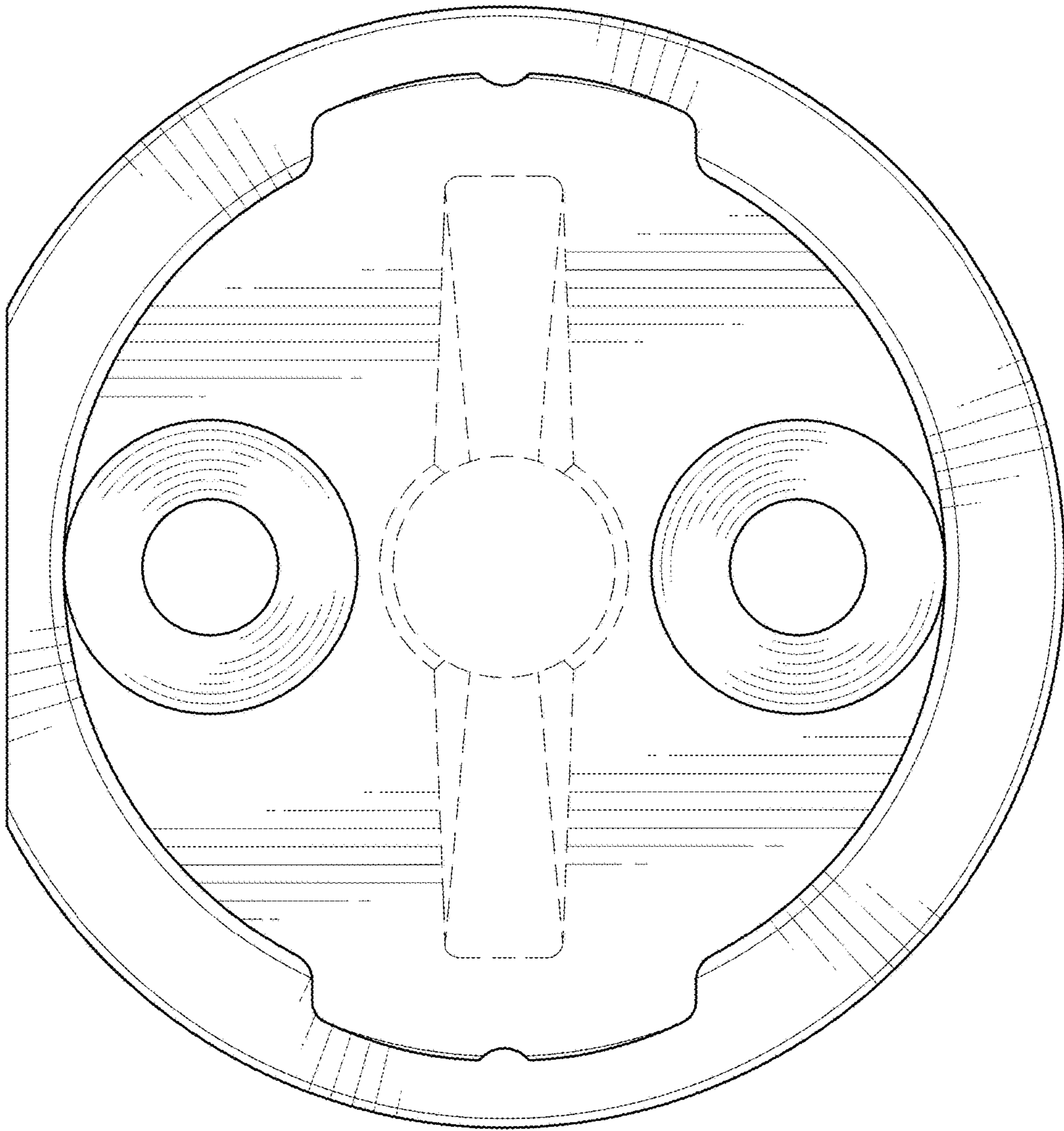
**FIG. 4**



**FIG. 5**



**FIG. 6**



**FIG. 7**

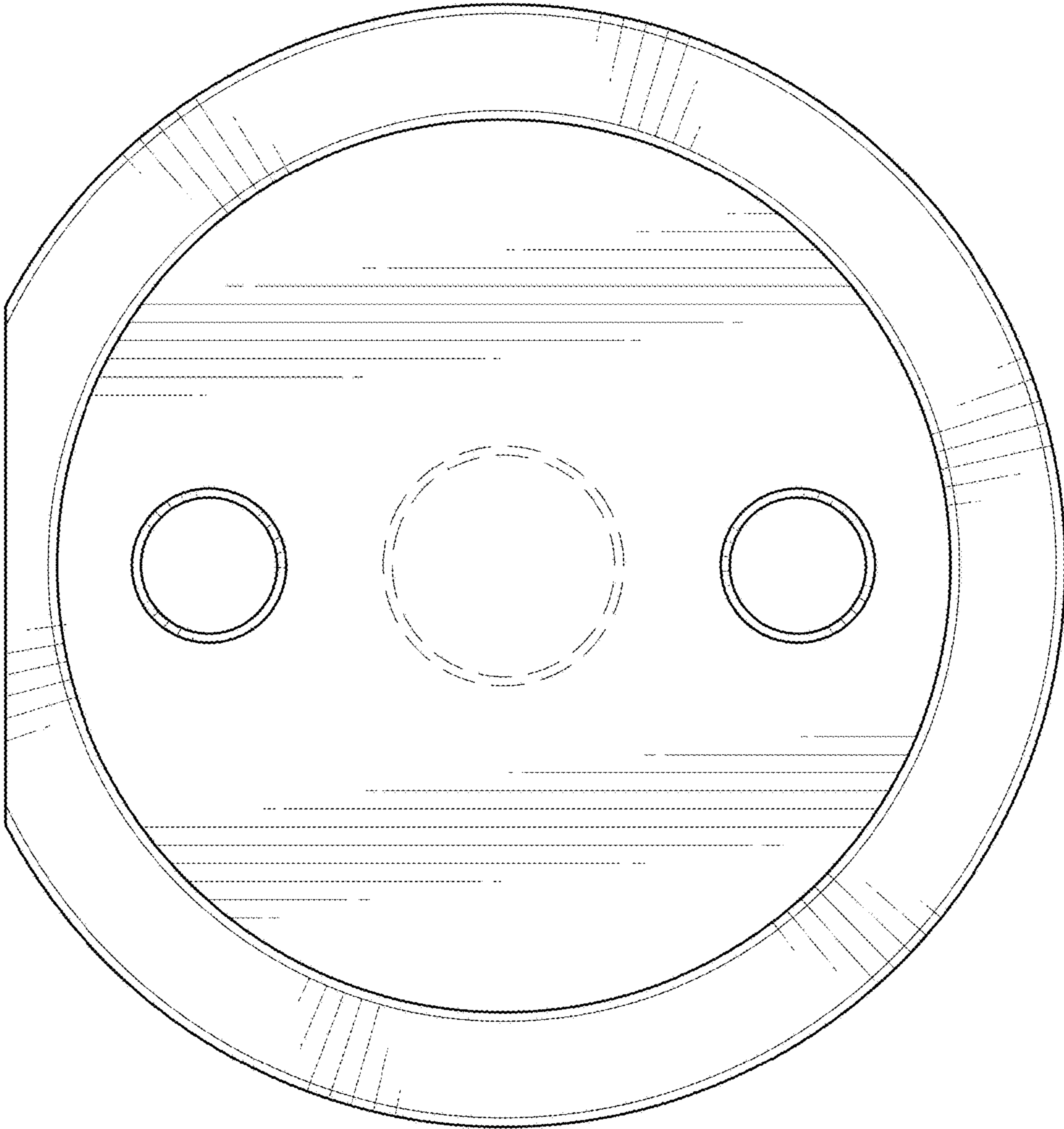


FIG. 8