



US00D797611S

(12) **United States Design Patent**
Lindloff

(10) **Patent No.:** **US D797,611 S**

(45) **Date of Patent:** **** Sep. 19, 2017**

(54) **MOTORCYCLE SPEAKER ACCENT ASSEMBLY**

(71) Applicant: **Ciro, LLC**, Hudson, WI (US)

(72) Inventor: **Christopher Duane Lindloff**, New Richmond, WI (US)

(73) Assignee: **Ciro, LLC**, Hudson, WI (US)

(**) Term: **15 Years**

(21) Appl. No.: **29/528,609**

(22) Filed: **May 29, 2015**

(51) **LOC (10) Cl.** **12-11**

(52) **U.S. Cl.**
USPC **D12/114**

(58) **Field of Classification Search**
USPC D12/114, 110, 126, 186, 190, 163, 216;
D26/139, 138

(Continued)

(56) **References Cited**

U.S. PATENT DOCUMENTS

5,221,069 A * 6/1993 Struthers H04R 1/025
248/231.9
D436,898 S * 1/2001 Okada D12/114

(Continued)

OTHER PUBLICATIONS

Tri-Line Fuel and Voltage Gauge Bezels for '15 Road Glide, obtained from www.kuryakyn.com/products/4923/tri-line-fuel-and-voltage-gauge-bezels, printed Oct. 19, 2015 (3 pages).

(Continued)

Primary Examiner — George D. Kirschbaum

Assistant Examiner — Clese Moore, Jr.

(74) *Attorney, Agent, or Firm* — Dicke, Billig & Czaja, PLLC

(57) **CLAIM**

The ornamental design for a motorcycle speaker accent assembly, as shown and described.

DESCRIPTION

FIG. 1 is a perspective view of a motorcycle speaker accent assembly;

FIG. 2 is a side view of the motorcycle speaker accent assembly of FIG. 1 (as taken from the right of FIG. 1);

FIG. 3 is a side view of the motorcycle speaker accent assembly of FIG. 1 (as taken from the left of FIG. 1);

FIG. 4 is a front view of the motorcycle speaker accent assembly of FIG. 1;

FIG. 5 is a rear view of the motorcycle speaker accent assembly of FIG. 1;

FIG. 6 is a top view of the motorcycle speaker accent assembly of FIG. 1;

FIG. 7 is a bottom view of the motorcycle speaker accent assembly of FIG. 1;

FIG. 8 is a perspective view of a second embodiment of a motorcycle speaker accent assembly;

FIG. 9 is a side view of the motorcycle speaker accent assembly of FIG. 8 (as taken from the right of FIG. 8);

FIG. 10 is a side view of the motorcycle speaker accent assembly of FIG. 8 (as taken from the left of FIG. 8);

FIG. 11 is a front view of the motorcycle speaker accent assembly of FIG. 8;

FIG. 12 is a rear view of the motorcycle speaker accent assembly of FIG. 8;

FIG. 13 is a top view of the motorcycle speaker accent assembly of FIG. 8;

FIG. 14 is a bottom view of the motorcycle speaker accent assembly of FIG. 8;

FIG. 15 is a perspective view of a third embodiment of a motorcycle speaker accent assembly;

FIG. 16 is a side view of the motorcycle speaker accent assembly of FIG. 15 (as taken from the right of FIG. 15);

FIG. 17 is a side view of the motorcycle speaker accent assembly of FIG. 15 (as taken from the left of FIG. 15);

FIG. 18 is a front view of the motorcycle speaker accent assembly of FIG. 15;

(Continued)

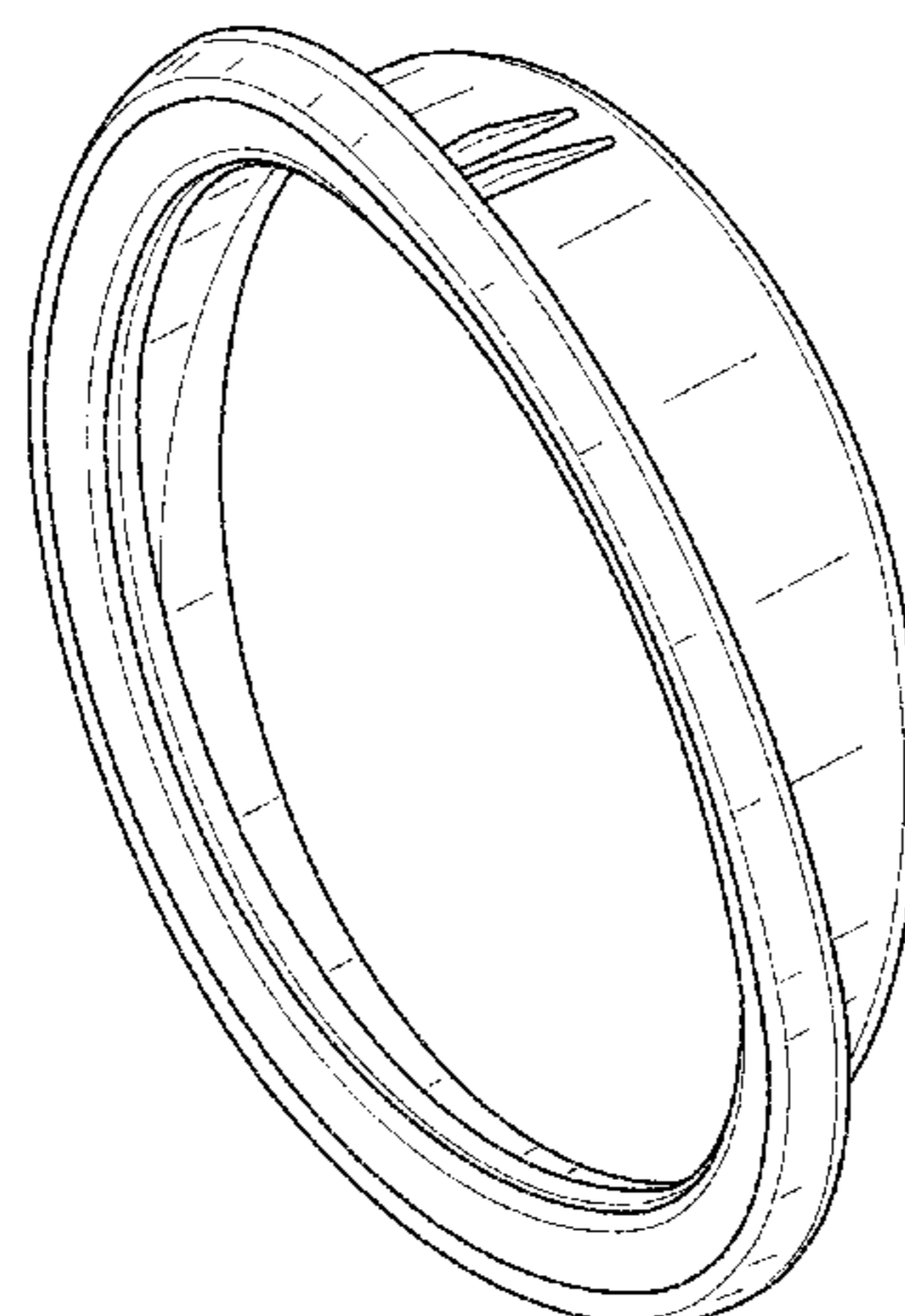


FIG. 19 is a rear view of the motorcycle speaker accent assembly of FIG. 15;
 FIG. 20 is a top view of the motorcycle speaker accent assembly of FIG. 15;
 FIG. 21 is a bottom view of the motorcycle speaker accent assembly of FIG. 15;
 FIG. 22 is a perspective view of a fourth embodiment of a motorcycle speaker accent assembly;
 FIG. 23 is a side view of the motorcycle speaker accent assembly of FIG. 22 (as taken from the right of FIG. 22);
 FIG. 24 is a side view of the motorcycle speaker accent assembly of FIG. 22 (as taken from the left of FIG. 22);
 FIG. 25 is a front view of the motorcycle speaker accent assembly of FIG. 22;
 FIG. 26 is a rear view of the motorcycle speaker accent assembly of FIG. 22;
 FIG. 27 is a top view of the motorcycle speaker accent assembly of FIG. 22; and,
 FIG. 28 is a bottom view of the motorcycle speaker accent assembly of FIG. 22.

The broken lines shown illustrate portions of the motorcycle speaker accent assembly that form no part of the claimed design.

1 Claim, 20 Drawing Sheets

(58) **Field of Classification Search**

CPC . B60R 11/00; B60R 11/02; B60R 2011/0059;
 B62J 2099/0006

See application file for complete search history.

(56)

References Cited

U.S. PATENT DOCUMENTS

D465,061	S	*	10/2002	Guthrie	D23/269
D504,856	S	*	5/2005	Chao	D12/192
D519,887	S	*	5/2006	Files	D12/114
D586,942	S	*	2/2009	Chan	D26/118
D587,394	S	*	2/2009	Pickard	D26/118
D594,789	S	*	6/2009	Johnson	D12/114
D599,951	S	*	9/2009	Pickard	D26/138
D608,498	S	*	1/2010	Beigel	D26/139
D648,322	S	*	11/2011	Peng	D14/216
D653,799	S	*	2/2012	Baker	D26/138
D654,214	S	*	2/2012	Huang	D26/139
D661,011	S	*	5/2012	Parkes	D26/139
D661,012	S	*	5/2012	Parkes	D26/139
D667,989	S		9/2012	May		
D668,380	S		10/2012	May		
D681,871	S	*	5/2013	Yang	D26/139
D687,742	S	*	8/2013	Lin	D12/114
D747,540	S	*	1/2016	Serwacki	D26/138
D770,084	S	*	10/2016	Salomon	D26/138
2012/0025486	A1	*	2/2012	Armitage	B60R 11/0217 280/288.4

OTHER PUBLICATIONS

L.E.D. Speedo & Tach Bezels for '00-'13 Touring & Trike, obtained from www.kuryakyn.com/products/4734/led-speedo-tach-bezels, printed Oct. 19, 2015 (3 pages).

L.E.D. Speaker Bezels for Touring & Trike, obtained from www.kuryakyn.com/products/4734/led-speedo-tach-bezels, printed Oct. 19, 2015 (3 pages).

Driving Light Bezels for Indian, obtained from www.kuryakyn.com/products/4765/driving-light-bezels, printed Oct. 19, 2015 (3 pages).

* cited by examiner

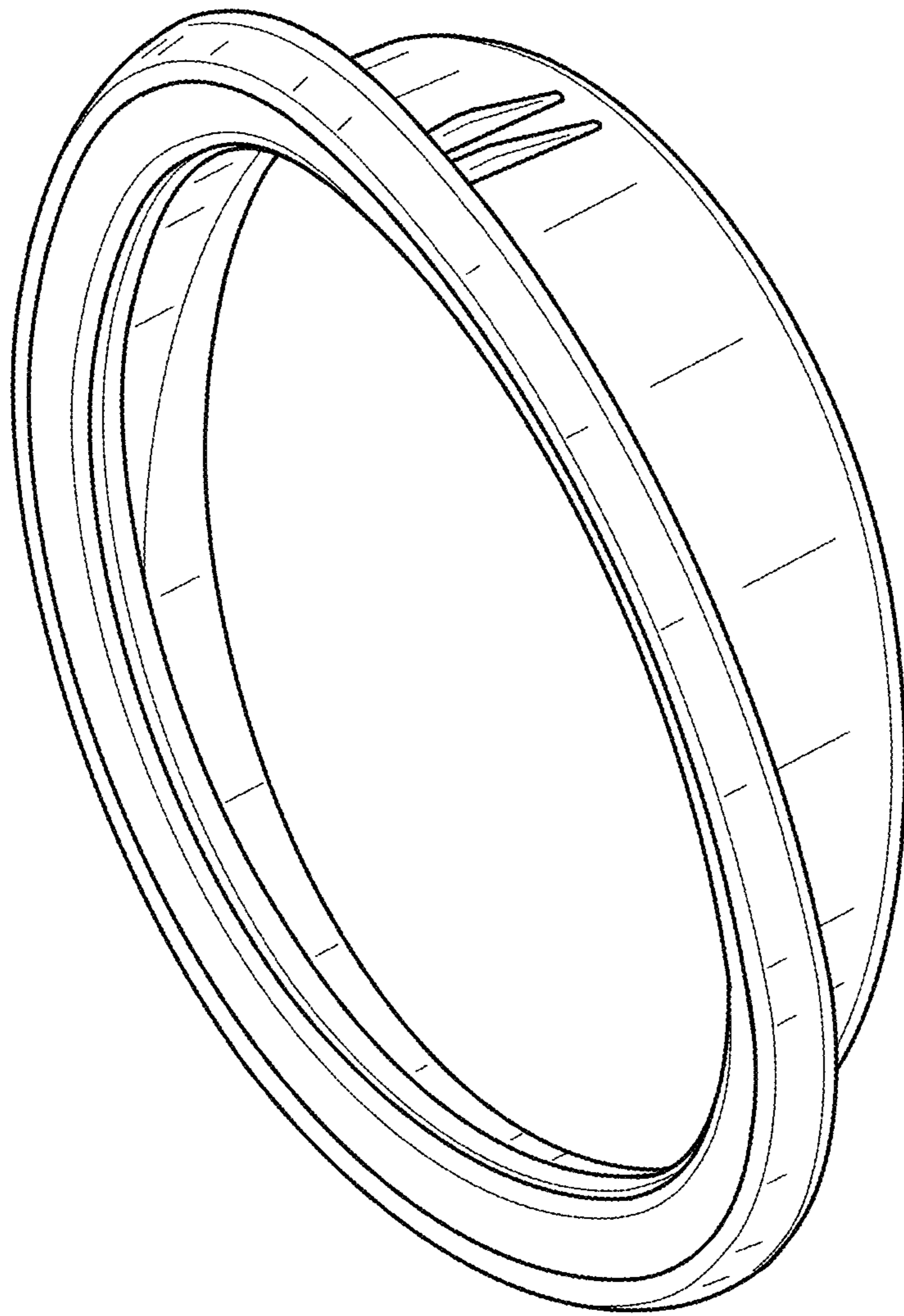


FIG. 1

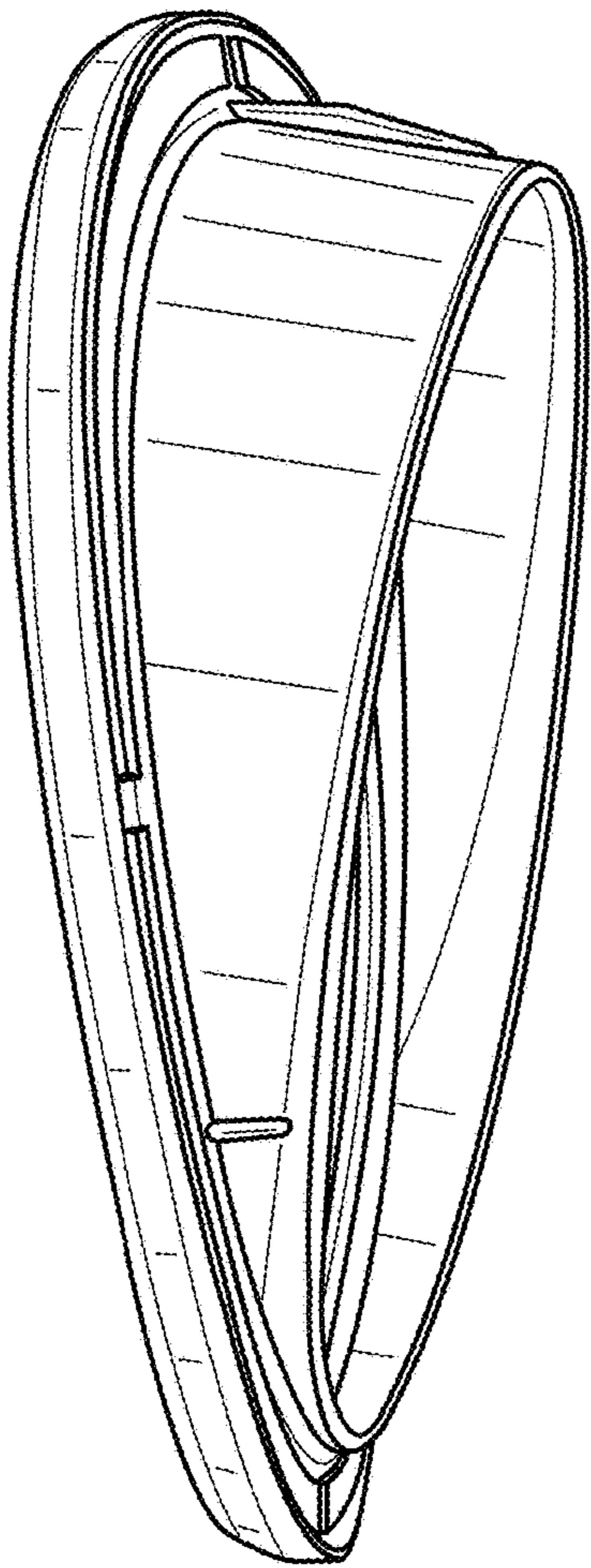


FIG. 2

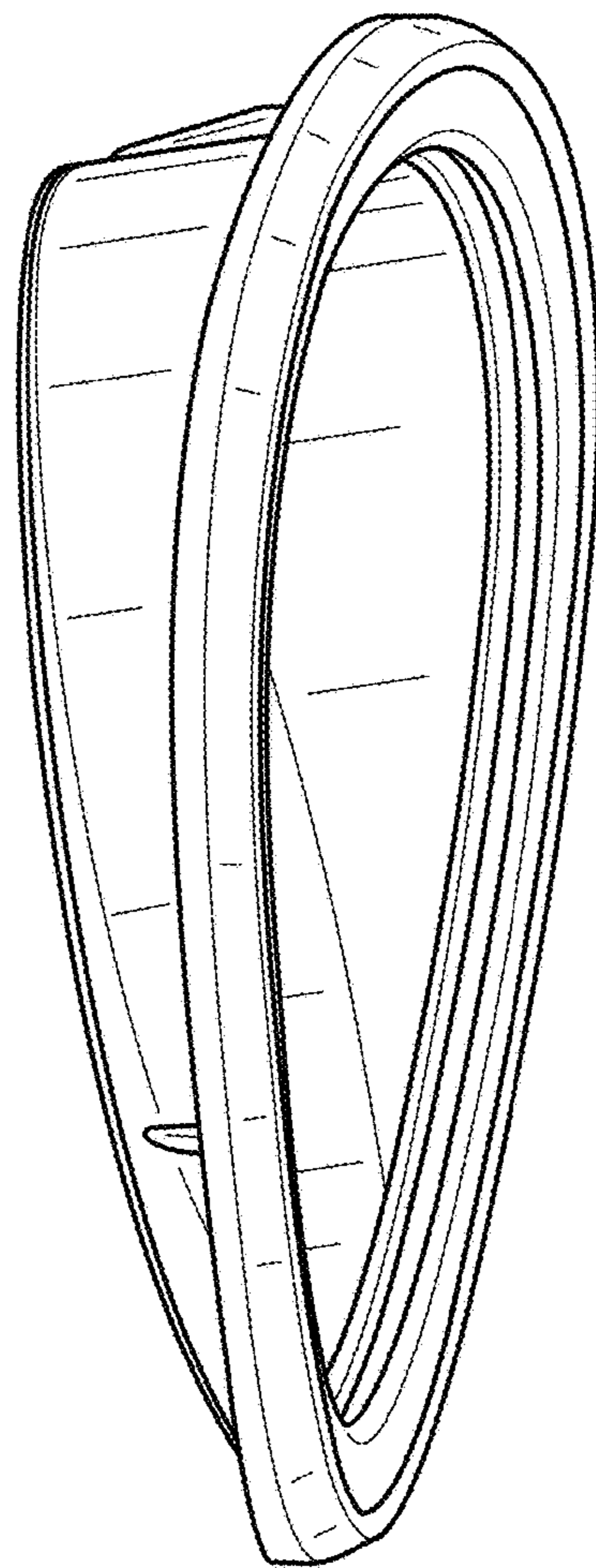


FIG. 3

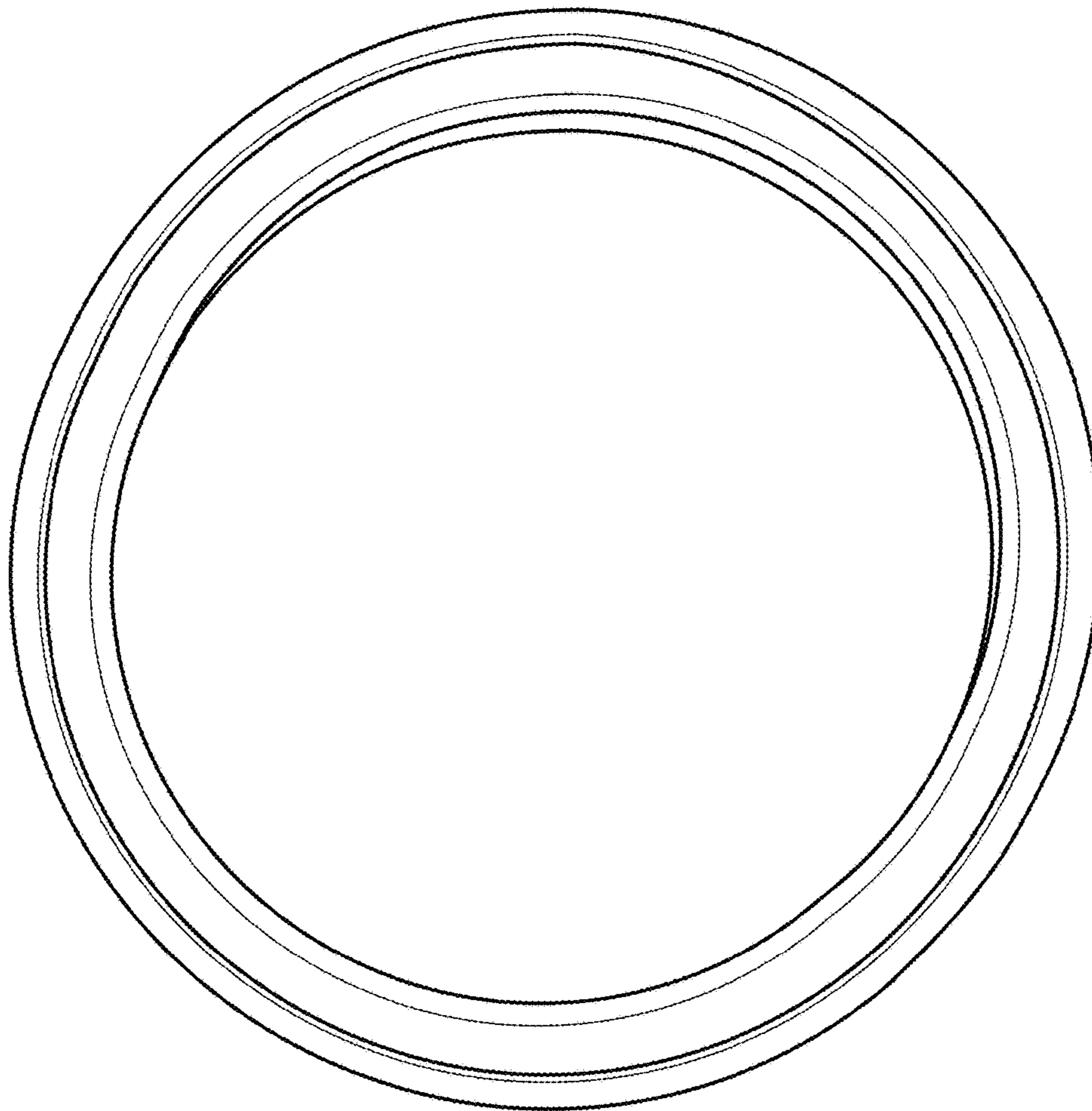


FIG. 4

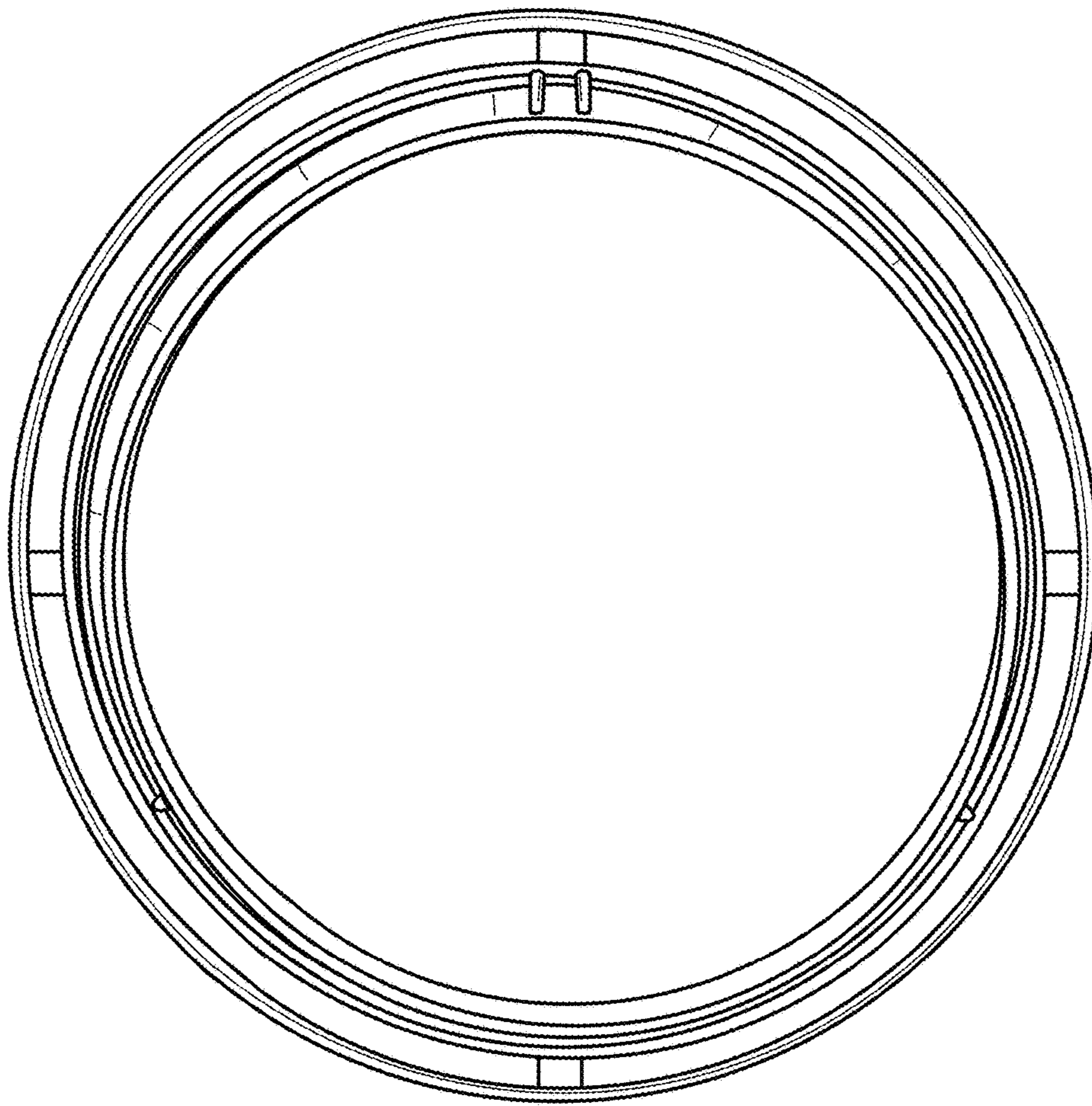


FIG. 5

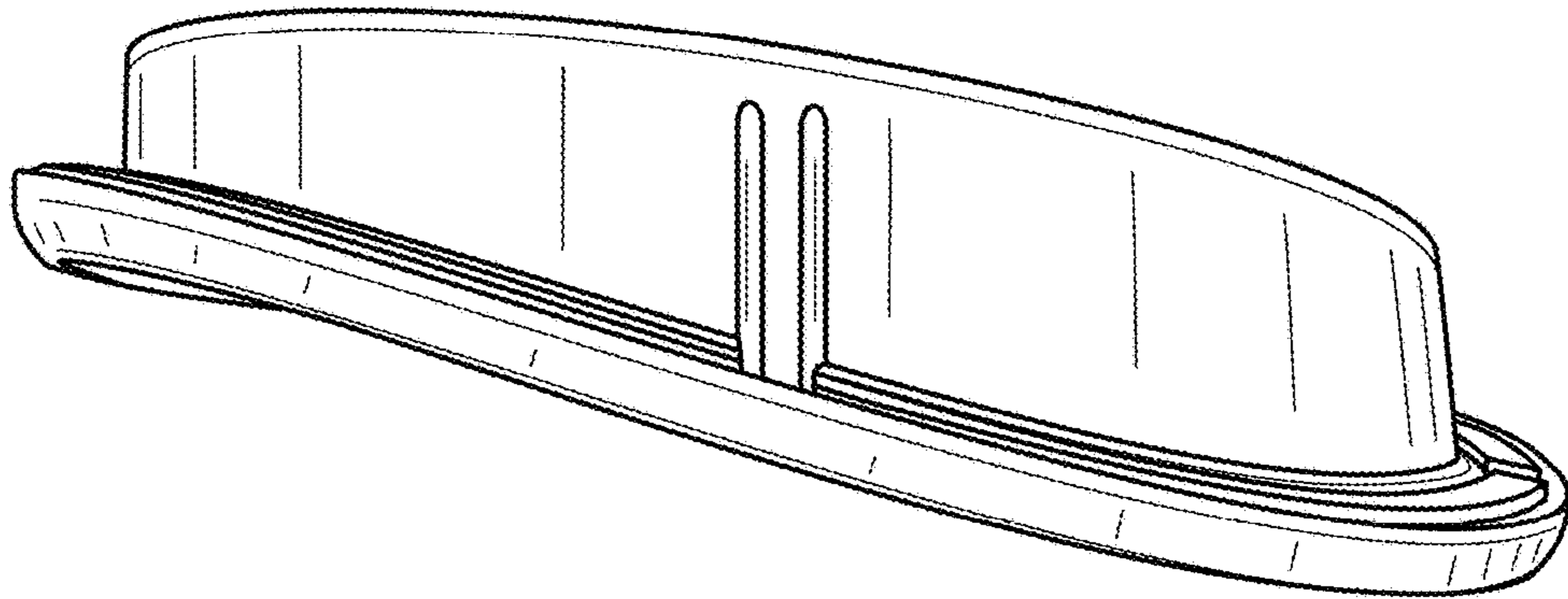


FIG. 6

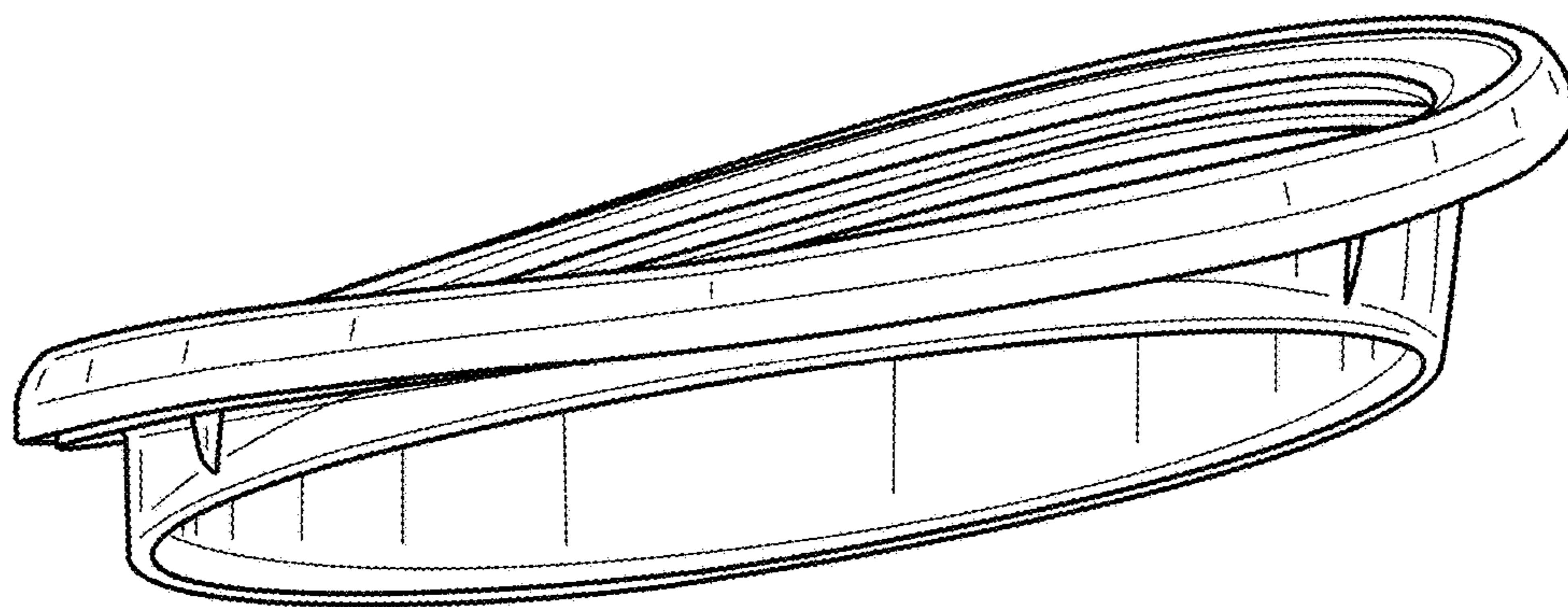


FIG. 7

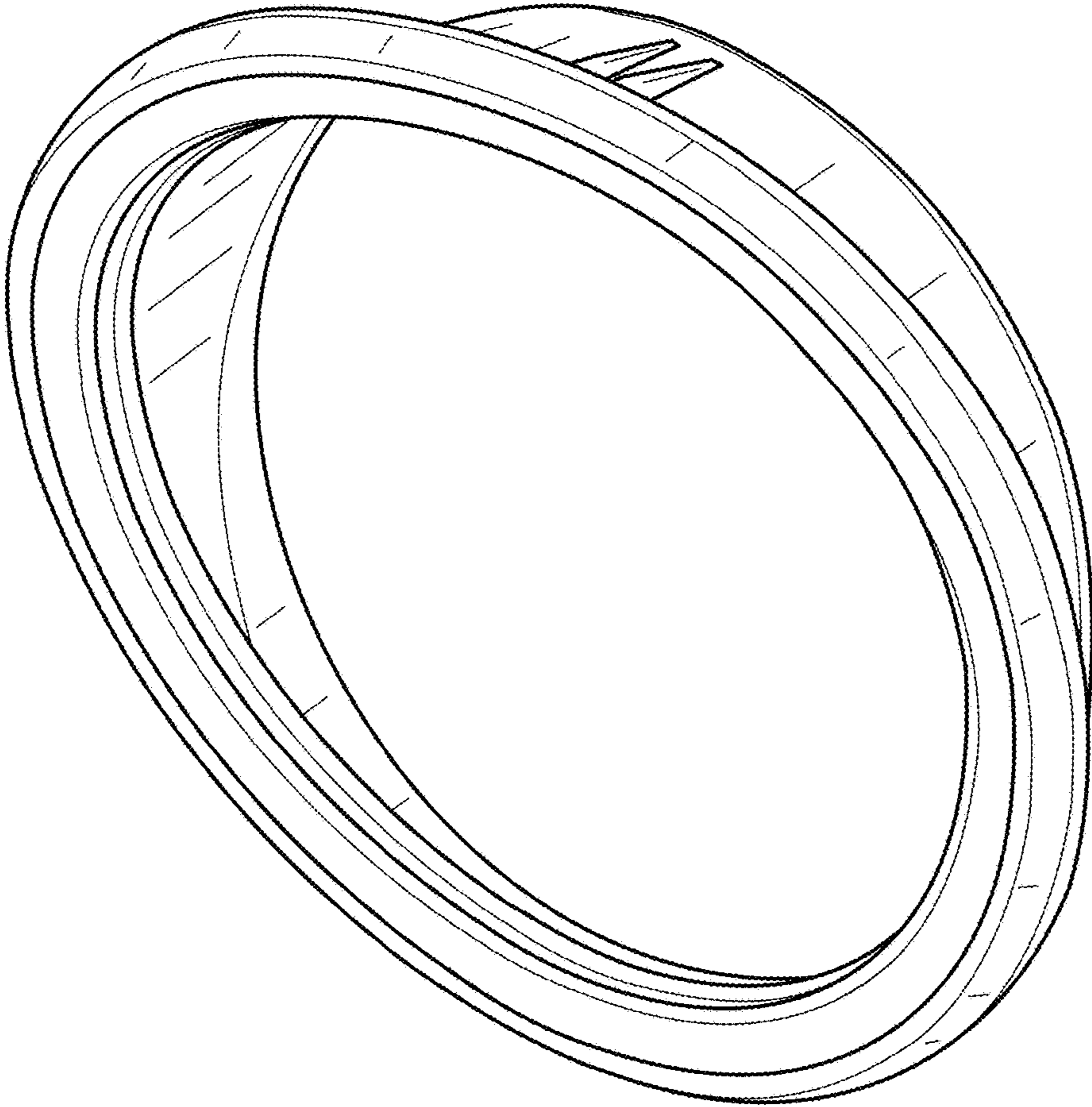


FIG. 8

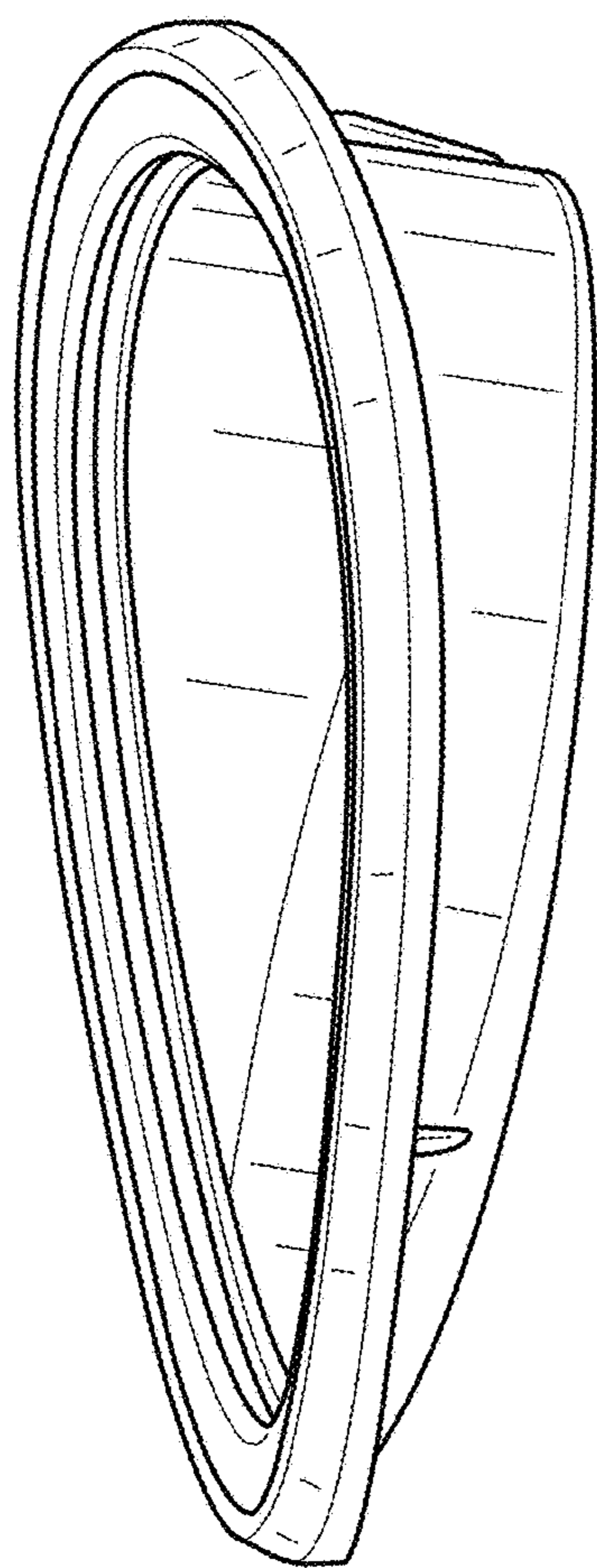


FIG. 9

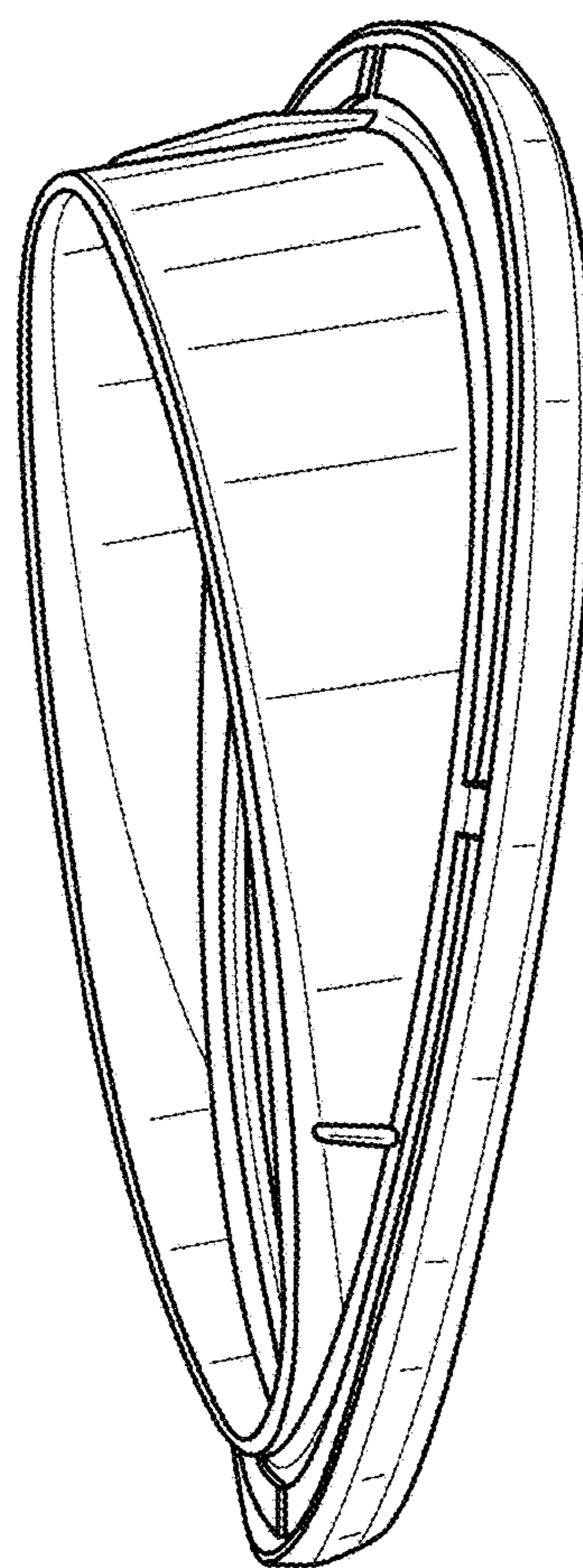


FIG. 10

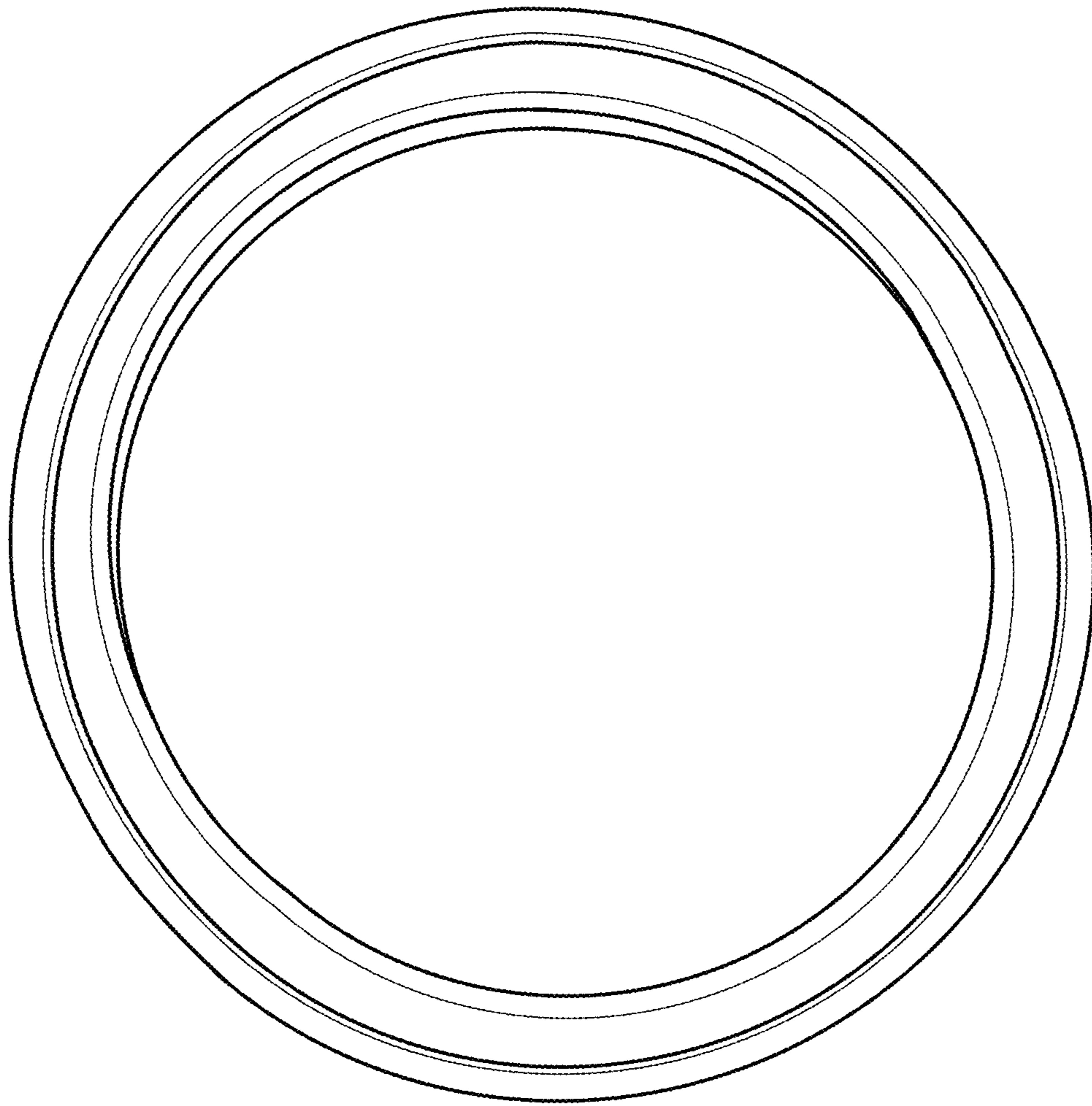


FIG. 11

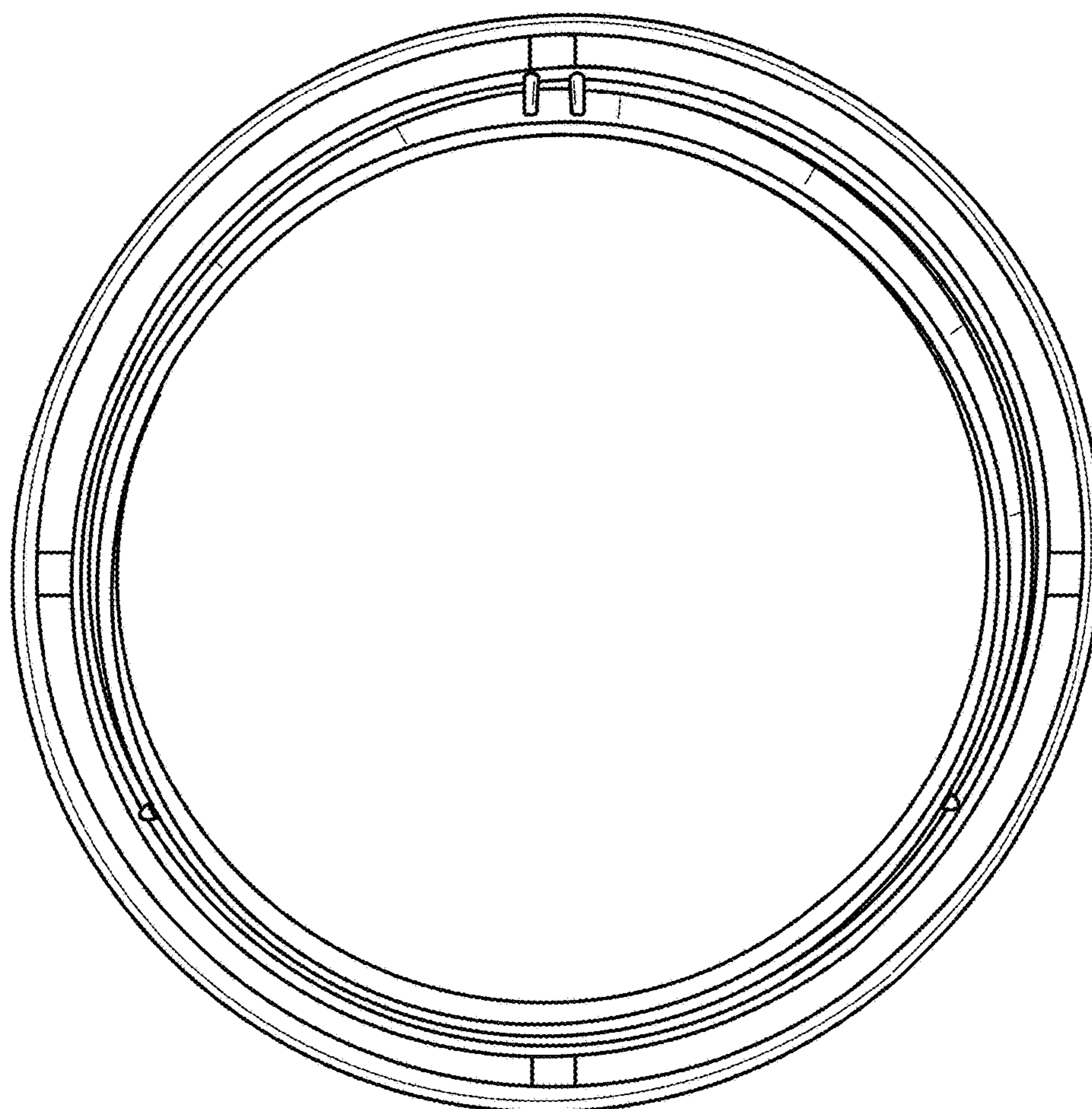


FIG. 12

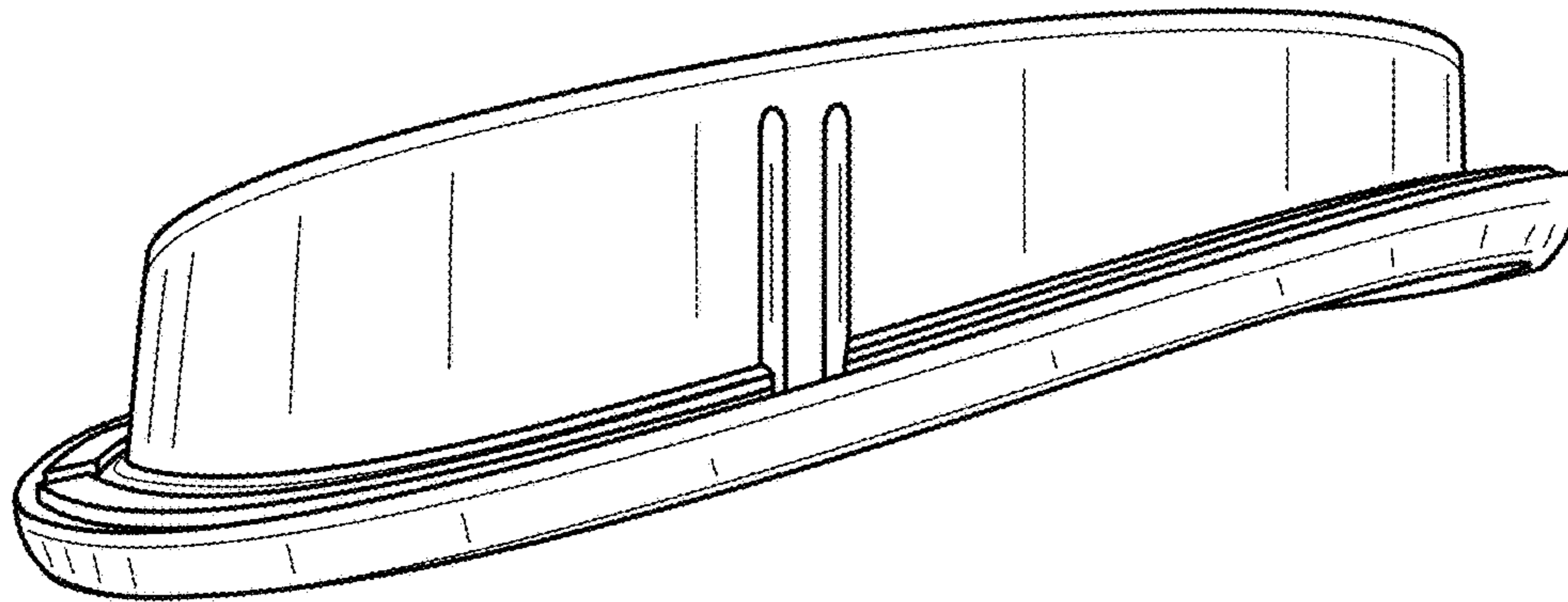


FIG. 13

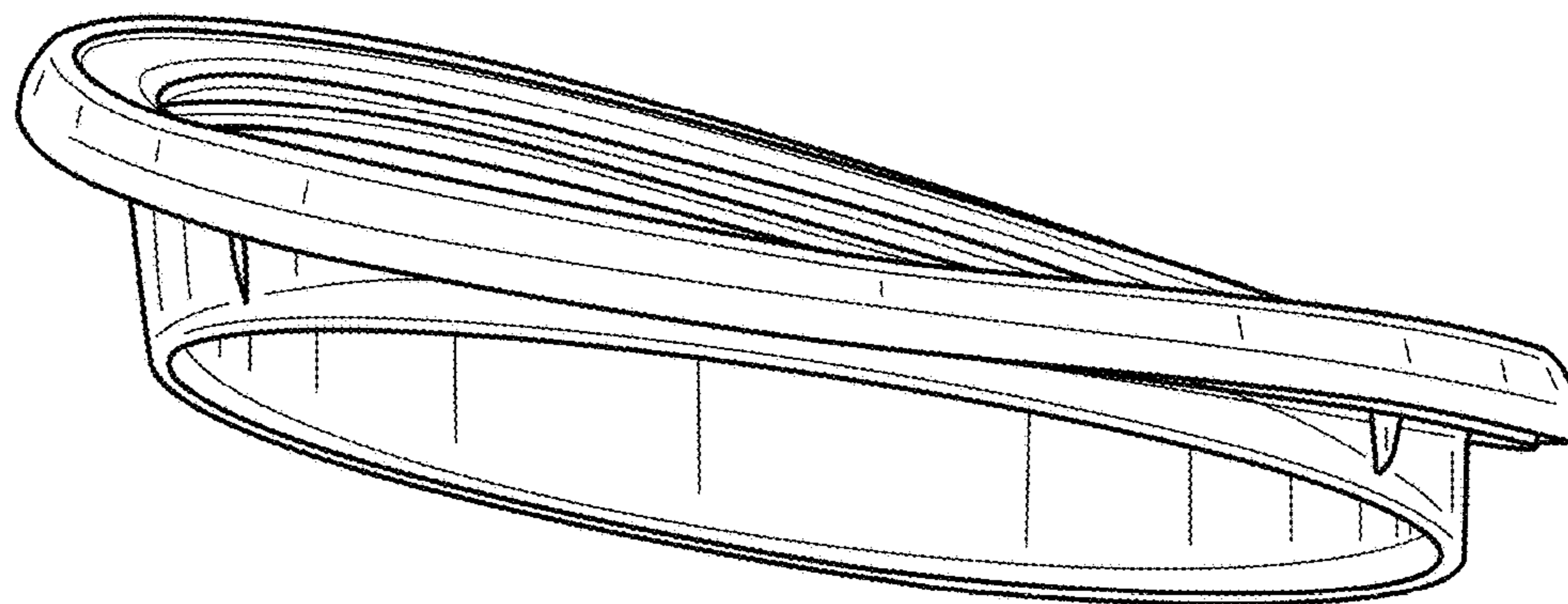


FIG. 14

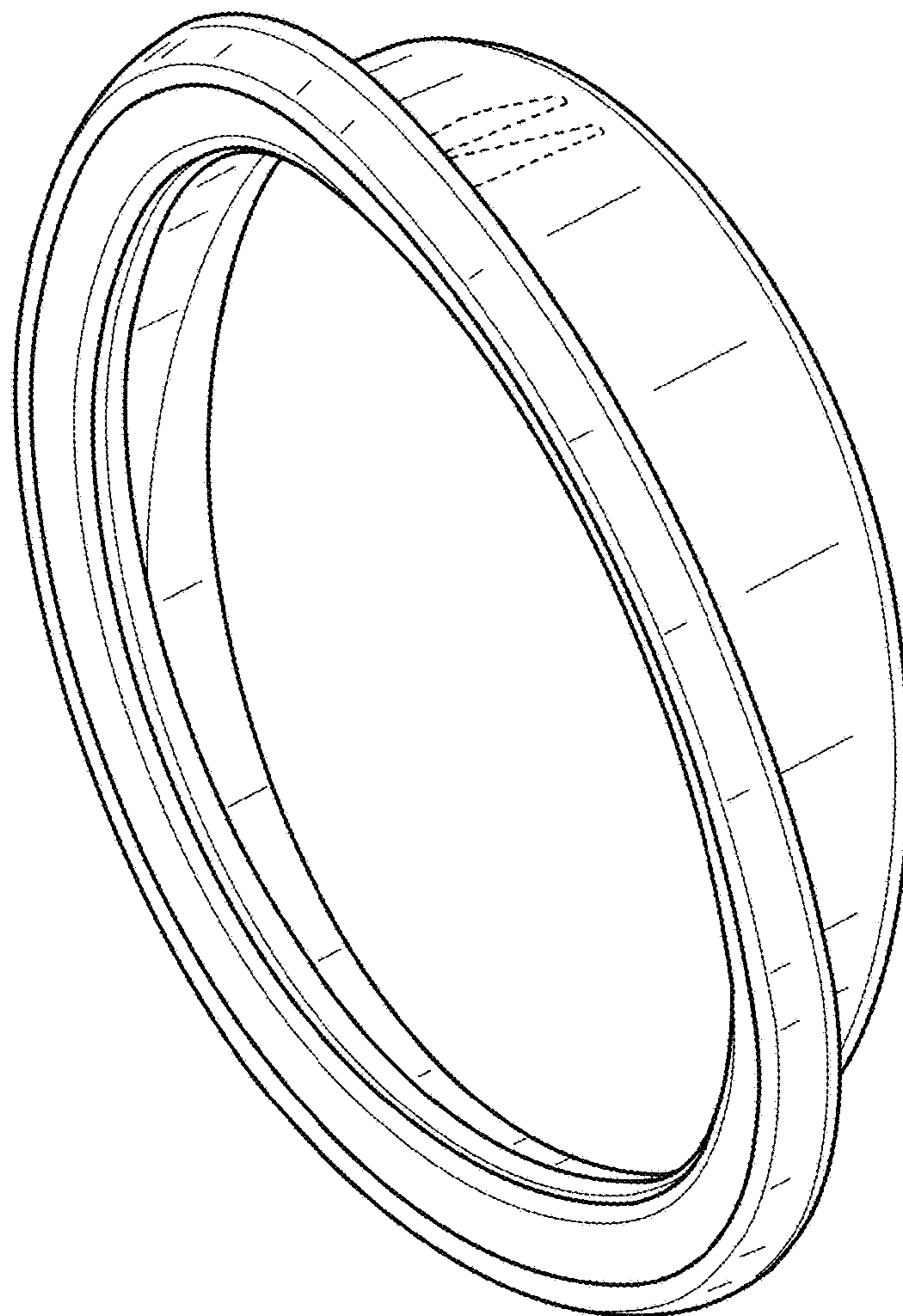


FIG. 15

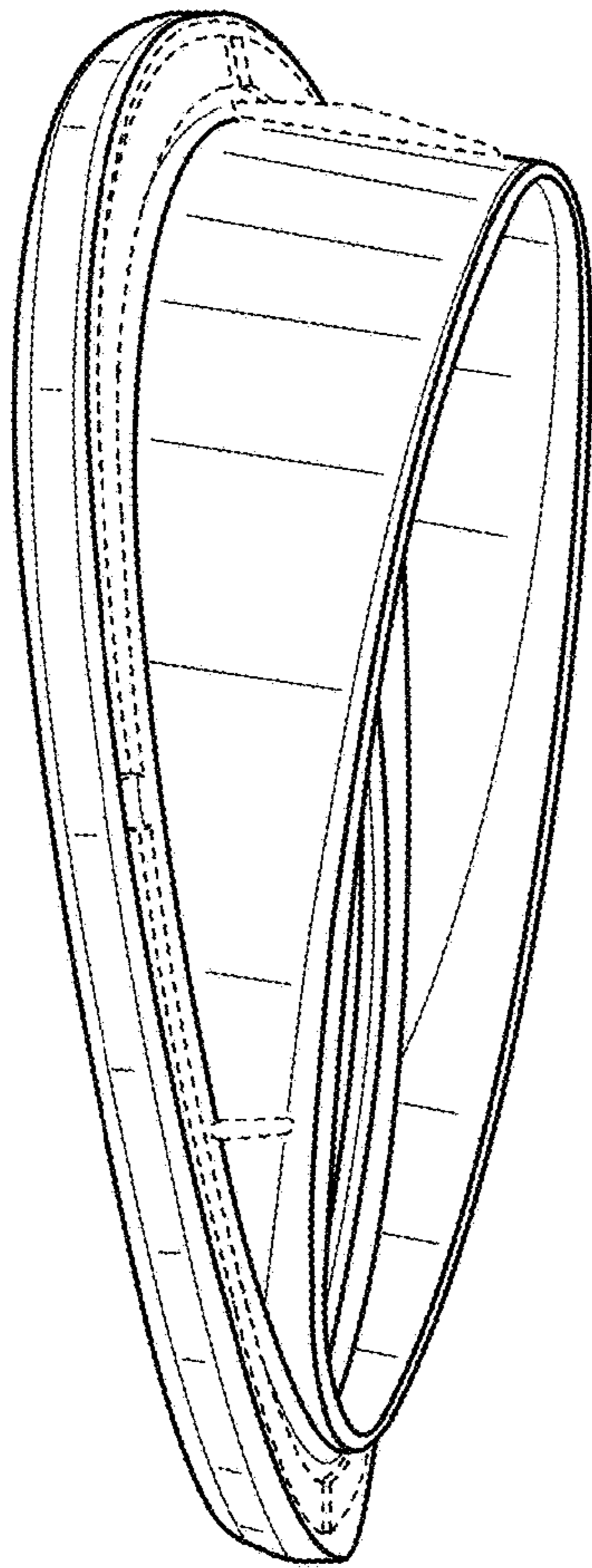


FIG. 16

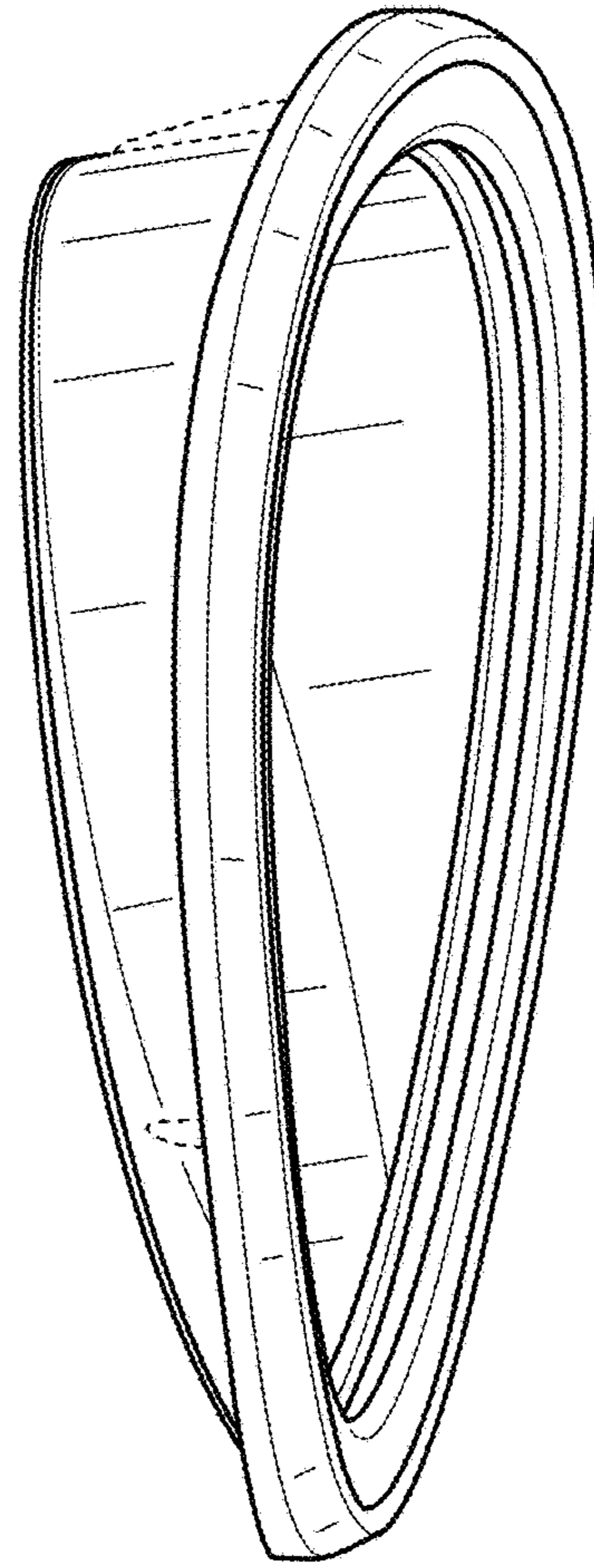


FIG. 17

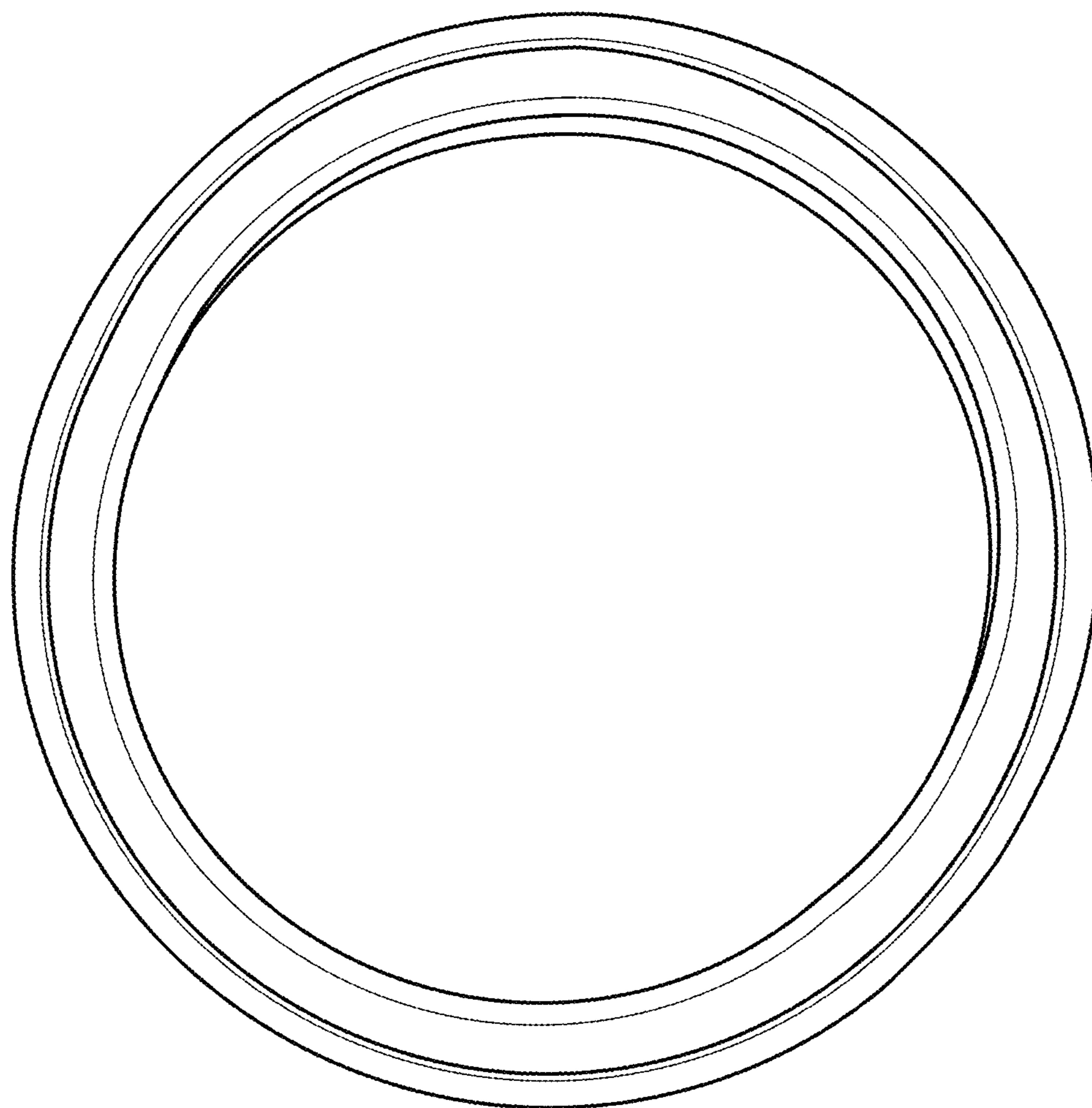


FIG. 18

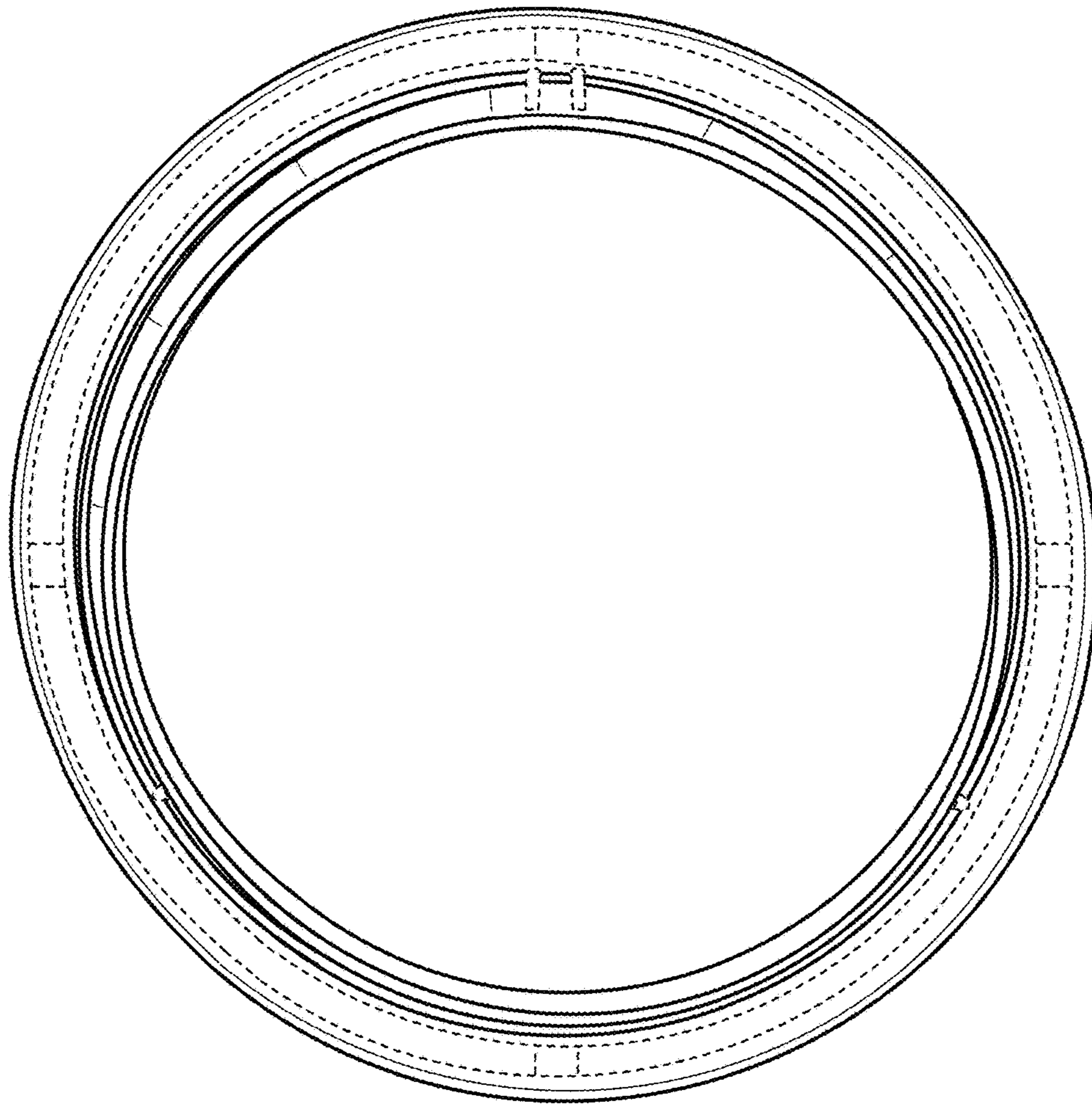


FIG. 19

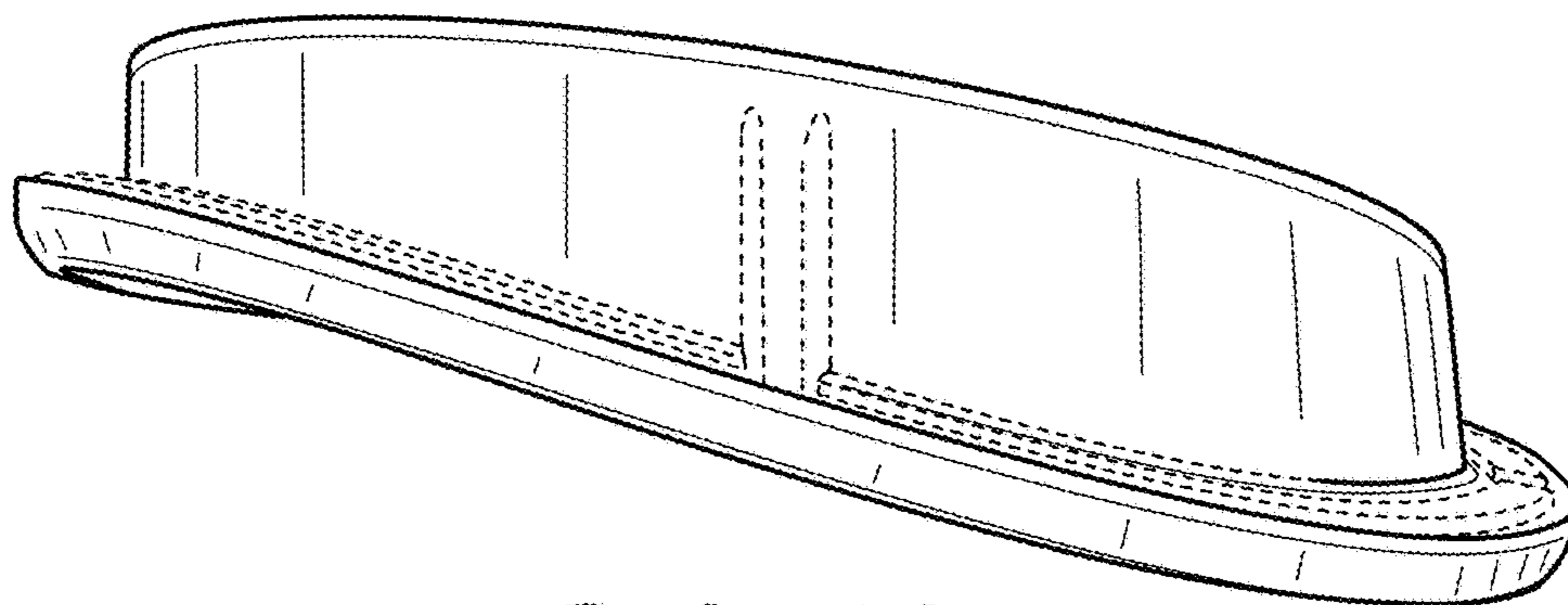


FIG. 20

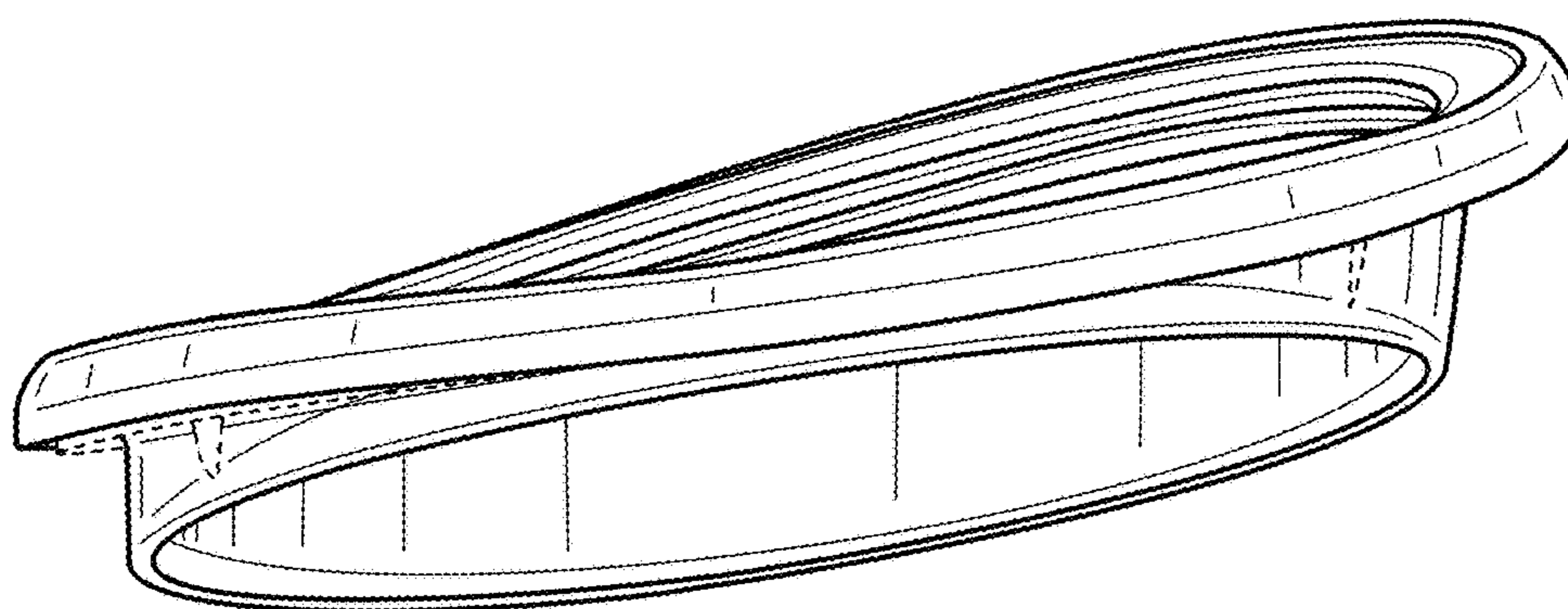


FIG. 21

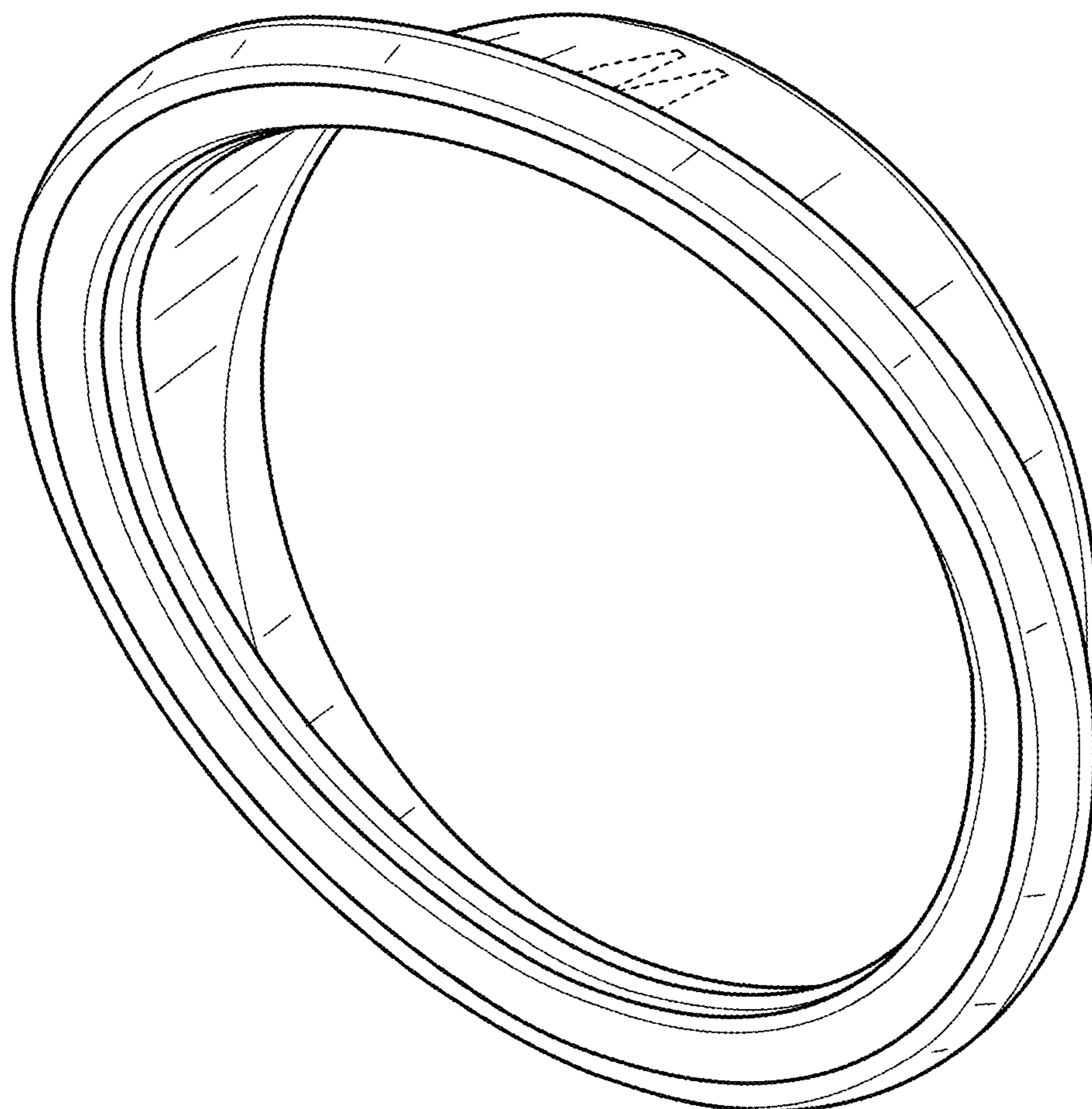


FIG. 22

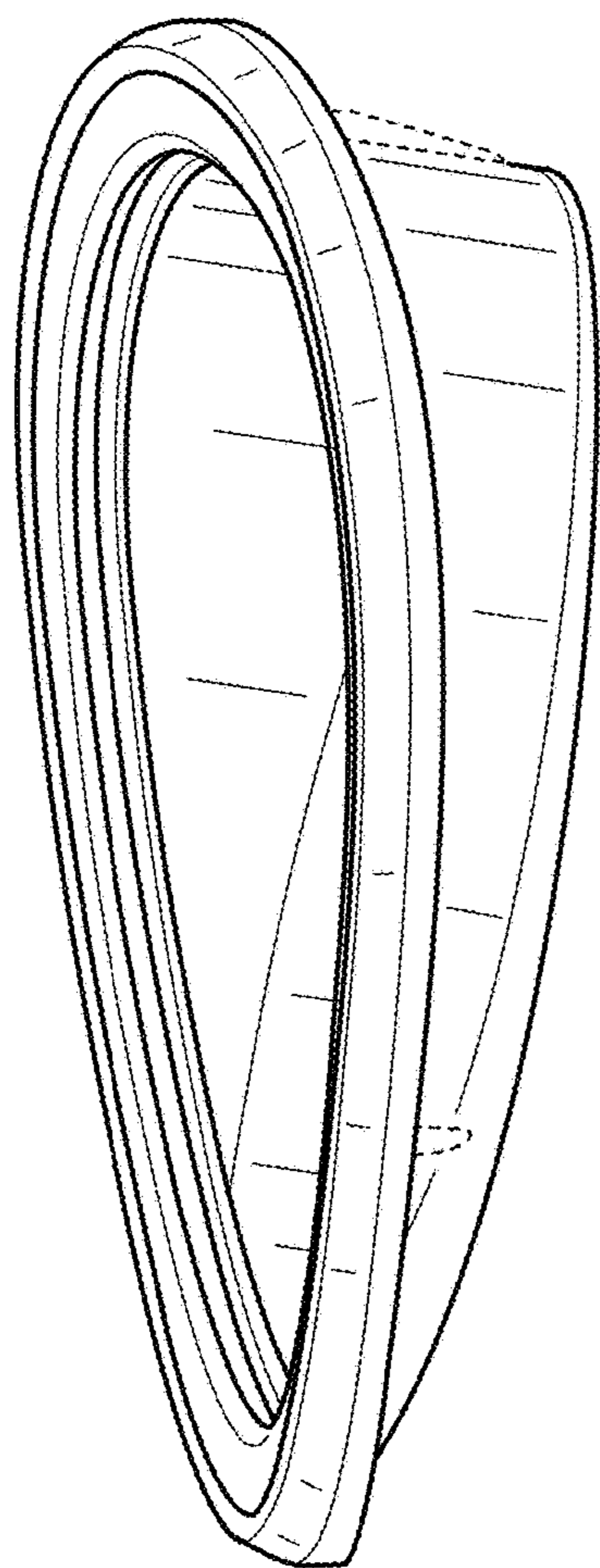


FIG. 23

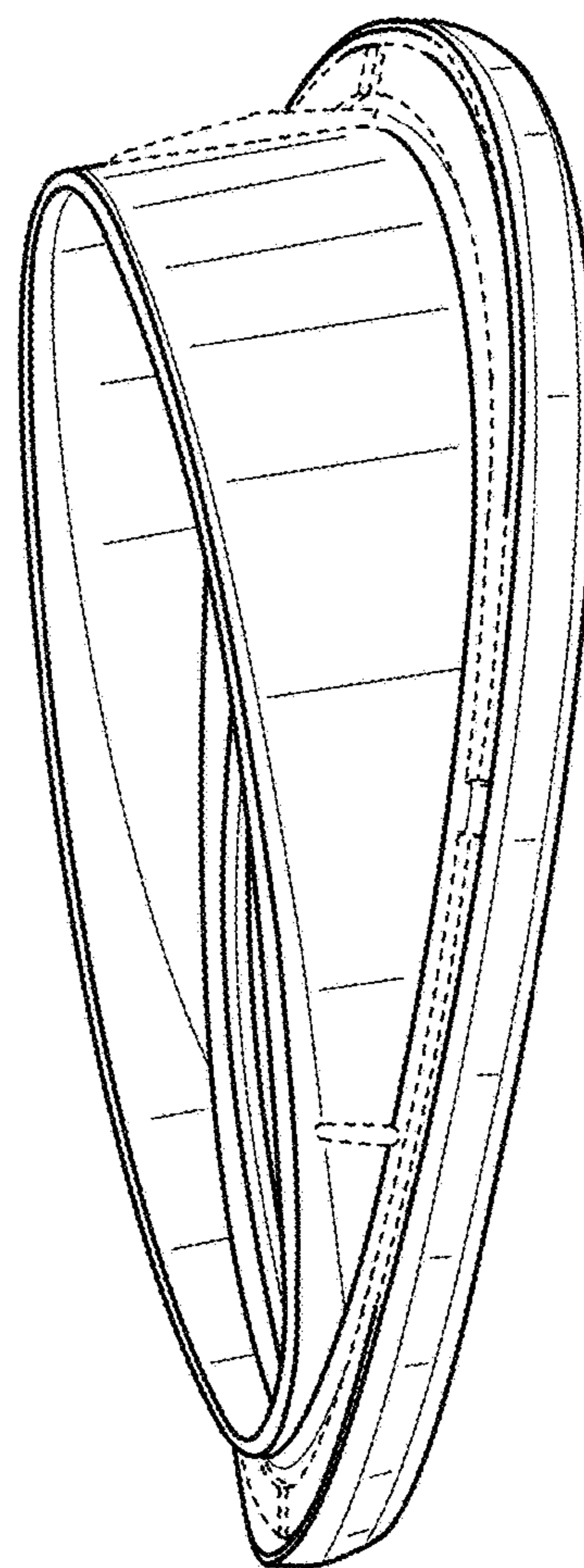


FIG. 24

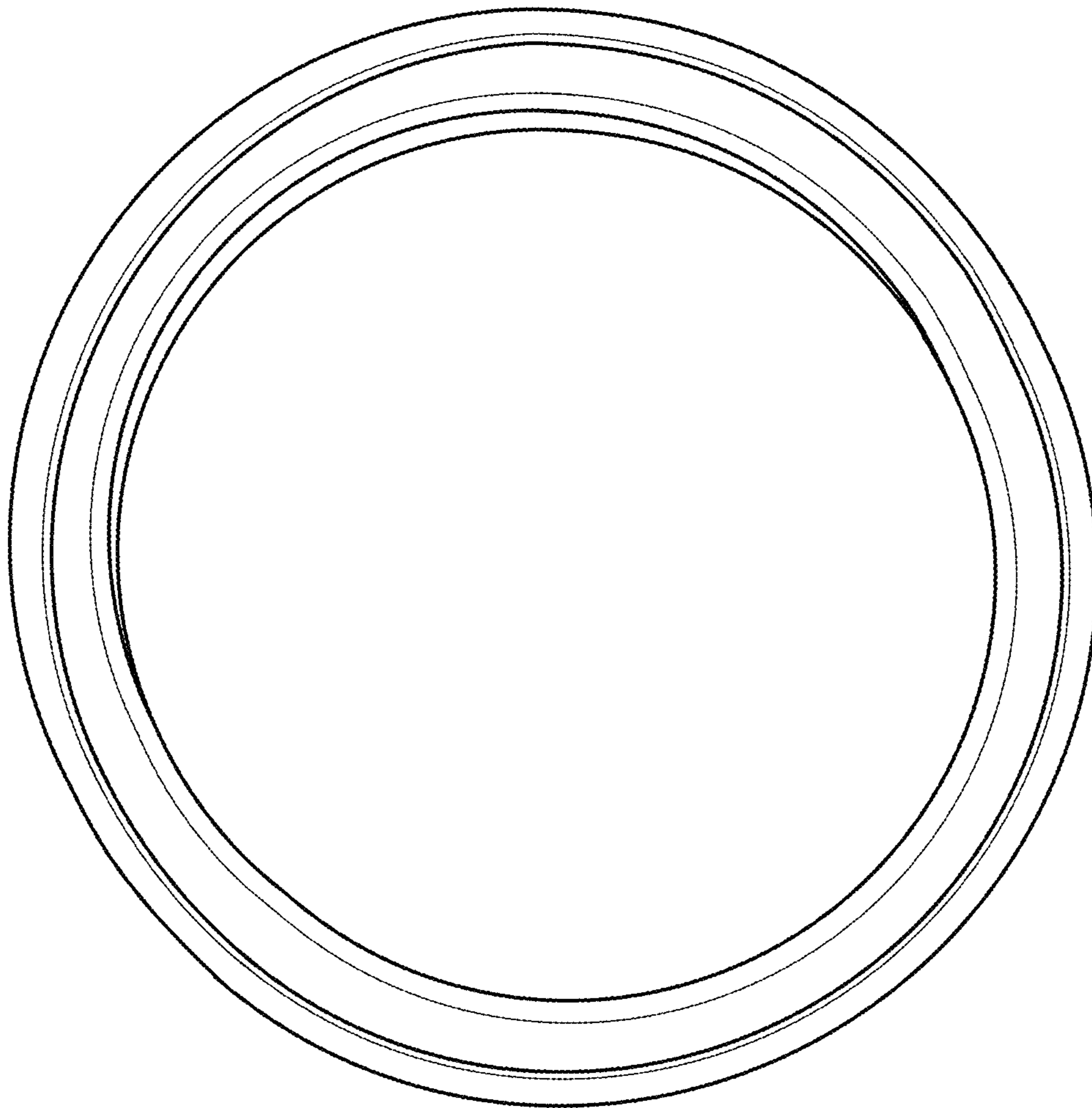


FIG. 25

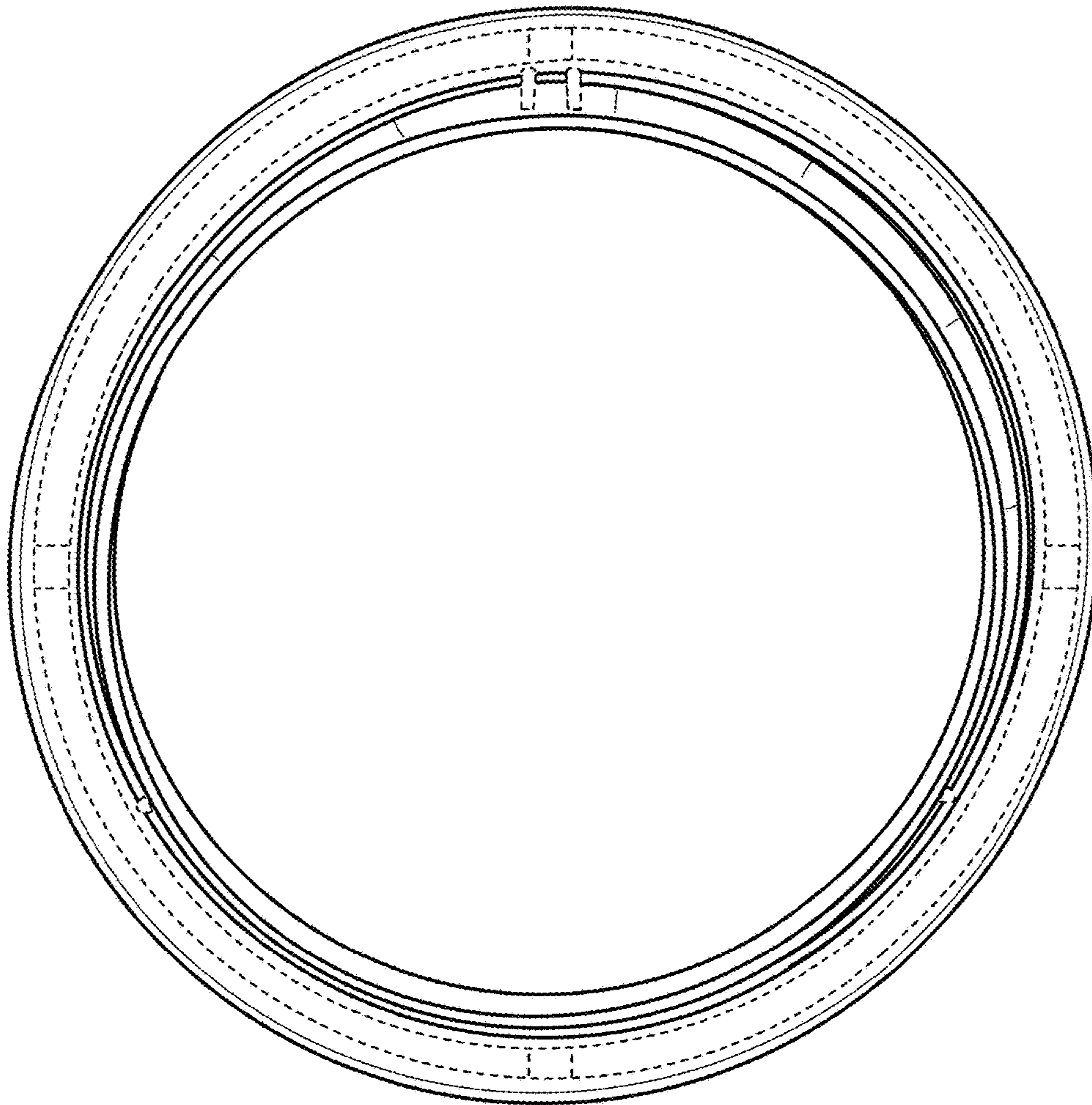


FIG. 26

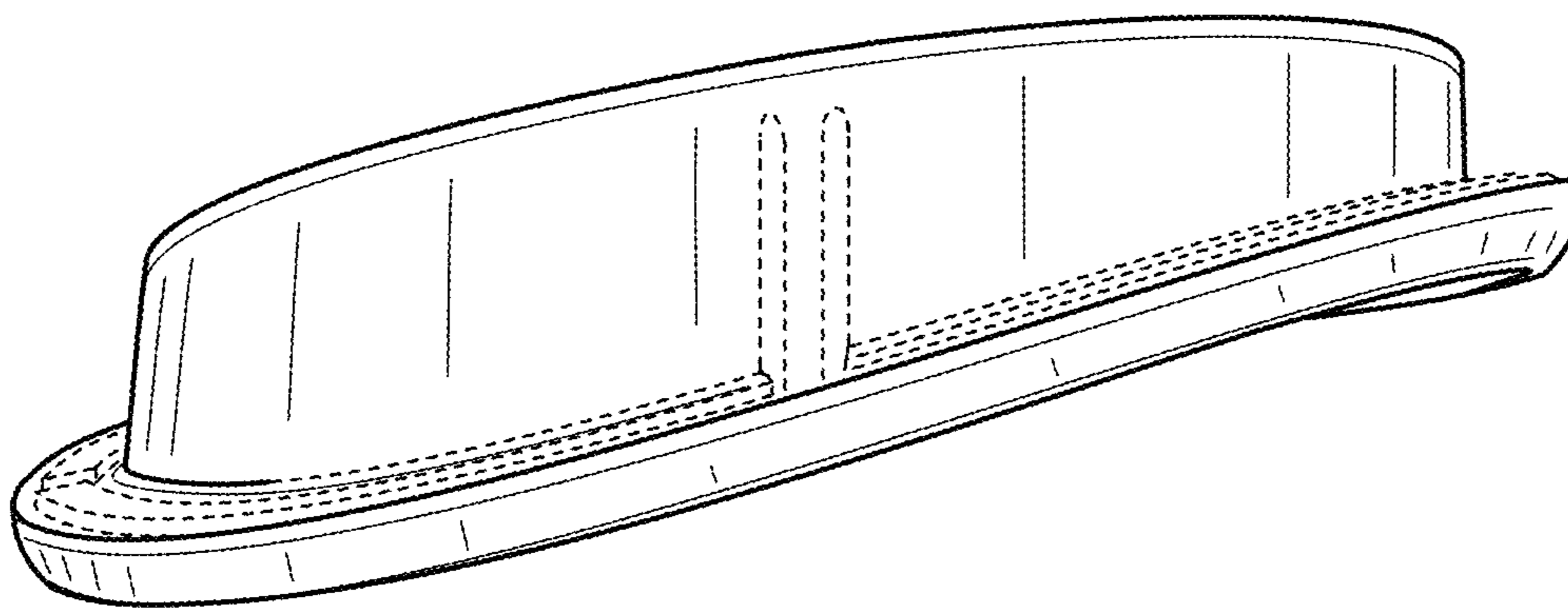


FIG. 27

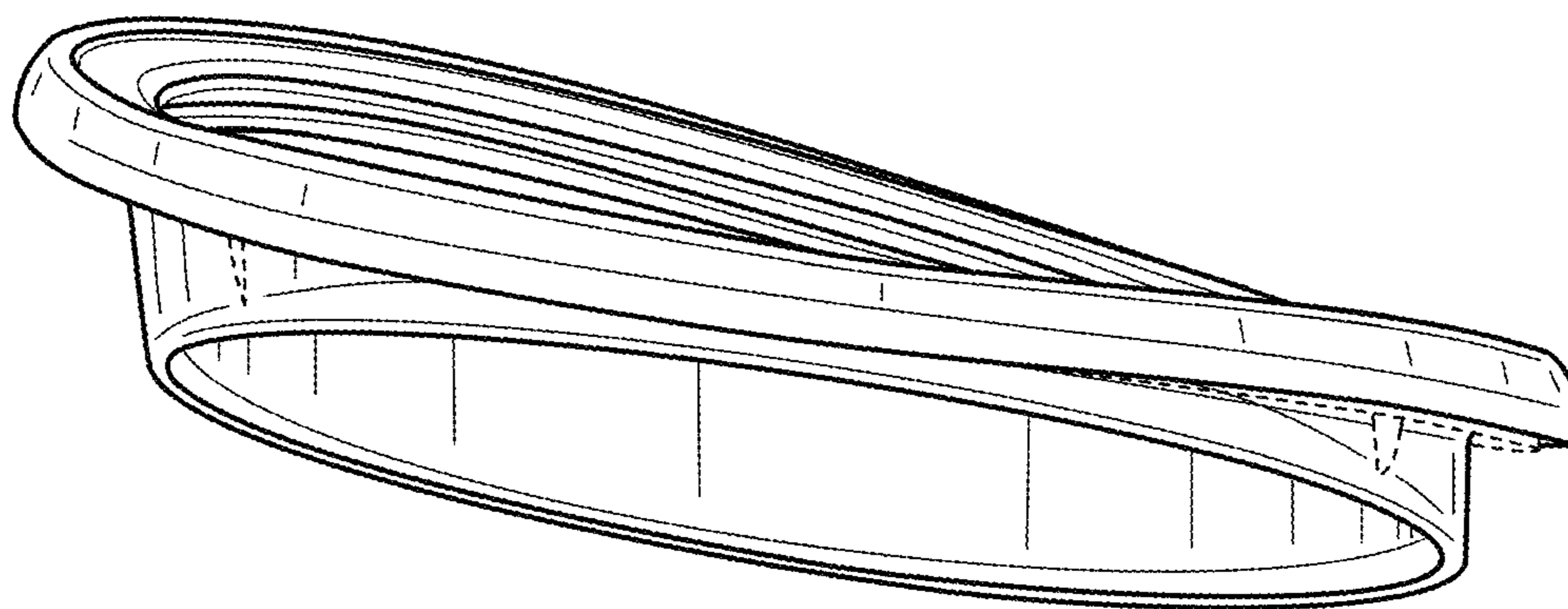


FIG. 28