



US00D797609S

(12) **United States Design Patent** (10) **Patent No.:** **US D797,609 S**
Gonzalez-Gancedo Carrillo-Albornoz (45) **Date of Patent:** **** Sep. 19, 2017**

(54) **MOTORIZED BICYCLE**
(71) Applicant: **BULTACO MOTORS SL**, Madrid (ES)
(72) Inventor: **Jose Maria Gonzalez-Gancedo Carrillo-Albornoz**, Sitges (ES)
(73) Assignee: **BULTACO MOTORS SL**, Madrid (ES)
(**) Term: **15 Years**
(21) Appl. No.: **29/560,069**
(22) Filed: **Apr. 1, 2016**
(30) **Foreign Application Priority Data**

D519,416 S * 4/2006 Wu D12/111
D529,843 S * 10/2006 Pizzi D12/111
D578,042 S * 10/2008 Yang D12/111
D587,630 S * 3/2009 Yang D12/111
D614,084 S * 4/2010 Tanaka D12/111
D620,400 S * 7/2010 Haller D12/111
D620,401 S * 7/2010 Haller D12/111
D621,302 S * 8/2010 Tanaka D12/111
D621,303 S * 8/2010 Tanaka D12/111
D626,037 S * 10/2010 Thetard D12/111
D670,208 S * 11/2012 Frenzel D12/111
D685,683 S * 7/2013 Shaw D12/111
D686,540 S * 7/2013 Hinderhofer D12/111
D720,260 S * 12/2014 Yoshida D12/111
D727,214 S * 4/2015 Yang D12/111
D727,215 S * 4/2015 Yang D12/111
D730,779 S * 6/2015 Arbour D12/111
D774,971 S * 12/2016 Lambri D12/111
9,611,002 B1 * 4/2017 Shum B62M 6/50
2013/0001000 A1 * 1/2013 Krieger B62M 6/45
180/206.3

Oct. 9, 2015 (EM) 002817601-0001
(51) **LOC (10) Cl.** **12-11**
(52) **U.S. Cl.**
USPC **D12/111**
(58) **Field of Classification Search**
USPC D12/111, 117, 406, 407
CPC . B62K 3/00; B62K 3/005; B62K 9/00; B62K
19/00; B62K 19/02; B62K 19/04; B62K
19/06; B62K 19/16
See application file for complete search history.

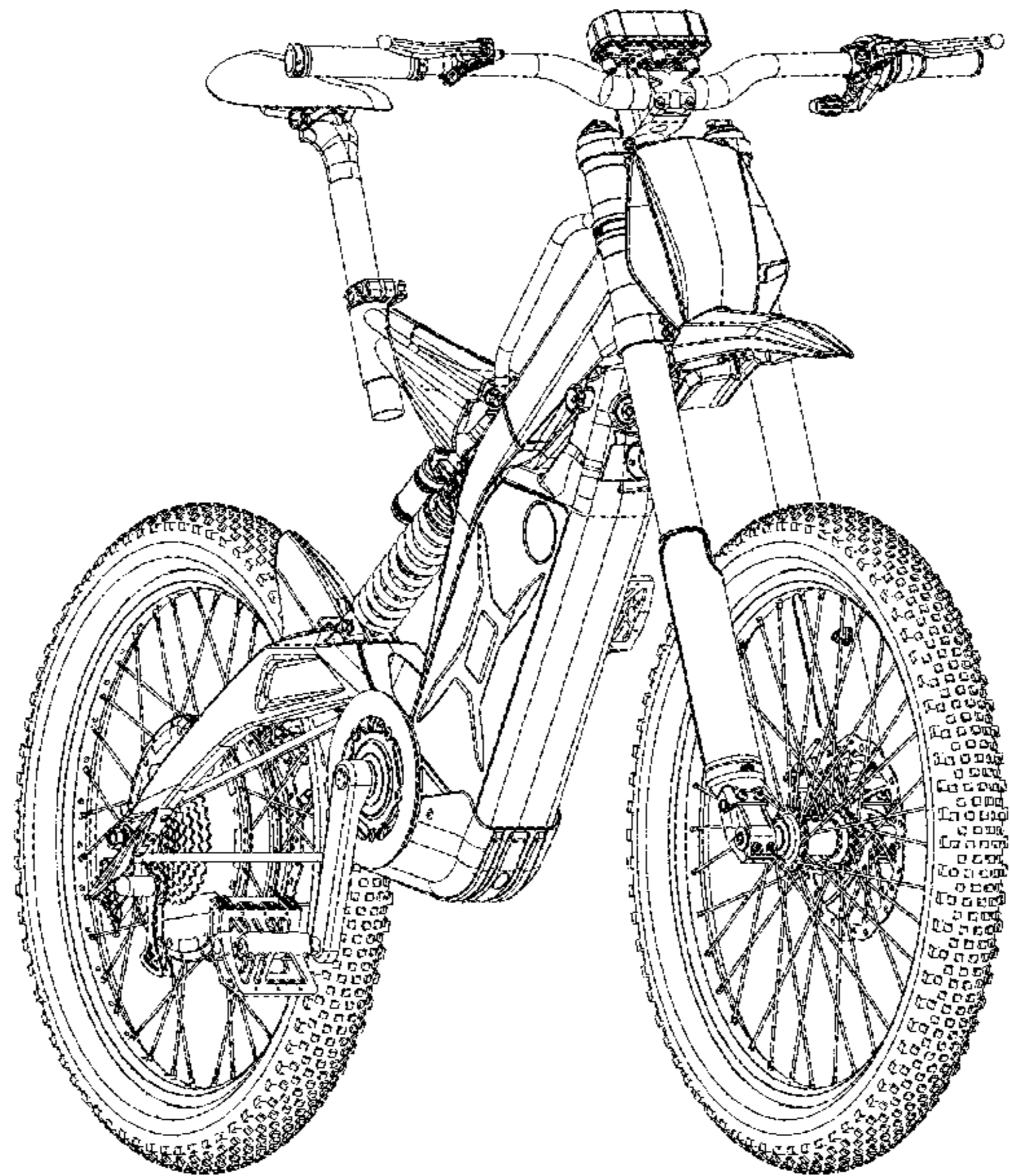
(56) **References Cited**
U.S. PATENT DOCUMENTS
D342,926 S * 1/1994 Russell D12/111
5,857,537 A * 1/1999 Matsumoto B62M 6/60
180/206.2
D414,721 S * 10/1999 Nakamura D12/110
D485,512 S * 1/2004 Liu D12/111
D491,111 S * 6/2004 Mizuta D12/111
D498,438 S * 11/2004 Ying D12/111

* cited by examiner
Primary Examiner — Darlington Ly
(74) *Attorney, Agent, or Firm* — Knobbe Martens Olson & Bear LLP

(57) **CLAIM**
The ornamental design for a motorized bicycle, as shown.

DESCRIPTION
FIG. 1 is a perspective view of a motorized bicycle showing my new design;
FIG. 2 is a right side elevation view thereof;
FIG. 3 is a left side elevation view thereof;
FIG. 4 is a front elevation view thereof;
FIG. 5 is a rear elevation view thereof;
FIG. 6 is a top plan view thereof; and,
FIG. 7 is a bottom plan view thereof.

1 Claim, 6 Drawing Sheets



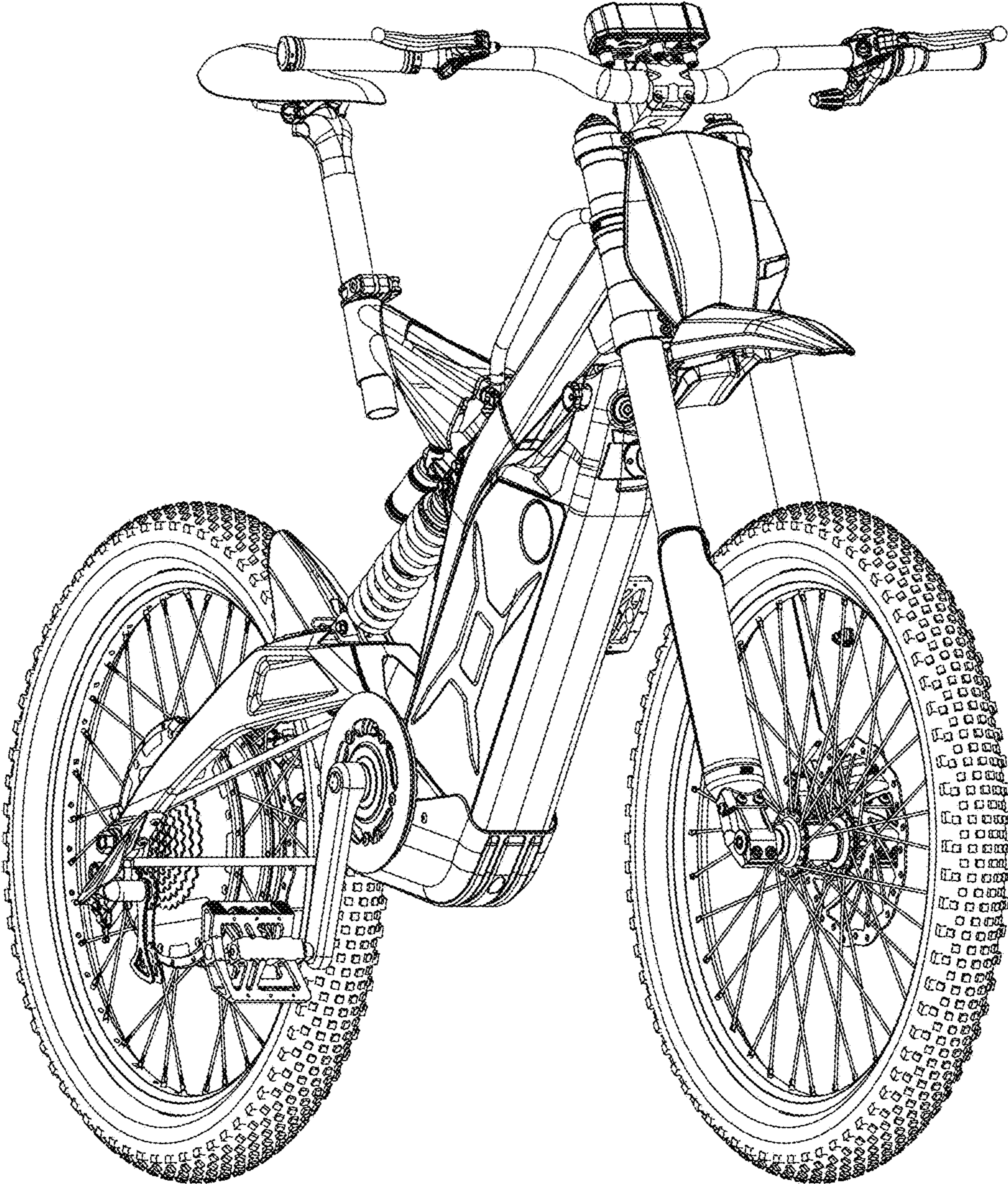


FIG. 1

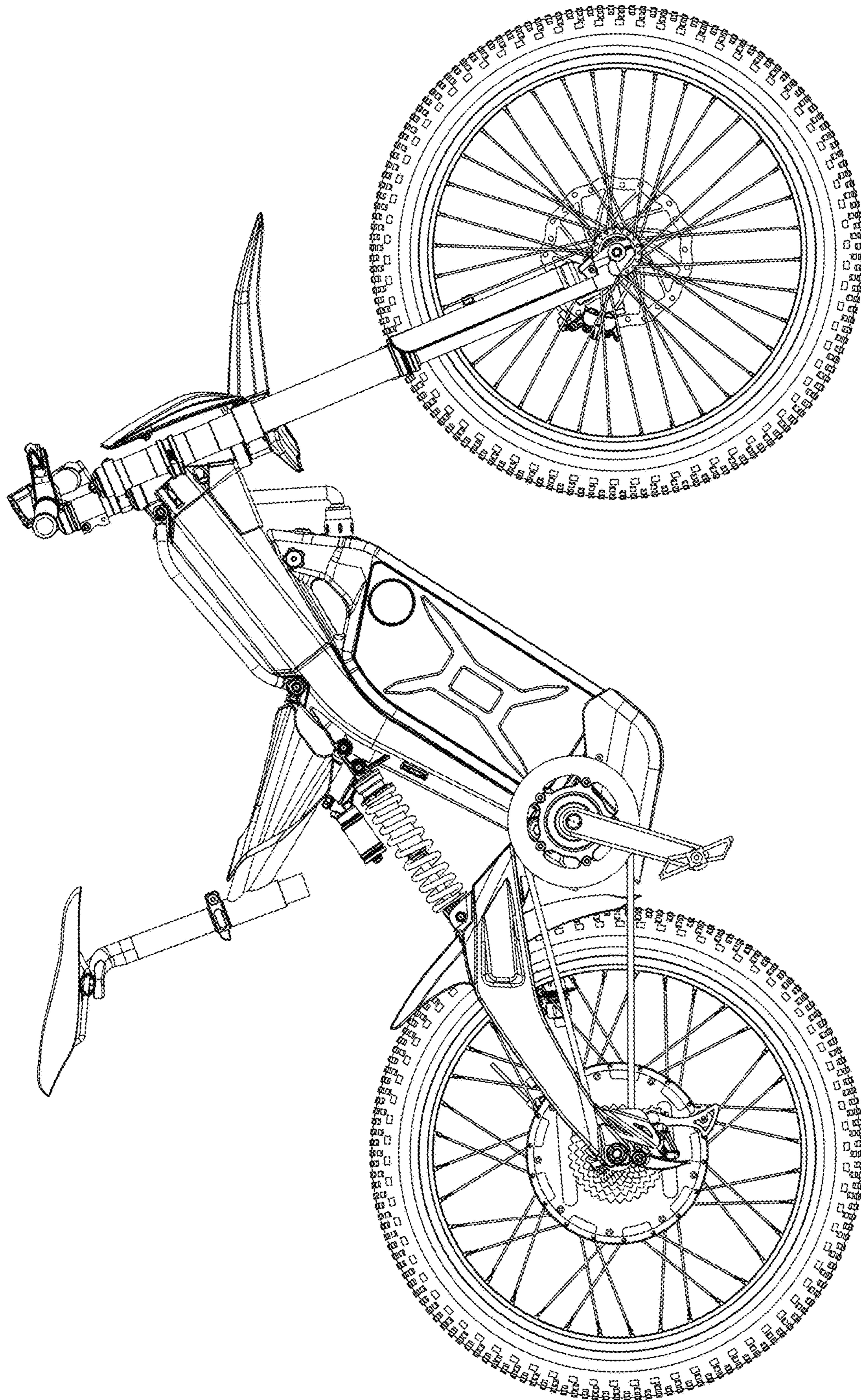


FIG. 2

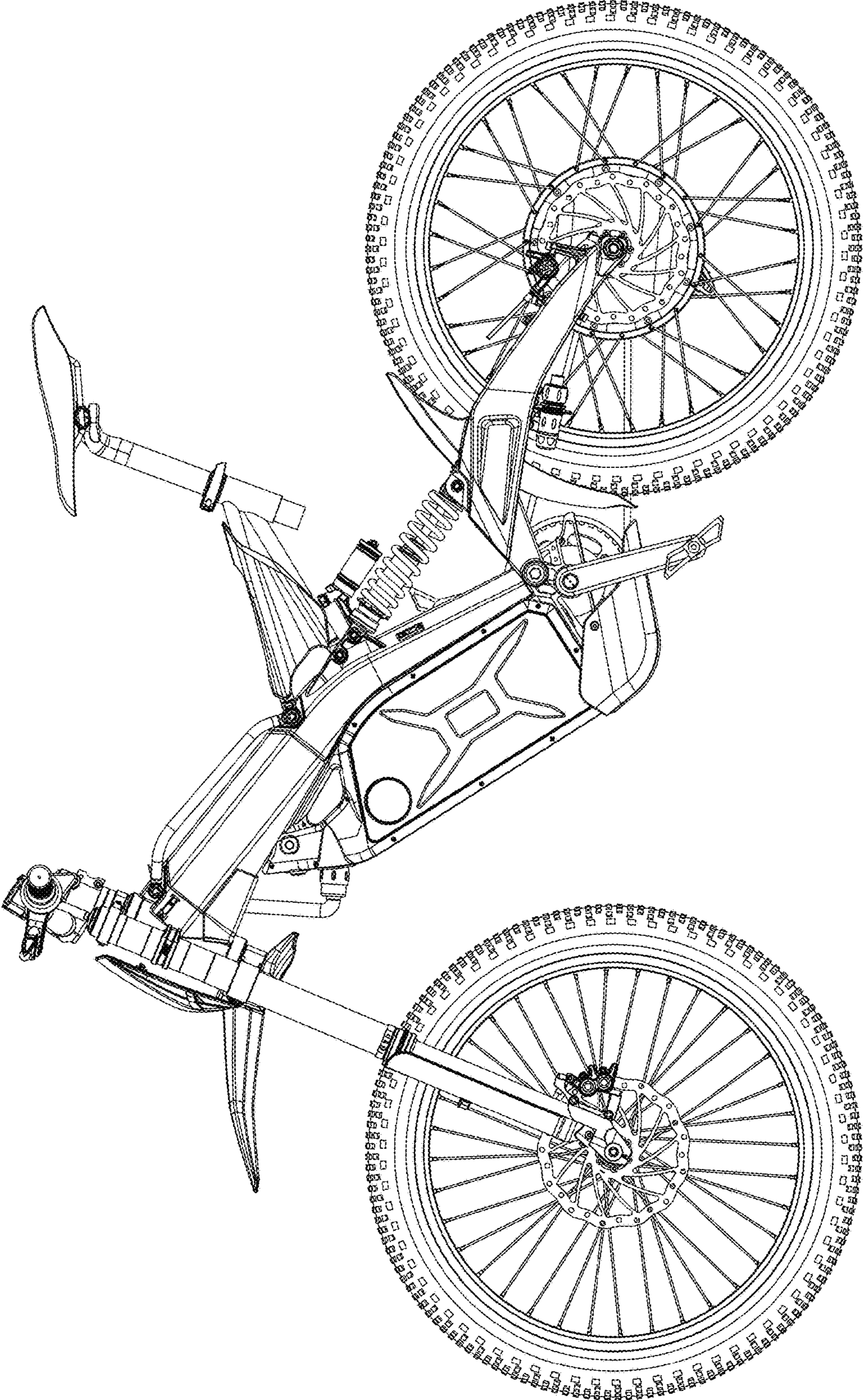


FIG. 3

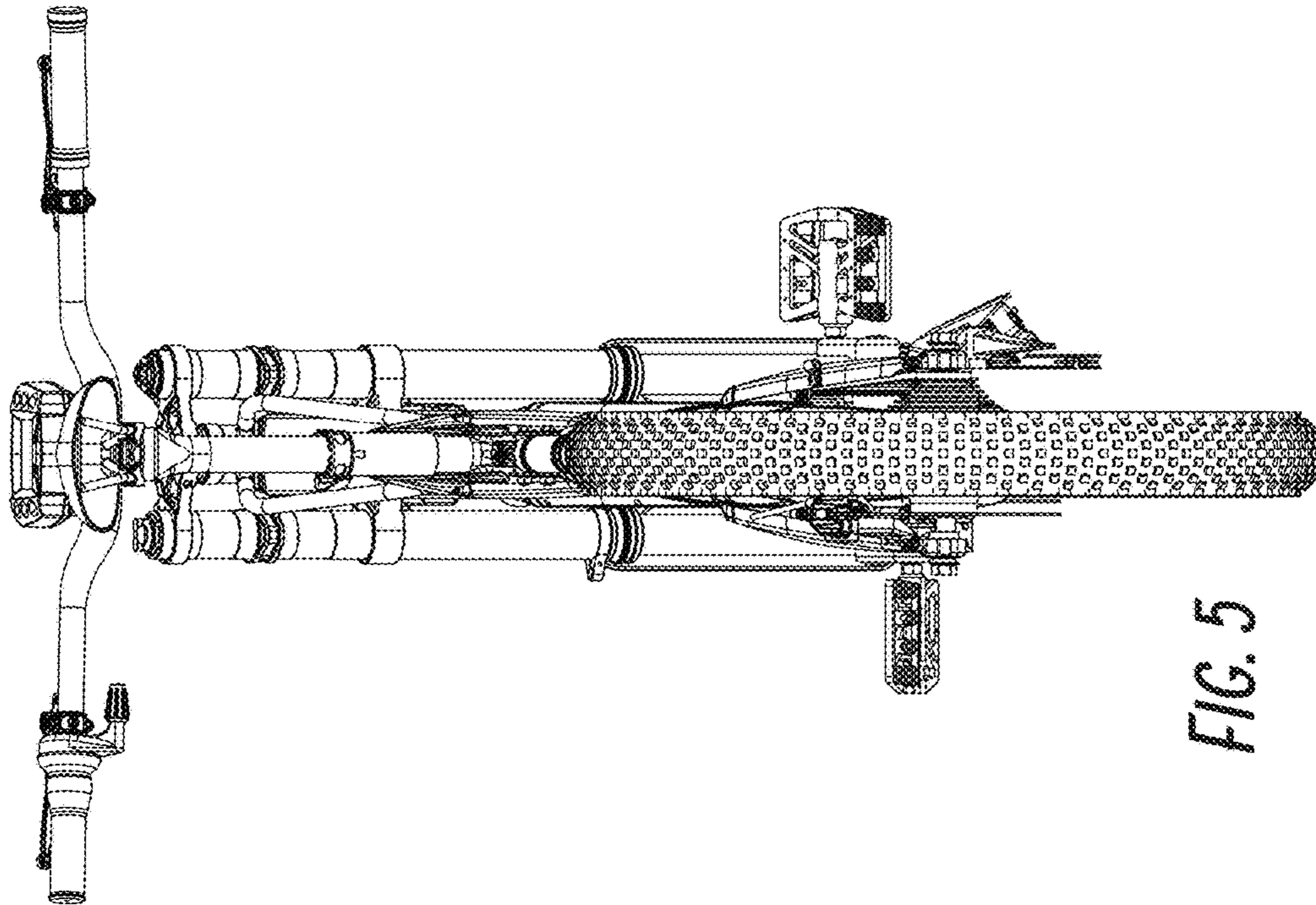


FIG. 5

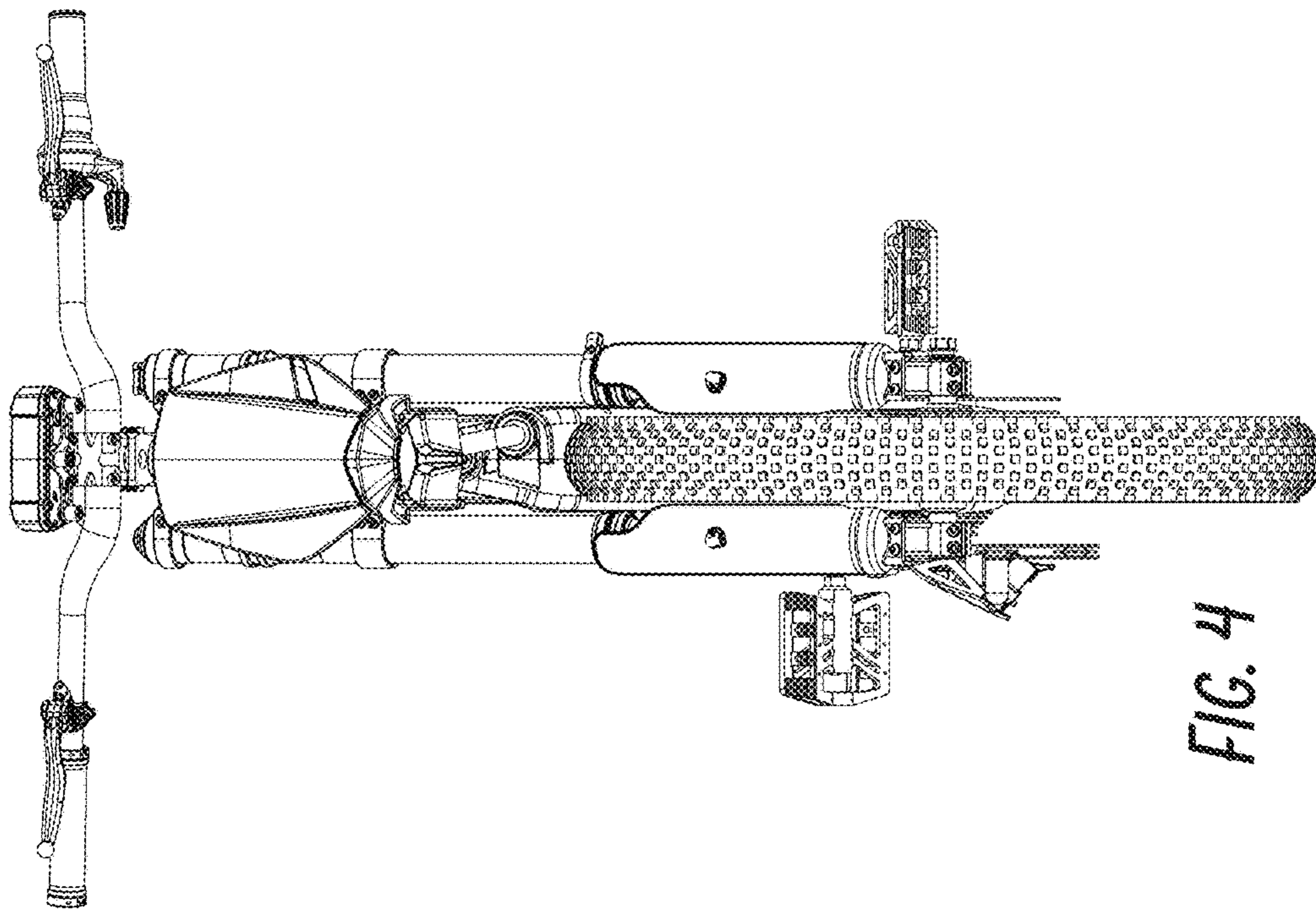


FIG. 4

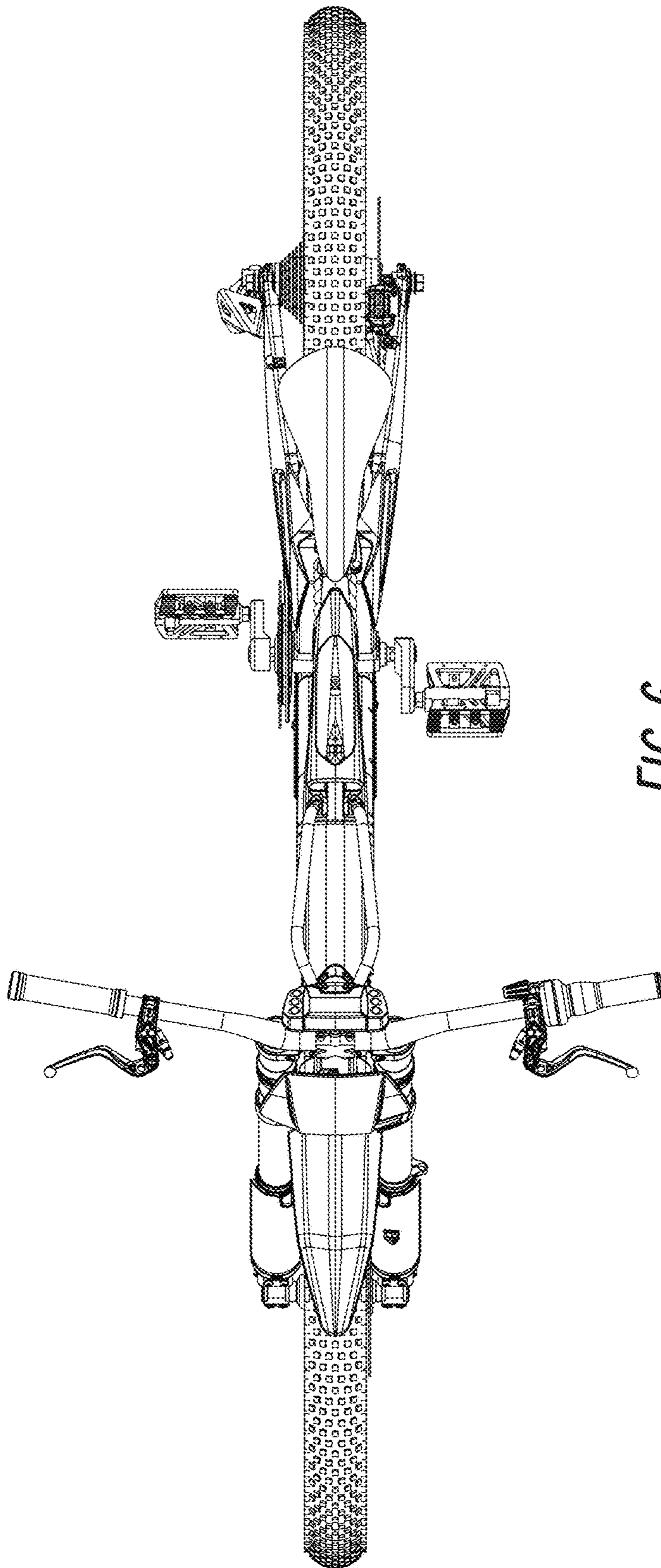


FIG. 6

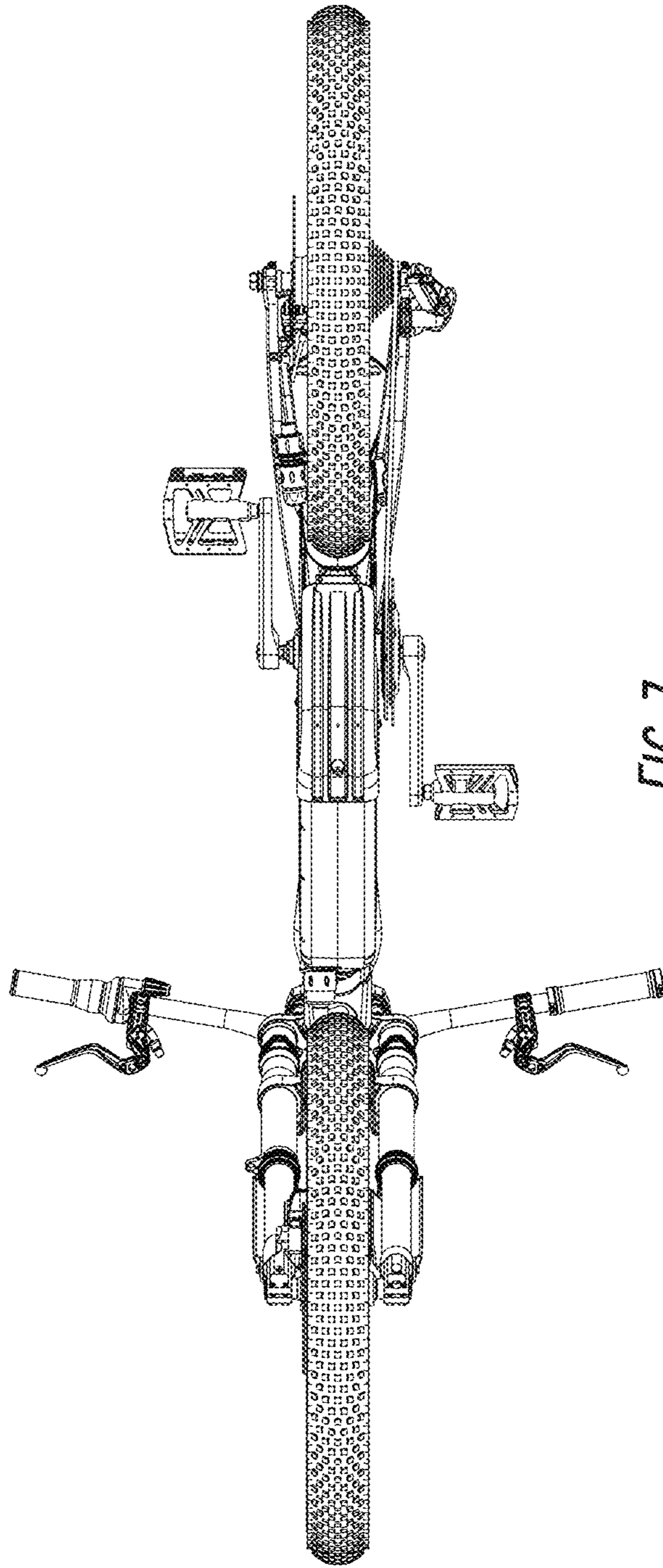


FIG. 7