



US00D797606S

(12) **United States Design Patent**
Oh et al.

(10) **Patent No.:** **US D797,606 S**
(45) **Date of Patent:** **** Sep. 19, 2017**

- (54) **VEHICLE EXTERIOR**
- (71) Applicant: **Faraday & Future Inc.**, Gardena, CA (US)
- (72) Inventors: **Brian Sung Oh**, Granada Hills, CA (US); **Richard S. Kim**, Los Angeles, CA (US)
- (73) Assignee: **FARADAY & FUTURE INC.**, Gardena, CA (US)
- (**) Term: **15 Years**
- (21) Appl. No.: **29/559,783**
- (22) Filed: **Mar. 31, 2016**
- (51) **LOC (10) Cl.** **12-08**
- (52) **U.S. Cl.**
USPC **D12/92**
- (58) **Field of Classification Search**
USPC D12/86, 90-92, 88; D21/421, 433, 434;
296/181.1, 181.5
CPC B62D 35/00; B62D 25/00; B62D 25/06;
B62D 33/00
See application file for complete search history.

- D748,534 S * 2/2016 Bischoff D12/92
- D758,251 S * 6/2016 Jelec D12/92
- D774,948 S * 12/2016 Abbes D12/92
- D781,185 S * 3/2017 Ham D12/92

* cited by examiner

Primary Examiner — Melody N Brown
(74) *Attorney, Agent, or Firm* — Finnegan, Henderson, Farabow, Garrett & Dunner, LLP

(57) **CLAIM**

The ornamental design for a vehicle exterior, showing our new design.

DESCRIPTION

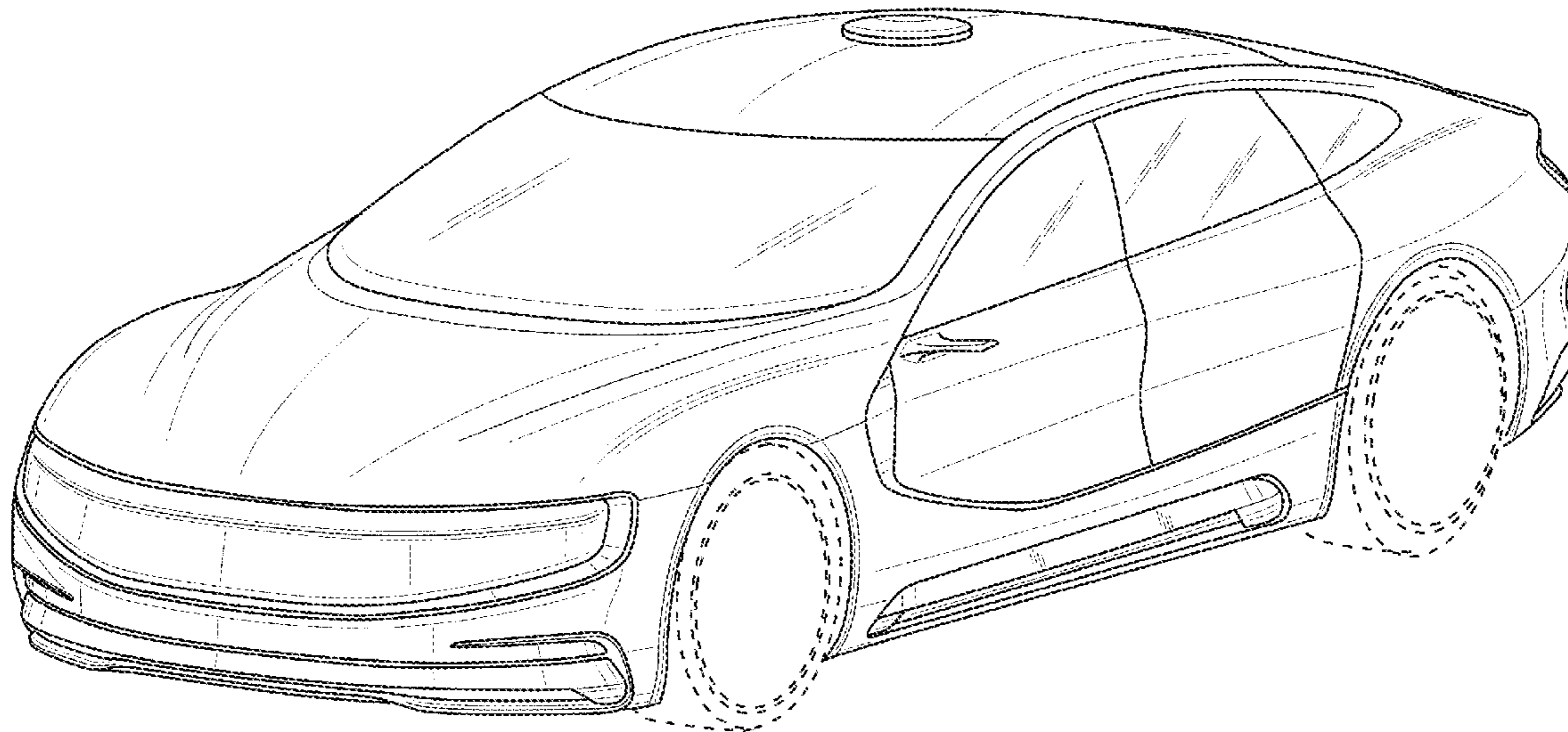
FIG. 1 is a top, front and left side perspective view of a vehicle exterior showing our new design;
FIG. 2 is a top, rear and right side perspective view thereof;
FIG. 3 is a front elevation view thereof;
FIG. 4 is a rear elevation view thereof;
FIG. 5 is a right side elevation view thereof, the left side elevation view being a mirror image thereof;
FIG. 6 is a top plan view thereof; and,
FIG. 7 is a bottom plan thereof.
The broken lines of even length shown in the drawings illustrate portions of the vehicle exterior that form no part of the claimed design. The uneven length broken lines illustrate the boundary of the claimed design, and form no part thereof.

(56) **References Cited**

U.S. PATENT DOCUMENTS

- D664,071 S * 7/2012 Tasaki D12/92
- D740,178 S * 10/2015 Bischoff D12/92

1 Claim, 7 Drawing Sheets



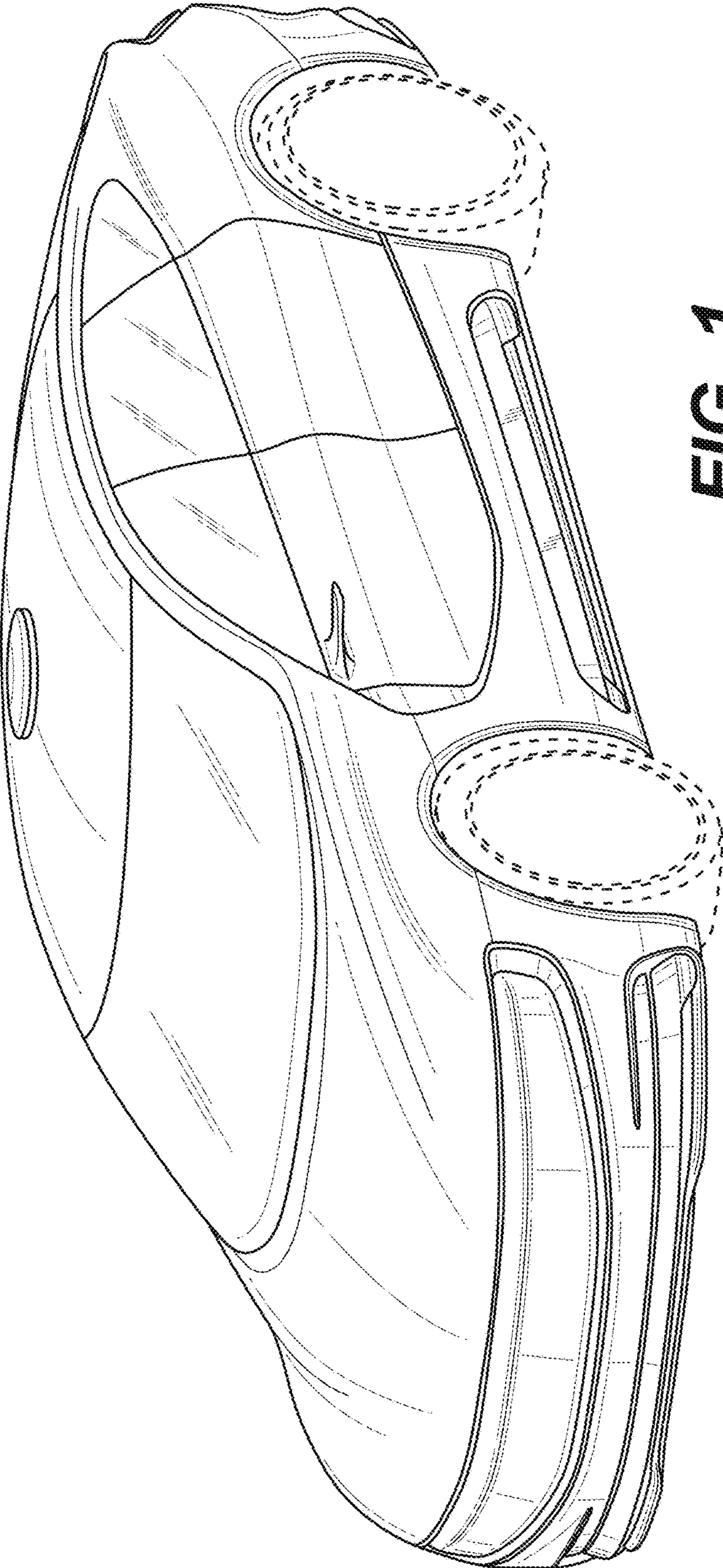


FIG. 1

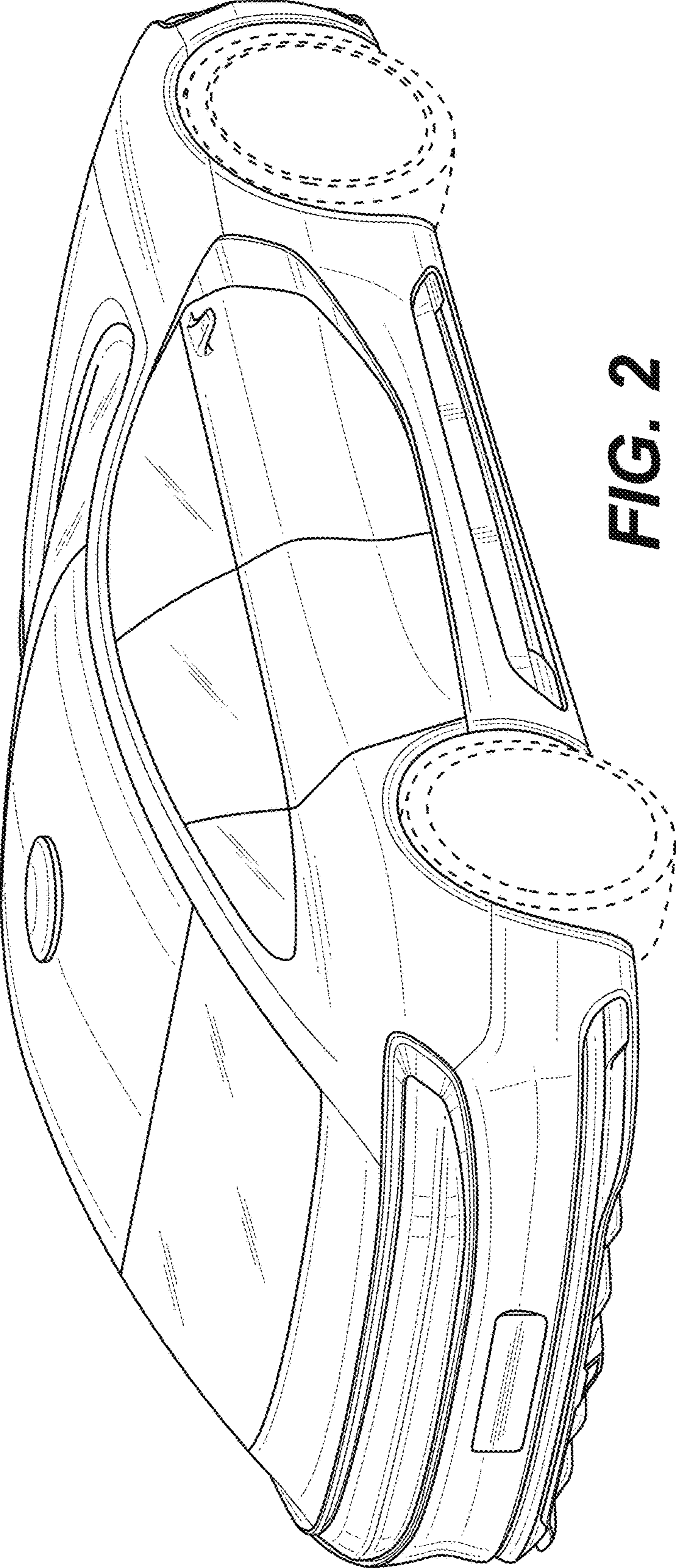


FIG. 2

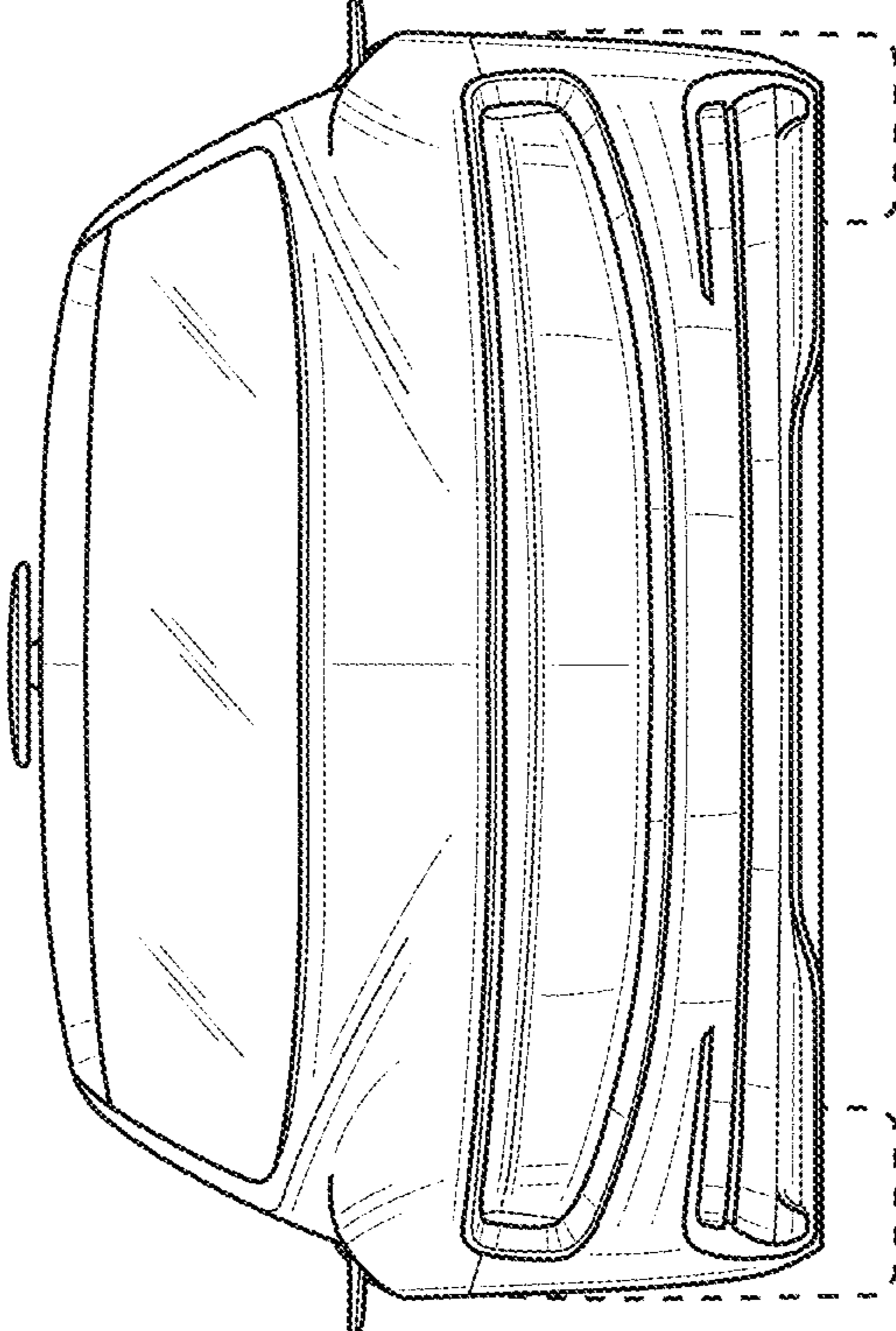


FIG. 3

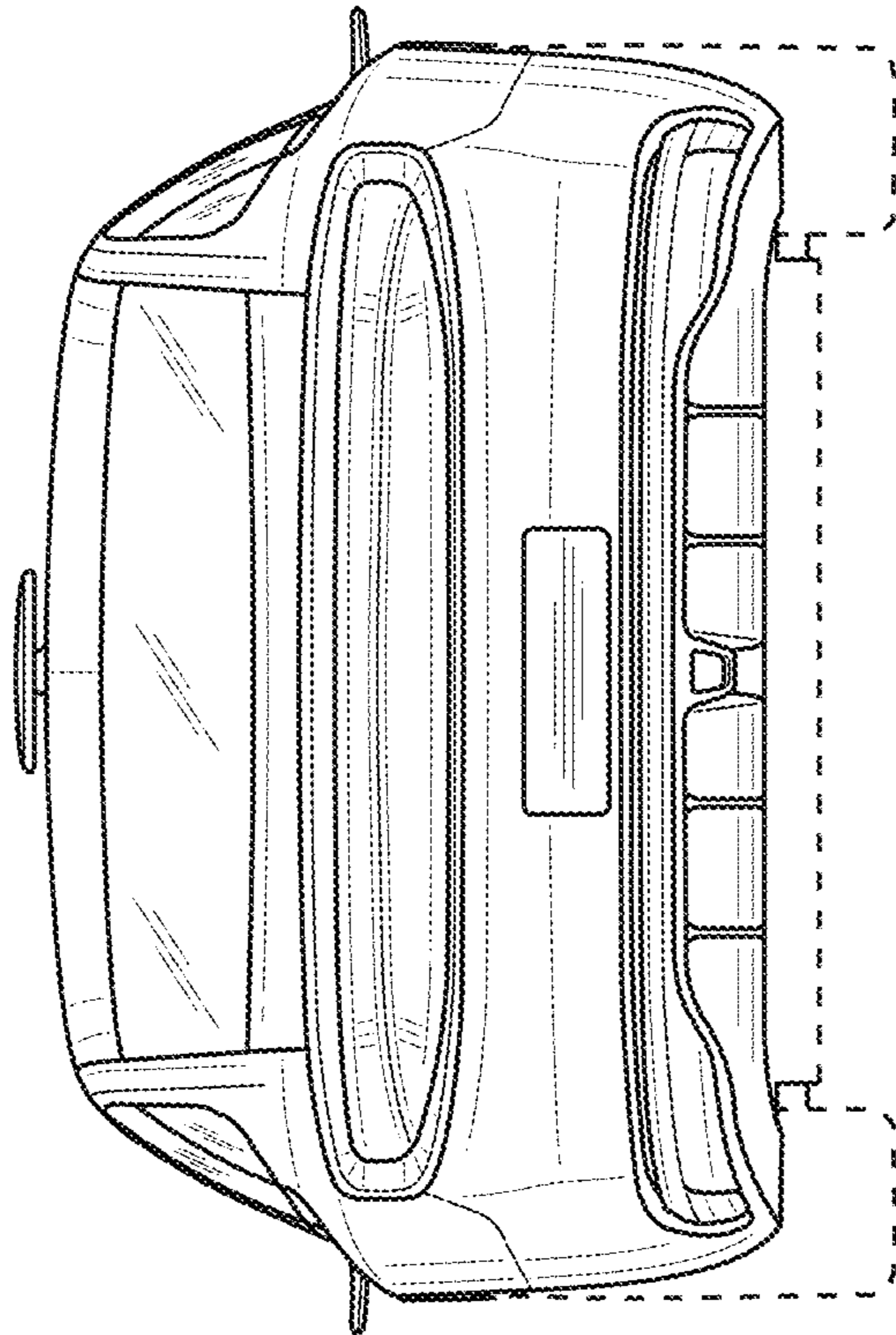


FIG. 4

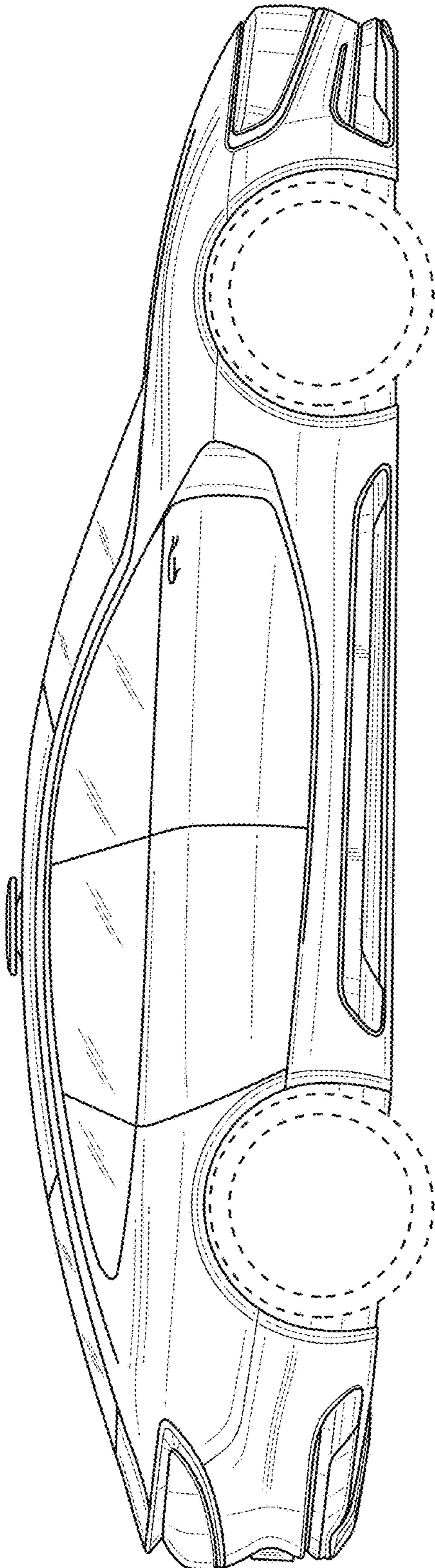


FIG. 5

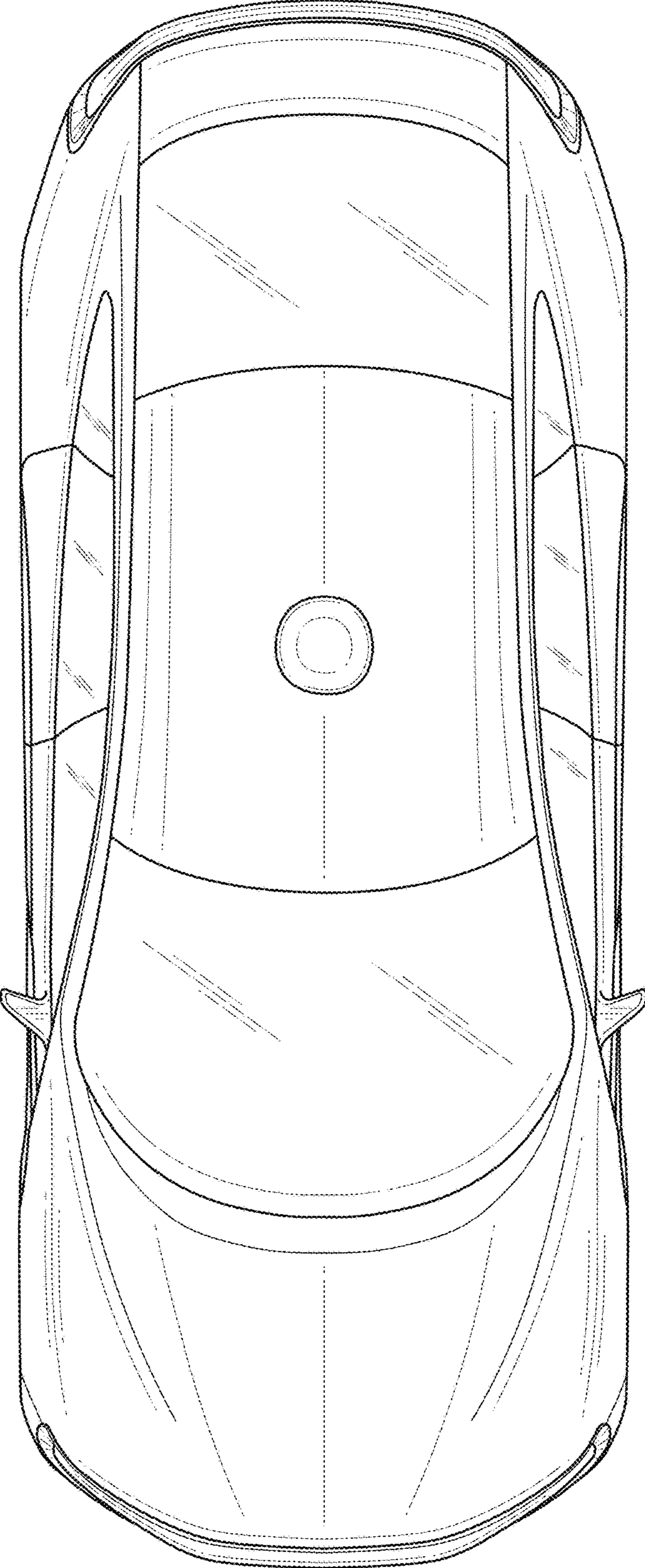


FIG. 6

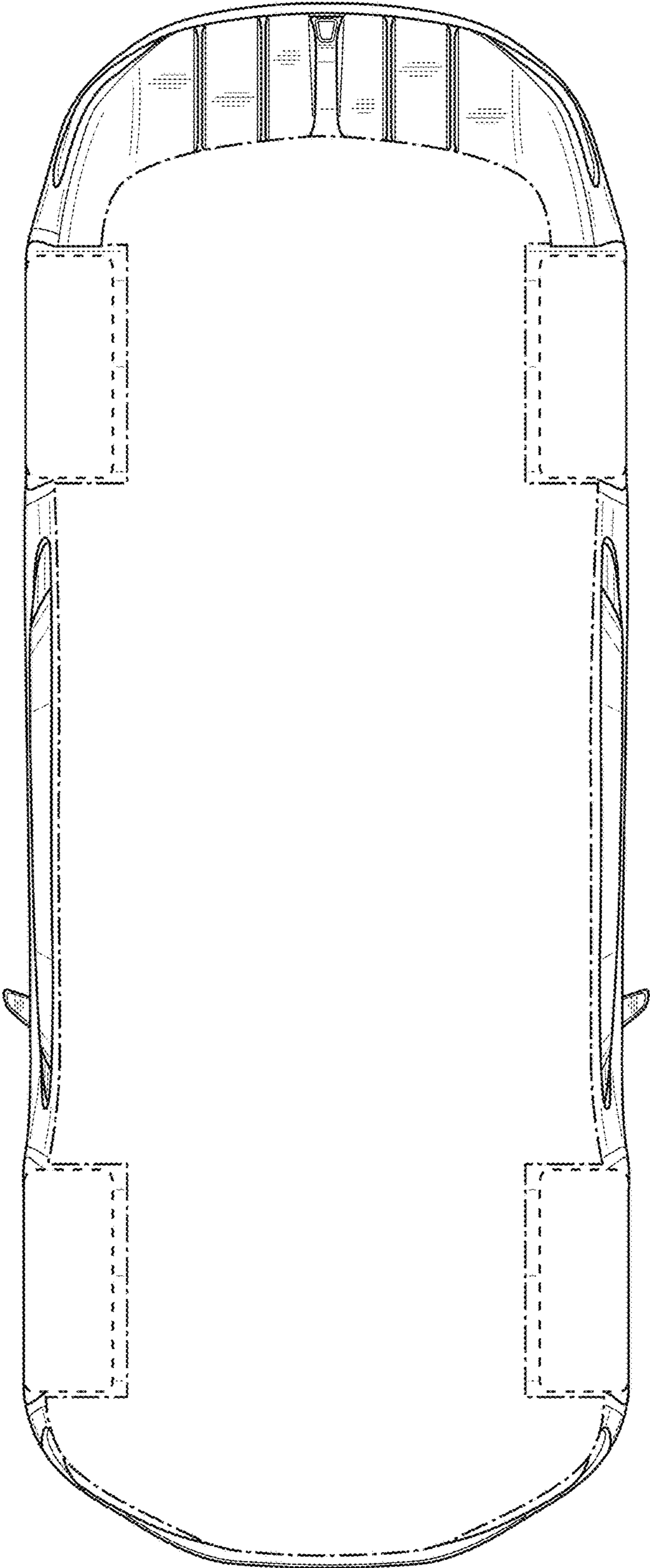


FIG. 7