



US00D797600S

(12) **United States Design Patent** (10) **Patent No.:** **US D797,600 S**  
**McGrath** (45) **Date of Patent:** **\*\* Sep. 19, 2017**

(54) **UNITY BRAID**

(71) Applicant: **Lillian McGrath**, Tyler, TX (US)

(72) Inventor: **Lillian McGrath**, Tyler, TX (US)

(\*\*) Term: **15 Years**

(21) Appl. No.: **29/554,795**

(22) Filed: **Feb. 16, 2016**

(51) **LOC (10) Cl.** ..... **11-02**

(52) **U.S. Cl.**  
USPC ..... **D11/132**

(58) **Field of Classification Search**  
USPC .... D11/7, 74, 131, 132, 133, 141, 157, 143,  
D11/144, 148; D2/895, 607; D6/546,  
D6/550; D28/92, 93; D10/118.1  
CPC ..... A41D 25/022; A41G 5/004  
See application file for complete search history.

(56) **References Cited**

**U.S. PATENT DOCUMENTS**

1,657,088	A *	1/1928	Maskow	.....	A47G 1/1686
					248/493
D150,478	S *	8/1948	Wapnick	.....	D21/408
2,767,404	A *	1/1954	Collins		
D180,474	S *	6/1957	Desbrow et al.	.....	2/150
D332,763	S *	1/1993	Asano	.....	D11/184
D366,553	S *	1/1996	Wade	.....	D2/607
D372,684	S *	8/1996	Duncan	.....	D11/204
D372,793	S *	8/1996	Carlson	.....	D11/202
5,658,150	A *	8/1997	Moreau	.....	G09B 19/00
					434/112
D392,583	S *	3/1998	Hoffman	.....	D11/7
5,890,498	A *	4/1999	Kawaguchi	.....	A41G 5/004
					132/275
D432,943	S *	10/2000	Schottin	.....	D11/143
D436,882	S *	1/2001	Kumar	.....	D10/118.1
D446,161	S *	8/2001	Gordon	.....	D11/131
D617,670	S *	6/2010	Alter	.....	D10/118.1
D669,224	S *	10/2012	Morris	.....	D28/92

(Continued)

**OTHER PUBLICATIONS**

Marriage Braid (via amazon.com), available Mar. 27, 2016, [online], [site visited Apr. 1, 2017]. Available from internet, <URL: [https://www.amazon.com/Marriage-Braid-Unity-Strands-Wedding/dp/B018000FZY/ref=sr\\_1\\_20?s=handmade&ie=UTF8&qid=1491082153&sr=1-20&keywords=unity+braids.\\*](https://www.amazon.com/Marriage-Braid-Unity-Strands-Wedding/dp/B018000FZY/ref=sr_1_20?s=handmade&ie=UTF8&qid=1491082153&sr=1-20&keywords=unity+braids.*)>

(Continued)

*Primary Examiner* — Cathron Brooks

*Assistant Examiner* — Teddy Falloway

(74) *Attorney, Agent, or Firm* — Law Office of Jeff Williams; J. Oliver Williams

(57) **CLAIM**

The ornamental design for a unity braid, as shown and described.

**DESCRIPTION**

FIG. 1 is a perspective view of a unity braid according to the present application.

FIG. 2 is a front view of the unity braid of FIG. 1.

FIG. 3 is a back view of the unity braid of FIG. 1.

FIG. 4 is a left view of the unity braid of FIG. 1.

FIG. 5 is a right view of the unity braid of FIG. 1.

FIG. 6 is a top view of the unity braid of FIG. 1.

FIG. 7 is a bottom view of the unity braid of FIG. 1.

FIG. 8 is a perspective view of the unity braid of FIG. 1, shown in an alternate configuration.

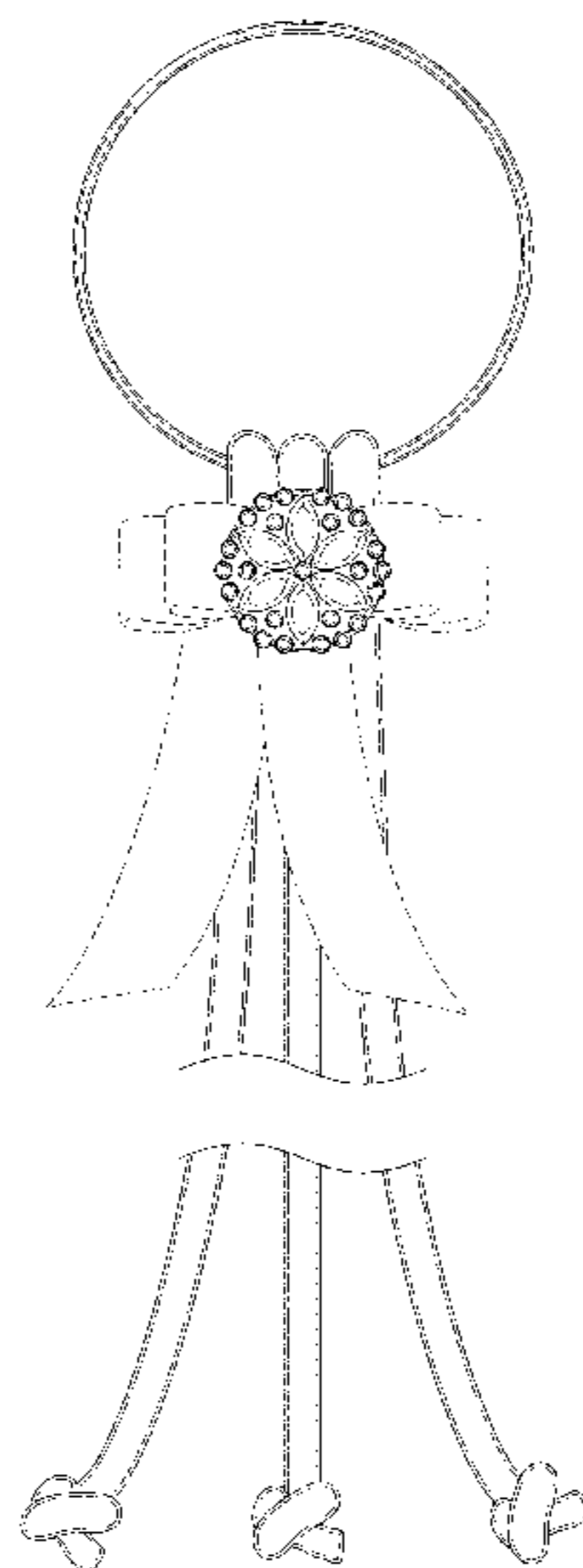
FIG. 9 is an enlarged perspective view of the unity braid of FIG. 1; and,

FIG. 10 is an enlarged side view of the unity braid of FIG. 4.

The broken-line showing of a bow illustrates portions of the unity braid and forms no part of the claimed design.

The unity braid is shown with a symbolic break in its length, represented by break lines. The appearance of any portion of the article between the break lines forms no part of the claimed design.

**1 Claim, 8 Drawing Sheets**



(56)

**References Cited**

## U.S. PATENT DOCUMENTS

D672,509 S \* 12/2012 Mazzulla ..... D28/92  
8,444,421 B1 5/2013 DeLosh  
9,210,958 B1 \* 12/2015 Hodge ..... A41D 25/003  
D780,005 S \* 2/2017 Yatsugi-Kang ..... D11/7  
2016/0001588 A1 1/2016 Montgomery

## OTHER PUBLICATIONS

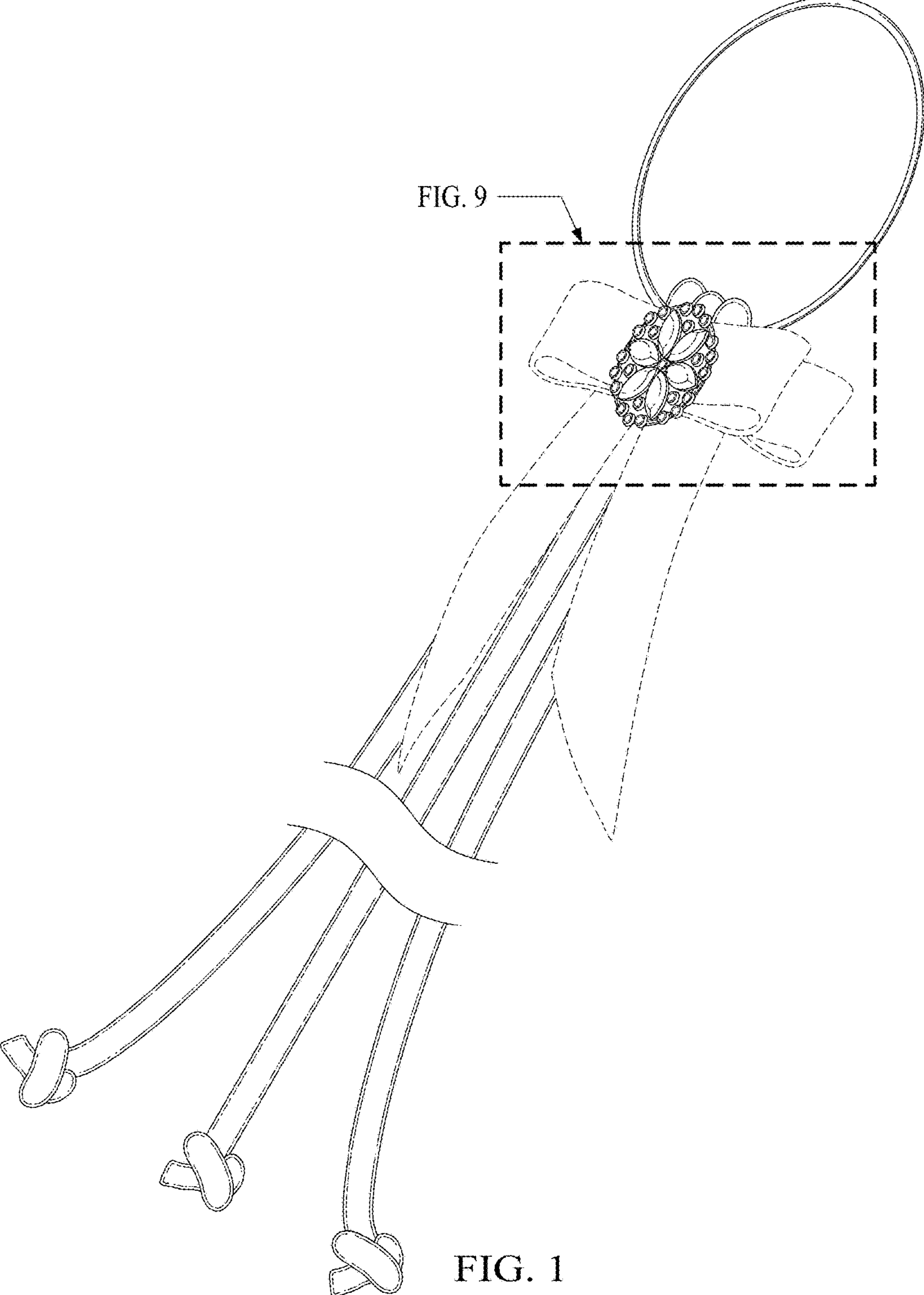
Tying the Knot (via etsy), available Mar. 11, 2017, [online], [site visited Apr. 1, 2017]. Available from internet, <URL: <https://www.etsy.com/listing/245083813/tying-the-knot-unity-braid-ceremony?ref=related-6>>.\*

God's Knot (via amazon.com), available Jun. 20, 2014, [online], [site visited Apr. 1, 2017]. Available from internet, <URL: <https://www.amazon.com/Gods-Knot-Cord-Three-Strands/dp/B00HHM7VFQ>>.\*

A Cord of Three Strands (via amazon.com), available Dec. 28, 2016, [online], [site visited Apr. 1, 2017]. Available from internet, <URL: [https://www.amazon.com/Cord-Three-Strands-Wedding-Ceremony/dp/B01LXV6YPO/ref=sr\\_1\\_5\\_a\\_it?ie=UTF8&qid=1491087753&sr=8-5&keywords=God%27s+Knot](https://www.amazon.com/Cord-Three-Strands-Wedding-Ceremony/dp/B01LXV6YPO/ref=sr_1_5_a_it?ie=UTF8&qid=1491087753&sr=8-5&keywords=God%27s+Knot)>.\*

Homemade God's Knot, available Jan. 24, 2012, [online], [site visited Apr. 1, 2017]. Available from internet, <URL: <http://www.themakeyourownzone.com/2012/01/homemade-gods-knot-cord-of-three-stands.html>>.\*

\* cited by examiner



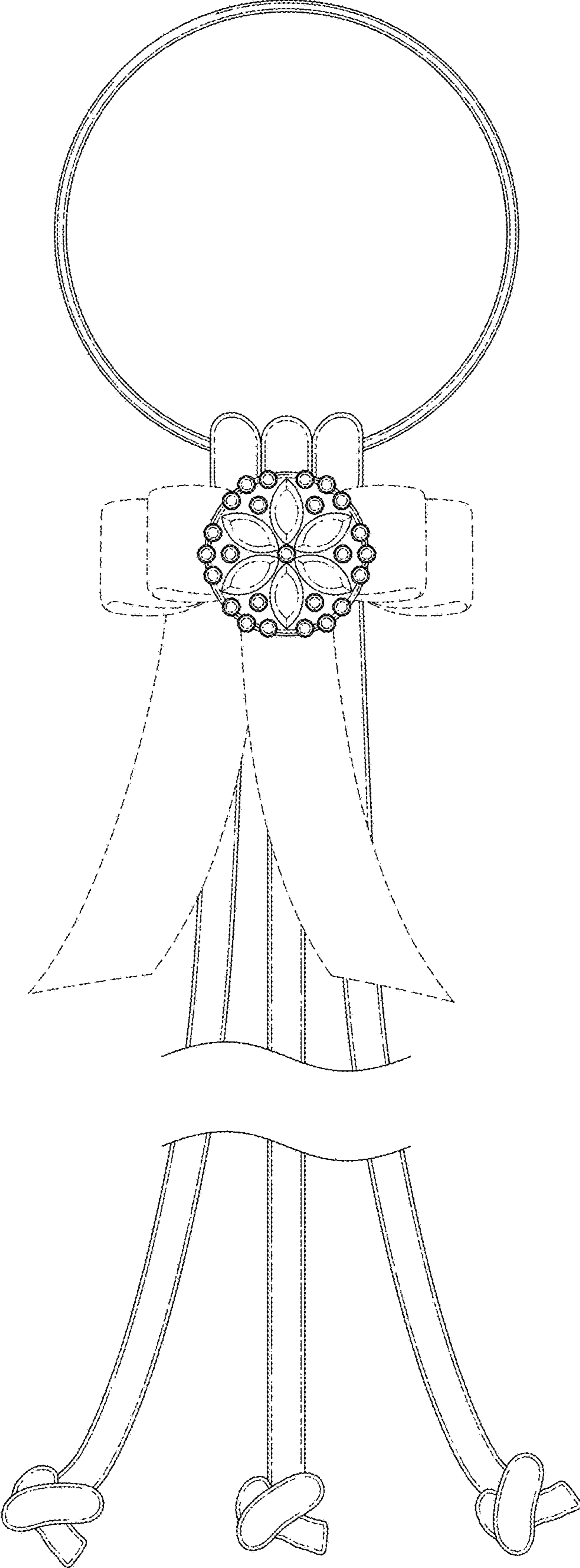


FIG. 2



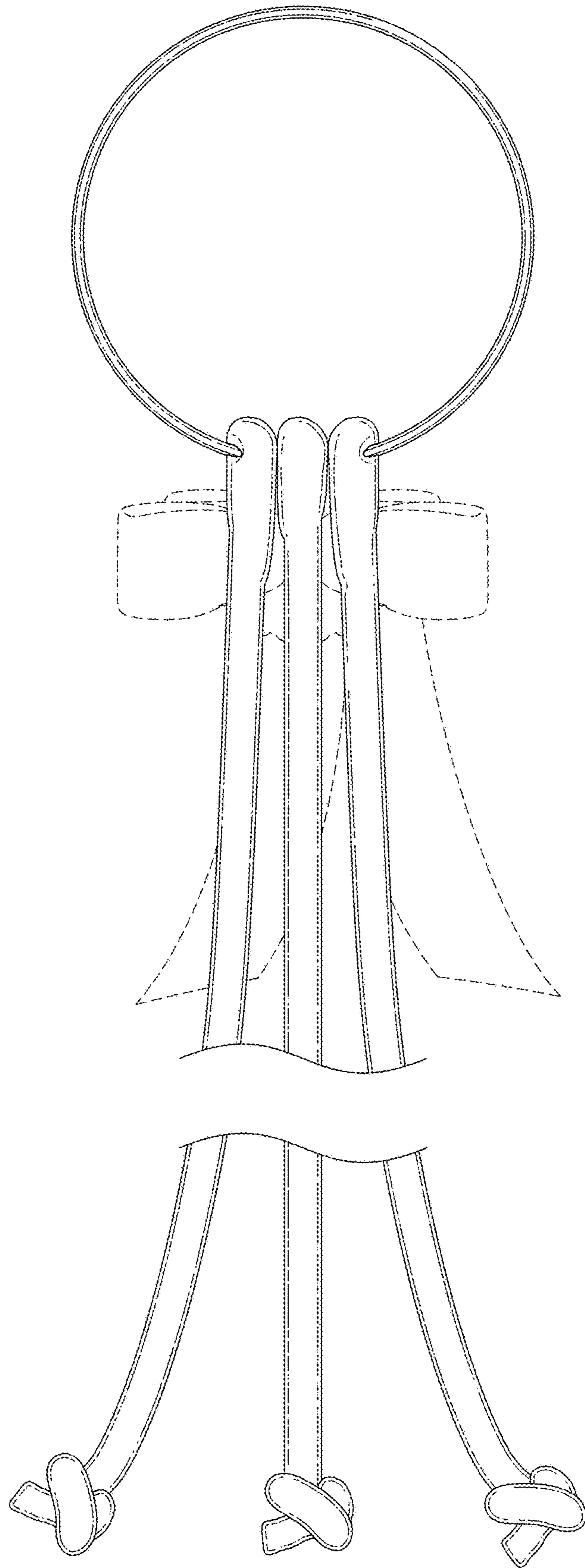
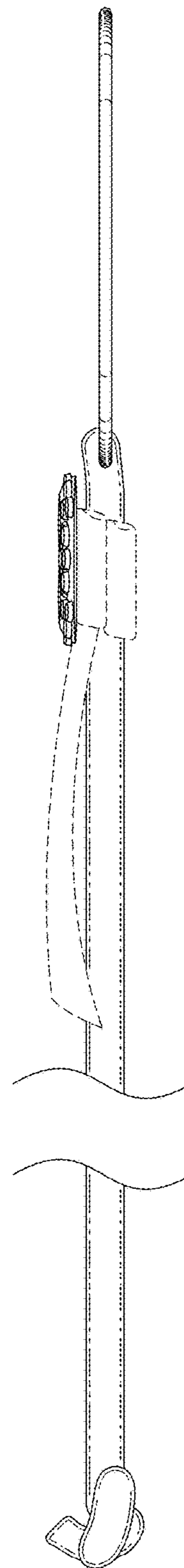
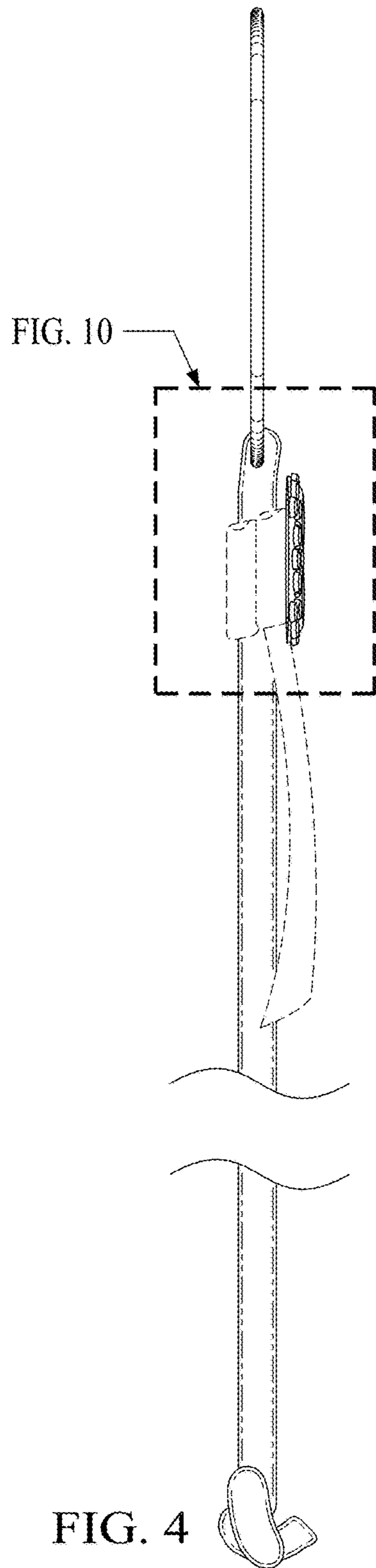


FIG. 3



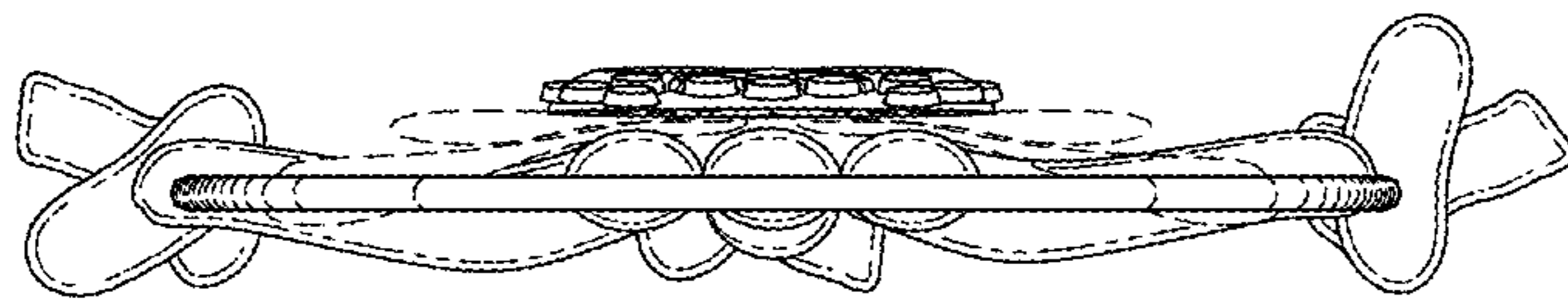


FIG. 6

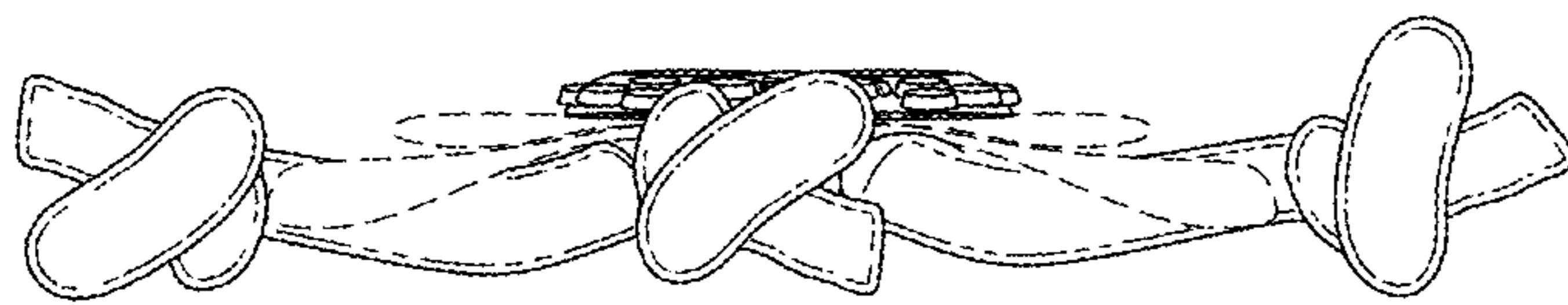


FIG. 7

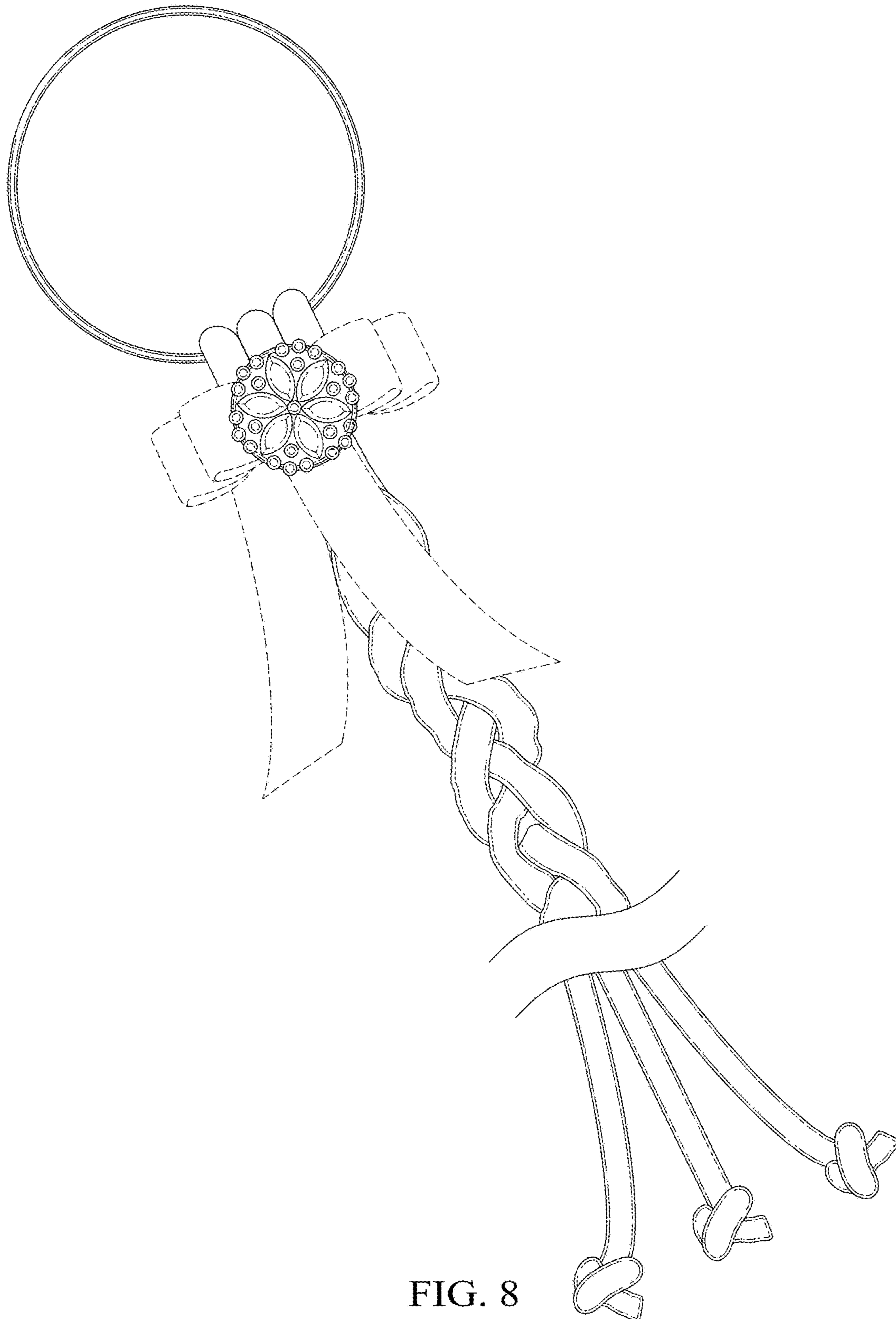


FIG. 8



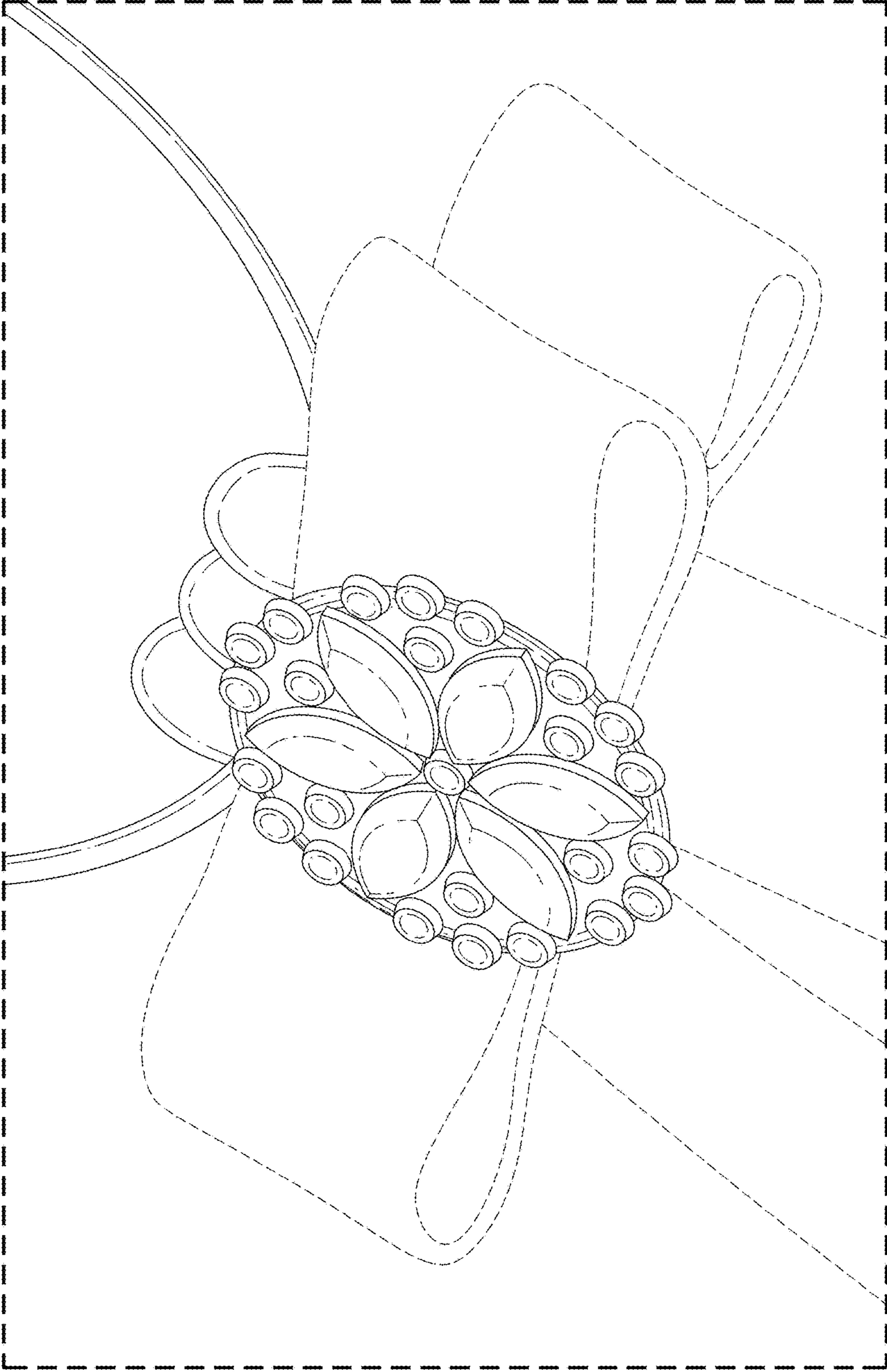


FIG. 9

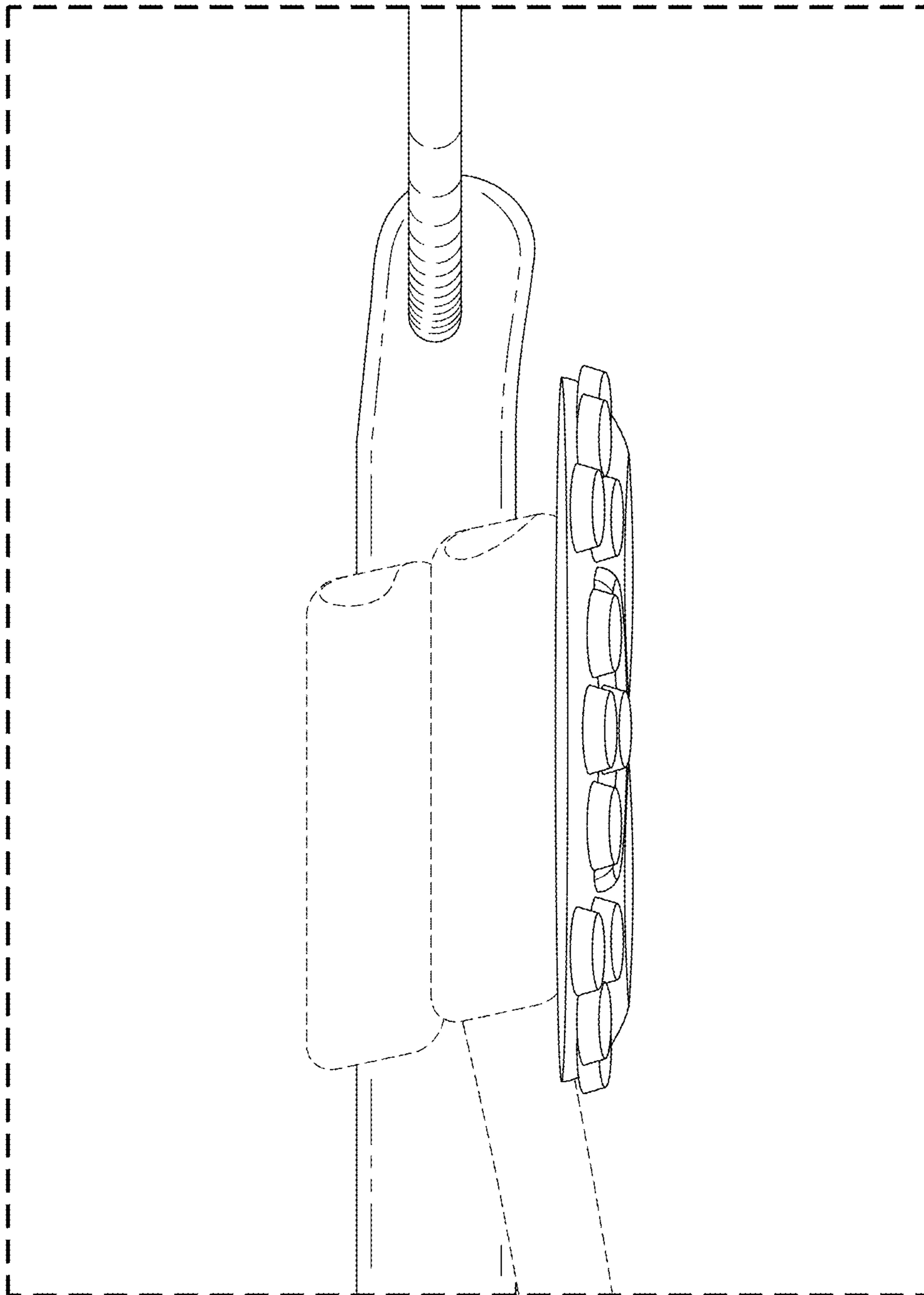


FIG. 10