

US00D797599S

(12) **United States Design Patent**
Yatsugi-Kang

(10) **Patent No.:** **US D797,599 S**

(45) **Date of Patent:** **** Sep. 19, 2017**

(54) **EARRING**

(71) Applicant: **HARRY WINSTON SA,**
Plan-les-Ouates (CH)

(72) Inventor: **Rie Yatsugi-Kang,** Cresskill, NJ (US)

(73) Assignee: **HARRY WINSTON SA,**
Plan-les-Ouates (CH)

(**) Term: **15 Years**

(21) Appl. No.: **29/543,926**

(22) Filed: **Oct. 29, 2015**

(30) **Foreign Application Priority Data**

Apr. 30, 2015 (WO) DM/086305

(51) **LOC (10) Cl.** **11-01**

(52) **U.S. Cl.**
USPC **D11/40**

(58) **Field of Classification Search**

USPC D11/1-5, 26-39, 91-92, 40-45, 70, 78,
D11/79; 63/12, 13, 14.1-14.8

CPC .. A44C 9/00; A44C 9/02; A44C 27/00; A44C
17/02; A44C 17/04; A44C 5/00; A44C
15/002; A44C 17/00; A44C 7/002; A44C
7/003; A44C 7/004; A44C 7/005; A44C
7/006; A44C 7/007; A44C 7/008; A44C
7/009; A44C 5/0035; A44C 7/00

See application file for complete search history.

(56) **References Cited**

U.S. PATENT DOCUMENTS

D107,119 S * 11/1937 Katz D11/40
D147,299 S * 8/1947 Philippe D11/45

D150,580 S * 8/1948 Katz D11/43
D150,586 S * 8/1948 Katz D11/43
D153,695 S * 5/1949 Katz D11/45
D158,764 S * 5/1950 Katz D11/40
D166,609 S * 4/1952 Katz D11/40
D168,940 S * 3/1953 Katz D11/40
D170,349 S * 9/1953 Bell D11/40
D279,879 S * 7/1985 Moon D11/43
D279,882 S * 7/1985 Moon D11/45
D279,883 S * 7/1985 Moon D11/45
D728,410 S * 5/2015 Yatsugi-Kang D11/43
D738,774 S * 9/2015 Vartanian D11/40
D740,153 S * 10/2015 Vartanian D11/40
D740,154 S * 10/2015 Vartanian D11/40
D748,003 S * 1/2016 Vartanian D11/40
D748,004 S * 1/2016 Vartanian D11/40
D749,981 S * 2/2016 Vartanian D11/42
D760,618 S * 7/2016 Yatsugi-Kang D11/43

* cited by examiner

Primary Examiner — Ralf Seifert

(74) *Attorney, Agent, or Firm* — Donald J. Ranft; Collen JP

(57) **CLAIM**

The ornamental design for an earring, as shown.

DESCRIPTION

FIG. 1 is a front right perspective view of an earring showing my new design;

FIG. 2 is a front view thereof;

FIG. 3 is a rear view thereof;

FIG. 4 is a left side view thereof;

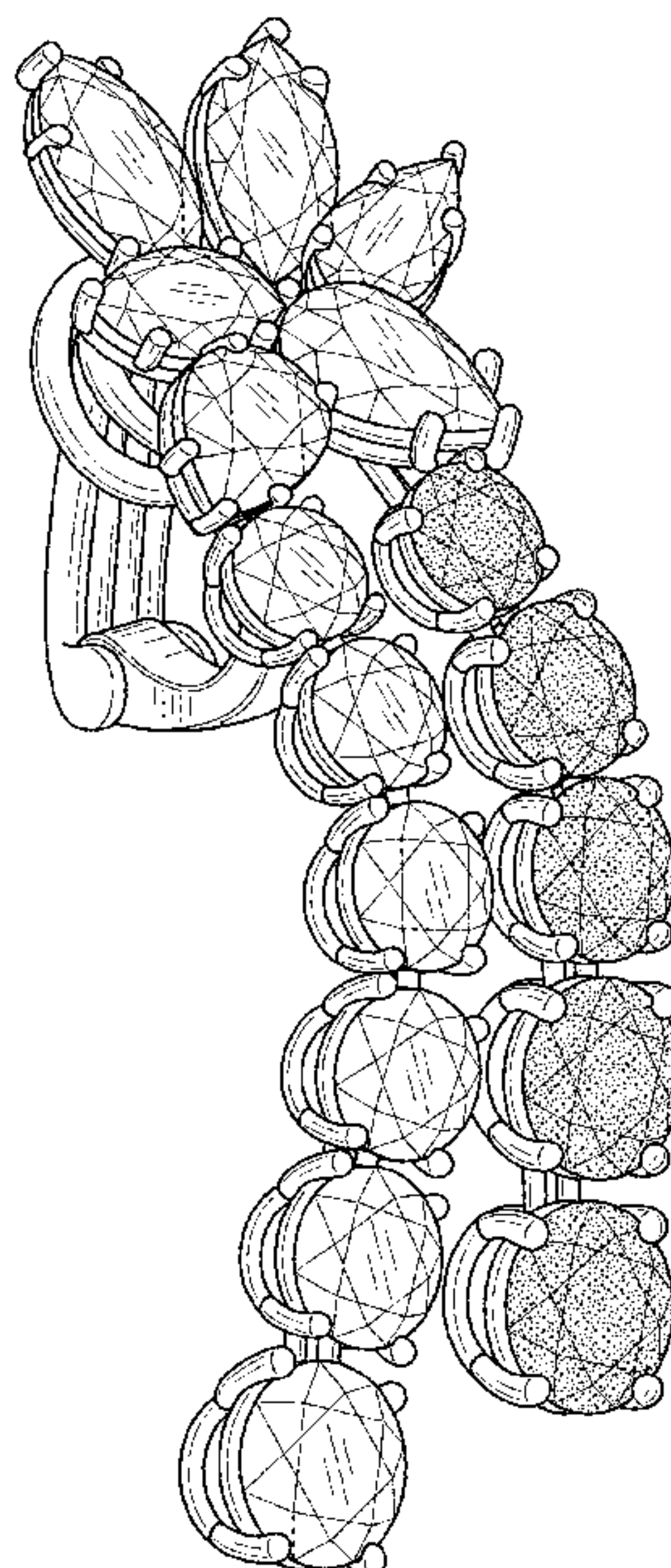
FIG. 5 is a right side view thereof;

FIG. 6 is a top view thereof;

FIG. 7 is a bottom view thereof; and,

FIG. 8 is a rear left perspective view thereof.

1 Claim, 6 Drawing Sheets



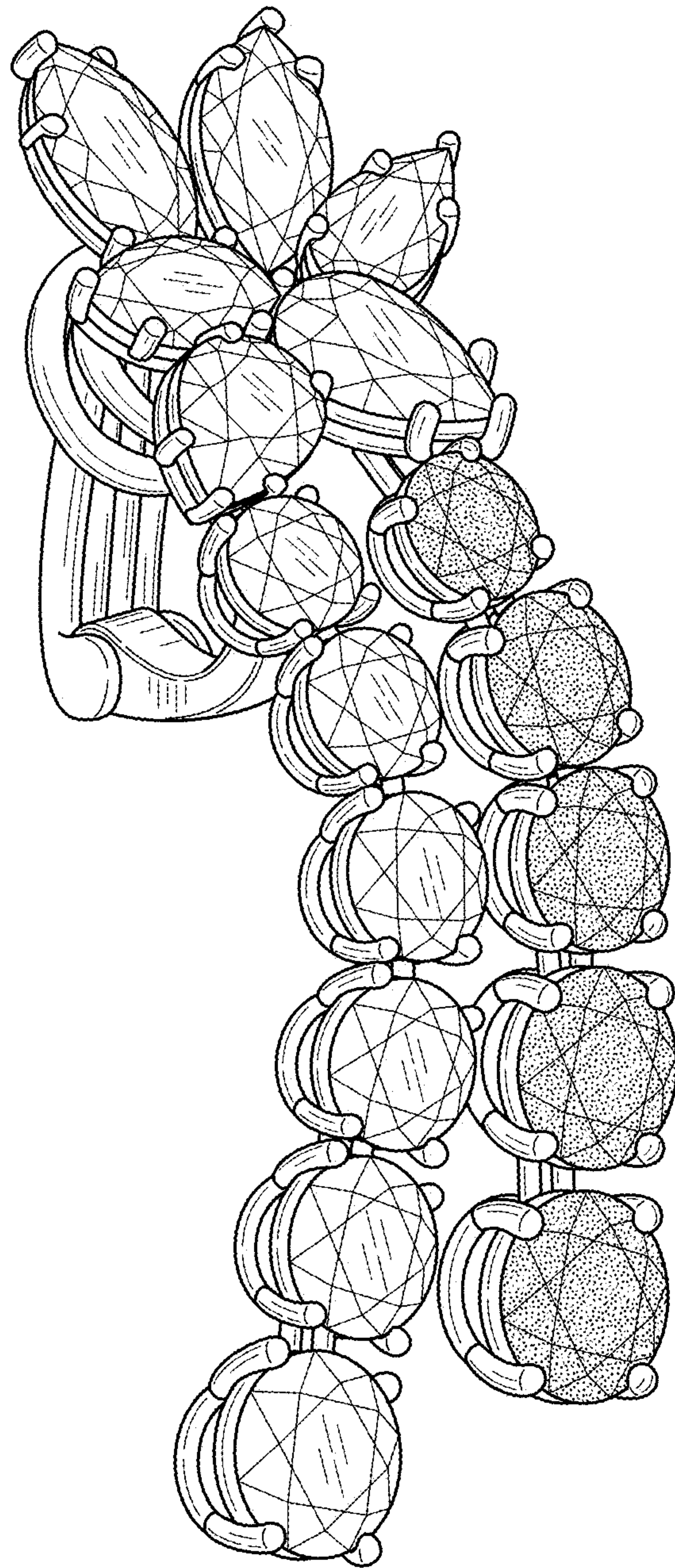


FIG. 1

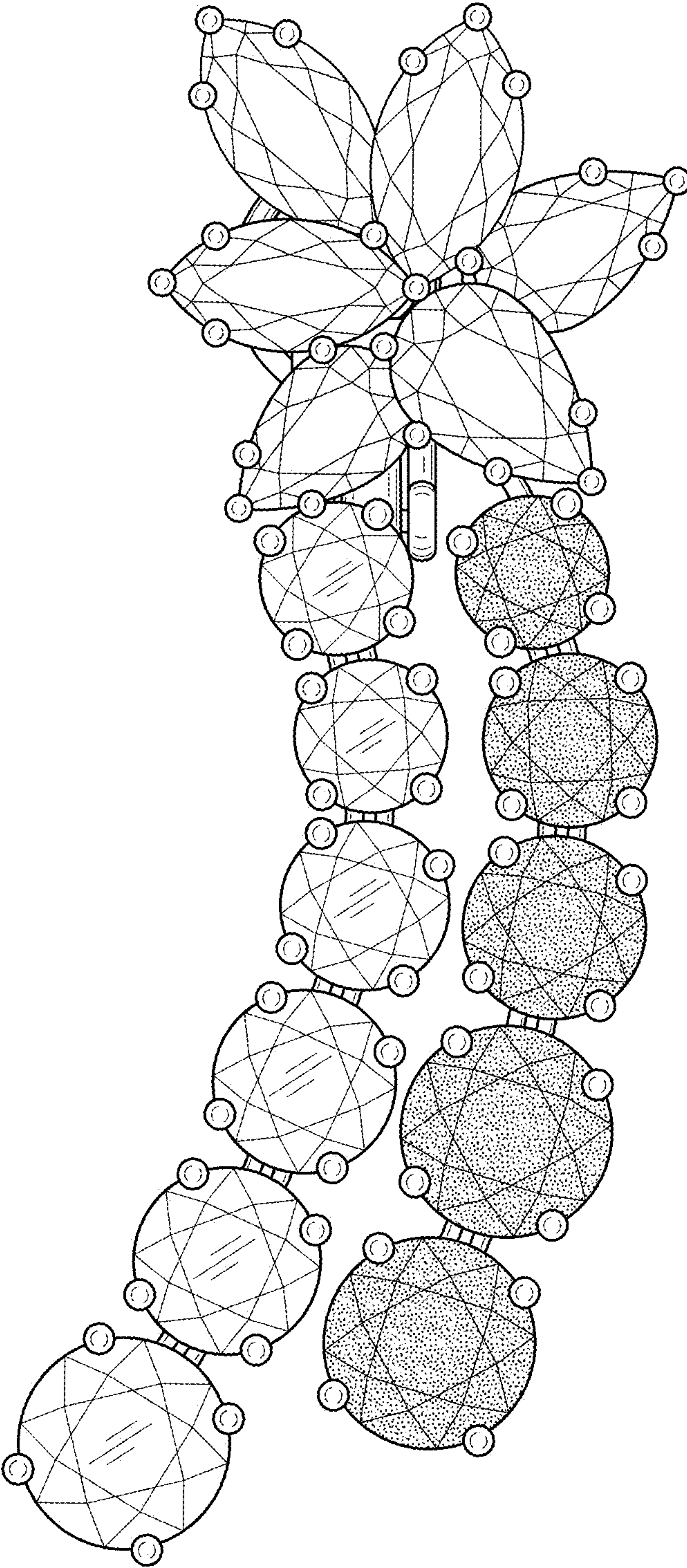


FIG. 2

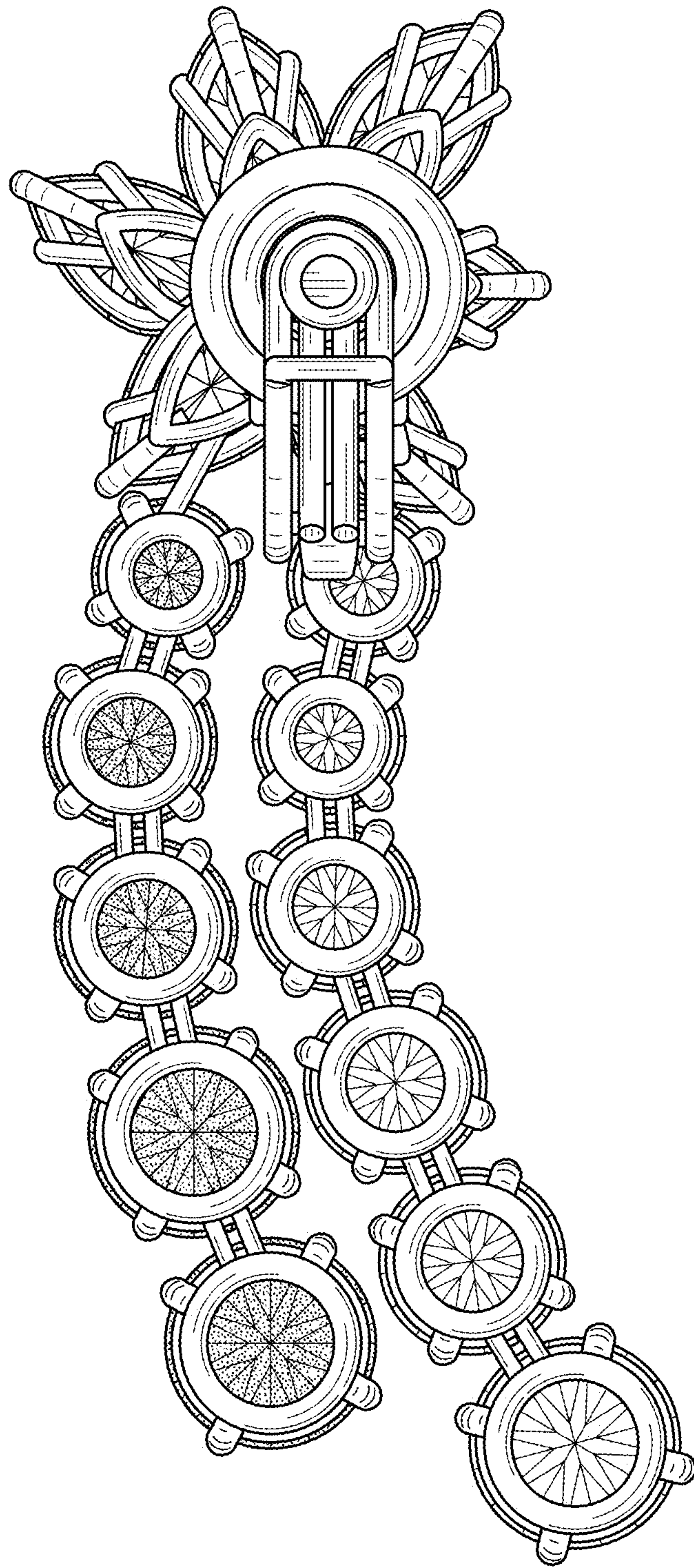


FIG. 3

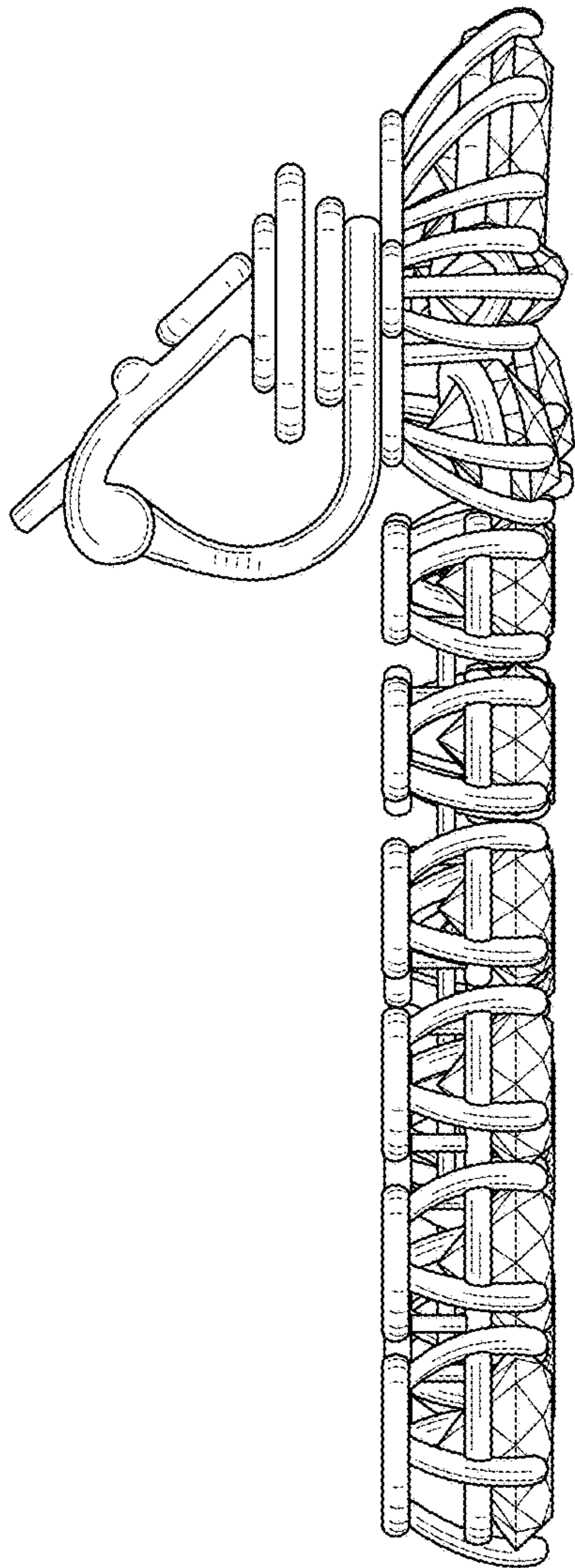


FIG. 4

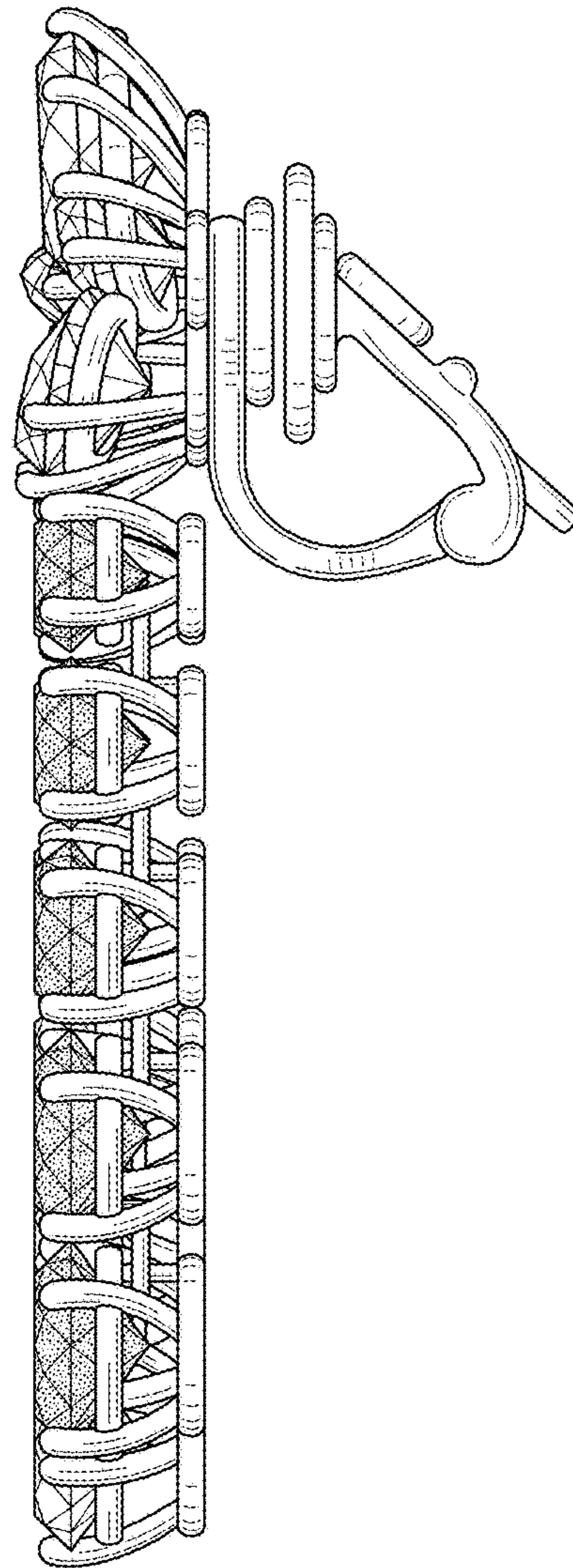


FIG. 5

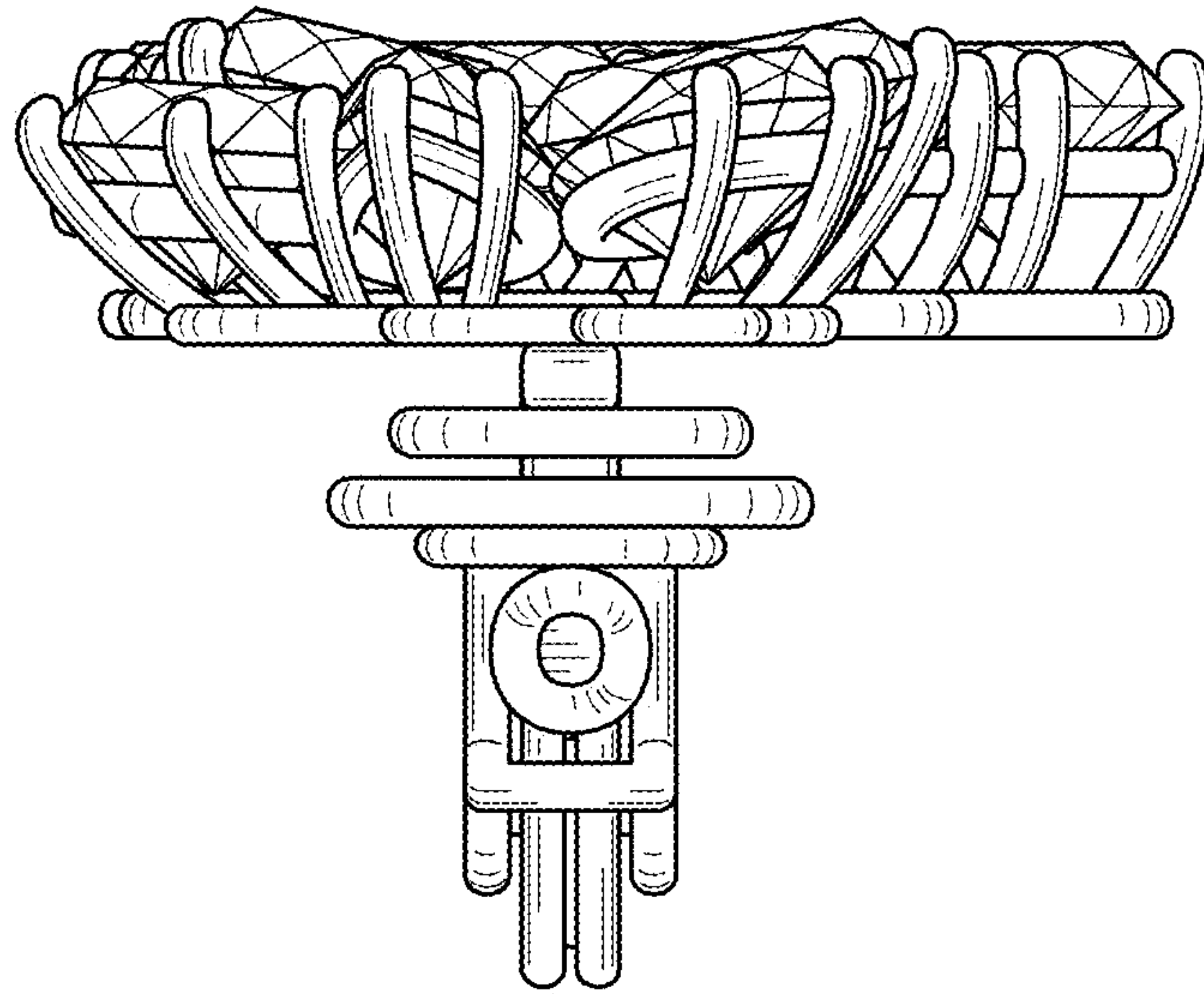


FIG. 6

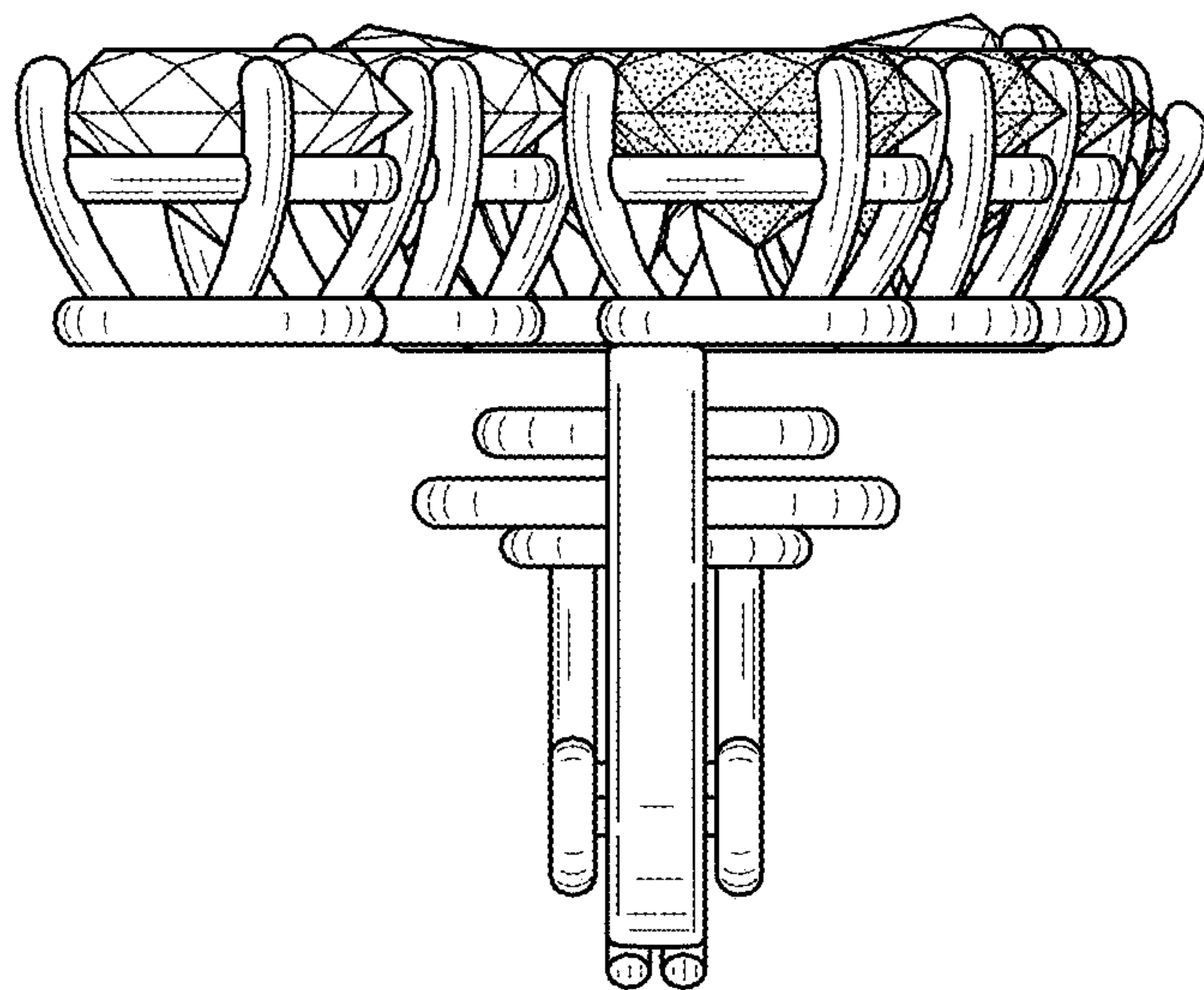


FIG. 7

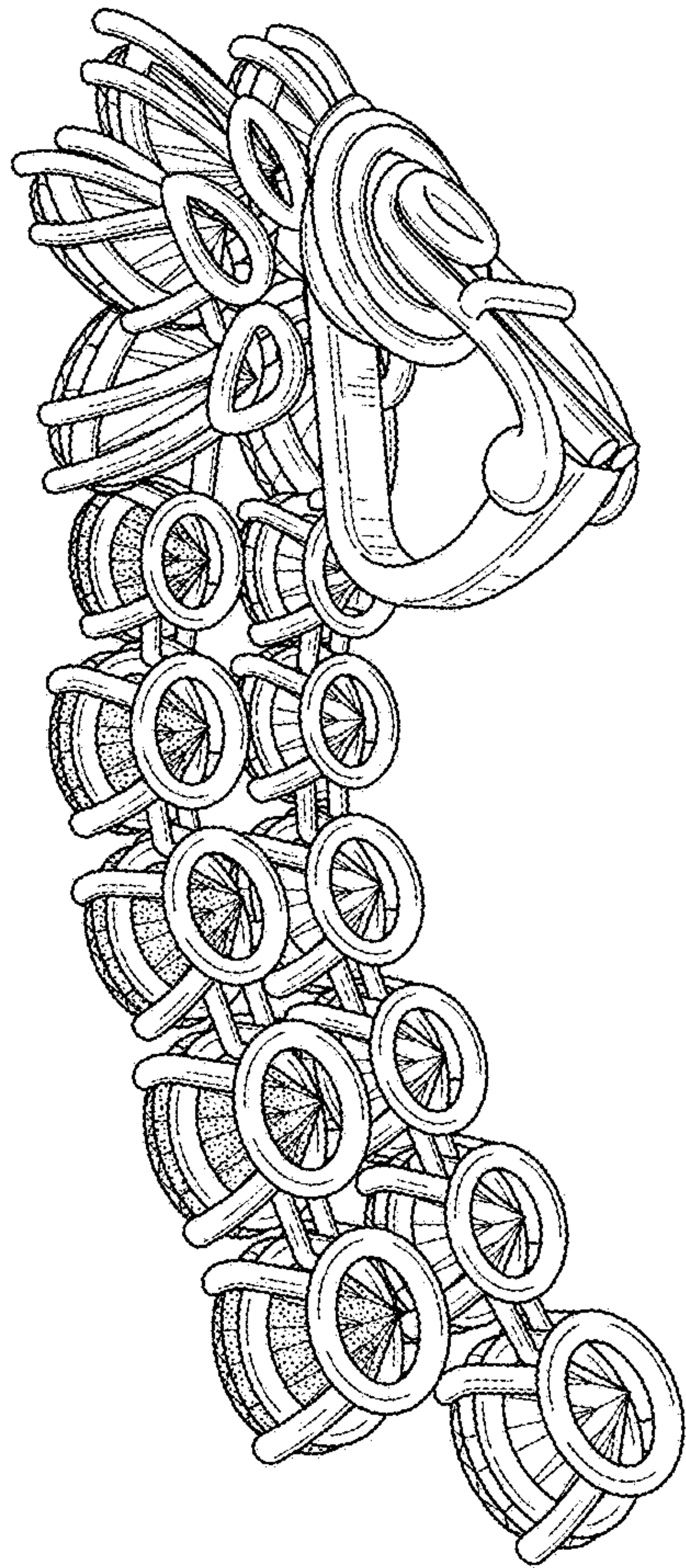


FIG. 8