



US00D797594S

(12) **United States Design Patent** (10) **Patent No.:** **US D797,594 S**
Lasserre (45) **Date of Patent:** **** Sep. 19, 2017**

(54) **DIAL**

OTHER PUBLICATIONS

(71) Applicant: **HARRY WINSTON SA,**
Plan-les-Ouates (CH)
(72) Inventor: **Christophe Lasserre,** Geneva (CH)
(73) Assignee: **HARRY WINSTON SA,**
Plan-les-Ouates (CH)

Neo, S. Review: Harry Winston Histoire De Tourbillon 7, Jun. 2016, Online review Deployant.com, retrieved Jun. 28, 2017 from <<https://www.deployant.com/review-harry-winston-histoire-de-tourbillon-7/>>.*

* cited by examiner

(**) Term: **15 Years**

Primary Examiner — Sheryl Lane

(21) Appl. No.: **29/574,124**

Assistant Examiner — Calvin E Vansant

(22) Filed: **Aug. 12, 2016**

(74) *Attorney, Agent, or Firm* — Donald J. Ranft; Collen IP

(30) **Foreign Application Priority Data**

Feb. 12, 2016 (WO) DM/089 747

(51) **LOC (10) Cl.** **10-07**

(52) **U.S. Cl.**
USPC **D10/126**

(58) **Field of Classification Search**
USPC D10/1-39, 122-132
CPC G04B 17/00; G04B 17/02; G04B 17/005;
G04B 17/285; G04B 37/00; G04B 37/00;
G04B 37/0058; G04B 45/00; G04B
45/02; G04B 45/038; G04B 45/0069;
G04B 45/0076; G04B 29/00

See application file for complete search history.

(56) **References Cited**

U.S. PATENT DOCUMENTS

D327,223 S * 6/1992 Kawashima D10/15
D610,471 S * 2/2010 Parikh D10/11
D641,264 S * 7/2011 Garcia D10/39
D768,020 S * 10/2016 Kamilindi D10/126

(57) **CLAIM**

The ornamental design for a dial, as shown.

DESCRIPTION

FIG. 1 is a front right perspective view of a dial showing my new design;

FIG. 2 is a front view thereof;

FIG. 3 is a rear view thereof;

FIG. 4 is a left side view thereof;

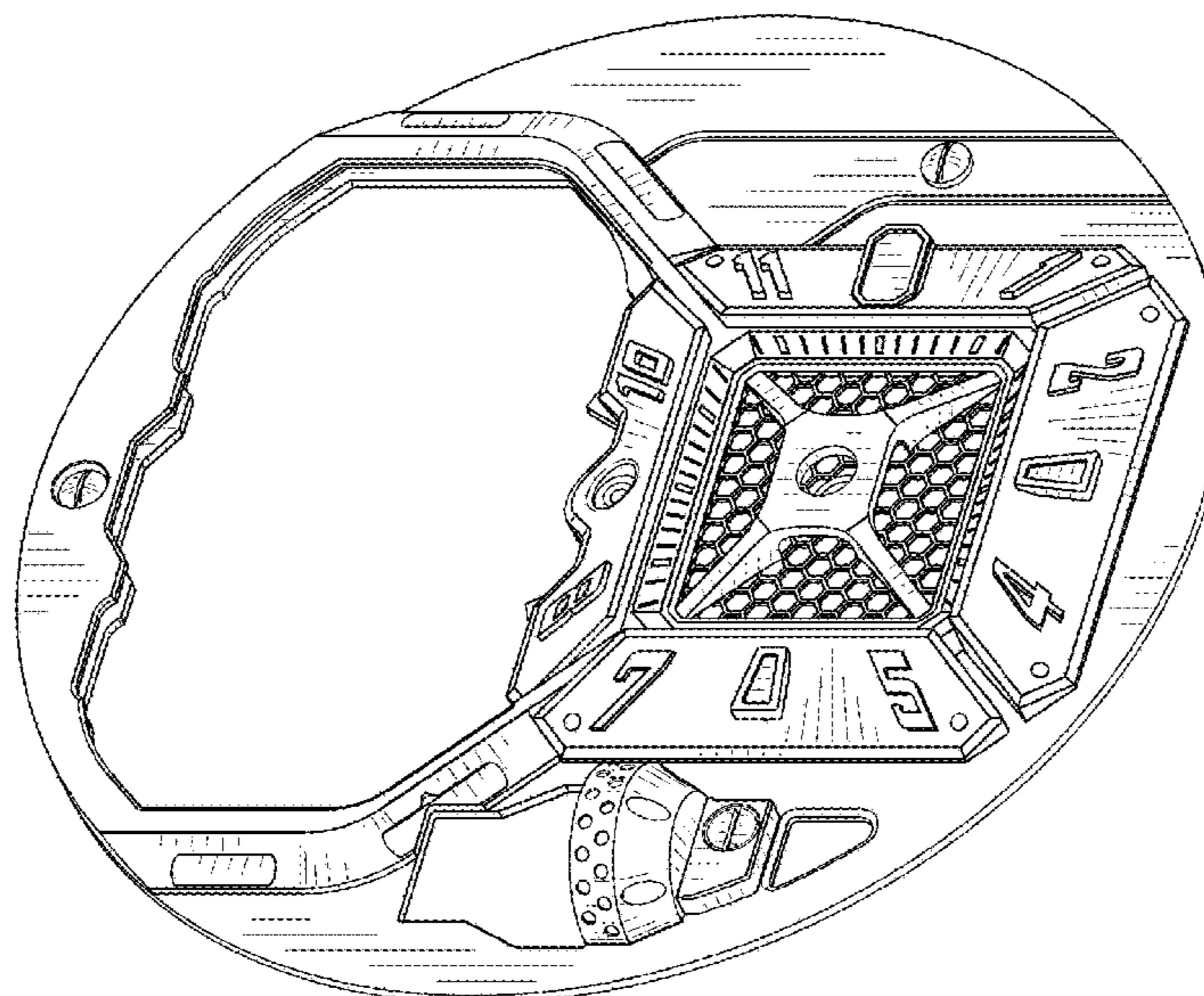
FIG. 5 is a right side view thereof;

FIG. 6 is a top view thereof;

FIG. 7 is a bottom view thereof; and,

FIG. 8 is a rear left perspective view thereof.

1 Claim, 5 Drawing Sheets



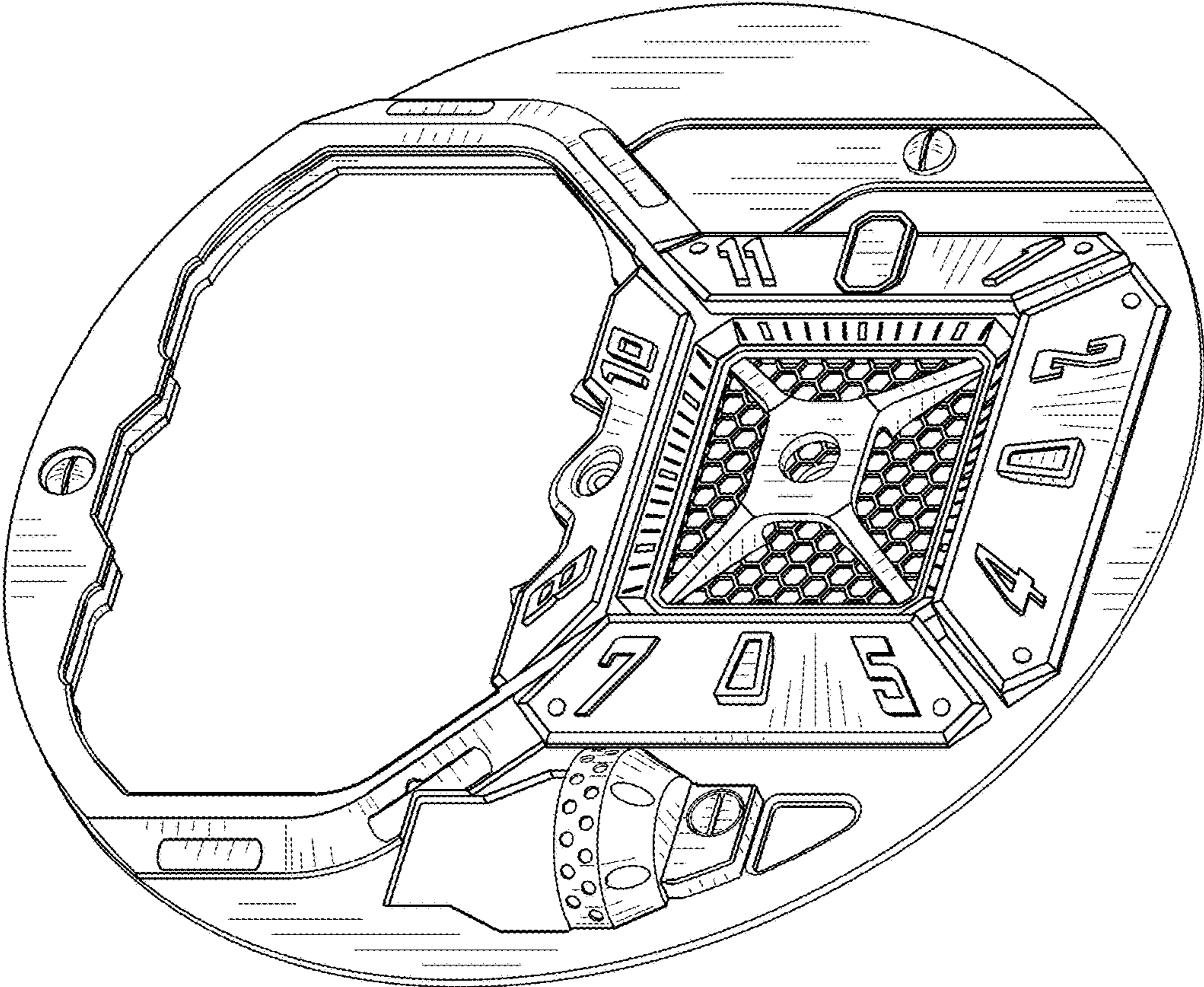


FIG. 1

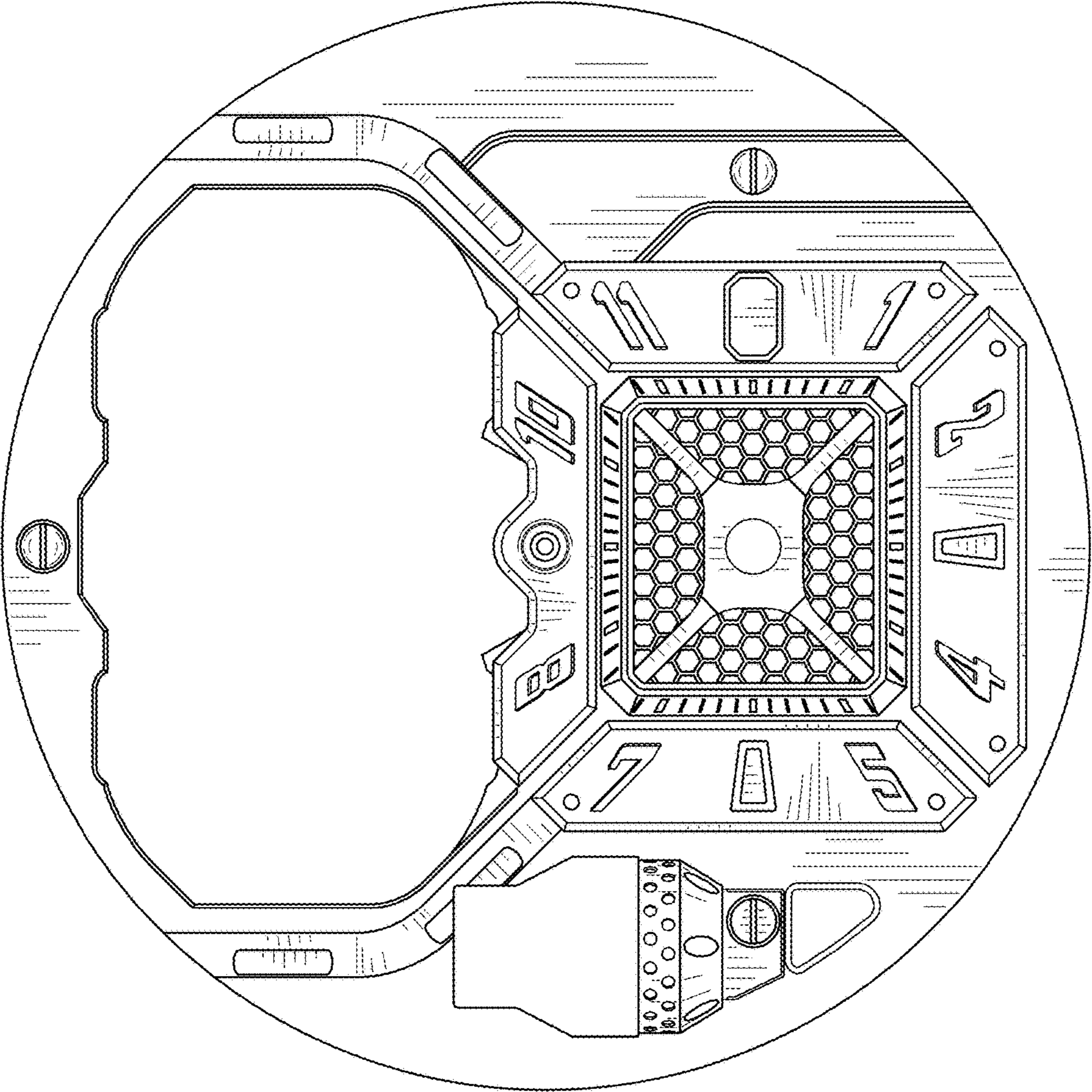


FIG. 2

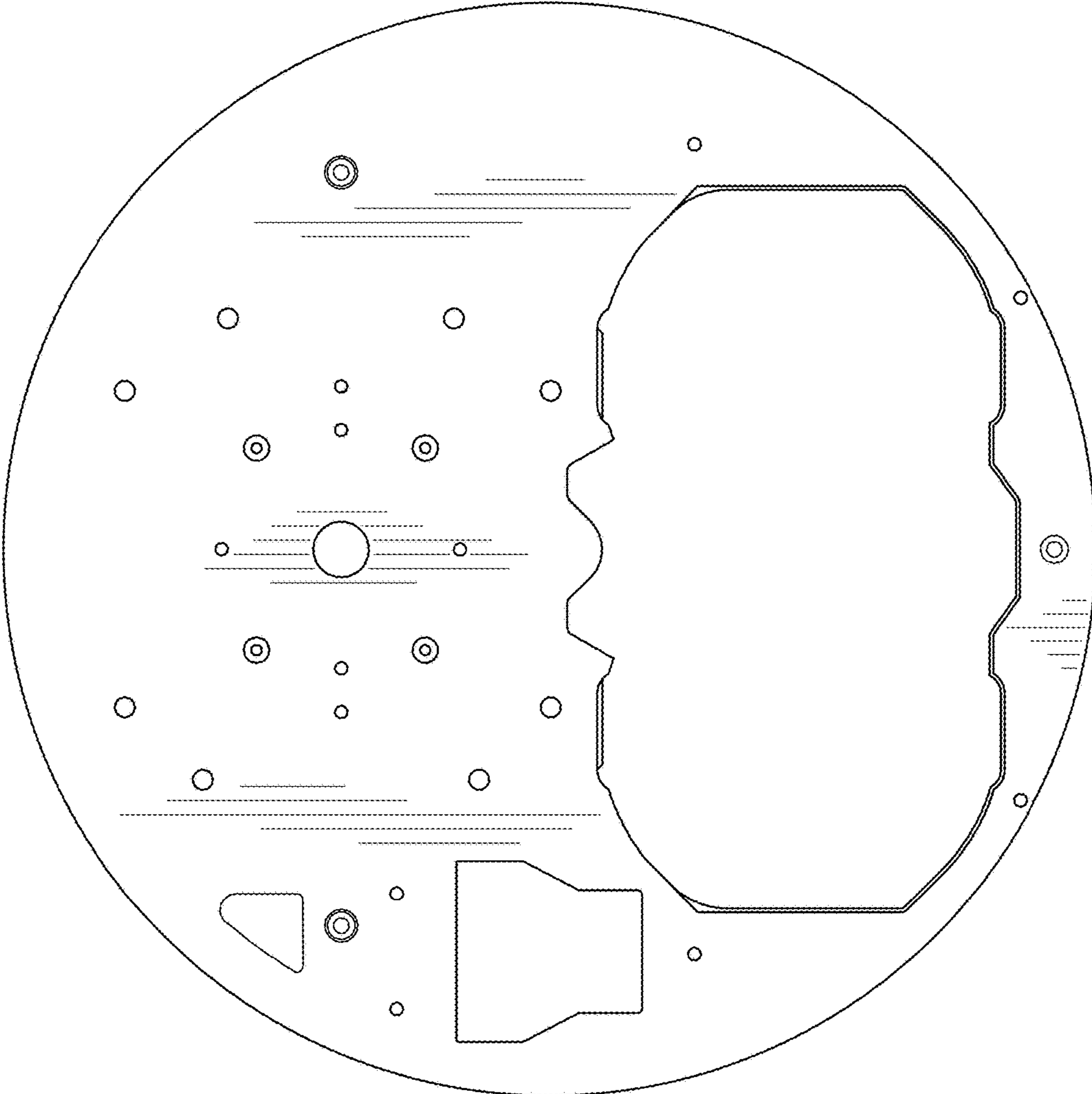


FIG. 3

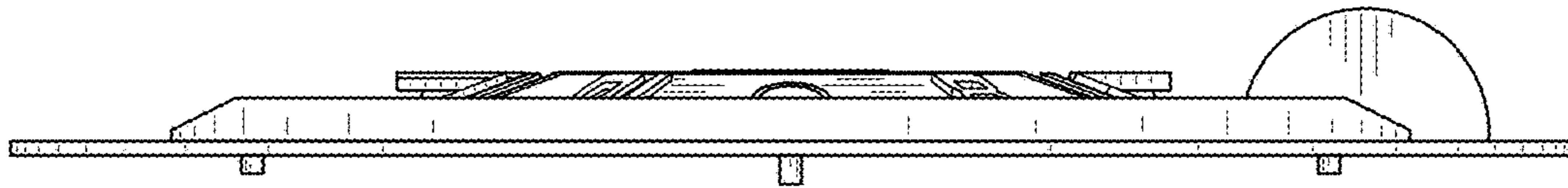


FIG. 4

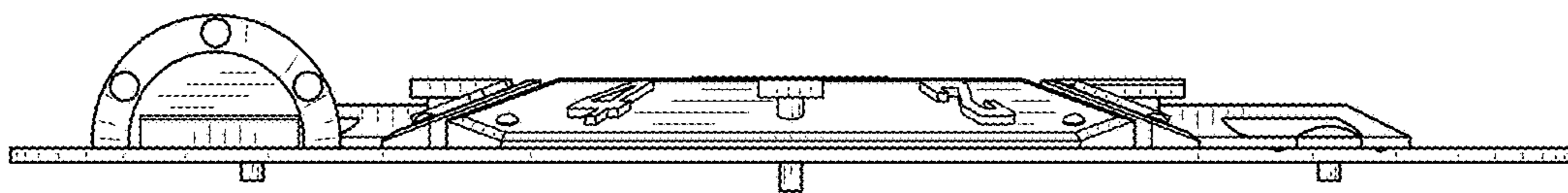


FIG. 5

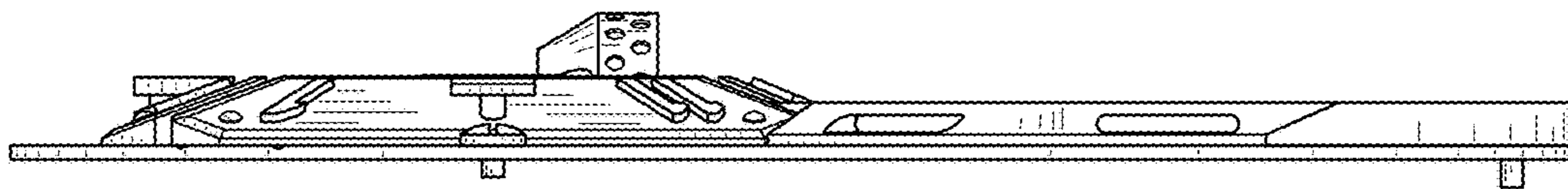


FIG. 6

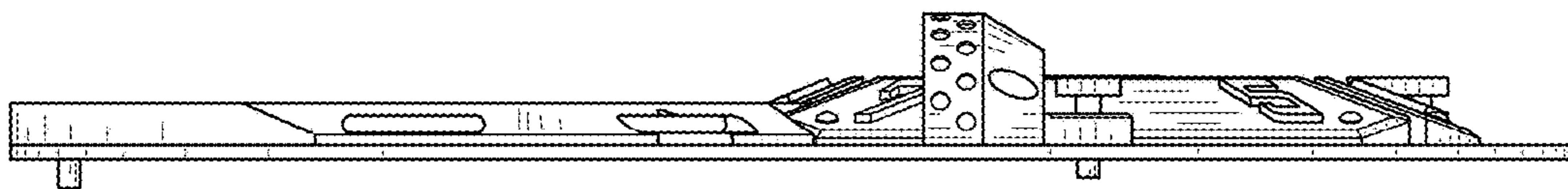


FIG. 7

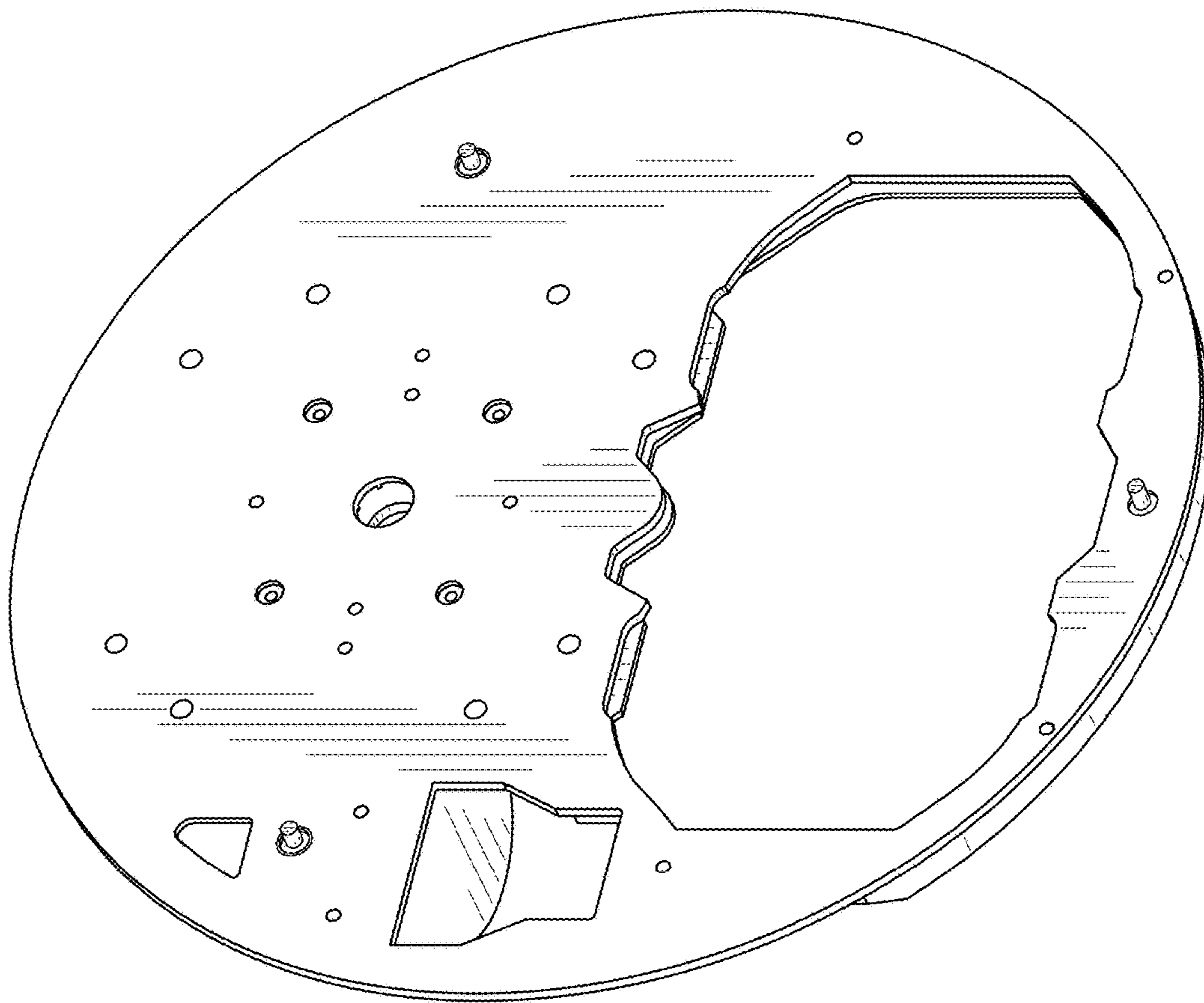


FIG. 8