



US00D797583S

(12) **United States Design Patent**
Chou

(10) **Patent No.:** **US D797,583 S**

(45) **Date of Patent:** **** Sep. 19, 2017**

(54) **LASER DISTANCE METER**

(71) Applicant: **Shenzhen MileSeeey Technology Co., Ltd**, Shenzhen, Guangdong (CN)

(72) Inventor: **Zhi Chou**, Guangdong (CN)

(73) Assignee: **Shenzhen MileSeeey Technology Co., Ltd.** (CN)

(**) Term: **15 Years**

(21) Appl. No.: **29/548,343**

(22) Filed: **Dec. 11, 2015**

(30) **Foreign Application Priority Data**

Sep. 2, 2015 (CN) 2015 3 0337295

(51) **LOC (10) Cl.** **10-04**

(52) **U.S. Cl.**

USPC **D10/70; D10/78**

(58) **Field of Classification Search**

USPC D10/70, 78

CPC ... G01C 3/00; G01C 3/02; G01C 3/04; G01C 3/06; G01C 3/08; G01C 3/085; G01C 3/10; G01C 3/12; G01C 3/16; G01C 3/18; G01C 3/20; G01C 3/22; G01C 3/24; G01C 3/26; G01C 3/28; G01C 3/30; G01C 3/32

See application file for complete search history.

(56) **References Cited**

U.S. PATENT DOCUMENTS

D574,276 S * 8/2008 Burkandt D10/70

D576,895 S * 9/2008 Burkandt D10/70

D692,329 S * 10/2013 Burkandt D10/70

2005/0128465 A1 * 6/2005 Skultety-Betz G01C 3/08
356/4.01

2009/0097011 A1 * 4/2009 Henschel G01C 3/02
356/4.01

2010/0225896 A1 * 9/2010 Wolf G01C 15/002
356/4.01

* cited by examiner

Primary Examiner — Antoine D Davis

(57) **CLAIM**

The ornamental design for a laser distance meter, as shown and described.

DESCRIPTION

FIG. 1 is a front elevation view of the laser distance meter showing my new design;

FIG. 2 is a back elevation view thereof;

FIG. 3 is a left elevation view thereof;

FIG. 4 is a right elevation view thereof;

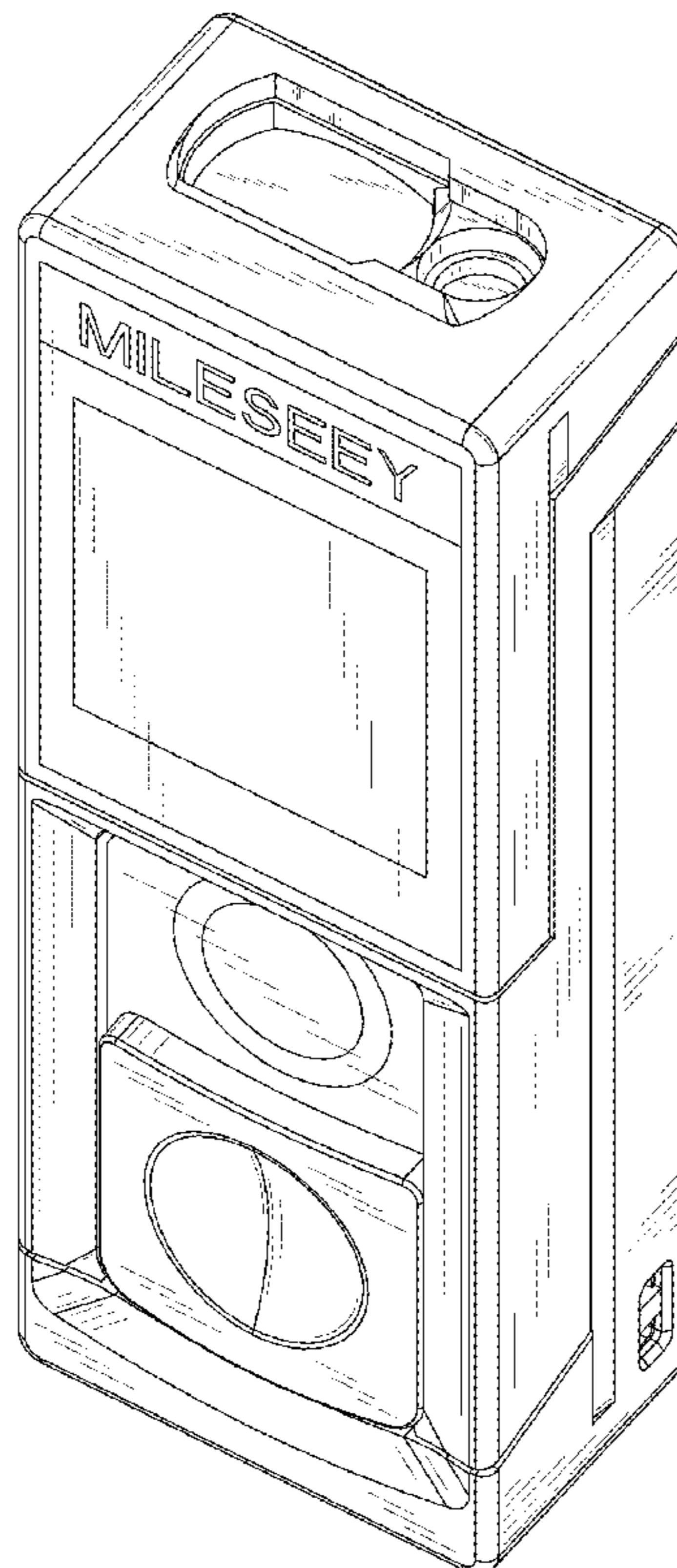
FIG. 5 is a top view thereof;

FIG. 6 is a bottom view thereof; and,

FIG. 7 is a perspective view thereof.

The broke lines in the drawing depict portions of the laser distance meter that form no part of the claimed design.

1 Claim, 6 Drawing Sheets



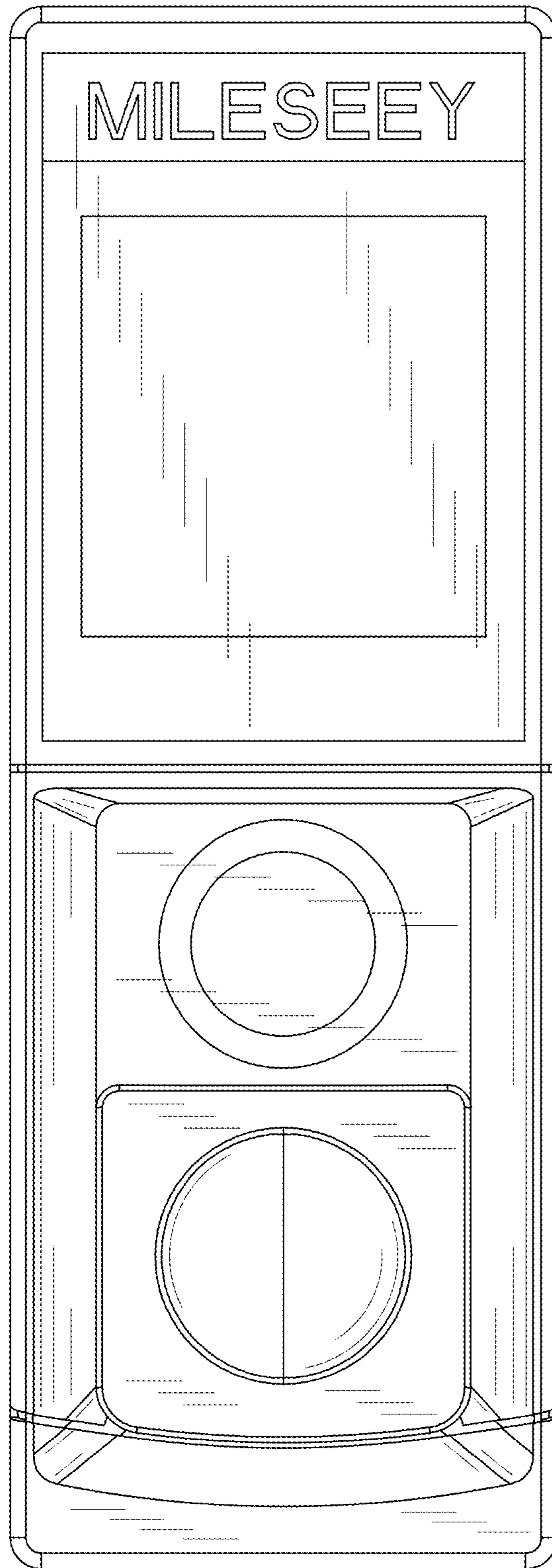


FIG.1

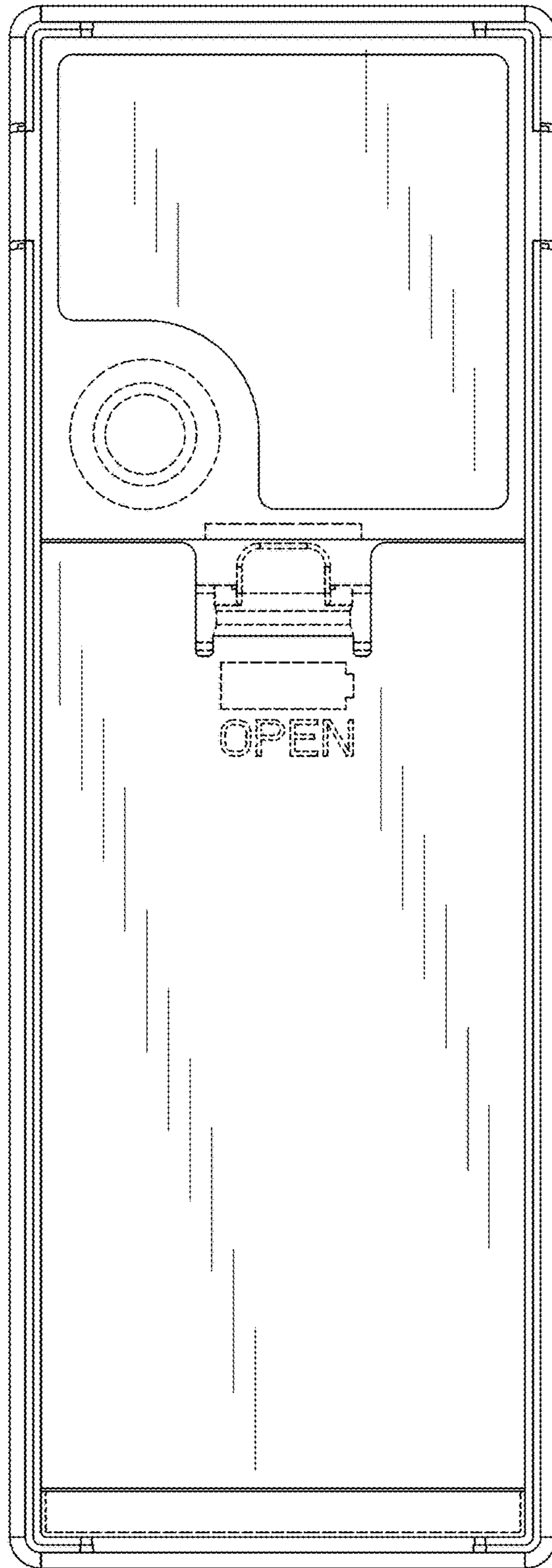


FIG. 2

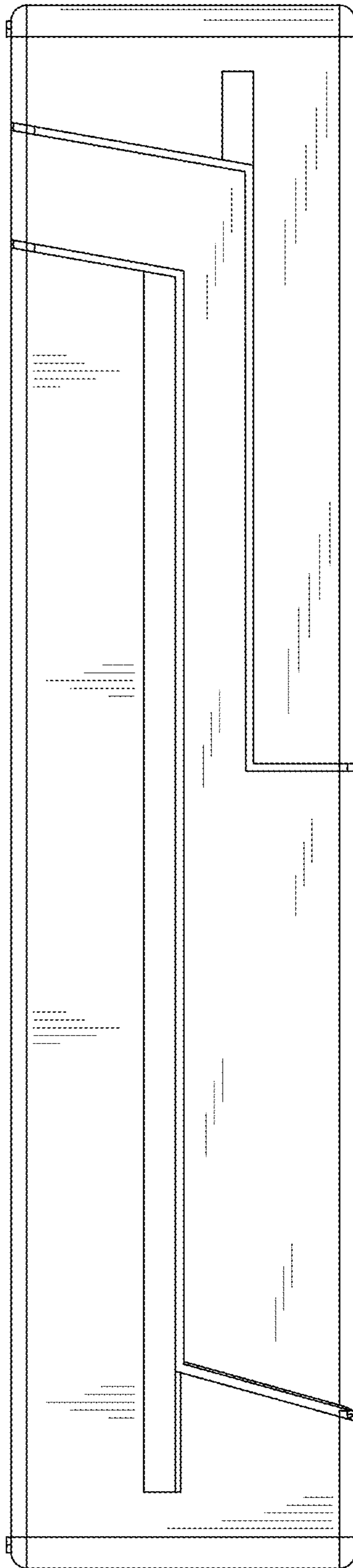


FIG.3

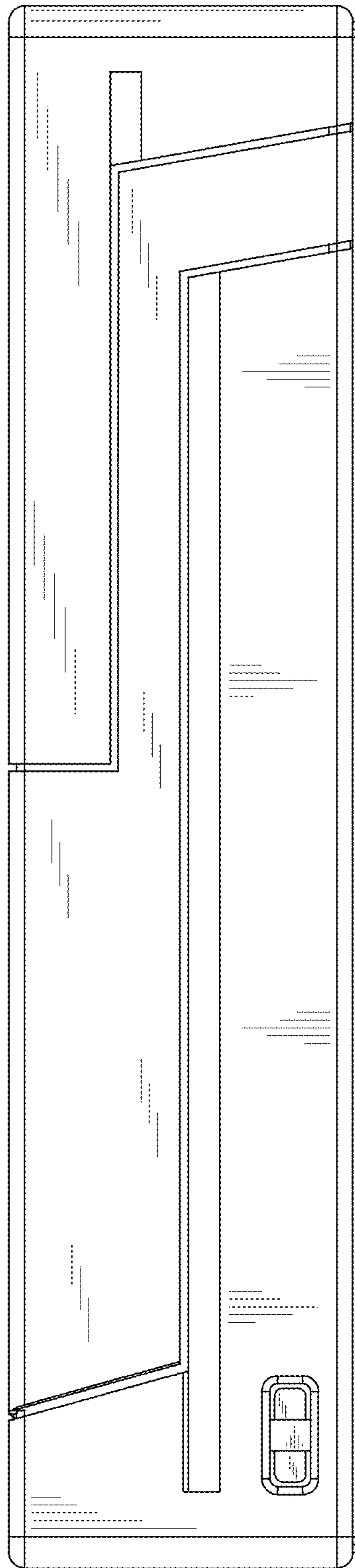


FIG.4

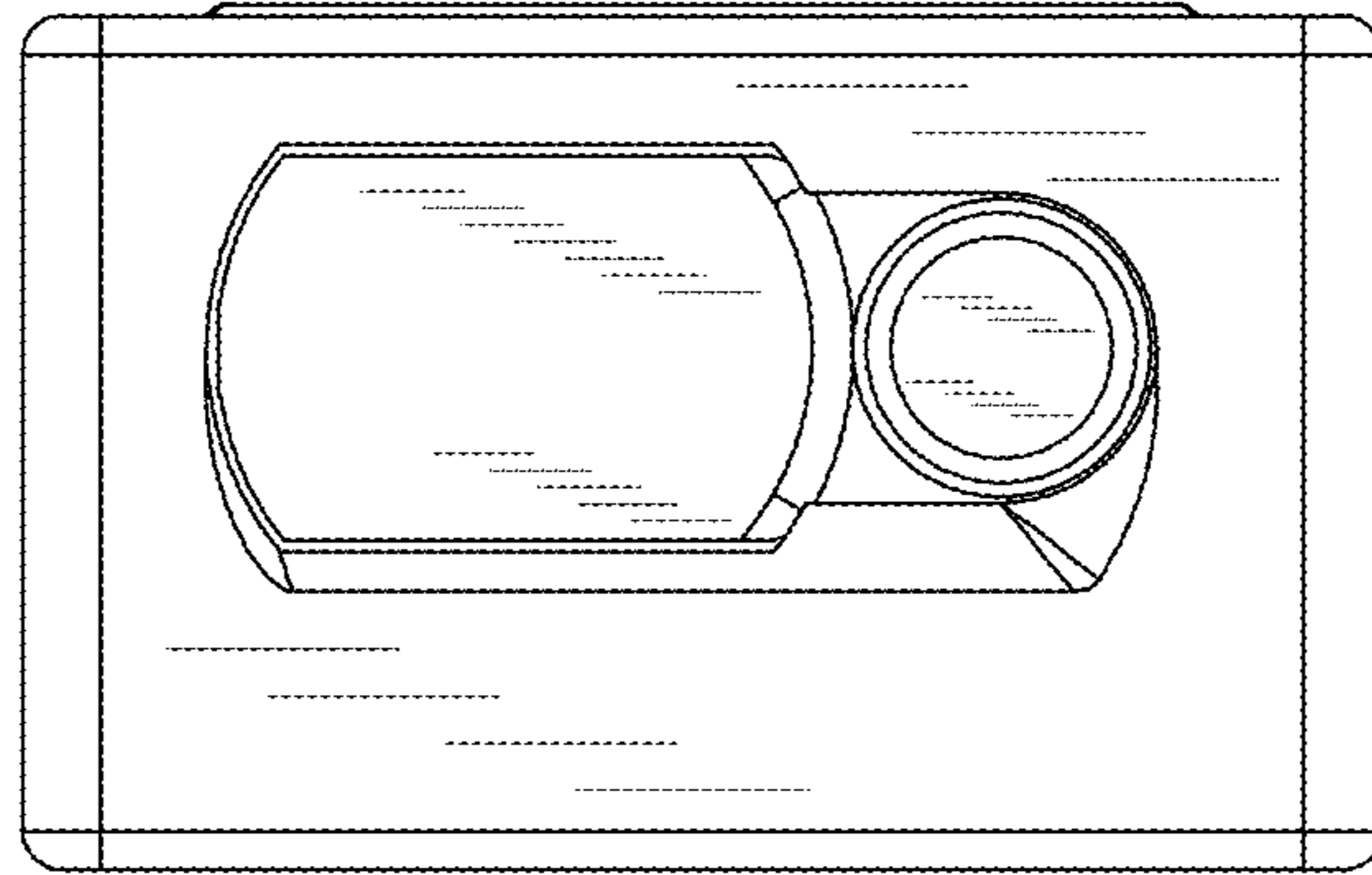


FIG.5

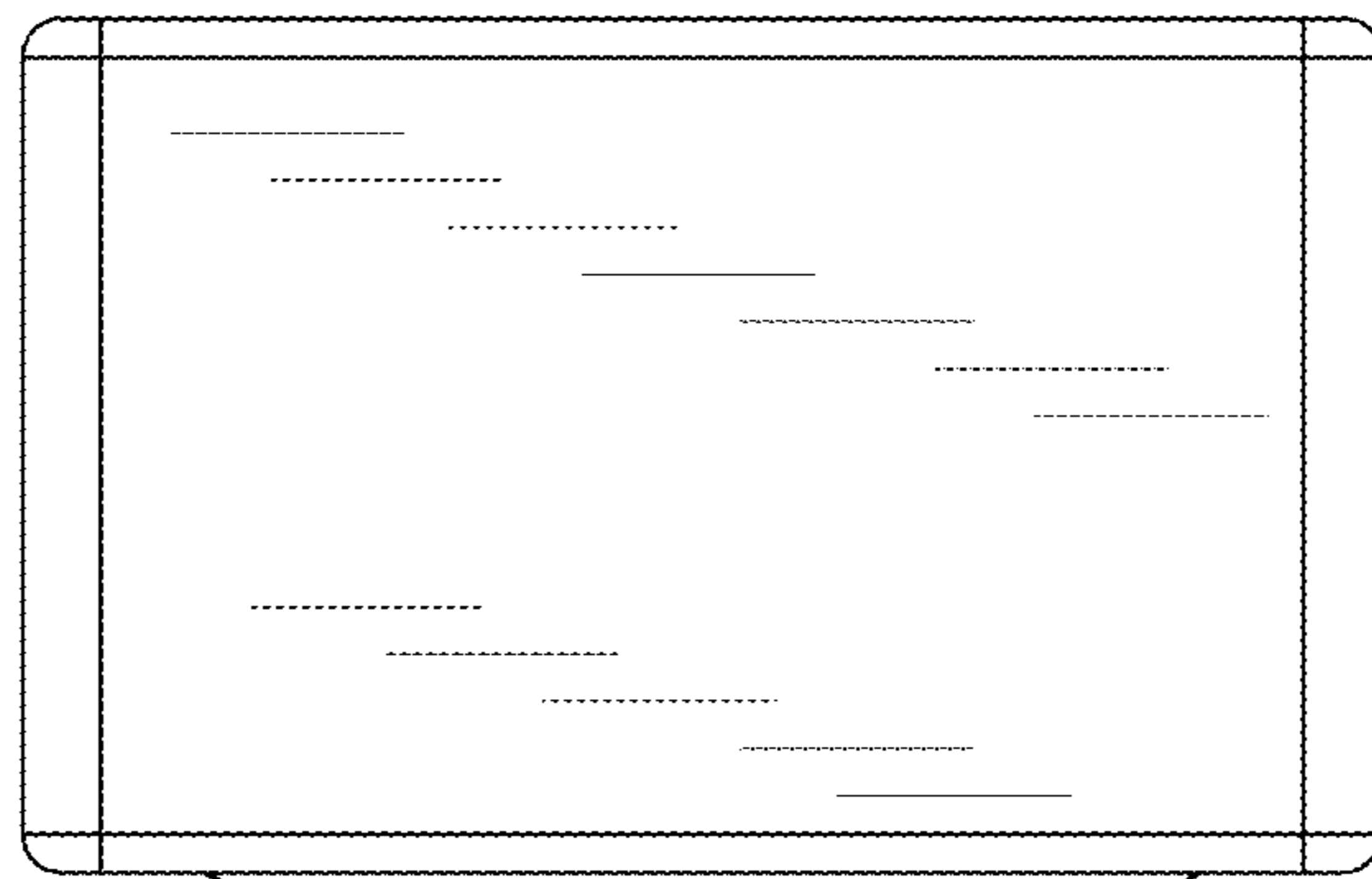


FIG.6

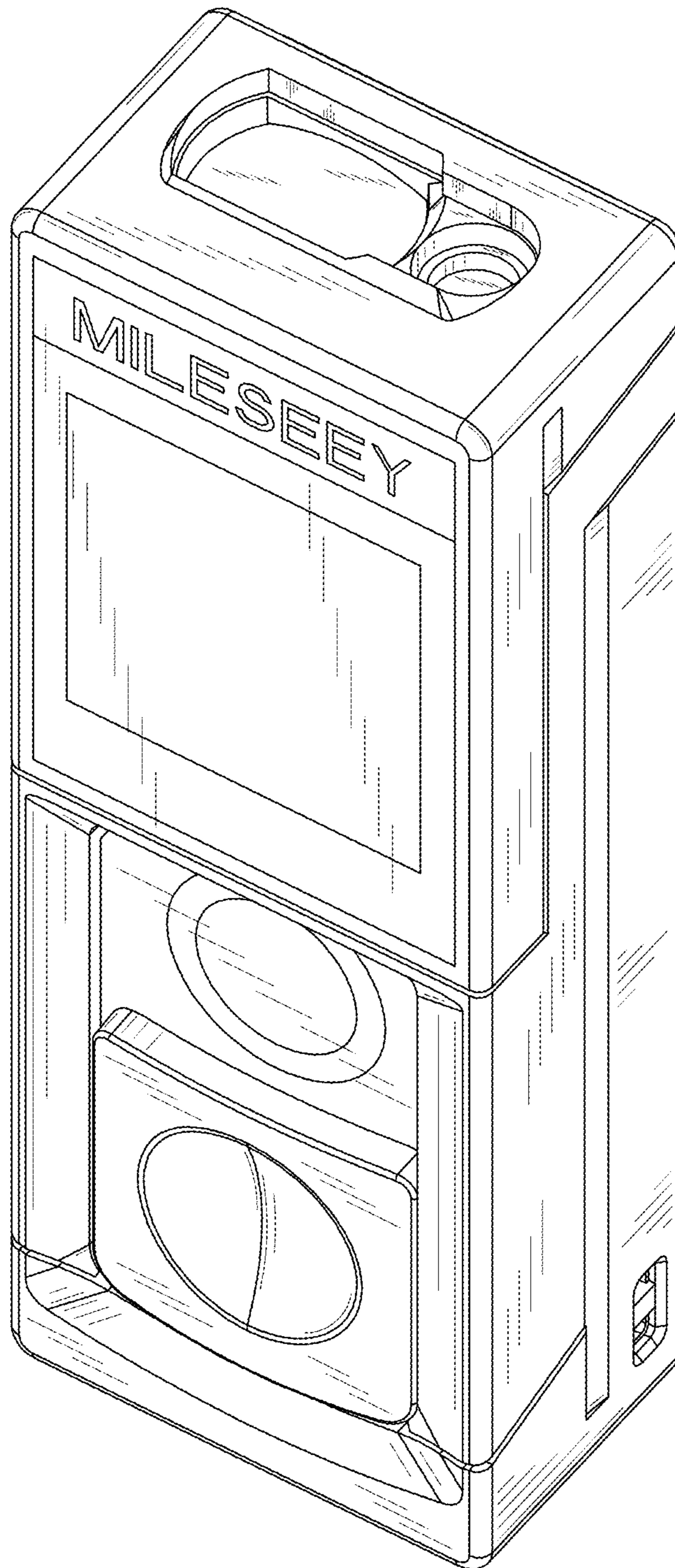


FIG.7