



US00D797582S

(12) **United States Design Patent** (10) **Patent No.:** **US D797,582 S**
Ewringmann et al. (45) **Date of Patent:** **** Sep. 19, 2017**

(54) **SENSOR HOUSING**

(71) Applicant: **JOSEPH VOEGELE AG**,
Ludwigshafen/Rhein (DE)

(72) Inventors: **Ulrich Ewringmann**, Poecking (DE);
Boris Eickhoff, Munich (DE)

(73) Assignee: **Joseph Voegele AG**,
Ludwigshafen/Rhein (DE)

(**) Term: **15 Years**

(21) Appl. No.: **29/541,216**

(22) Filed: **Oct. 1, 2015**

(30) **Foreign Application Priority Data**

Apr. 1, 2015 (EM) 002673624

(51) **LOC (10) Cl.** **10-04**

(52) **U.S. Cl.**
USPC **D10/70; D15/28**

(58) **Field of Classification Search**
USPC D10/46, 65, 70, 106; D15/28
CPC B60W 30/12; E01C 19/004; E01C 19/006;
E01C 19/008; G01B 2210/16; G01B
2210/24; G01B 2210/28; G01B 21/16;
G01S 15/88

See application file for complete search history.

(56) **References Cited**

U.S. PATENT DOCUMENTS

2014/0165693 A1 6/2014 Buschmann et al.
2016/0116587 A1* 4/2016 Miller G01S 15/08
701/41

* cited by examiner

Primary Examiner — Antoine D Davis

(74) *Attorney, Agent, or Firm* — Brooks Kushman P.C.

(57) **CLAIM**

The ornamental design for a sensor housing, as shown and described.

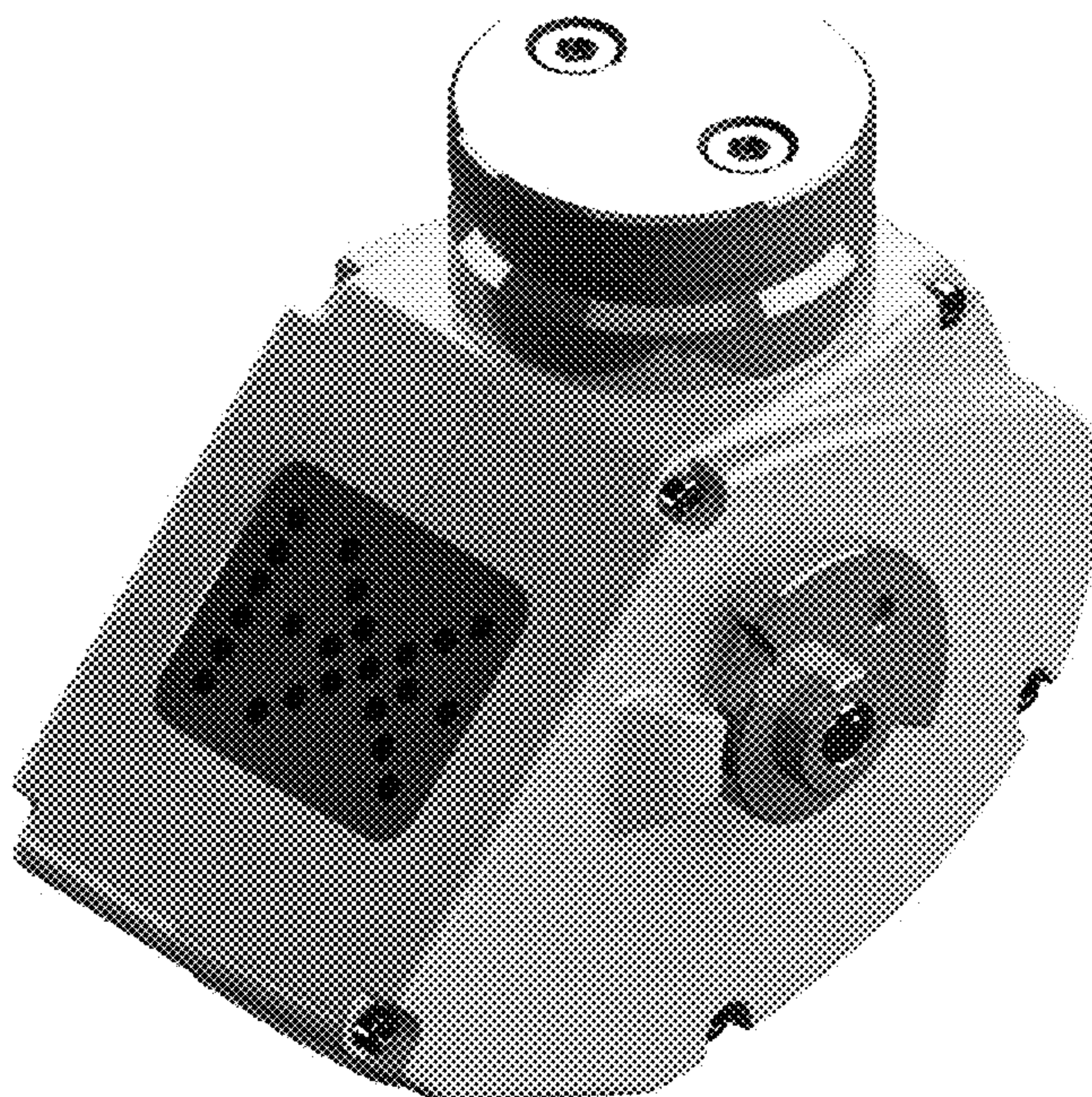
DESCRIPTION

The patent or application file contains at least one drawing executed in color. Copies of this patent or patent application publication with color drawing(s) will be provided by the Office upon request and payment of the necessary fee.

FIG. 1 shows a perspective view onto the front side, right side and top side of a sensor housing design, FIG. 2 shows a view onto the right side of the design of FIG. 1, FIG. 3 shows a view onto the left side of the design of FIG. 1, FIG. 4 shows a view onto the front side of the design of FIG. 1, FIG. 5 shows a view onto the rear side of the design of FIG. 1, FIG. 6 shows a view onto the top side of the design of FIG. 1; and, FIG. 7 shows a view onto the bottom side of the design of FIG. 1.

The fasteners are for illustrative purposes only and form no part of the claimed design.

1 Claim, 7 Drawing Sheets
(7 of 7 Drawing Sheet(s) Filed in Color)



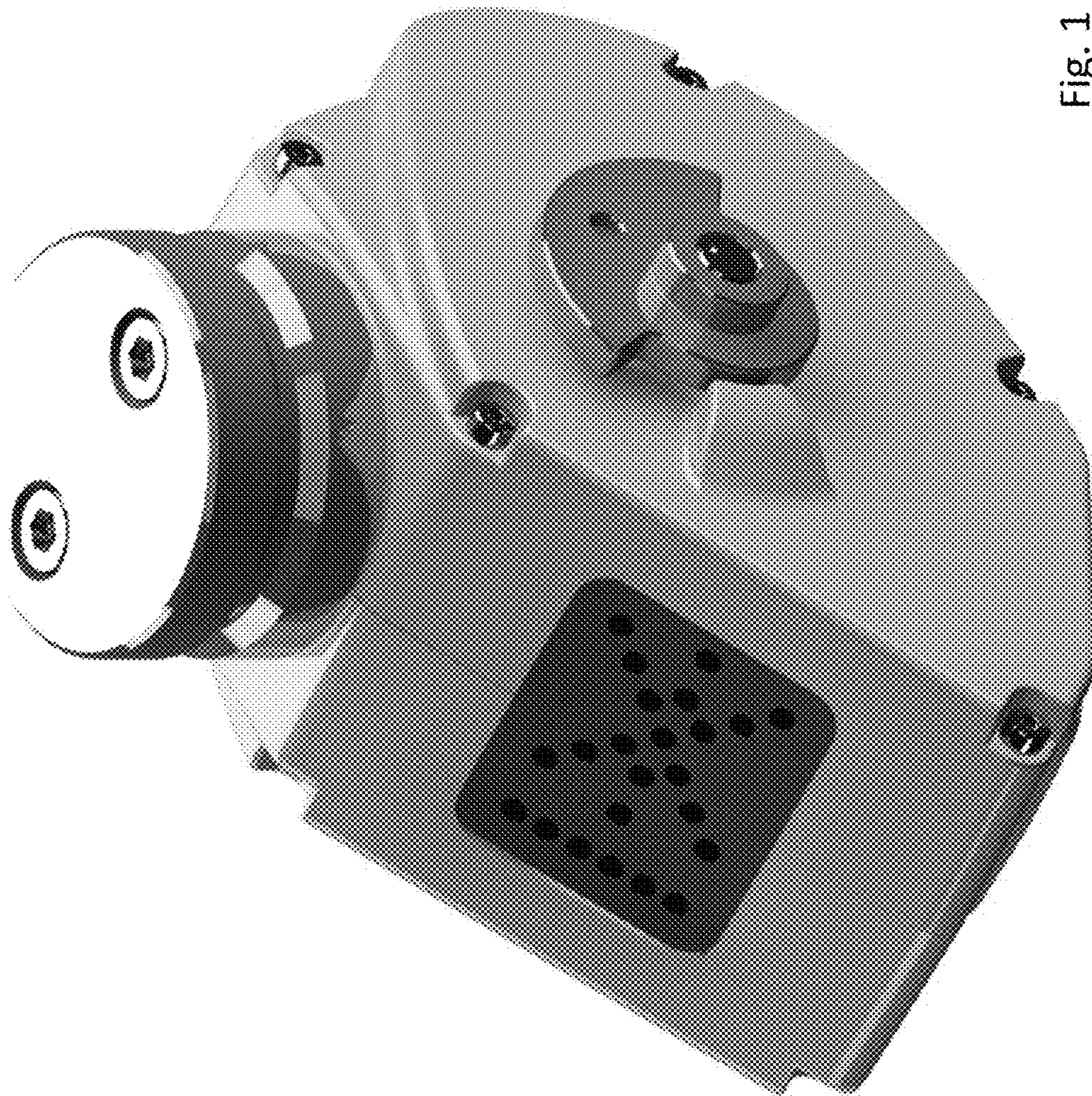


Fig. 1

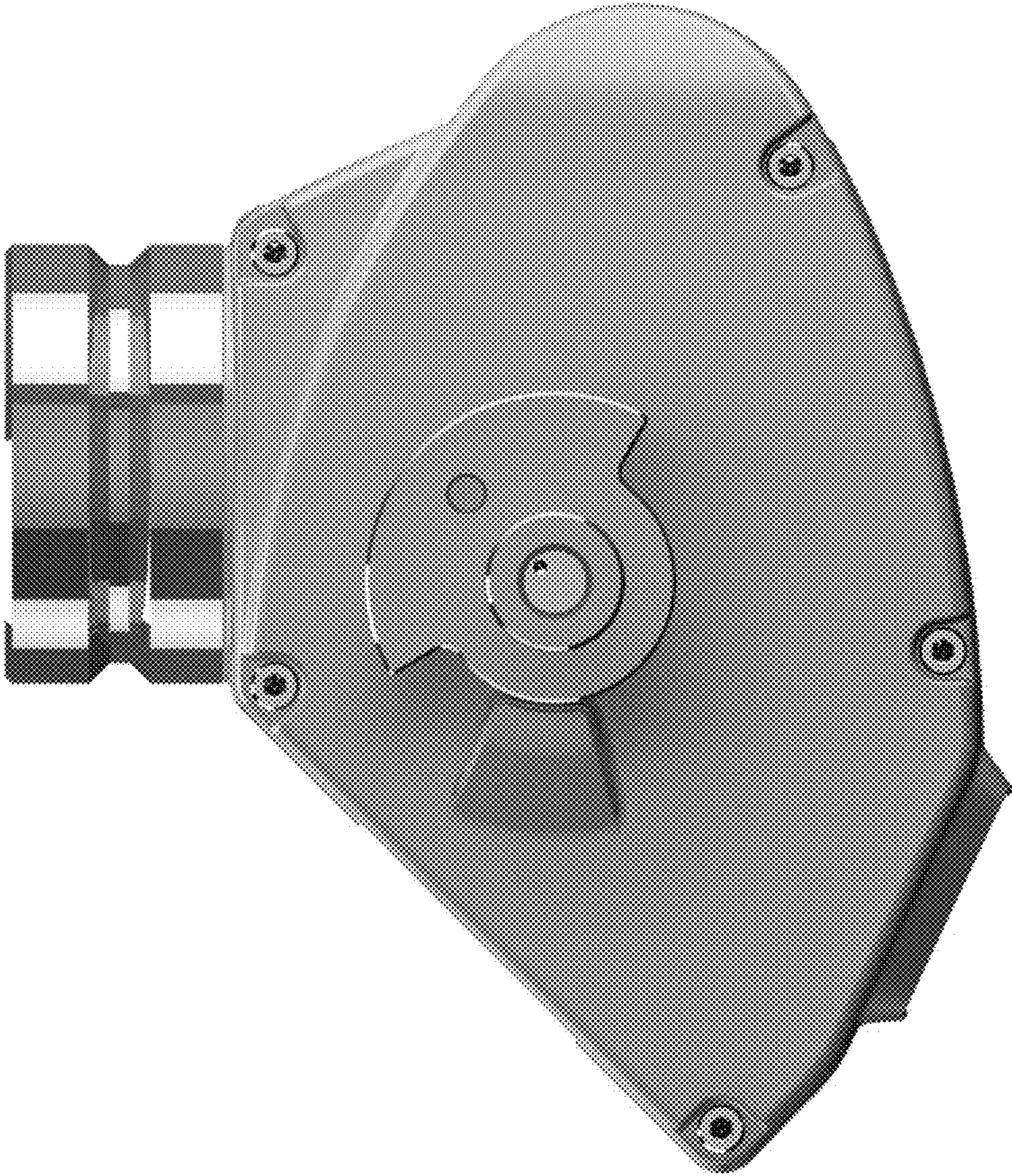


Fig. 2

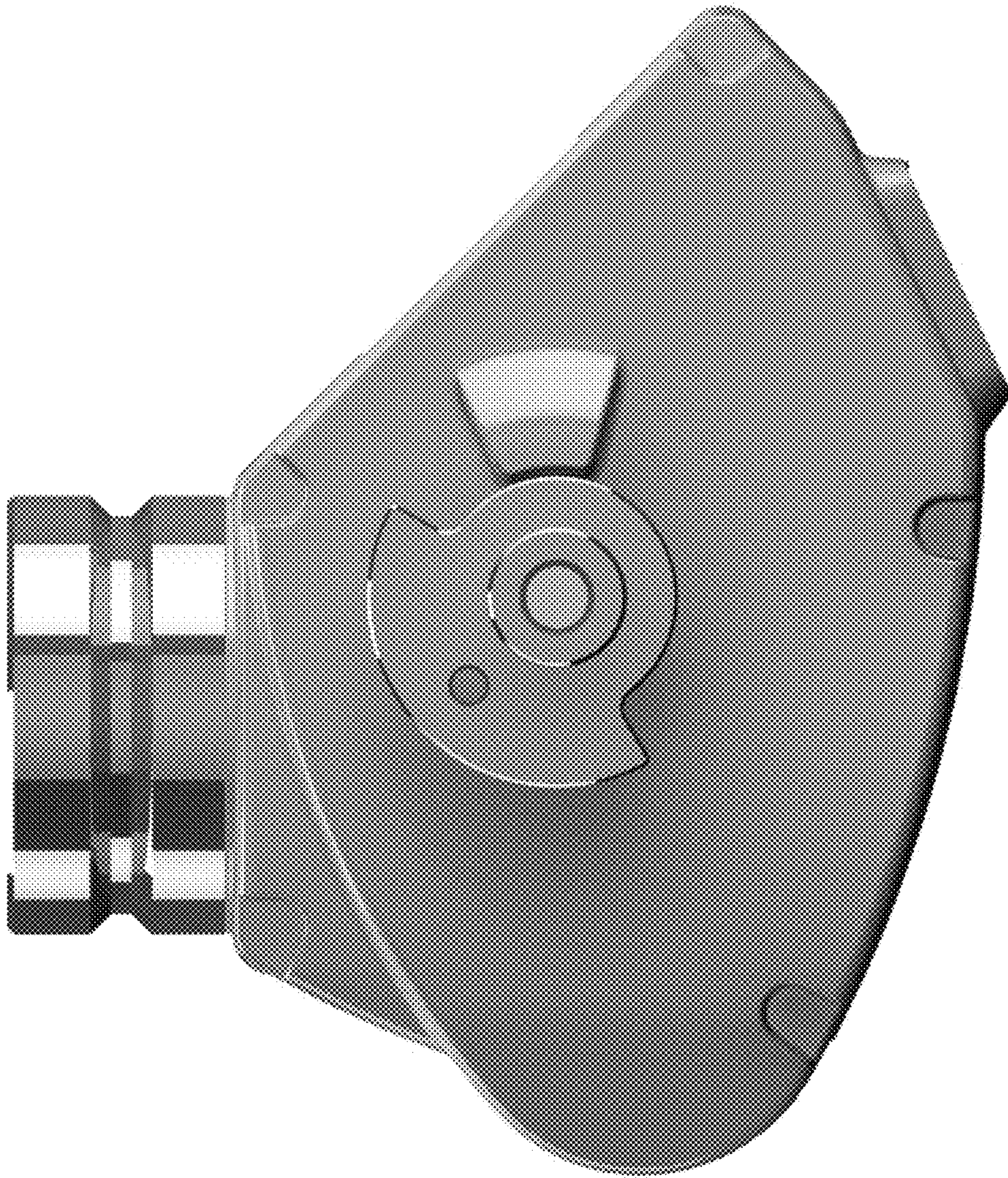


Fig. 3

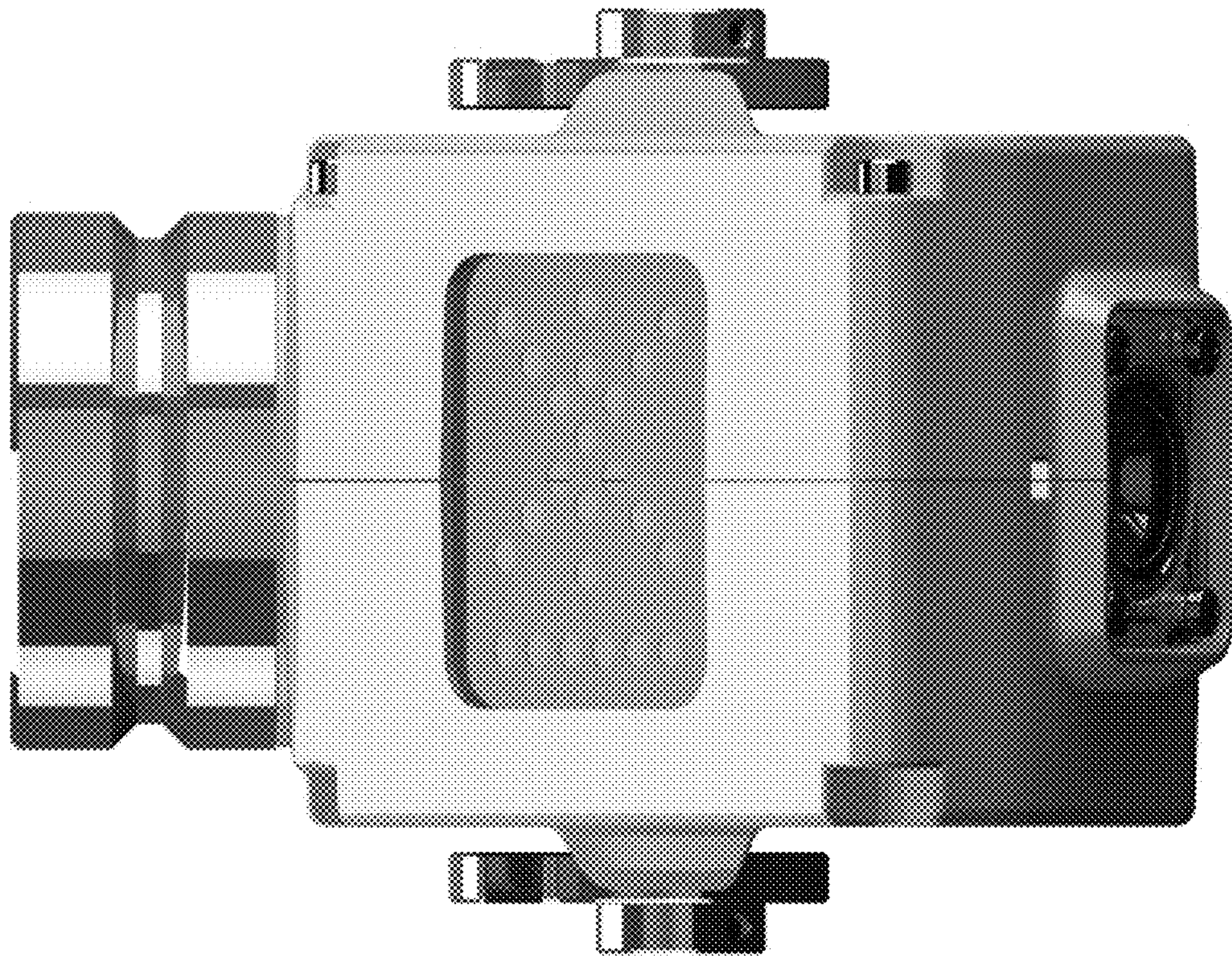


Fig. 4

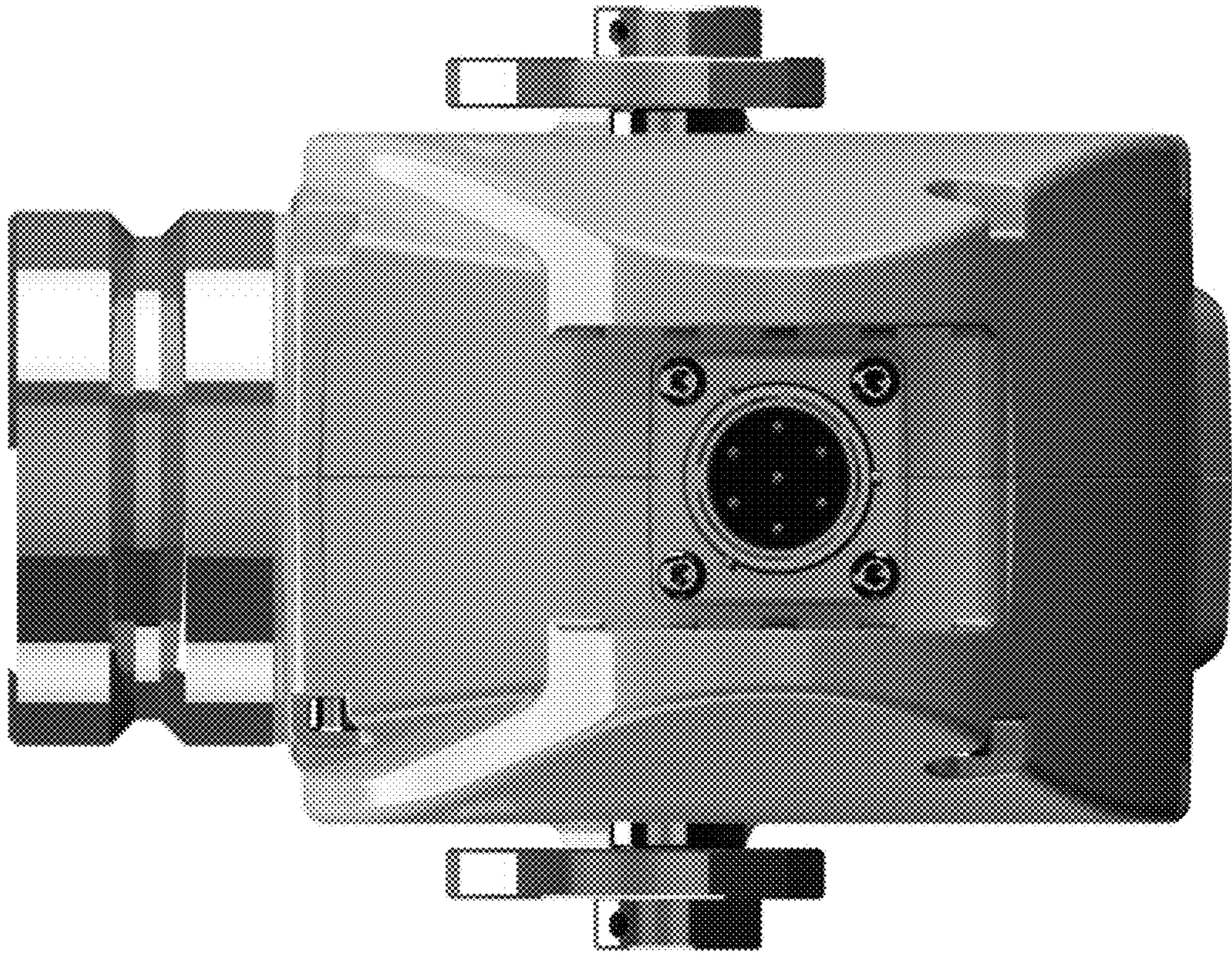


Fig. 5

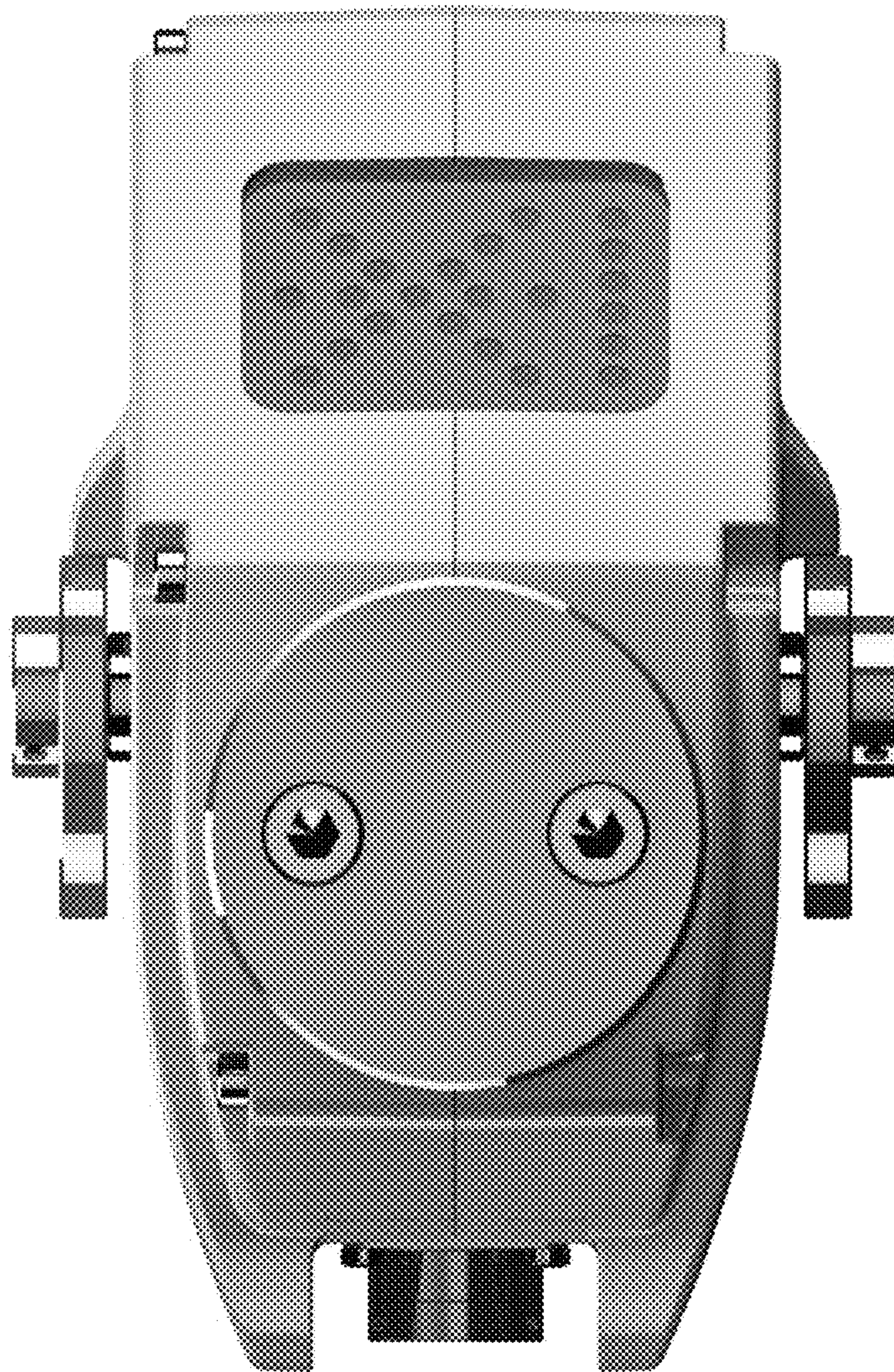


Fig. 6

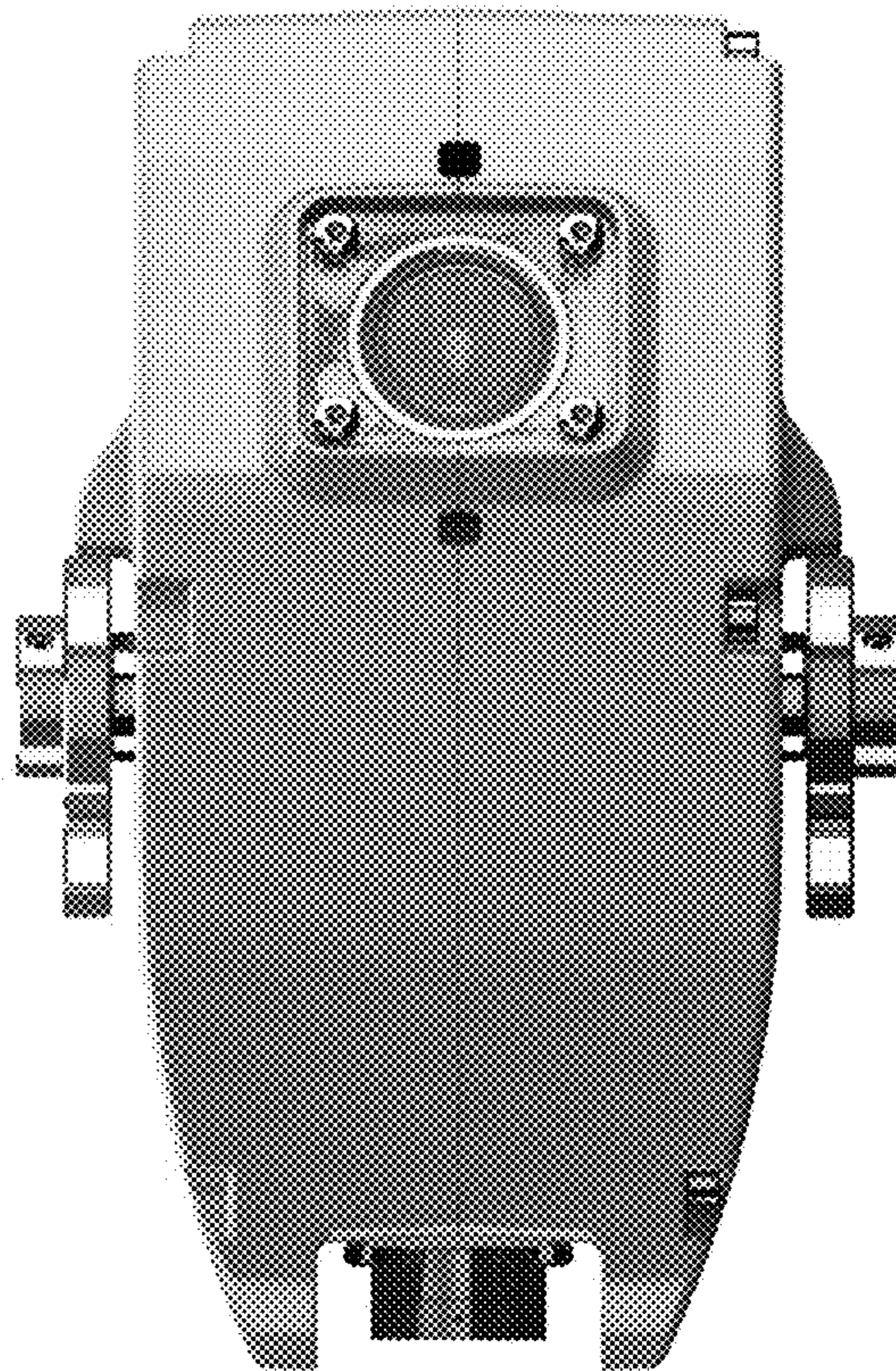


Fig. 7