



US00D797578S

(12) **United States Design Patent** (10) **Patent No.:** **US D797,578 S**
Modolo (45) **Date of Patent:** **** Sep. 19, 2017**

(54) **WRISTWATCH**

(71) Applicant: **MONTRES CORUM SÀRL**, La
Chaux-de-Fonds (CH)

(72) Inventor: **Dino Modolo**, La Chaux-de-Fonds
(CH)

(**) Term: **15 Years**

(21) Appl. No.: **35/501,223**

(22) Filed: **Jul. 4, 2016**

(80) **Hague Agreement Data**

Int. Filing Date: **Jul. 4, 2016**
 Int. Reg. No.: **DM/091456**
 Int. Reg. Date: **Jul. 4, 2016**
 Int. Reg. Pub. Date: **Jul. 15, 2016**

(51) **LOC (10) Cl.** **10-02**

(52) **U.S. Cl.**
USPC **D10/39**

(58) **Field of Classification Search**
USPC D10/39, 126
See application file for complete search history.

(56) **References Cited**

U.S. PATENT DOCUMENTS

D438,473 S * 3/2001 Dumas D10/39
 D568,180 S * 5/2008 Laucella D10/39

D579,793 S * 11/2008 Hayek D10/39
 D678,082 S * 3/2013 Mille D10/39
 D693,245 S * 11/2013 Mille D10/39
 D708,075 S * 7/2014 Mille D10/39
 D756,245 S * 5/2016 Mille D10/126
 D789,806 S * 6/2017 Mille D10/30
 D789,807 S * 6/2017 Mille D10/30

* cited by examiner

Primary Examiner — George D Kirschbaum

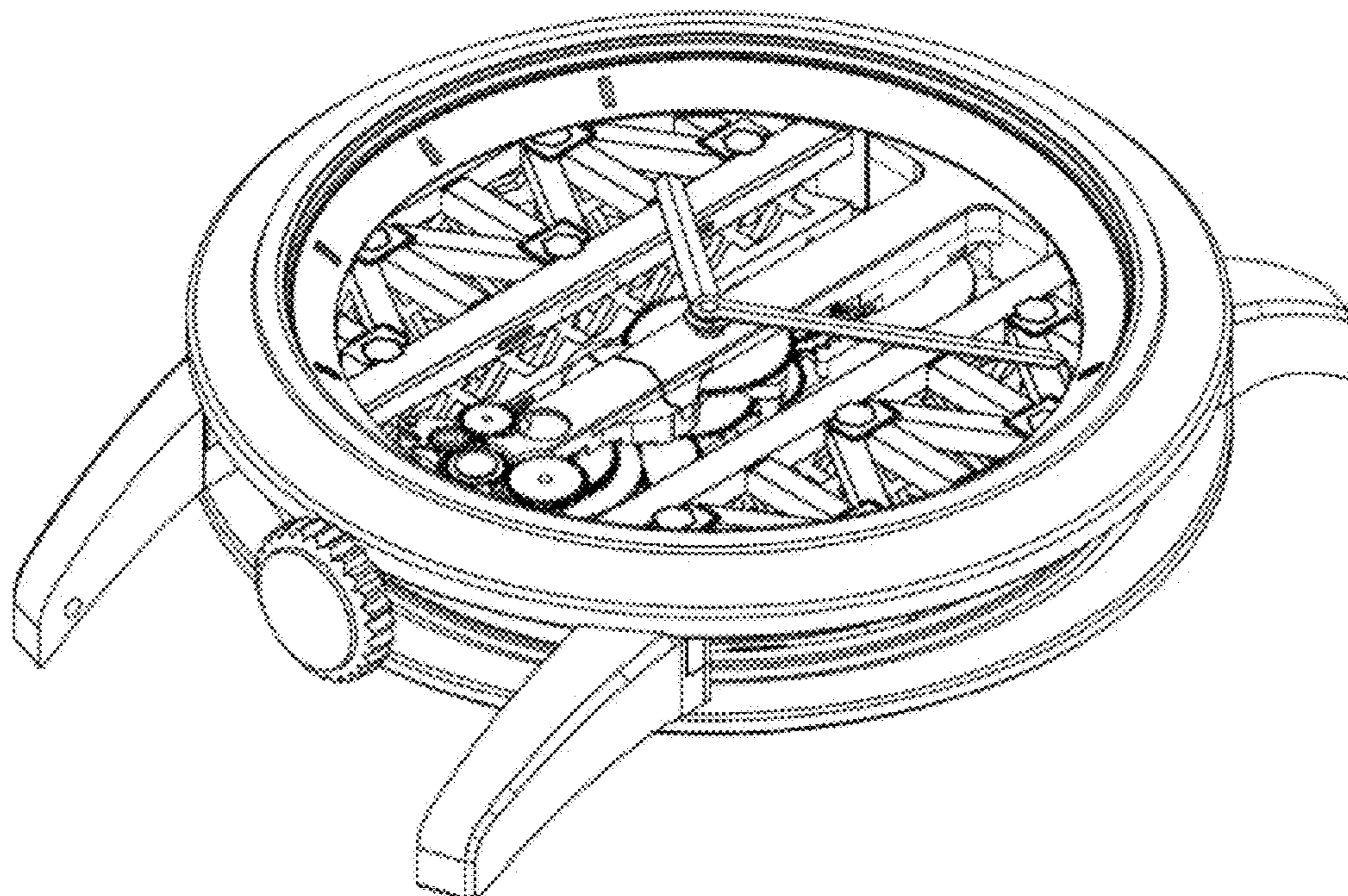
(57) **CLAIM**

The ornamental design of a wristwatch, as shown and described.

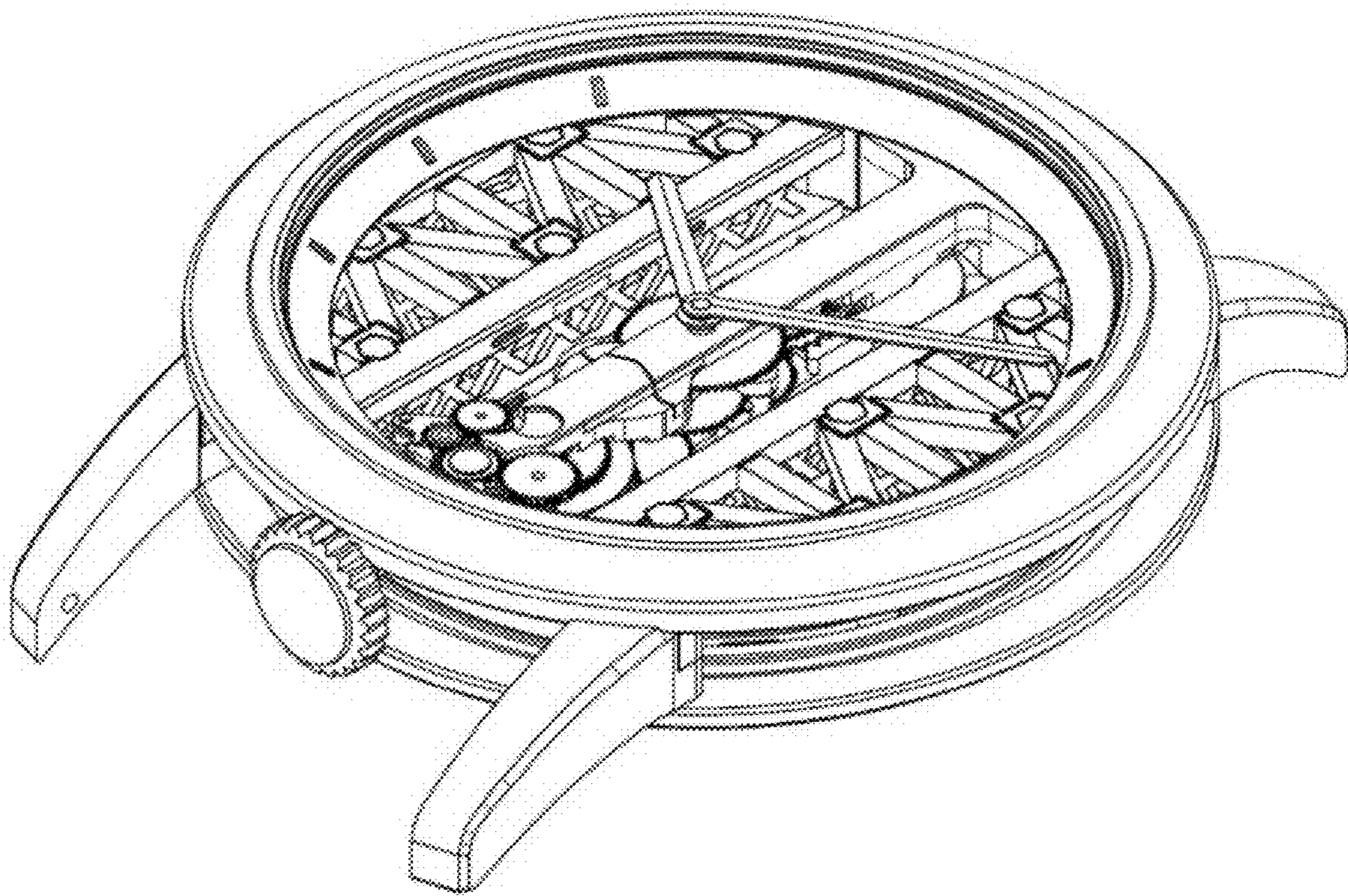
DESCRIPTION

- 1. Wristwatch
- 1.1 : Perspective
- 1.2 : Profile
- 1.3 : Profile
- 1.4 : Profile
- 1.5 : Profile
- 1.6 : Bottom
- 1.7 : Top

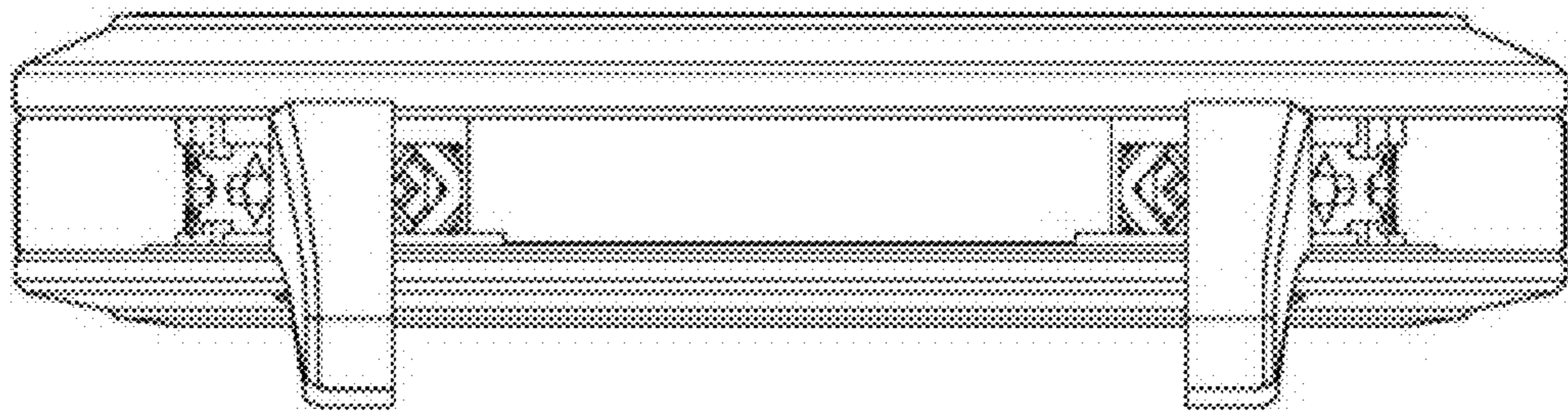
1 Claim, 7 Drawing Sheets



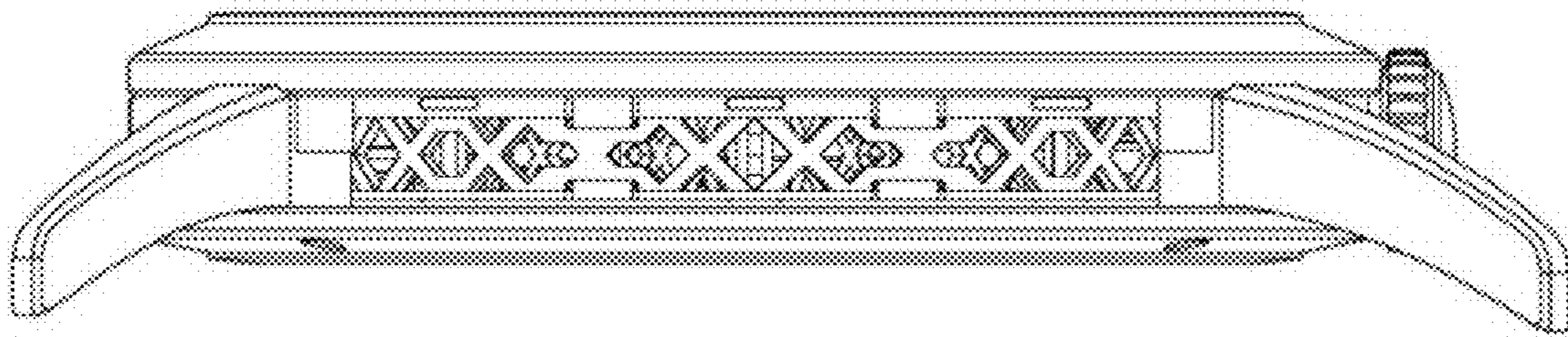
1.1



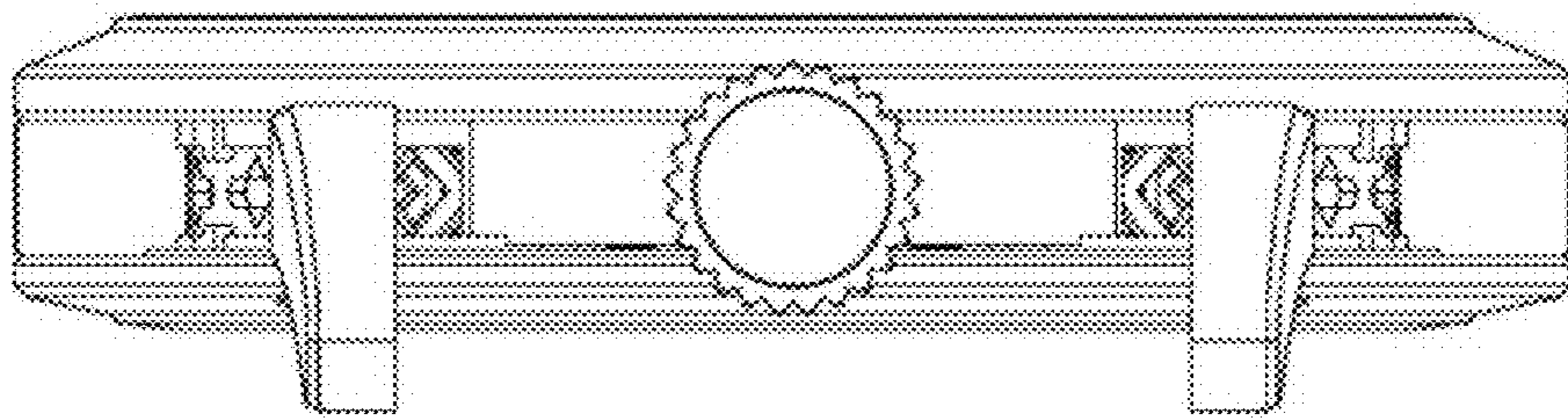
1.2



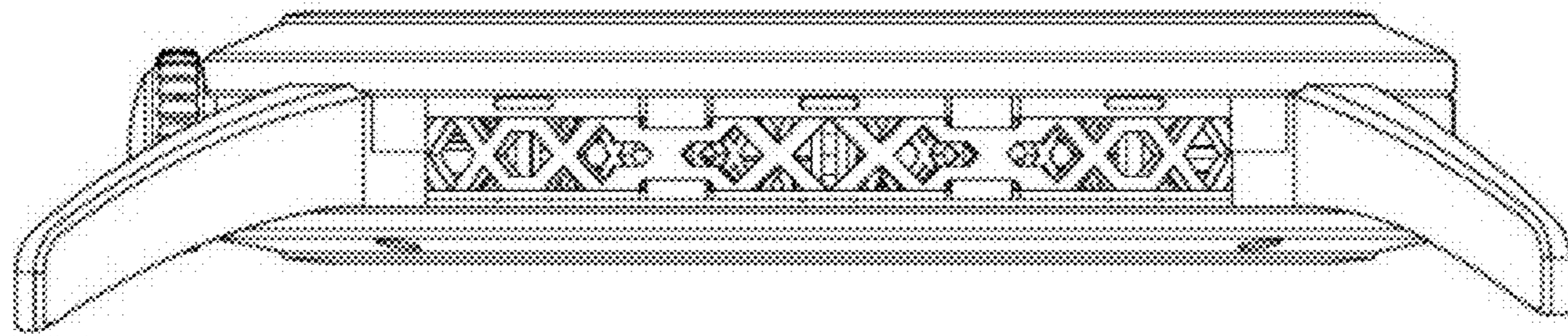
1.3



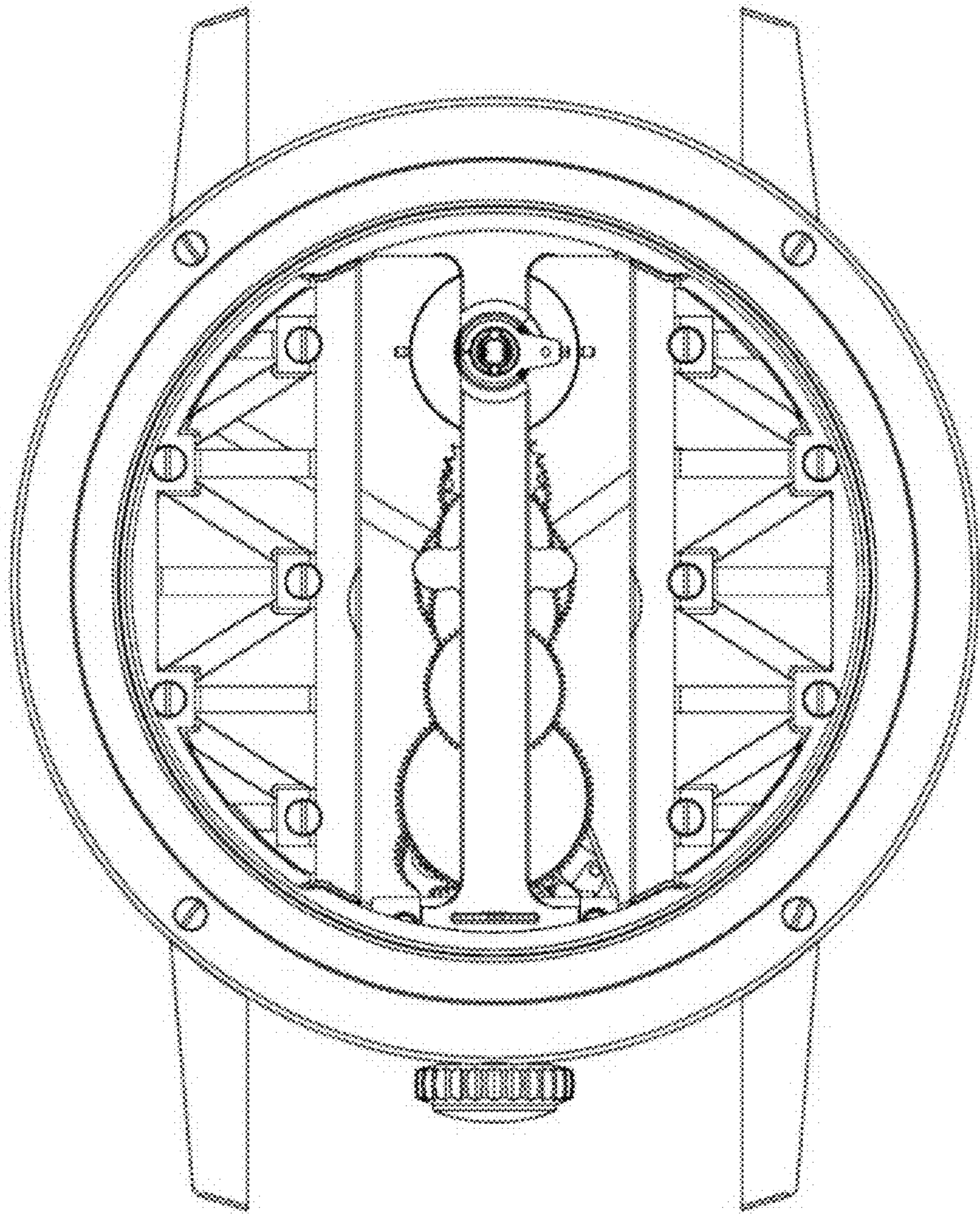
1.4



1.5



1.6



1.7

