



US00D797576S

(12) **United States Design Patent**
Monachon

(10) **Patent No.:** **US D797,576 S**

(45) **Date of Patent:** **** Sep. 19, 2017**

- (54) **WATCHCASE**
- (71) Applicant: **OMEGA LTD.**, Biel/Bienne (CH)
- (72) Inventor: **Jean-Claude Monachon**, Bevaix (CH)
- (73) Assignee: **OMEGA LTD.**, Biel/Bienne (CH)
- (**) Term: **15 Years**
- (21) Appl. No.: **29/538,865**
- (22) Filed: **Sep. 9, 2015**

8,052,323	B2 *	11/2011	Takeda	G04B 19/286	368/286
D649,889	S *	12/2011	Giannini	D10/32	
D656,416	S *	3/2012	Monachon	D10/39	
D656,417	S *	3/2012	Monachon	D10/39	
D667,315	S *	9/2012	Nakamura	D10/32	
D668,968	S *	10/2012	Duport	D10/32	
D702,136	S *	4/2014	Monachon	D10/39	
D708,965	S *	7/2014	Monachon	D10/39	
D709,389	S *	7/2014	Monachon	D10/39	
D720,239	S *	12/2014	Mijatovic	D10/32	
D730,201	S *	5/2015	Giannini	D10/39	
D735,060	S *	7/2015	Monachon	D10/32	
D748,501	S *	2/2016	Cerrato	D10/30	
D774,926	S *	12/2016	Butler	D10/38	
2011/0182153	A1 *	7/2011	Oostwegel	G04B 37/052	368/276
2013/0201804	A1 *	8/2013	Bertrand	G04B 19/283	368/281

(30) **Foreign Application Priority Data**

Mar. 10, 2015 (WO) DM/085 819

- (51) **LOC (10) Cl.** **10-02**
- (52) **U.S. Cl.**
USPC **D10/30**
- (58) **Field of Classification Search**
USPC D10/1, 17, 22, 30-39, 122-132
CPC G04B 45/0069; G04B 45/0076; G04B
47/04; G04B 47/042; G04B 37/0008;
G04B 19/06; G04F 7/08
See application file for complete search history.

* cited by examiner

Primary Examiner — Sandra Snapp
Assistant Examiner — Katherine Glennon
(74) *Attorney, Agent, or Firm* — Donald J. Ranft; Collen IP

(57) **CLAIM**

The ornamental design for a watchcase, as shown.

(56) **References Cited**

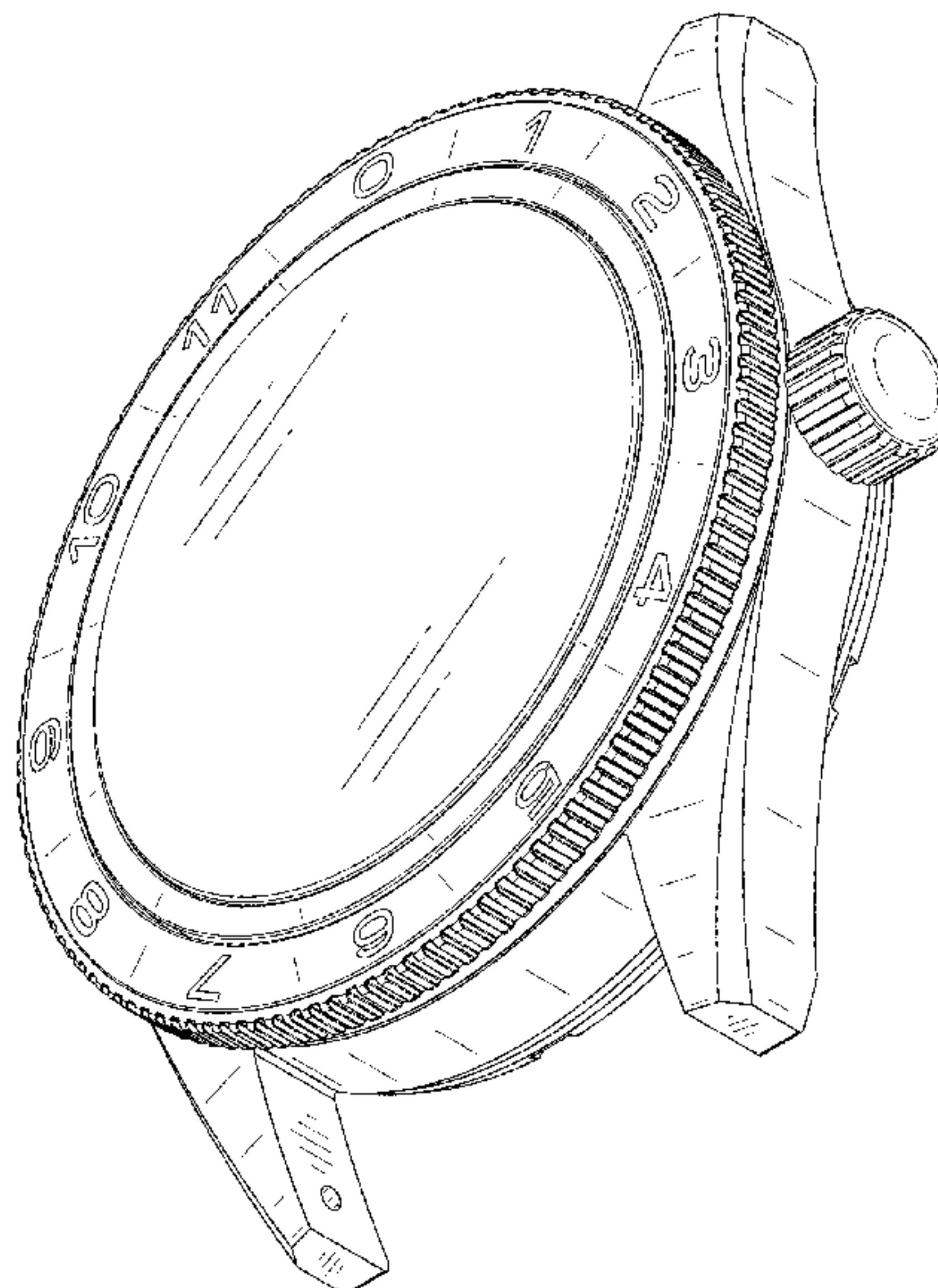
U.S. PATENT DOCUMENTS

D321,144	S *	10/1991	Besson	D10/39	
D336,440	S *	6/1993	Favre	D10/30	
D380,969	S *	7/1997	Houlihan	D10/30	
D459,236	S *	6/2002	Haquet	D10/30	
6,871,997	B2 *	3/2005	Hartmann	G04B 19/283	368/281
D525,537	S *	7/2006	Monachon	D10/32	
D538,184	S *	3/2007	Scheufele	D10/39	
D543,886	S *	6/2007	Pandel	D10/128	
D576,907	S *	9/2008	Calvani	D10/128	
D618,118	S *	6/2010	Dolce	D10/38	
D640,146	S *	6/2011	Tedeschi	D10/39	

DESCRIPTION

FIG. 1 is a front right perspective view of a watchcase showing my new design;
FIG. 2 is a rear right perspective view thereof;
FIG. 3 is a front view thereof;
FIG. 4 is a rear view thereof;
FIG. 5 is a right side view thereof;
FIG. 6 is a left side view thereof;
FIG. 7 is a bottom view thereof; and,
FIG. 8 is a top view thereof.

1 Claim, 6 Drawing Sheets



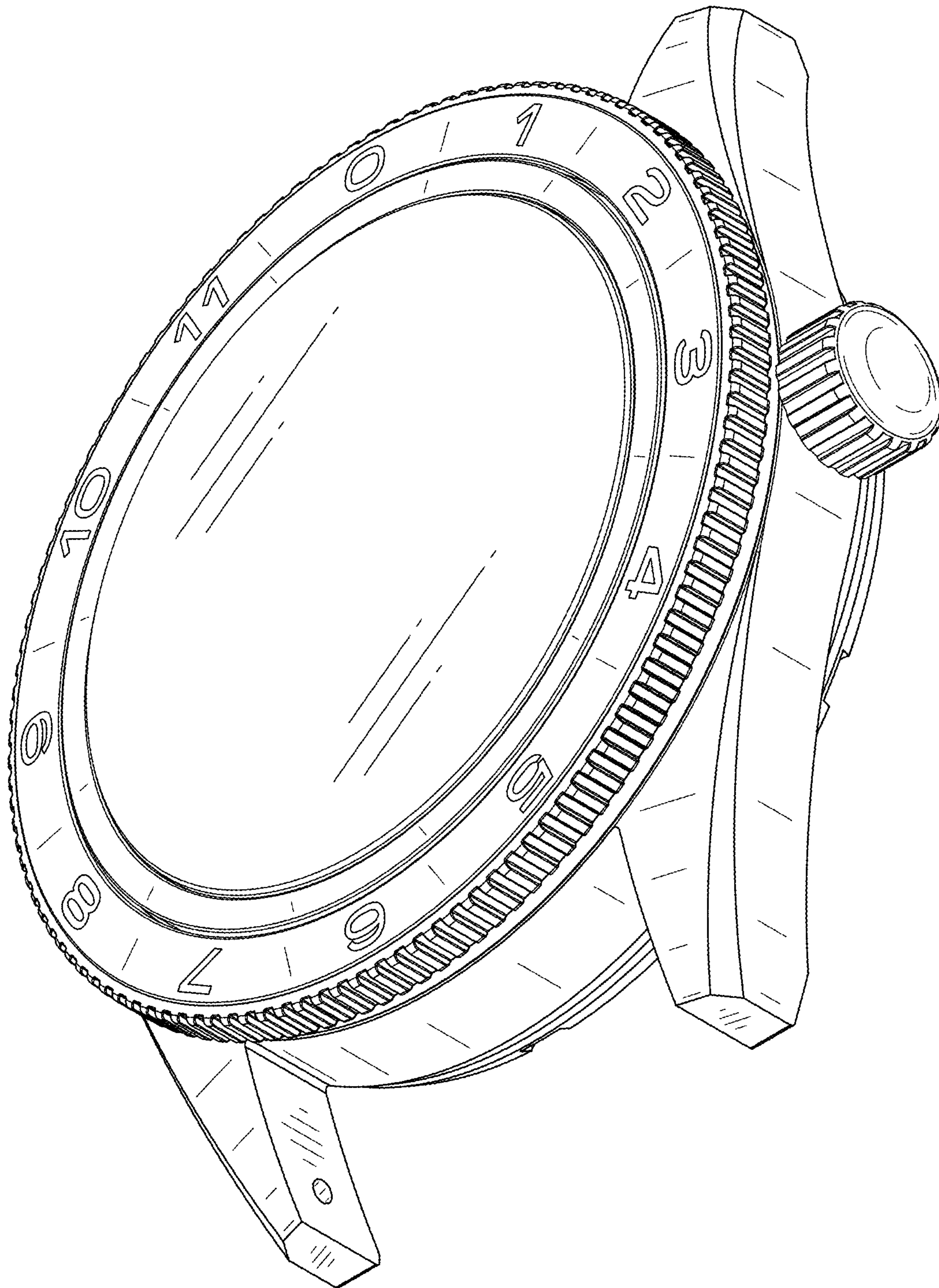


FIG. 1

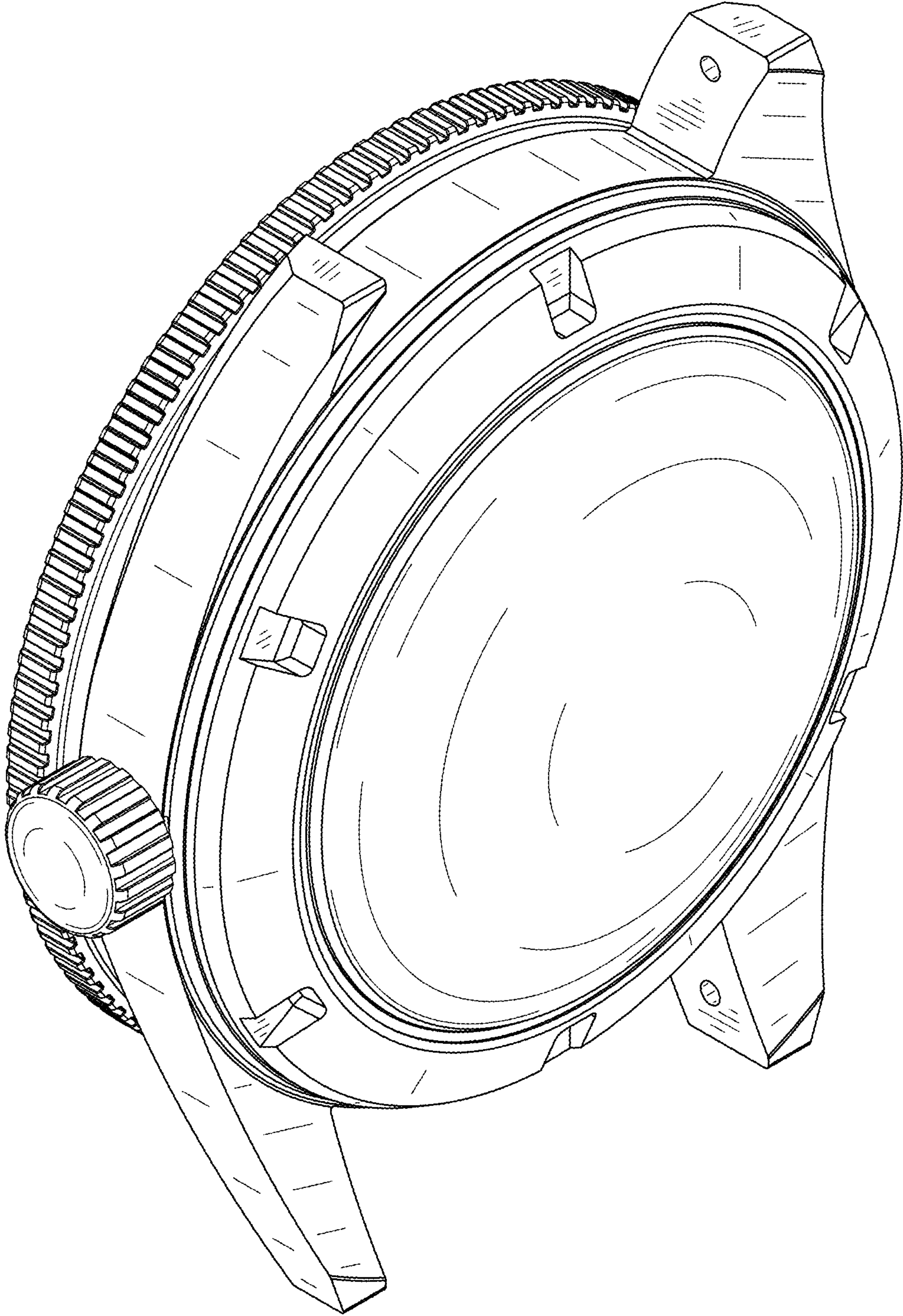


FIG. 2

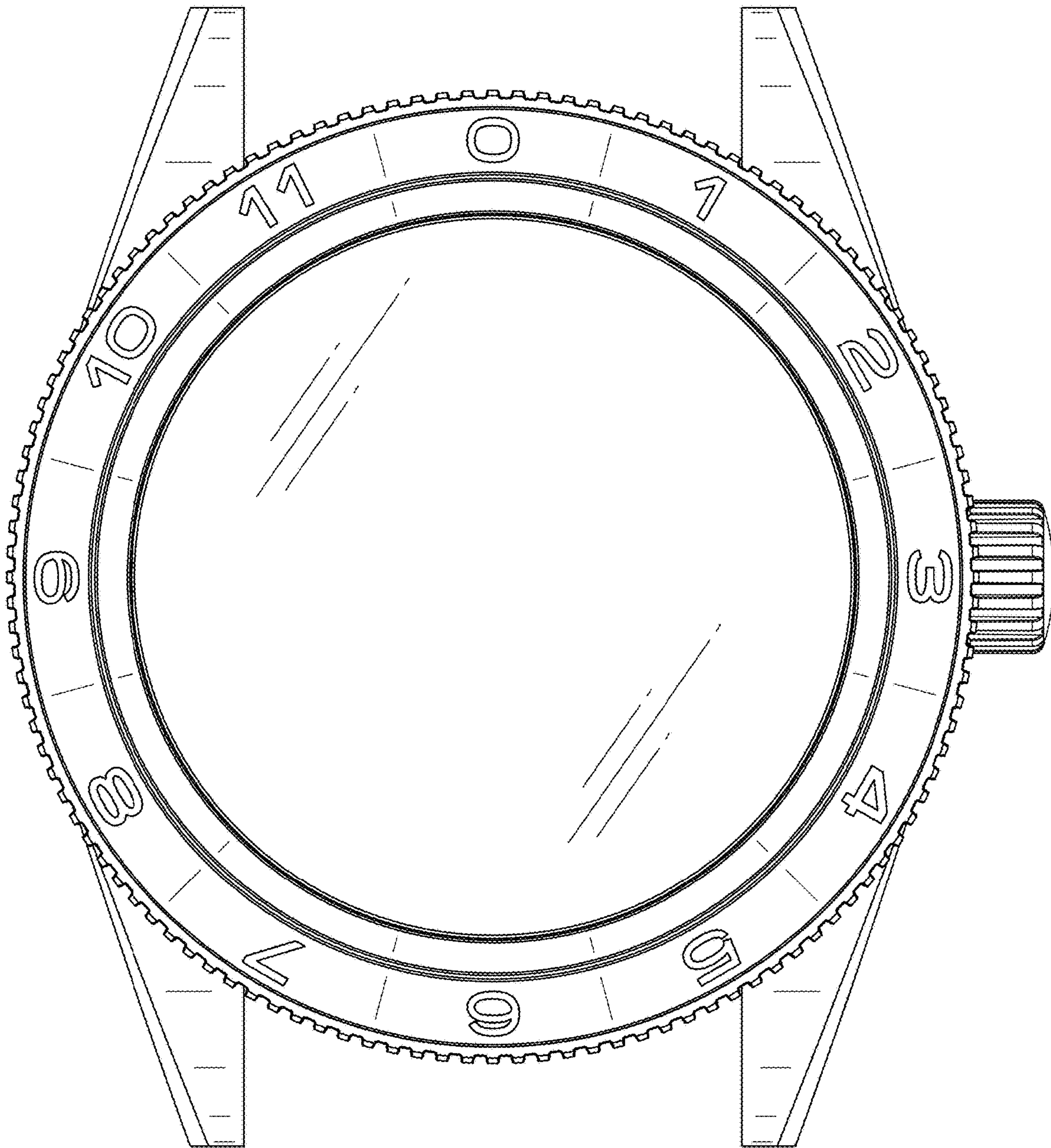


FIG. 3

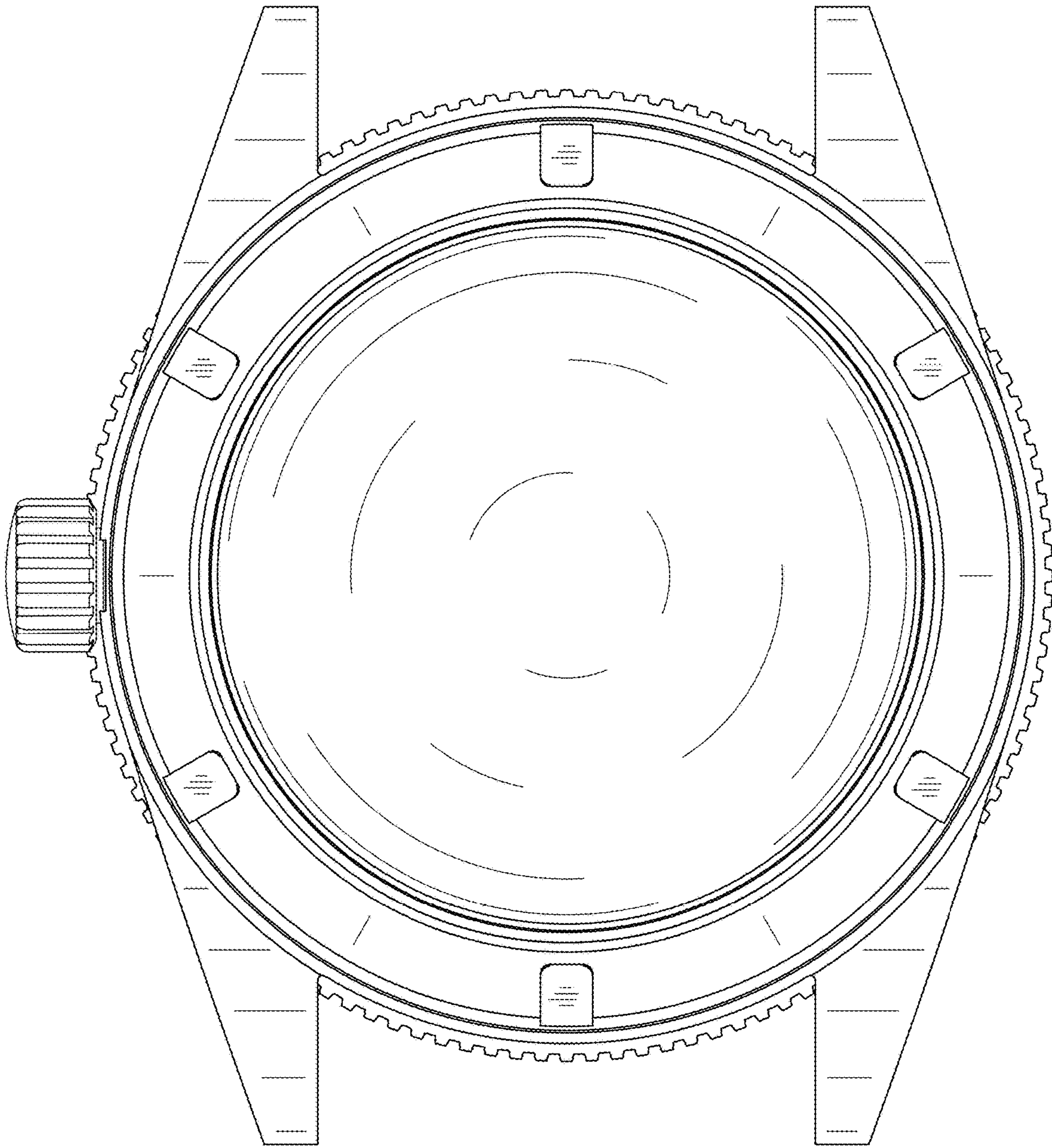


FIG. 4

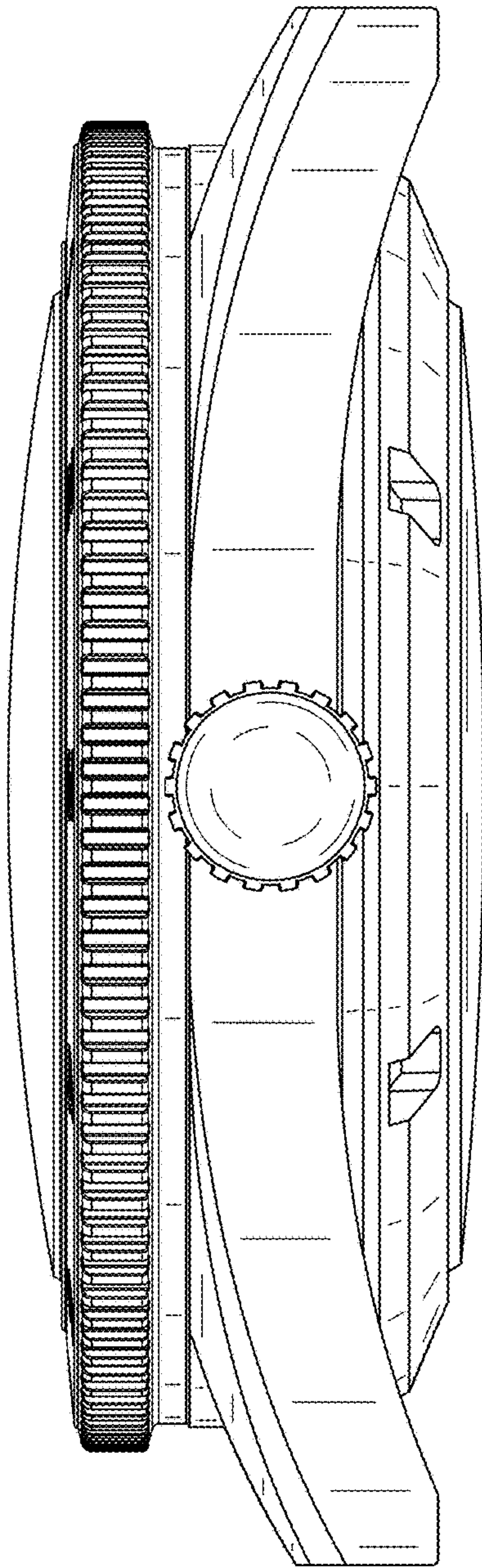


FIG. 5

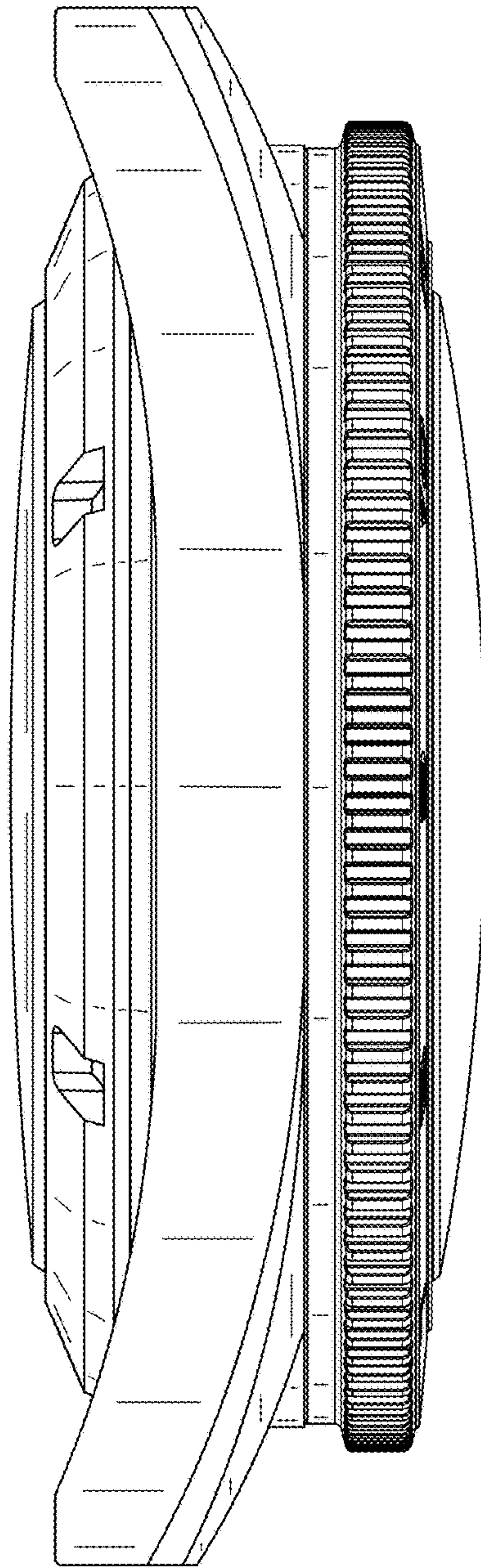


FIG. 6

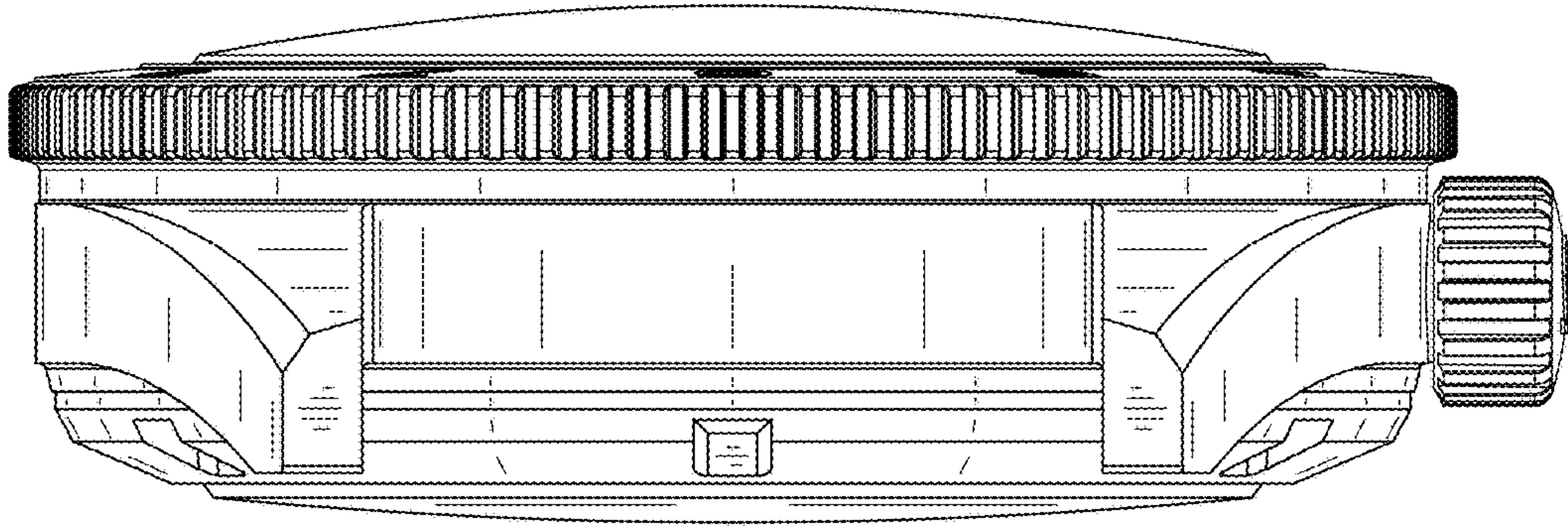


FIG. 7

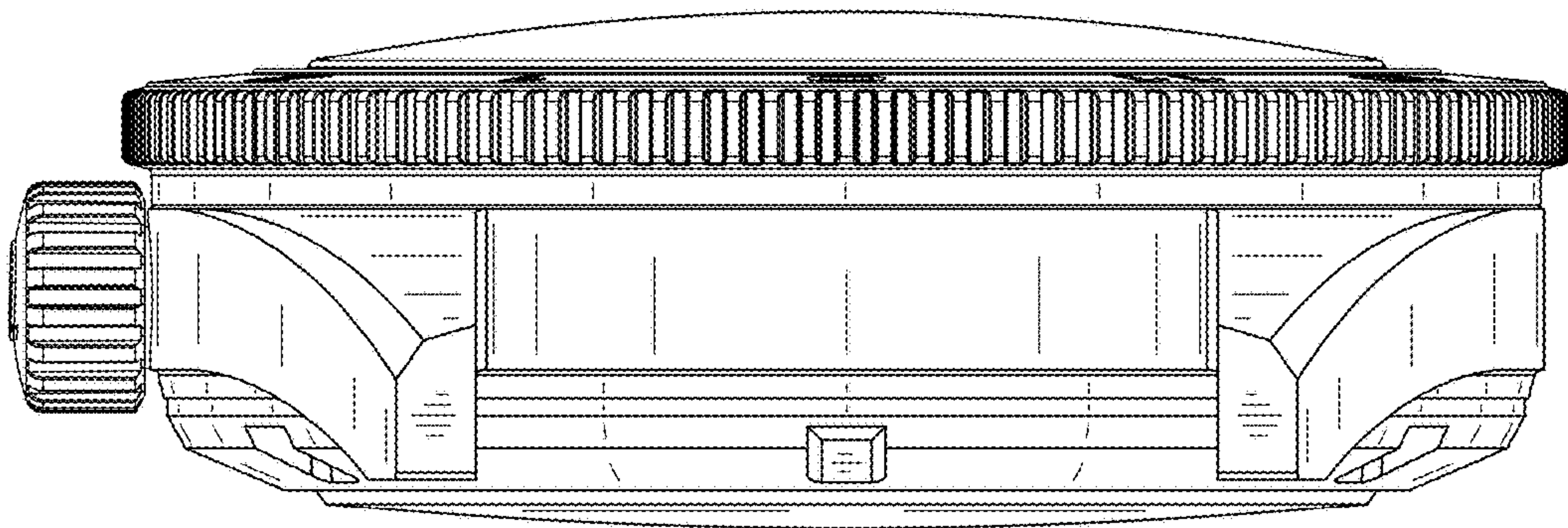


FIG. 8