



US00D797575S

(12) **United States Design Patent** (10) **Patent No.:** **US D797,575 S**
Lai et al. (45) **Date of Patent:** **** Sep. 19, 2017**

(54) **CLOCK**
(71) Applicant: **Kid Hippo, LLC**, Redwood City, CA (US)
(72) Inventors: **Stephanie Lai**, Redwood City, CA (US); **Dennis Liu**, Redwood City, CA (US); **Eran Weinberg**, Los Angeles, CA (US)
(73) Assignee: **KID HIPPO, LLC**, Redwood City, CA (US)
(**) Term: **15 Years**
(21) Appl. No.: **29/591,399**
(22) Filed: **Jan. 19, 2017**
(51) **LOC (10) Cl.** **10-01**
(52) **U.S. Cl.**
USPC **D10/22**
(58) **Field of Classification Search**
USPC D10/1-42, 122, 126, 128, 131, 133;
D14/344, 138 R, 170, 171; 368/294
CPC G04B 19/00; G04B 19/06; G04B 39/00;
G04B 39/002; G04B 39/004; G04B
39/006; G04F 7/06; A01G 25/165; B05B
12/02
See application file for complete search history.

(56) **References Cited**
U.S. PATENT DOCUMENTS
D50,730 S * 5/1917 Hoche D10/2
D55,019 S * 5/1920 Bennett D10/22
D97,453 S * 11/1935 Bars D10/1
D98,769 S * 3/1936 Horwitt D10/15
D153,420 S * 4/1949 Dekanski D10/15
D190,749 S * 6/1961 Marti et al. D10/1
D233,026 S * 10/1974 Blessing D10/23
D276,703 S 12/1984 Au

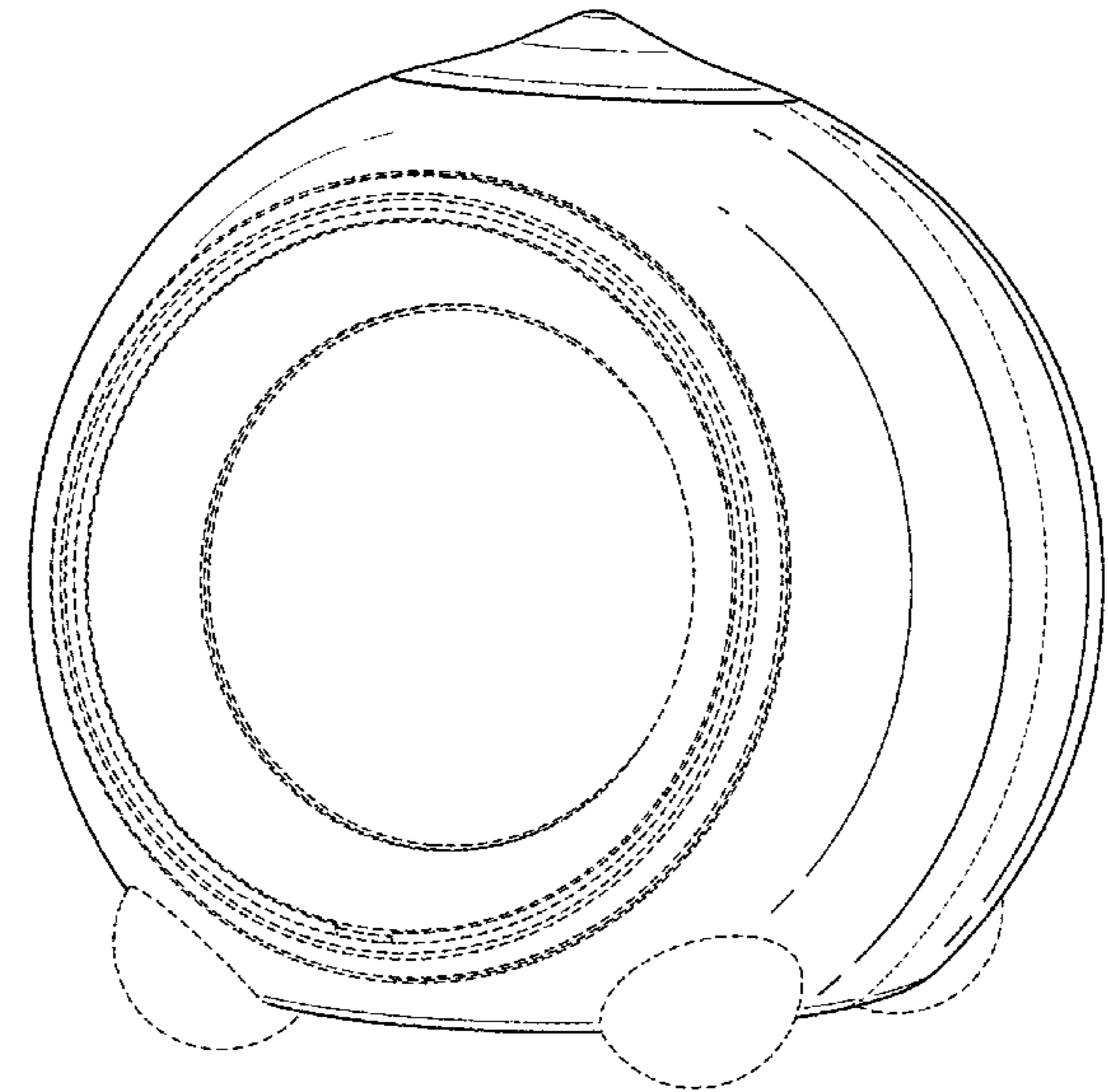
D288,219 S 2/1987 Bedell
D312,408 S * 11/1990 Isobe D10/15
D315,735 S 3/1991 Chu
D356,955 S 4/1995 Ping
D359,693 S 6/1995 Chung
D384,587 S * 10/1997 Ohren D10/2
D392,901 S * 3/1998 Mok D10/22
D395,833 S * 7/1998 Richter D10/68
D406,774 S 3/1999 Sinisi
D415,159 S 10/1999 Nakano
D426,858 S 6/2000 Straus
D436,106 S 1/2001 Mohamed
D437,236 S 2/2001 Hargrove, III
D440,557 S 4/2001 Su
D450,049 S 11/2001 Lacotta
D460,362 S * 7/2002 Kalman D10/1
D460,920 S * 7/2002 Kalman D10/22
D465,470 S 11/2002 Ng
D466,101 S 11/2002 Hu
D466,822 S 12/2002 Li
D467,185 S * 12/2002 Chen D10/15
(Continued)

Primary Examiner — Sandra Snapp
(74) Attorney, Agent, or Firm — Myers Wolin, LLC

(57) **CLAIM**
The ornamental design for a clock, as shown and described.

DESCRIPTION
FIG. 1 is a front top perspective view of a clock showing our new design;
FIG. 2 is a bottom rear perspective view thereof;
FIG. 3 is a front elevation view thereof;
FIG. 4 is a rear elevation view thereof;
FIG. 5 is a left side elevation view thereof;
FIG. 6 is a right side elevation view thereof;
FIG. 7 is a top plan view thereof; and,
FIG. 8 is a bottom view thereof.
The broken lines showing parts of the clock are for illustrative purposes only and form no part of the claimed design.

1 Claim, 8 Drawing Sheets



(56)

References Cited

U.S. PATENT DOCUMENTS

D467,574 S	12/2002	Suzuki	
D475,693 S	6/2003	Matsuoka	
D478,562 S	8/2003	Hu	
D478,890 S *	8/2003	Ng	D14/170
D482,017 S	11/2003	Ducreux	
D485,251 S	1/2004	Lee	
D490,427 S	5/2004	Chiu	
D490,798 S	6/2004	Esslinger	
D491,073 S	6/2004	Chan	
D491,913 S	6/2004	Chan	
D498,147 S	11/2004	Hampf	
D500,296 S	12/2004	Zeitman	
D500,449 S	1/2005	Olszowy	
D500,998 S	1/2005	Inoue	
D501,460 S	2/2005	Inoue	
D502,935 S	3/2005	Esslinger	
D510,926 S	10/2005	Jerome	
D514,548 S	2/2006	Chan	
D519,976 S	5/2006	Lee	
7,048,433 B1 *	5/2006	Bhavnani	G04B 37/127 368/225
D525,880 S	8/2006	Okamura	
D531,061 S *	10/2006	Oas	D10/15
7,149,152 B1 *	12/2006	Chan	G03B 29/00 368/10
D537,436 S	2/2007	Lye	
D540,291 S	4/2007	Heath	
D545,296 S	6/2007	Yang	
D557,258 S	12/2007	Steindl	
D567,673 S *	4/2008	Chu	D10/15
D576,636 S	9/2008	Wong	
D579,428 S	10/2008	Lee	
D584,898 S	1/2009	Chang	
D588,022 S	3/2009	Hocherman	
D596,506 S	7/2009	Fernie	
D597,532 S	8/2009	Wang	
D599,563 S	9/2009	Chu	
D599,820 S	9/2009	Su	
D600,569 S	9/2009	Sadler	
D602,380 S	10/2009	Fernie	
D615,878 S *	5/2010	Berliat	D10/22
D616,415 S	5/2010	Lum	
D616,861 S *	6/2010	Lum	D14/188
D626,147 S	10/2010	Goddard	
D627,830 S	11/2010	Araki	
D640,142 S	6/2011	Bedol	
D642,157 S	7/2011	Holzer	
D645,846 S	9/2011	Mordechai	
D655,632 S	3/2012	van der Lande	
D671,822 S	12/2012	van der Lande	
D671,824 S	12/2012	van der Lande	
D671,825 S	12/2012	van der Lande	
D676,018 S	2/2013	Breines	
D676,423 S	2/2013	Joseph	
D692,854 S	11/2013	Stabile	
D696,967 S	1/2014	Mombauer	
D711,351 S	8/2014	Breines	
D726,157 S	4/2015	Chang	
D726,683 S	4/2015	Breines	
D743,941 S	11/2015	Patsis	
D756,326 S *	5/2016	Holzer	D14/171
D757,685 S	5/2016	Park	
D765,617 S	9/2016	Mackiewicz	

* cited by examiner

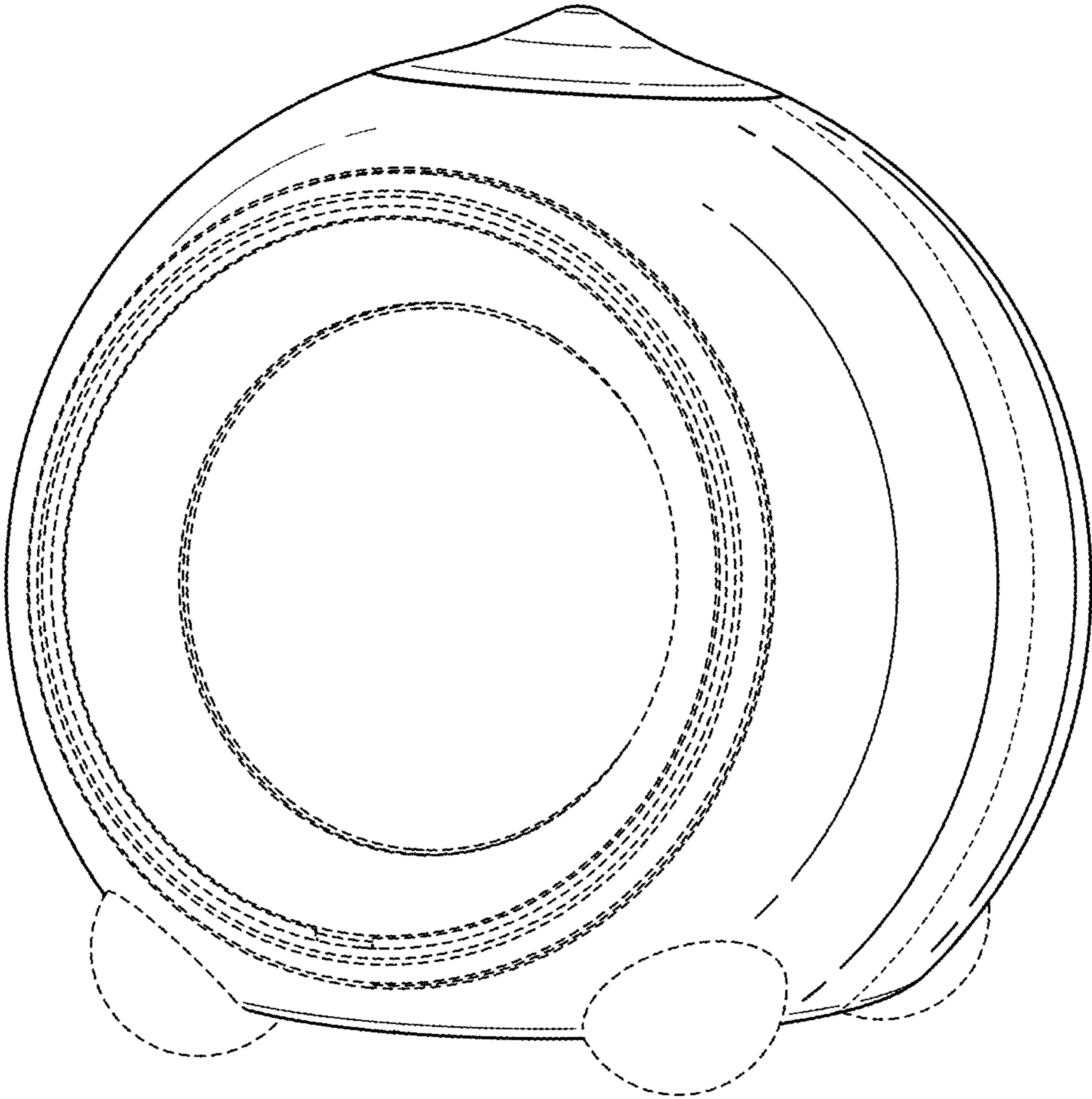


FIG. 1

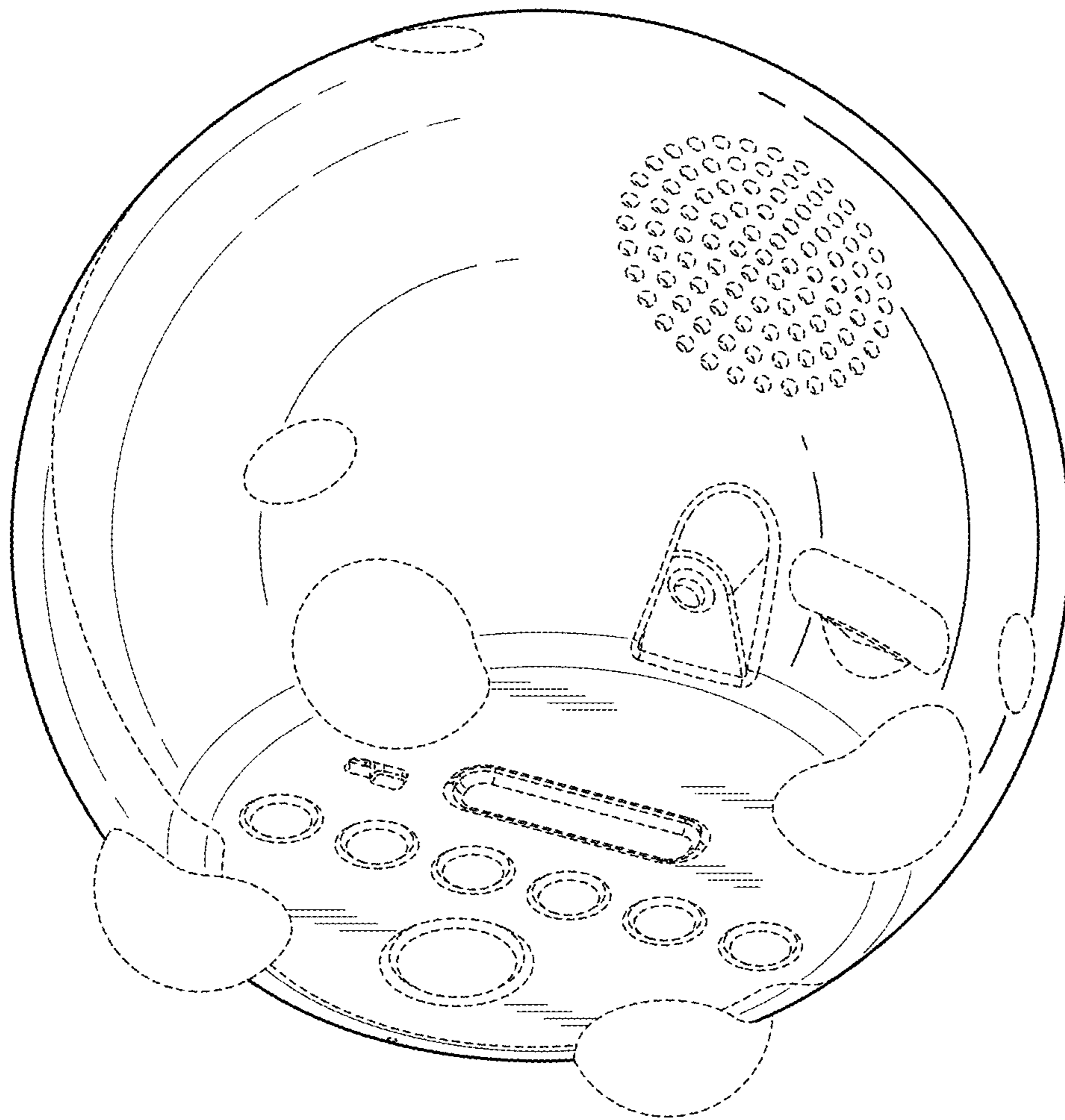


FIG. 2

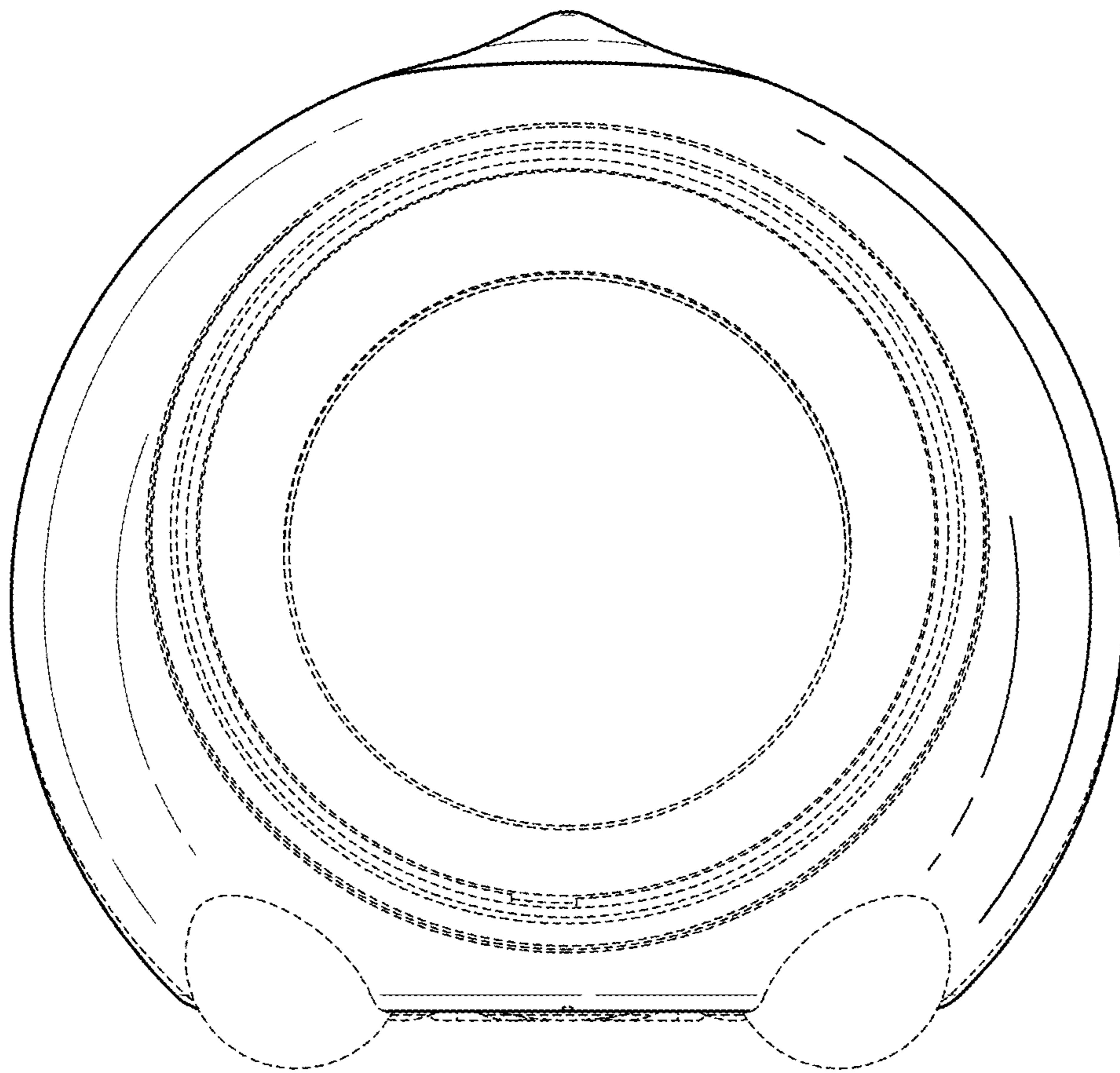


FIG. 3

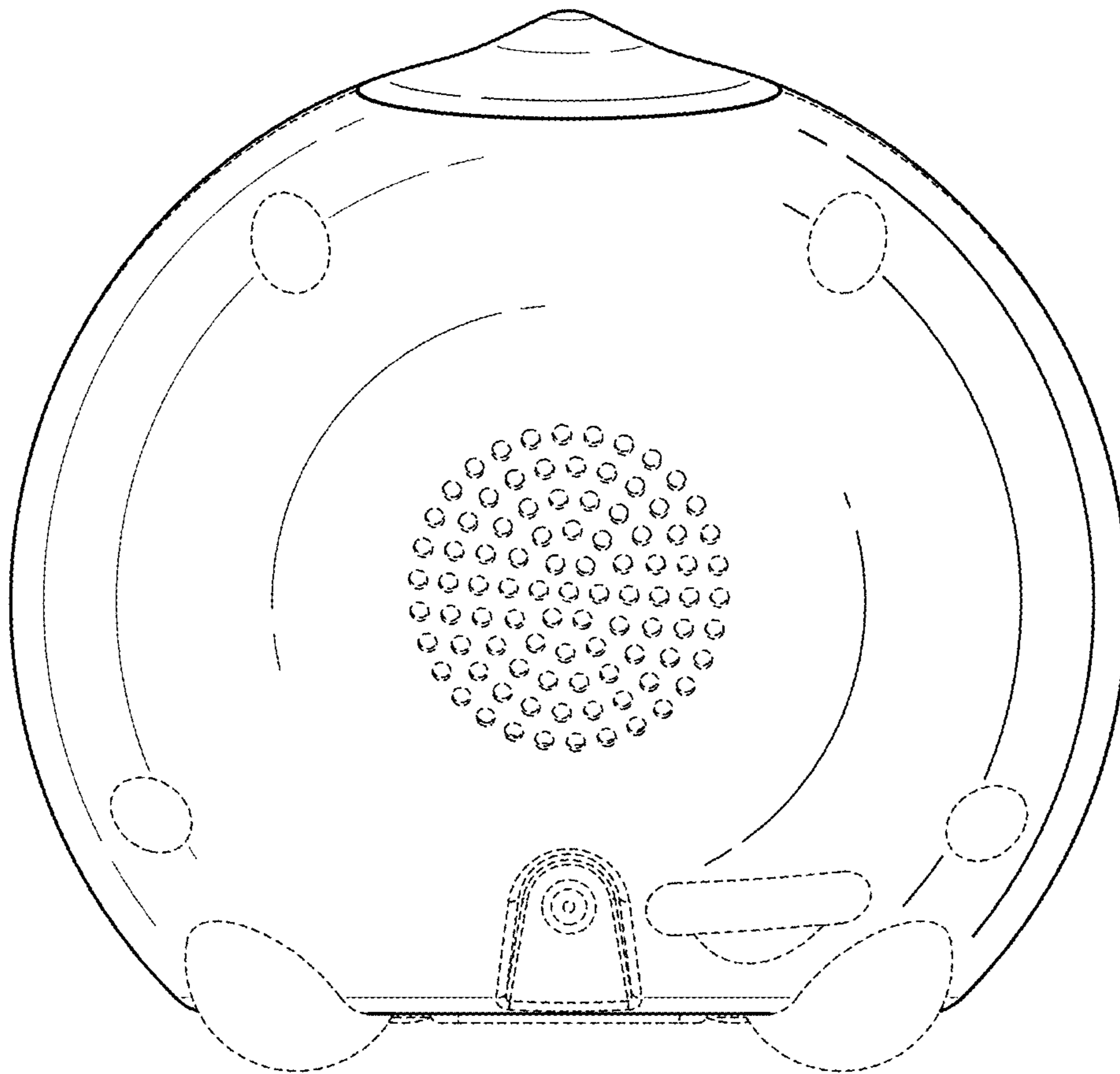


FIG. 4

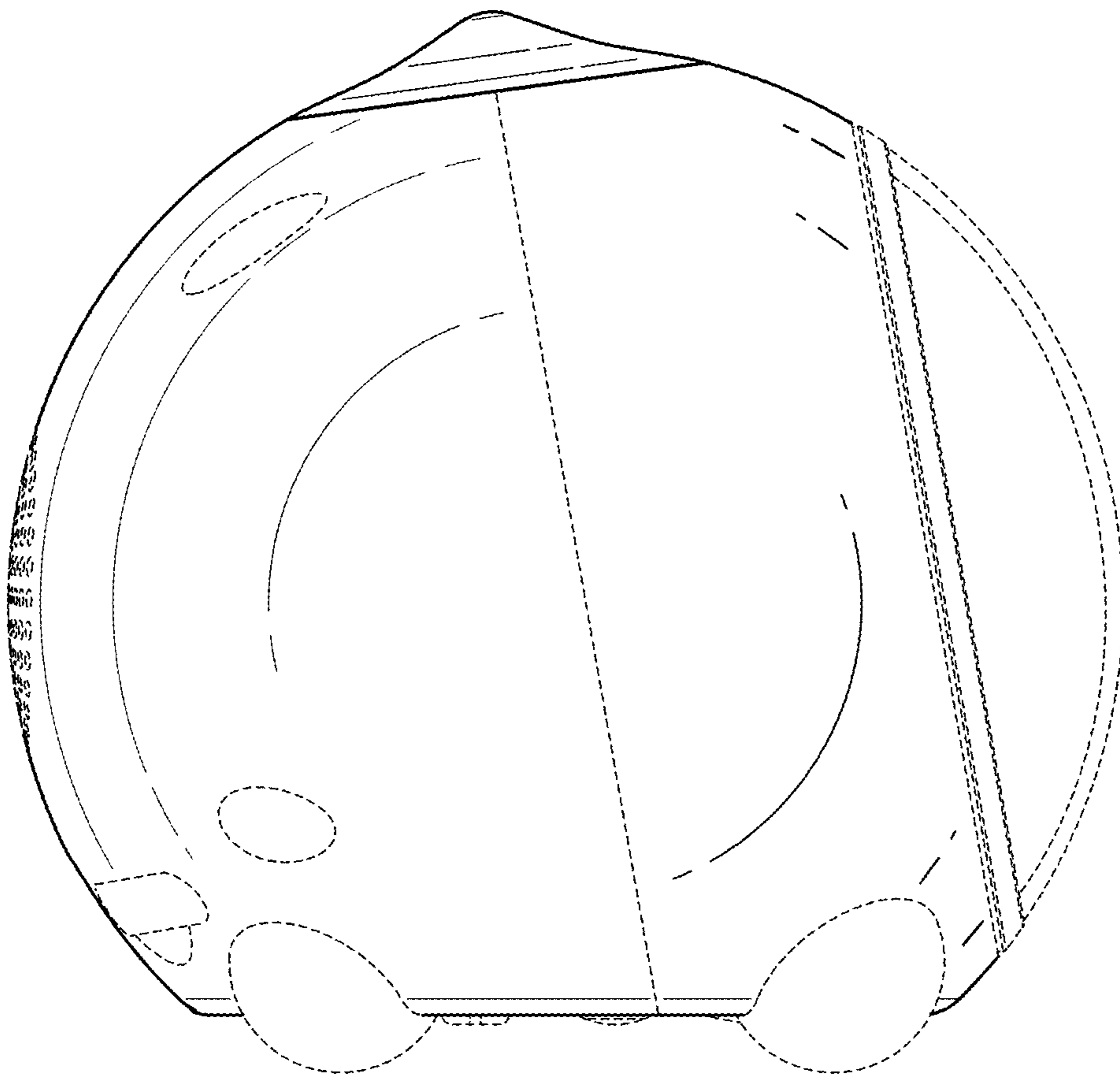


FIG. 5

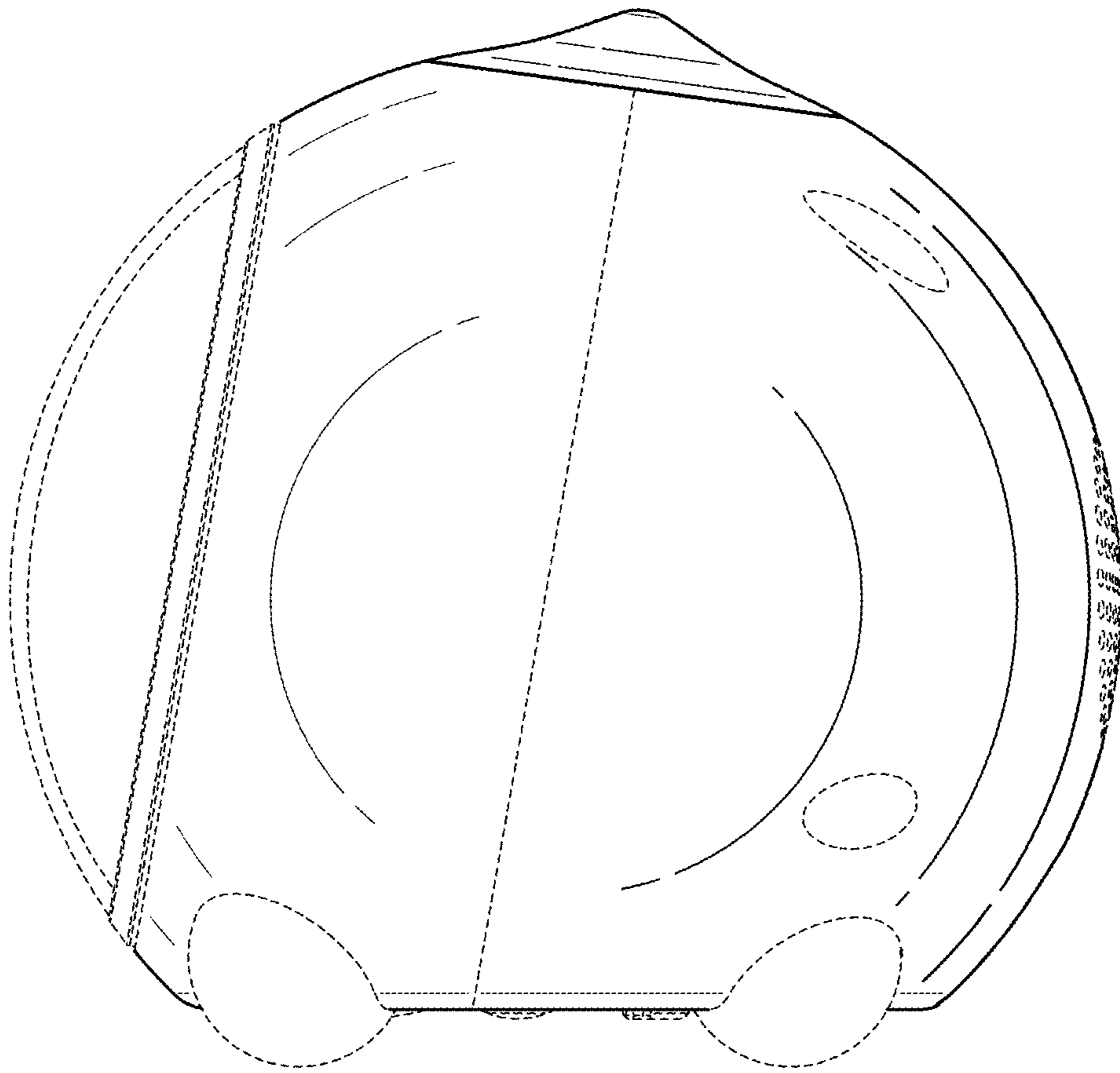


FIG. 6

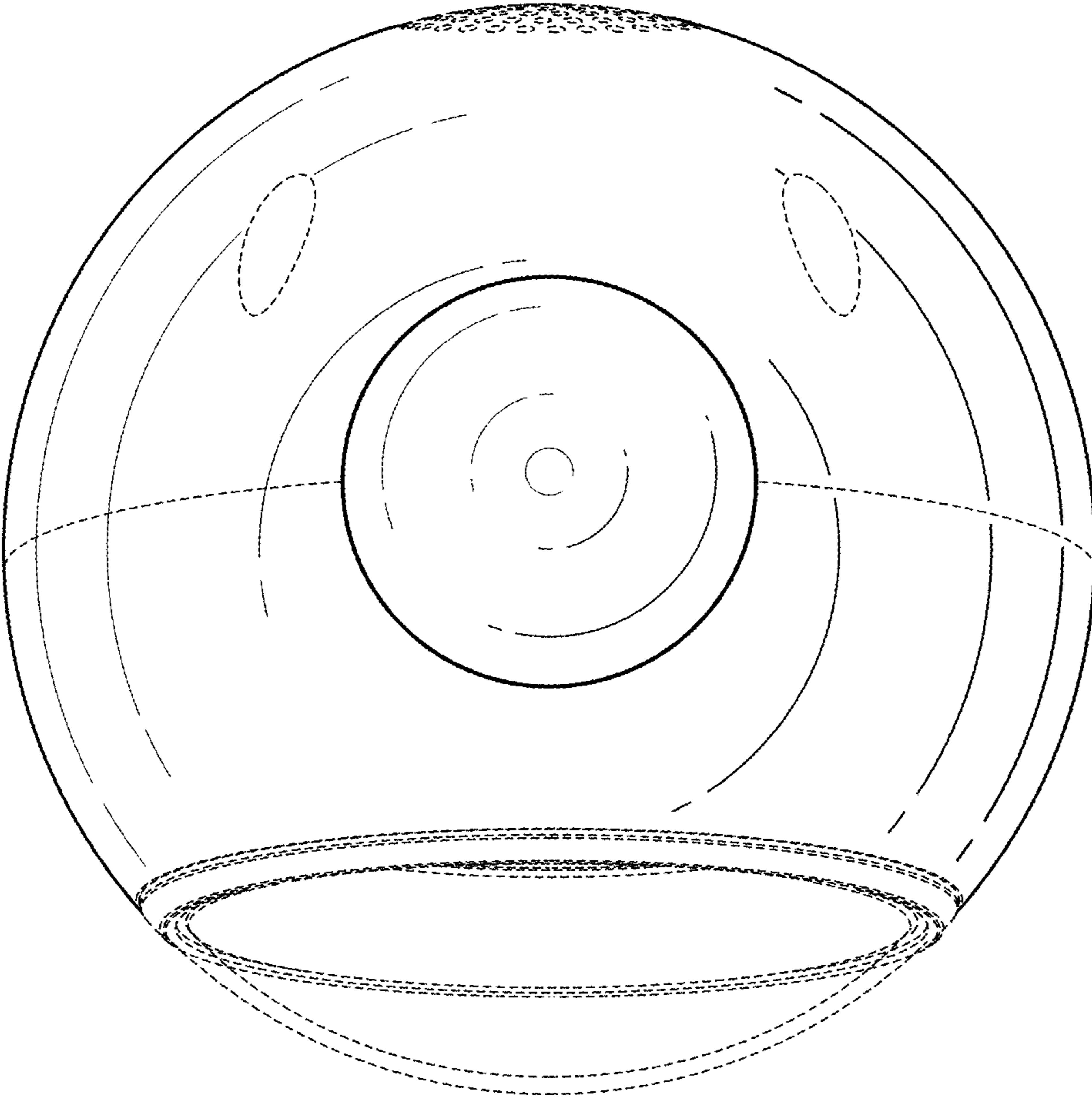


FIG. 7

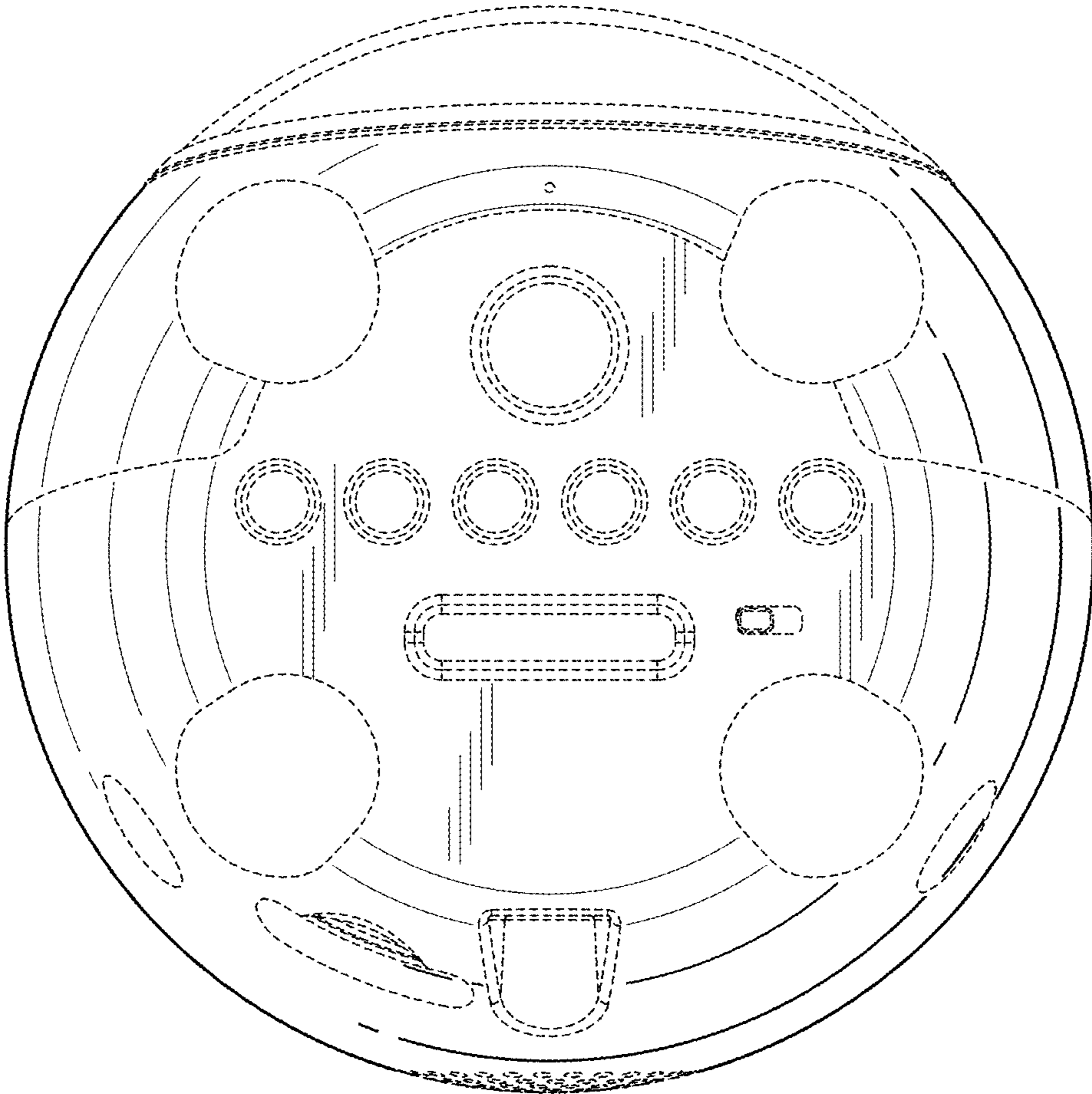


FIG. 8