



US00D797563S

(12) **United States Design Patent** (10) **Patent No.:** **US D797,563 S**
Romero Salido (45) **Date of Patent:** **** Sep. 19, 2017**

(54) **CLEANER BOTTLE**
(71) Applicant: **Quimica Goncal S.A. de C.V.**,
Monterrey, Nuevo Leon (MX)
(72) Inventor: **Francisco Romero Salido**, Nuevo Leon
(MX)
(73) Assignee: **QUIMICA GONCAL S.A. DE C.V.**,
Monterrey, Nuevo Leon (MX)

D632,182 S * 2/2011 Russell D9/560
D747,654 S * 1/2016 Westhofen D9/552
D753,504 S * 4/2016 Miller D9/516
D756,233 S * 5/2016 Romero Salido D9/520
9,422,076 B2 * 8/2016 Lane B65D 1/0284
2015/0298847 A1 * 10/2015 Derrien B65D 21/0231
215/40
2015/0314906 A1 * 11/2015 Kira B65D 1/02
206/524.6
2017/0021956 A1 * 1/2017 Ring B65D 1/0207

(**) Term: **15 Years**
(21) Appl. No.: **29/551,252**
(22) Filed: **Jan. 12, 2016**
(51) **LOC (10) Cl.** **09-01**
(52) **U.S. Cl.**
USPC **D9/541; D9/551; D9/569; D9/570**
(58) **Field of Classification Search**
USPC D7/300-322, 396.2, 509-511, 523, 589,
D7/598, 612, 615, 619.1; D9/500-575;
215/40-55, 316-354, 370-385;
220/574-575
CPC . B05B 11/0089; B29D 23/20; B29L 2023/20;
B65D 1/00; B65D 1/02; B65D 1/0223;
B65D 1/023; B65D 1/0276; B65D
47/0857; B65D 81/3288; F04B 9/14
See application file for complete search history.

OTHER PUBLICATIONS

“Plastic bottle of vegetable cooking oil on white background.”
123rf.com. Date not available. Accessed Apr. 25, 2017. Available
online at URL: <https://www.123rf.com/photo_11131919_plastic-bottle-of-vegetable-cooking-oil-on-white-background.html>.*
“Vegetable Oil Clip Art.” clipartfest.com. Date not available.
Accessed Apr. 25, 2017. Available online at URL: <<https://clipartfest.com/download/f7176d019bf3894447a42df0b7389367437e458f.html>>.*

* cited by examiner

Primary Examiner — Cathron Brooks
Assistant Examiner — Christian P McLean
(74) *Attorney, Agent, or Firm* — Lucas & Mercanti, LLP

(57) **CLAIM**

The ornamental design for a cleaner bottle, as shown and described.

(56) **References Cited**

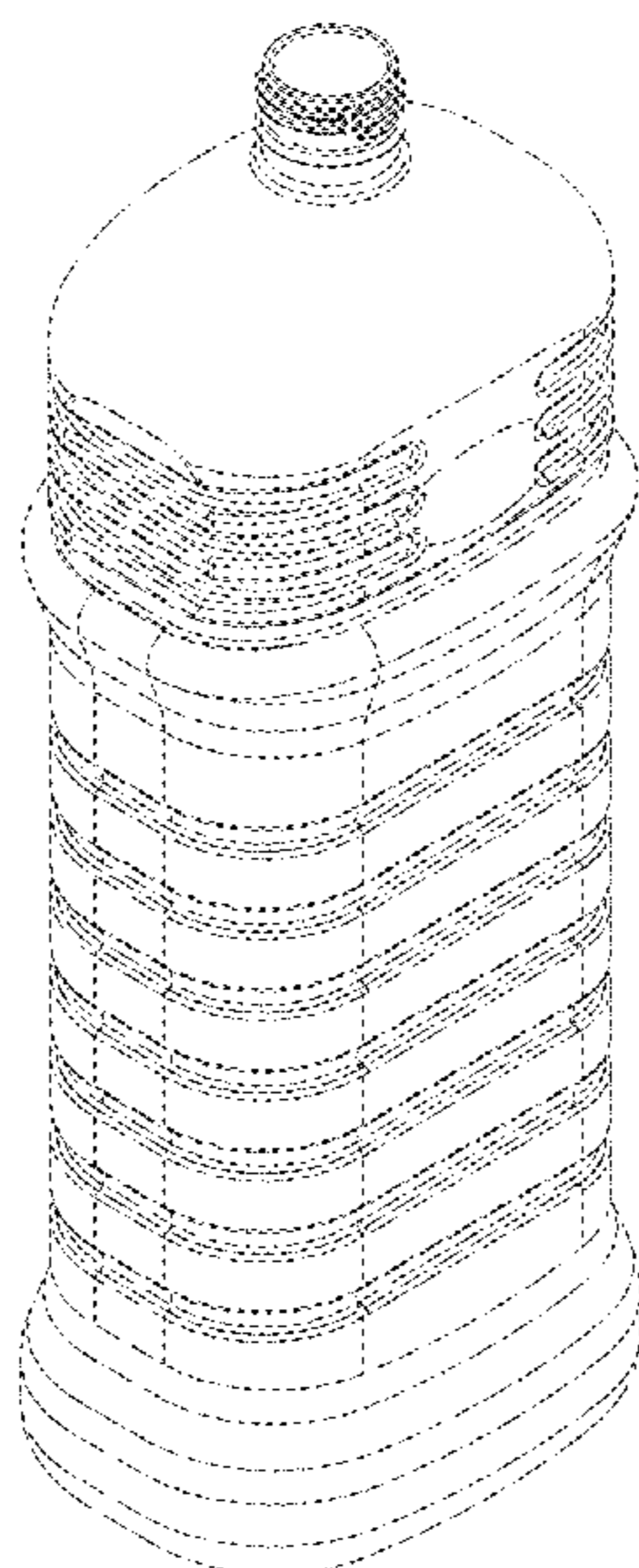
U.S. PATENT DOCUMENTS

3,225,950 A * 12/1965 Fulcher B65D 1/0223
215/384
D536,985 S * 2/2007 Forget D9/541
7,344,038 B2 * 3/2008 Elansary B65D 1/0223
215/12.1
D587,126 S * 2/2009 DeSico D9/541
D599,213 S * 9/2009 DeSico D9/565

DESCRIPTION

FIG. 1 is a perspective top view of a cleaner bottle;
FIG. 2 is a perspective bottom view thereof;
FIG. 3 is a front view thereof;
FIG. 4 is a side view thereof;
FIG. 5 is a top view thereof; and,
FIG. 6 is a bottom view thereof.

1 Claim, 5 Drawing Sheets



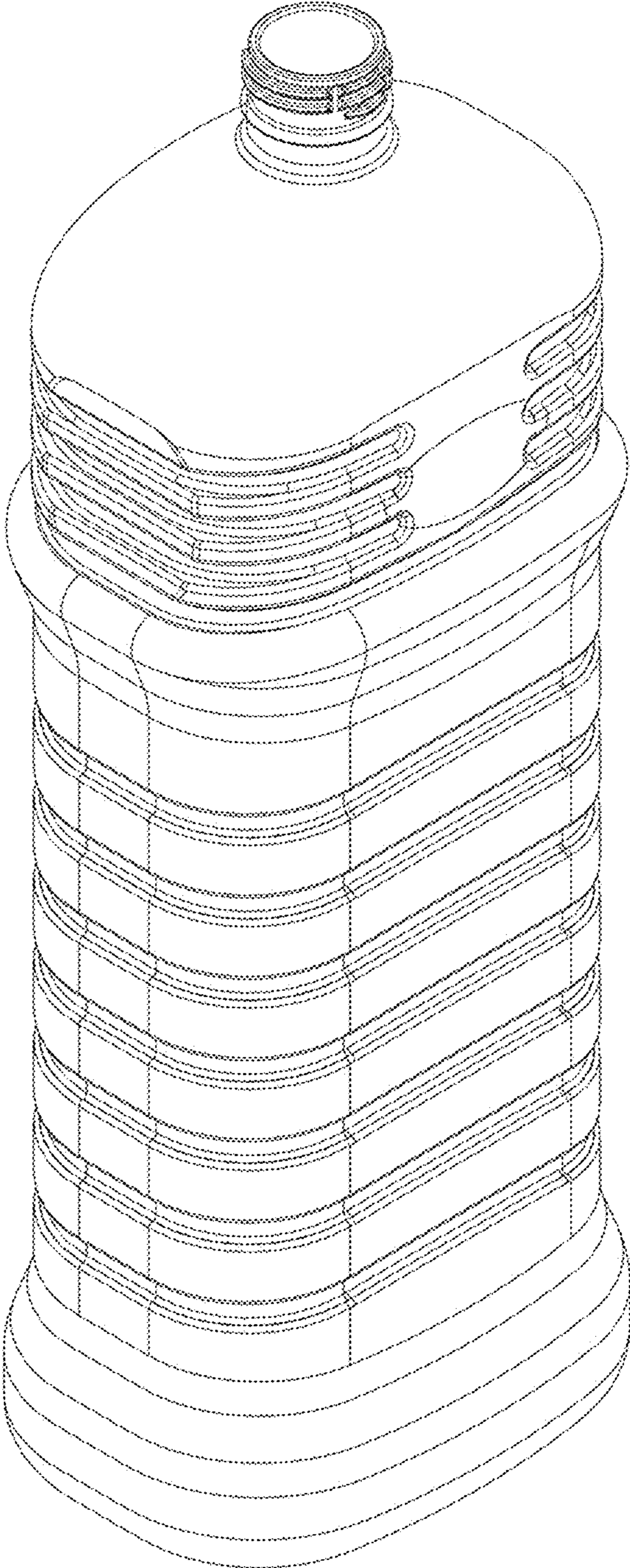


FIG. 1

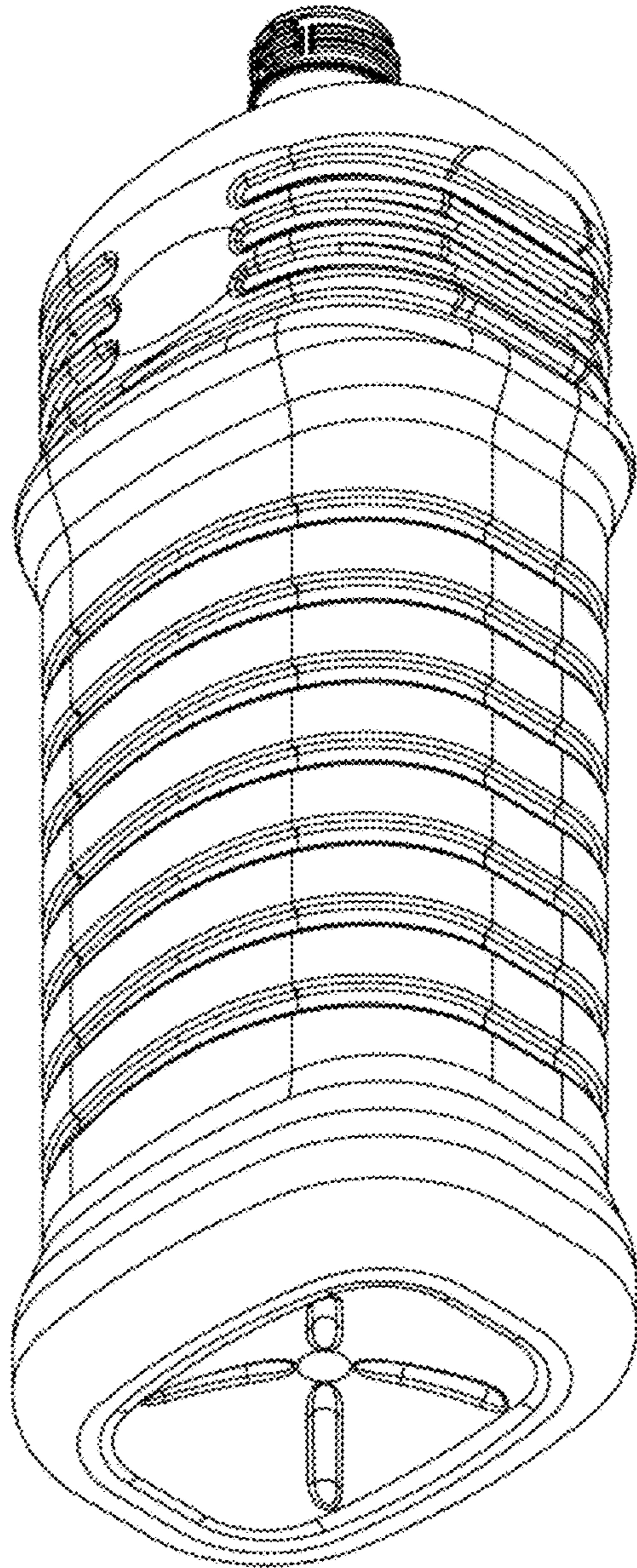


FIG. 2

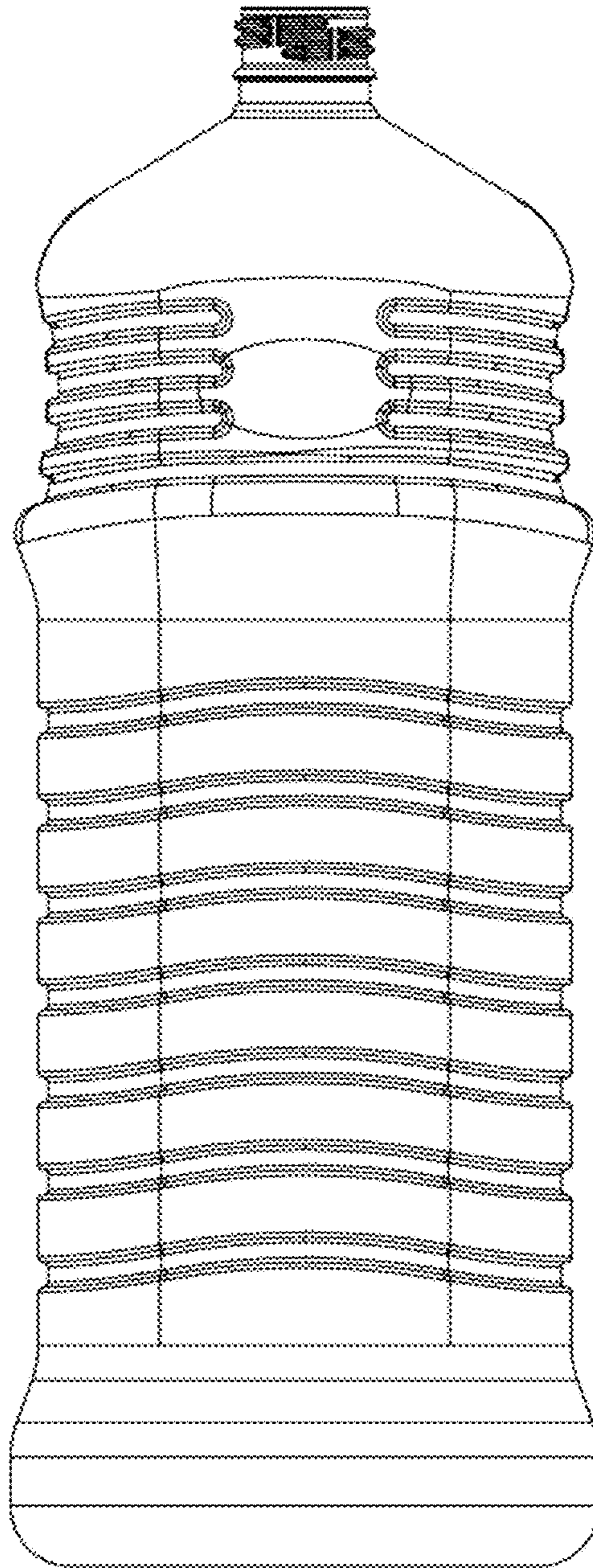


FIG. 3

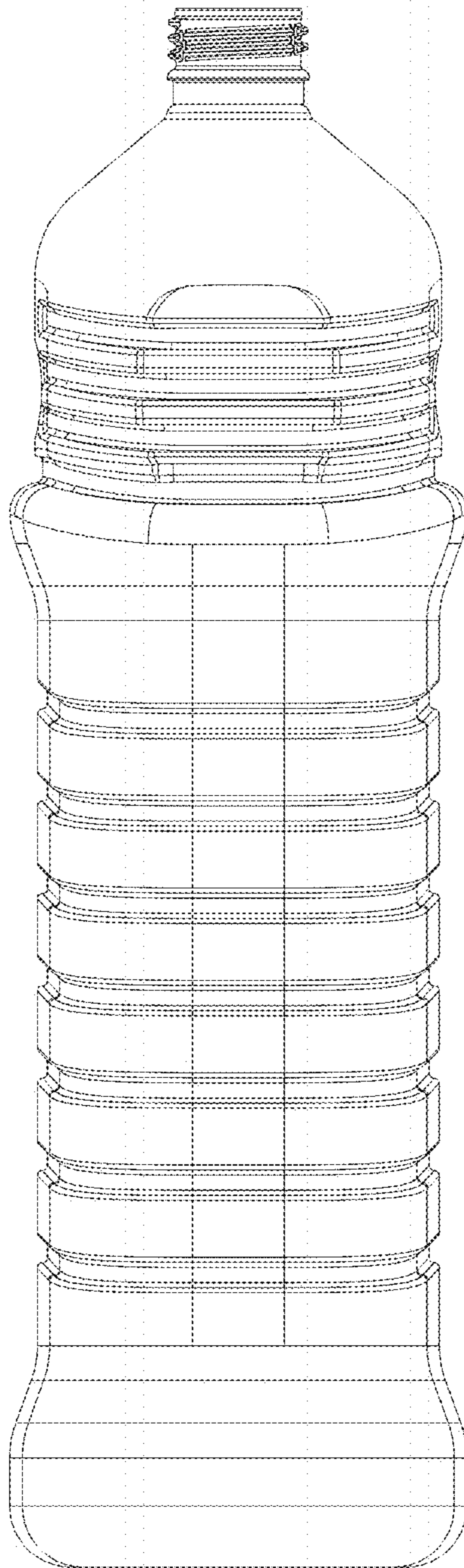


FIG. 4

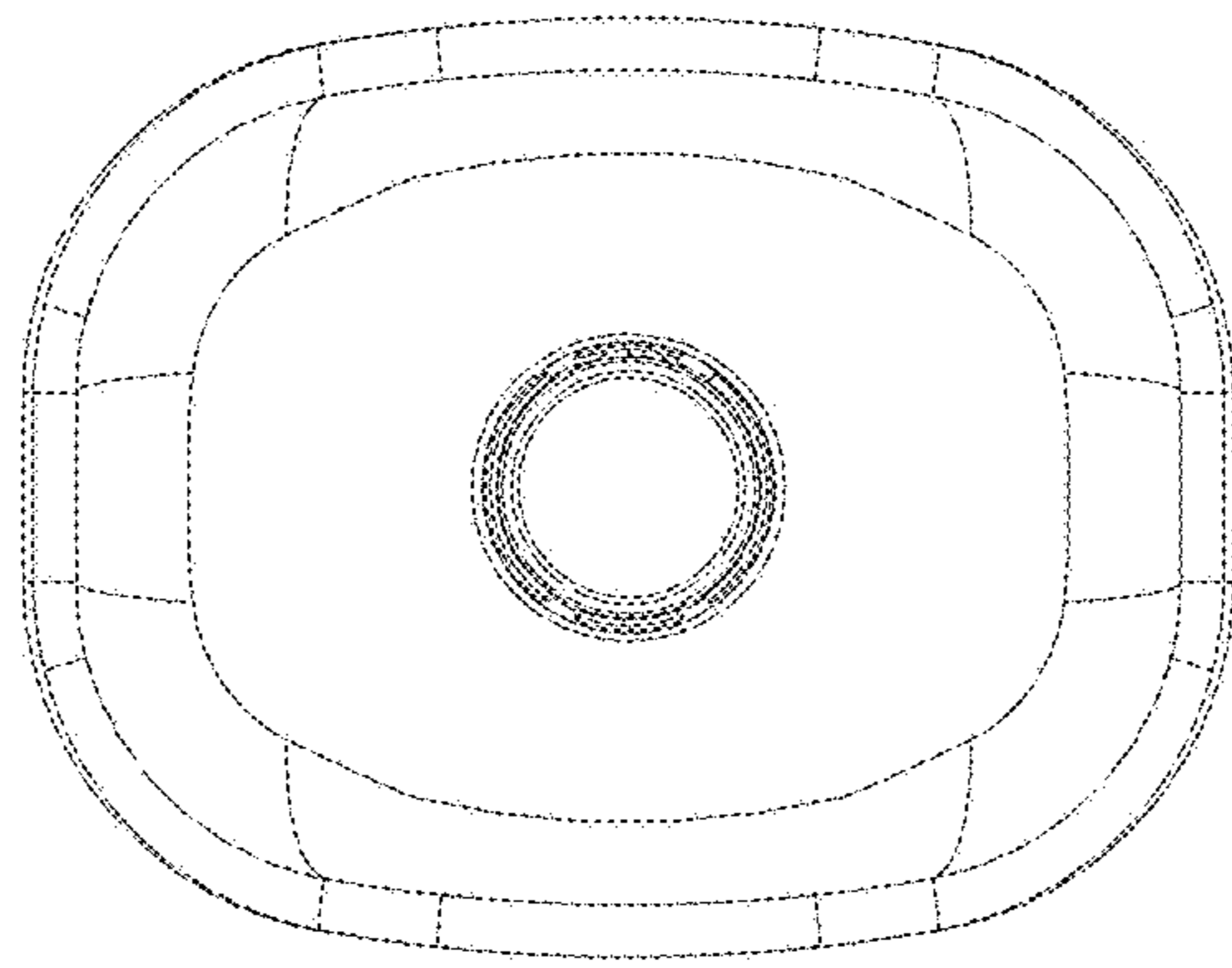


FIG. 5

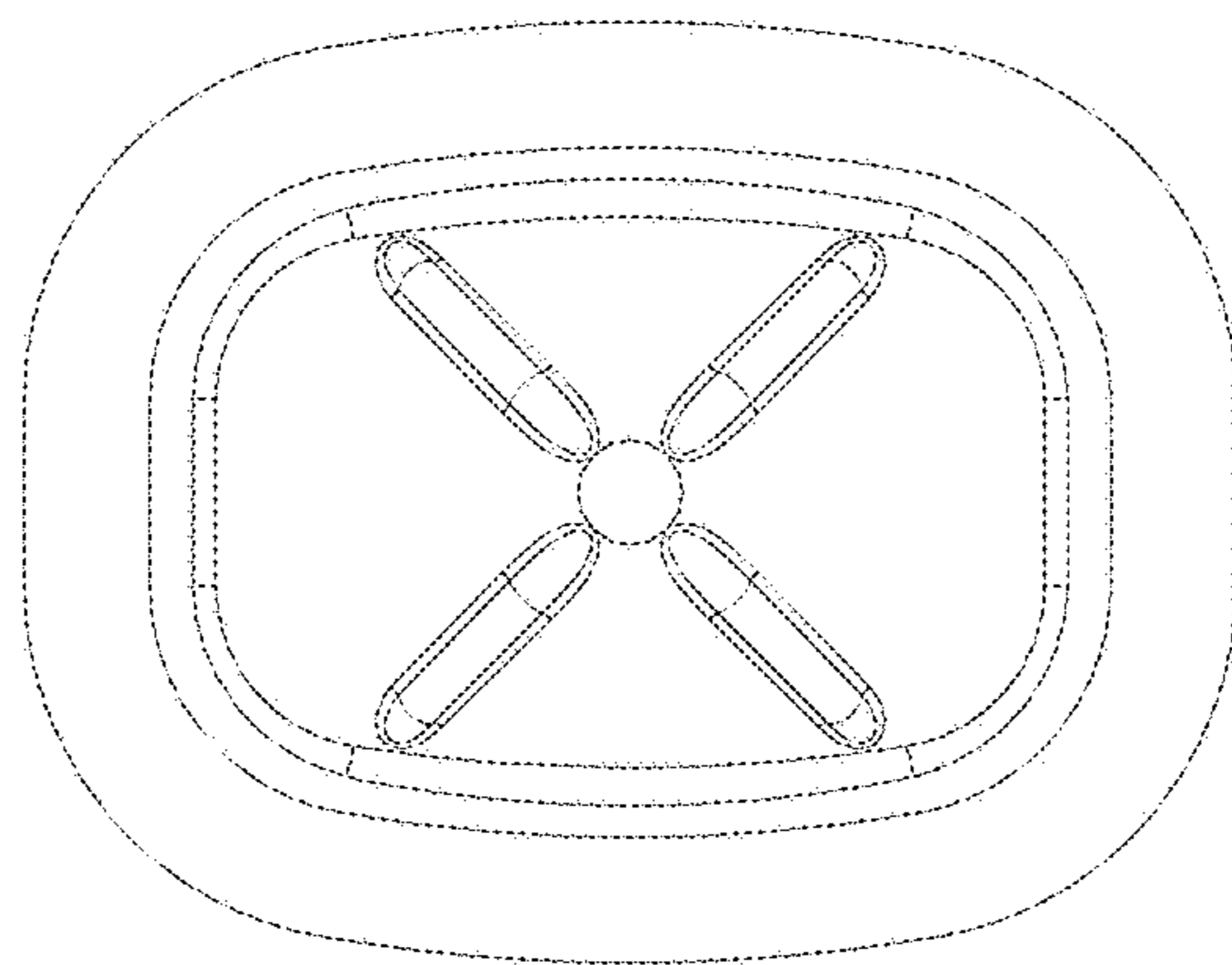


FIG. 6