



US00D797560S

(12) **United States Design Patent** (10) **Patent No.:** **US D797,560 S**  
**Chen** (45) **Date of Patent:** **\*\* Sep. 19, 2017**

(54) **BAR BOTTLE**

(71) Applicant: **Franke Technology and Trademark Ltd.**, Hergiswil (CH)

(72) Inventor: **Chi-En Chen**, Vancouver (CA)

(73) Assignee: **FRANKE TECHNOLOGY AND TRADEMARK LTD.** (CH)

(\*\*) Term: **15 Years**

(21) Appl. No.: **29/555,050**

(22) Filed: **Feb. 18, 2016**

(51) **LOC (10) Cl.** ..... **09-01**

(52) **U.S. Cl.**

USPC ..... **D9/503**; D9/447; D9/570

(58) **Field of Classification Search**

USPC ..... D9/434-435, 439, 447, 453, 448, 454, D9/500-505, 516, 520, 529-530, D9/537-542, 544-546, 549-550, 553, D9/556-558, 566, 570, 574-575, 652, D9/682, 685-692, 715, 719, 724, D9/763-783, 417; D7/300, 300.1, 598, D7/509-511, 619.1, 619.2, 307, 308, 314, D7/315, 311, 312, 313, 316, 317; D24/197; 215/378-379, 381-385, 215/370-371; 220/660, 662, 669-674, 220/675

CPC ... B65D 1/00; B65D 1/02; B65D 1/12; B65D 1/14; B65D 1/16; B65D 1/40; B65D 1/44; B65D 1/023; B65D 1/0223; B65D 1/0233; B65D 1/165; B65D 1/238; B65D 1/246; B65D 1/253; B65D 23/00; B65D 83/00; B65D 2501/00; B65D 2501/0009; B65D 2501/0081; B65D 7/04; B65D 81/00; B01F

(Continued)

(56) **References Cited**

**U.S. PATENT DOCUMENTS**

217,127 A 7/1879 Luckhardt  
1,143,525 A 6/1915 Ferris

(Continued)

**FOREIGN PATENT DOCUMENTS**

DE 10 2005 036 784 A1 3/2005  
EP 1010628 B1 3/2005

(Continued)

**OTHER PUBLICATIONS**

KELLM High Precision No Drip Glass Olive Oil Bottle, posted at amazon.com, available Jun. 12, 2016, © 1996-2017 amazon.com, [online]. [site visited Jan. 31, 2017]. Available from Internet, <URL: <https://www.amazon.com/dp/B01GYAMADO?psc=1>>.\*

(Continued)

*Primary Examiner* — Anhdao Doan

*Assistant Examiner* — Mary Malley

(74) *Attorney, Agent, or Firm* — Bergman & Song LLP; Michael Bergman

(57) **CLAIM**

The ornamental design for a bar bottle, as shown and described.

**DESCRIPTION**

FIG. 1 is a perspective view of a bar bottle according to the design;

FIG. 2 is a front elevation view thereof;

FIG. 3 is a rear elevation view thereof;

FIG. 4 is a left side elevation view thereof;

FIG. 5 is a right side elevation view thereof;

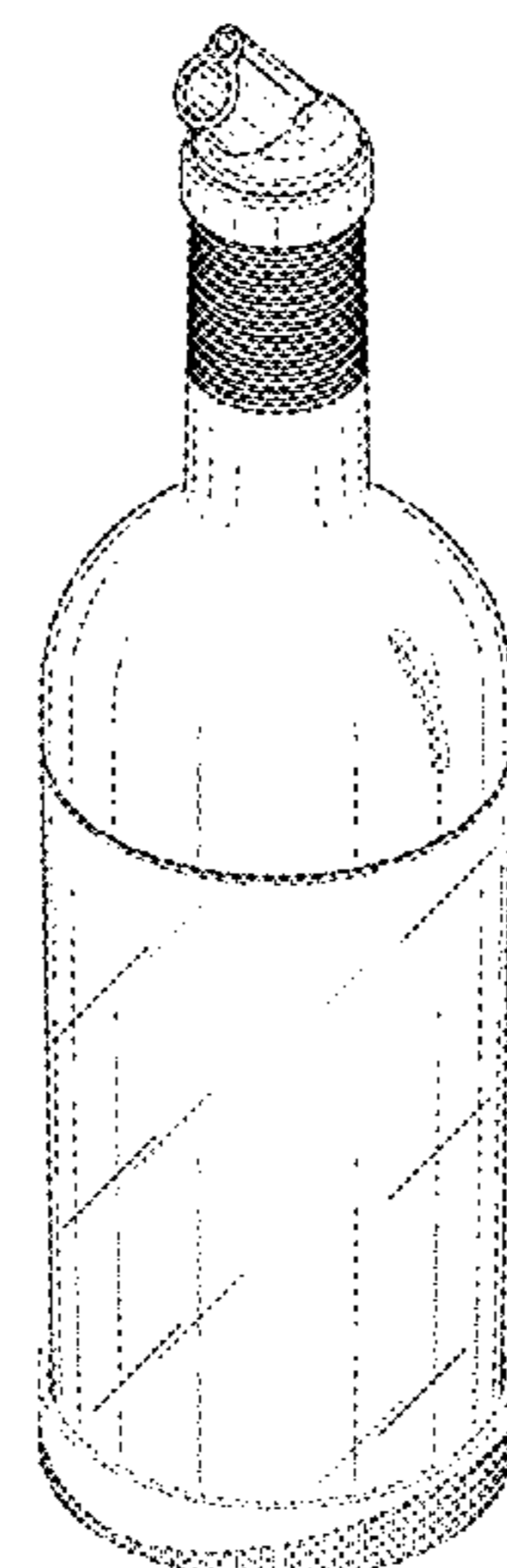
FIG. 6 is a top plan view thereof;

FIG. 7 is a bottom plan view thereof; and,

FIG. 8 is a perspective view thereof with a lower cover in a separated configuration.

The broken line are included for the purpose of illustrating portions of the bar bottle that form no part of the claimed design.

**1 Claim, 7 Drawing Sheets**



(58) **Field of Classification Search**  
 CPC .... 2215/0072; B01F 3/04737; B01F 3/04751;  
 B01F 3/04794; B21D 22/30  
 See application file for complete search history.

2010/0012617 A1\* 1/2010 Ulibarri ..... B65D 1/0276  
 215/371  
 2011/0036873 A1 2/2011 Peckels  
 2012/0091171 A1 4/2012 Lovelace, III et al.  
 2013/0319253 A1\* 12/2013 Smith ..... B01F 3/04737  
 99/323.1

(56) **References Cited**  
 U.S. PATENT DOCUMENTS

1,970,798 A 8/1934 Daly  
 2,286,906 A 6/1942 Gaines  
 2,298,957 A 10/1942 Mazzarelli  
 2,477,984 A 8/1949 Jackson  
 D165,577 S 1/1952 Fuld  
 D165,646 S 1/1952 Fuld  
 D167,916 S 10/1952 Voight  
 2,664,228 A 12/1953 Radeloff et al.  
 3,063,589 A 11/1962 Musel  
 3,104,786 A 9/1963 Sanchis  
 3,139,224 A 6/1964 Bloom  
 3,235,133 A 2/1966 Zimmerman  
 3,338,482 A 8/1967 Jordan  
 3,422,998 A 1/1969 Murray  
 3,430,826 A 3/1969 Microulis  
 3,750,915 A 8/1973 Kearney  
 4,452,381 A 6/1984 Freeman  
 D274,791 S \* 7/1984 Freeman ..... D9/417  
 D290,686 S \* 7/1987 Board ..... D9/500  
 4,871,096 A 10/1989 Horian  
 D356,934 S \* 4/1995 Lenox ..... D12/114  
 D369,550 S \* 5/1996 Crosby ..... D9/435  
 5,746,358 A 5/1998 Crosby  
 D421,908 S 3/2000 Abrams  
 D438,117 S \* 2/2001 Shefler ..... D9/500  
 6,196,425 B1 3/2001 Fielding et al.  
 6,230,944 B1 5/2001 Castellano et al.  
 D452,436 S \* 12/2001 Darr ..... D9/500  
 D587,571 S 3/2009 Gonzales, Jr.  
 8,011,540 B1 9/2011 Peckels  
 D649,046 S 11/2011 Baker et al.  
 8,079,484 B2 12/2011 Wachsberg  
 D668,953 S \* 10/2012 Maxwell ..... D9/447  
 D671,010 S \* 11/2012 Shefler ..... D9/520  
 D679,600 S \* 4/2013 Gonzalez Rodriguez ..... D9/500  
 D776,354 S \* 1/2017 Schlatter ..... D28/85  
 2003/0046971 A1\* 3/2003 Enoki ..... B21D 51/26  
 72/348  
 2008/0099514 A1 5/2008 Carter et al.  
 2008/0272147 A1 11/2008 Buker et al.

2013/0334161 A1 12/2013 Meager  
 2014/0252014 A1 9/2014 Bernstein et al.  
 2015/0174537 A1 6/2015 Foldesi, Jr. et al.  
 2015/0274384 A1 10/2015 Goldstein  
 2016/0039583 A1 2/2016 Brown et al.  
 2016/0176589 A1 6/2016 Averill  
 2016/0229604 A1 8/2016 Carsello  
 2016/0297576 A1 10/2016 Hill

FOREIGN PATENT DOCUMENTS

GB 688967 3/1953  
 WO WO 2011/097322 8/2011

OTHER PUBLICATIONS

Retro Glass Oil & Vinegar Bottles Cruet Set with Pourers, posted at amazon.com, available Sep. 26, 2012, © 1996-2017 amazon.com, [online], [site visited Jan. 31, 2017]. Available from Internet, <URL: [https://www.amazon.com/Retro-Glass-Vinegar-Bottles-Pourers/dp/B009H0T5HI/ref=pd\\_sbs\\_79\\_30?\\_encoding=UTF8&psc=1&refRID=XGWF62J1Z24T0PTBW1QZ](https://www.amazon.com/Retro-Glass-Vinegar-Bottles-Pourers/dp/B009H0T5HI/ref=pd_sbs_79_30?_encoding=UTF8&psc=1&refRID=XGWF62J1Z24T0PTBW1QZ)>.\*  
 Juice Pourers; <https://www.barproducts.com/bar-owners/pourers/juice-pourers>; published prior to Jan. 11, 2016.  
 Posi-Pour Use & Care by AlcoholControls.com, posted at YouTube.com, posted on Jul. 5, 2012, site visited Jan. 13, 2017, <<https://www.youtube.com/watch?v=t9R1WUGHOLQ&feature=youtu.be>>.  
 Everything You Never Wanted to Know About Pourers, posted at Thetruthaboutbartending.com, posted on Sep. 4, 2012, site dated 13, 2017, <<http://etruthaboutbartending.com/2012/09/04/everything-you-never-wanted-to-know-about-pourers/>>  
 Measured Liquor Bottle Pourers—1½ oz, posted at Kegworks.com, posted on Oct. 22, 2015, site visited Jan. 13, 2017, <<https://www.kegworks.com/measured-liquor-bottle-pourers-1-1-2-oz>>.  
 12 Red Free Flow Liquor Pourer Pour Spouts, posted at Amazon.com, posted on Nov. 8, 2012, site visited Jan. 13, 2017, <<https://www.amazon.com/Free-Flow-Liquor-Pourer-Spouts/dp/B00A3ZC7VM>>.

\* cited by examiner

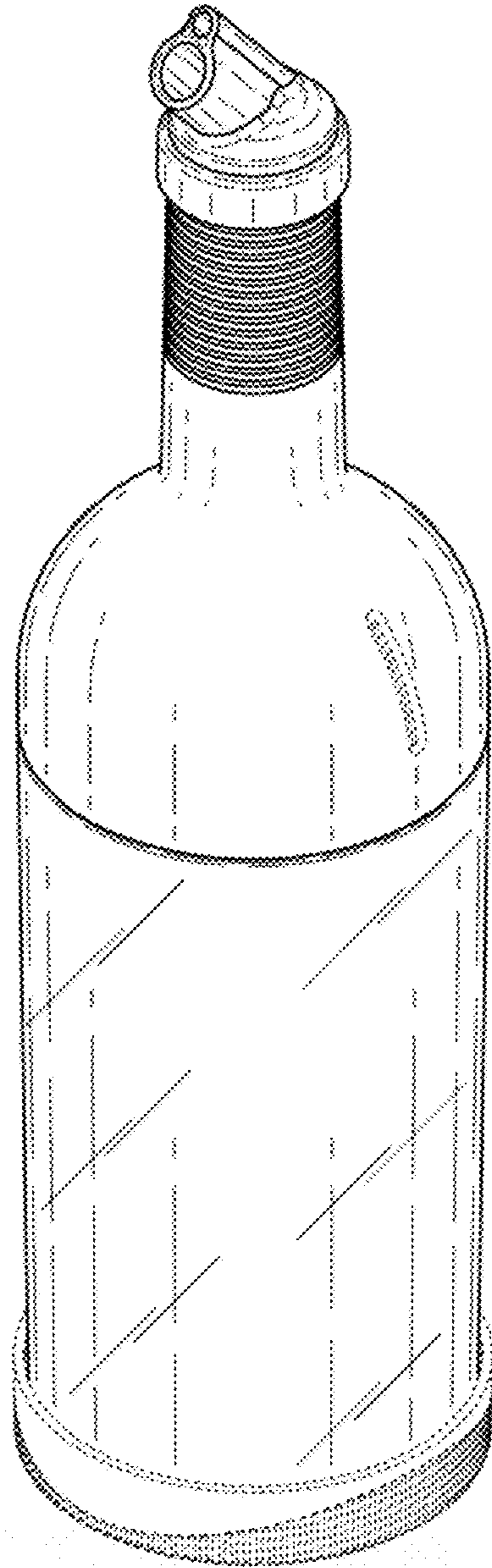


FIG. 1

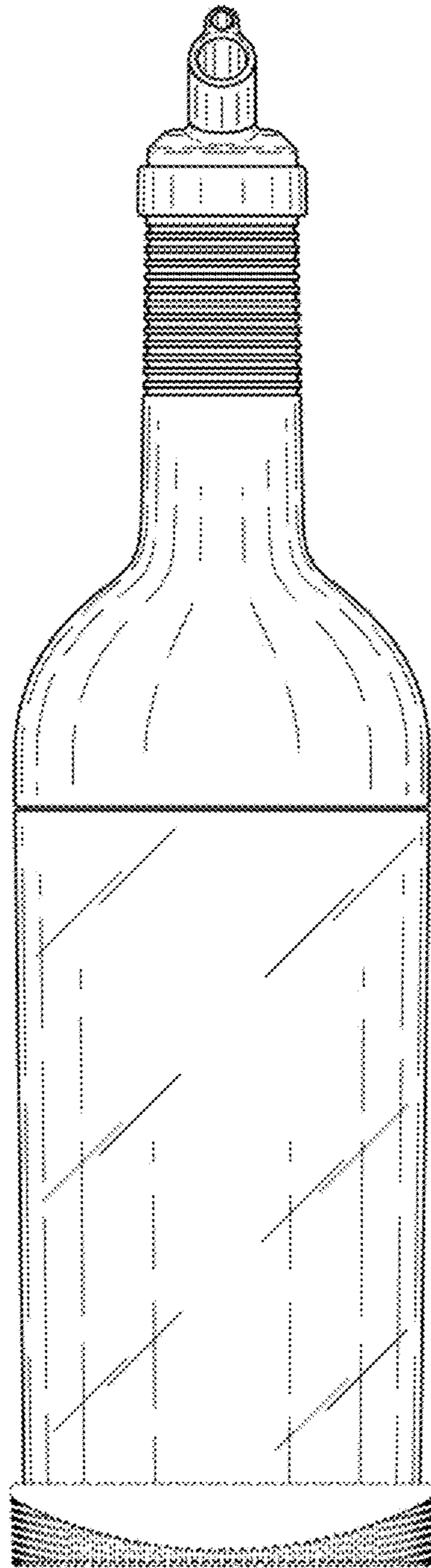


FIG. 2

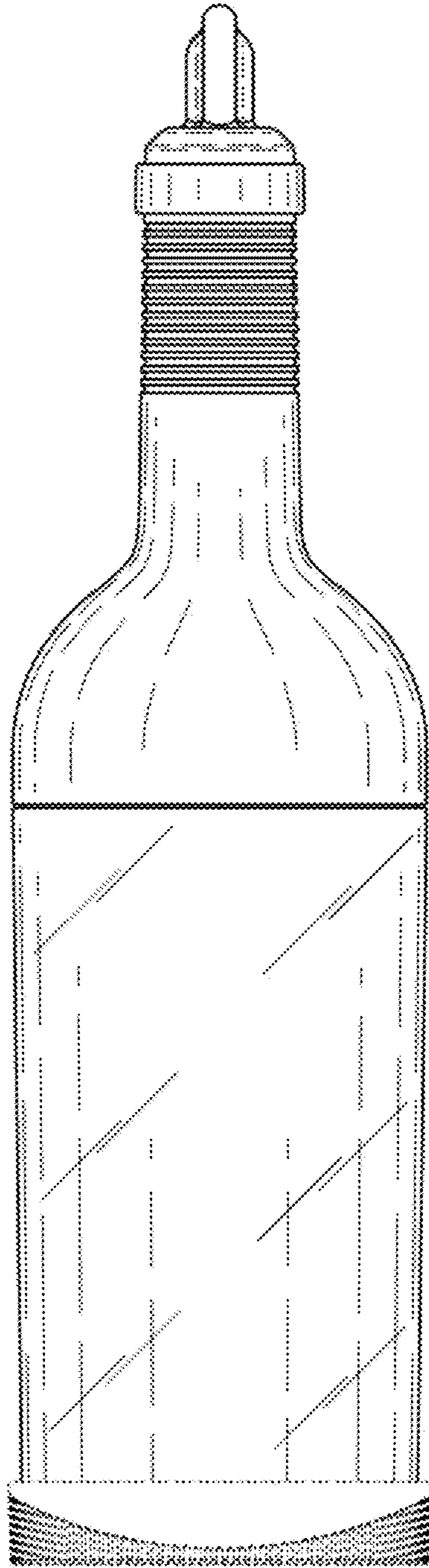


FIG. 3

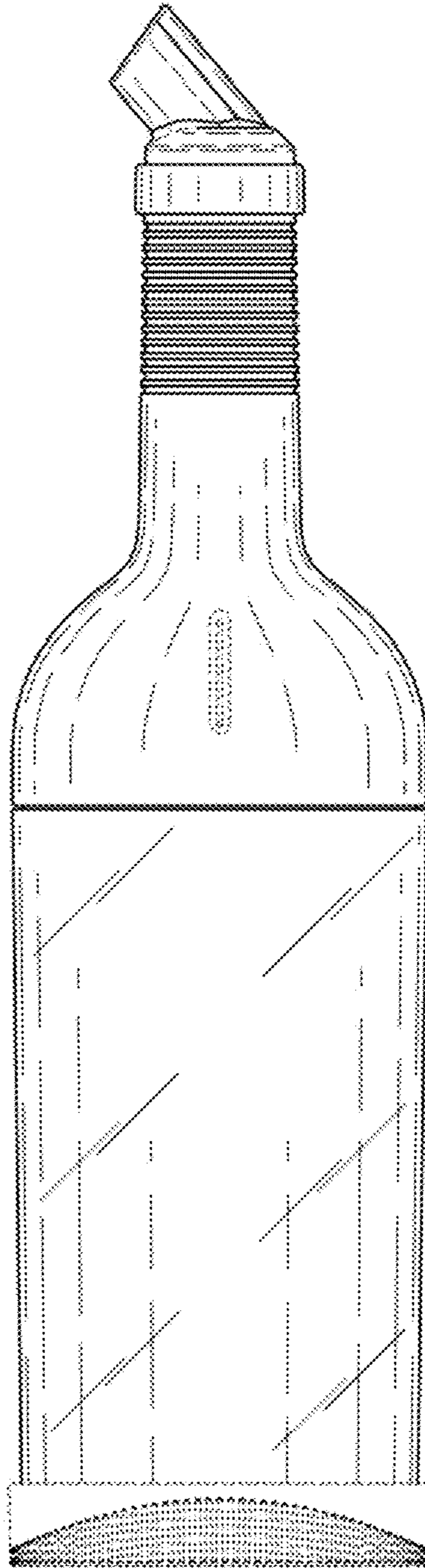


FIG. 4

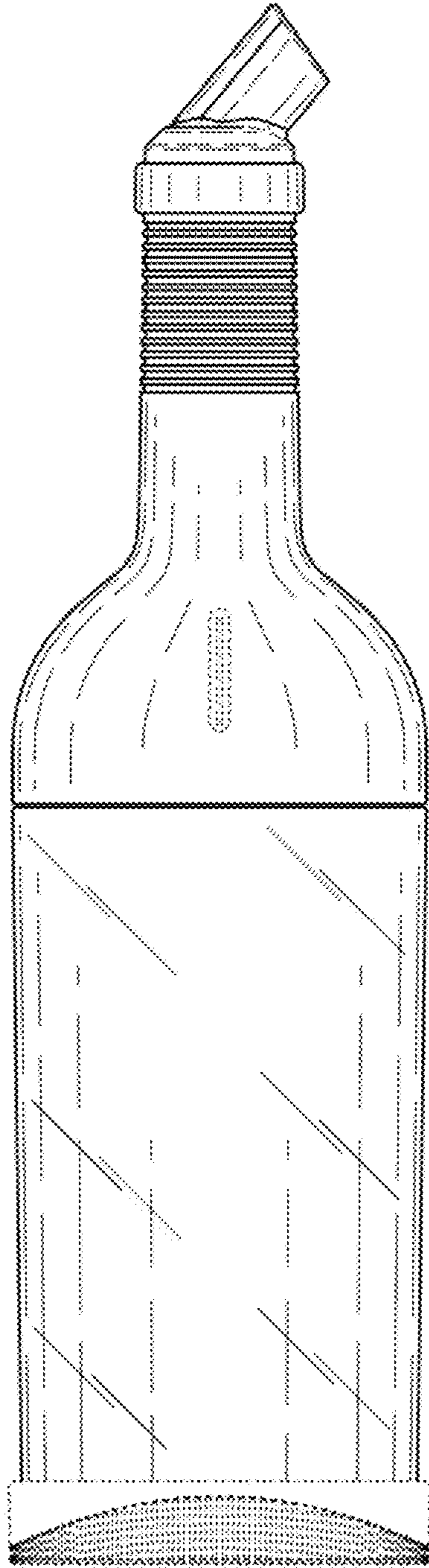


FIG. 5

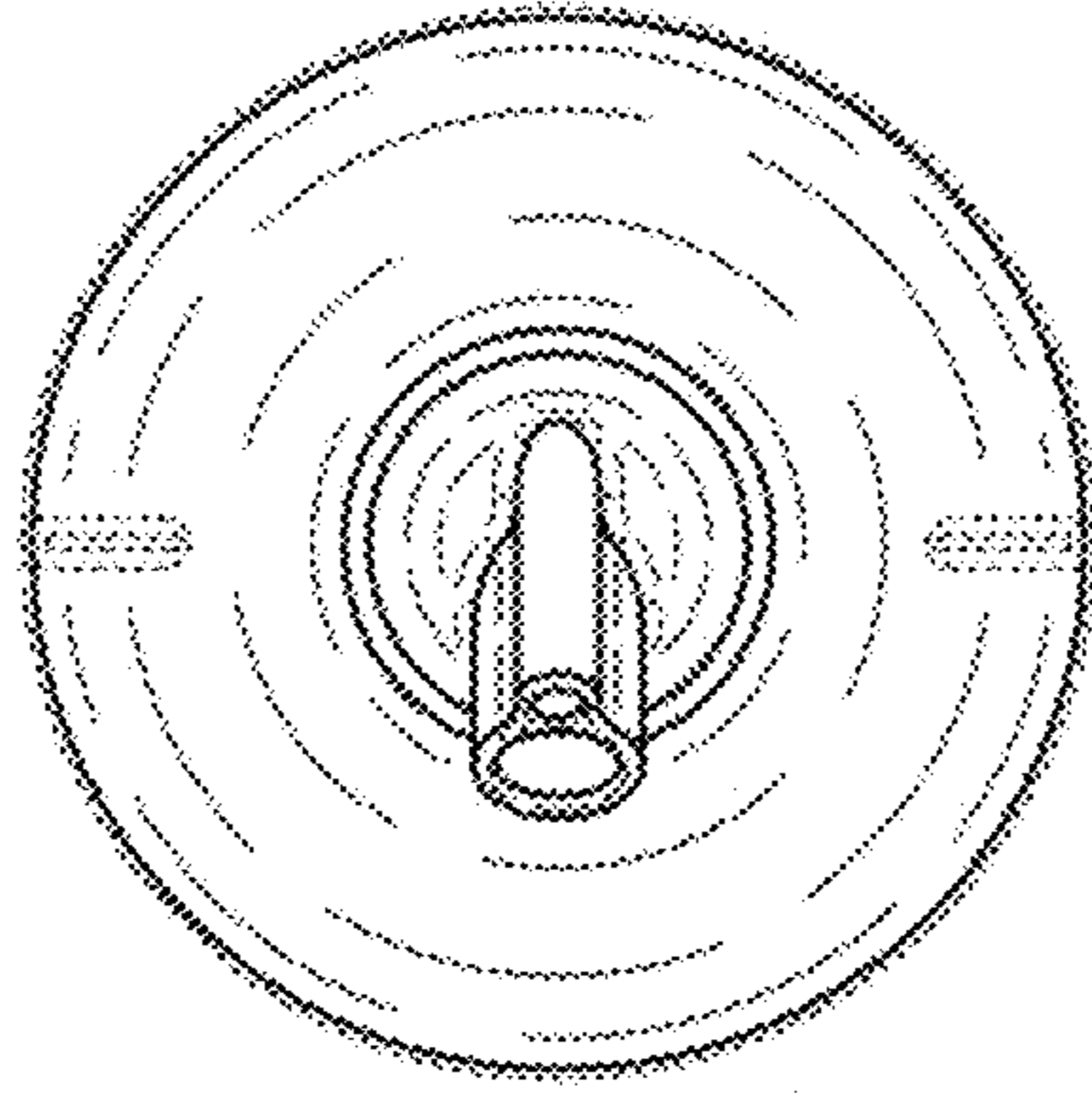


FIG. 6

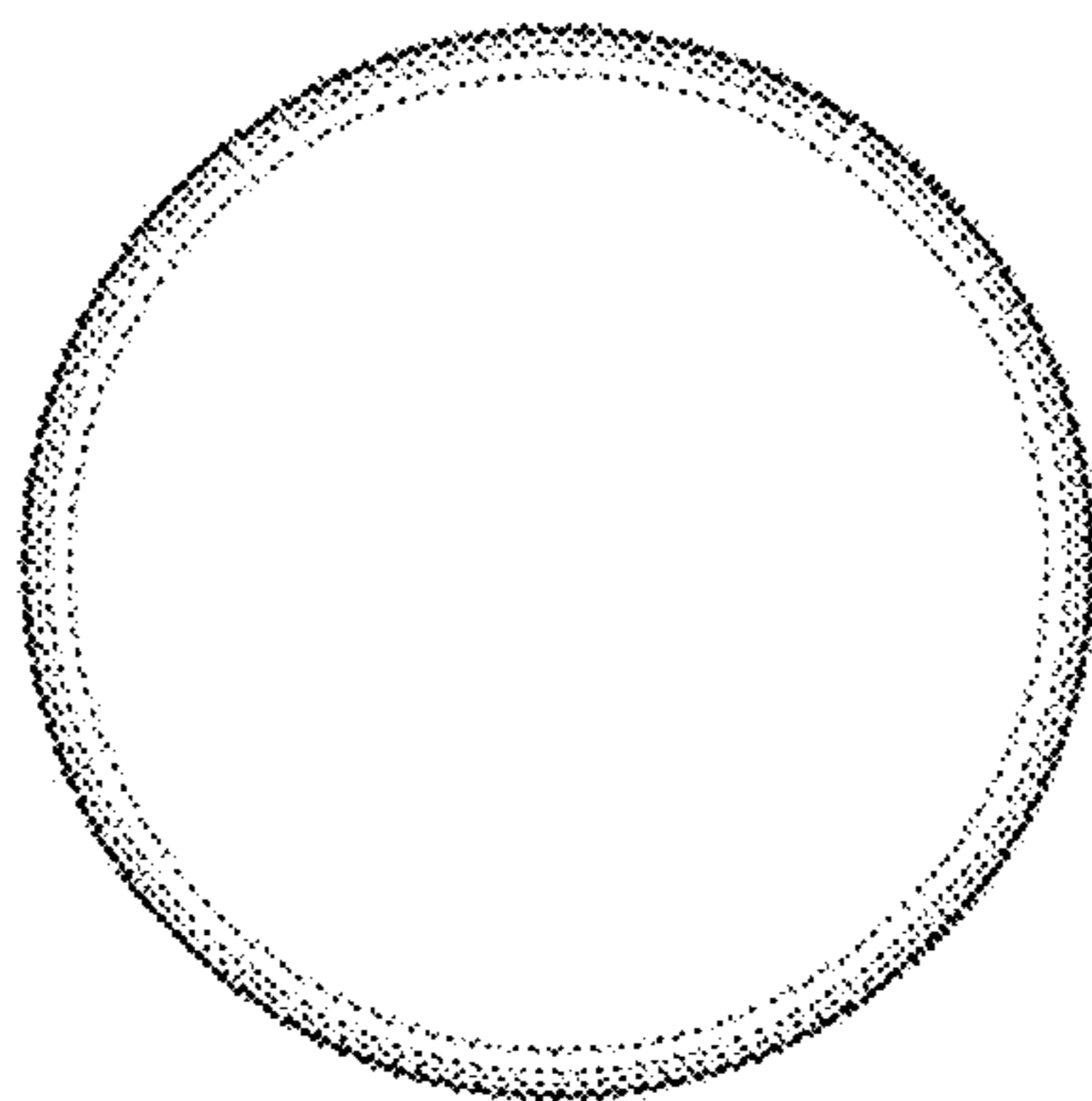


FIG. 7



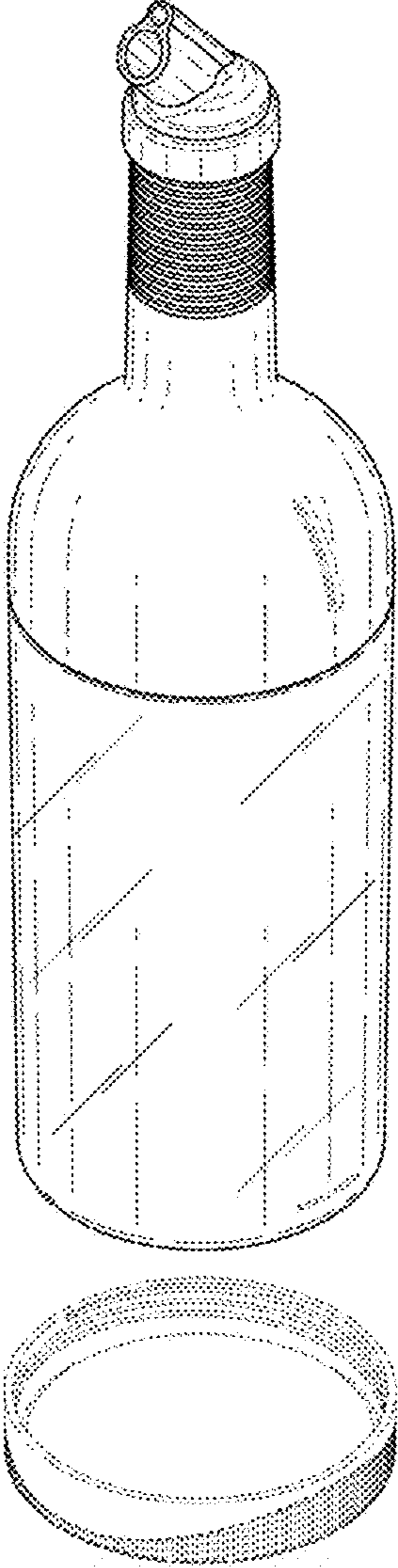


FIG. 8