



US00D797559S

(12) **United States Design Patent**
Lerman

(10) **Patent No.:** **US D797,559 S**

(45) **Date of Patent:** **** Sep. 19, 2017**

(54) **JAR**

(71) Applicant: **eBottles.com**, Jupiter, FL (US)

(72) Inventor: **Robert Lerman**, Jupiter, FL (US)

(73) Assignee: **eBottles.com**, Jupiter, FL (US)

(**) Term: **15 Years**

(21) Appl. No.: **29/591,503**

(22) Filed: **Jan. 20, 2017**

Related U.S. Application Data

(62) Division of application No. 29/567,402, filed on Jun. 8, 2016, now Pat. No. Des. 781,151.

(51) **LOC (10) Cl.** **09-01**

(52) **U.S. Cl.**
USPC **D9/500**

(58) **Field of Classification Search**
USPC D9/500, 503-504, 549, 558, 516, 529;
D3/264, 203.2; D24/224; D19/93, 191
CPC B65D 1/00; B65D 1/02; B65D 1/0207;
B65D 1/0223; B65D 1/10; B65D 23/00;
B65D 2501/00; B65D 2501/0009
See application file for complete search history.

(56) **References Cited**

U.S. PATENT DOCUMENTS

D34,061 S	2/1901	Scattergood	
D65,326 S *	7/1924	Cahalane	D19/93
2,076,551 A *	4/1937	Conner	A45D 40/0068 215/12.1
2,077,215 A *	4/1937	Conner	A45D 40/0068 215/12.1
2,077,216 A *	4/1937	Conner	A45D 40/0068 215/12.1
2,711,766 A *	6/1955	Archer	A45D 40/0068 215/12.1
3,311,248 A	3/1967	Marchant	

D237,361 S	10/1975	Picker
4,020,965 A	5/1977	Northup
5,197,616 A	3/1993	Buono
D441,284 S	5/2001	Saur et al.
D442,864 S	5/2001	Davies

(Continued)

FOREIGN PATENT DOCUMENTS

CN	301921442	*	5/2012
CN	303603019	*	3/2016

(Continued)

OTHER PUBLICATIONS

“Glass Jar: EL-32315”, Products, McKernan Packaging Clearing House, retrieved Aug. 2017, 4 pages, <<https://www.mckernan.com/products/glass-jars/el-32315>>.*

(Continued)

Primary Examiner — Dana L Meyrow

(74) *Attorney, Agent, or Firm* — Gottlieb, Rackman & Reisman, PC

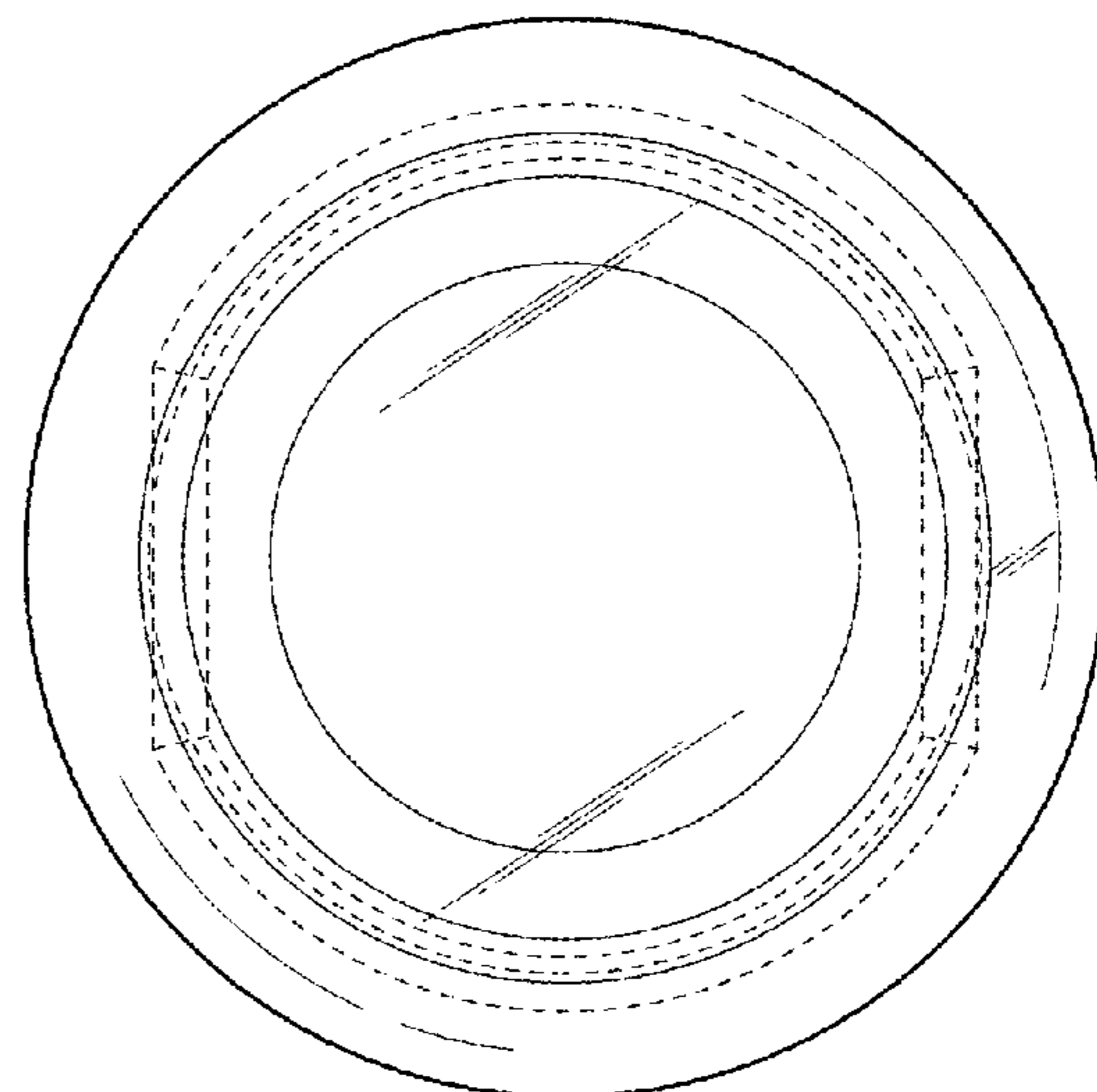
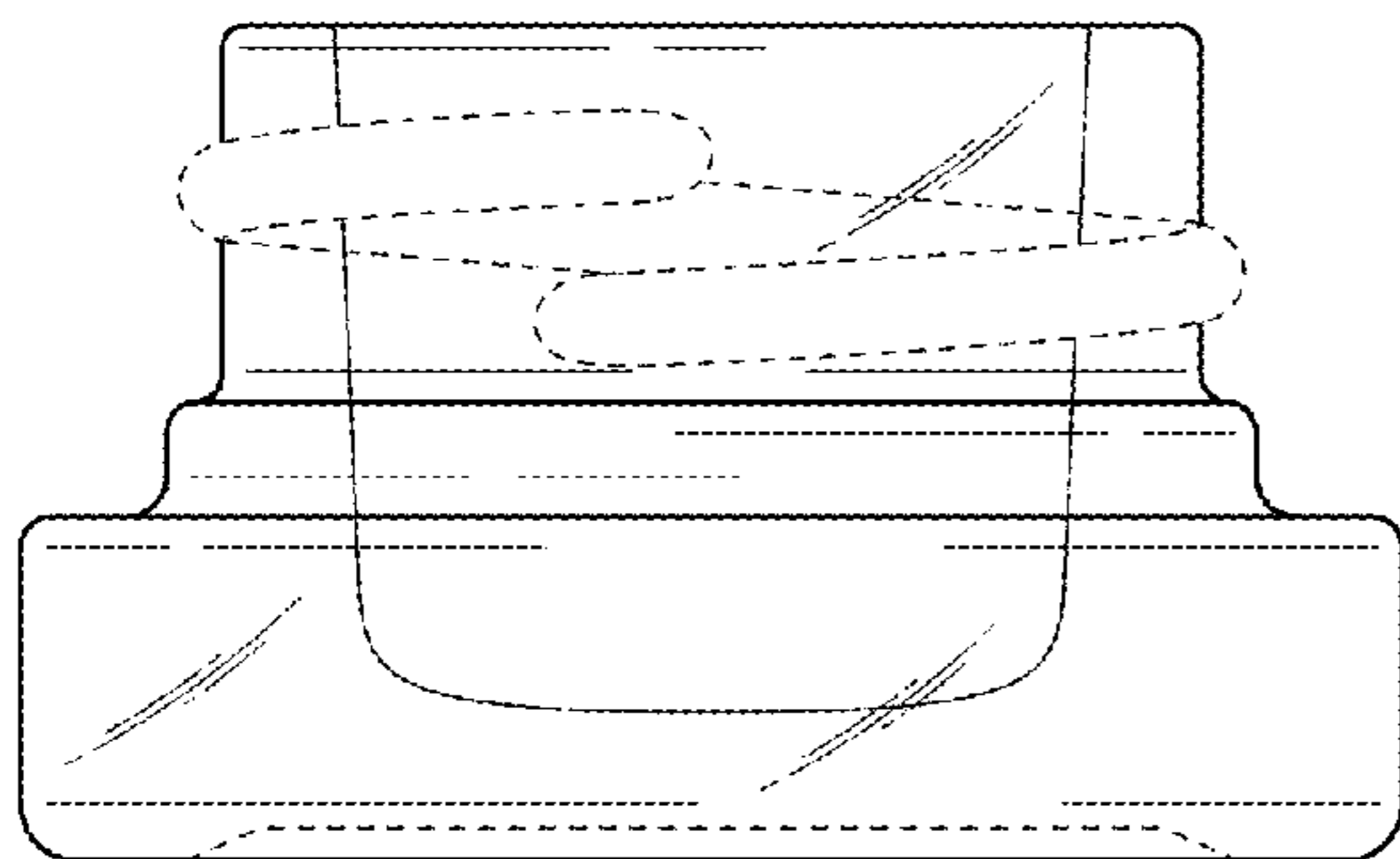
(57) **CLAIM**

The ornamental design for a jar, as shown and described.

DESCRIPTION

FIG. 1 is a top perspective view of a jar showing my new design;
FIG. 2 is a front elevation view thereof;
FIG. 3 is a rear elevation view thereof;
FIG. 4 is a right side elevation view thereof;
FIG. 5 is a left side elevation view thereof;
FIG. 6 is a top plan view thereof; and,
FIG. 7 is a bottom plan view thereof.
The broken lines shown in the drawings are included for the purpose of illustrating portions of the article that form no part of the claimed design.

1 Claim, 4 Drawing Sheets



(56)

References Cited

U.S. PATENT DOCUMENTS

D453,473 S 2/2002 Del Bianco
 D493,721 S 8/2004 Puigbo
 D506,128 S 6/2005 Foi
 D519,837 S 5/2006 Sturk et al.
 D554,367 S 11/2007 Chou et al.
 D574,240 S 8/2008 Szczesniak
 D578,891 S 10/2008 Canamasas Puigbo
 7,527,159 B2 5/2009 Brozell
 7,815,061 B1 10/2010 Robinson
 D633,386 S 3/2011 Taber et al.
 D634,202 S 3/2011 Zamberlan
 D635,030 S * 3/2011 L'Abbate D9/529
 D638,300 S * 5/2011 L'Abbate D9/529
 D641,257 S * 7/2011 Thiebaut D9/454
 8,205,761 B2 6/2012 Stull, Sr. et al.
 D679,990 S 4/2013 O'Brian et al.
 D687,299 S 8/2013 Peykoff et al.
 8,672,158 B2 3/2014 Taber et al.
 9,045,265 B2 6/2015 Adamczak
 D739,741 S * 9/2015 Staab D9/454
 D781,151 S * 3/2017 Lerman D9/500
 2005/0074528 A1 4/2005 Servaux et al.
 2008/0308518 A1 12/2008 Sprishen
 2008/0314900 A1 12/2008 Biesecker et al.
 2011/0147334 A1 6/2011 Mettu et al.
 2015/0076103 A1 3/2015 Koller et al.
 2015/0122767 A1 5/2015 Mettu et al.
 2015/0122769 A1 5/2015 Taber et al.
 2015/0298866 A1 10/2015 Hagen
 2016/0030285 A1 2/2016 Miceli et al.

FOREIGN PATENT DOCUMENTS

FR 2720376 12/1995
 JP 2001158455 6/2001
 SI 9650055-0001 10/1996
 TR 2005-01421 7/2005
 WO 8302763 8/1983

OTHER PUBLICATIONS

“McKernan Adds Low Profile, Frosted Glass Jars”, Beauty Packaging, published Jun. 2012, 7 pages, <http://www.beautypackaging.com/issues/2012-06/view_desig n-center/mckernan-adds-low-profile-frosted-glass-jars/>.*
 “7ml clear glass low-profile jar with 38-400 neck finish”, Container & packaging Supply, retrieved Aug. 2017, 5 pages, <<https://www.containerandpackaging.com/item/G009C>>.*
 “Frosted Glass Low Profile Jar—7 ml”, Saffire Blue inc., retrieved Aug. 2017, 4 pages, <<http://www.saffireblue.ca/shop/glass-jars/frosted-glass-jars/frosted-glass-low-profile-jar-7-ml>>.*
 SKS Science, White Child Resistant PE Lined “Push Down” Caps, <https://www.sks-science.com/closures-p-2756.html>; Aug. 10, 2005.
 Alameda Packaging, Child Resistant Plastic Caps; https://www.alamedapackaging.com/Catalog/Caps/Plastic_Caps/NonDispensing_Caps/181/Child_Resistant_Plastic_Caps.html; Oct. 3, 2014.
 Van Blarcom Closures Inc., Two-Piece Plastic; Saf-Cap IIIA, ASTM Type 1A, Oct. 20, 2004.
 Holistic Packaging Company <http://holisticpackaging.com/>, Apr. 29, 2016.
 DHgate.com, Clear color 5ml glass jar tempered glass storage jars dab wax jar container oil concentrate & cosmetic cream container, <http://www.dhgate.com/product/clear-color-5ml-glass-jar-tempered-glass/238531495.html>; Apr. 29, 2016.

* cited by examiner

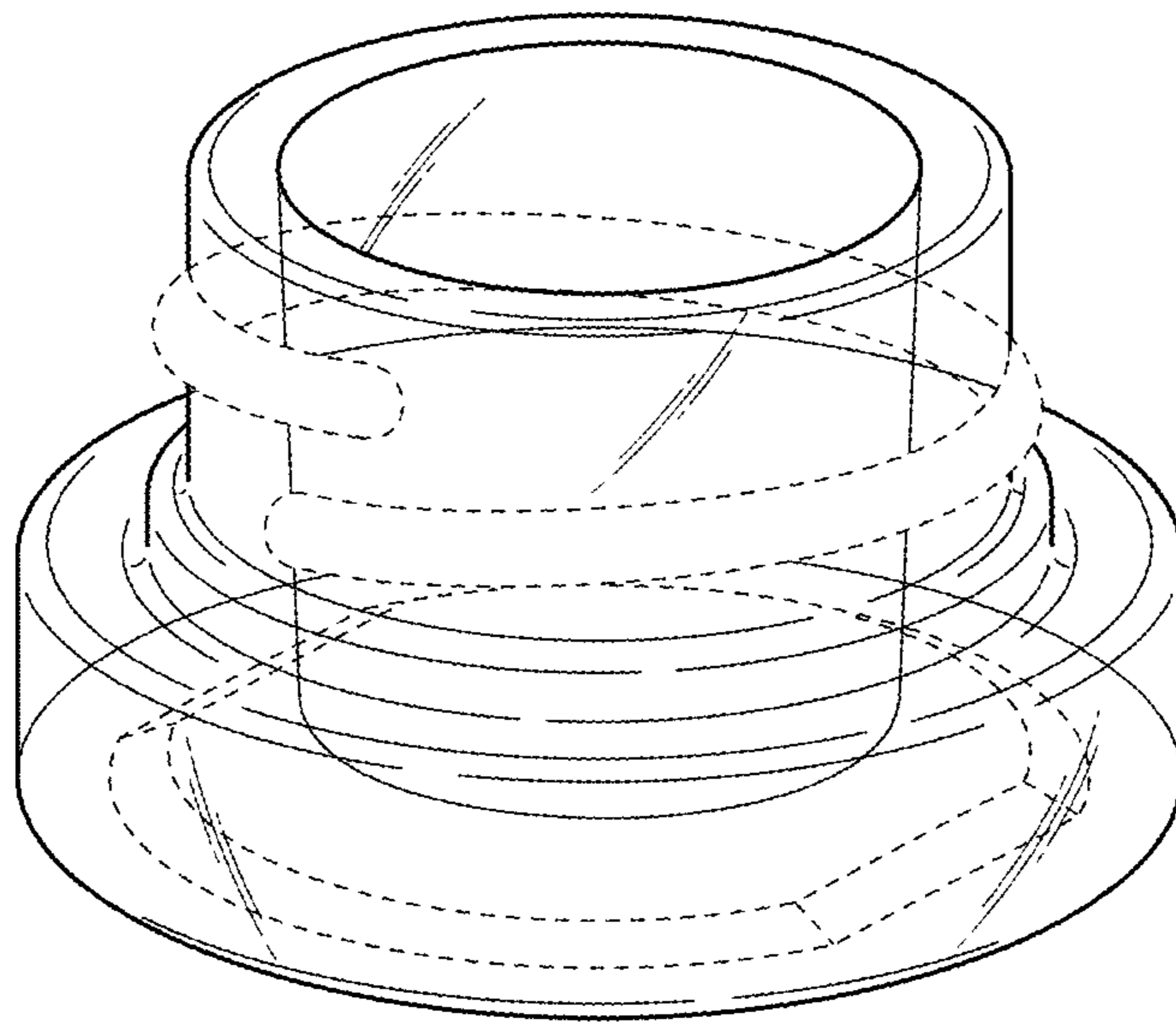


FIG. 1

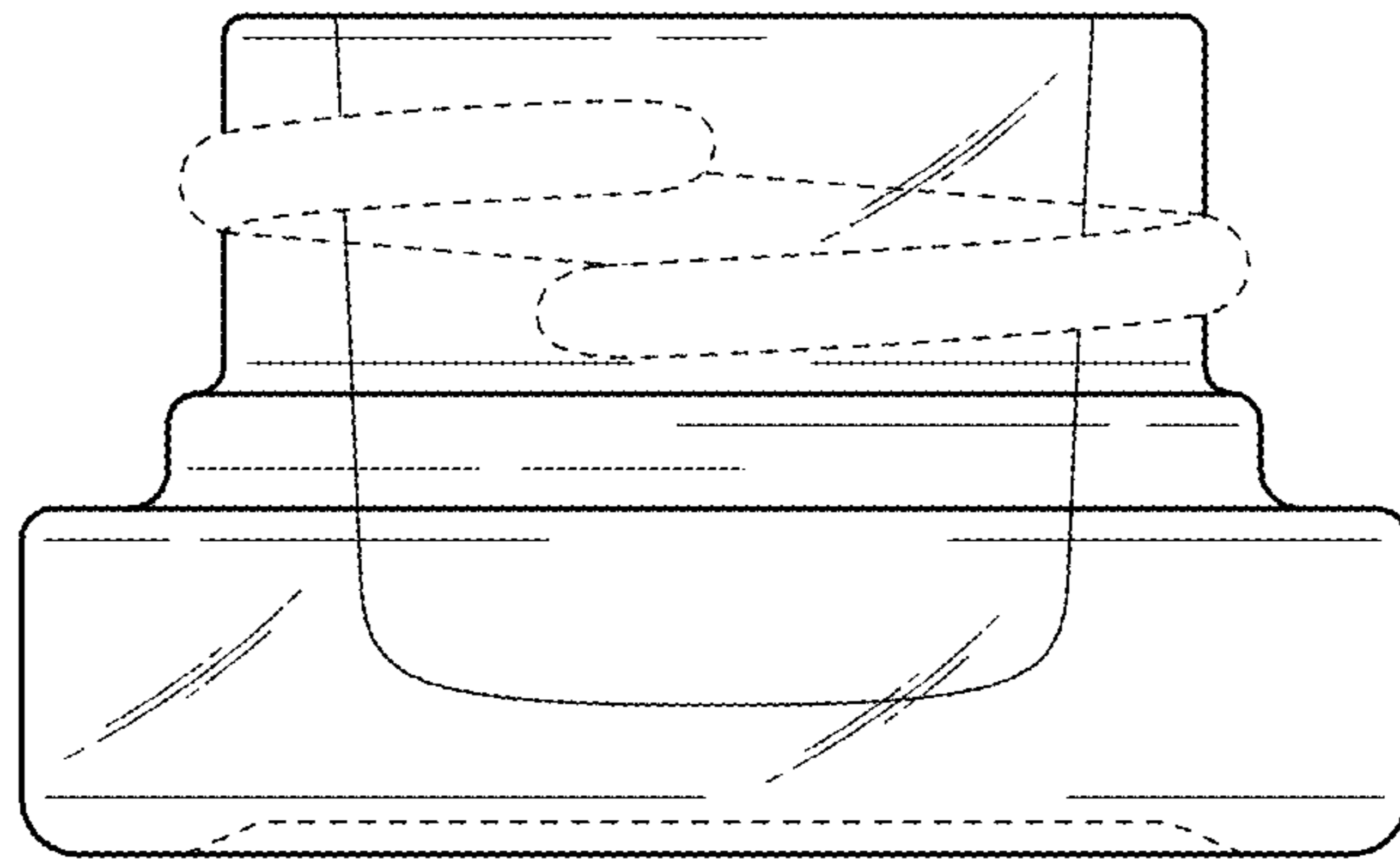


FIG. 2

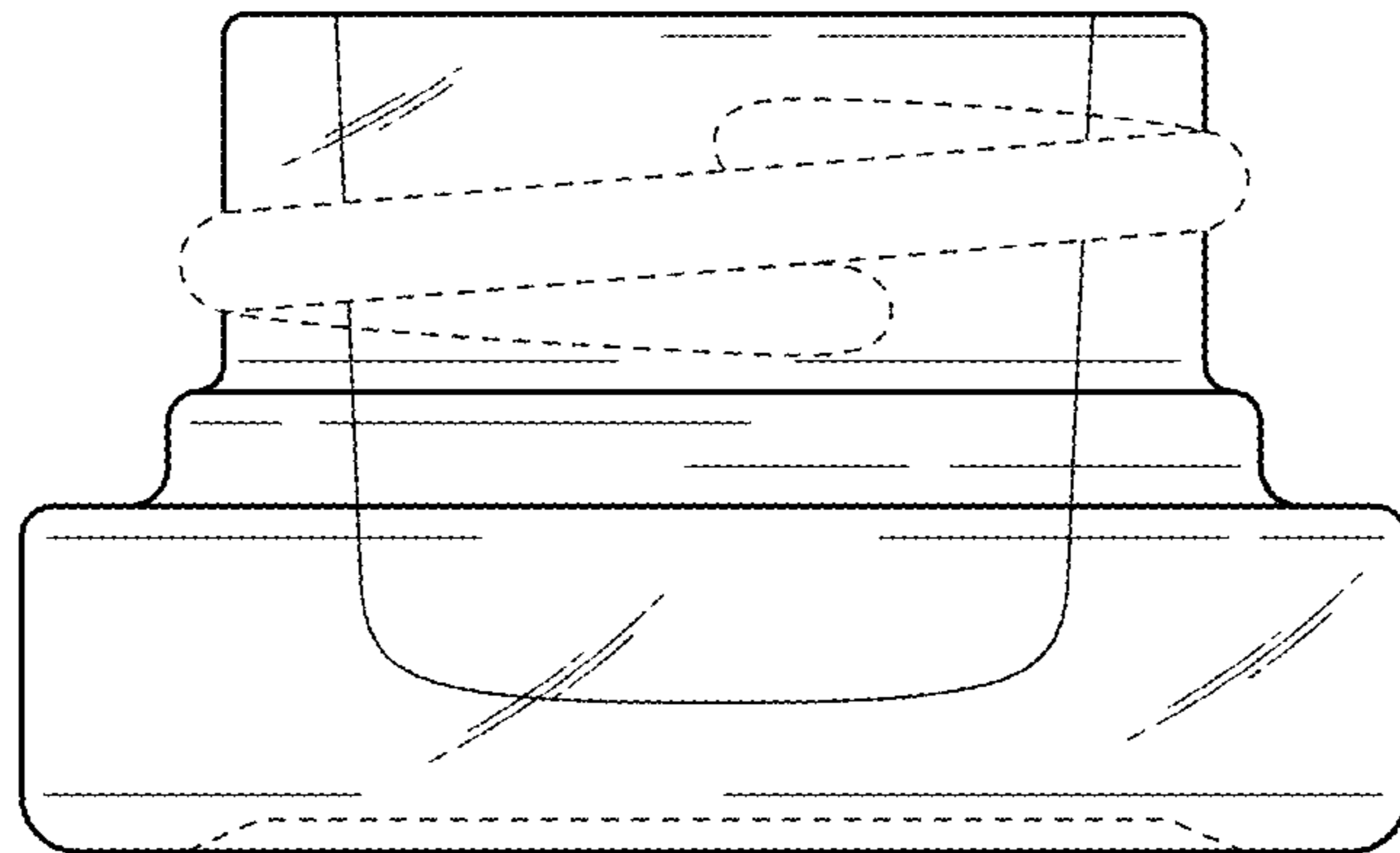


FIG. 3

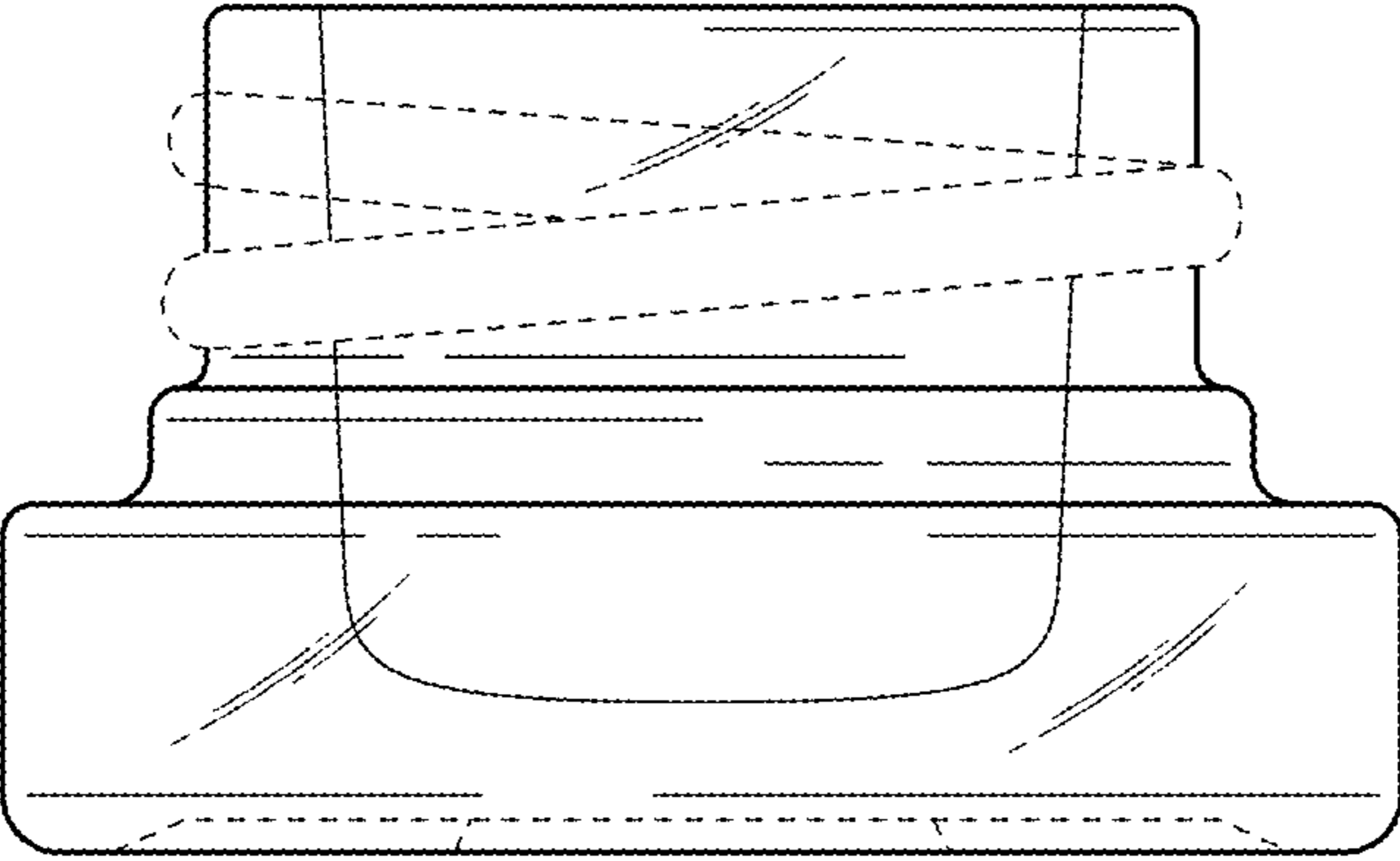


FIG. 4

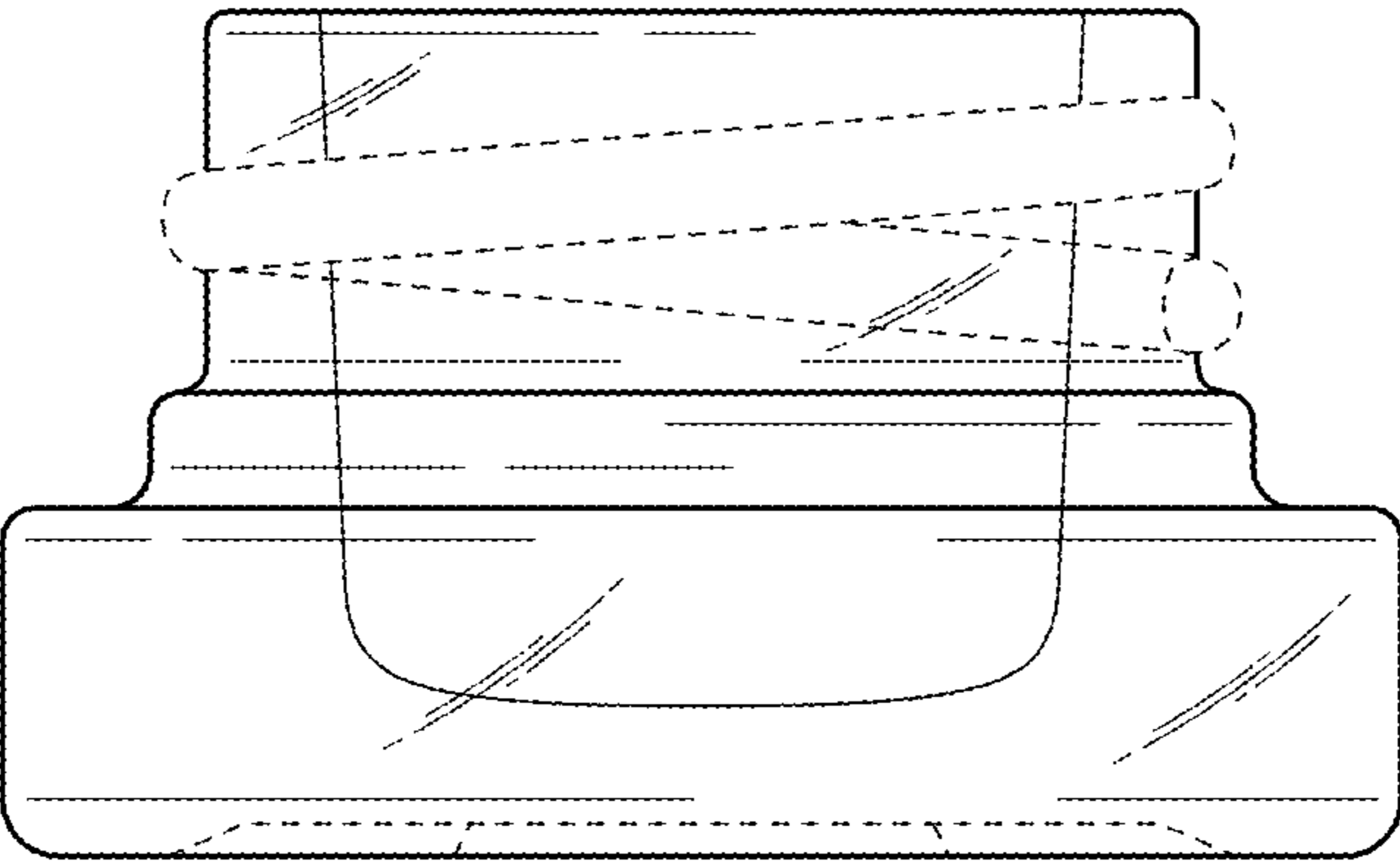


FIG. 5

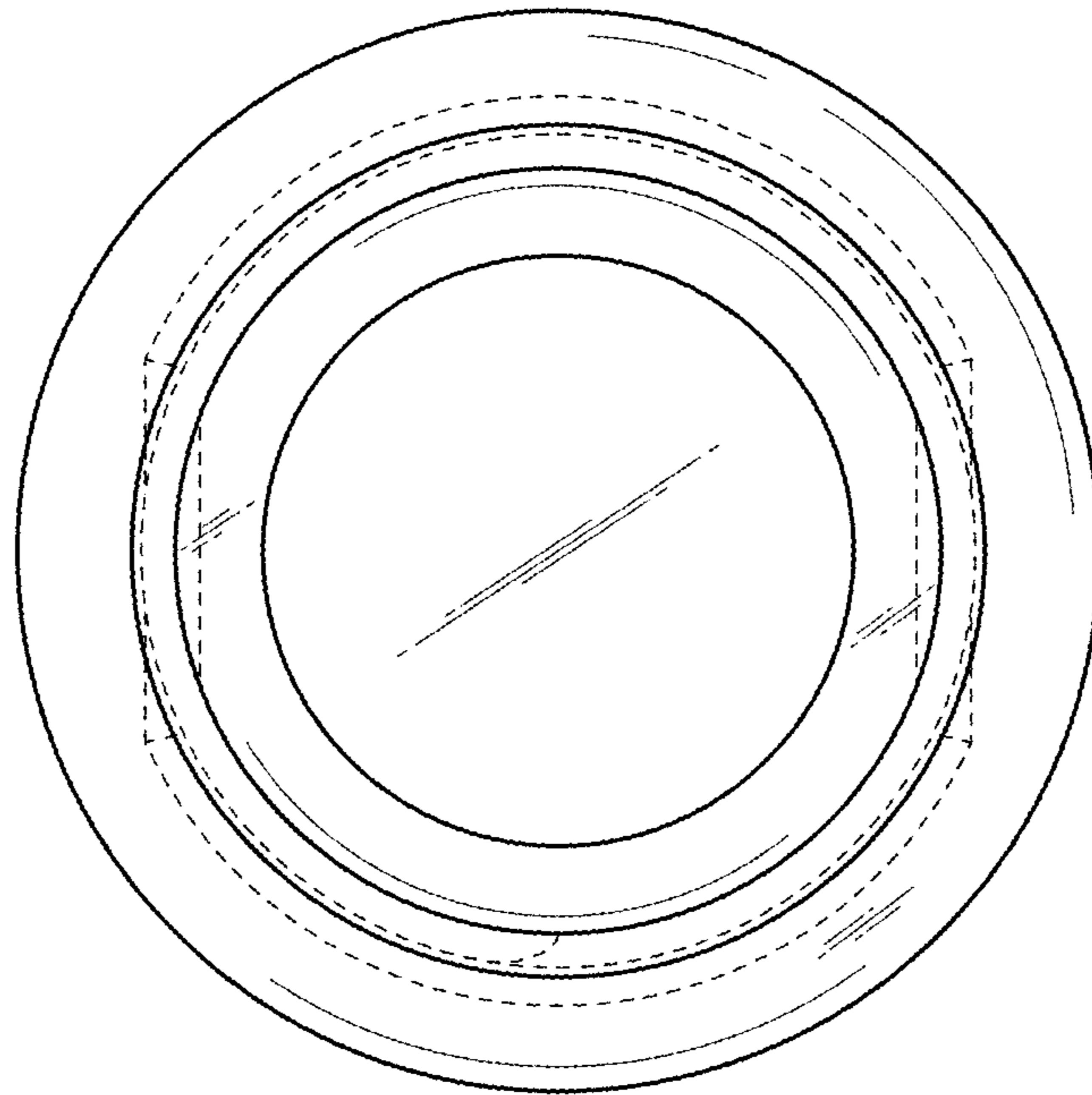


FIG. 6

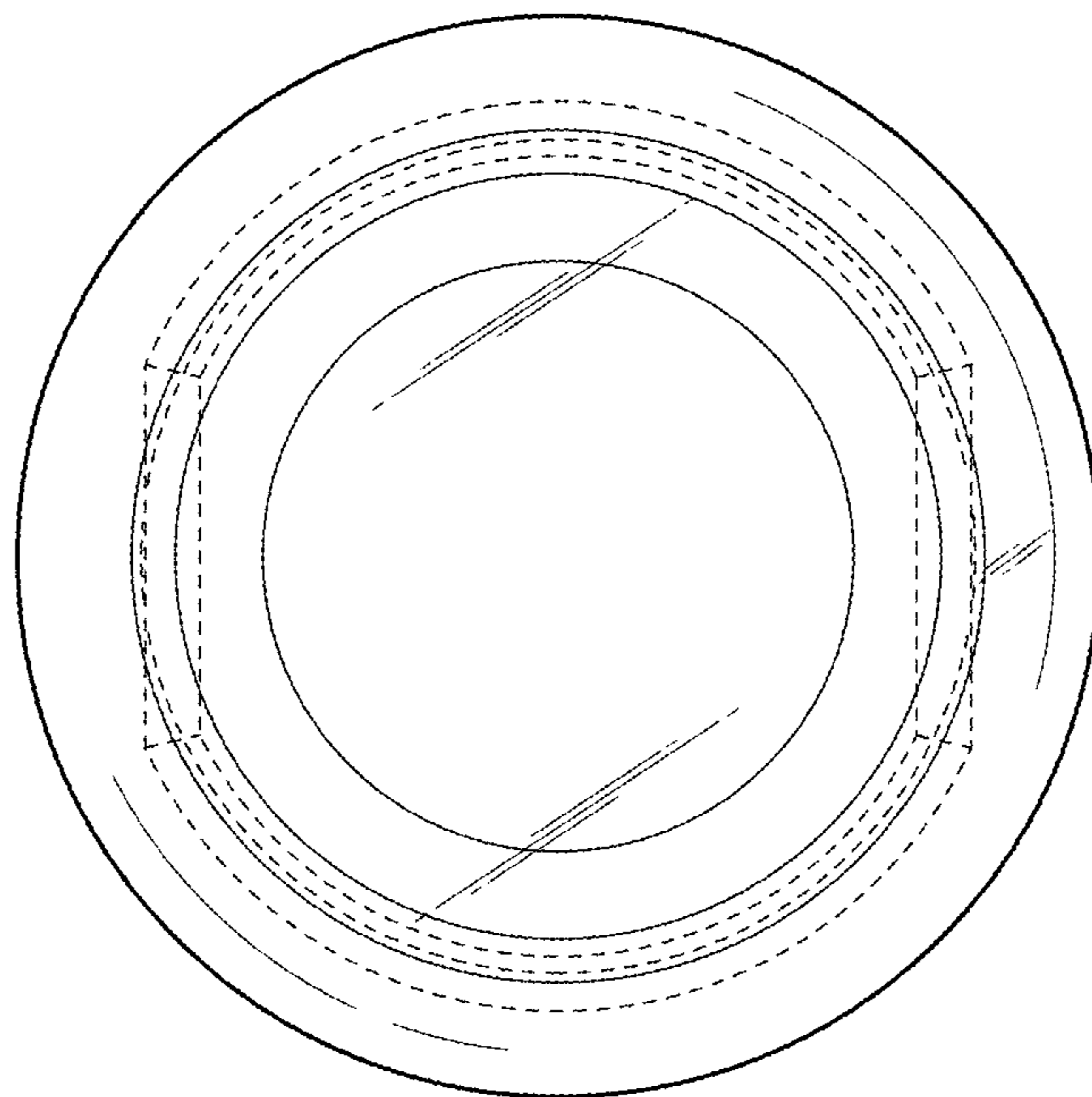


FIG. 7